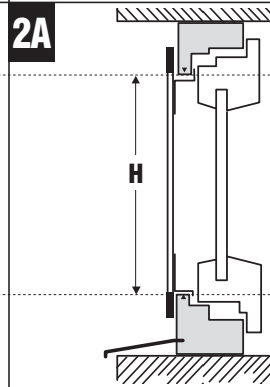
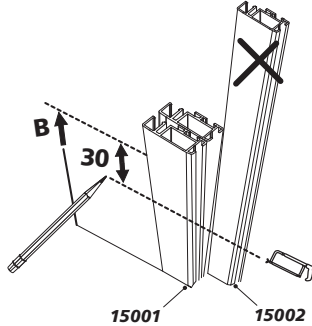
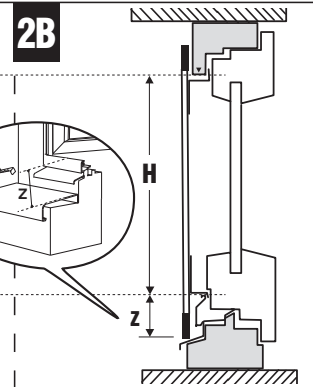
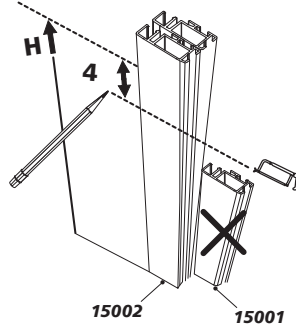


**B-30 mm =**



**H-4 mm =**



**H+z-27 mm =**

