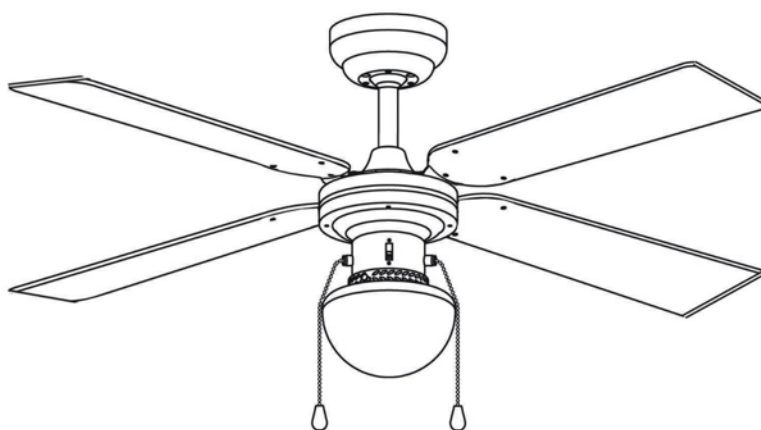


# GLOBO

FAN 0330

[www.globo-lighting.com](http://www.globo-lighting.com)

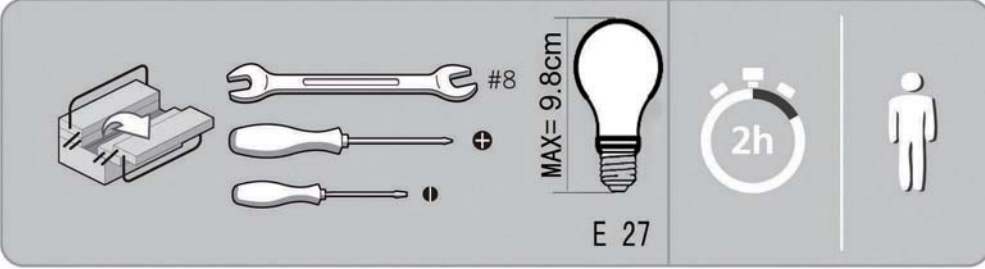
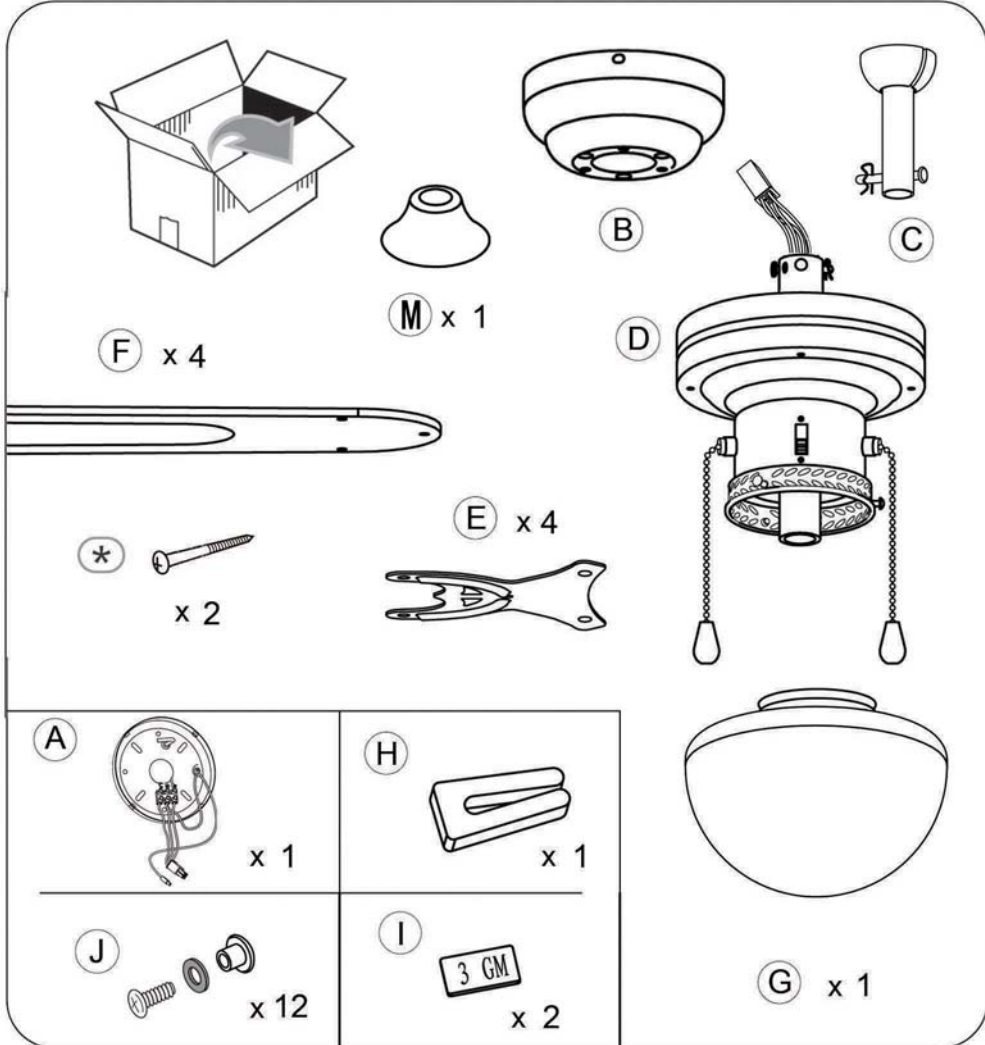


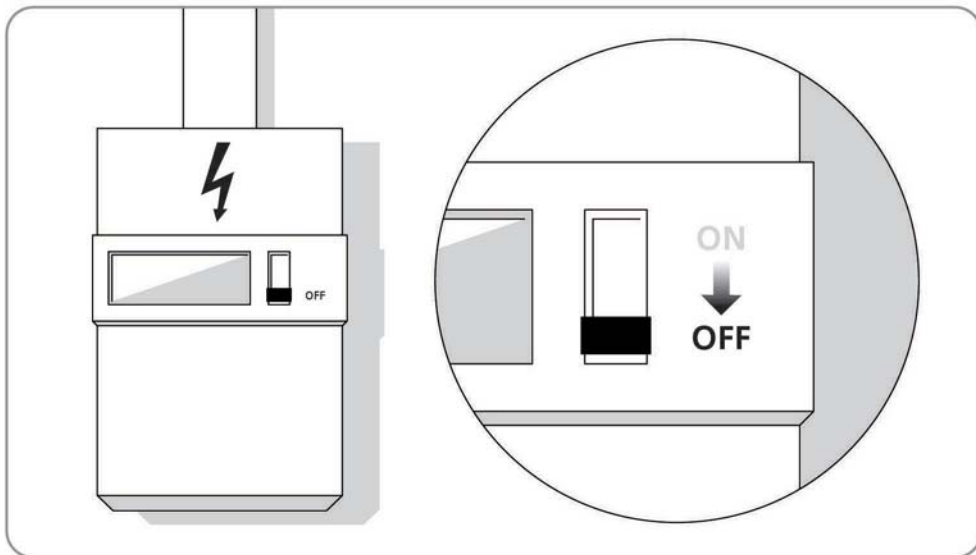
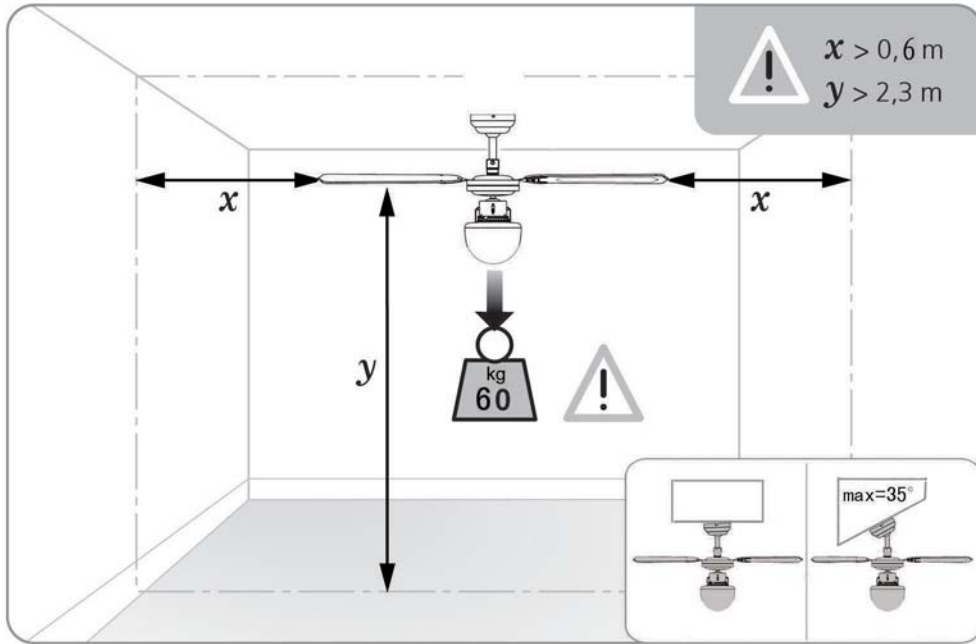
**GLOBO Handels GmbH**

St. Peter 38  
A-9184 St. Jakob/Rosental

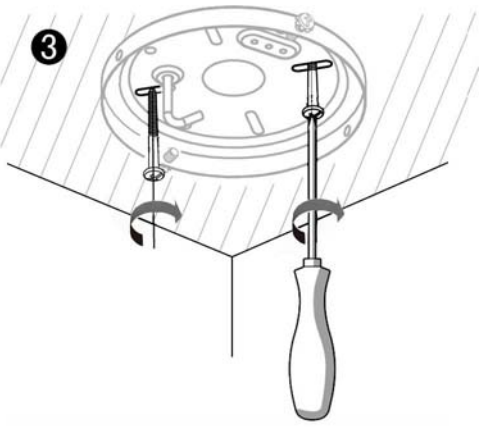
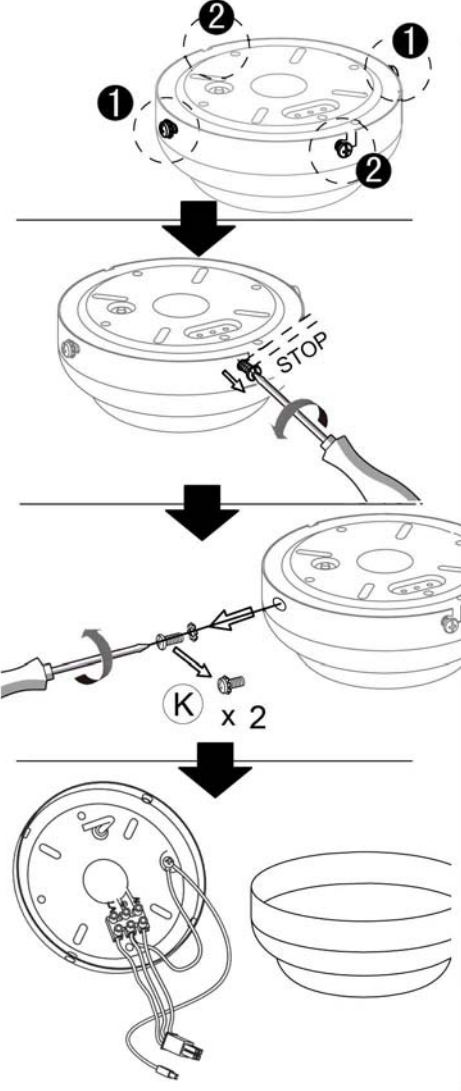
LHB42+1SCH  
INPUT: 220-240V~50Hz  
MOTOR: 50W  
BULB: 1 x max 60W E27 excl.







1

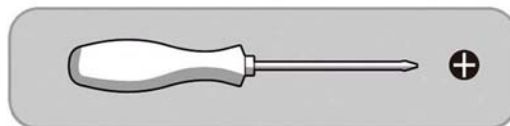
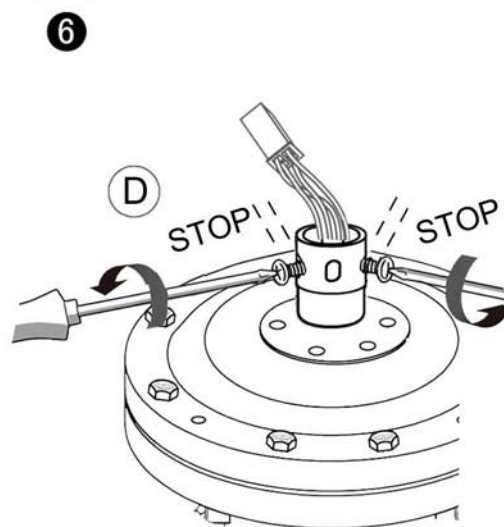
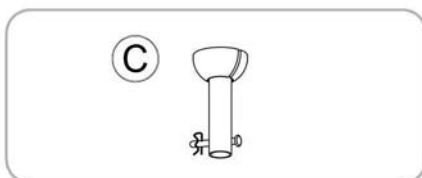
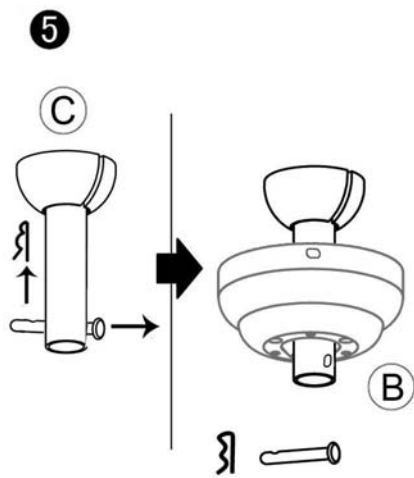
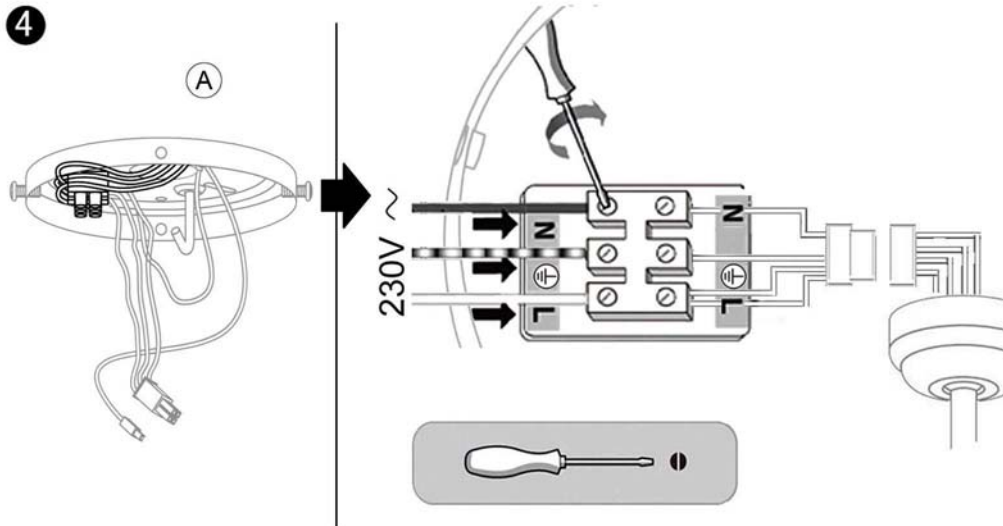


\* x 2

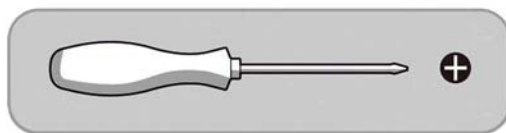
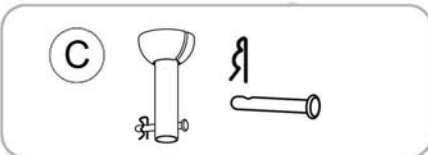
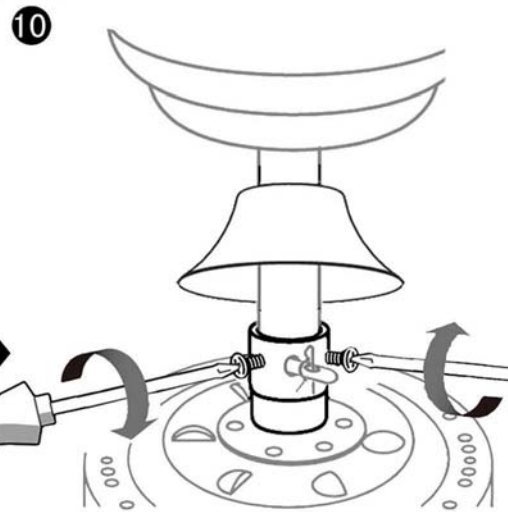
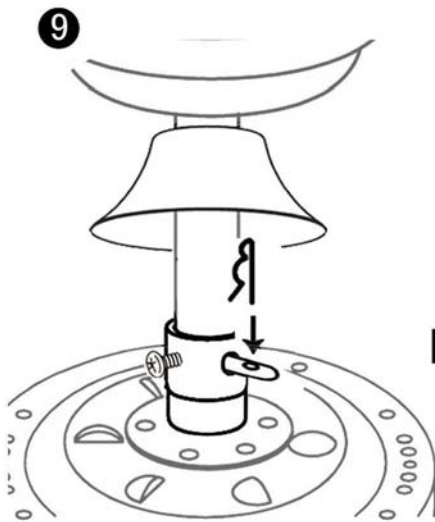
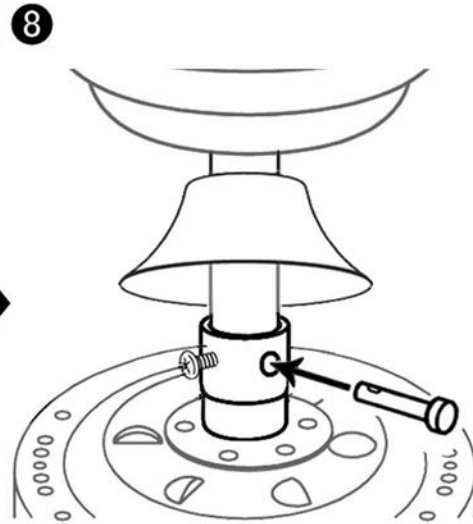
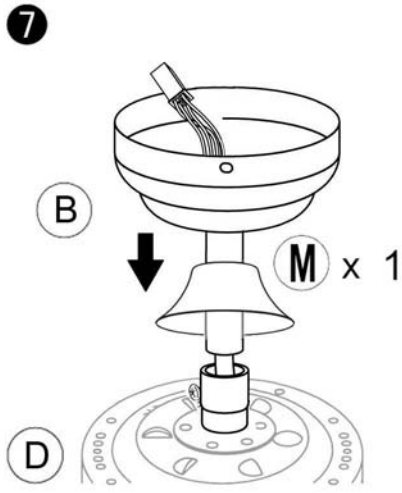
+ +

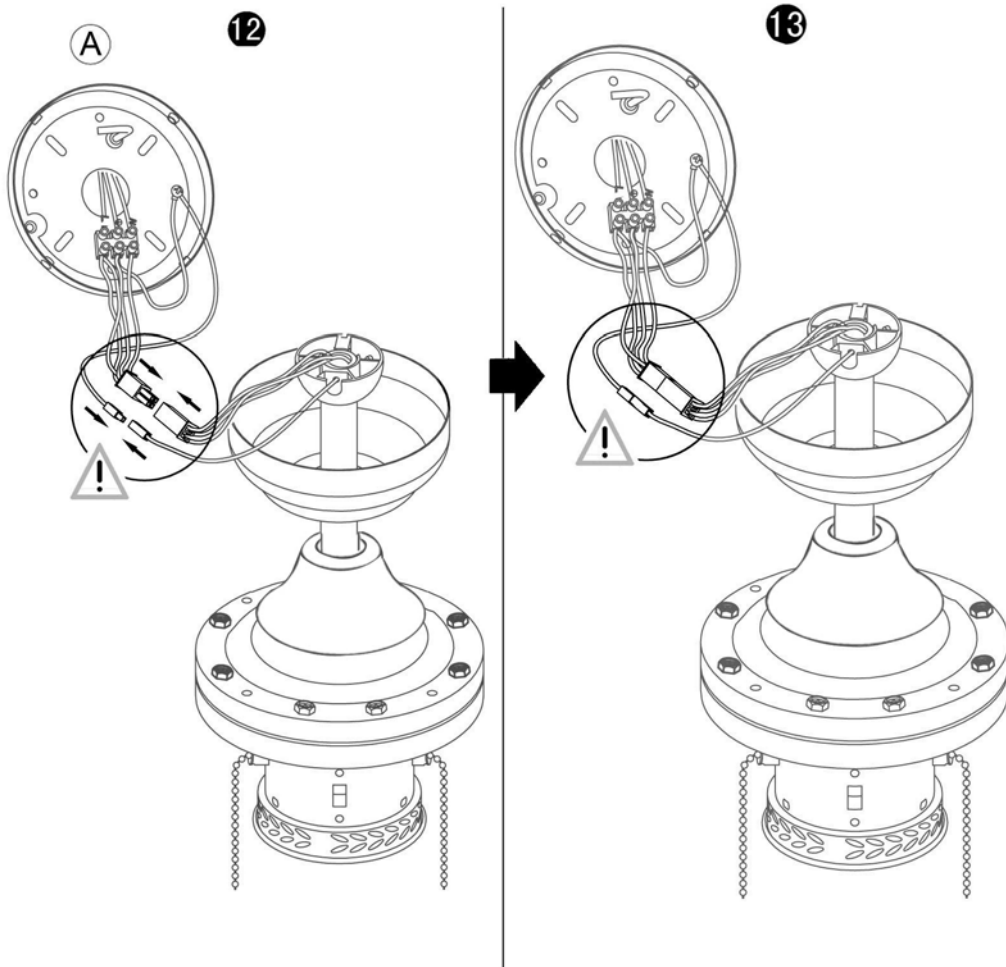
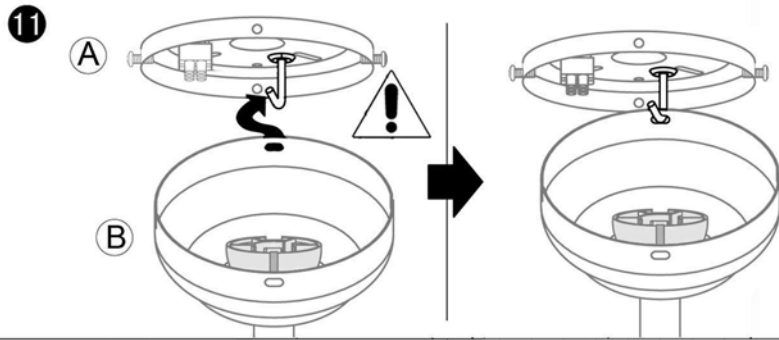
A x 1

+ +



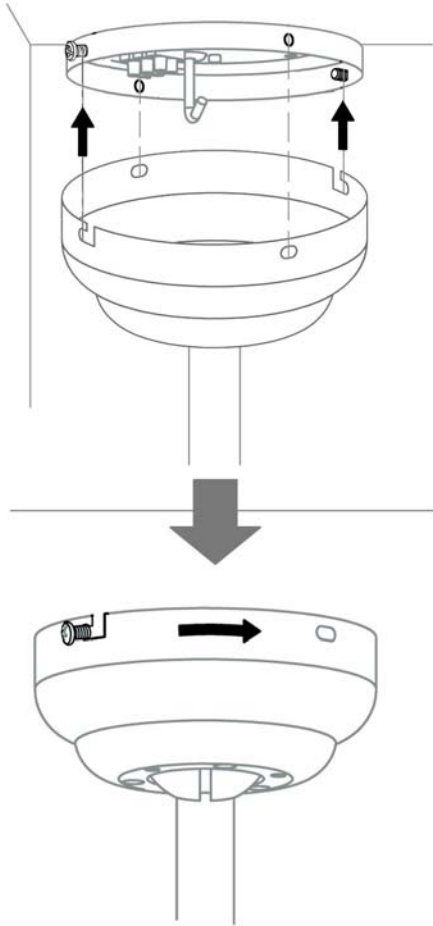
# 3



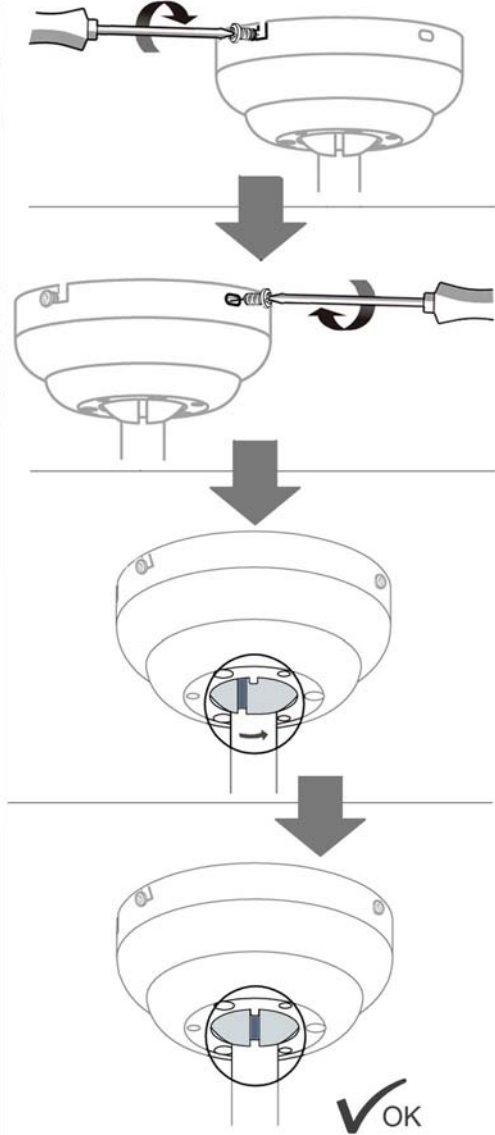


5

14



15



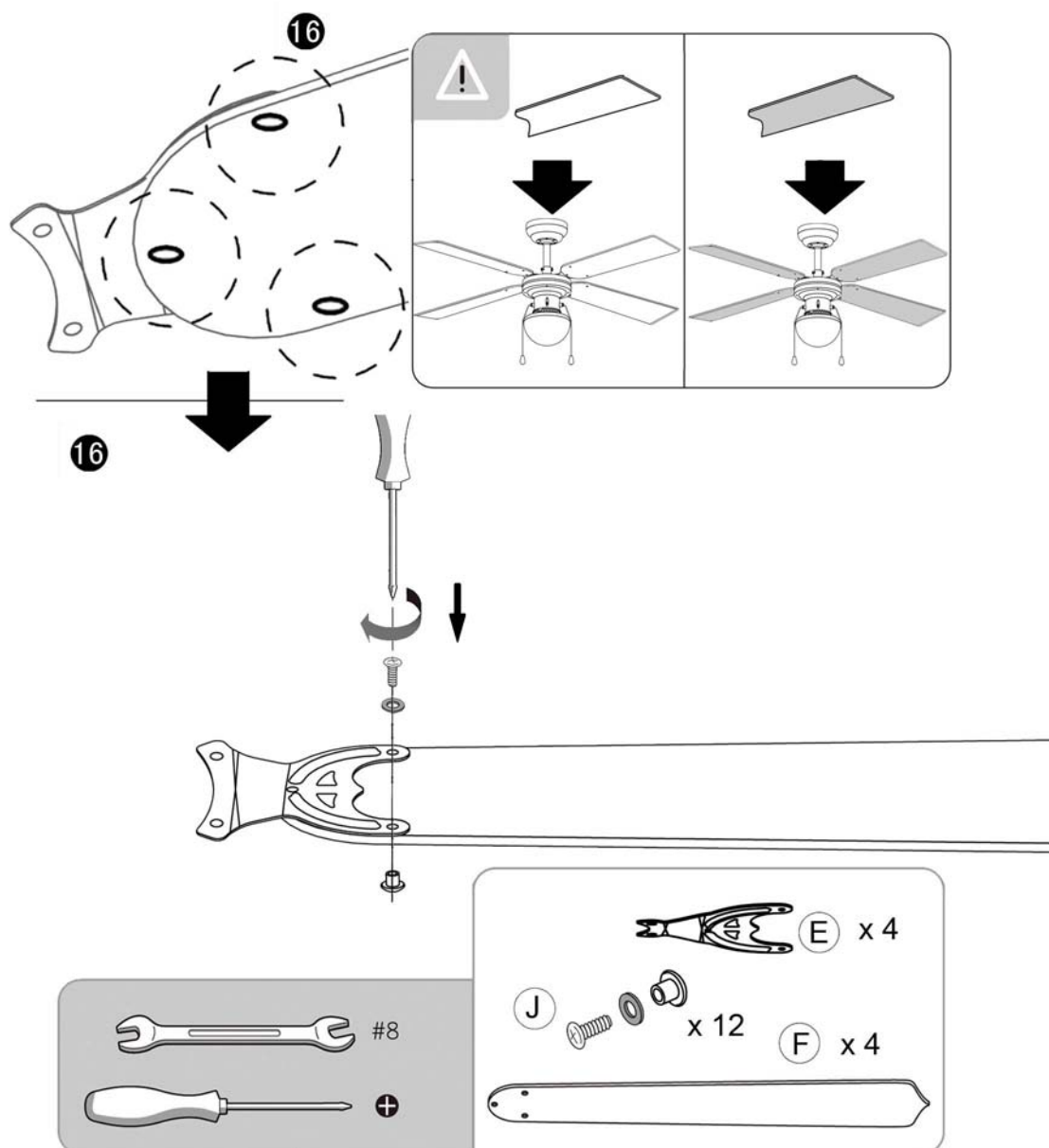
+

(K)

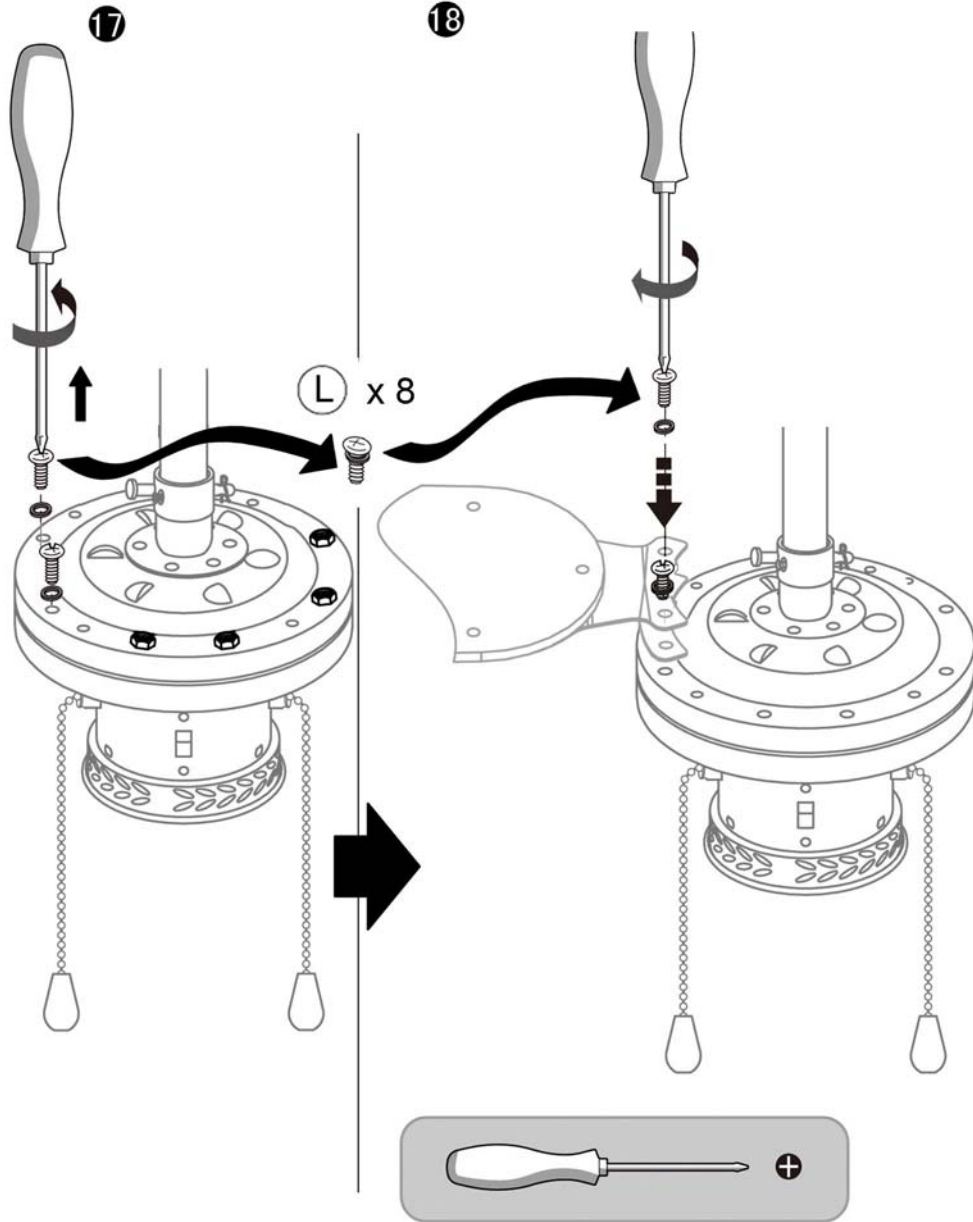


x2

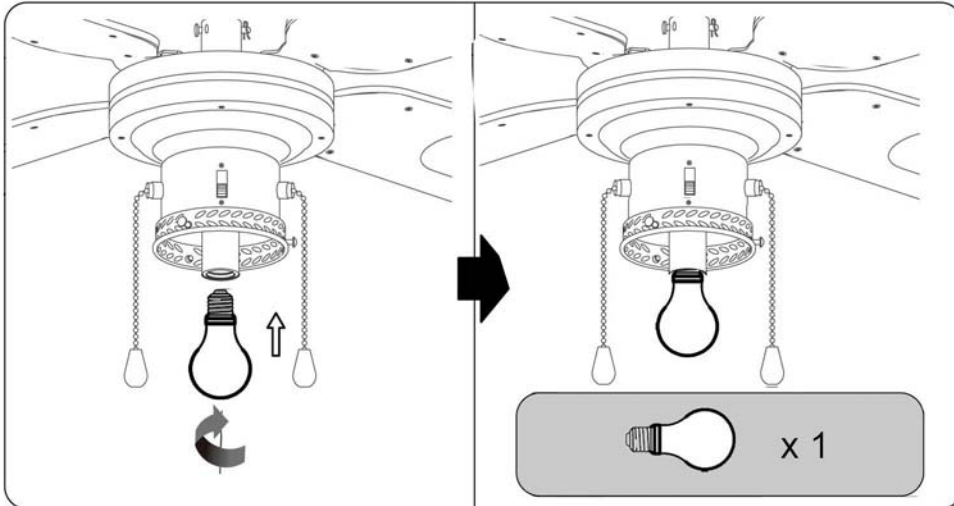




7



19



20

