

CEILING FAN

INSTALLATION INSTRUCTIONS

MODEL: UR42-5ZM-3L

CAREFULLY READ THESE INSTRUCTION BEFORE MOUNTING THE FAN.

KEEP ORIGINAL CARTON AND STYROFOAM AS WARRANTY REPAIR AND SERVICE WILL NOT BE CARRIED OUT UNLESS THE FAN IS RETURNED IN COMPLETE ORIGINAL PACKING.

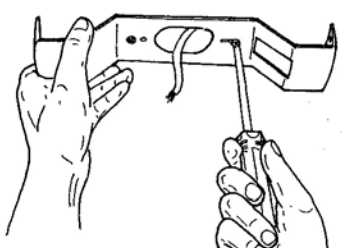
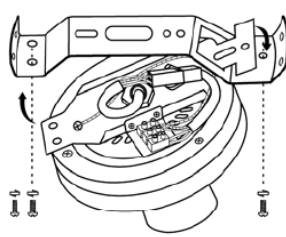
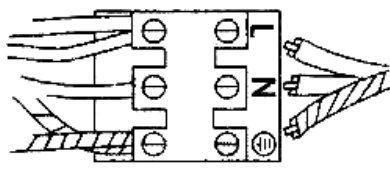
SAFETY PRECAUTIONS

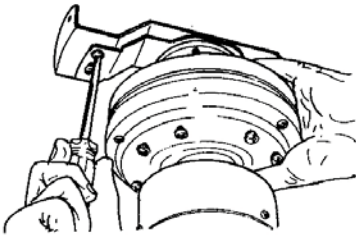
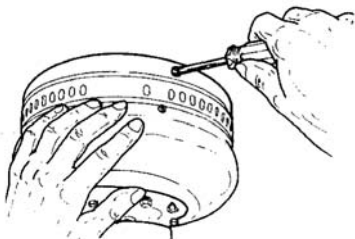
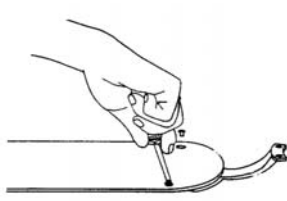
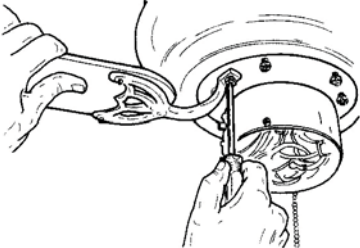
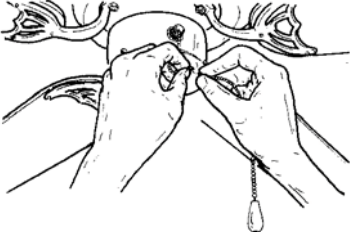

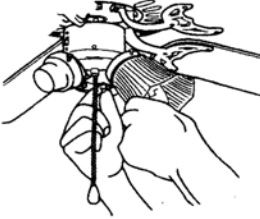
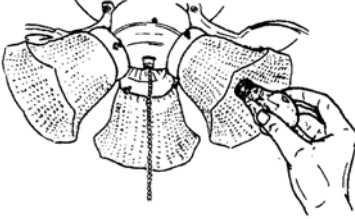
1. Never attach the fan to a power point, but to the ceiling itself.
2. The minimum distance between the blades of the fan and the floor must be 2.3m. The minimum carrying capacity of the hook from which the fan is hung must be 100kg.
3. Make sure to install all poles disconnection switch having a contact separation of at least 3mm between poles in the supply wiring to the ceiling fan.
4. The model and type reference of luminaries that may be installed in fans that are constructed for this purpose.
5. Switch off the power before connecting or repairing the fan.
6. The electrical wiring must be in accordance with the local regulation.
7. The fan must be properly grounded to avoid the risk of electric shocks.
8. Never mount the fan in a moist or wet room.
9. Be careful when working near the rotating blades.

CAUTION

Always have your fan installed by someone who is knowledgeable about electrical wiring.

FAN INSTALLATION ILLUSTRATION

		
<p>1. Locate and mark the centre of the joist, pass the supply wires through the hole in the supporting bar, secure to the ceiling joist by using the spring washers, flat washers, and the 50mm wood screws.</p>	<p>2. Use the square hole at one end of the supporting bar to hang fan on the hook of the hanger.</p>	<p>3. Connect the wires from the earthed mains supply to the terminal block.</p>

 <p>4. Match the three holes at both ends of the supporting bar with the three screws of the hanger. Secure the fan assembly onto the supporting bar using screws and washers.</p>	 <p>5. Remove the four screws from the supporting bar (two on each side), offer up the motor housing and align the holes, secure using the four screws.</p>	 <p>6. Assemble the blade holders to each blade with three screws, spring washers, flat washers and nuts. Ensure all three screws tighten each blade.</p>
 <p>7. Fasten the blade assembly to the motor with the screws and spring washers already attached to the motor.</p>	 <p>8. Attach the two pull cords, ensure that the pull cord retaining clips supports the cord.</p>	 <p>9. Insert switch housing onto cover by tightening 3 screws and washers.</p>
 <p>10. Install the glass shade onto the switch housing by tightening the three thumb screws. CAUTION: Do not use pliers to tighten the thumbscrews. Over tightening of the thumb screws may crack the glass shade and cause dangers.</p>	 <p>11. Install light bulbs (Max. 60w, not supplied) to the lampholders. Switch the power on to check the operation of the light kit and fan.</p>	

OPERATING YOUR FAN

TURN ELECTRICITY ON BEFORE THE FAN START TO WORK.

- The operation and the lighting of the fan.**
 The fan start to operate when pulling the Three-speed Switch connected by an extension chain on the motor housing.
 Pulling the "ON/OFF" Light Switch connected by an extension chain on the motor housing can control the turning on or off of the light.
- The fan can be in different speeds as pulling the Three-speed Switch.**
 The first pulling - HIGH SPEED The third pulling - LOW SPEED
 The second pulling - MEDIUM SPEED The fourth pulling - OFF
- The switch on motor housing for controlling the fan blades rotating direction controls the direction of air movement:**
 In the cold weather: Push the switch "UP" so that the blades will bring the warm air trapped near the ceiling fan to move downwards throughout the room.
 In the hot weather: Push switch "DOWN" so that the blades will create a breeze and circulate the air to the room.

Note: Do make sure that the fan stops operating before using the Direction Switch. In order to prevent any damage to the motor or injury to you, the switch should stay at the UP or DOWN position when the fan is working.