



Safety Instructions

0,1,2,4,6,7,11,12,13
15,18,22,27

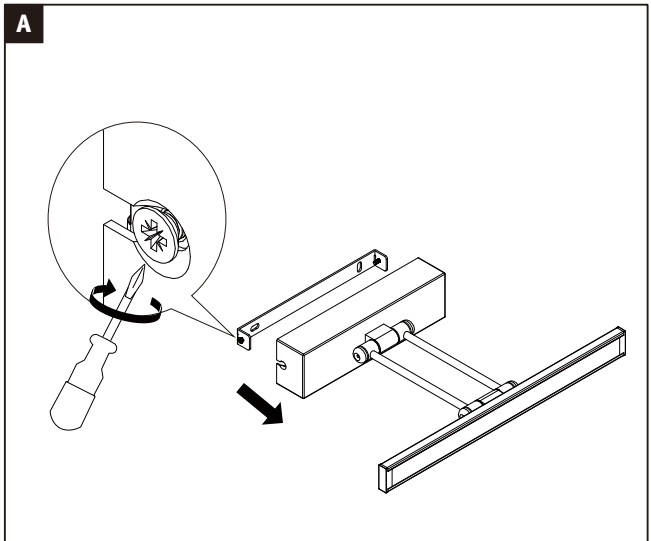
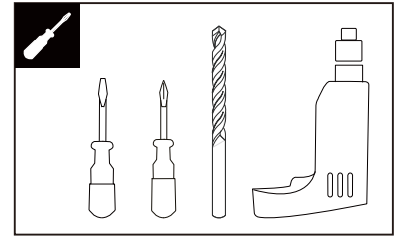
Info Hotline

+49 (0) 5041 998 389
Mon.-Do. 7⁰⁰-20⁰⁰
Fr. 7⁰⁰-17⁰⁰

Paulmann Licht GmbH
Quezinger Feld 2
31832 Springe
Germany
www.paulmann.com

Art.-Nr.: 998.88/998.89/998.90/998.91/998.92/998.93/998.94/998.95/998.96 (+MA173) PSU 12/15

998.90/998.93/998.96 1x	998.89/998.92/998.95 1x	998.88/998.91/998.94 1x	 Incl.
--------------------------------	--------------------------------	--------------------------------	-----------

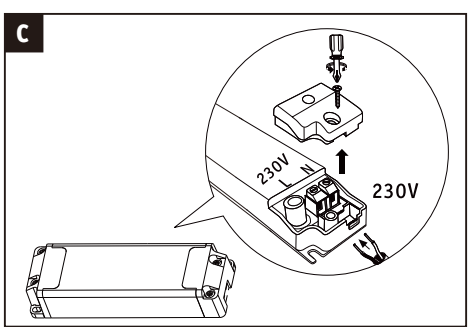


B **Safety Instructions**
Nr. 0,1,2

a.

b.

c.



D1 D2 **Nr. 0,1,4**

7 mm
14 mm

230V~

L N

D1 D2

230V~

