




Safety Instructions




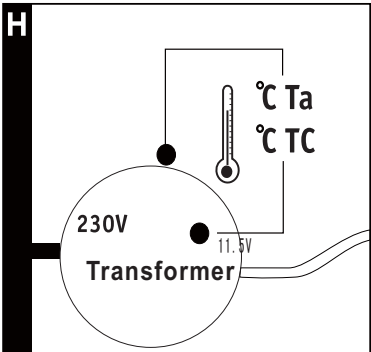
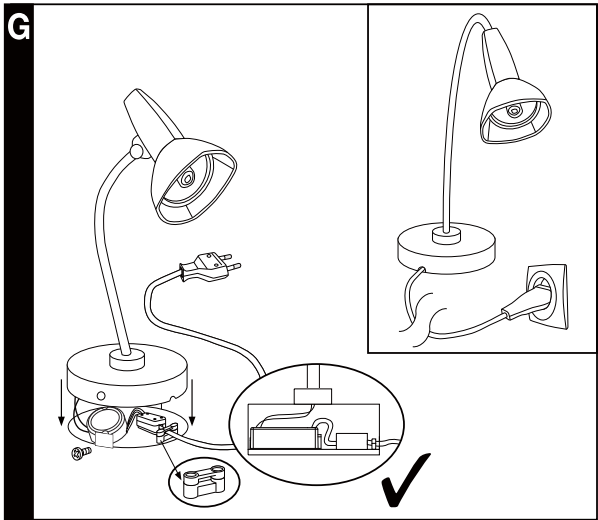
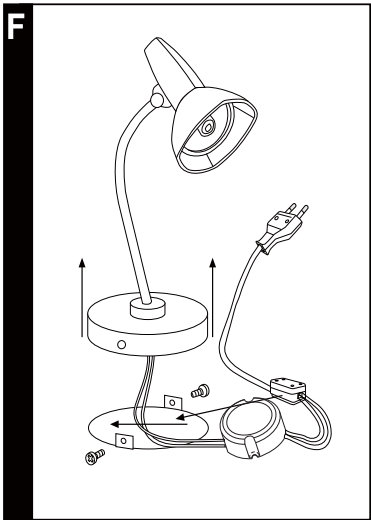
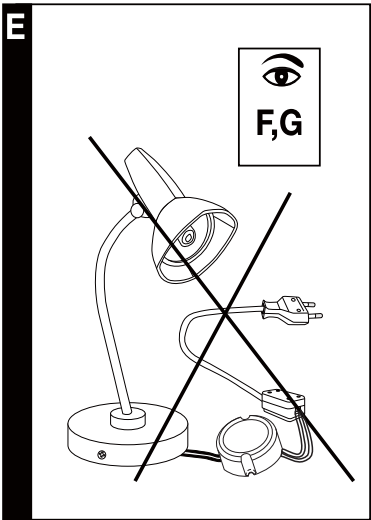
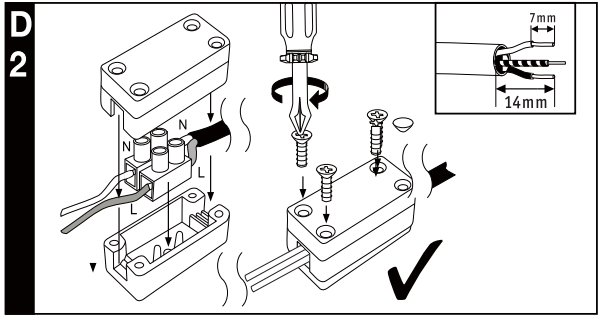
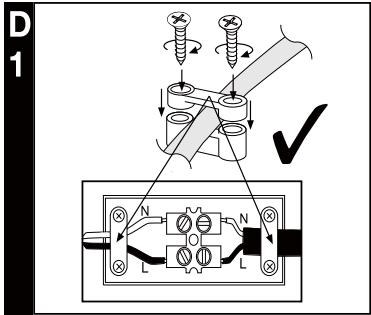
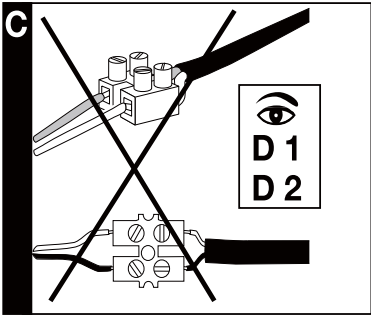
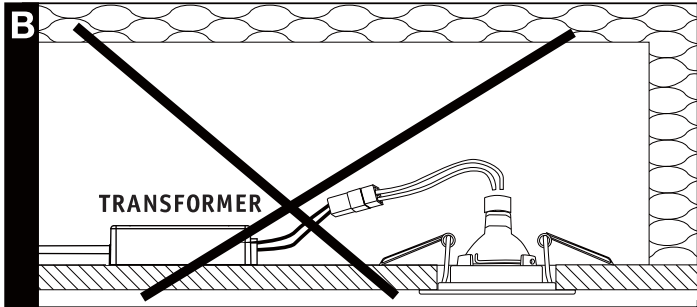
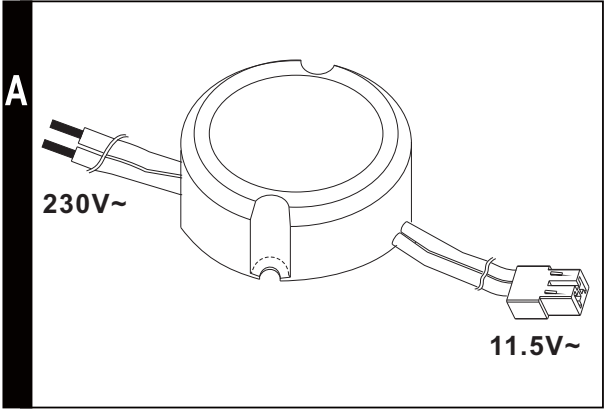
1, 2, 3, 4, 5, 6, 7,
9, 11, 12, 13, 14, 15,
16, 17, 18, 19, 21, 22,
23, 25, 28, 30, 31, 34,


Info Hotline  +49(0)5041 998 389
 Mon.-Do. 7⁰⁰-20⁰⁰
 Fr. 7⁰⁰-17⁰⁰


Paulmann Licht GmbH
 31832 Springe/Germany
 www.paulmann.com


Art.-Nr.:
 977.28
 977.29


(+MA 197)
 PDG 11/15 



 SAFETY INSTRUCTIONS
 Nr.28a/b!!

 SAFETY INSTRUCTIONS
 Nr.28a !!

 97728,70VA:Ta=50°C
 97729,105VA:Tc=50°C

 97728,70VA:Tc=80°C
 97729,105VA:Tc=80°C