

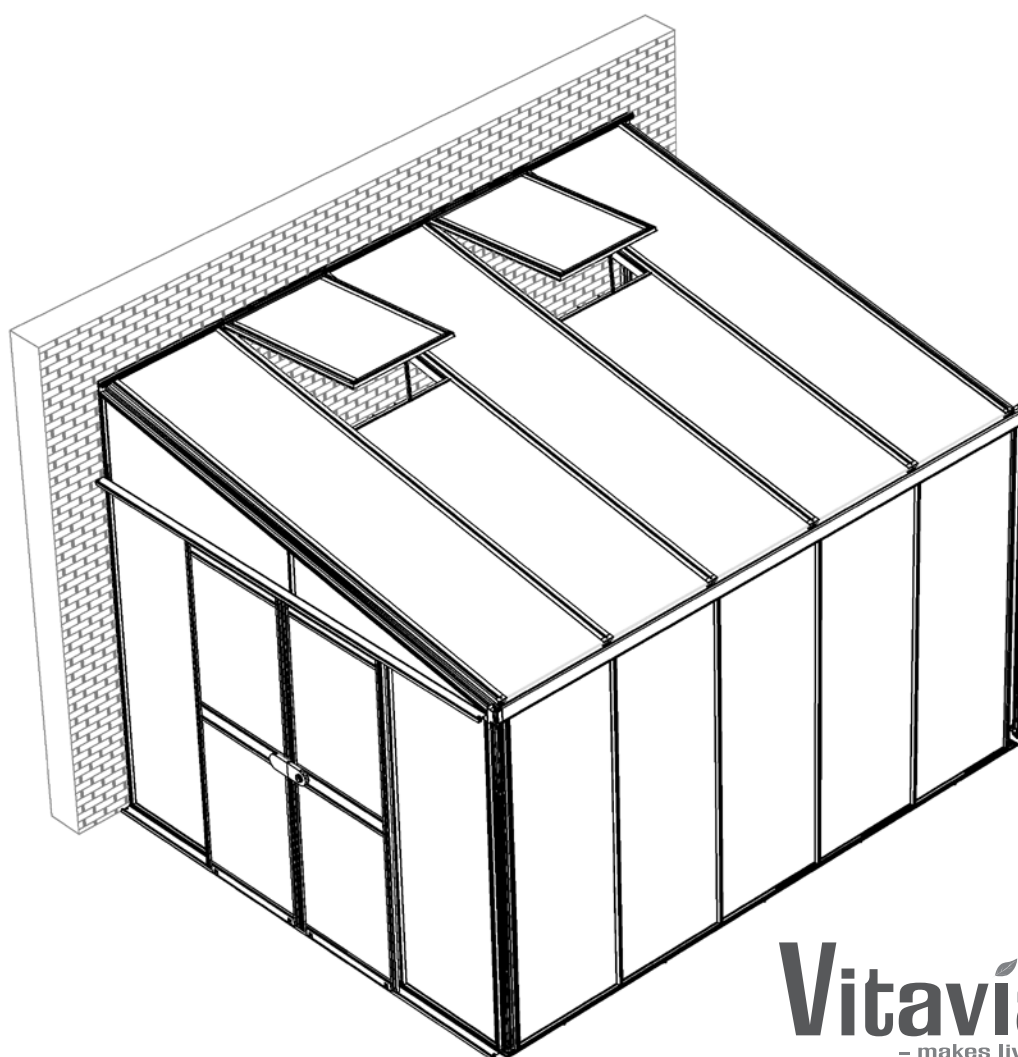
(EN) **Assembly instructions**

(DE) **Montageanleitung**

(DA) **Montagevejledning**

(NL) **Montage Instructies**


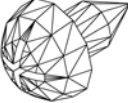


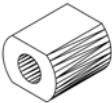

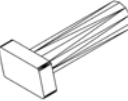
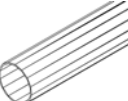
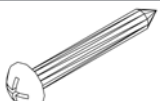
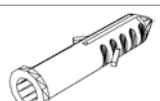
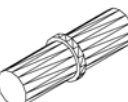

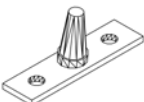



(SV) **Monteringsanvisning**

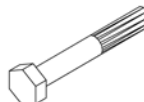
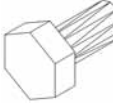



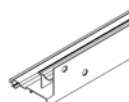


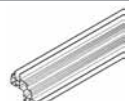
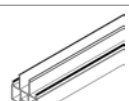
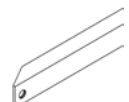
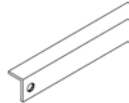

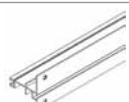





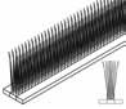


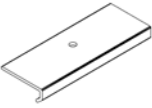
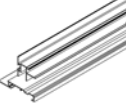

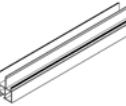


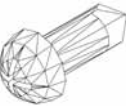


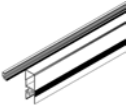

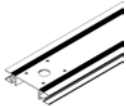
**Vitavía**  
- makes living grow

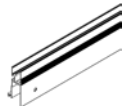

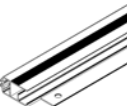
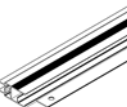



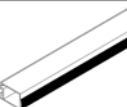




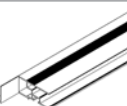
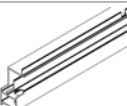
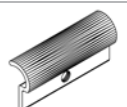

---

**HELENA / ATHENE**  
**7000, 8600, 10200, 11900**

Item No.	Part	Sect. Ref.	Size mm	Quantity			
				7000	8600	10200	11900
1002		8	M6	2x	2x	2x	2x
1006		4b 5 8	3.5x6	8x	14x	14x	20x
1402		8	36	2x	2x	2x	2x
1403		8	20	2x	2x	2x	2x
1405		8	15	2x	2x	2x	2x
1409		8	20	2x	2x	2x	2x
1412		8	M6x22	2x	2x	2x	2x
1415		8	1750	2x	2x	2x	2x
2002		6b	4.2x38	2x	2x	2x	2x
2003		6b	Ø 8	2x	2x	2x	2x
2271		6a	37	4x	4x	4x	4x
3002		8	M6	2x	2x	2x	2x
6056		4b	47	2x	4x	4x	6x
6070		5 8	Ø 13.5	192x	210x	224x	242x
6090		7b	57000 61000 66000 70000	1x - - -	- 1x - -	- - 1x -	- - - 1x
7048		4b	M6x80	2x	4x	4x	6x





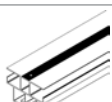
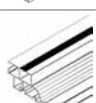
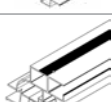
Item No.	Part	Sect. Ref.	Size mm	Quantity			
				7000	8600	10200	11900
7050		1 2 3 7b	M6x42	85x	90x	95x	100x
7052		1-8	M6x12	93x	102x	107x	116x
7053		1-8	M6	192x	210x	224x	242x
7055		4b	M6x10x14	2x	4x	4x	6x
7090		5	324	1x	2x	2x	3x
7301		2	2603.7	1x	1x	1x	1x
7302		3	2603.7	1x	1x	1x	1x
7304 7305 7306 7307		1	2659 3288 3917 4546	1x - - -	- 1x - -	- - 1x -	- - - 1x
7310		1	1801	2x	2x	2x	2x
7311		1 2 3	1801	8x	9x	10x	11x
7312		1	1915	2x	2x	2x	2x
7313		2 3	1911.5	2x	2x	2x	2x
7314 7315 7316 7317		1	2586 3215 3844 4473	1x - - -	- 1x - -	- - 1x -	- - - 1x
7321		2	2537.7	1x	1x	1x	1x
7322		3	2537.7	1x	1x	1x	1x
7324 7325 7326 7327		7a	2586 3215 3844 4473	1x - - -	- 1x - -	- - 1x -	- - - 1x

Item No.	Part	Sect. Ref.	Size mm	Quantity			
				7000	8600	10200	11900
7331		4b	218	3x	4x	5x	6x
7332		6a	9000 x 10	1x	1x	1x	1x
7334 7335 7336 7337		4a	2654 3283 3912 4541	1x - - -	- 1x - -	- - 1x -	- - - 1x
7342		7a	45	2x	2x	2x	2x
7343		7a	56	3x	4x	5x	6x
7344		2	2310	1x	1x	1x	1x
7345		3	2310	1x	1x	1x	1x
7346		4a	224.5	1x	1x	1x	1x
7347		4a	224.5	1x	1x	1x	1x
7348		4a	93.5	4x	4x	4x	4x
7349		7a 8	3.9x10	14x	18x	21x	25x
7350		6a	20	4x	4x	4x	4x
7351		6b	2548	1x	1x	1x	1x
7352		6a	653	1x	1x	1x	1x
7353		6a	653	1x	1x	1x	1x
7354		6a	574	1x	1x	1x	1x

Item No.	Part	Sect. Ref.	Size mm	Quantity			
				7000	8600	10200	11900
7355		6a	574	2x	2x	2x	2x
7356		6a	1828	2x	2x	2x	2x
7357		6a	1828	1x	1x	1x	1x
7358		6a	1828	1x	1x	1x	1x
7359		8	2548	1x	1x	1x	1x
7360		6a	M6	4x	4x	4x	4x
7361		6b	1796	2x	2x	2x	2x
7362		6b	1222	1x	1x	1x	1x
7363		6b	1217	1x	1x	1x	1x
7364		6a	Ø 32	4x	4x	4x	4x
7365		5	598	1x	2x	2x	3x
7366		5	598	1x	2x	2x	3x
7367 (7391)		5	890	2x	4x	4x	6x
7368		4b	593	1x	2x	2x	3x
7369		8	30	2x	4x	4x	6x
7370		8	71.35	1x	1x	1x	1x

Item No.	Part	Sect. Ref.	Size mm	Quantity			
				7000	8600	10200	11900
7371		8	71.35	1x	1x	1x	1x
7372		7b	1819	8x	9x	10x	11x
7373		7b	1819	4x	4x	4x	4x
7374		7b	1819	2x	2x	2x	2x
7375		7b	462	1x	1x	1x	1x
7376		7b	462	1x	1x	1x	1x
7377		7b	2581	1x	1x	1x	1x
7378		7b	2581	1x	1x	1x	1x
7379		7b	240	1x	1x	1x	1x
7380		7b	240	1x	1x	1x	1x
7381		7b	618	10x	11x	12x	13x
7382		7b	618	10x	11x	12x	13x
7384		6a	574	1x	1x	1x	1x
7390		6b	M6x30	4x	4x	4x	4x
7391 (7367)		5	890	2x	4x	4x	6x
7392		6a	Ø 5/3	8x	8x	8x	8x

Item No.	Part	Sect. Ref.	Size mm	Quantity			
				7000	8600	10200	11900
7393		6a	M6x31	4x	4x	4x	4x
7395		4a 4b	Ø 12/6.5	5x	6x	7x	8x
7396		1 2 3 4a	16200 16800 17400 18100	1x - - -	- 1x - -	- - 1x -	- - - 1x
7399		4b	M6x12	12x	16x	20x	24x
7400		6a	123	1x	1x	1x	1x
7401		6a	123	1x	1x	1x	1x
7402		6a	60	1x	1x	1x	1x
7404		6a	M4x10	8x	8x	8x	8x
7405		6a	M4x25	4x	4x	4x	4x
7407		7b	30	10x	11x	12x	13x
7409		7b	30	8x	8x	8x	8x
7411		4a	3.8 x 80	12x	13x	14x	15x
7412		4a 4b	3.8 x 60	14x	15x	16x	17x
7414 7415 7416 7417		4a	2654 x 15 3283 x 15 3912 x 15 4541 x 15	1x - - -	- 1x - -	- - 1x -	- - - 1x
7420		6a	12000	1x	1x	1x	1x
7421		4a	Ø6 X 80	12x	13x	14x	15x

Item No.	Part	Sect. Ref.	Size mm	Quantity			
				7000	8600	10200	11900
7422		4a 4b	Ø6 X 60	14x	15x	16x	17x
7423		7a*	30	3x*	3x*	4x*	4x*
7424		7a	592	4x	5x	6x	7x
7425		7a	592	4x	5x	6x	7x
7427		4b	2583	3x	4x	5x	6x
7428		4a	2590	1x	1x	1x	1x
7429		4a	2590	1x	1x	1x	1x

# Safety Warning

- PLEASE READ THESE INSTRUCTIONS CAREFULLY AND COMPLETELY BEFORE ASSEMBLING YOUR GREENHOUSE.
- Sharp edges and corners can cause injury. Always wear protective glasses, gloves, shoes and headgear when handling the aluminium profiles, glass and polycarbonate sheets. Broken glass is a safety hazard – always clear up immediately and dispose of with care.
- The product you have purchased is intended **only** for the growing of plants and should **only** be used for this purpose. When used for other purposes we will take no responsibility.
- It is recommended that this greenhouse is assembled by two people.
- When using a step ladder one person should steady it at all times whilst the other works.
- Should you encounter difficulties constructing this house or in positioning the polycarbonate sheets, please contact your retailer  
– **do not use force!**
- The green house must always be anchored.

## Assembly Instructions

### SITE SELECTION

Always try to select a sunny location, sheltered from the wind as much as possible.

### IMPORTANT

Before assembling your new greenhouse, please check that all parts in the provided list are included. Please take each bundle out of the packaging in order to identify the parts better.

It is important that the opened bundles do not get mixed with one another.

If something is missing please contact your retailer.

**Note** - The UV-resistant side of the polycarbonate panes is indicated by a plastic folio or printing at the edge. **This side must face outside.**

In order to seal the greenhouse effectively it is suggested that you apply neutral silicone as shown in diagrams (4b.3), (4b.4), (7a.7) and (7a.9). Silicone is provided for this purpose.

### NECESSARY TOOLS

Screw drivers (Normal and Crosshead PH2)  
Rubber Hammer  
2 x 1.8m ladder  
10 mm socket spanner or wrench  
10 mm combination spanner  
Craft knife  
Measuring stick  
Spirit level  
Accu-drill with adjustable torque

### MAINTENANCE

The greenhouse should be thoroughly washed with a gentle detergent occasionally. Please check that the detergent used does not react aggressively with aluminium or plastic.

Ensure that the door tracks are cleaned regularly to avoid a buildup of debris.

### 0. FOUNDATION

**Important!** The foundation must be exactly right angular and level. To achieve this you will require a spirit level and a right angle.

**Note** - If the distance between the two opposite corners is the same then the foundation is right angular.

For the erection of this greenhouse we suggest a solid foundation constructed from concrete, brickwork or stonework. If you have no experience with the construction of such a foundation please consult a company specialising in this work. Materials and tools for the preparation of the suggested foundation are not provided.

The suggested foundation allows the door to be assembled on any side of the greenhouse.

Foundations must extend down below the frost level.

**Diagrams in a single frame show the view from inside the greenhouse. Those enclosed in a double frame show the view from outside the greenhouse.**

### 1. FRONT ELEMENTS

**Note** - If the door will be assembled in the front of the house remove one of the middle bars (7311)ⓐ.

Push seal (7396) into the sill bar (7304 - 7307) and cut to fit both ends (1.1) (1.2).

Lay all of the parts, according to the model, on the floor and loosely connect by inserting bolts (7052) into the bolt channels. Take care that the eave angles (7314 - 7317) are pushed into the corner of both corner bars (7310) (1.3) (1.4) and that corner bars (7310)

and middle bars (7311) sit correctly on the assembly edge on the eave angle (1.9) (1.12).

Assemble diagonal bars (7312) on both sides (1.3) (1.4) (1.10) (1.11). At the sill loosely attach using bolt (7050). (7050) will be removed during glazing (section 7b).

### 2. PLAIN GABLE END

**Note** - If the door will be assembled on this side of the house remove middle bar (7311)ⓐ.

Push seal (7396) into sill bar (7301) and wall bar (7344) and cut to fit the ends (2.1) - (2.4).

Lay all of the parts on the floor and loosely connect by inserting bolts (7052) into the bolt channels.

Assemble end bar (7321) into the recess in wall bar (7344) (2.5) (2.6) and then (7344) onto sill bar (7301) (2.7) (2.8).

Assemble middle bars (7311) (2.9) (2.10), noting the assembly edge on the eave angle (1.9).

Assemble diagonal bar (7313) (2.5) (2.11) (2.12). At the sill loosely attach using bolt (7050). (7050) will be removed during glazing (section 7b).

### 3. DOOR GABLE END

**Note** - If the door is to be assembled on another side then assemble the (7311)ⓐ, which was previously removed, in position ⓐb.

Assemble all parts as in Section 2.

### 4a. CONNECTING THE SIDE ELEMENTS

(4a.1) shows the 4a assembly if the door is to be in the front of the house.

Push seal (7396) into the ridge bar (7334 - 7337) and cut to fit the ends. Check that seal (7414 - 7417) is correctly inserted into the guide in the ridge bar. (4a.2) (4a.3).

Loosely prepare bolts (7052) and nuts (7053)

in sill bars (7301) and (7302) as shown in (4a.4). Lower corner bars (7310) fitting the bolt heads of (7052) into the bolt channels of (7310) (4a.5).

Connect end bars (7321) and (7322) to corner bars (7310) ensuring they are pushed against the eave angle bar (4a.6).

Assemble roof corner bars onto the eave angle (4a.7) (4a.8). Ensure that the roof corner bars sit correctly on the assembly edge on the eave angle (4b.5) and that the small holes on the outside of (7428 / 7429) are at the eave end (4a.7).

Assemble the ridge bar (7334 - 7337), roof corner bars (7428) (7429) and wall bars (7344) (7345) (4a.9) (4a.10) using plate (7348).

Assemble end middle bars (7346) (7347) to the end bars and the roof corner bars using plate (7348) (4a.11).

Position the assembled frame against the wall on the prepared foundation, check that it is level and drill Ø6 holes through the prepared holes in (7301), (7302), (7304 - 7305), (7344) and (7345) on the wall and foundation.

Insert wall plugs (7421) or (7422) into the holes and connect loosely to the foundation and wall using screws (7411) and (7412) (4a.12).

#### 4b. ROOF MIDDLE BARS

Loosely prepare (7052) and (7053) in the ridge bar and slide middle bars (7427) into position fitting the bolt heads of (7052) into the bolt channels of (7427) (4b.1) (4b.2).

Insert (7052) into the bolt channel in (7427) at the eave and lower onto the eave angle using washer seal (7395) and nut (7053) (4b.3) (4b.4). Ensure that (7427) sit correctly on the assembly edge on the eave angle (4b.5) and that the small hole on the outside of (7427) is at the eave end.

Drill Ø6 holes through the prepared holes in (7334 - 7337). Insert wall plugs (7422) into the holes and loosely connect the ridge bar to the wall using screws (7412) (4b.6).

Adjust the frame until it is completely right angular and tighten all screws (7411) and (7412) and nuts (7053). **Please do not over tighten.**

Connect roof vent fixers (6056) onto the roof vent sill bars (7368) using screws (1006) (4b.7) (4b.8).

Assemble completed sill bars (7368) in the desired sections where the roof vents will later be positioned. Insert cross dowel (7055) into sill bar (7368) and bolt (7048) through roof middle bars (7427) (4b.9) (4b.10).

**(Note - Roof vents cannot be positioned in the corner roof sections and must have at least one complete section between them.)**

Assemble corner braces (7331) between each side middle bar (7311) and roof middle bar

(7427) by inserting cropped head bolts (7399) into the bolt channels (4b.11) (4b.12).

#### 5. ROOF VENTS

Connect roof vent bottom bar (7366) to side bars (7367) (5.2) (5.3).

Slide pane D into the glazing channels (5.5) in the assembled parts (5.4).

Loosely prepare (7052) and (7053) in roof vent top bar (7365) and slide onto (7367) fitting the bolt heads of (7052) into the bolt channels and the glazing into the glazing channels (5.6) (5.7).

Check that the roof vent is right angular before tightening all bolts.

**Please do not over tighten.**

Connect roof vent lifter (7090) to (7366) using two screws (1006) (5.8) (5.9).

Connect plastic nut caps (6070) by pushing them onto all nuts (7053) (5.10).

#### 6a. SLIDING DOORS

Insert brush seal (7332) into the guides in the door bars (7352) (7353) (7355) (7356) (7357). (6a.2) and cut to length.

Loosely assemble wheels (7364), using spacers (7392) on each side of the wheel, bolt (7393), jump clip (7350) and lock nut (7360), onto door bottom bars (7355) (6a.3).

Connect (7355) with door side bars (7357) or (7358) (6a.3) (6a.7a).

Assemble door middle bars (7354) or (7384) with lock parts (7400), (7401) and (7402) using bolts (7404). Connect to door side bars (7357) or (7358) using bolts (7052), nuts (7053) and bolts (7405) (6a.4) (6a.5) (6a.8). **Do not over tighten bolts (7404) and (7405).**

Connect door top bars (7352) or (7353) to door side bars (7357) or (7358) (6a.6) (6a.7b).

Slide panes G into the glazing channels in the assembled parts (6a.9).

Loosely prepare (7052) and (7053) in door side bars (7356) and slide onto (7355), (7354) or (7384) and (7352) or (7353) fitting the bolt heads of (7052) into the bolt channels and the glazing into the glazing channels (6a.9) (6a.10). Insert door guides (2271) into the top of both doors (6a.6).

**Note** - If you have chosen 4mm glass glazing, cut glazing seal (7420) to fit and press into the space in the glazing channels on the inside of the door to fix the glass in place (6a.11).

#### 6b. DOOR FRAME AND STEP

Assemble door support (7362) onto the sill bar

in the door opening using bolts (7390) (6b.1) (6b.2).

Tilt door wheel track (7351) to fit into the sill bar and lower into position (6b.3). Centre on the door opening and connect to the foundation using wall plug (2003) and screw (2002) (6b.4).

Connect door side frames (7361) to middle bars (7311). When in place connect to the top using bolt (7052) and nut (7053) (6b.5) - (6b.8).

At the bottom insert bolt (7052) into the channel on both sides of door step (7363) (6b.9) and slide the door step into place (6b.10) (6b.11).

#### 7. GLAZING OVERVIEW

Please sort the glazing according to your model size and glazing type before beginning. If you have chosen glass then panes E and F are identical on both sides.

**Note** - The UV-resistant side of the polycarbonate panes is indicated by a plastic folio or printing at the edge. **This side must face outside.** Loosen the film approximately 2cm at all edges of each pane before assembly. When the assembly of all panes is finished completely remove all film from the panes.

#### 7a. ROOF GLAZING / EAVE

Slide the roof glazing into the guides in the roof profiles (7a.2) (7a.3). When two adjacent panes are in place, screw glazing stops (7342) or (7343) onto the roof profile between them using the prepared holes and self-drilling screws (7349) (7a.4) (7a.5). The panes should slide down to rest against these stops.

Ensure that the panes C fit well into the guide in the roof vent sill bar (7368) (7a.6).

Angle the eave bar (7324 - 7327) into the eave angle (7a.7) and turn it down to rest against the eave angle. Connect it to the eave angle using bolts (7052) from outside and nuts (7053) inside the house (7a.8).

Insert glazing spacer (7424) over the inside edge of the eave angle (7a.9) and glazing spacer (7425) over the inside edge of the ridge bar (7a.10). At the ridge fix (7425) in place using screw (7349) (7a.10).

**Note:** *The formation of condensation is unavoidable in a greenhouse with polycarbonate plates, however it may be reduced by exchanging the parts (7424 / 7425) with (7423\*). This will allow increased ventilation inside and thereby reduce the condensation. Please use screws (7349) to fix (7423\*) in the middle of each field at the eave and in the middle of each field without a roof vent at the ridge.*

## 7b. SIDE GLAZING

Press glazing seal (7382) into the top groove in each (7381) and cut to fit both ends.

If glazing with 4mm glass, press glazing seal (6090) onto the aluminium profiles (7b.2) and cut to length. **Note** - On all horizontal glazing guides it is recommended to use smaller lengths of the seal (6090) in the middle of each field. This will allow condense water which collects inside the house to escape.

**Note** - With Polycarbonate the glazing rubber is not required.

Through the positioning of the (7050) bolt head in the different guides in the glazing capping's, it is possible to glaze the greenhouse with 4mm, 10mm or 16mm panes (7b.2). Prepare bolts (7050) in each glazing capping as shown (7b.3).

For 10mm glazing prepare 1 spacer (7407), in the middle / top of each pane A (7b.4). Position each glazing pane A into the frame and connect the vertical capping's (7372), (7373) or (7374) loosely with nuts (7053).

Lift pane A 15mm and connect capping's (7381) loosely under the pane.

**Note** - The bolts (7050) used to hold the diagonal braces in sections 1, 2 and 3 should be replaced at this point (7b.8).

For 10mm glazing prepare 4 spacers (7409) onto each (7321) and (7322) (2 spacers for each pane E and F) (7b.5) (7b.6). Position panes E and F.

Connect capping's (7377) or (7378) and then (7375) / (7379) or (7376) / (7380) loosely.

Tighten all nuts. **Please do not over tighten.**

**Note** - The vertical capping's can be best assembled when the bottom bolt is first inserted into the hole, then the middle and finally the top bolt. Ensure that the capping remains in contact with the sill bar.

## 8. FINAL STEPS

Insert eave plastic (7370) and (7371) into both ends of the eave bar (7324 - 7327) (8.1).

**Note** - It can help to pull the eave bar at the top edge, carefully away from the house so that the opening for the plastic becomes larger.

Insert cropped head bolt (1412) into the bolt channel at the bottom of corner bar (7310) and connect parts (1405) and (1409) with aluminium nut (1002) on both sides (8.3). Fit elbow (1402) onto the bottom of down pipe (1415) (8.6) and then connect this to the eave plastic (7370) or (7371) (8.11). Fit the down pipe clamp (1403) around the down pipe and connect to (1409) (8.4). Insert screw (1006) to fix

the down pipe in place (8.5).

Slide the roof vent into the correct section from one end of the house (8.7). Attach the roof vent fixer (7369) using the prepared holes and self-drilling screw (7349) on both sides of the roof vent (8.8) (8.9).

Assemble door track (7359) into the door opening. Connect to (7321), (7322) or (7324 - 7327) by inserting bolts (7052) into the bolt channel on the outside of these bars and connect with nuts (7053) (8.10).

Include at both ends of door track bar (7359) bolt (7052) from outside and nut (3002) inside the door guide to prevent the door from sliding out of the track (8.10) (8.11).

Position the doors by inserting the plastic door guides (2271) into the guide in door track bar (7359) (8.12) (8.13a) and then lower the wheels onto the door track on bar (7351) (8.13b). Hook the door jump clips (7350) under the lip on (7351) and tighten the lock nuts (7360) (8.13b).

Connect plastic nut caps (6070) by pushing them onto all visible nuts (7053) inside the building (8.14).

**Note** - It is recommended to include a bead of neutral silicone between the ridge bar and wall from outside (8.9b). Neutral silicone is not provided.

## FINISHING

If desired, it is possible to further seal the greenhouse at the edges using neutral silicone. Silicone is not included for this purpose.

Place the warning label inside the house.

Please check the tightness of all nuts and bolts 2 weeks after completing the assembly.

A full range of greenhouse accessories, to help you make the most of this product, is available from your stockist. Please inform yourself as to the possibilities.

## SAFETY NOTICE

In the event of high wind conditions, close the doors and all vents.

In the event of heavy snowfall, clear the roof of the building or take suitable measures to support the roof. Heat the building in winter.

## COMMENTS

For the complete protection of your new greenhouse, we advise you to include it in

your **house insurance**. Please take note of possible building rules relating to the positioning of greenhouses.

Please stick the included greenhouse model label onto door bar (7352) or (7353) after successfully assembling this product. This information is important in the event that replacement parts are later required.

Please keep these assembly instructions in a safe place, for future reference!

Our policy is one of continuous improvement and we reserve the right to change the specifications without prior notice.





# Sicherheitsvorkehrungen

1. Bitte lesen Sie diese Montageanleitung vor Beginn des Aufbaus komplett durch!
2. Bei der Handhabung von Glas, Polycarbonat-Platten oder Gewächshausteilen sind immer Schutzbrille, Handschuhe, Sicherheitsschuhe und ein Kopfschutz zu tragen, da scharfe Kanten zu Verletzungen führen können. Gebrochenes Glas ist ein Sicherheitsrisiko. Beseitigen Sie es mit der gebotenen Vorsicht.
3. Das von Ihnen erworbene Produkt ist für die Aufzucht von Pflanzen konstruiert und sollte auch ausschließlich dafür genutzt werden. Bei anderweitiger Nutzung ist jegliche Haftung ausgeschlossen.
4. Für die Montage dieses Gewächshauses sind zwei Personen erforderlich.
5. Bei der Nutzung einer Leiter muss ständig eine Person anwesend sein, die die Leiter festhält, während die andere Person auf der Leiter arbeitet.
6. Sollten Sie beim Montieren des Hauses oder beim Einsetzen der Verglasung Schwierigkeiten haben, setzen Sie sich bitte mit Ihrem Händler in Verbindung. **Wenden Sie keine Gewalt an!**
7. Das Gewächshaus muss verankert werden.

## Aufbaubeschreibung

### STANDORTWAHL

Suchen sie den sonnigsten, aber gleichzeitig einen windgeschützten Platz aus.

### WICHTIG

Bevor Sie mit der Montage Ihres Gewächshauses beginnen, überprüfen Sie, ob alle in der Liste angegebenen Teile vorhanden sind. Nehmen Sie die einzelnen Bündel aus der Verpackung, um sie besser identifizieren zu können. Es ist wichtig, dass die geöffneten Bündel nicht durcheinander geraten. Sollte trotz sorgfältigster Prüfung etwas fehlen, setzen Sie sich bitte mit Ihrem Händler in Verbindung.

**Achtung** – Die UV-beständige Seite der Hohlkammerplatten ist durch eine Plastikfolie oder einen gedruckten Hinweis an den Kanten gekennzeichnet. **Diese Seite muss nach außen zeigen!**

Zur gründlichen Abdichtung des Gewächshauses wird empfohlen, neutral vernetzendes Silikon, wie in den Abbildungen (4b.3), (4b.4), (7a.7) und (7a.9) gezeigt, zu verwenden. Silikon ist beigefügt.

### BENÖTIGTE WERKZEUGE

Schraubendreher (Schlitz und Kreuzschlitz PH2)

Gummihammer

2 Leitern (1.80 m)

Schraubenschlüssel 10 mm

Ring-Gabelschlüssel

Messer

Zollstock

Wasserwaage

Akku-Schrauber mit einstellbarem Drehmoment.

### WARTUNG

Das Gewächshaus sollte hin und wieder gründlich mit einer milden, PH-neutralen Reini-

gungslösung abgewaschen werden. Das Glas kann mit einem milden Reinigungsmittel gesäubert werden, das weder die Kunststoffteile, noch den Aluminiumrahmen, oder die Glasfederklammern angreift. Reinigen Sie die Türlaufschiene regelmäßig.

### 0. FUNDAMENT

**Wichtig!** Das Fundament muss absolut rechteckig und eben sein. Um das zu erreichen, werden eine Wasserwaage und ein Winkel benötigt.

**Achtung:** Wenn der Abstand zwischen zwei gegenüberliegenden Winkeln gleich ist, dann ist das Fundament rechteckig.

Für den Aufbau dieses Gewächshauses empfehlen wir ein solides Fundament aus Beton, Ziegelsteinen oder Mauerwerk. Wenn Sie mit der Konstruktion eines solchen Fundamentes keine Erfahrung haben, beauftragen Sie besser eine Firma, die auf diese Arbeiten spezialisiert ist. Material und Werkzeug für die Erstellung des empfohlenen Fundamentes sind nicht im Lieferumfang enthalten.

Dieses empfohlene Fundament ermöglicht das Einsetzen der Tür an jeder beliebigen Seite.

Das Fundament muss frostfrei gegründet werden.

**Alle Zeichnungen sind von der Innenseite des Hauses gesehen abgebildet mit Ausnahme der Abbildungen, die in einem Doppelrahmen dargestellt sind, diese beschreiben die Außenansicht.**

### 1. SEITENWÄNDE

**Achtung:** Wenn die Tür an der Hausvorderseite eingesetzt werden soll, entfernen Sie eines der Zwischenprofile (7311)Ⓞ.

Drücken Sie die Dichtung (7396) in das Bodenprofil (7304-7307) und schneiden Sie sie

auf Länge (1.1)(1.2).

Alle Teile auf dem Boden auslegen, die Schrauben (7052) in die Schraubenkanäle schieben und lose verschrauben. Achten Sie darauf, dass die Traufenwinkel (7314-7317) in die Ecken beider Eckprofile (7310) (1.3) (1.4) gedrückt werden und dass die Eckprofile (7310) und Zwischenprofile (7311) exakt an der Montagekante des Traufenwinkels sitzen (1.9) (1.12).

Die Diagonalprofile (7312) an beiden Seiten montieren (1.3) (1.4) (1.10) (1.11). Am Bodenprofil lose mit Schrauben (7050) befestigen. (7050) werden während der Verglasung (Schritt 7b) entfernt.

### 2. GIEBELENDE OHNE TÜR

**Achtung:** Wenn die Tür auf dieser Seite des Hauses eingesetzt werden soll, das Zwischenprofil (7311)Ⓞ entfernen.

Die Dichtung (7396) in das Bodenprofil (7301) und das Wandprofil (7344) drücken und auf Länge schneiden (2.1)-(2.4).

Alle Teile auf den Boden legen und lose verschrauben durch Einführen der Schrauben (7052) in die Schraubenkanäle. Das Traufenprofil (7321) an der Aussparung des Wandprofils (7344) befestigen (2.5) (2.6) und dann das Wandprofil (7344) am Bodenprofil (7301) (2.7) (2.8) montieren. Die Zwischenprofile (7311) (2.9) (2.10) am Bodenprofil (7301) und Traufenprofil (7321) (2.11) auf Stoß montieren.

Das Diagonalprofil (7313) (2.5) (2.11) (2.12) befestigen. An der Schwelle lose mit den Schrauben (7050) montieren. Die Schrauben (7050) werden während der Verglasung entfernt (Schritt 7b).

### 3. GIEBELSEITE MIT TÜR

**Achtung:** Wenn die Tür auf einer anderen Seite eingesetzt werden soll, die Zwischenprofile (7311)Ⓞ befestigen, die zuvor in Position

(1)b entfernt wurden. Alle Teile wie in Schritt 2 montieren.

#### 4a. ZUSAMMENBAU DER SEITENELEMENTE

(4a.1) zeigt den Aufbau, wenn die Tür an der Hausvorderseite eingesetzt werden soll.

Drücken Sie die Dichtung (7396) in das Firstprofil (7334-7337) und schneiden Sie sie auf Länge. Überprüfen Sie, ob die Dichtung (7414-7417) richtig in die Führung des Firstprofils eingeführt ist (4a.2) (4a.3).

Die Schrauben (7052) und Muttern (7053) lose an den Bodenprofilen (7301) und (7302) befestigen, wie in Abbildung (4a.4) gezeigt. Die Eckpfosten (7310) mit den Schraubköpfen (7052) in beiden Schraubenkanälen von (7310) (4a.5) montieren.

Die Traufenprofile (7321) und (7322) an den Eckpfosten (7310) befestigen und sicherstellen, dass sie gegen das Traufenwinkelprofil drücken (4a.6).

Die Giebelprofile an den Traufenwinkeln befestigen (4a.7) (4a.8). Stellen Sie sicher, dass die Giebeleckprofile genau auf der Montagekante des Traufenwinkels sitzen (4b.5) und dass die kleinen Löcher sich an der Außenseite von (7428/7429) am Traufenende befinden (4a.7).

Das Firstprofil (7334-7337) an den Giebeleckprofilen (7428) (7429) und Wandprofilen (7344) (7345) (4a.9) (4a.10) mittels Winkel (7348) montieren. Montieren Sie die oberen Zwischenprofile mittels Winkel (7348) an den Giebeleckprofilen. (4a.11).

Stellen Sie den montierten Rahmen gegen die Wand auf das vorbereitete Fundament. Prüfen Sie, ob es rechtwinklig ist und bohren Sie Ø 6 Löcher durch die vorgebohrten Löcher in (7301), (7302), (7304-7307), (7344) und (7345) an Wand und Fundament. Stecken Sie Wandbefestigungen (7421) oder (7422) in die Löcher und befestigen Sie sie lose mittels Schrauben (7411) und (7412) am Fundament und an der Wand (4a.12).

#### 4b. DACHZWISCHENPROFILE

(7052) und (7053) lose im Firstprofil befestigen. Mittelprofile (7427) positionieren und Schraubköpfe von (7052) in die Schraubenkanäle von (7427)(4b.1)(4b.2) schieben. (7052) in den Schraubenkanal des Mittelprofils (7427) an der Traufenseite einführen und auf den Traufenwinkel mit Unterlegscheibe (7395) und Mutter (7053) (4b.3) (4b.4) senken. Stellen Sie sicher, dass das Mittelprofil (7427) korrekt an der Montagekante des Traufenwinkels abschließt (4b.5) und dass das **kleine Loch sich an der Außenseite des Mittelprofils (7427) am Traufenende befindet**.

Bohren Sie Ø 6er Löcher durch die vorbereiteten Löcher in (7334-7337) Stecken Sie die Wanddübel (7422) in die Löcher und verschrauben Sie das Firstprofil mittels Schrau-

ben (7412) lose mit der Wand (4b.6).

Das Haus justieren, bis es komplett rechtwinklig steht und erst dann alle Schrauben (7411) (7412) und Muttern (7053) fest anziehen. **Die Schrauben müssen fest, aber nicht zu fest angezogen werden.**

Einrastzapfen (6056) mit den Schrauben (1006) an den Schwellenprofilen (7368) befestigen. (4b.7) (4b.8).

Die kompletten Schwellenprofile (7368) in die gewünschten Öffnungen für die Dachfenster einpassen. Quermutterbolzen (7055) in das Schwellenprofil (7368) stecken und Schrauben (7048) durch Dachzwischenprofile (7427)(4b9) (4b.10) in die Quermutterbolzen einschrauben. **(Achtung – Dachfenster können nicht in den Eckdachabschnitten eingesetzt werden. Es muss mindestens eine komplette Sektion zwischen den Fenstern liegen.)**

Die Knotenbleche (7331) zwischen jedes seitliche Zwischenprofil (7311) und Dachmittelprofil (7427) einsetzen indem Hammerkopfschrauben (7399) in die Schraubenkanäle eingeführt werden (4b.11) (4b.12).

#### 5. DACHFENSTER

Das untere Dachfensterprofil (7366) mit den Seitenprofilen (7367) verschrauben. (5.2) (5.3).Scheibe D in die entsprechenden Führungen (5.5) der montierten Profile schieben. (5.4) (7052) und (7053) lose in das obere Dachfensterprofil (7365) stecken und auf (7367) schieben, wobei die Schraubköpfe von (7052) in die Schraubenkanäle und die Verglasung in die Verglasungskanäle geführt werden müssen. (5.6) (5.7) Prüfen Sie, ob das Dachfenster rechtwinklig ist, bevor alle Schrauben fest angezogen werden. **Die Schrauben müssen fest, aber nicht zu fest angezogen werden.**

Den Dachfensteraufsteller (7090) mittels Muttern (1006) an (7366) anbringen (5.8) (5.9).Die Kunststoffkappen (6070) auf alle Schrauben (7053) drücken (5.10).

#### 6a. SCHIEBETÜREN

Die Bürstendichtung (7332) in die Türführungen (7352) (7353) (7355) (7356) (7357) (6a.2) hineinschieben und auf Länge schneiden.

Die Türlaufrollen (7364) lose auf den unteren Türprofilen (7355) befestigen mit Abstandshaltern (7392) auf jeder Seite der Rolle, Schraube (7393), Festhalter (7350) und selbstschneidender Mutter (7360) (6a.3) Die unteren Türprofile (7355) mit den Seitenprofilen (7357) oder (7358) verschrauben.(6a.3) (6a.7a).

Die mittleren Türprofile (7354) und (7384) mit dem zweiflügeligen Kastenriegelschloss (7400) (7401) und (7402) mit Hilfe von Schrau-

ben (7404) verbinden. Die Seitenstreben (7357) oder (7358) mit Schrauben (7052), Muttern (7053) und Schrauben (7405) befestigen (6a.4) (6a.5) (6a.8). **Die Schrauben (7404) und (7405) müssen fest, aber nicht zu fest angezogen werden.**

Die oberen Türprofile (7352) oder (7353) mit den seitlichen Türprofilen (7357) oder (7358) verschrauben (6a.6) (6a.7b).

Die Scheiben G in die Verglasungsschienen der montierten Teile schieben (6a.9).

(7052) und (7053) lose in die Türseitenprofile (7356) einführen und auf (7355), (7354) oder (7384) und (7352) oder (7353) schieben und die Schraubköpfe (7052) in die Schraubenkanäle, sowie die Verglasung in die Verglasungskanäle (6a.9) (6a.10) einpassen. Die Türführungen (2271) oben in beide Türen einführen (6a.6).

**Achtung:** Wenn Sie 4 mm Verglasung gewählt haben, schneiden Sie die Glasdichtung (7420) passend und drücken sie in die Verglasungskanäle auf der Innenseite der Tür um das Glas zu fixieren. (6a.11).

#### 6b. TÜRRAHMEN UND TÜRSCHWELLE

Türversteifung (7362) mittels Schrauben (7390) in der Türöffnung auf dem Bodenprofil (6b.1) (6b.2) befestigen.

Türlaufschiene (7351) neigen, um sie in das Schwellenprofil zu schieben und in Position bringen (6b.3). In der Mitte der Türöffnung platzieren und mittels Wanddübeln (2003) und Schrauben (2002) am Fundament anschrauben (6b.4).

Die Türseitenrahmen (7361) mit den Zwischenprofilen (7311) verschrauben. Wenn sie in Position gebracht sind, oben mit Schrauben (7052) und Muttern (7053) (6b.5) – (6b.8) verschrauben.

Unten Schrauben (7052) in die Kanäle auf beiden Seiten der Türschwelle (7363) (6b.9) einführen und die Türschwelle an die richtige Stelle schieben (6b.10)(6b.11).

#### 7. GLASÜBERSICHT

Bitte sortieren Sie die Verglasung anhand Ihrer Modellgröße und Verglasungsart bevor Sie beginnen. Wenn Sie Glas gewählt haben, dann sind die Scheiben E und F auf beiden Seiten identisch.

**Achtung** – Die UV-beständige Seite der Hohlkammerplatten ist durch eine Plastikfolie oder einen gedruckten Hinweis an den Kanten gekennzeichnet. **Diese Seite muss nach außen zeigen.** Lösen Sie die Folie vor dem Aufbau ca. 2 cm weit an allen Kanten. Wenn

alle Scheiben eingesetzt sind, entfernen Sie die Folie vollständig von allen Scheiben.

### 7a. VERGLASUNG VON DACH / TRAUFE

Schieben Sie die Dachverglasung in die Führungsschienen der Dachprofile (7a.2) (7a.3). Wenn zwei nebeneinander liegende Scheiben in Position sind, die Verglasungs-Stoppes (7342) oder (7343) durch die vorgebohrten Löcher mit selbstschneidenden Schrauben (7349) auf dem dazwischen liegenden Dachprofil anbringen (7a.4) (7a.5). Die Scheiben sollten herunterrutschen und an diesen Stopps hängenbleiben.

Stellen Sie sicher, dass die Scheiben C gut in der Führung im Dachfensterprofil (7368) (7a.6) sitzen.

Das Traufenprofil (7324-7327) an der Nut des Traufenwinkels (7a.7) ansetzen und herunterziehen, um es gegen den Traufenwinkel zu drücken. Alternativ kann das Traufenprofil seitlich eingeschoben werden. Mit Schrauben (7052) von außen und Muttern (7053) von der Hausinnenseite mit dem Traufenwinkel verschrauben (7a.8).

Schieben Sie Abstandshalter (7424) über die Innenkante des Traufenwinkels (7a.9) und Abstandshalter (7425) über die Innenkante des Firstprofils (7a.10). Befestigen Sie (7425) mit Schrauben (7349) am First (7a.10).

**Achtung:** Die Bildung von Kondenswasser ist unvermeidlich in einem Gewächshaus mit Polycarbonat-Platten, sie kann jedoch reduziert werden durch Austausch der Teile (7424/7425) mit (7423\*). Die Folge wäre eine bessere Belüftung des Innenraumes, so dass die Bildung von Kondenswasser verringert würde. Bitte benutzen Sie die Schrauben (7349) um (7423\*) in der Mitte jedes Feldes an der Traufe und in der Mitte jedes Feldes ohne Dachfenster am First zu montieren.

### 7b. SEITENVERGLASUNG

Glasdichtung (7382) jeweils in die obere Nut in (7381) drücken und passend schneiden.

Bei Verglasung mit 4 mm Glas die Glasdichtung (6090) auf die Aluminiumprofile (7b.2) drücken und auf Länge schneiden.

**Achtung:** Es ist empfehlenswert, die Glasdichtungen (6090) auf allen horizontalen Glasführungen etwas kürzer zu schneiden und mittig zu platzieren. Dadurch kann Kondenswasser, das sich im Inneren ansammelt, entweichen.

**Achtung:** Bei Polycarbonat-Verglasung wird keine Gummidichtung benötigt.

Durch das Einführen der Schraubköpfe (7050) in die verschiedenen Führungen in der Abdeckleiste ist es möglich, das Gewächshaus mit 4 mm, 10 mm oder 16 mm starken Scheiben zu verglasen. (7b.2). Führen Sie in

jede Abdeckleiste Schrauben (7050) ein, wie in (7b.3) gezeigt.

Für 10 mm Verglasung 1 Abstandshalter (7407) in die Mitte/oberhalb jeder Scheibe A (7b.4) einführen. Jede Glasscheibe A in den Rahmen schieben und die vertikalen Abdeckleisten (7372), (7373) oder (7374) lose mit den Muttern (7053) verschrauben.

Scheibe A 15 mm hoch anheben und mit den Abdeckleisten (7381) lose unter der Scheibe verbinden.

**Achtung:** Die Schrauben (7050), die benutzt wurden, um die Diagonalprofile in Schritt 1, 2 und 3 zu halten, müssen jetzt entfernt und neu montiert werden (7b.8).

Für 10 mm Verglasung 4 Abstandshalter (7409) jeweils auf (7321) und (7322) (2 Abstandshalter für jede Scheibe E und F) (7b.5) (7b.6) einfügen. Scheiben E und F justieren. Abdeckleisten (7377) oder (7378) montieren und dann (7375)/(7379) oder (7376) / (7380) lose einbauen.

**Alle Schrauben fest, aber nicht zu fest anziehen.**

**Achtung:** Die vertikalen Abdeckleisten lassen sich am besten montieren, wenn zuerst die untere Schraube, danach die mittlere und zuletzt die obere Schraube in das Loch eingesetzt werden. Stellen Sie sicher, dass die Abdeckleisten mit dem Bodenprofil in Kontakt bleiben.

### 8. DIE LETZTEN HANDGRIFFE

Führen Sie die Regenrinnenanschlussstücke (7370) und (7371) in beide Enden des Traufenprofils (7324-7327) (8.1) ein.

**Achtung:** Es kann helfen, das Traufenprofil an der oberen Kante vorsichtig vom Haus weg zu ziehen, so dass die Öffnung für den Kunststoff größer wird.

Führen Sie die Hammerkopfschrauben (1412) in den Schraubenkanal am unteren Ende des Eckprofils (7310) ein und verschrauben Sie (1405) und (1409) mit der Aluminium-Mutter (1002) auf beiden Seiten (8.3). Montieren Sie das Kniestück (1402) am Ende des Regenablaufrohrs (1415) (8.6) und verbinden Sie dieses mit den Regenrinnenanschlussstücken (7370) oder (7371) (8.11). Die Fallrohrklammer (1403) um das Fallrohr spannen und mit (1409) verbinden (8.4). Schraube (1006) hineinstecken um das Regenablaufrohr zu fixieren (8.5).

Das Dachfenster von einem Ende des Hauses aus in die gewünschte Position schieben (8.7). Dachfensterfeststeller (7369) auf beiden Seiten des Dachfensters (8.8) (8.9) mit Hilfe der vorgebohrten Löcher und selbstschneidender Schraube (7349) montieren.

Türführung (7359) in die Türöffnung einbauen. An (7321), (7322) oder (7324-7327) mittels Schrauben (7052), die in den Schraubenkanal an der Außenseite dieser Profile eingeführt werden und Muttern (7053) befestigen. (8.10). An beiden Enden des Türführungsprofils (7359) Schrauben (7352) von oben einsetzen und mit Muttern (3002) von unten befestigen, um die Öffnung der Tür zu begrenzen. (8.10) (8.11).

Die Kunststoff-Türführung (2771) in das Türführungsprofil (7359) (8.12) (8.13a) einschieben und dann die Rollen unten auf die Türlaufschiene setzen (7351) (8.13b). Die Türfesthalter (7350) unter der Nase (7351) einhaken und die Türrollenschrauben (7360) festziehen (8.13).

Die Kunststoffkappen (6070) auf alle sichtbaren Muttern (7053) im Haus drücken (8.14).

**Achtung:** Es ist zu empfehlen, neutralvernetztes Silikon zwischen Firstprofil und Wand von außen zu verwenden (8.9b). Neutralvernetztes Silikon gehört nicht zum Lieferumfang.

### ABSCHLUSSARBEITEN

Optional können Sie das Gewächshaus auch noch in den Ecken mit neutral vernetztem Silikon abdichten. Hierfür ist kein Silikon im Lieferumfang enthalten.

Den beiliegenden Warnaufkleber von innen aufkleben.

Bitte überprüfen Sie 2 Wochen nach dem Aufbau, ob alle Schrauben fest sitzen.

Ihr Händler hält ein reichhaltiges Sortiment an Gewächshaus-Zubehör für Sie bereit. Sprechen Sie ihn an.

### SICHERHEITSHINWEIS

Bei starkem Wind sollten alle Öffnungen und die Tür geschlossen sein. Dächer von Gewächshäusern sind rechtzeitig von Schnee zu räumen, so dass keine gefährliche Schneebelastung eintreten kann. Heizen Sie das Gewächshaus im Winter.

### ANMERKUNGEN

Zum vollen Schutz des Gewächshauses empfehlen wir, es mit in Ihre Hausversicherung einzuschließen. Beachten Sie eventuell vorhandene örtliche Bauvorschriften.

Den mitgelieferten Typaufkleber nach erfolgter Montage des Gewächshauses auf das Radgehäuse (7352) oder (7353) kleben. Die Typbezeichnung benötigen Sie zur Angabe bei der Bestellung evtl. benötigter Ersatzteile.

Bitte heben Sie die Montageanleitung auf! Alle Maßangaben sind Annäherungswerte, Änderungen vorbehalten.



# Veiligheidsvoorschriften

## 1. LEEST U EERST DE GEHELE INSTRUCTIES DOOR ALVORENS TE BEGINNEN MET DE OPBOUW VAN DE KAS.

1. Draag altijd handschoenen als u met glas, polycarbonaat platen of aluminium werkt, deze kunnen scherpe hoekjes en/of randen hebben die tot verwondingen kunnen leiden. Indien glas gebroken is dient u het veilig en meteen op te ruimen.
2. Het product dat u heeft gekocht is alleen bestemd voor het kweken van planten. Wanneer deze voor andere doeleinden zal worden gebruikt dragen wij hier geen verantwoordelijkheid voor.
3. Wij raden u aan de kas met twee personen in elkaar te zetten.
4. Wanneer een trapladder wordt gebruikt, dient één persoon deze altijd te stabiliseren terwijl de andere werkt.
5. Mocht u problemen hebben het glas of polycarbonaat platen in te passen, neem dan contact op met uw leverancier. **Gebruik geen geweld.**
6. De kas moet altijd worden verankerd.

## Montage Instructies

### KIEZEN PLAATS

Probeer altijd een zonnige plaats te kiezen die zoveel mogelijk tegen wind beschermt is.

### BELANGRIJK

Controleer a.u.b. of u alle onderdelen op de meegeleverde lijst hebt voordat u begint aan het in elkaar zetten van uw nieuwe kas. Haal a.u.b. elk pakket uit de doos om de onderdelen beter te identificeren.

Het is belangrijk dat de open pakketten niet door elkaar gehaald worden.

Als er onderdelen ontbreken, neem dan a.u.b. contact op met uw leverancier.

**N.B.** - De UV-bestendige kant van de polycarbonaat ruiten wordt aangegeven door de kunststoffolie en de bedrukking op de rand. **Deze kant moet naar buiten zitten.**

Om de kas effectief af te dichten wordt geadviseerd dat u neutrale silicone toepast zoals op tekening (4b.3), (4b.4), (7a.7) en (7a.9). Er wordt voor dit doel silicone meegeleverd.

### VEREISTE GEREEDSCHAPPEN

Schroevendraaiers (normaal en kruiskop PH2)  
 Rubberen hamer  
 2 x 1,8 m ladder  
 10 mm moer- of steeksleutel  
 10 mm combinatiesleutel  
 Stanley mes  
 Maatstok  
 Waterpas  
 Accuboormachine met instelbaar moment

### ONDERHOUD

Om uw kas schoon te houden dient deze af toe grondig gereinigd te worden met een zacht reinigingsmiddel. Zorg er a.u.b. voor dat het reinigingsmiddel niet agressief reageert met aluminium of kunststof.

Om te voorkomen dat zich vuil ophoopt in de deurrails, zal men deze regelmatig moeten schoonmaken.

### 0. FUNDERING

**Belangrijk!** Let op dat de fundering haaks en waterpas staat. Om dit te bereiken zult u een waterpas en een rechte hoek nodig hebben.

**N.B.** - Als de afstand tussen de twee tegenover elkaar liggende hoeken gelijk is, dan is de fundering haaks.

Voor het opbouwen van de kas adviseren wij een stabiele, van beton, metsel- of steenwerk gemaakte fundering.

Als u geen ervaring hebt met het maken van een dergelijke fundering, moet u een bedrijf raadplegen dat zich in dit werk specialiseert.

Er worden geen materialen en gereedschappen meegeleverd om de geadviseerde fundering voor te bereiden.

Door de geadviseerde fundering kan de deur aan iedere kant van de kas worden gemonteerd.

De fundering moet tot beneden de vorstgrens zitten.

**Op de tekeningen met het enkelvoudige frame wordt de binnenkant van de kas getoond. Op de tekeningen met het dubbele frame wordt de kas van de buitenkant bekeken.**

### 1. ELEMENTEN VAN DE VOORKANT

**N.B.** - Als de deur aan de voorkant van de kas wordt gemonteerd, verwijder dan één van de middenprofielen (7311)Ⓞ.

Duw de afdichting (7396) in het kalfje (7304 - 7307) en snij deze voor beide einden passend af (1.1) (1.2).

Leg al deze onderdelen, volgens het model, op de grond en verbind deze losjes door boutjes (7052) in de boutkanalen te steken. Zorg ervoor dat de hoeken van de zijkant (7314 - 7317) in de hoek van beide hoekbalken (7310) (1.3) (1.4) worden gedrukt en dat de hoekbalken (7310) en middenbalken (7311) op de juiste wijze op de montagerand op de hoek van de zijkant (1.9) (1.12) liggen.

Monteer de diagonale balken (7312) aan beide kanten (1.3) (1.4) (1.10) (1.11). Maak deze bij het kalfje losjes vast m.b.v. een boutje (7050). (7050) zal tijdens de beglazing worden verwijderd (paragraaf 7b).

### 2. ACHTERGEVEL

**N.B.** - Als de deur aan deze kant van de kas wordt gemonteerd, verwijder dan het middenprofiel (7311)Ⓞ.

Duw de afdichting (7396) in het kalfje (7301) en het muurprofiel (7344) en snij deze voor beide einden passend af (2.1) - (2.4).

Leg al deze onderdelen op de grond en verbind deze losjes door boutjes (7052) in de boutkanalen te steken.

Monteer het eindprofiel (7321) in de uitsparing in het muurprofiel (7344) (2.5) (2.6) en dan (7344) op het kalfje (7301) (2.7) (2.8). Monteer de middenprofielen (7311) (2.9) (2.10), en let op de montagerand op de hoek van de zijkant (1.9).

Monteer het diagonale profiel (7313) (2.5) (2.11) (2.12). Maak deze bij het kalfje losjes vast m.b.v. een boutje (7050). (7050) zal tijdens de beglazing worden verwijderd (paragraaf 7b).

### 3. DEURGEVEL

**N.B.** - Als de deur aan een andere kant moet worden gemonteerd, monteer dan (7311)Ⓞ, die eerder is verwijderd, op positie Ⓛb.

Monteer alle onderdelen zoals in paragraaf 2.

#### 4a. HET SAMENVOEGEN VAN DE ZIJ-ELEMENTEN

Op (4a.1) staat de 4a-montage als de deur aan de voorkant van de kas moet zitten.

Duw de afdichting (7396) in de nokbalk (7334 - 7337) en snij deze voor beide einden passend af. Controleer of de afdichting (7414 - 7417) correct in de geleider in de nokbalk is gestoken. (4a.2) (4a.3).

Prepareer boutjes (7052) en moeren (7053) losjes in de profielen van het kalfje (7301) en (7302) zoals op de tekening (4a.4). Laat de hoekprofielen (7310) zakken en monteer de boutkoppen van (7052) in de boutkanalen van (7310) (4a.5).

Verbind de eindprofielen (7321) en (7322) met de hoekprofielen (7310) en zorg ervoor dat zij tegen het hoekprofiel van de zijkant worden gedrukt (4a.6).

Monteer de hoekprofielen van het dak op de hoek van de zijkant (4a.7) (4a.8). Zorg ervoor dat de hoekbalken van het dak correct op de montagerand op de hoek van de zijkant (4b.5) liggen en dat de gaatjes aan de buitenkant van (7428 / 7429) op het eind van de zijkant zitten (4a.7).

Monteer de nokbalk (7334 - 7337), de hoekprofielen van het dak (7428) (7429) en de muurprofielen (7344) (7345) (4a.9) (4a.10) m.b.v. plaat (7348).

Monteer centrale eindprofielen (7346) (7347) op de eindprofielen en de hoekprofielen van het dak m.b.v. plaat (7348) (4a.11).

Plaats het gemonteerde frame tegen de muur op de geprepareerde fundering, controleer of dit waterpas is en boor gaten met Ø 6 door de voorbereide gaten in (7301), (7302), (7304 - 7305), (7344) en (7345) op de muur en fundering.

Installeer muurpluggen (7421) of (7422) in de gaten en verbind deze losjes met de fundering en de muur m.b.v. schroeven (7411) en (7412) (4a.12).

#### 4b. MIDDENPROFIELEN VAN HET DAK

Prepareer (7052) en (7053) losjes in de nokbalk, schuif de middenprofielen (7427) op hun plaats en monteer de boutkoppen van (7052) in de boutkanalen van (7427) (4b.1) (4b.2).

Installeer (7052) in het boutkanaal in (7427) bij de zijkant en laat deze zakken op de hoek van de zijkant m.b.v. ringafdichting (7395) en moertje (7053) (4b.3) (4b.4). Zorg ervoor dat (7427) correct op de montagerand op de hoek van de zijkant (4b.5) liggen en dat het gaatje aan de buitenkant van (7427) op het eind van de zijkant zit.

Boor gaten met Ø 6 door de geprepareerde gaten in (7334 - 7337). Installeer muurpluggen (7422) in de gaten en verbind de nokbalk losjes met de muur m.b.v. schroeven (7412) (4b.6).

Stel het frame zodanig af dat het volledig haaks is en draai alle schroeven (7411) en (7412) en moertjes (7053) vast. **Belast de moertjes niet met teveel kracht bij het aandraaien.**

Verbind de dakraamstoppen (6056) op de kalfjes van het dakraam (7368) door middel van schroeven (1006) (4b.7) (4b.8).

Monteer de voltooide kalfjes (7368) in de gewenste gedeelten waar later de dakramen zullen worden geplaatst. Installeer de kruispen (7055) in het kalfje (7368) en het boutje (7048) door de middenprofielen van het dak (7427) (4b.9) (4b.10).

**(N.B. - De dakramen kunnen niet in de hoekgedeelten van het dak worden geplaatst en er moet ten minste één compleet gedeelte tussen zitten.)**

Monteer de hoekschoren (7331) tussen elk middenprofiel van de zijkant (7311) en het middenprofiel van het dak (7427) door de platkopbouten (7399) in de boutkanalen (4b.11) (4b.12) te installeren.

#### 5. DAKRAMEN

Monteer het onderste profiel van het dakraam (7366) aan de hoekprofielen (7367) (5.2) (5.3). Schuif ruit D in de beglazingskanalen (5.5) in de gemonteerde onderdelen (5.4).

Prepareer (7052) en (7053) losjes in het bovenprofiel van het dakraam (7365) en schuif ze op (7367), terwijl de boutkoppen van (7052) in de boutkanalen en de beglazing in de beglazingskanalen (5.6) (5.7) worden gemonteerd.

Controleer of het dakraam haaks is alvorens alle boutjes vast te draaien.

**Belast de boutjes niet met teveel kracht bij het aandraaien.**

Verbind het hefmechanisme van het dakraam (7090) met (7366) door middel van schroeven (1006) (5.8) (5.9).

Monteer kunststof moerdoppen (6070) door deze op alle moertjes te duwen (7053) (5.10).

#### 6a. SCHUIFDEUREN

Installeer borstelrubber (7332) in de geleiders in de deurprofielen (7352) (7353) (7355) (7356) (7357) (6a.2) en snij het op lengte.

Monteer de wielen (7364), door middel van afstandsbusen (7392) aan weerszijde van het wiel, boutje (7393), clip (7350) en borgmoer (7360), losjes op de onderprofielen van de deur (7355) (6a.3).

Verbind (7355) met de zijprofielen van de deur (7357) of (7358) (6a.3) (6a.7a).

Monteer de middenprofielen van de deur (7354) of (7384) met borgonderdelen (7400),

(7401) en (7402) door middel van boutjes (7404). Verbind met zijprofielen van de deur (7357) of (7358) d.m.v. boutjes (7052), moertjes (7053) en boutjes (7405) (6a.4) (6a.5) (6a.8). **Belast de boutjes (7404) en (7405) niet met teveel kracht.**

Verbind de bovenprofielen van de deur (7352) of (7353) met de zijprofielen van de deur (7357) of (7358) (6a.6) (6a.7b).

Schuif ruit G in de beglazingskanalen in de gemonteerde onderdelen (6a.9).

Prepareer (7052) en (7053) losjes in de zijprofielen van de deur (7356) en schuif ze op (7355), (7354) of (7384) en (7352) of (7353), terwijl de boutkoppen van (7052) in de boutkanalen en de beglazing in de beglazingskanalen (6a.9) (6a.10) worden gemonteerd. Installeer de deurgeleiders (2271) in de bovenkant van beide deuren (6a.6).

**N.B. -** Als u glasbeglazing van 4 mm hebt gekozen, snij dan het beglazingsprofiel (7420) op lengte en duw het in de ruimte in de beglazingskanalen aan de binnenkant van de deur om het glas op zijn plaats vast te zetten (6a.11).

#### 6b. DEURFRAME EN ONDERDORPEL

Monteer de deursteun (7362) op het kalfje in de deuropening d.m.v. boutjes (7390) (6b.1) (6b.2).

Kantel de rail van het deurwiel (7351) zodat deze in het kalfje past en laat deze op zijn plaats zakken (6b.3). Centreer op de deuropening en verbind met de fundering d.m.v. muurplug (2003) en schroef (2002) (6b.4).

Verbind de zijframes van de deur (7361) met de middenprofielen (7311). Verbind deze na plaatsing met de bovenkant d.m.v. boutje (7052) en moertje (7053) (6b.5) - (6b.8).

Installeer onderaan een boutje (7052) in het kanaal aan beide kanten van de onderdorpel (7363) (6b.9) en schuif de onderdorpel op zijn plaats (6b.10) (6b.11).

#### 7. OVERZICHT BEGLAZING

Sorteer a.u.b. de beglazing op afmeting en beglazingstype van uw model alvorens te beginnen. Als u glas hebt gekozen, dan zijn ruit E en F aan beide kanten identiek.

**N.B. -** De UV-bestendige kant van de polycarbonaat ruiten wordt aangegeven door de kunststoffolie of de bedrukking op de rand. **Deze kant moet naar buiten zitten.** Maak vóór de montage de folie op alle randen van elke ruit ongeveer 2 cm los. Als de montage van alle ruiten klaar is, verwijder dan de folie helemaal van de ruiten.

## 7a. DAKBEGLAZING / ZIJKANT

Schuif de dakbeglazing in de geleiders in de dakprofielen (7a.2) (7a.3). Als twee aan elkaar grenzende ruiten op hun plaats zijn, schroef dan de beglazingsaanslagen (7342) of (7343) op het dakprofiel ertussenin d.m.v. de voorbereide gaten en zelftappende schroeven (7349) (7a.4) (7a.5). De ruiten moeten naar beneden schuiven tot tegen deze aanslagen.

Zorg ervoor dat de ruiten C goed passen in de geleider van het kalpje van het dakraam (7368) (7a.6).

Buig het profiel van de zijkant (7324 - 7327) in de hoek van de zijkant (7a.7) en zet het omhoog tot tegen de hoek van de zijkant. Verbind het met de hoek van de zijkant d.m.v. boutjes (7052) aan de buitenkant en moertjes (7053) binnen de kas (7a.8).

Installeer een glasafstandsbus (7424) boven de binnenrand van de hoek van de zijkant (7a.9) en een glasafstandsbus (7425) boven de binnenrand van de nokbalk (7a.10). Fixeer (7425) bij de nok op zijn plaats d.m.v. schroef (7349) (7a.10).

**N.B.:** In een kas met polycarbonaat ruiten is de vorming van condensaat onvermijdelijk; het kan echter worden verminderd door vervanging van de onderdelen (7424 / 7425) door (7423\*). Hierdoor ontstaat meer ventilatie binnen en wordt de condensatie verminderd. Gebruik a.u.b. schroeven (7349) om (7423\*) in het midden van elk veld van de zijkant en in het midden van elk veld zonder een dakraam bij de nok te fixeren.

## 7b. ZIJKANTBEGLAZING

Duw de glasafdichting (7382) in de bovengroef in elke (7381) en snij deze voor beide einden passend af.

Als de beglazing uit glas van 4 mm bestaat, duw dan de glasafdichting (6090) op de aluminium profielen (7b.2) en snij deze op lengte. **N.B.** - Er wordt geadviseerd om op alle horizontale glasgeleiders kleinere lengten van de afdichting (6090) in het midden van elk veld te gebruiken. Hierdoor kan condenswater dat zich in de kas ophoopt, ontwijken.

**N.B.** - Bij polycarbonaat is het glasrubber niet nodig.

Door plaatsing van de (7050) boutkop in de verschillende geleiders in de glasafdekking kan de kas met ruiten van 4 mm, 10 mm of 16 mm (7b.2) worden beglaasd. Prepareer boutjes (7050) in elke glasafdekking zoals op de tekening (7b.3).

Prepareer voor beglazing van 10 mm 1 afstandsbus (7407), in de midden / aan de bovenkant van elke ruit A (7b.4). Plaats elke glasruit A in het frame en verbind

de verticale afdekkingen (7372), (7373) of (7374) losjes met moeren (7053).

Til ruit A 15 mm op en verbind de afdekkingen (7381) losjes onder de ruit.

**N.B.** - De boutjes (7050) die gebruikt zijn om de diagonale schoren in sectie 1, 2 en 3 te houden, moeten op dit punt (7b.8) worden herplaatst.

Prepareer voor beglazing van 10 mm 4 afstandsbusen (7409) op elk (7321) en (7322) (2 afstandsbusen voor elke ruit E en F) (7b.5) (7b.6).

Plaats ruit E en F.

Verbind afdekking (7377) of (7378) en daarna (7375) / (7379) of (7376) / (7380) losjes.

Draai alle moertjes vast. **Belast deze niet met teveel kracht bij het aandraaien.**

**N.B.** - De verticale afdekking kan het best worden gemonteerd als de onderste bout het eerst in het gat wordt geïnstalleerd, daarna de middelste en ten slotte de bovenste bout. Zorg ervoor dat de afdekking contact blijft houden met het kalpje.

## 8. LAATSTE STAPPEN

Installeer kunststof voor de zijkant (7370) en (7371) in beide uiteinden van het zijkantprofiel (7324 - 7327) (8.1).

**N.B.** - Het kan nuttig zijn om het zijkantprofiel aan de bovenrand voorzichtig weg te trekken van de kas zodat de opening voor de kunststof groter wordt.

Installeer een platkopbout (1412) in het boutkanaal aan de onderkant van het hoekprofiel (7310) en verbind onderdeel (1405) en (1409) aan beide kanten (8.3) met een aluminium moertje (1002). Installeer de kniebocht (1402) op de onderkant van elke pijp (1415) (8.6) en verbind deze met de kunststof van de zijkant (7370) of (7371) (8.11). Installeer de klem van de valpijp (1403) rond de valpijp en verbind deze met (1409) (8.4). Installeer schroef (1006) om de valpijp op zijn plaats te fixeren (8.5).

Schuif het dakraam in het juiste gedeelte vanaf één kant van de kas (8.7). Bevestig de dakraamstop (7369) vast d.m.v. de geprepareerde gaten en de zelftappende schroef (7349) aan beide kanten van het dakraam (8.8) (8.9).

Monteer de deurrail (7359) in de deuropening. Verbind met (7321), (7322) of (7324 - 7327) door boutjes (7052) in het boutkanaal aan de buitenkant van deze profielen te installeren en met moertjes (7053) (8.10) te verbinden.

Installeer aan beide kanten van het deurrailprofiel (7359) een boutje (7052) aan de buitenkant en een moertje (3002) binnen de deurgeleider om te voorkomen dat de deur uit de rail

(8.10) (8.11) schuift.

Plaats de deuren door de kunststof deurgeleiders (2271) in de geleider in het deurrailprofiel (7359) (8.12) (8.13a) te plaatsen en laat dan de wielen op de deurrail op profiel (7351) (8.13b) zakken. Haak de deurclips (7350) onder de lip op (7351) en draai de borgmoeren (7360) (8.13b) vast.

Monteer de kunststof moerdoppen (6070) door ze op alle zichtbare moertjes (7053) binnen de kas (8.14) te duwen.

**N.B.** - Er wordt geadviseerd om een druppel neutrale silicone aan de buitenkant tussen de nokbalk en de muur aan te brengen (8.9b). Neutrale silicone is niet inbegrepen.

## AFWERKING

Desgewenst kan de kas aan de randen verder worden afgedicht met neutrale siliconenkit. Silicone is niet voor dit doel inbegrepen.

Plaats het waarschuwinglabel aan de binnenkant van de kas.

Controleer a.u.b. twee weken na het voltooiën van de montage of alle moertjes en boutjes vastzitten.

Er is een compleet assortiment kasaccessoires beschikbaar bij uw leverancier om dit product ten volle te benutten. Informeer a.u.b. naar de mogelijkheden.

## VEILIGHEIDSREGELS

Sluit bij zware wind altijd de deuren en alle ramen.

Houd bij zware sneeuwval het dak van de kas vrij of zorg voor een goede ondersteuning van het dak. Verwarm de kas in de winter.

## COMMENTAAR

Voor de gehele bescherming van uw nieuwe kas raden wij u aan om deze op te nemen in uw **opstalverzekering**. Denk er ook aan dat de kas aan alle bouweisen moet voldoen en houd ook rekening met de plaats van de kas. Plak alstublieft de inbegrepen sticker van het kasmodel op het deurprofiel (7353) of (7353) nadat de kas succesvol is geïnstalleerd. Deze informatie is belangrijk voor het vervangen van onderdelen in de toekomst.

Bewaar deze montage-instructies op een veilige plek zodat u deze nog altijd kunt nalezen. Ons beleid is gebaseerd op het continu verbeteren van onze producten en hierdoor behouden wij ons het recht voor om modellen te veranderen zonder verdere berichtgeving.





## 1. VENLIGST LÆS DENNE MONTAGEVEJLEDNING INDEN DE GÅR I GANG MED SAMLING AF DERES DRIVHUS.

- Når De arbejder med glas eller polycarbonat, skal De altid bruge handsker. Skarpe kanter kan forårsage skader. Også skarpe kanter eller hjørner på aluminiumsprofiler kan forårsage skader – brug derfor også altid handsker ved montering af disse.
  - Dette produkt er konstrueret som et drivhus beregnet til planteavl og er som sådan ikke konstrueret til at være helt tæt, da det er nødvendigt med udluftning bl.a. for at undgå kondensdannelse. Såfremt De ønsker at anvende drivhuset som et "uderum/stue" eller lignende, gør vi udtrykkeligt opmærksom på, at drivhuset ikke er 100 % vandtæt, og at vi ikke påtager os noget ansvar for eventuelle skader på løsøre el. lign., der er anbragt i drivhuset.
  - Til montage af dette produkt kræves 2 personer.
  - Ved anvendelse af trappestige bør stigen under brug sikres af en person.
  - Skulle De få problemer med drivhusmontagen eller med glasisætningen, bedes De sætte Dem i forbindelse med Deres forhandler – anvend ikke vold!
  - Drivhuset bør gøres forsvarligt fast til undergrunden.
  - Den vedlagte selvklæbende identifikationsetiket anbringes indvendigt i drivhuset – f.eks. indvendig på døren eller lign. Oplysningerne på etiketten vil gøre det meget lettere for Dem at fremskaffe reservedele, såfremt dette skulle blive aktuelt.
- Vi ønsker Dem god arbejdslyst og håber, at De får rigtig mange gode stunder med og i Deres Vitavia drivhus.

## MONTAGEVEJLEDNING

### PLACERING

Vælg et solrigt sted, hvor der er mest muligt læ.

### VIGTIGT

Før De begynder at samle Deres drivhus/ udestue, kontroller venligst efter indholdsfortegnelsen, at alle dele er medleveret. Tag de enkelte bundter ud af kassen for bedre at kunne kontrollere indholdet.

Det er vigtigt ikke at blande de åbnede bundter.

Hvis der mangler noget, kontakt venligst Deres forhandler.

**Vigtigt!** Den UV-bestandige side på polycarbonatpladerne er markeret med en folie. Denne side skal vende udad. Fjern folien før montage.

Det anbefales at anvende den medfølgende tube silikone til at tætnes drivhuset yderligere. Det er vist i illustration (4b.3), (4b.4), (7a.7) og (7a.9), hvor silikonen skal anvendes. Bemærk: Ved illustration (7a.7) og (7a.9) skal der lægges en silikonestreg i hele profilens længderetning.

### NØDVENDIGT VÆRKTØJ

Skruetrækker (stjerne PH2 og PZ2)

Akkuboremaskine med moment

Gummihammer

1x10 mm fastnøgle.

1x10 mm gaffelnøgle

1 målebånd/tommestok

1 vinkel

1 vaterpas

1 hobbykniv

1 skævbider

2 trappestiger 1,80 m.

### VEDLIGEHOLDELSE

Drivhuset bør lejlighedsvis rengøres grundigt med et mildt rengøringsmiddel. Glasset kan rengøres med et hvilket som helst rengøringsmiddel, der ikke skader aluminiumsprofiler eller kunststof.

Dørskinnerne bør regelmæssigt rengøres og smøres med stearin/grafitolie.

### 0. FUNDAMENT

**Vigtigt!** Anvend en stor vinkel og et vaterpas til at kontrollere, at soklen er vandret, og alle vinkler skal være 90°. Dette kan også kontrolleres ved at krydsmålene er ens som vist på tegning 0.

Vi anbefaler, at drivhuset anbringes på et solidt fundament.

Ønsker De selv at bygge et sten- eller betonfundament, følg da dimensionerne, som er vist i afsnit 0. Materialer til dette indgår ikke i leverancen.

Det viste fundament giver mulighed for at placere dobbeltskydedøren i en af de to gavle eller i fronten af drivhuset.

Ved støbning af fundament bør dette gå ned i frostfri dybde. Derved reduceres risikoen for, at der opstår skader på huset som følge af frostpåvirkninger af jorden.

**NB!** Støbning/fastgørelse til undergrunden er i mange tilfælde et krav fra forsikringsselskaber for at opnå forsikringsdækning på drivhuset. Vi anbefaler, at De kontakter Deres forsikringsselskab for at høre om reglerne, der er gældende hos Deres selskab.

**Alle tegninger af drivhuset er set indefra, undtagen de tegninger, hvor der er dobbeltstreg udenom. Disse er set udefra.**

### 1. FRONT

**NB!:** Hvis døren skal placeres i husets front, skal De undlade at montere en af de lodrette profiler (7311) markeret med ①.

Klem tætningsliste (7396) fast på bundlisten/ dørtrinnet (7304-7307) og tilpas længden i begge ender med en hobbykniv, se (1.1) og (1.2).

I henhold til modeltegningerne 8600/10200 og 11900 placeres delene til den aktuelle model på jorden og boltes løst sammen ved at anbringe bolte (7052) i profilsporene som vist på (1.3).

Sørg omhyggeligt for, at vinklerne på tagremmen (7314-7317) placeres korrekt i hjørnerne på begge hjørnestolper (7310), se (1.3) og (1.4), og at hjørnestolperne (7310) og midterprofilerne (7311) støder an mod monteringsflangen på tagremmen, som vist i den stiplede cirkel på (1.9) og (1.12).

Fastgør skråstiverne (7312) på begge sider, se (1.3), (1.4), (1.10) og (1.11). Skråstiverne monteres løst til bundskinnen med bolt (7050). Bolt (7050) skal fjernes, når glasset sættes i (sektion 7b).

### 2. GAVL UDEN DØR

**NB!:** Hvis døren ønskes placeret i denne side, skal De undlade at montere den midterste sideprofil (7311) markeret med ①.

Klem tætningsliste (7396) fast på bundlisten (7301) og på profilen mod væggen (7344) og tilpas længden i begge ender med en hobbykniv (2.1) – (2.4).

Placer alle delene på jorden og bolt dem løst sammen ved at anbringe bolte (7052) i profilsporene som vist på (1.3). Overligger (7321) skubbes ind i udklinkningen på murprofil (7344) og fastspændes med bolt (7052) og møtrik (7053), se (2.5) og (2.6).

Bundprofil (7301) fastgøres til murprofil (7344) med bolt 7052) og møtrik (7053), se (2.7) og (2.8).

Monter de midterste lodrette profiler (7311), se (2.9) og (2.10); vær opmærksom på monteringsflangen på tagremmen (1.9).

Fastgør skræstiverne (7313), se (2.5), (2.11) og (2.12). Skræstiverne monteres løst til bundskinnen med bolt (7050). Bolt (7050) skal fjernes, når glasset sættes i (sektion 7b).

### 3. GAVL MED DØR

**NBI:** Hvis døren ønskes placeret i modsatte gavl eller i fronten, skal den midterste sideprofil (7311) markeret med ① monteres i denne side ①b.

Saml alle dele som beskrevet under sektion 2.

### 4a. SAMLING OG MONTERING AF SIDEELEMENTERNE

Figur (4a.1) viser konstruktionen med placering af døren i fronten.

Klem tætningsliste (7396) ind i bundliste (7334-7337) og tilpas længden med en hobbykniv. Vær omhyggelig med at få tætningslisten (7414 – 7417) til at slutte tæt i styrerillen på remmen. (4a.2) og (4a.3).

Monter løst bolte (7052) og møtrikker (7053) i bundlister (7301) og (7302) som vist i (4a.4). Monter hjørnestolper (7310) ved at lade profilsporene på (7310) glide ned over hovederne på bolte (7052) som vist på (4a.4). Forbind overligger (7321) og (7322) med hjørnestolperne således, at de støder an mod tagremmen i fronten (4a.6).

Saml taghjørneprofilerne ovenpå tagremsvinklen (4a.7) og (4a.8). Sørg for, at taghjørneprofilerne sidder korrekt og støder an mod forhøjningen yderst på tagremmen som vist i den stiplede cirkel på tegning (4b.5). Gavlprofil (7428/7429) skal vende således, at de små huller på ydersiden af (7428/7429) er ved husets front.

Saml murtagremmen (7334-7337), tagafslutningsprofiler (7428), (7429) og murprofiler (7344) ved hjælp af beslag (7348), se (4a.9) og (4a.10).

Forbind mellemstøtteprofil (7346), (7347) til overligger (7321), (7322) med bolt (7052) og møtrik (7053) og til tagafslutningsprofil (7428), (7429) med beslag (7348) som vist på (4a.11).

Anbring det samlede stel på det forberedte fundament, således at stellet læner op ad husmuren. Kontroller at stellet er i lod og vater og bor Ø6 huller gennem de forberede huller i (7301), (7302), (7304-7305), (7344) og (7345) ind i muren og ned i fundamentet. Anbring mørpløkker (7421) eller (7422) i de borede huller og spænd stellet løst fast til fundamentet og muren ved hjælp af skruer (7411) og (7412), se (4a.12).

### 4b. MELLELMSTE TAGPROFILER

Monter løst bolt (7052) og møtrik (7053) i murremmen og skub de mellemste tagprofiler (7427) på plads. Bolthovedet på (7052) skal køre i sporet på (7427), se (4b.1) og (4b.2). I gavlenden af (7427) anbringes en bolt i sporet på hver (7427). Sænk (7427) således, at bolten (7052) går ned igennem det forstansede hul i tagremmen. Spænd derefter sammen ved hjælp af skive (7395) og møtrik (7053), se (4b.3) og (4b.4). Sørg for, at (7427) sidder korrekt og at det lille hul på oversiden af (7427) er i den ende, der vender mod fronten af drivhuset.

Bor Ø 6 mm huller gennem de formarkerede huller i murtagremmen (7334-7337). Anbring murpløkker (7422) i hullerne og spænd murtagremmen løst fast til muren ved hjælp af skruer (7412), se (4b.6).

Juster stellet indtil det er retvinklet og i lod og vater. Fastspænd alle skruer (7411) og (7412) og møtrikker (7053). **Undgå at overspænde!**

Monter begge pløkker (6056) på tagvinduet underkarm (7368) ved hjælp af skruer (1006), se (4b.7) og (4b.8).

Anbring den nu færdigmonterede underkarm til vinduet i den sektion, hvor tagvinduet senere ønskes placeret. Anbring tværbøsning (7055) i underkarmen (7368) og stik samlebolt (7048) gennem hullet i de mellemste tagprofiler (7427) og fang gevindet i tværbøsningen (7055) som vist i (4b.9) og (4b.10).

**NBI! Tagvinduer kan ikke placeres i de yderste tagsektioner – og heller ikke i to nabosektioner.**

Monter afstivere (7331) mellem de mellemste sideprofiler (7311) og de mellemste tagprofiler (7427) ved hjælp af bolte med tilfillede hoveder (7399), se (4b.11) og (4b.12).

### 5. TAGVINDUER

Saml vinduets bundprofil (7366) med de to sideprofiler (7367), se (5.2) og (5.3).

Lad polycarbonatplade D glide ind i sporene (5.5) på sideprofilerne (5.4).

Sæt bolt (7052) og møtrik (7053) løst i vinduets topprofil (7365) og pres topprofilen ned over sideprofilerne (7367), således at bolthovederne glider ind i boltsporene, og polycarbonatpladen glider ind i sporene til polyplader som vist i (5.6) og (5.7).

Sørg for, at alle vinkler er rette, inden møtrikkerne i vinduet spændes.

**Spænd møtrikkerne – men uden at overspænde!**

Monter udskyderstangen (7090) på vinduets bundprofil (7366) ved hjælp af to skruer (1006), se (5.8) og (5.9).

Sæt plastic dækpropper (6070) på alle møtrikker (7053), se (5.10).

### 6 a. SKYDEDØRE

Skub tætningsliste (børste) (7332) ind i sporet på dørprofilerne (7352), (7353), (7355), (7356) og (7357), se (6a.2) og tilpas tætningslisterne i længden.

Anbring en afstandsbojsning (7392) på hver side af dørhjulet (7392). Monter derefter dørhjul (7364) løst på den nederste dørprofil (7355) ved hjælp af bolt (7393), vinkelbeslag (7350) og låsemøtrik (7360). Spænd nederste dørprofil (7355) sammen med inderste lodrette dørprofil (7357) eller (7358), se (6a.3) og (6a.7a).

Monter låsedelene (7400), (7401) og (7402) på mellemste dørprofil (7354) eller (7384) ved hjælp af bolte (7404). Monter midterste dørprofil på den lodrette dørprofil (7357) eller (7358) ved hjælp af bolte (7052), møtrikker (7053) og bolte (7405), se (6a.4), (6a.5) og (6a.8).

**Spænd bolte (7404) og (7405) – men uden at overspænde!**

Øverste vandrette dørprofil (7352) eller (7353) boltes på de inderste dørprofiler (7357) eller (7358), se (6a.6) og (6a.7b).

Lad glas/polycarbonatplade G glide ind i sporene på de samlede dørprofiler (6a.9).

Når yderste dørprofil (7356) skal monteres, gøres dette lettest, når de allerede samlede dele vendes som vist på (6a.9). Monter løst bolt (7052) og møtrik (7053) i yderste dørprofil (7356) og lad (7356) glide ned over (7355) og (7354) eller (7384) og (7353) således at bolthovederne kører i boltsporet og glasset glider i glassporet som vist i ((6a.9) og (6a.10)). Monter dørstyr (2271) øverst i begge døre, se (6a.6).

**NBI!** Hvis De har valgt en model med 4 mm glas tilskæres glasliste/tætningsliste (7420) og tætningslisten klemmes ned i mellemrummet i glassporene på dørglassenes inderside for fikser glasset, se (6a.11).

### 6b. DØRRAMME OG DØRTRIN

Monter dørstøtte (7362) på bundskinne (7302) ved hjælp af bolte (7390), se (6b.1) og (6b.2).

Vip hjulskinnen (7351) så den griber fat i profileringen på bundskinnen (7302) og sænk den ned på plads (6b.3). Centrér i forhold til døråbningen og fastgør til fundamentet ved hjælp af murpløk (2003) og skrue (2002), se (6b.4).

Anbring siderne af dørrammen (7361) på de mellemste sideprofiler (7311). Derefter fastgøres dørrammen til tværligger (7322) ved hjælp af bolt (7052) og møtrik (7053), se (6b.5) – (6b.8).

Forneden anbringes en bolt (7052) i sporet på begge sider af dørtrinnet (7363), se (6b.9) og skub dørtrinnet på plads (6b.10) og (6b.11).

## 7. GLASPLAN – OVERSIGT

Sorter glas og polycarbonat i overensstemmelse med modelstørrelse og valg af dæk-materiale før isætning af glas/polycarbonat påbegyndes.

Såfremt De har valgt en model med glas, er rude E og F ens på begge sider.

**Vigtigt!** Den UV-bestandige side på polycarbonatpladerne er markeret med en folie. Denne side skal vende udad. Løsn de yderste ca. 2 cm hele vejen rundt, så folien let kan fjernes efter isætning. De skal lade folien sidde under montering, da det ellers er umuligt at afgøre med det blotte øje, om pladen vender den rigtige side udad. Fjern folien, når alle plader er sat i.

### 7a. MONTERING AF POLYCARBONAT I TAGET

**NB! BEMÆRK VENLIGST OVENNÆVNTE SIKKERHEDSFORANSTALTNINGER.**

Skub polycarbonatpladerne til taget ind i sporene på tagpladerne (7a.2) og (7a.3). Når to tilstødende plader er på plads, monteres tagpladestop (7342) eller (7343) på tagprofilen imellem dem ved isætte de selvskærende skruer (7349) i de forberedte huller, se (7a.4) og (7a.5). Polycarbonatpladerne skal glide ned og have anslag mod tagpladestopperne.

Sørg for, at rude C sidder korrekt ind i styresporet på vinduets underkarm (7368), se (7a.6).

Vip tagafslutningsprofilen (7324-7327) så den hængsler på tagremmen (7a.7) og vip den ned, så den støder an mod tagremmen. Spænd den fast på tagremmen ved hjælp af bolte (7052) udvendigt fra og møtrikker (7053) indvendigt fra (7a.8).

Anbring afstandsstykke (7424) på den indvendige kant på tagremmen (7a.9) og anbring afstandsstykke (7425) på den indvendige kant af murremmen (7a.10). Ved murremmen fastgøres afstandsstykke (7425) med skrue (7349), se (7a.10).

**NB!** Kondensdannelse kan ikke helt undgås i et drivhus med polycarbonat, men kondensdannelsen kan reduceres ved at udskifte kode nr. (7424 / 7425) med kode nr. (7423\*).

*Dette vil forøge luftcirkulationen og dermed reducere kondensdannelse.*

*Ved hjælp af skrue (7349) anbringes en (7423\*) i midten af hver sektion ved tagkanten og midt på hver tagplade med undtagelse af de(n) sektion(er), hvor der monteres et ventilationsvindue.*

### 7b. MONTERING AF GLAS I SIDERNE

Tryk tætningsliste (7382) fast på hver af de lodrette sideprofiler (7381) som vist i cirklen og skær til med en hobbykniv i begge ender.

Såfremt De har valgt en model med 4 mm glas trykkes glasliste (6090) fast på aluminiumsprofilerne (7b.2). Tilpas længden på glaslisten med en hobbykniv.

**NB!** Det anbefales ikke at lade glaslisten gå helt ud til siderne på de vandrette profiler, derved opnås større luftcirkulation med mindre kondensdannelse til følge.

**OBS!** Såfremt De har valgt en model med polycarbonatbeklædning skal der ikke anvendes glaslister.

Hovedet på bolt (7050) kan skubbes ind i tre forskellige spor på dæklisterne som vist på (7b.3). Dette giver mulighed for at anvende enten 4 mm glas, 10 mm og 16 mm polycarbonatplader som dækmaterialer (7b.2).

Ved 10 mm plader anbringes 1 afstandsstykke (7407) foroven i midten af hver plade type A (7b.4).

Anbring alle plader type A i stellet og monter løst de lodrette dæklistre (7372), (7373) eller (7374) løst med bolte (7053).

Løft rude A 15 mm så der er plads til at skubbe dæklisterne ind i styresporene på bundlisten og forbind derefter løst dæklisterne (7381) under ruden.

**NB!** Muligvis kan boltene (7050), der anvendes til at fastgøre skråstiverne i afsnit 1, 2 og 3, ikke genanvendes. Det kan derfor være nødvendigt at udskifte disse med tilsvarende nye på dette trin (7b.8).

Ved 10 mm plader anbringes 4 afstandsstykker (7409) på overligger (7321) og (7322) – 2 afstandsstykker til hver rude E og F, se (7b.5) og (7b.6).

Isæt rude E og F.

Forbind løst dæklistre (7377) og (7378) og derefter (7375) / (7379) eller (7376) / (7380).

**Spænd alle møtrikker – men uden at overspænde!**

**Tip:** Det er lettest at montere de lodrette dæklistre, hvis man starter med skubbe den nederste bolt gennem hullet og derefter den midterste og endelig den øverste. Sørg for, at dæklisten slutter tæt mod bundlisten.

### 8. SIDSTE TRIN

Skub plasticstuds til nedløbsrør (7370) og (7371) ind i begge ender af tagrenden (7324-7327), se (8.1).

**Tip:** Det kan være en hjælp forsigtigt at trække tagrendeprofilen lidt væk fra huset, så åbningen til indpresning af studsene til nedløbsrøret bliver større.

Indsæt en bolt med tilfilet hovede (1412) i bun-

den af boltsporet i hjørnestolpe (7310) og monter bøsning (1405) og beslag (1409) med møtrik (1002), se (8.2).

Klem bøjning (1402) fast på nederste del af nedløbsrøret (1415), se (8.6), og klem derefter røret op omkring studsene til nedløbsrøret (7370) eller (7371), se (8.11).

Klem beslag (1403) fast rundt om nedløbsrøret og pres derefter (1403) således at klembeslaget får greb i flangen på beslag (1409), se (8.4). Isæt skrue (1006) til fastholdelse af nedløbsrøret, se (8.5).

Monter tagvinduet/tagvinduerne ved at lade det/dem glide ind i tagryggen og derefter skyde det/de færdigsamlede vindue(r) sideværts på plads som vist i (8.7).

Monter vinduesstop (7369) ved at isætte selvskærende skruer (7349) i de forberedte huller på begge sider af hvert vindue, se (8.8) og (8.9).

Monter dørskinnen (7359) over døråbningen. Dørskinnen monteres på overligger (7321), (7322) eller (7324-7327) ved at anbringe bolte (7052) i boltsporet på ydersiden af overliggerne og spænde sammen med møtrikker (7053), se (8.10).

For at undgå, at dørene kører ud af dørskinnen (7359), monteres udvendigt en bolt (7052) og indvendigt en møtrik (3002) i dørskinnen, se (8.10) og (8.11).

Løft dørene på plads, således at plastic dørstyrene (2271) går ind i sporet på dørskinnen (7359), se (8.12) og (8.13a). Sænk derefter døren, således at dørhjulet (7364) glider ned over vulsten på dørskinnen (7351), se (8.13b).

Klem vinkelbeslag (7350) fast under den lille flange på vulsten på dørskinnen (7351) og stram låsemøtrikkerne (7360), se (8.13b).

Sæt plasticdækpropper (6070) på alle synlige møtrikker (7053) inde i drivhuset (8.14).

**NB!** Det anbefales at lave en silikonefuge mellem tagremmen (7334-7337) og muren. Fugning sker fra udvendig side. Fugemasse er ikke inkluderet i leverancen.

### FÆRDIGGØRELSE

Hvis De ønsker at tætné hjørner og samlinger kan dette gøres med silikone (ikke inkluderet). Vær dog opmærksom på, at jo tættre huset er, jo mere kondens vil der blive dannet.

Den vedlagte selvklæbende identifikationsetiket kan med fordel anbringes indvendigt i drivhuset – f.eks. indvendigt på (7352) eller (7353) eller lign. Oplysningerne på etiketten vil gøre det meget lettere for Dem at fremskaffe reservedele, såfremt dette skulle blive aktuelt.

Ca. 2 uger efter færdiggørelse kontrolleres det, at alle møtrikker er spændt korrekt.

#### SIKKERHEDSANVISNING

**Brug arbejdshandsker**, da nogle af delene kan have skarpe kanter.

I tilfælde af stærk blæst eller storm: Luk alle oplukkede vinduer og døre, afmonter om nødvendigt eventuelle automatiske vinduesåbnere. Se endvidere vor hjemmeside [www.vitavia.dk](http://www.vitavia.dk), hvor De finder gode råd til forebyggelse af stormskader.

I tilfælde af stormskade kan der være mange glasstumper, som skal fjernes med stor forsigtighed for at undgå personskader.

I tilfælde af kraftigt snefald: Ryd drivhusets tag for sne og træf passende foranstaltninger til at understøtte taget f.eks. med en stolpe el. lign.

#### ANMÆRKNINGER

Vi anbefaler, at De sørger for, at Deres husforsikring også dækker Deres drivhus.

Overhold alle byggevedtægter. Kontakt Teknisk Forvaltning i Deres kommune, hvis De er i tvivl.

Vi forbeholder os ret til uden varsel at foretage løbende produktjusteringer. På vor hjemmeside [www.vitavia.dk](http://www.vitavia.dk) vil De altid kunne downloade den nyeste manual, som derfor kan afvige lidt fra Deres produkt. Manualens udgave kan identificeres ved hjælp af den talkode, der er trykt nederst på hver side i manualen. På hjemmesiden kan De også læse mere om vort store udvalg i tilbehørsartikler.

Alle målangivelser er ca.-mål.

Typebetegnelsen skal De bruge ved bestilling af evt. reservedele, så venligst opbevar montagevejledningen til senere brug.

Vi ønsker Dem god arbejdslyst og håber, at De får rigtig mange gode stunder med og i Deres Vitavia drivhus.

1. Läs igenom monteringsanvisningen innan ni börjar montera växthuset.
2. När man hanterar glas eller polykarbonat skall man alltid använda handskar. Vassa kanter kan förorsaka skador. Vassa kanter eller hörn på aluminiumprofilerna kan också förorsaka skador, använd därför även handskar vid montering av dessa.
3. Produkten ni har köpt är avsedd för uppdrivning av växter och skall enbart användas till detta. Vid användning till annat bortfaller tillverkarens ansvar.
4. Det krävs två personer för att montera detta växthus.
5. Om det skulle visa sig svårt att montera växthuset eller att sätta i glaset eller polykarbonatet, skall råd begäras av växthusets återförsäljare.

#### **Bruka ej våld.**

## MONTERING AV VÄXTHUSET

### PLACERING

Välj en solig plats med mesta möjliga solljus på taket. Välj en plats som är skyddad mot vind så mycket som möjligt.

### VIKTIGT

Innan monteringen av växthuset påbörjas, bör delarna kontrolleras mot detaljförteckningen. För att kunna identifiera delarna skall de packas upp ur lådan. Det är viktigt att de öppnade buntarna inte blandas samman. Om något saknas kontakta din återförsäljare.

### ERFORDERLIGA VERKTYG

Skruvmejslar (flat och kryss), PH2 och pz2, gummiclubba, 10 mm hylsnyckel och 10 mm fast nyckel. Tumstock, vinkelhake, vattenpass, hobbykniv, stege och avbitare.

### UNDERHÅLL

För att hålla växthuset rent skall det då och då tvättas med en svag lösning av diskmedel. Glaset kan göras rent med något rengöringsmedel som inte skadar aluminiumprofilerna eller glasklämmorna.

### 0. GRUND

**Viktigt!** Använd en stor vinkelhake och ett vattenpass för att kontrollera att sockeln är i vinkel och vågrät. Alla vinklar skall vara 90. Detta kan också kontrolleras genom att kryssmäta som visat på ritning 0.

Vi föreslår att huset monteras på ett kraftigt fundament. Fundamentet som visas ger möjlighet att montera skjutdörrarna i endera gaveln eller på framsidan av huset.

Vid gjutning av plintar bör dessa gå ned till frostfritt djup. Detta reducerar risken för att skador uppstår pga tjälen.

Notera att fastgjutning i marken kan vara ett krav från försäkringsbolagen för att försäkringen skall täcka ev. skador. Kontrollera med ditt försäkringsbolag vad som gäller.

**Alla bilder på växthuset är visade inifrån med undantag från de bilder som har dubbla ringar runt sig, dessa är visade utifrån.**

### 1. FRAMSIDA

**OBS!** Om dörrarna skall monteras på framsidan skall en av de lodräta profilerna (7311) märkt ① inte monteras.

Se ritningen i sektion 3.

Kläm fast tätningslist (7396) på bottenprofilen/dörrglidspåret (7304/7305/7306/7307) samt kapa den i rätt längd i båda ändar med en kniv, se (1.1) och (1.2)

Lägg ut delarna på marken enligt ritningen och fäst dem löst med bult, som föres ned i spåret, och mutter enligt ritning (1.3) Se noggrant till att vinklarna på takfotsprofilen (7314,7315,7316,7317) placeras korrekt i hörnen på bägge hörnstolparna (7310), se (1.3) och (1.4) och att hörnstolparna (7310) och de mellanliggande profilerna (7311) stöder an mot monteringsflänsen på takfotsprofilen, se bilder (1.9) och (1.12)

Gör fast snedsträvor (7312) på bägge ändar, se (1.3), (1.4), (1.10) och (1.11). Snedsträvorna monteras löst på bottenprofilen med bult (7050). Denna skall senare lossas för montering av glaset.

### 2. GAVEL UTAN DÖRR

**OBS!** Skall dörrarna monteras på denna gavel skall du icke montera den mittersta profilen (7311) märkt ①

Se ritning under sektion 3.

Fäst tätningslist (7396) på bottenprofilen (7301) och på profilen mot vägg (7344) och skär till längden i båda ändar med kniv (2.1) – (2.4)

Lägg ut delarna på marken enligt ritning 2. och fäst dem löst med skruv och mutter, som tidigare.

Överliggaren (7321) skjuts in i ursparningen på den bakre profilen mot vägg (7344) och fäst med bult och mutter (7052), (7053), se (2.5) och (2.6). Bottenprofilen (7301) monteras fast

på den bakre profilen (7344) på samma sätt, se (2.7) och (2.8)

Montera de mellanliggande profilerna (7311), se (2.9) och (2.10). Var uppmärksam på monteringsflänsen på takfotsprofilen (1.9)

Gör fast snedsträvan (7313), se (2.5), (2.11), (2.12). Snedsträvan monteras löst på bottenprofilen med bult (7050). Denna skall senare lossas för montering av glaset.

### 3. GAVEL MED DÖRR

**OBS!** Skall dörren monteras i denna gavel skall du icke montera den mittersta profilen (7311) märkt ①

Montera lika som i punkt 2.

### 4a. MONTERING AV GAVLAR

Ritning (4a.1) visar huset med dörrarna på framsidan.

Fäst tätningslist (7396) på taknocken (7334,7334,7336,7337) och skär den i rätt längd med en kniv.

För även in tätningslist (7414,7415,7416,7417) i taknocken och se till att den sluter tätt och sitter i rätt spår. Se (4a.2) och (4a.3)

Montera löst bult (7052) och mutter (7053) i bottenprofil (7301) och (7302) som visat i (4a.4). Montera hörnstolparna (7310) genom att låta profilens spår på (7310) glida ned över huvudena på bulten som visat i (4a.4).

Förbind överliggaren (7321) och (7322) på hörnstolparna så att de stöder mot takfotsprofilen på framsidan (4a.6)

Montera nu den främre takfotsprofilen (7314,7315,7316,7317) och gavelprofilerna (7428/7429) på hörnstolparna (4a.7) (4a.8).

Se till att de sitter korrekt och stöder an mot förhöjningen ytterst på takfoten lika som visas i cirkeln på ritning (4b.5).

Gavelprofilen (7428/7429) skall vändas så att de små hålen på yttersidan av (7428/7429) är vid husets framsida.

Montera tacknocken (7334/7335/7336/7337), gavelprofilerna (7428/7429) och de bakre profilerna (7344) (7345) med hjälp av beslag

(7348). Se (4a.9) och (4a.10).

Fäst mellanstagsprofilen (7346) och (7347) på överliggaren (7321 och 7322) med bult och mutter och på gavelprofilerna (7428/7429) med beslag (7348) som visat i (4a.11)

Sätt den färdigmonterade profilen på den förberedda sockeln mot väggen. Kontrollera att huset är i våg och borra 6 hål genom de förberedda ställena genom (7301,7302,7304-7307,7344 och 7345) in i väggen och in i sockeln. Använd pluggar (7421) eller (7422) till väggen och fäst huset i väggen och i sockeln med hjälp av skruv (7411) och (7412) (4a.12).

#### 4b. TAKET

Fäst löst bult och mutter i hålen på taknocken och skjut på de mellanliggande takprofilerna (7427) på bult/huvudena. Det lilla hålet på ovansidan av (7427) skall vara i den änden som vetter mot framsidan av huset. se (4b.1). I andra änden för man in en bult i spåret på (7427) och sänker ned bulten i det förborrade hålet i takfotsprofilen. Fäst med mutter (7053) och bricka (7395) se (4b.3) och (4b.4)

Borra 6 mm hål genom de förberedda hålen i taknocken (7334-7337).

Sätt in plugg (7422) i hålen och fäst taknocken löst i väggen med hjälp av skruv (7412). Se (4b.6)

Justera nu hela huset så att det är i våg och rättvinkligt innan alla skruvar och muttrar dras åt.

OBS! undvik att dra åt för hårt.

Montera hållarna för fönsterhaken (6056) på takfönstrets undre karm med hjälp av skruv (1006), se (4b.7) och (4b.8)

Fäst nu underkarmen till ventilationsfönstret i den sektion ni önskar ha fönstret. För in tappen (7055) i karmen (7368) och stick in bult (7048) genom hålet i de mellanliggande profilerna (7427) och fäst den i tappen (7055) som visat i (4b.9) och (4b.10)

**OBS! Takventilationer kan inte placeras i de yttre taksektionerna!**

Montera förstärkningar (7331) mellan de mellanliggande takprofilerna (7427) och sidoprofilerna (7311) med hjälp av T-bult (7399). Se (4b.11) och (4b.12).

#### 5. TAKFÖNSTER

Montera fönstrets bottenprofil (7366) på de två sidoprofilerna (7367), se (5.2) och (5.3).

Låt polykarbonatskiva D glida ned i spåren (5.5) på sidoprofilerna (5.4)

Fäst bult och mutter (7052 & 7053) löst i fönstrets övre profil (7365) och pressa ned den över sidoprofilerna och polykarbonatet, så att bultarna glider in i spåren som visat i (5.6) och (5.7).

Se till att fönstret är rättvinkligt innan skruvarna dras åt.

Fäst fönsterhaken (7090) på den nedre fönsterprofilen (7366) med två skruvar (1006). Se (5.8) och (5.9)

Sätt på skydden (6070) på alla muttrar (7053)

se (5.10)

När hela huset är färdigmonterat förs takventilationen in i taknockens spår från ena ändgaveln på växthuset (8.7) och skjut den till önskat läge. Fäst takluckans fixerings pliggar (7369) med skruv (7349) i de förborrade hålen

#### 6 a. SKJUTDÖRRAR

För in tätningslist (borste) (7332) i spåret på dörrprofiler (7352), (7353), (7355), (7356) och (7357). Se (6a.2) och skär listen i lagom längd. Fäst en distansbricka (7392) på var sida om dörrhjulet (7364). Montera därefter dörrhjulen (7364) löst på den nedre dörrprofilen (7355) med bult (7393), vinkelbeslag (7350) och låsmutter (7360).

Fäst den nedersta dörrprofilen (7355) på dörrrens inre sidoprofil (7357) eller (7358) (6a.3) (6a.7a).

Montera låsdelarna (7400), (7401) och (7402) på den mellersta dörrprofilen (7354) eller (7384) med hjälp av bult (7404). Fäst den mellersta dörrprofilen på den lodräta dörrprofilen (7357) eller (7358) med hjälp av bult (7052), mutter (7053) och bult (7405). Se (6a.4), (6a.5) och (6a.8)

**Drag åt bultar (7404) och (7405) men drag inte åt dem för hårt!**

Den översta vågräta profilen (7352) eller (7353) fästes på den innersta dörrprofilen (7357) eller (7353), se (6a.6) och (6a.7b) Låt glas/polykarbonatskiva G glida ned in i spåren på de monterade dörrprofilerna (6a.9) När den yttersta dörrprofilen (7356) skall monteras, är det lättast om man ställer dörren på den inre lodräta profilen som visat i (6a.9) Montera löst bult (7052) och mutter (7053) i den yttersta dörrprofilen (7356) (4 st) och låt (7356) glida ned över (7355) och (7354) eller (7384) och (7353) så att bult/huvudena kommer ned i spåren och glaset glider in i dess spår som visas i (6a.9) och (6a.10). Montera dörrstyrningen (2271) överst på bägge dörrarna, se (6a.6)

**OBS!** Om du har valt en modell med 4 mm glas tillskäres Glaslist/tättningslist (7420) och tättningslisten kläms ned i mellanrummet i glasningsspåret på dörrglasens insida för att fixera glaset, se (6a.11)

#### 6b. DÖRRKARMAR OCH JUSTERING

Montera dörrglidspåret (7362) på bottenprofilen (7302) med hjälp av bult (7390). Se (6b.1) och (6b.2)

Tag nu profil (7351) och vik den in över (7362) så att den griper tag i läppen som sticker ut på bottenprofil (7302). Sänk den sedan ned på plats (6b.3) Centrera den i förhållande till dörröppningen och gör fast den i sockeln med hjälp av väggplugg (2003) och skruv (2002), se (6b.8)

Fäst sidoprofilerna till dörrkarmen (7361) på de mellersta sidoprofilerna (7311). Därefter

fästes dörrkarmens överliggare (7322) med hjälp av bult (7052) och mutter (7053), se (6b.5) och (6b.8).

#### 7. GLASNING – ÖVERSIKT

Sortera glas och polykarbonat efter storlek på hus och efter val av material före isättningen av glaset/polykarbonatet börjar.

Om du har valt ett hus med glas, är glasruta E och F lika på båda sidor.

**VIKTIGT!** Den UV-beständiga sidan på polykarbonatet har en skyddsfolie. Denna sida skall vara utåt. Släpp lite på denna folie i kanterna så kan man lätt dra bort folien efter montering. Låt folien sitta under hela monteringen så ser man lätt att rätt sida är utåt. Tag bort folien först när alla skivor är monterade.

#### 7a. MONTERING AV POLYKARBONAT I TAKET

**Vänligen notera säkerhetsreglerna.**

Skjut in polykarbonatskivorna till taket i spåren på takprofilerna (7a.2) och (7a.3). När två intilliggande polyskivor är på plats monteras stoppen (7342) eller (7343) på takprofilen mellan skivorna med de självdragande skruvarna (7349) i de förborrade hålen. Se (7a.4) och (7a.5). Polyskivorna skall glida ned och ligga an mot stoppen.

Se till att skiva C sitter korrekt i spåret på fönstrets undre karm (7368), se (7a.6).

Montera nu takavslutningsprofilen (7324/7325/7326/7327) genom att vipa den och haka på den på takfotsprofilen, se (7a.7). Fäst den med hjälp av bult (7052) utifrån och mutter (7053) inifrån. (7a.8) Montera glasningsdistansen (7424) på kanten på insidan av takfotsprofilen (7a.9) och (7425) på insidan av taknocken (7a.10). Vid taknocken monteras distansen med skruv (7349), se (7a.10).

**Notera att kondenser i kanalerna inte helt kan undgås i ett växthus med polykarbonat, men det kan reduceras genom att byta (7424/7425) mot (7423\*)**

Detta kommer att öka cirkulationen och därmed reducera risken för kondens. (7423\*) fästes med skruv (7349) i mitten av varje sektion vid takkanten och i mitten på varje takplatta med undantag för de sektioner där takfönstren sitter.

#### 7b. MONTERING AV GLAS I SIDORNA

Tryck fast tätningslist (7382) på alla täcklister (7381) som visat i cirkeln och kapa dem i rätt längd.

Om ni har valt 4 mm glas skall glasningslist (6090) fästas på aluminiumprofilerna (7b.2). Skär dem i rätt längd.

Om ni har polykarbonat i hela huset skall

glasningslisten EJ användas.

Huvudet på bult (7050) kan skjutas in i 3 olika spår beroende på om man har 4mm glas, 10 mm poly eller 16 mm poly som tak. Se (7b.3) (7b.2)

Vid 10 mm skivor fästes en distans (7407)

överst i mitten på varje skiva A, (7b.4)

Sätt dit alla skivor A och montera löst täcklister (7372), (7373) eller (7374) med bult (7053)

Lyft upp skiva A 15 mm och fäst täcklisten (7381) under skivan.

OBS! Bultar (7050) som håller tvärstagen och som monterades i avsnitt 1, 2 och 3 kan behöva bytas ut mot nya..

För 10mm glas fästes 4 distanser (7409) på varje profil (7321) och (7322). 2 distanser för varje skiva E och F. Se (7b5) (7b6). Lägg dit skivorna E och F.

Tryck dit tätninglist (7377) eller (7378) och sedan (7375)/(7379) eller (7376)/(7380) löst. Drag åt allaskruvar, men **drag inte åt dem för hårt**

## 8. SISTA STEGEN..

Fäst stuprörsanslutningen i plast (7370) och (7371) i båda ändar avtakfotsprofilen (7324/7325/7326/7327)

Det kan hjälpa att dra isär takfotsprofilen lite gran för att få in anslutningen lite lättare.

För in T-bult (1412) i spåret längst ned i hörnstolpen (7310) och fäst delarna (1405) och (1409) med aluminium mutter (1002) på båda sidor (8.3). Fäst kröken (1402) på nedre delen av stupröret (1415) (8.6) och fäst det i stuprörsanslutningen (7370)/(7371).

Sätt på stuprörsfästena (1403) på (1409) (8.4) med hjälp av skruv (1006) (8.5)

Nu kan takventilationsluckan sättas på plats enligt instruktioner under steg 5.

Montera en bult (7052) från utsidan i varje ände på dörrglidspåret (7359) med mutter (3002) från insidan så att dörrarna ej kan hopps ur sitt spår (8.10) (8.11)

Häng dit dörrarna genom att sätta in plast styrningarna (2271) i dörrglidspåret (7359) (8.12) (8.13.a) och sänk sedan ner dörrarna på hju-len på det nedre dörrglidspåret (7351) (8.13b)

Se till att fästa dörrstyrningarna under läppen på (7351) och dra åt muttern (7360) som håller styrningen. (813b)

Fäst mutterskydd (6070) på alla synliga muttrar på insidan av huset.

Vi rekommenderar att man lägger en silikonsträng mellan taknocken och väggen på utsidan av huset.

Silikon medföljer ej.

Fäst varningslappen på insidan av huset.

Efterdra alla skruvar och muttrar 2 veckor efter att huset färdigmonterats.

## SÄKERHETSFÖRESKRIFTER

Vid kraftig vind skall fönster och dörrar stängas och reglas.

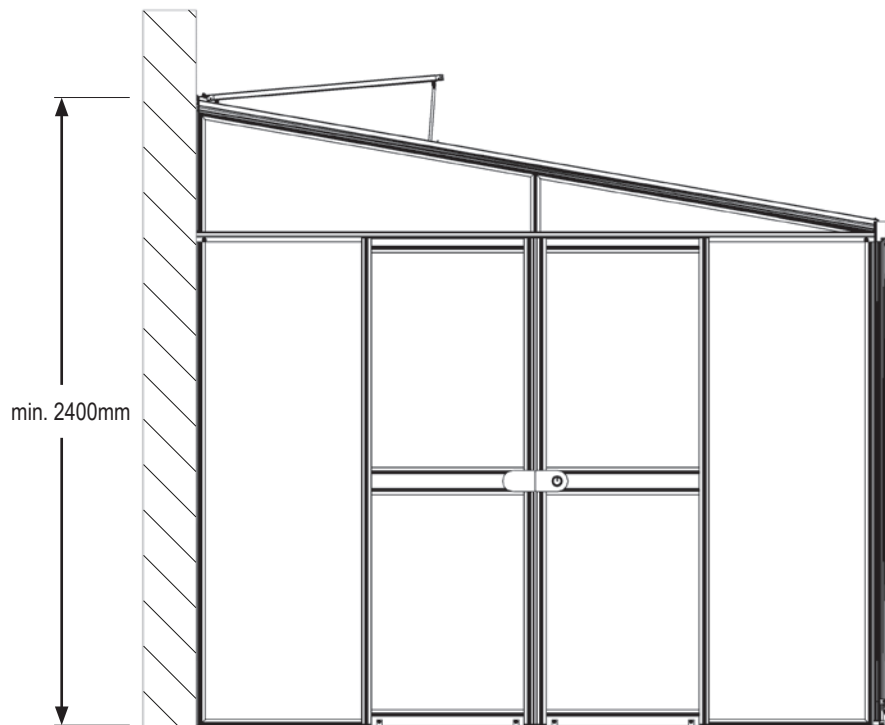
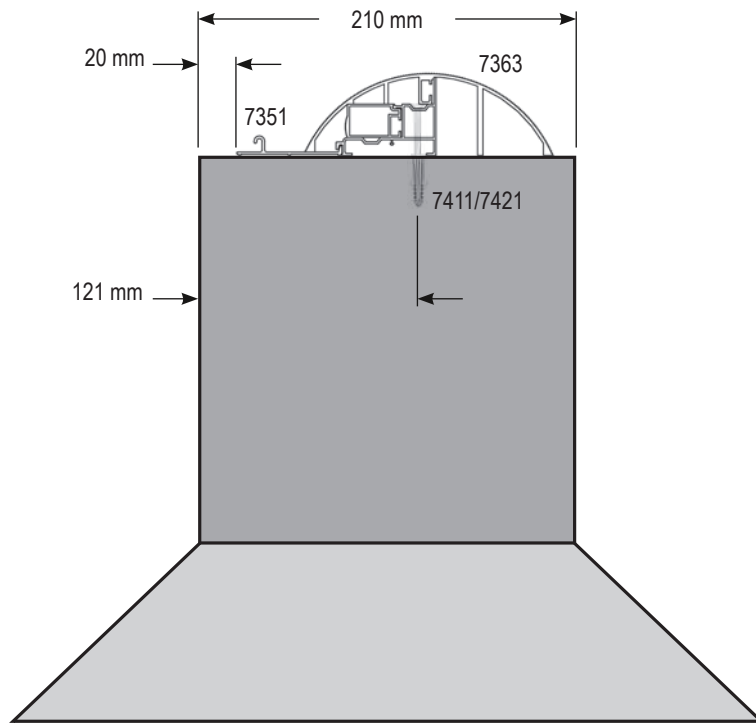
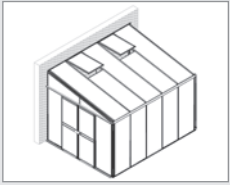
Håll snö borta från taket. Vid kraftigt snöfall rekommenderas att taket stötts.

Vi föreslår att växthuset inkluderas i hemförsäkringen.

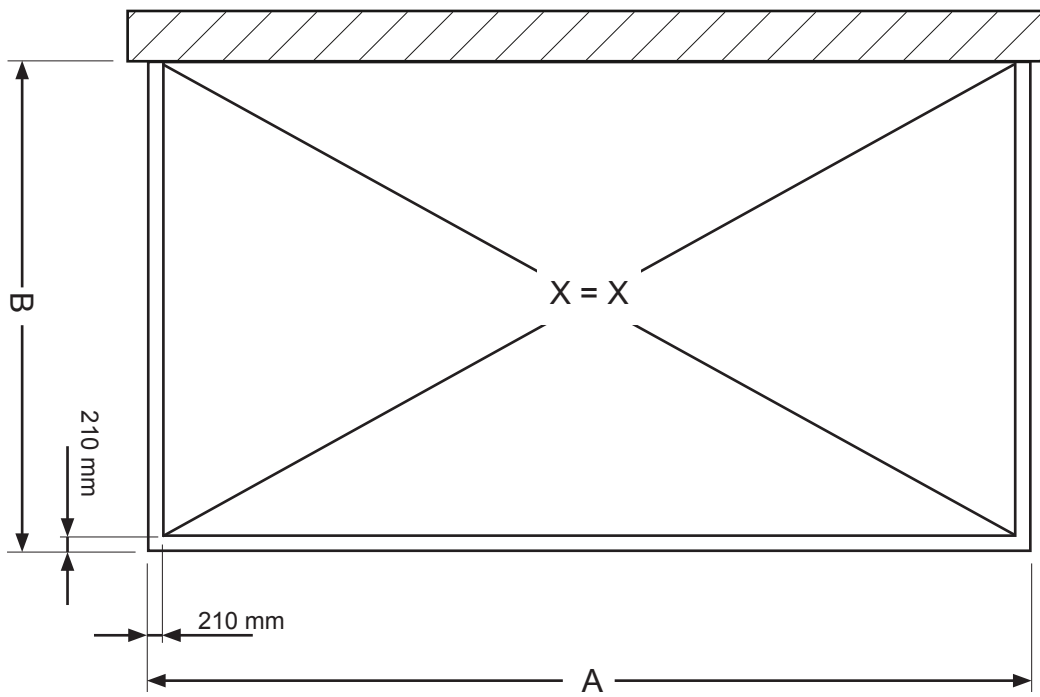
Fäst klisterlappen med modellbeteckningen på lämpligt ställe. Denna information är viktig i framtiden om reservdelar behöver beställas.







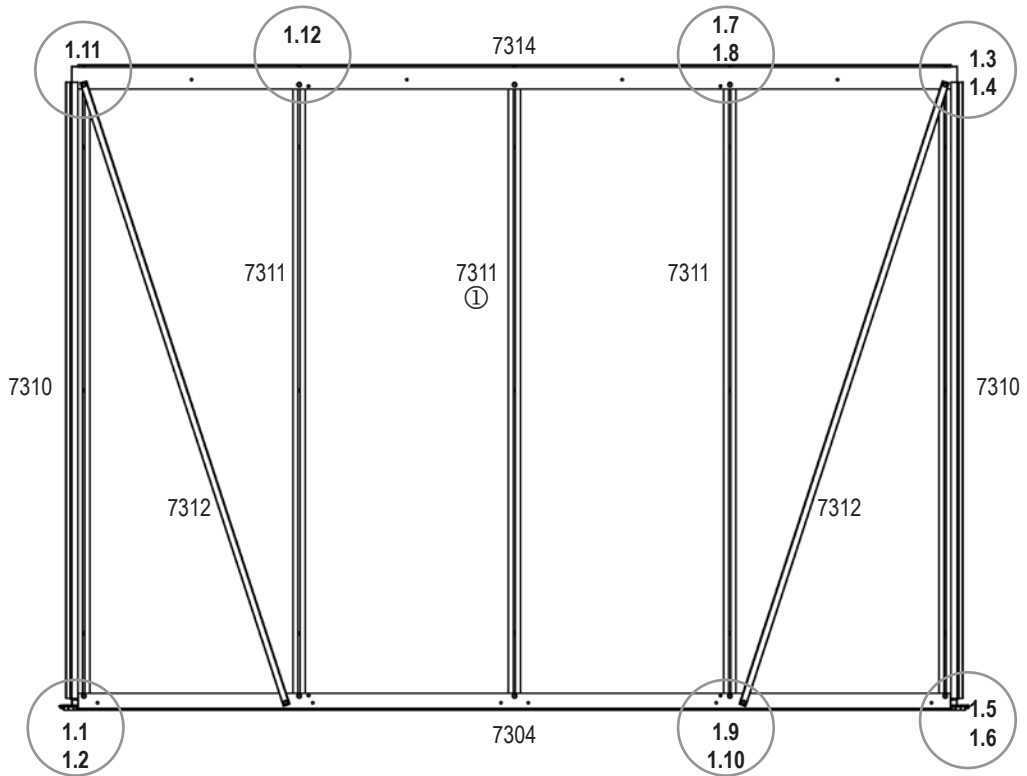
HELENA



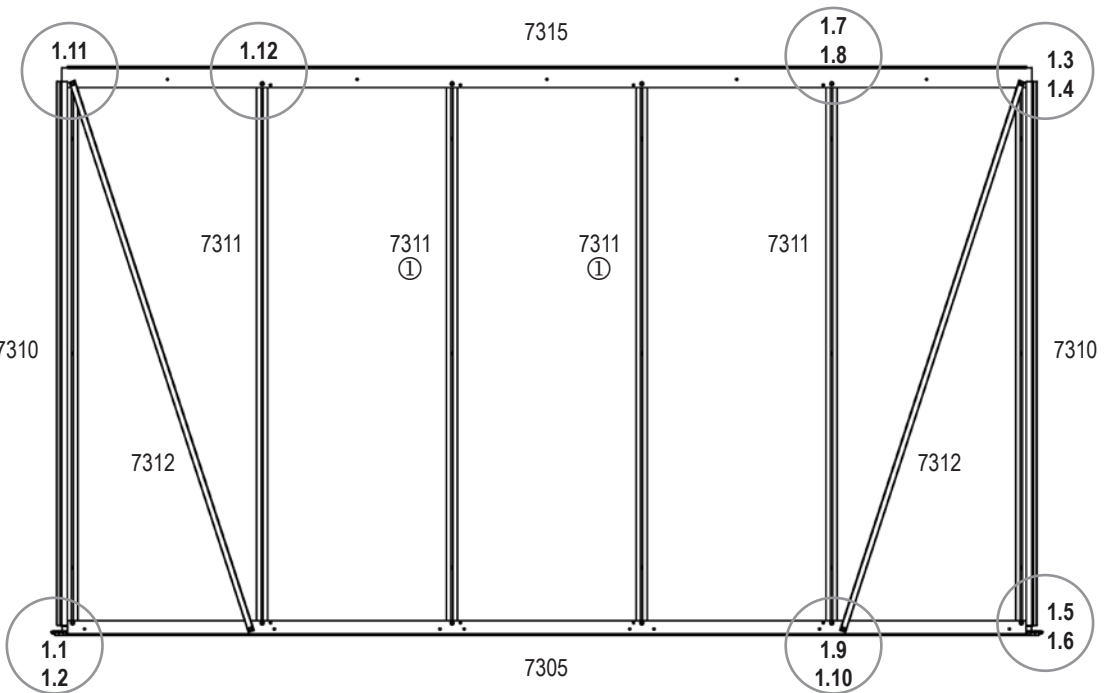
	7000	8600	10200	11900
A	2809 mm	3438 mm	4067 mm	4696 mm
B	2679 mm	2679 mm	2679 mm	2679 mm












## 7000



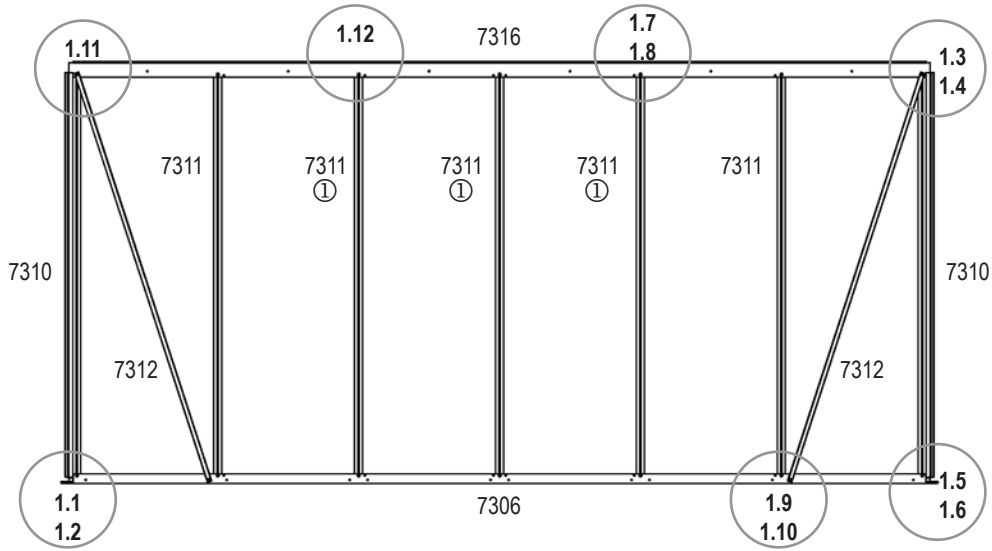
## 8600



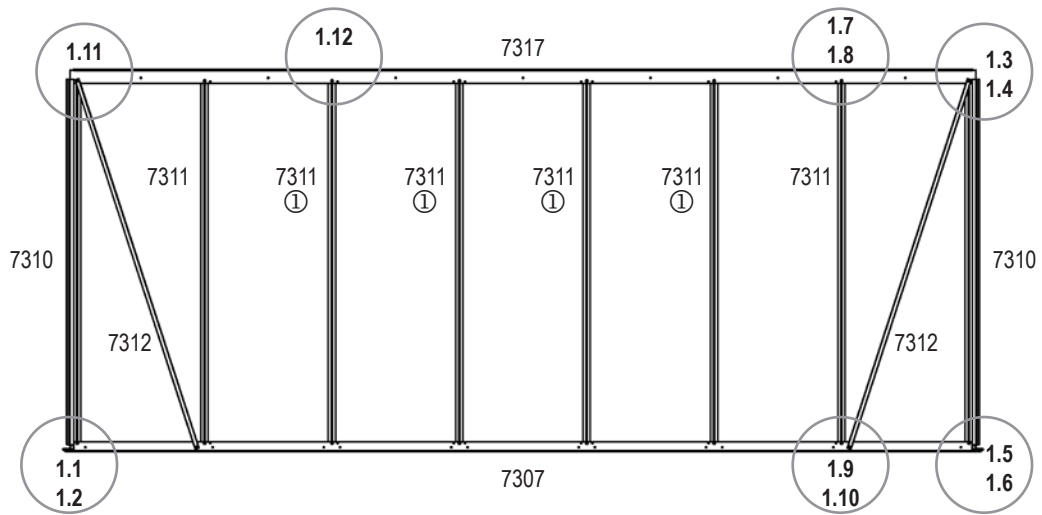
7000	8600	10200	11900
7050 			
2x	2x	2x	2x
7052 			
10x	12x	14x	16x
7053 			
12x	14x	16x	18x
			
7304	7305	7306	7307
1x	1x	1x	1x
7310 			
2x	2x	2x	2x
7311 			
3x	4x	5x	6x
7312 			
2x	2x	2x	2x
			
7314	7315	7316	7317
1x	1x	1x	1x
7396 			
1x	1x	1x	1x

HELENA

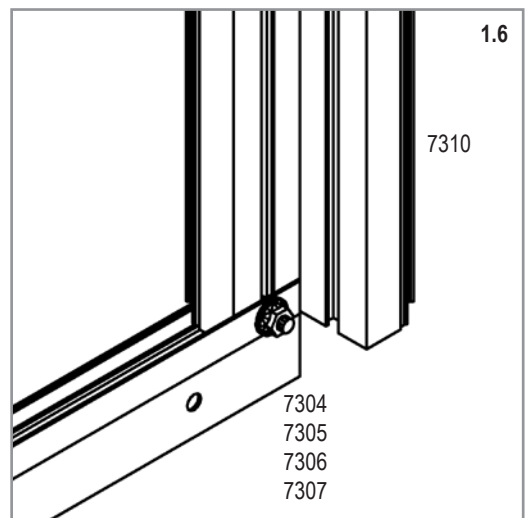
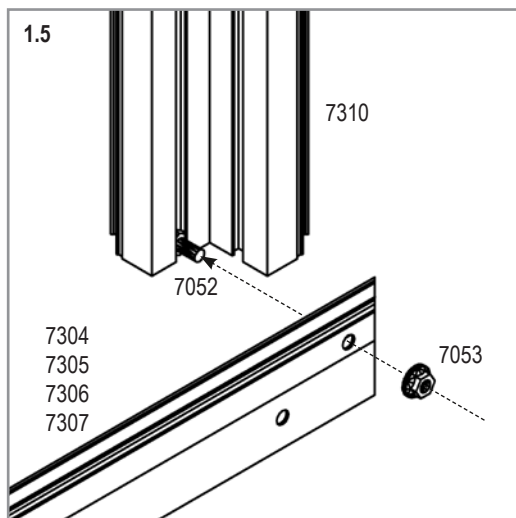
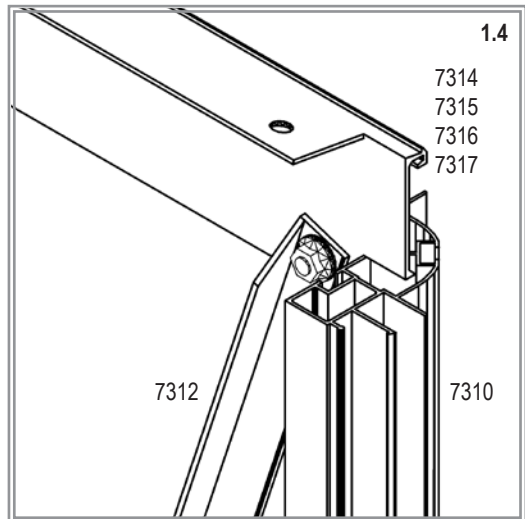
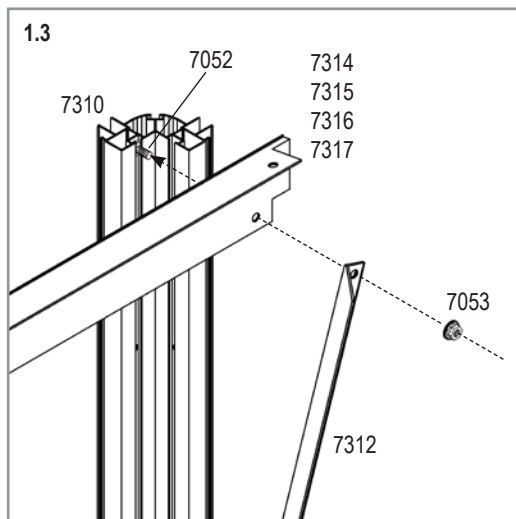
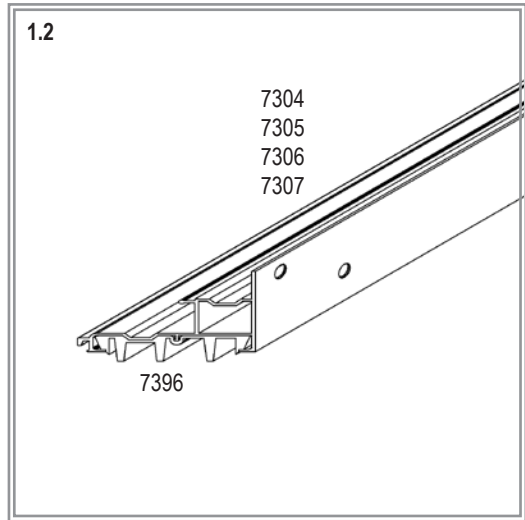
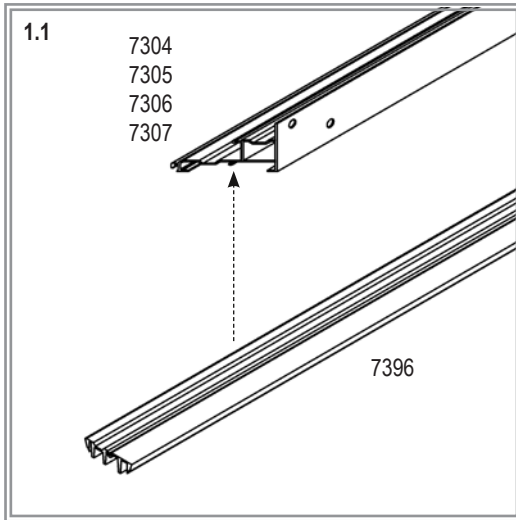
10200



11900

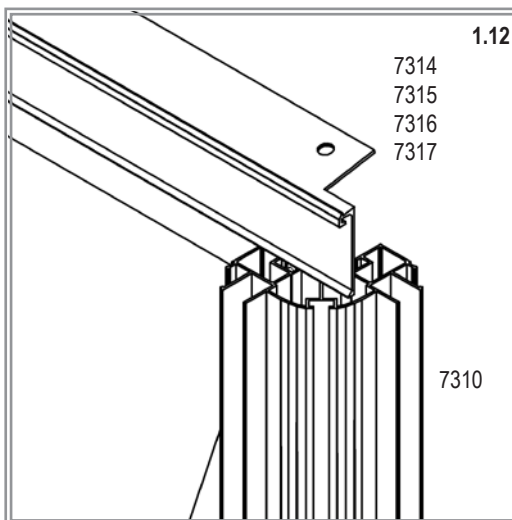
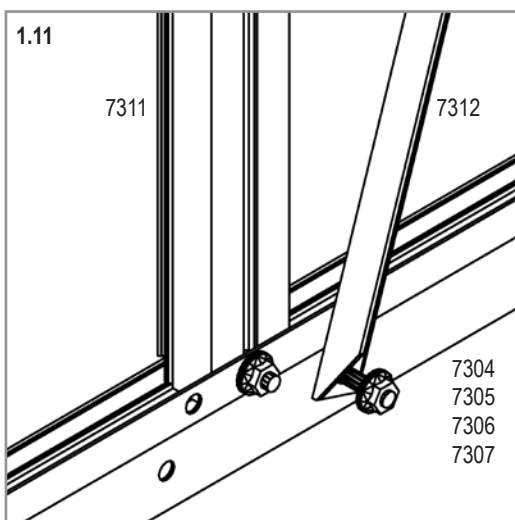
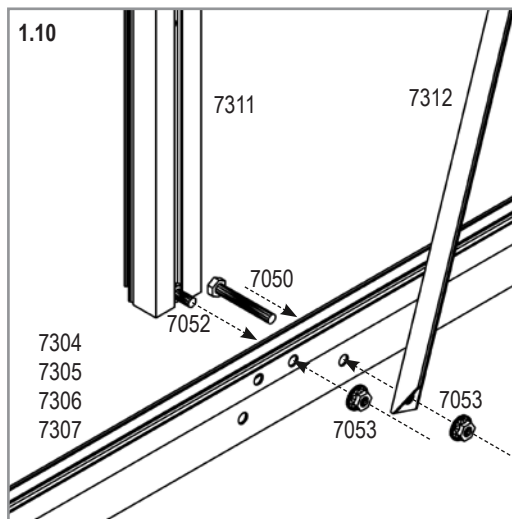
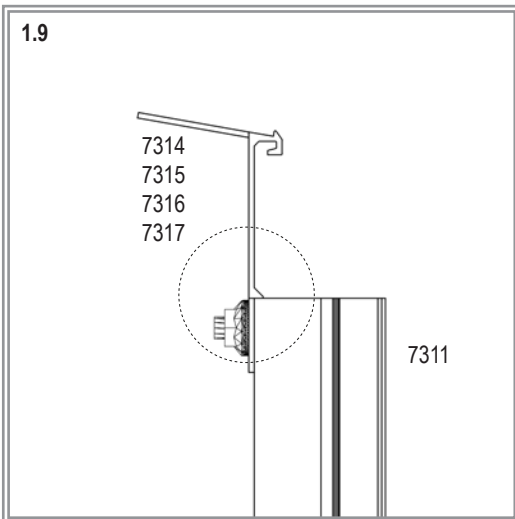
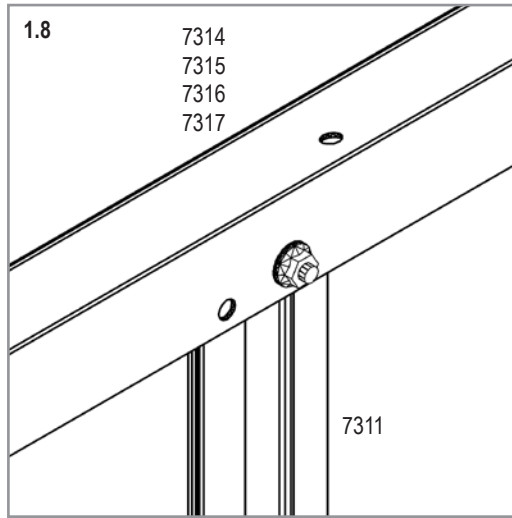
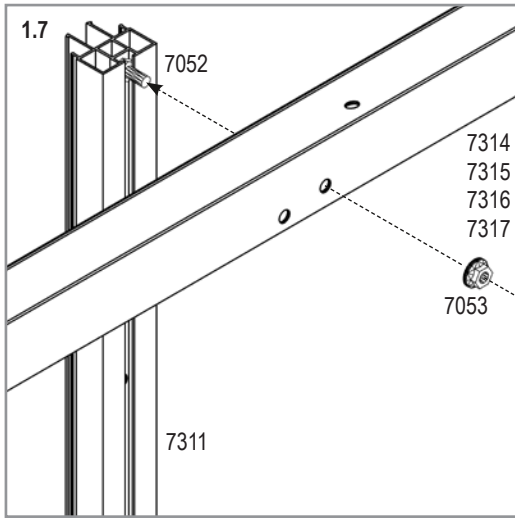


# 1











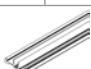
HELENA

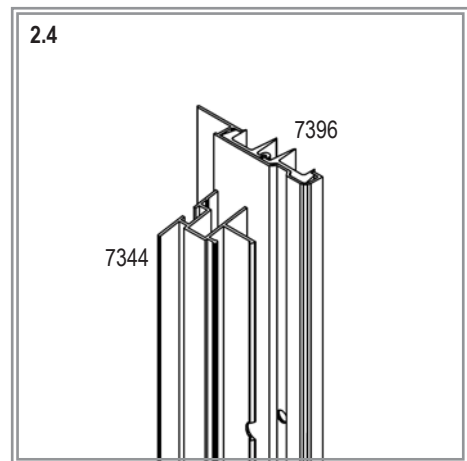
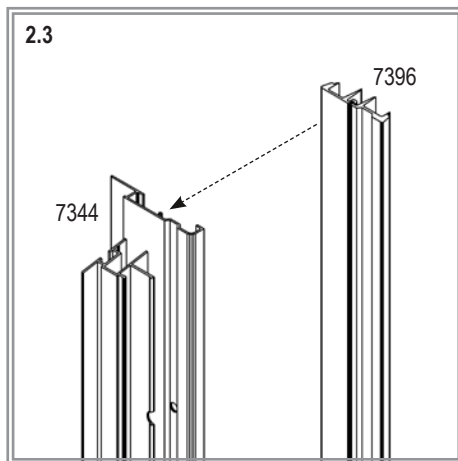
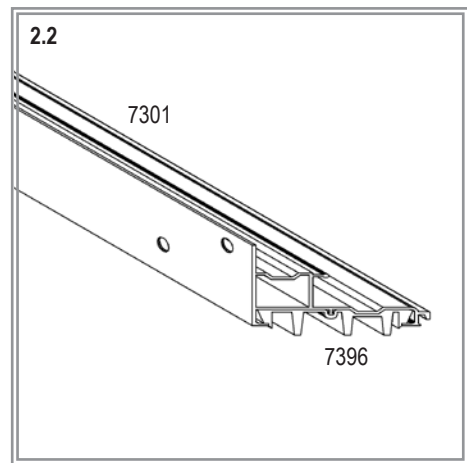
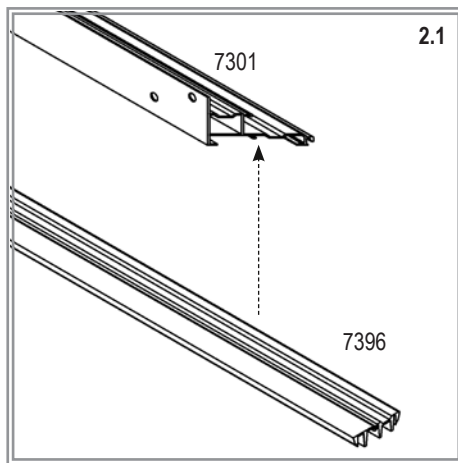
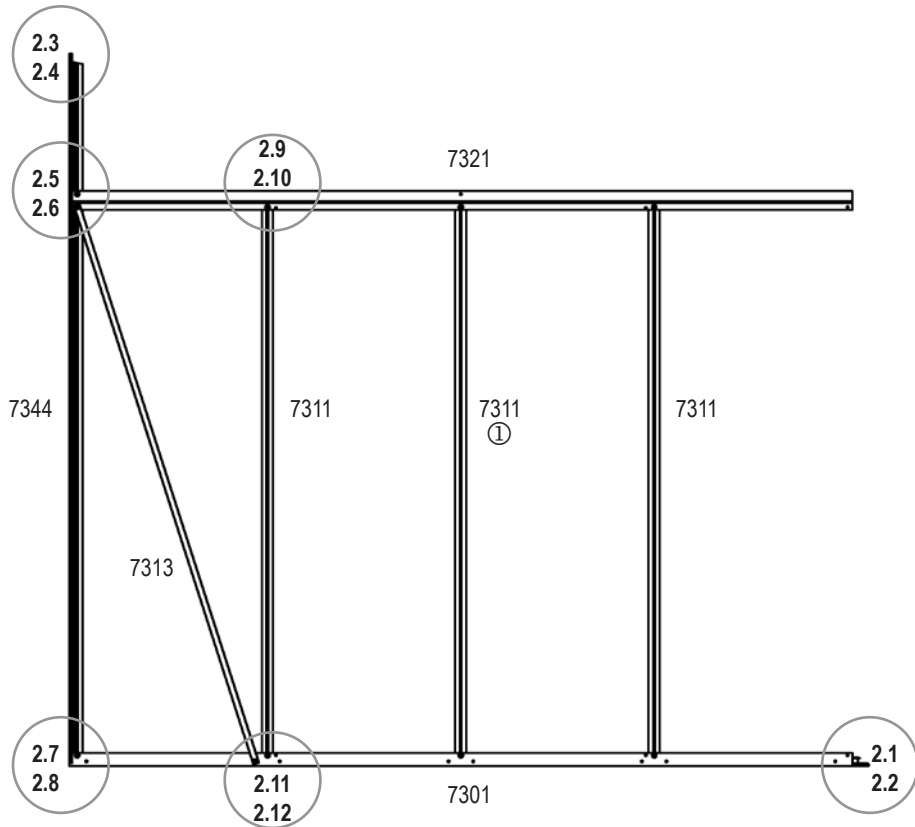
# 1



# 2



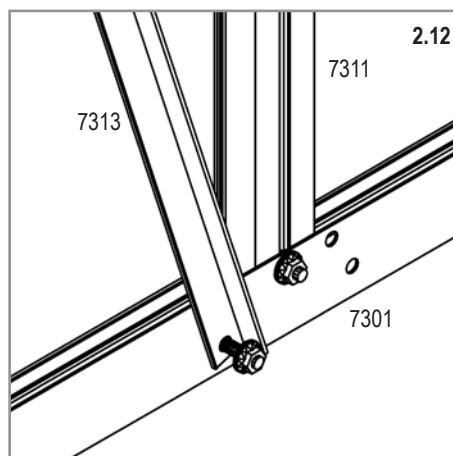
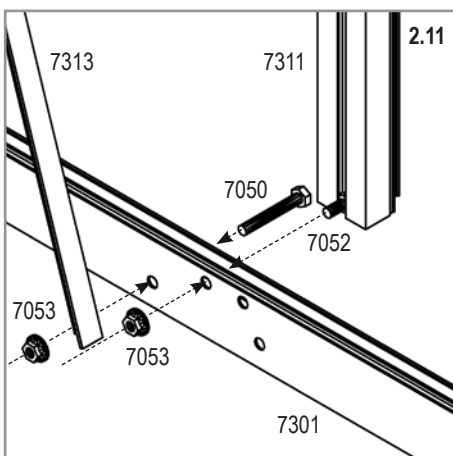
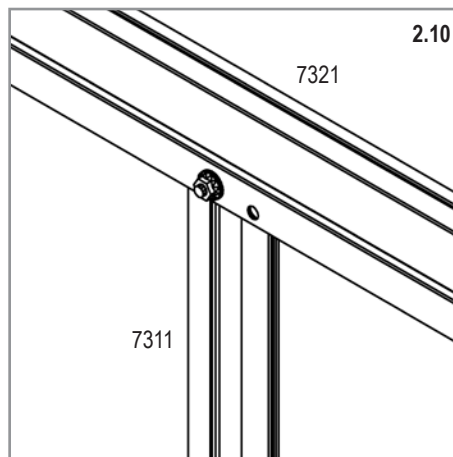
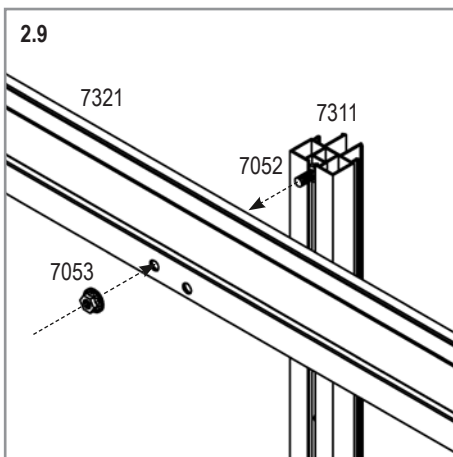
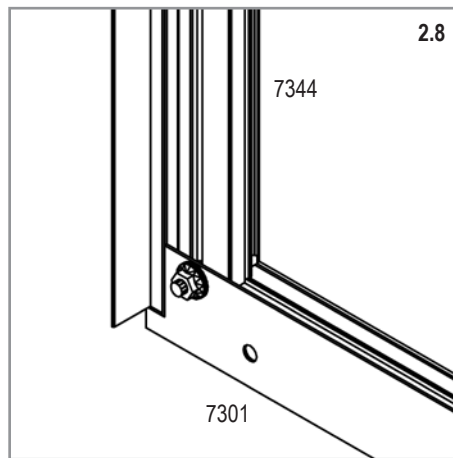
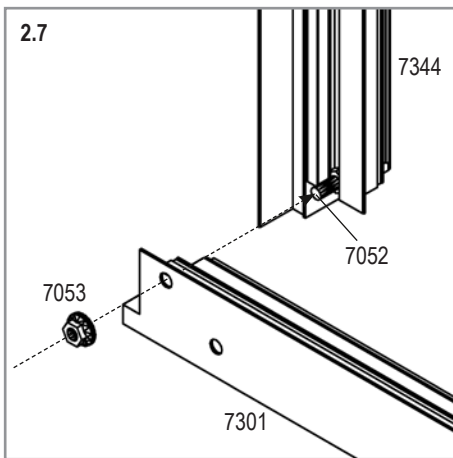
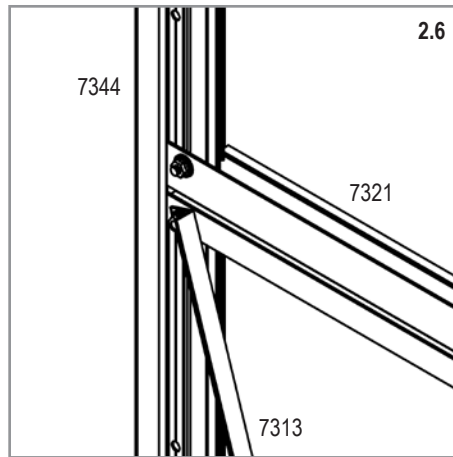
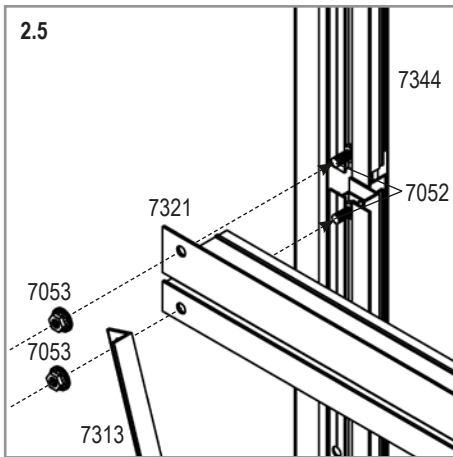
7000	8600	10200	11900
7050 			
1x	1x	1x	1x
7052 			
9x	9x	9x	9x
7053 			
10x	10x	10x	10x
7301 			
1x	1x	1x	1x
7311 			
3x	3x	3x	3x
7313 			
1x	1x	1x	1x
7321 			
1x	1x	1x	1x
7344 			
1x	1x	1x	1x
7396 			
2x	2x	2x	2x



**HELENA**











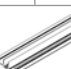
# 2

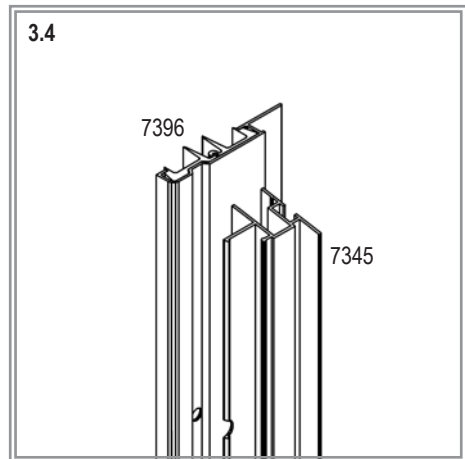
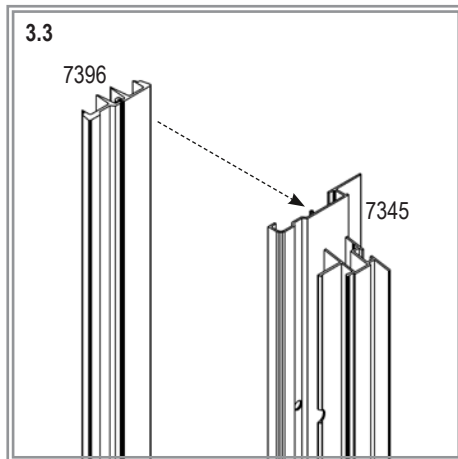
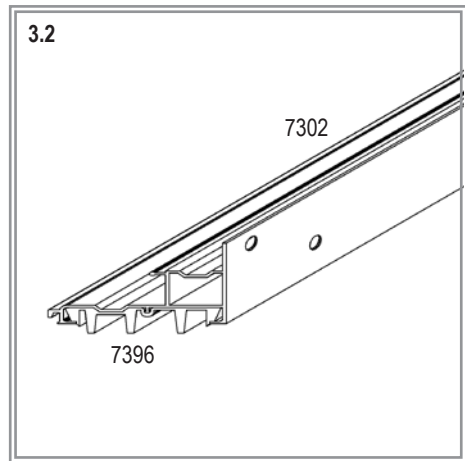
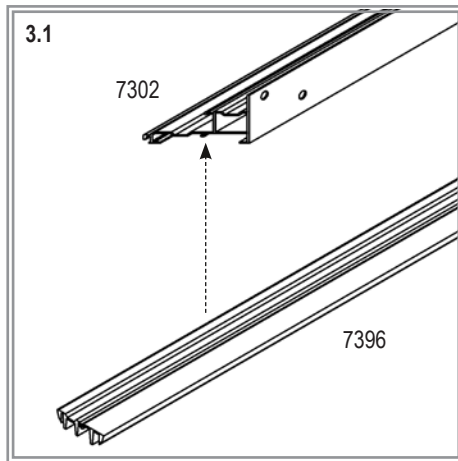
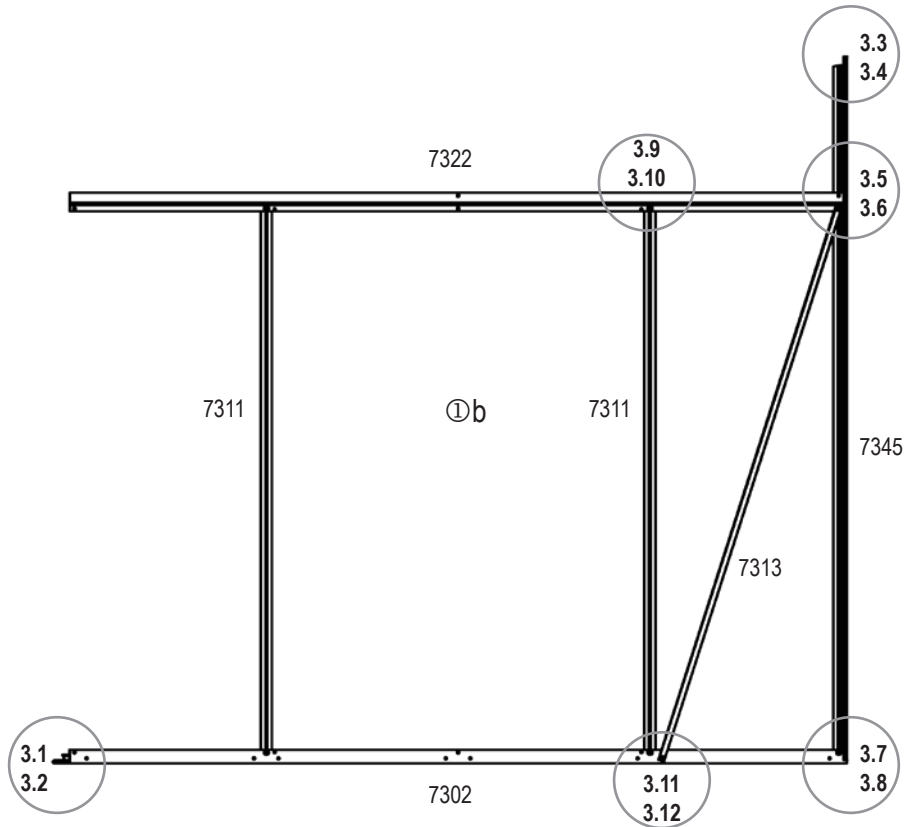


HELENA

# 3

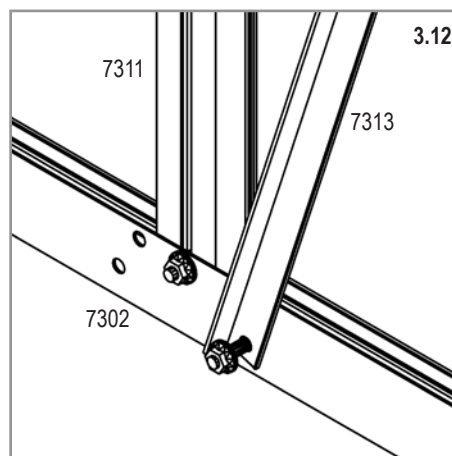
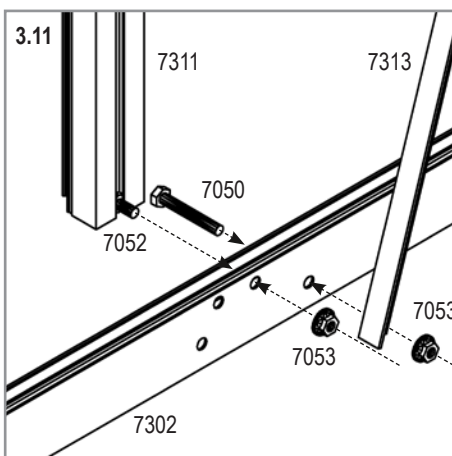
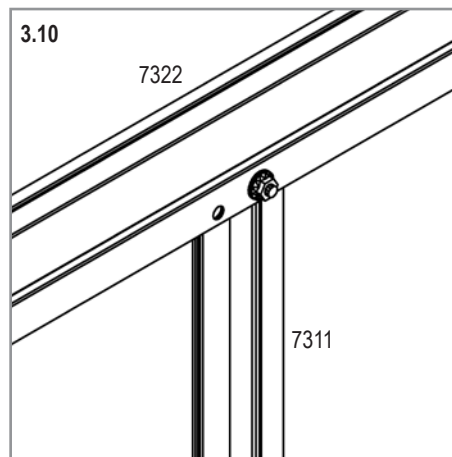
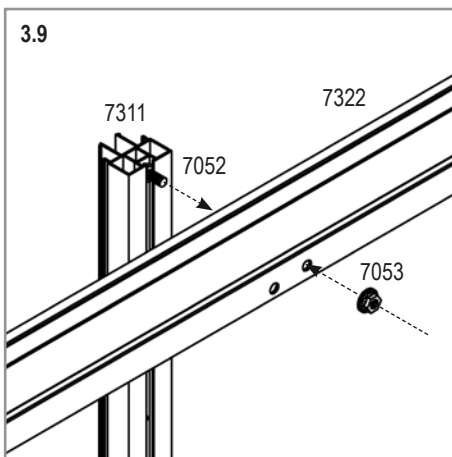
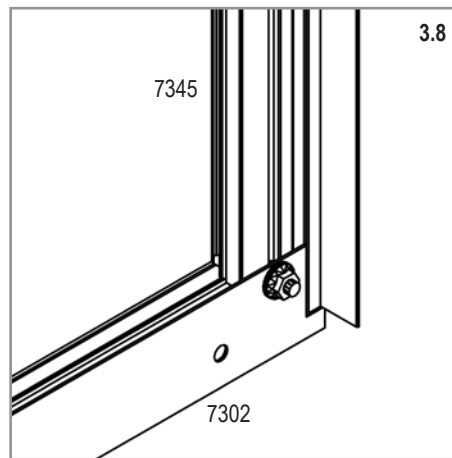
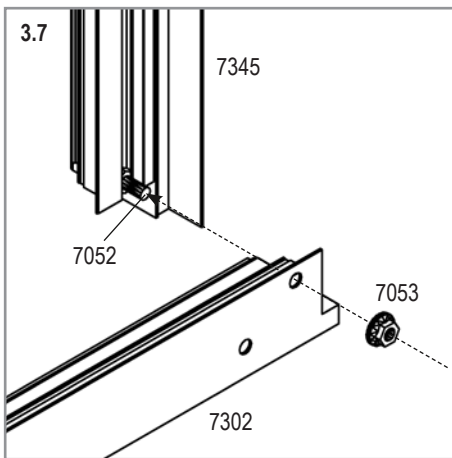
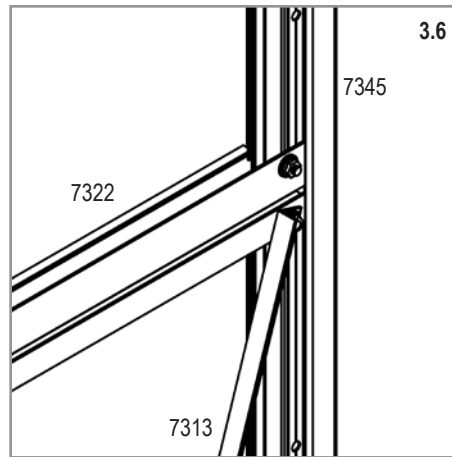
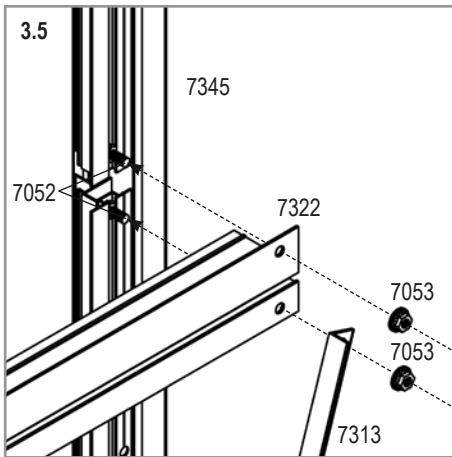


7000	8600	10200	11900
7050 			
1x	1x	1x	1x
7052 			
7x	7x	7x	7x
7053 			
8x	8x	8x	8x
7302 			
1x	1x	1x	1x
7311 			
2x	2x	2x	2x
7313 			
1x	1x	1x	1x
7322 			
1x	1x	1x	1x
7345 			
1x	1x	1x	1x
7396 			
2x	2x	2x	2x



**HELENA**

# 3



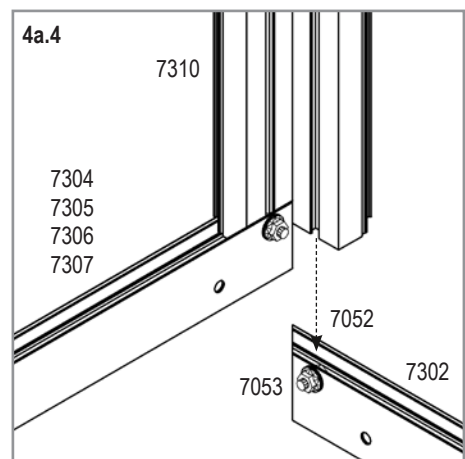
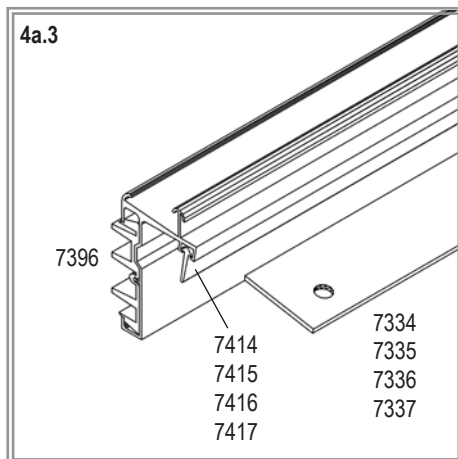
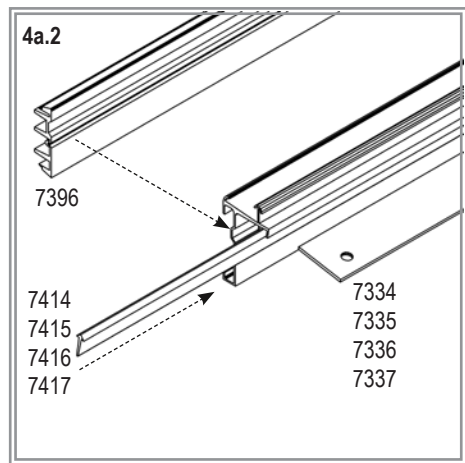
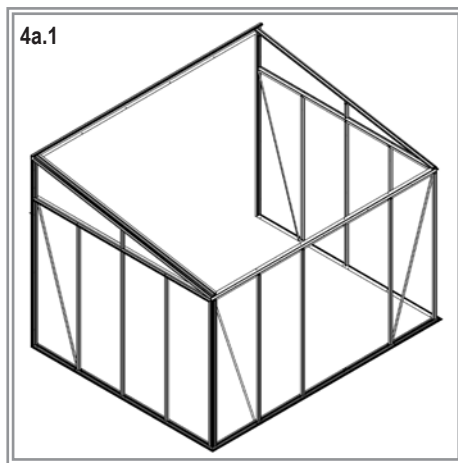
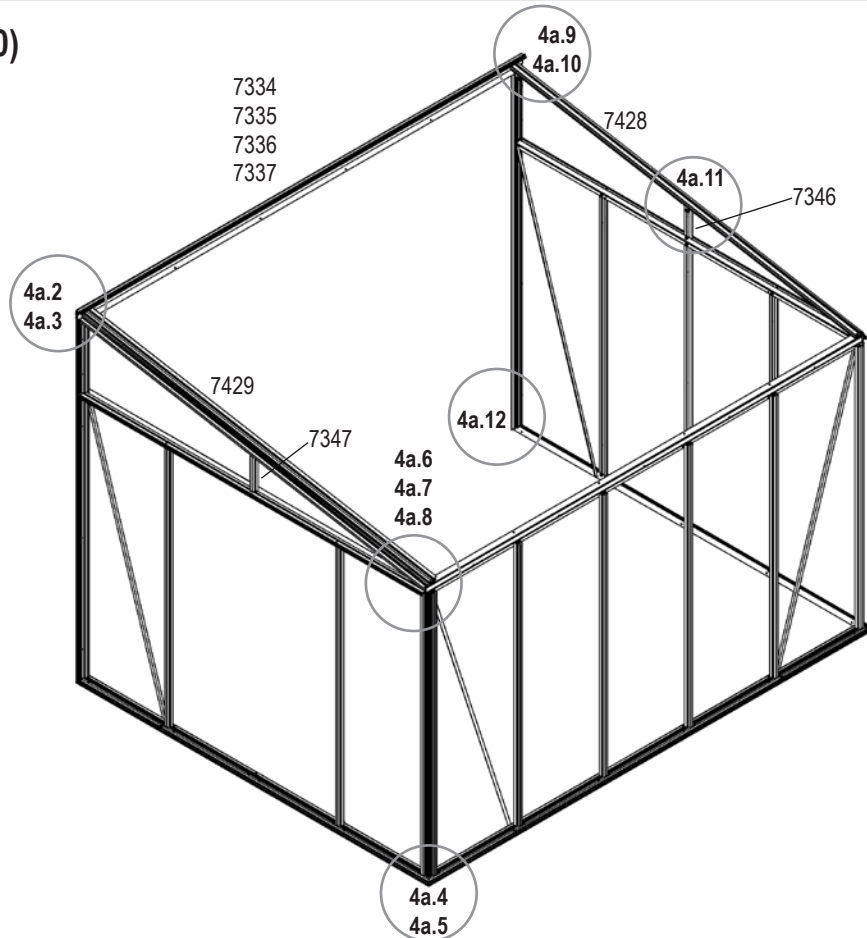
HELENA

# 4a

(8600)

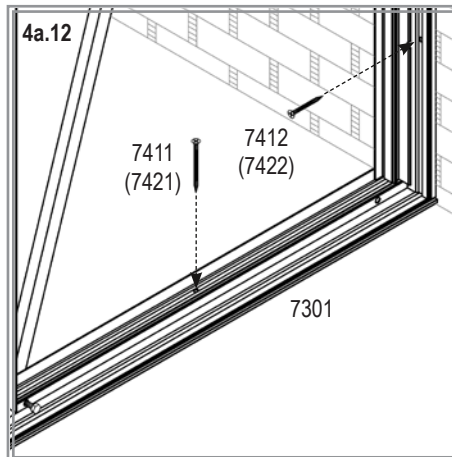
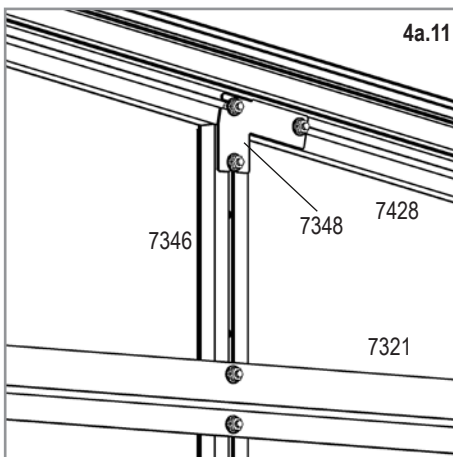
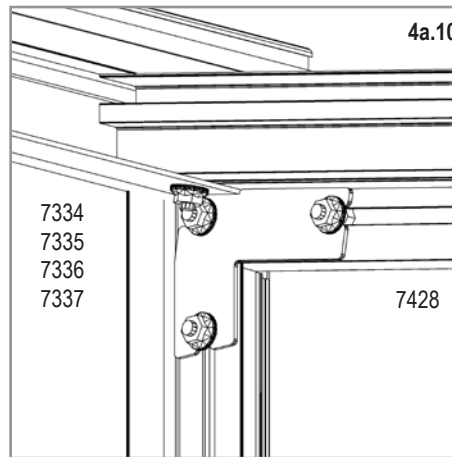
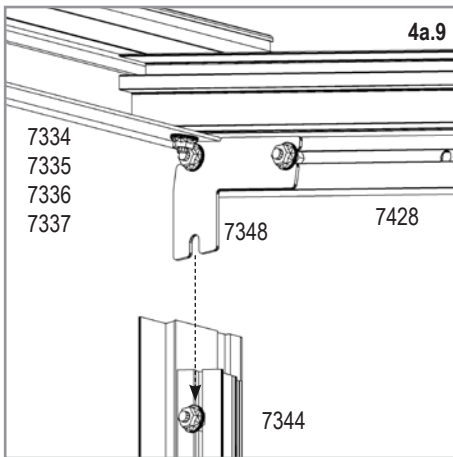
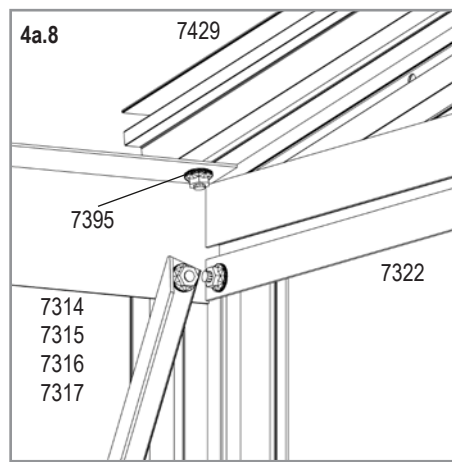
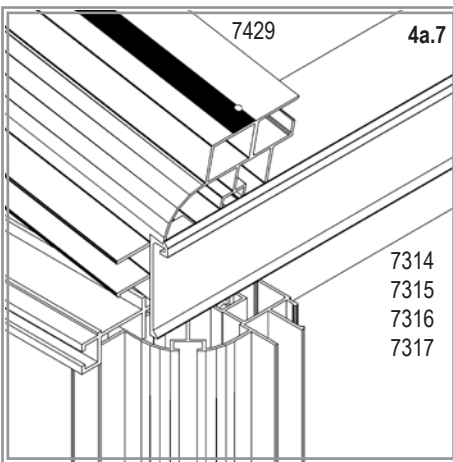
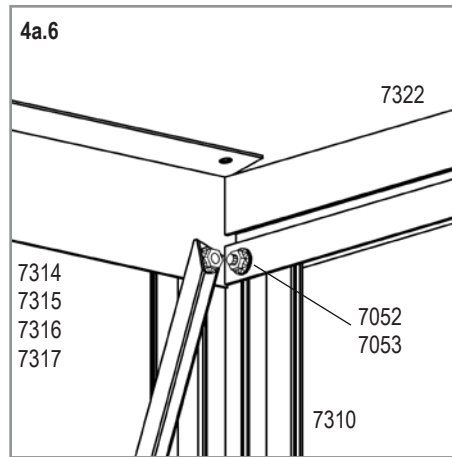
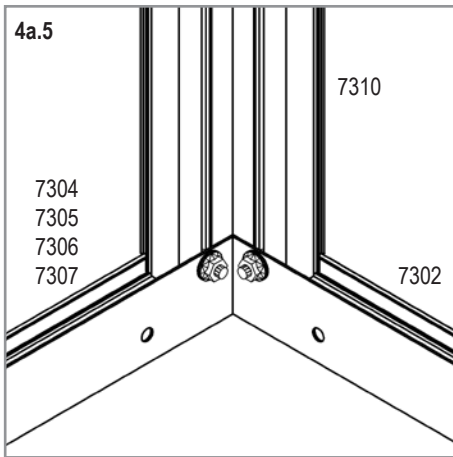


7000	8600	10200	11900
7052			
22x	22x	22x	22x
7053			
22x	22x	22x	22x
7334	7335	7336	7337
1x	1x	1x	1x
7346			
1x	1x	1x	1x
7347			
1x	1x	1x	1x
7348			
4x	4x	4x	4x
7395			
2x	2x	2x	2x
7396			
1x	1x	1x	1x
7411			
12x	13x	14x	15x
7412			
10x	10x	10x	10x
7414	7415	7416	7417
1x	1x	1x	1x
7421			
12x	13x	14x	15x
7422			
10x	10x	10x	10x
7428			
1x	1x	1x	1x
7429			
1x	1x	1x	1x



**HELENA**

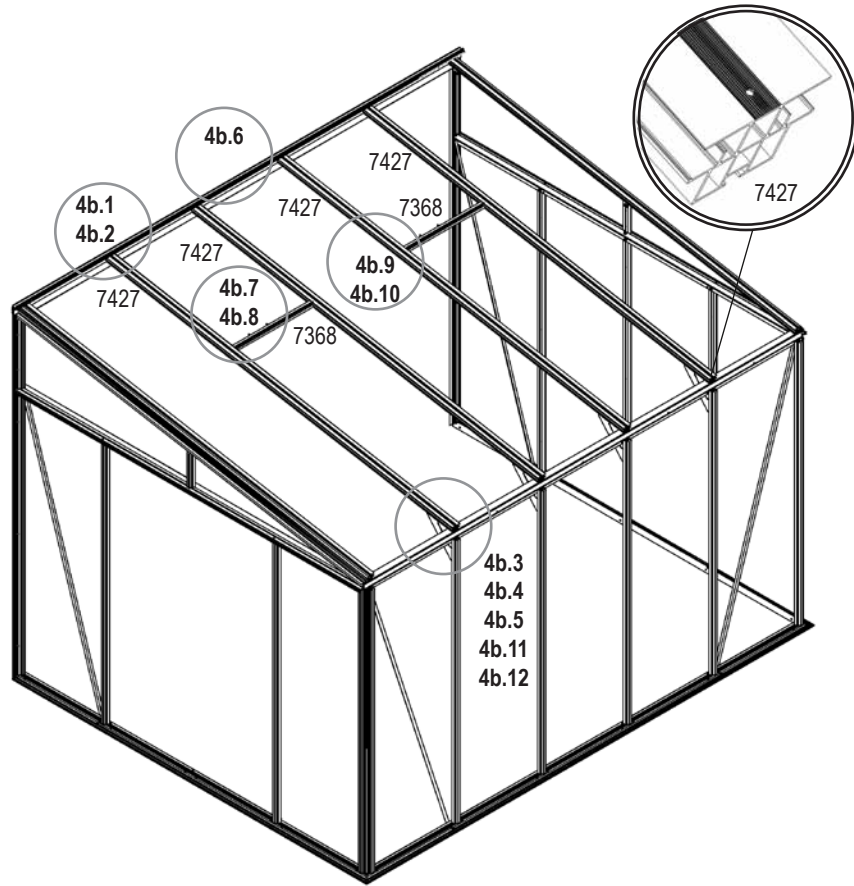
# 4a



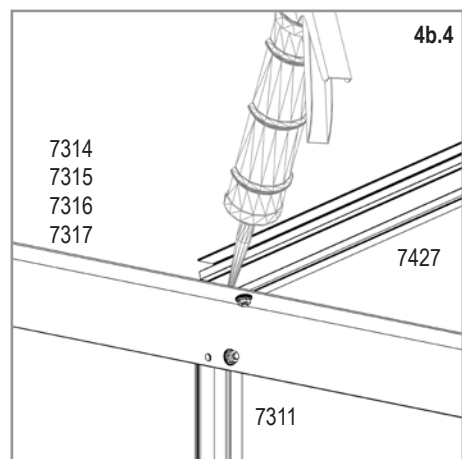
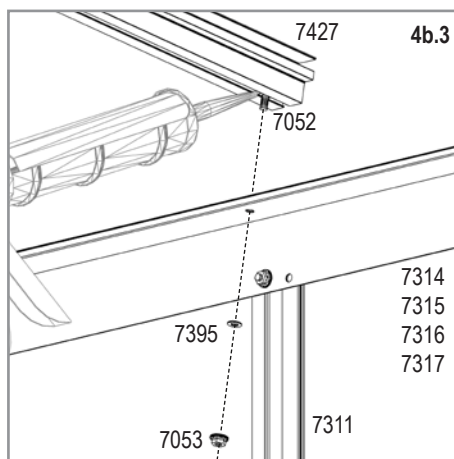
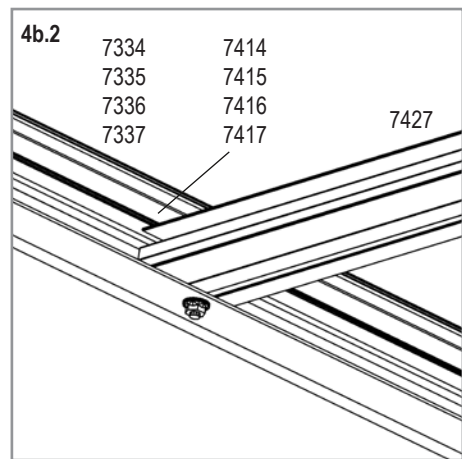
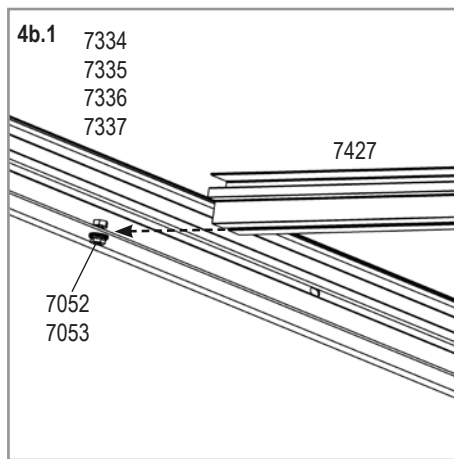
HELENA

# 4b

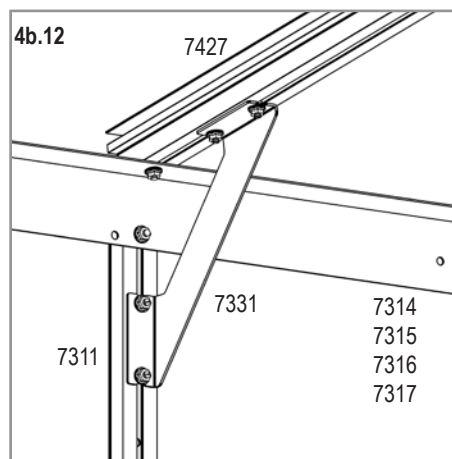
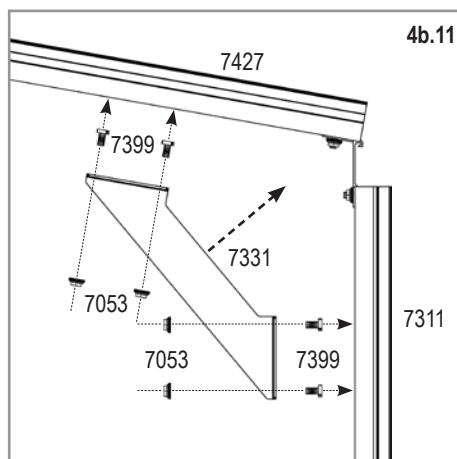
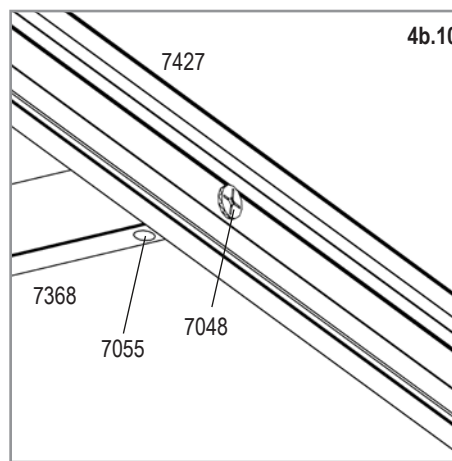
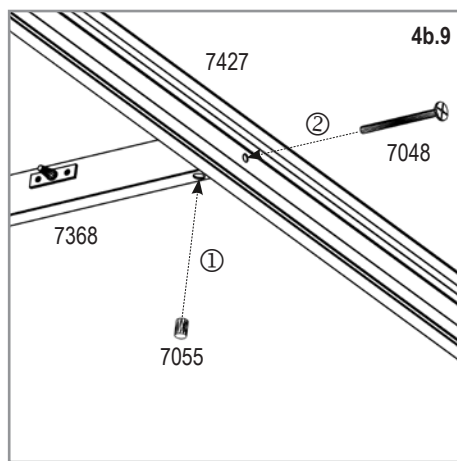
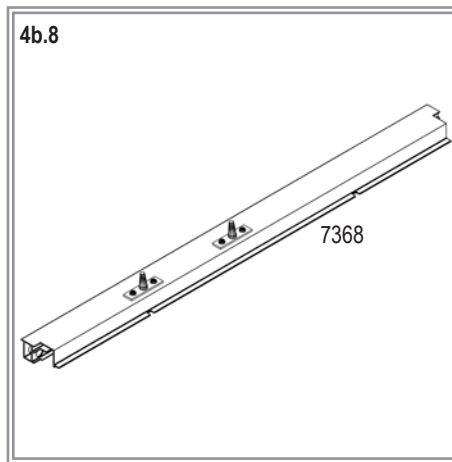
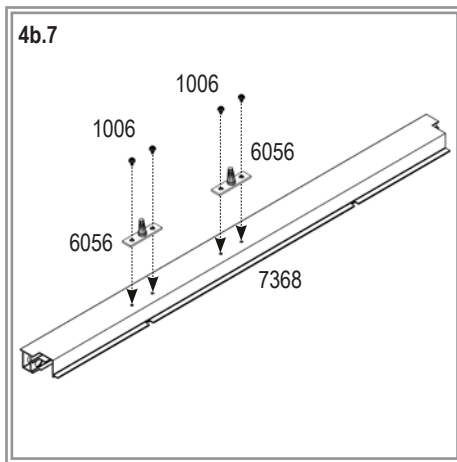
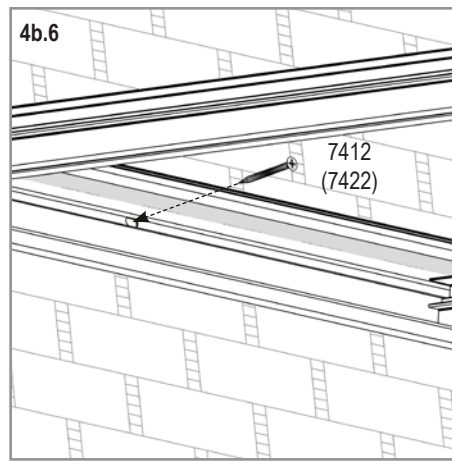
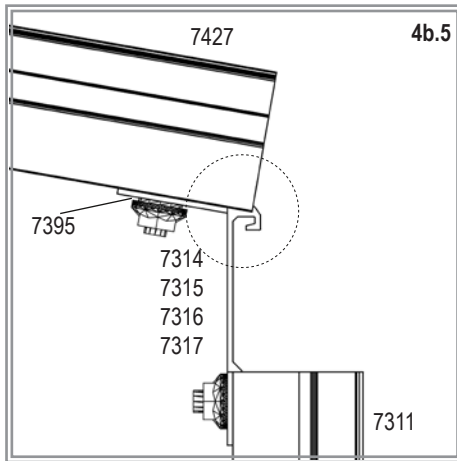
(8600)



7000	8600	10200	11900
1006			
4x	8x	8x	12x
6056			
2x	4x	4x	6x
7048			
2x	4x	4x	6x
7052			
6x	8x	10x	12x
7053			
18x	24x	30x	36x
7055			
2x	4x	4x	6x
7331			
3x	4x	5x	6x
7368			
1x	2x	2x	3x
7395			
3x	4x	5x	6x
7399			
12x	16x	20x	24x
7412			
4x	5x	6x	7x
7422			
4x	5x	6x	7x
7427			
3x	4x	5x	6x
<b>HELENA</b>			



# 4b

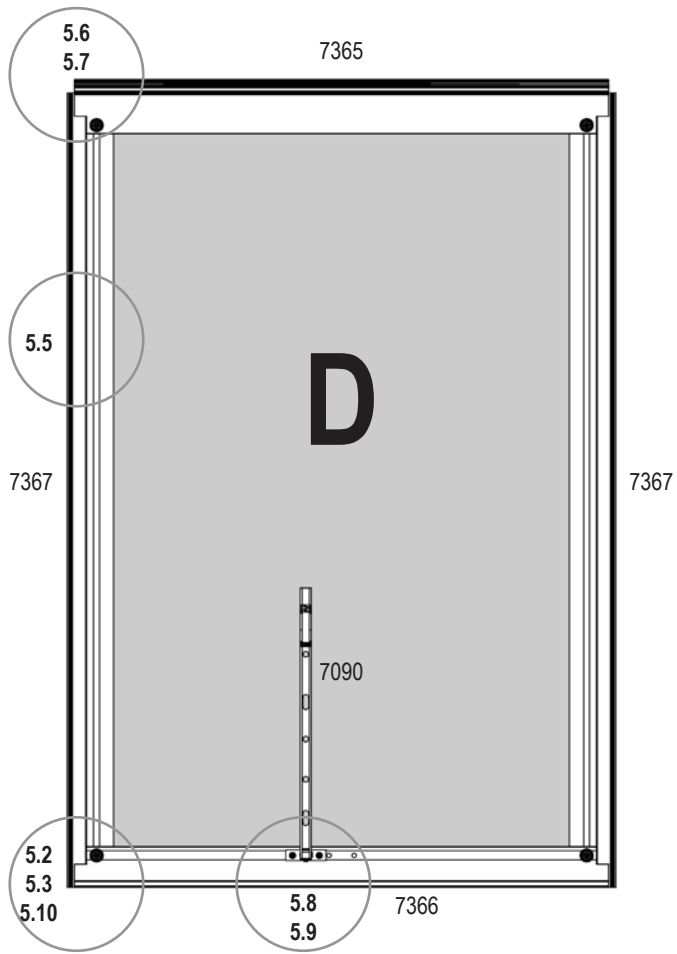


HELENA

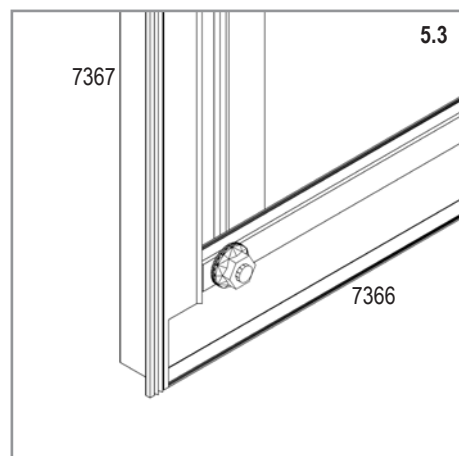
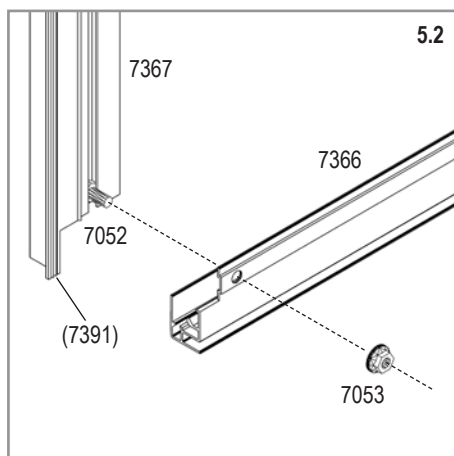
# 5



7000	8600	10200	11900
1x	2x	2x	3x
1006			
2x 1	2x 2	2x 2	2x 3
6070			
4x 1	4x 2	4x 2	4x 3
7052			
4x 1	4x 2	4x 2	4x 3
7053			
4x 1	4x 2	4x 2	4x 3
7090			
1x 1	1x 2	1x 2	1x 3
7365			
1x 1	1x 2	1x 2	1x 3
7366			
1x 1	1x 2	1x 2	1x 3
7367 (7391)			
2x 1	2x 2	2x 2	2x 3



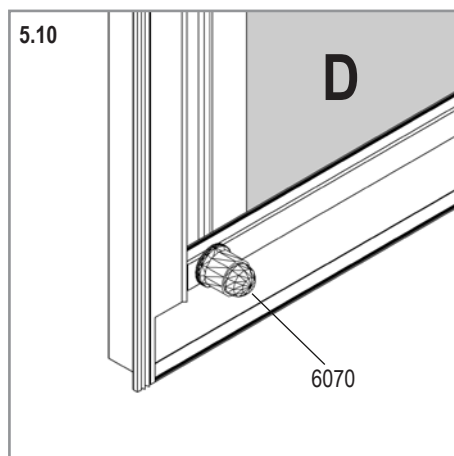
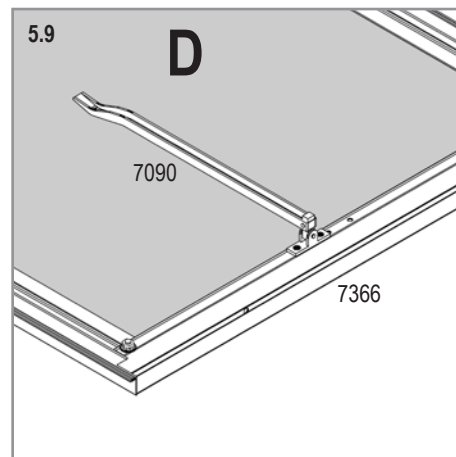
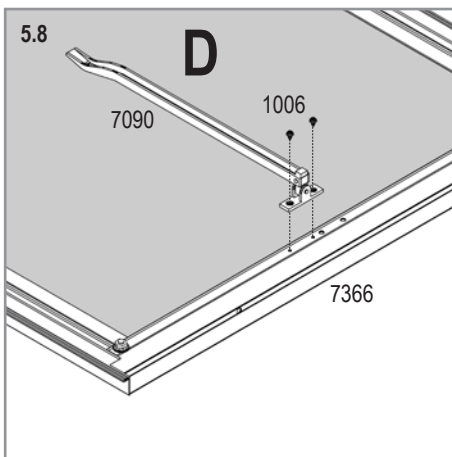
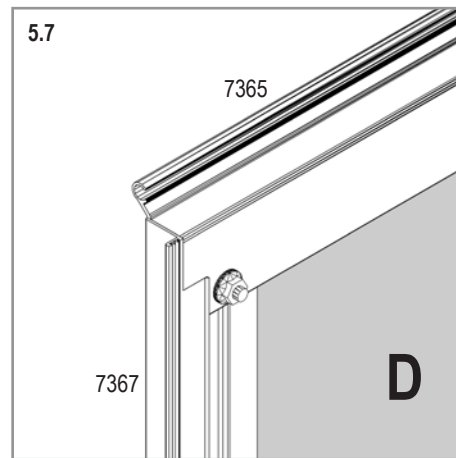
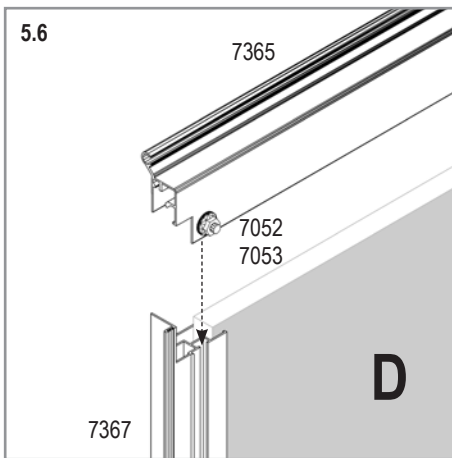
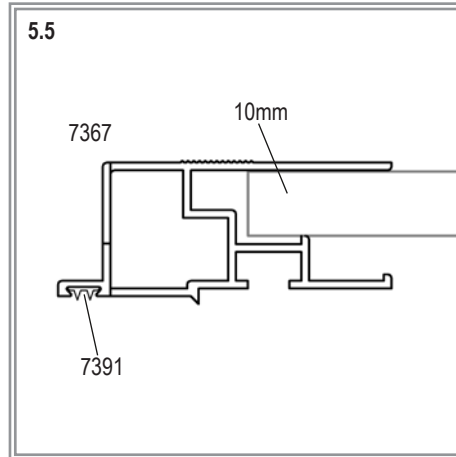
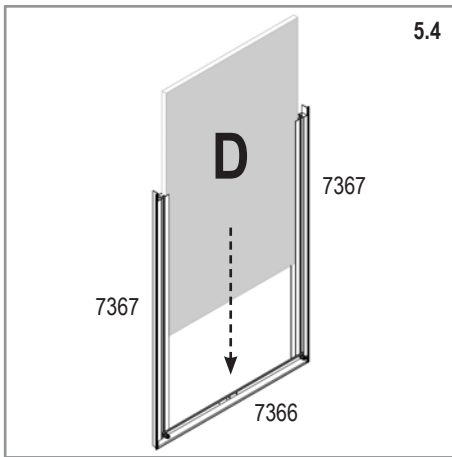
5.1	POLYCARBONATE		QUANTITY / MODEL			
	10 MM		7000	8600	10200	11900
	ART. No.	MM				
D	369581	555 x 870	1x1	1x2	1x2	1x3



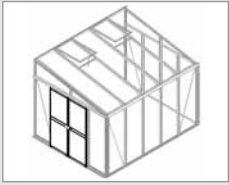
**HELENA**














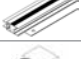











# 5



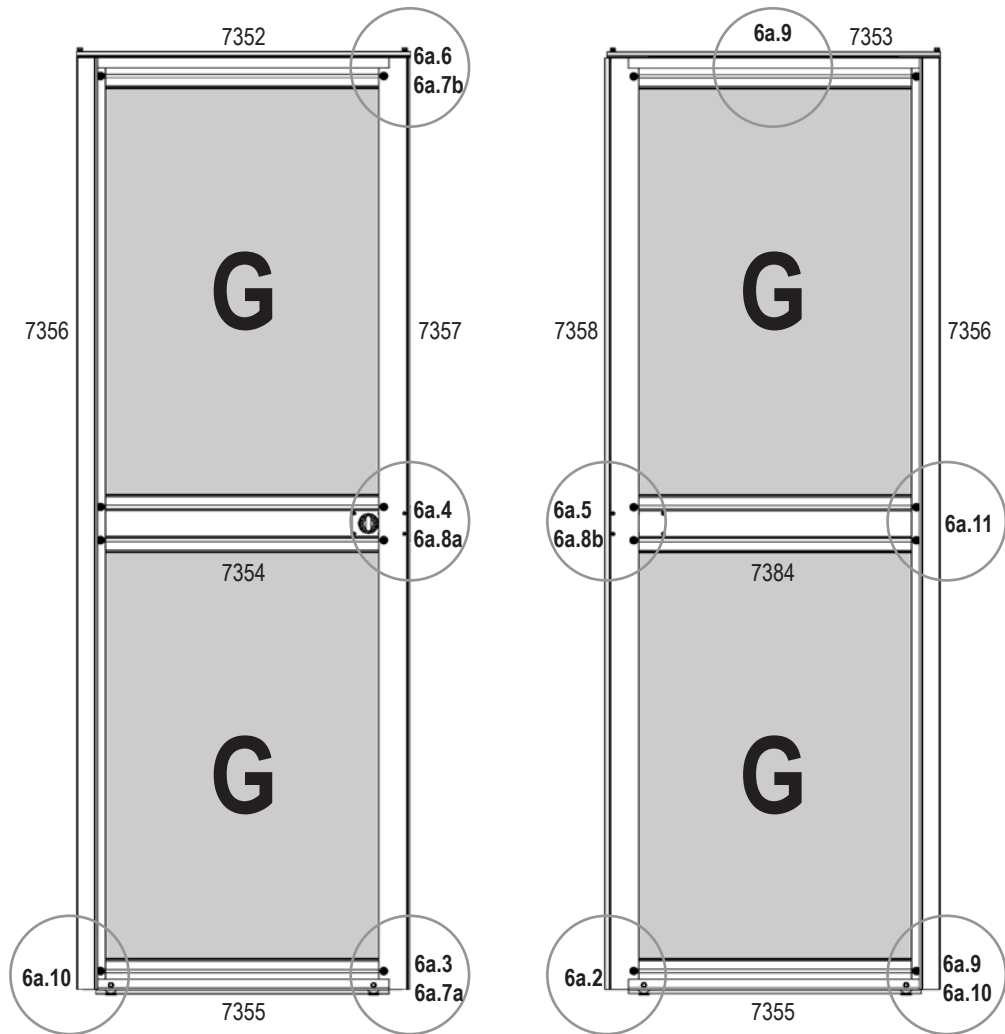
# 6a



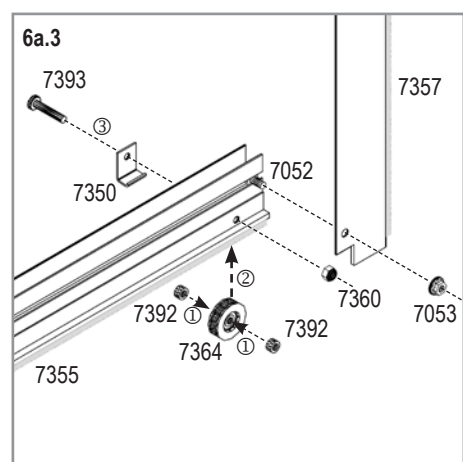
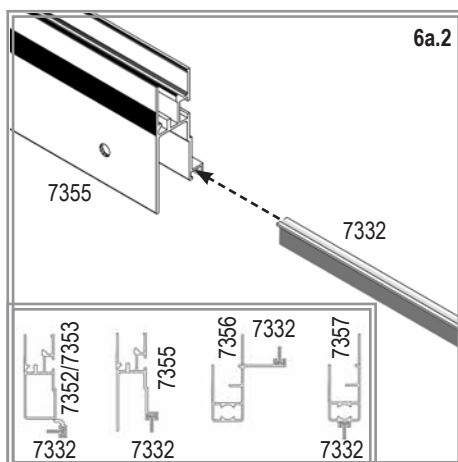
## All Models

- 2271 4x 
- 7052 16x 
- 7053 16x 
- 7332 1x 
- 7350 4x 
- 7352 1x 
- 7353 1x 
- 7354 1x 
- 7355 2x 
- 7356 2x 
- 7357 1x 
- 7358 1x 
- 7360 4x 
- 7364 4x 
- 7384 1x 
- 7392 8x 
- 7393 4x 
- 7400 1x 
- 7401 1x 
- 7402 1x 
- 7404 8x 
- 7405 4x 
- 7420 1x 

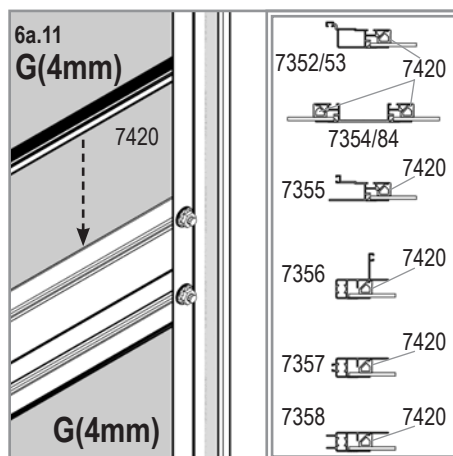
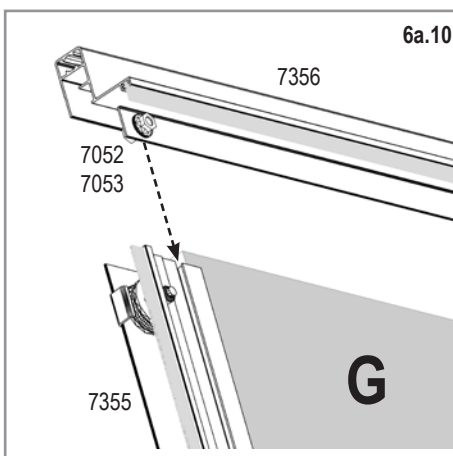
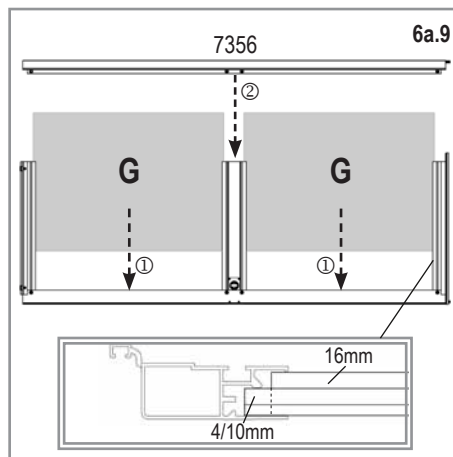
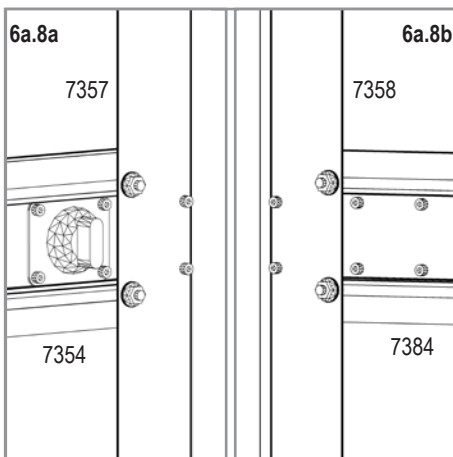
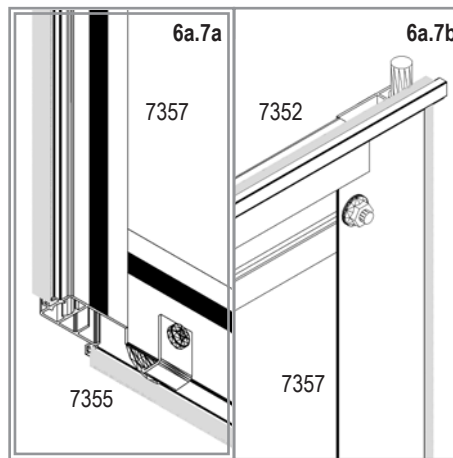
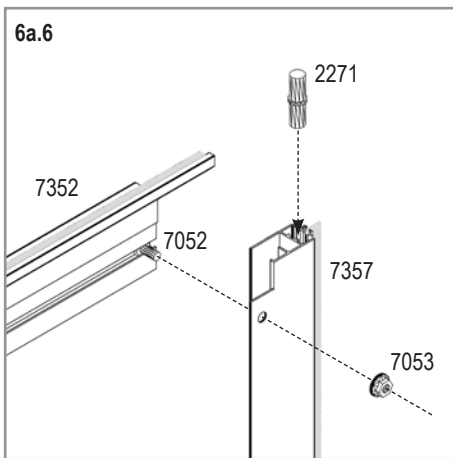
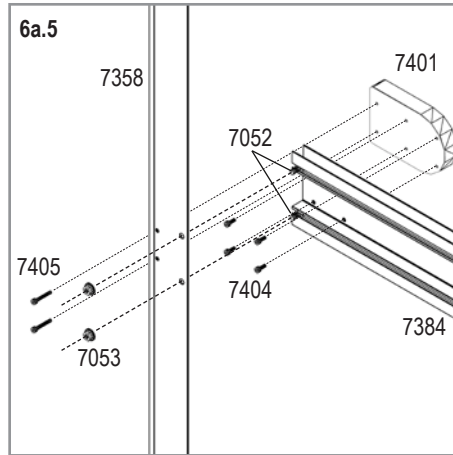
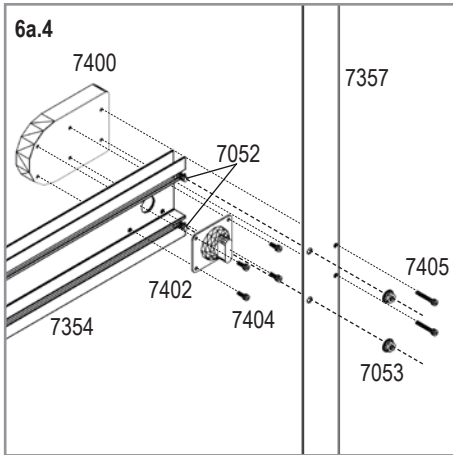
## HELENA



6a.1	GLASS		POLYCARBONATE				QUANTITY / MODEL			
	4 MM		10 MM		16 MM		7000	8600	10200	11900
	ART. No.	MM	ART. No.	MM	ART. No.	MM				
G	367853	619 x 843	369586	619 x 843	369596	595 x 823	4x	4x	4x	4x



# 6a



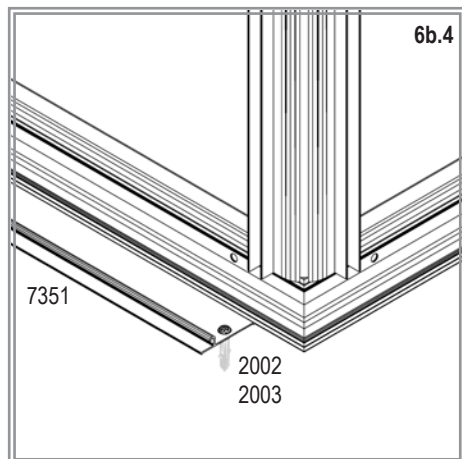
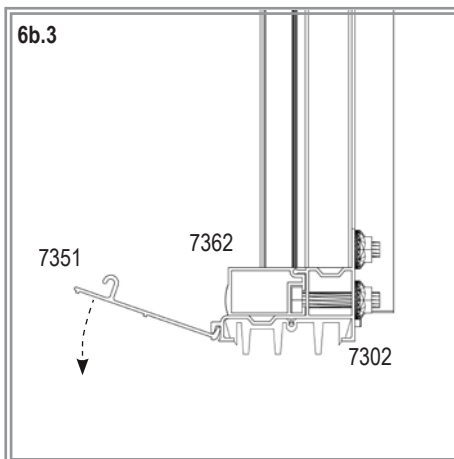
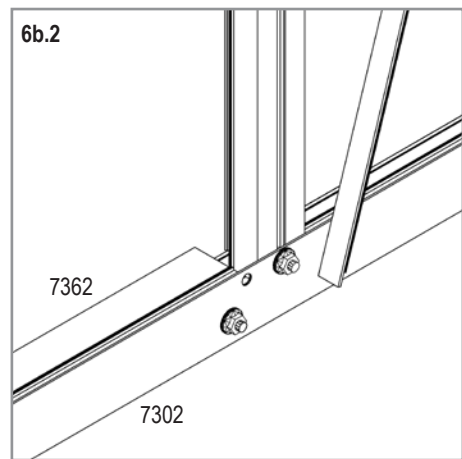
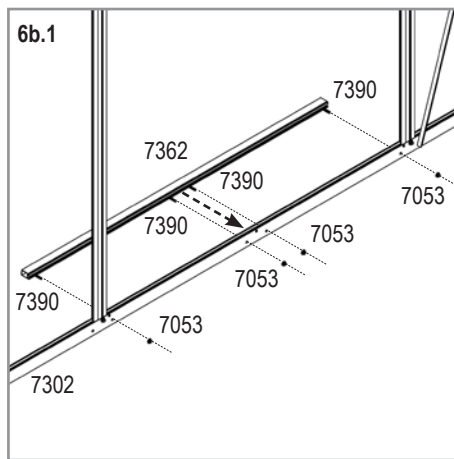
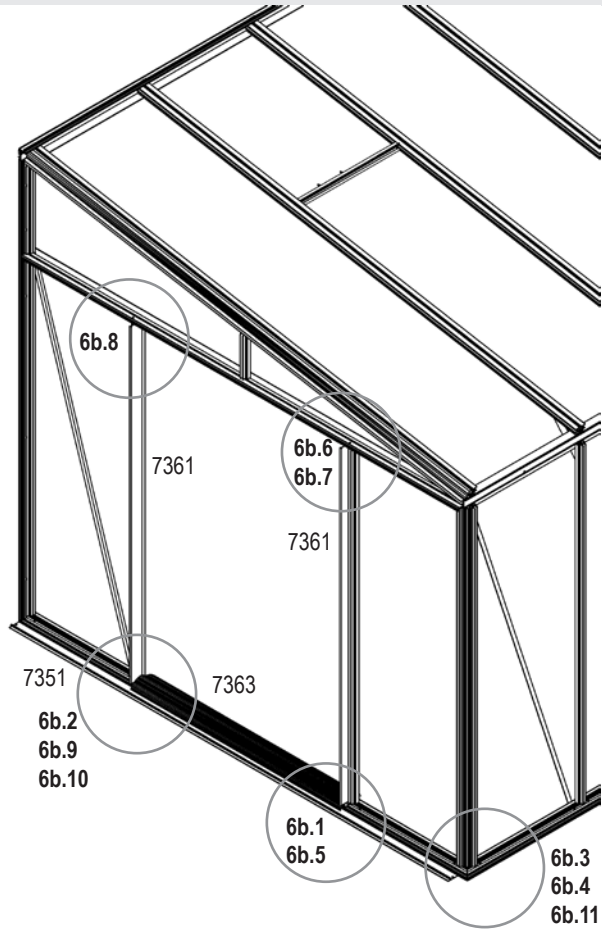
**HELENA**

# 6b



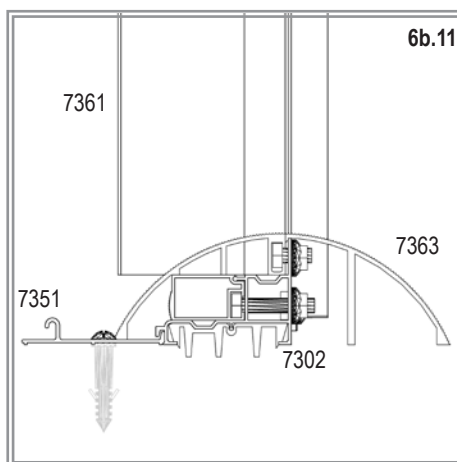
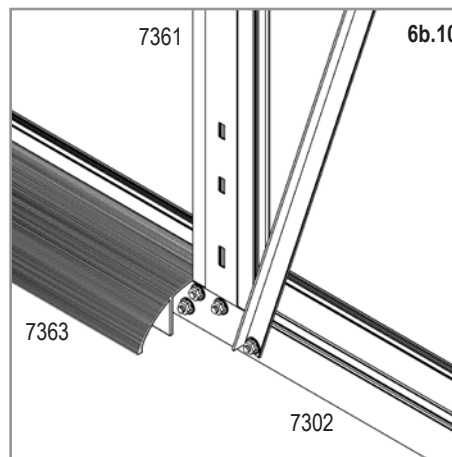
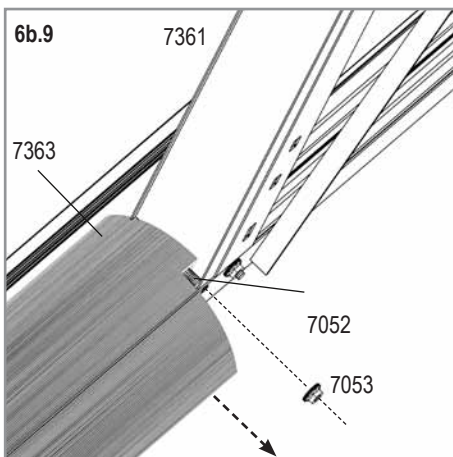
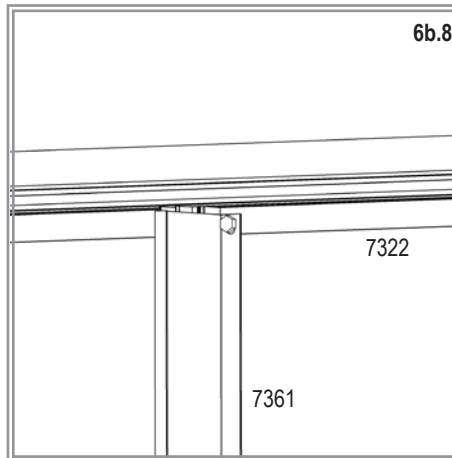
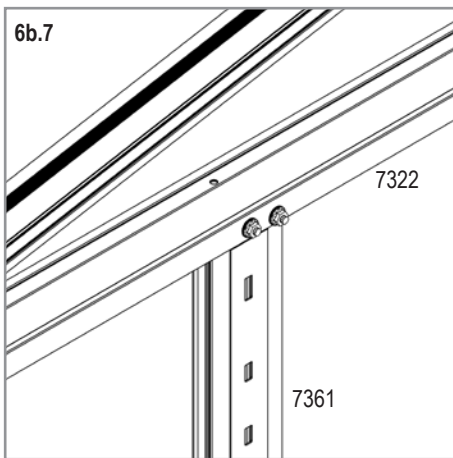
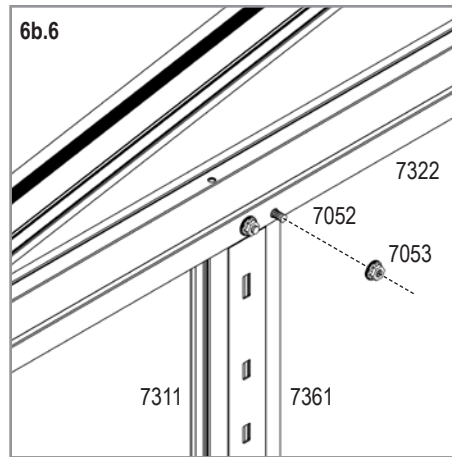
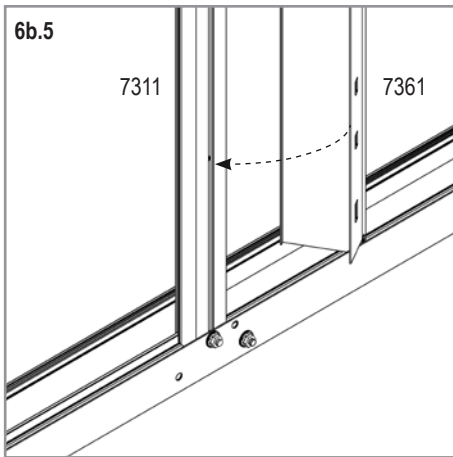
## All Models

2002 2x	
2003 2x	
7052 4x	
7053 8x	
7351 1x	
7361 2x	
7362 1x	
7363 1x	
7390 4x	

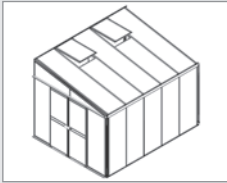


HELENA

# 6b

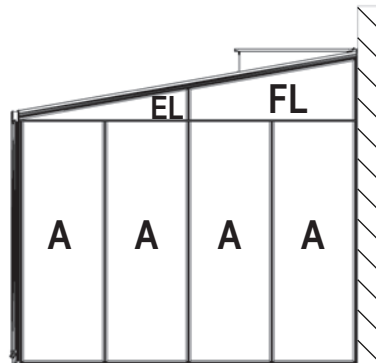


HELENA

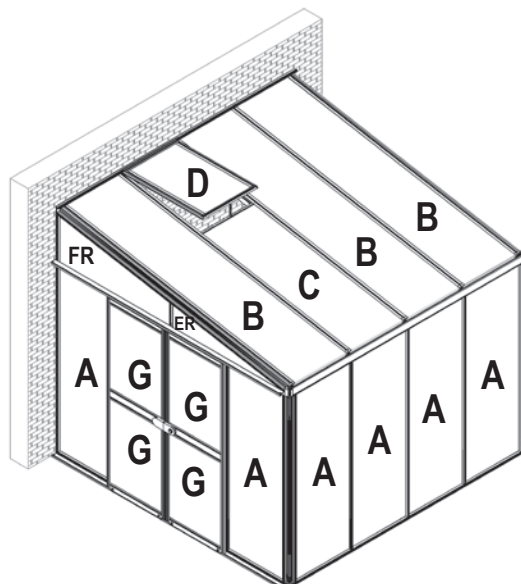


7.1	GLASS		POLYCARBONATE				QUANTITY / MODEL			
	4 MM		10 MM		16 MM		7000	8600	10200	11900
	ART. No.	MM	ART. No.	MM	ART. No.	MM				
A	367850	610 x 1816	369580	610 x 1816	369590	610 x 1816	10x	11x	12x	13x
B	-	-	369584	610 x 2583	-	-	3x	3x	4x	4x
C	-	-	369585	610 x 1693	-	-	1x	2x	2x	3x
D	-	-	369581	555 x 870	-	-	1x	2x	2x	3x
EL	367851	1239 x 230/11.5	369582	1239 x 230/11.5	369592	1239 x 230/11.5	1x	1x	1x	1x
ER			369587		369597		1x	1x	1x	1x
FL	367852	1239 x 452/233.5	369583	1239 x 452/233.5	369593	1239 x 452/233.5	1x	1x	1x	1x
FR			369588		369598		1x	1x	1x	1x
G	367853	619 x 843	369586	619 x 843	369596	595 x 823	4x	4x	4x	4x
<b>TOTAL</b>							<b>23x</b>	<b>26x</b>	<b>28x</b>	<b>31x</b>

Back Gabel - all models



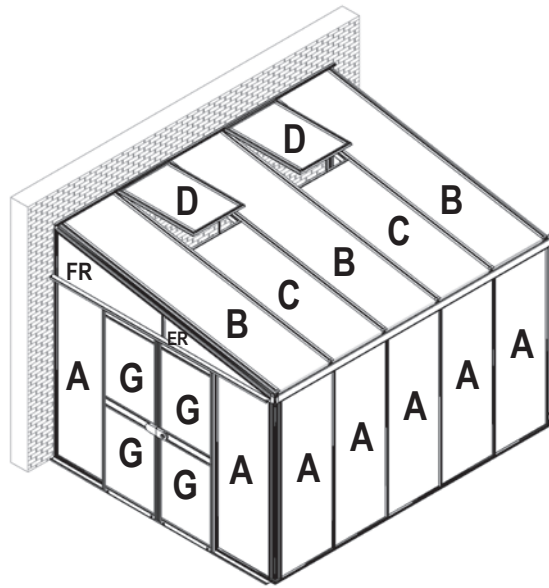
(7000)



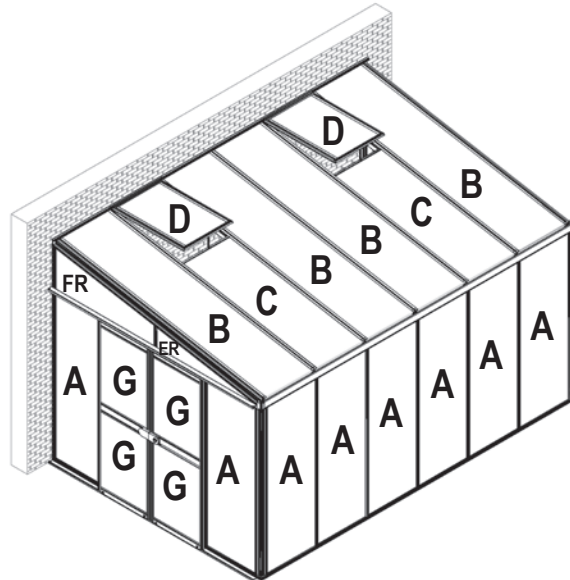
HELENA

# 7

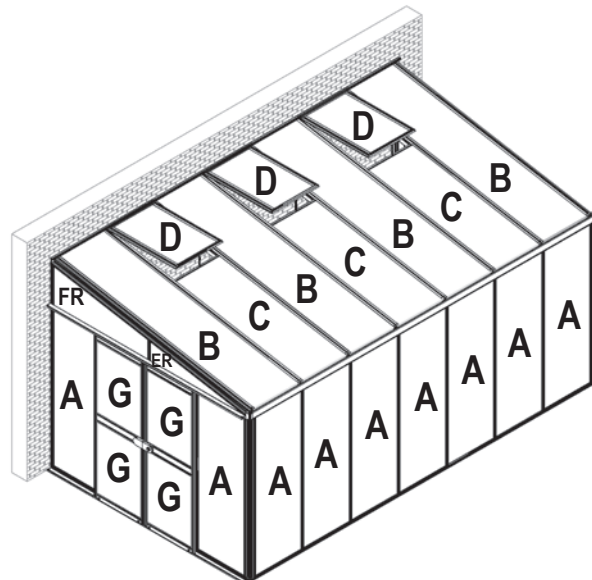
(8600)



(10200)



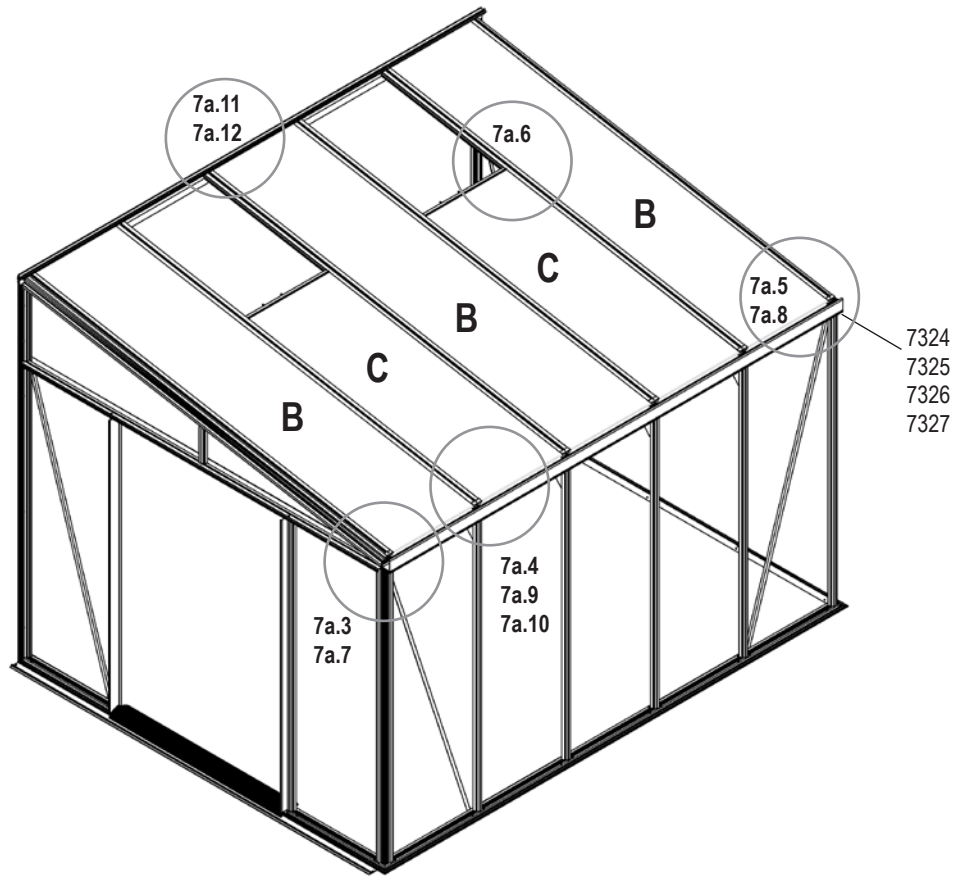
(11900)












HELENA

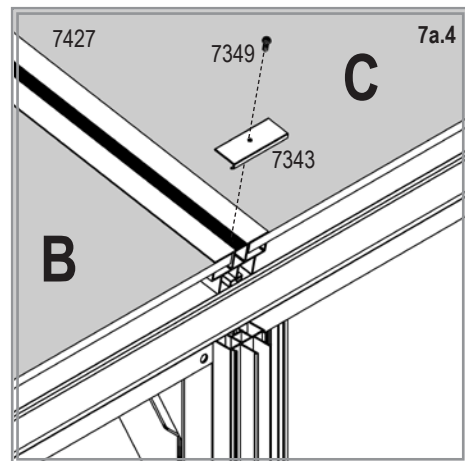
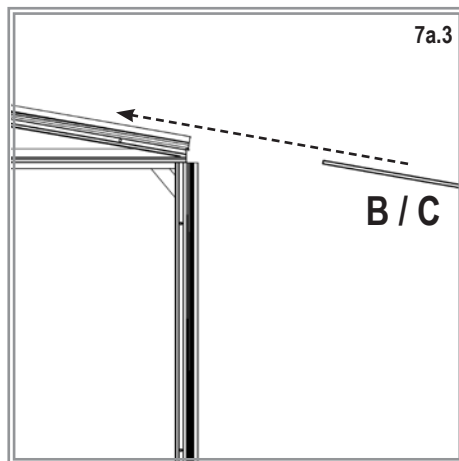
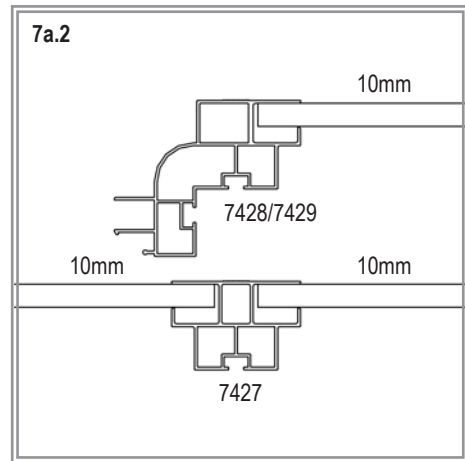
# 7a

(8600)



7000	8600	10200	11900
7052 			
4x	5x	6x	7x
7053 			
4x	5x	6x	7x
			
7324	7325	7326	7327
1x	1x	1x	1x
7342 			
2x	2x	2x	2x
7343 			
3x	4x	5x	6x
7349 			
9x	11x	13x	15x
7423* 			
3x*	3x*	4x*	4x*
7424 			
4x	5x	6x	7x
7425 			
4x	5x	6x	7x

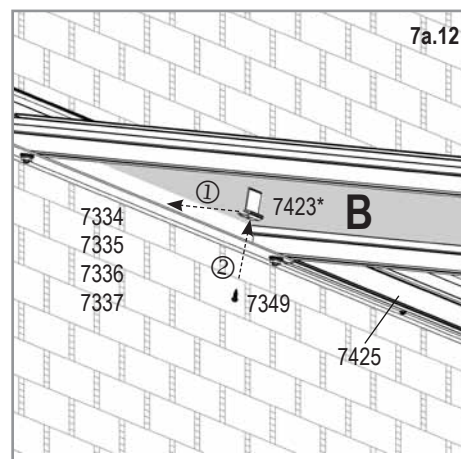
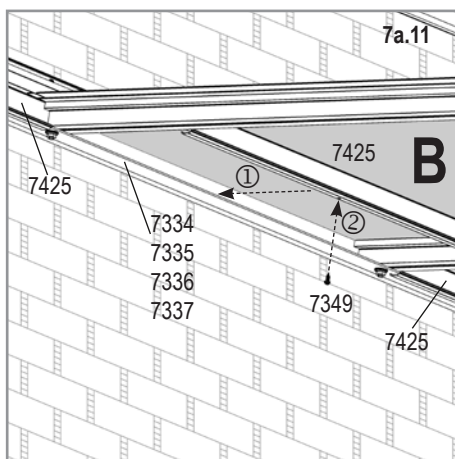
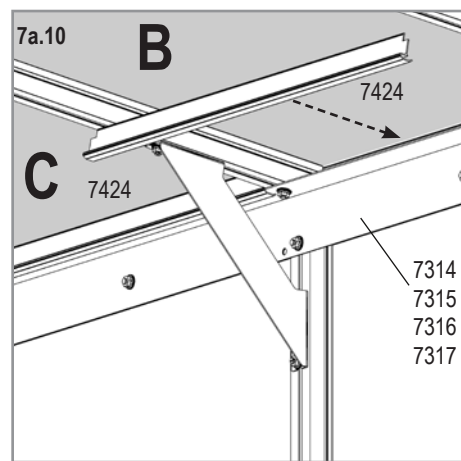
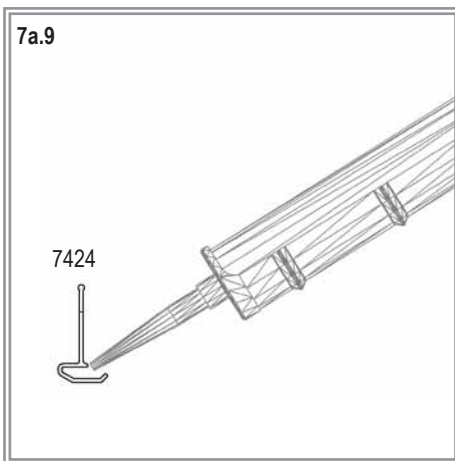
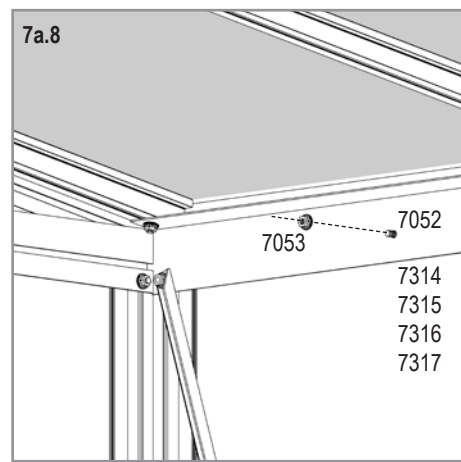
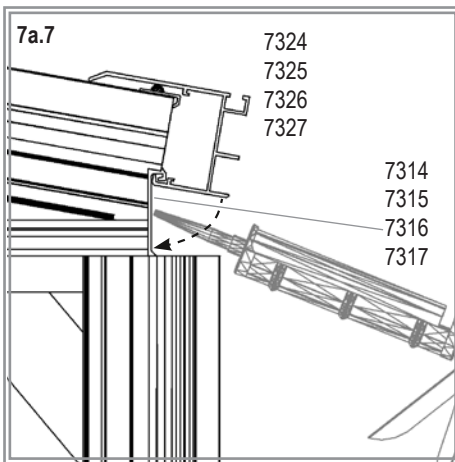
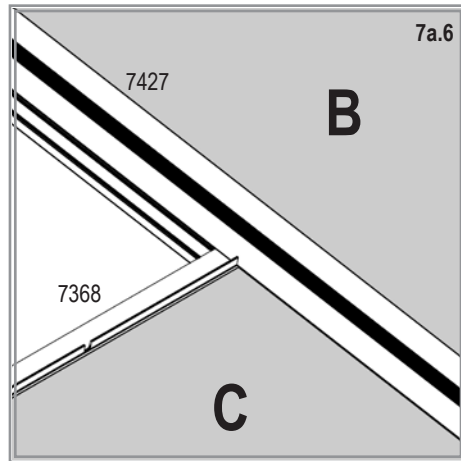
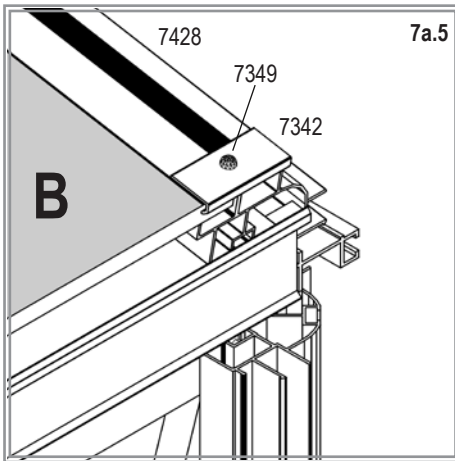
7a.1	POLYCARBONATE		QUANTITY / MODEL			
	10 MM		7000	8600	10200	11900
	ART. No.	MM				
<b>B</b>	369584	610 x 2583	3x	3x	4x	4x
<b>C</b>	369585	610 x 1693	1x	2x	2x	3x



HELENA



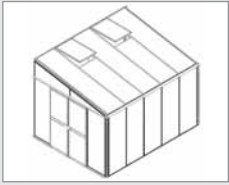
# 7a



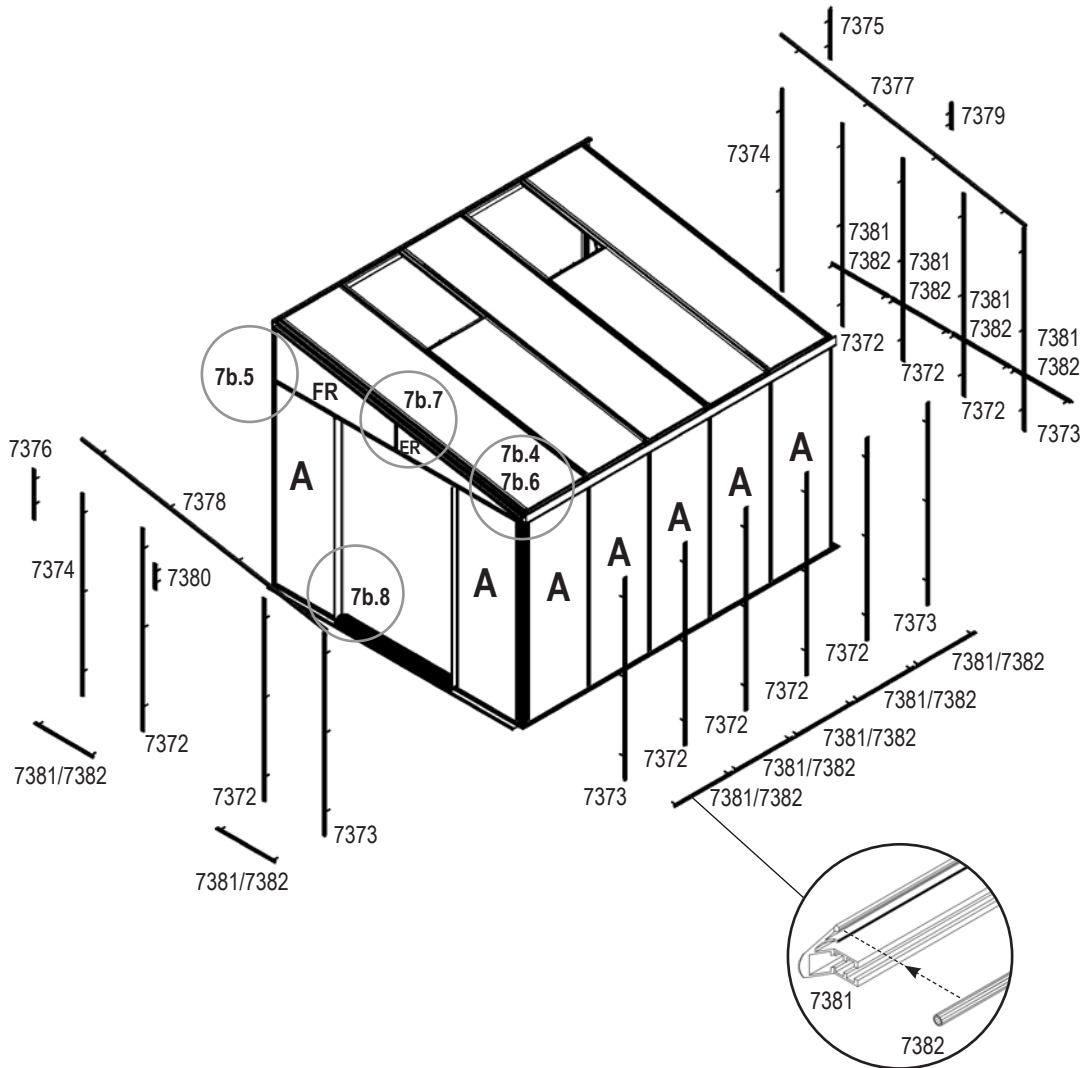
HELENA

# 7b

(8600)



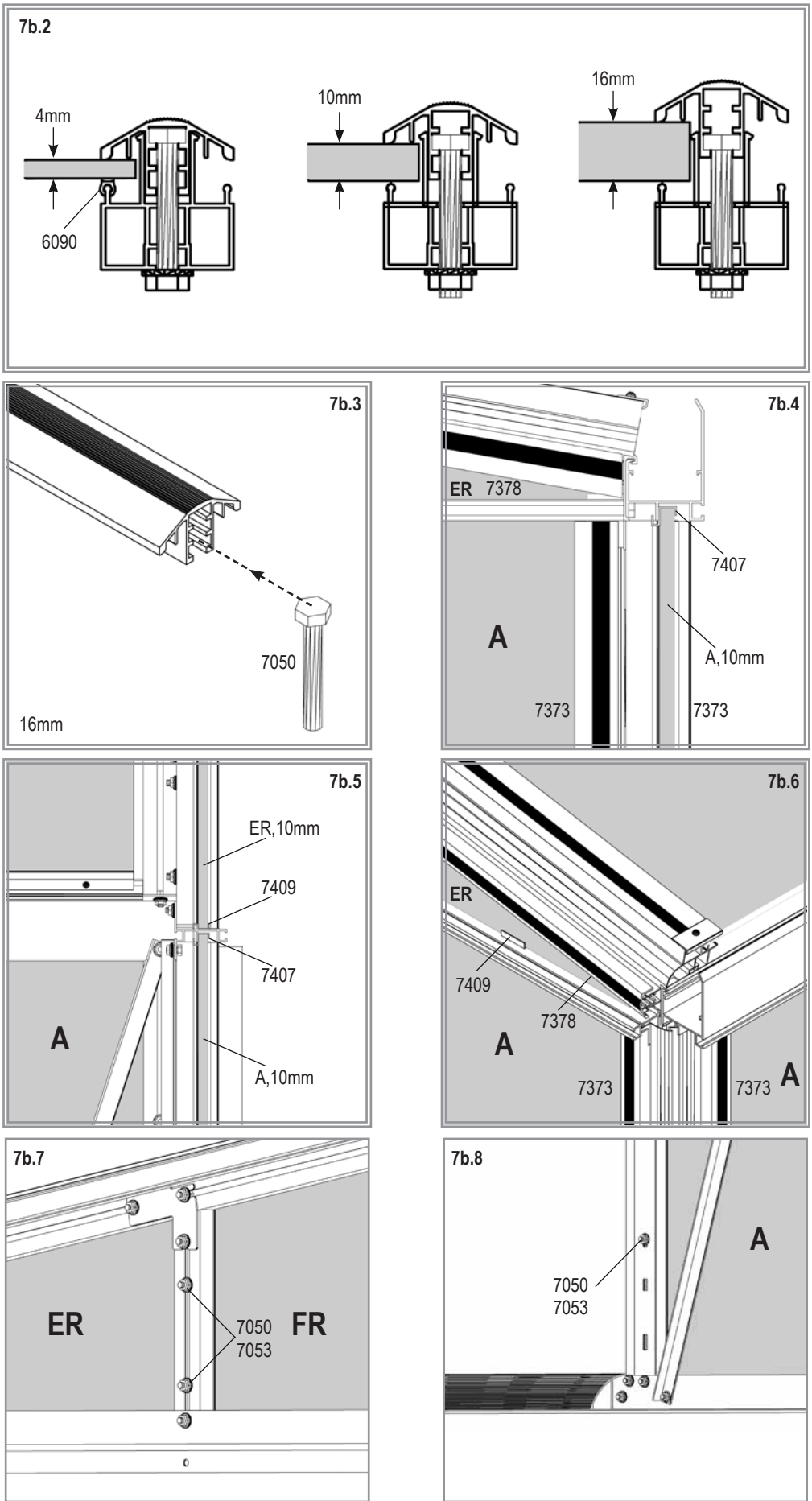
7000	8600	10200	11900
7050			
78x	83x	88x	93x
7053			
78x	83x	88x	93x
7372			
8x	9x	10x	11x
7381			
10x	11x	12x	13x
7382			
10x	11x	12x	13x
7407			
10x	11x	12x	13x
<b>All Models</b>			
6090			
1x			
7373			
4x			
7374			
2x			
7375			
1x			
7376			
1x			
7377			
1x			
7378			
1x			
7379			
1x			
7380			
1x			
7409			
8x			



7b.1	GLASS		POLYCARBONATE				QUANTITY / MODEL			
	4 MM		10 MM		16 MM		7000	8600	10200	11900
	ART. No.	MM	ART. No.	MM	ART. No.	MM				
A	367850	610 x 1816	369580	610 x 1816	369590	610 x 1816	10x	11x	12x	13x
EL	367851	1239 x 230/11.5	369582	1239 x 230/11.5	369592	1239 x 230/11.5	1x	1x	1x	1x
ER			369587		369597		1x	1x	1x	1x
FL	367852	1239 x 452/233.5	369583	1239 x 452/233.5	369593	1239 x 452/233.5	1x	1x	1x	1x
FR			369588		369598		1x	1x	1x	1x

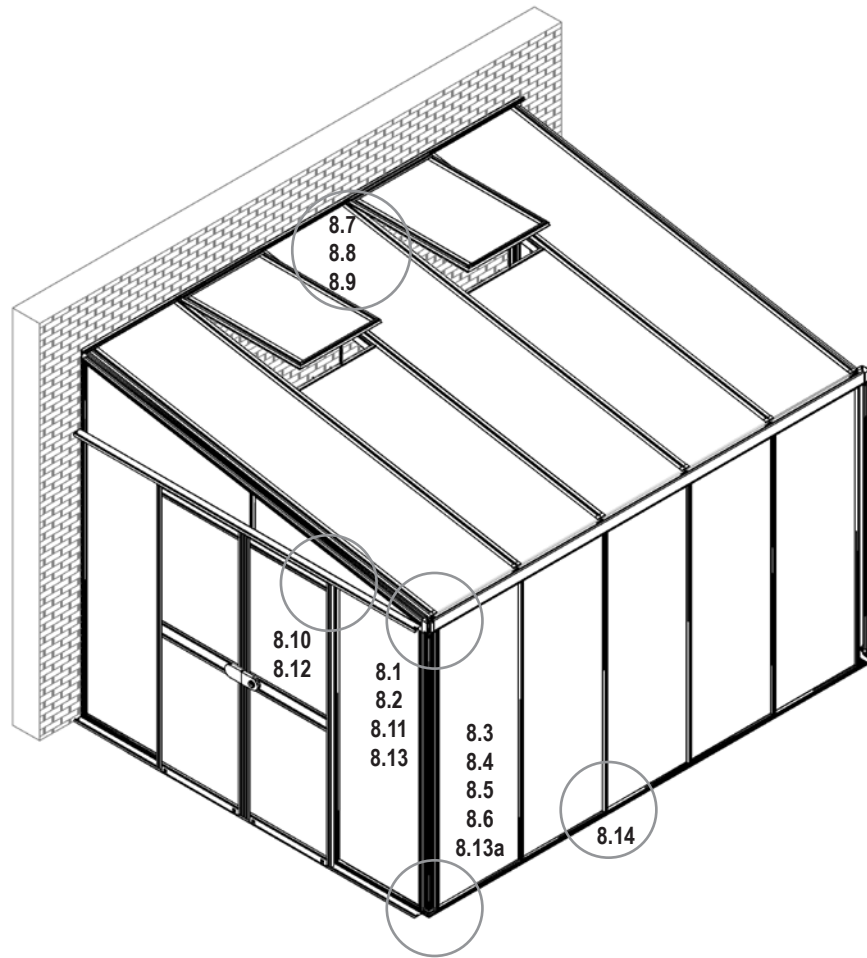
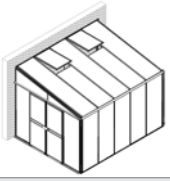
HELENA

# 7b

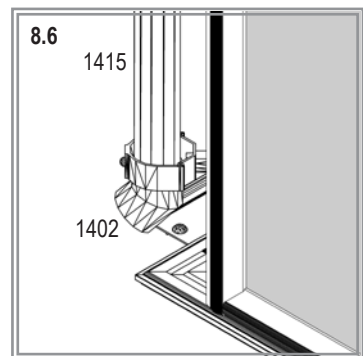
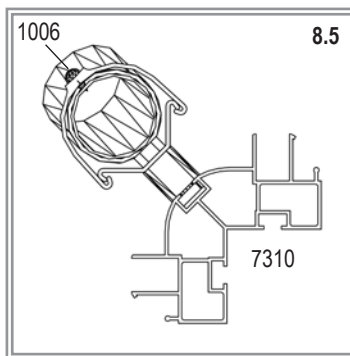
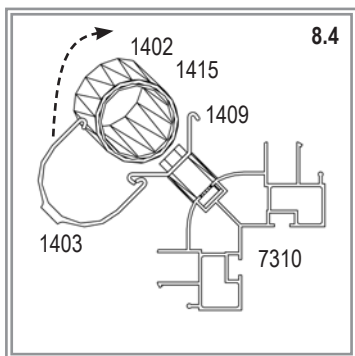
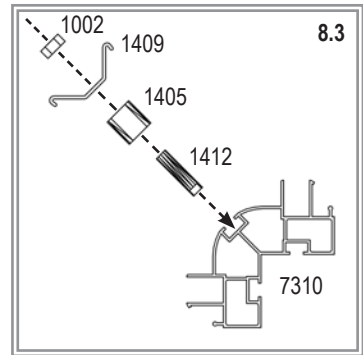
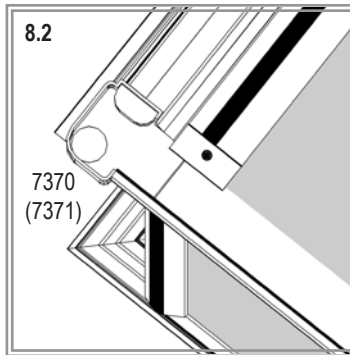
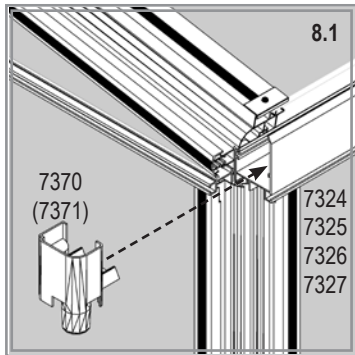


HELENA

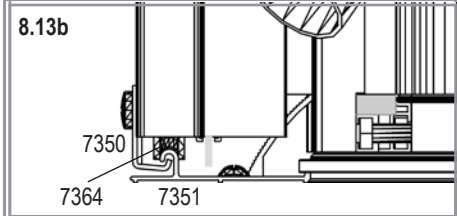
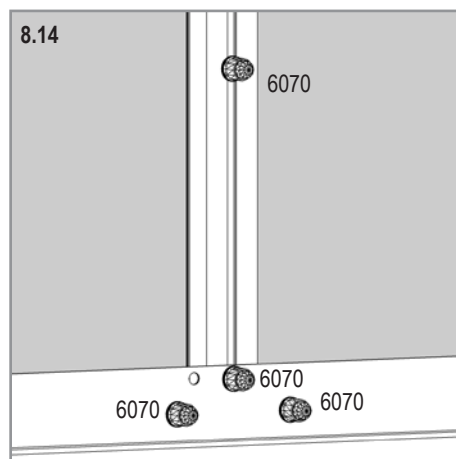
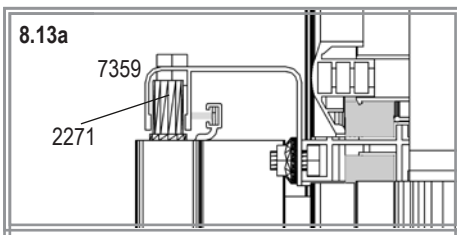
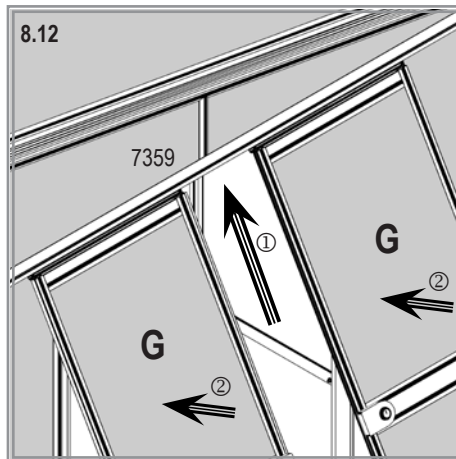
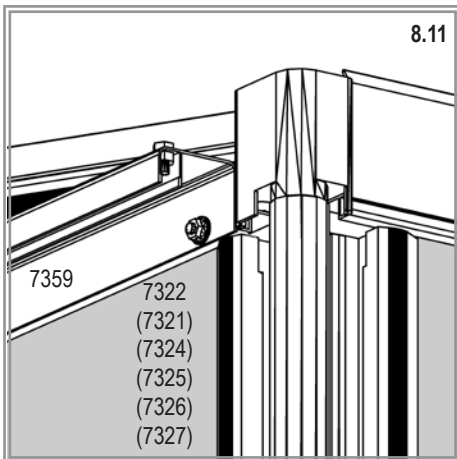
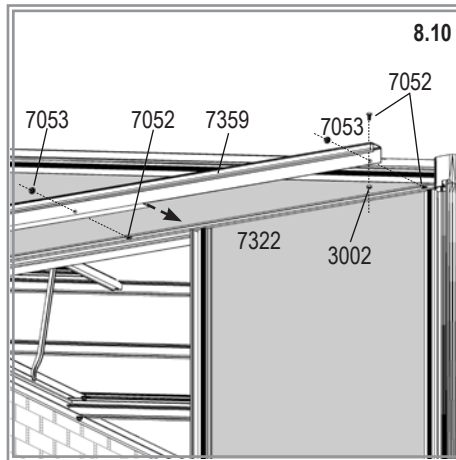
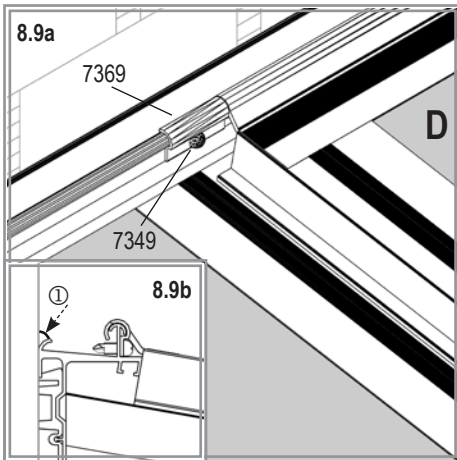
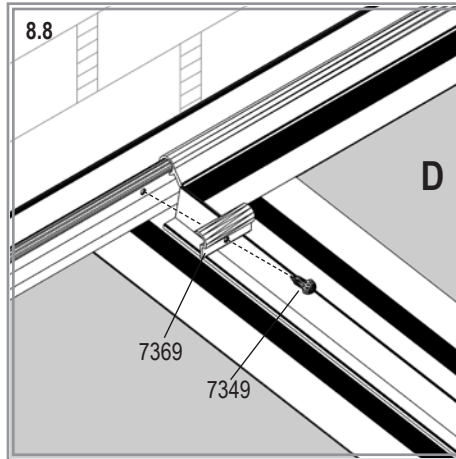
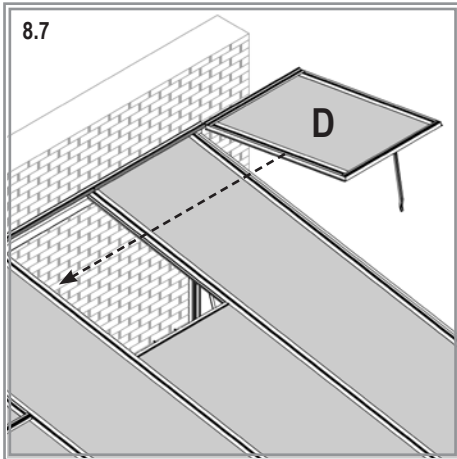
(8600)



7000	8600	10200	11900
6070			
188x	202x	216x	230x
7349			
2x	4x	4x	6x
7369			
2x	4x	4x	6x
<b>All Models</b>			
1002			
2x			
1006			
2x			
1402			
2x			
1403			
2x			
1405			
2x			
1409			
2x			
1412			
2x			
1415			
2x			
3002			
2x			
7052			
6x			
7053			
4x			
7359			
1x			
7370			
1x			
7371			
1x			



HELENA









E.P.H. Schmidt u. Co. GmbH  
Hoefkerstrasse 30  
44149 Dortmund  
Postfach 170163  
44060 Dortmund  
Deutschland  
Tel.: +49 231 941655 0  
Fax: +49 231 941655 99  
[www.eph-schmidt.de](http://www.eph-schmidt.de)  
[verkauf@eph-schmidt.de](mailto:verkauf@eph-schmidt.de)

OPJ A/S  
Volderslevvej 36 A  
5260 Odense S  
Danmark  
Tel.: +45 66 15 10 30  
Fax: +45 66 15 00 84  
[www.opj.dk](http://www.opj.dk)  
[opj@opj.dk](mailto:opj@opj.dk)