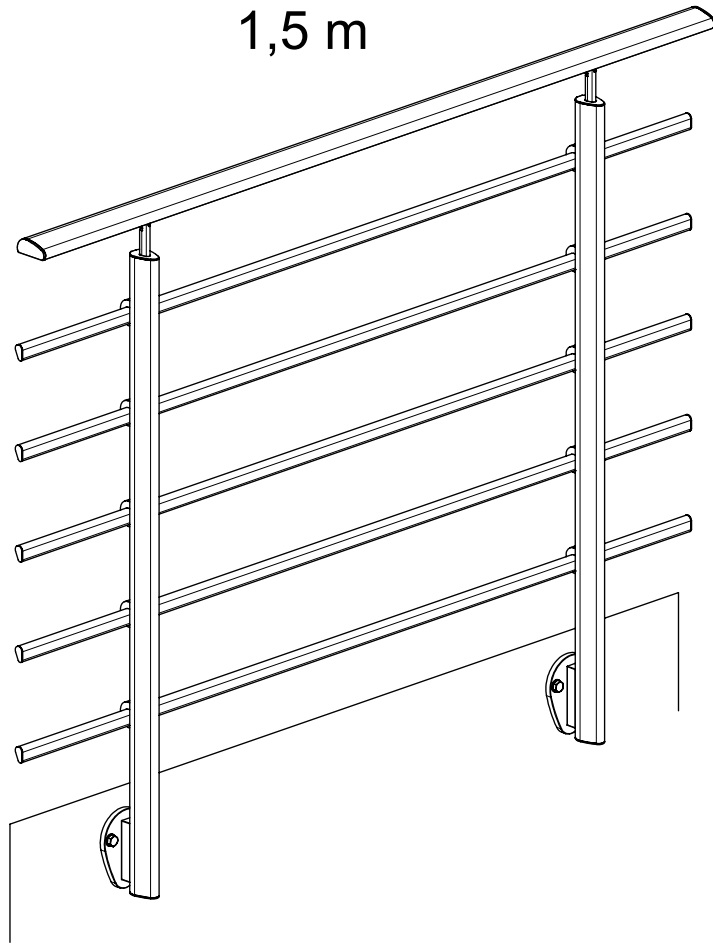
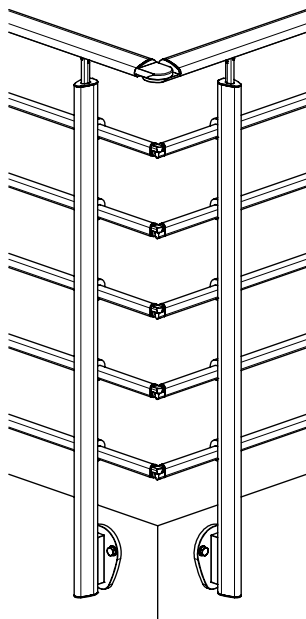






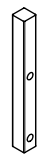

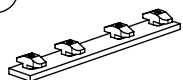
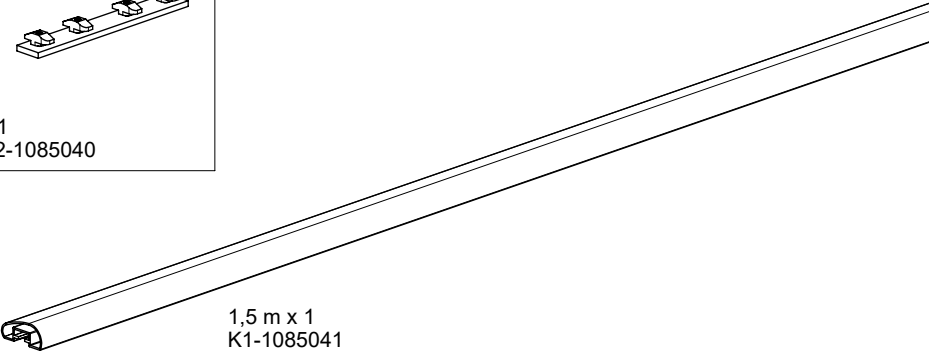


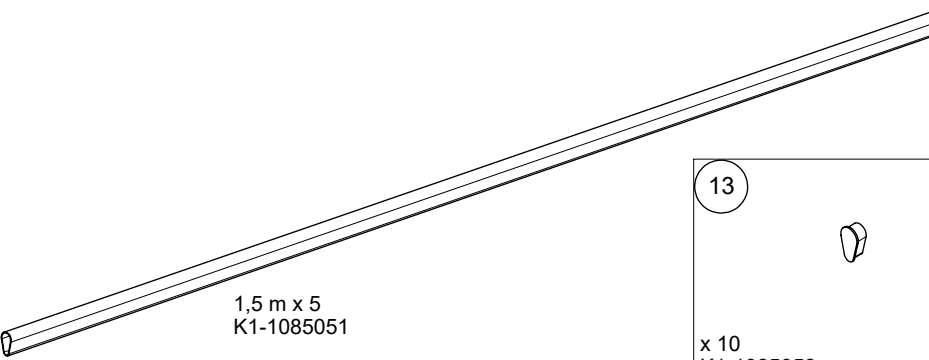


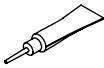
PS 201


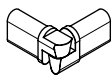
1,5 m

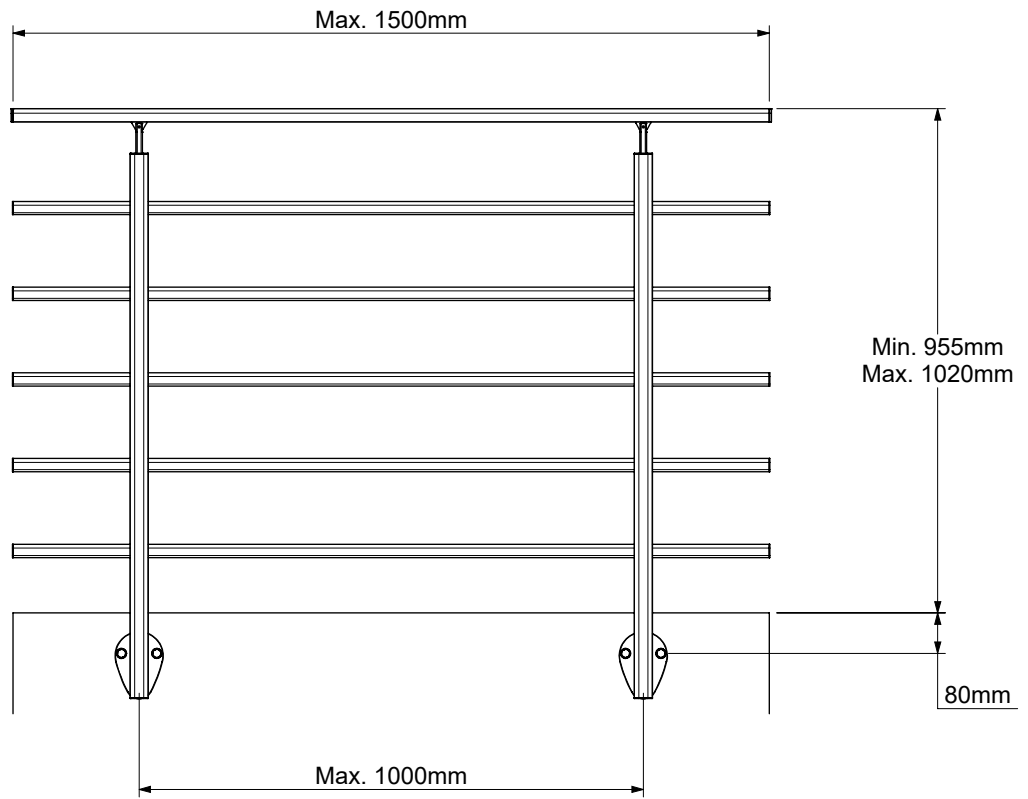


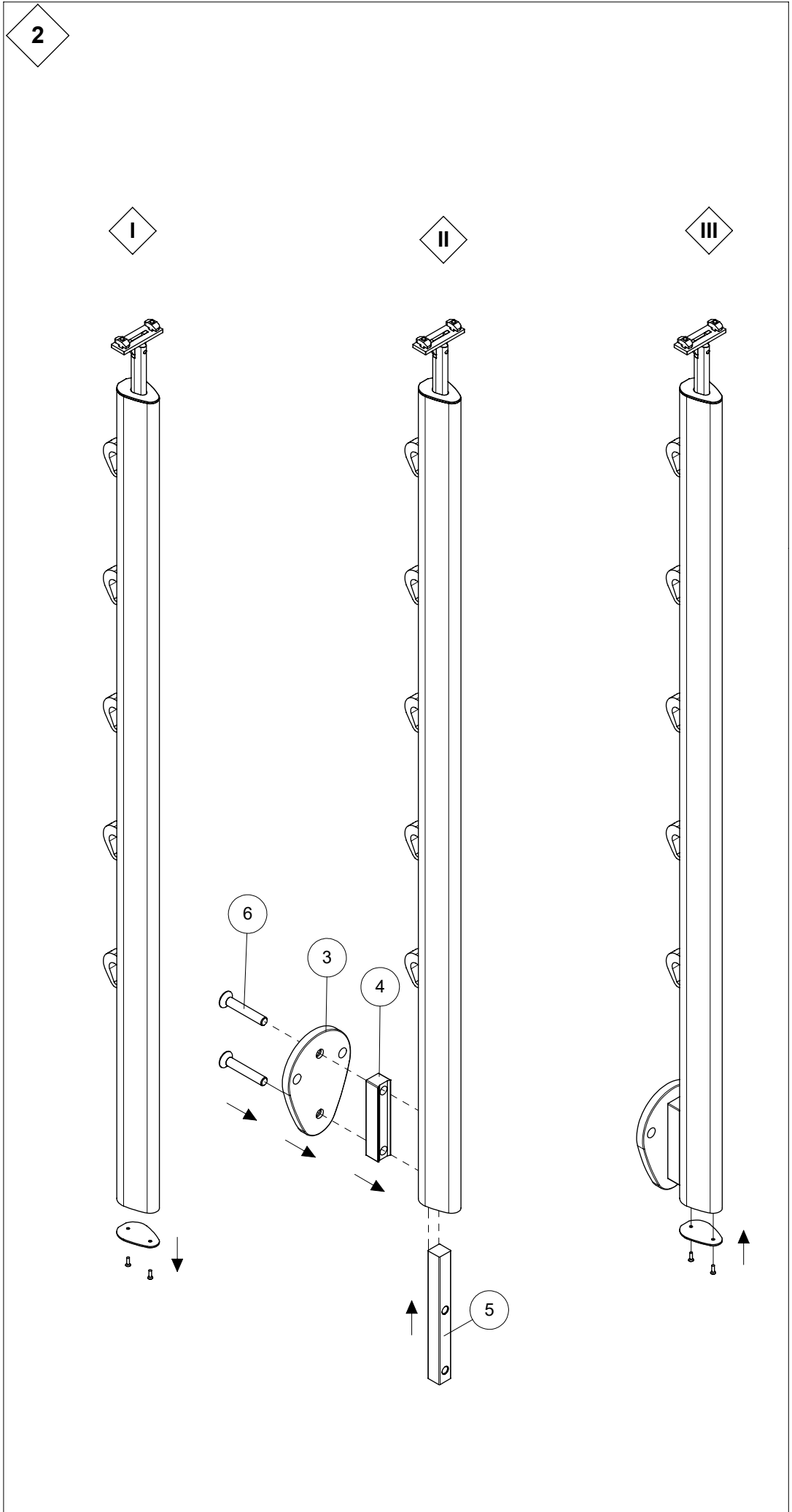
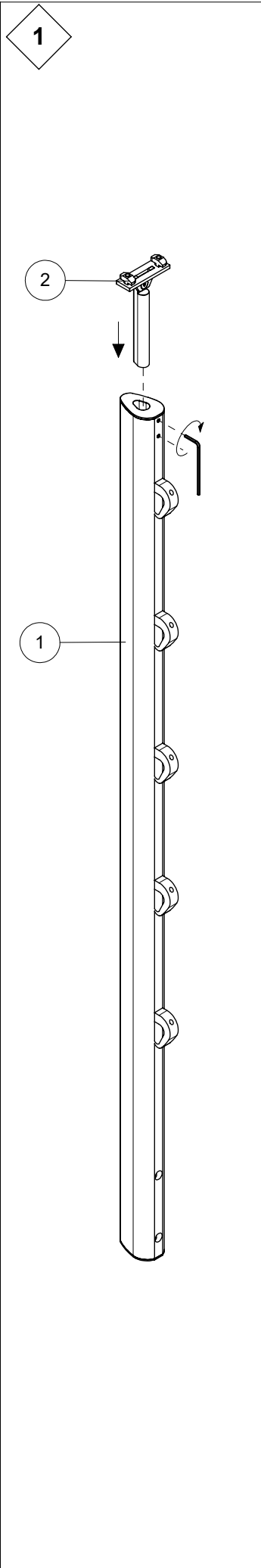
OPTION

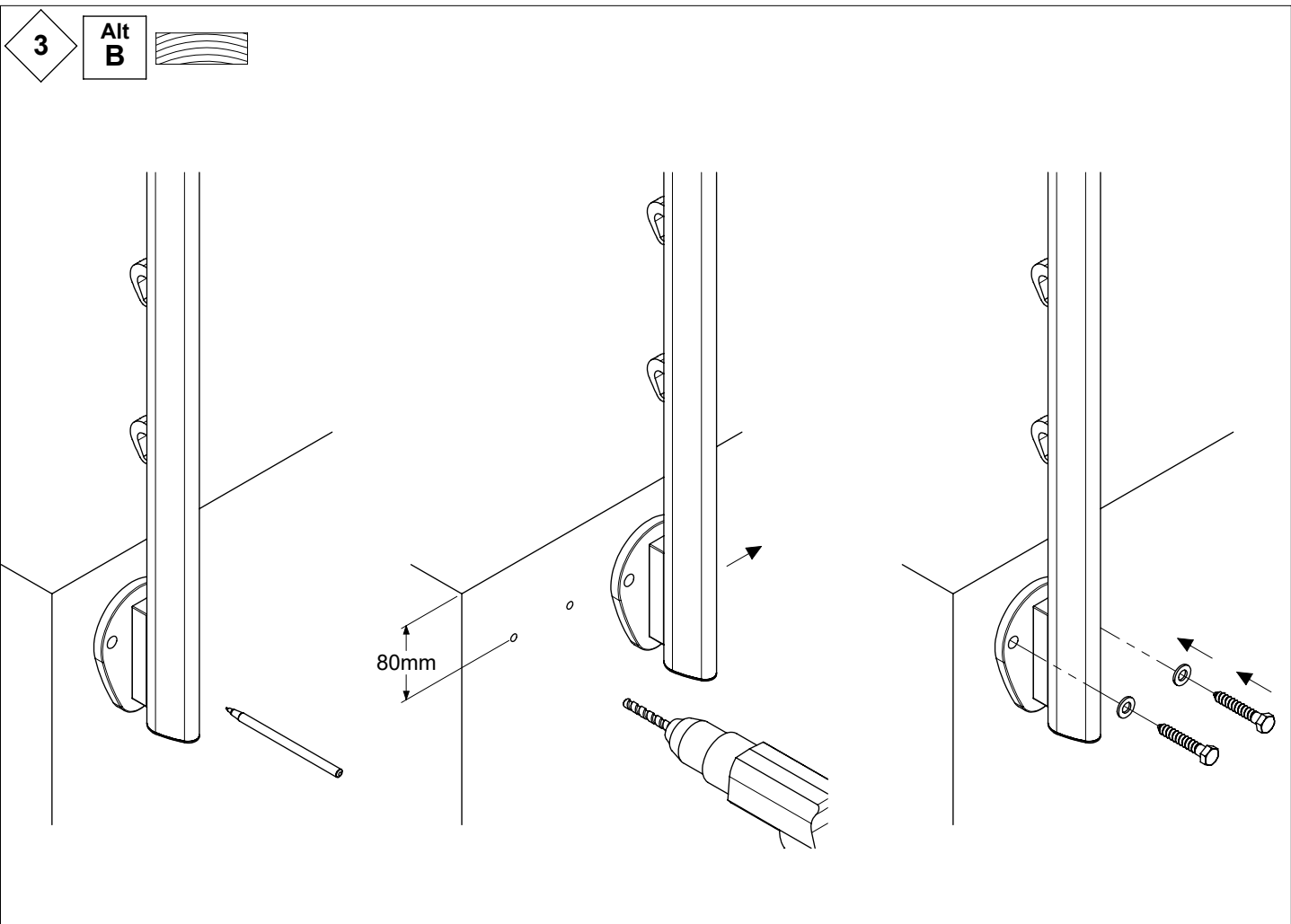
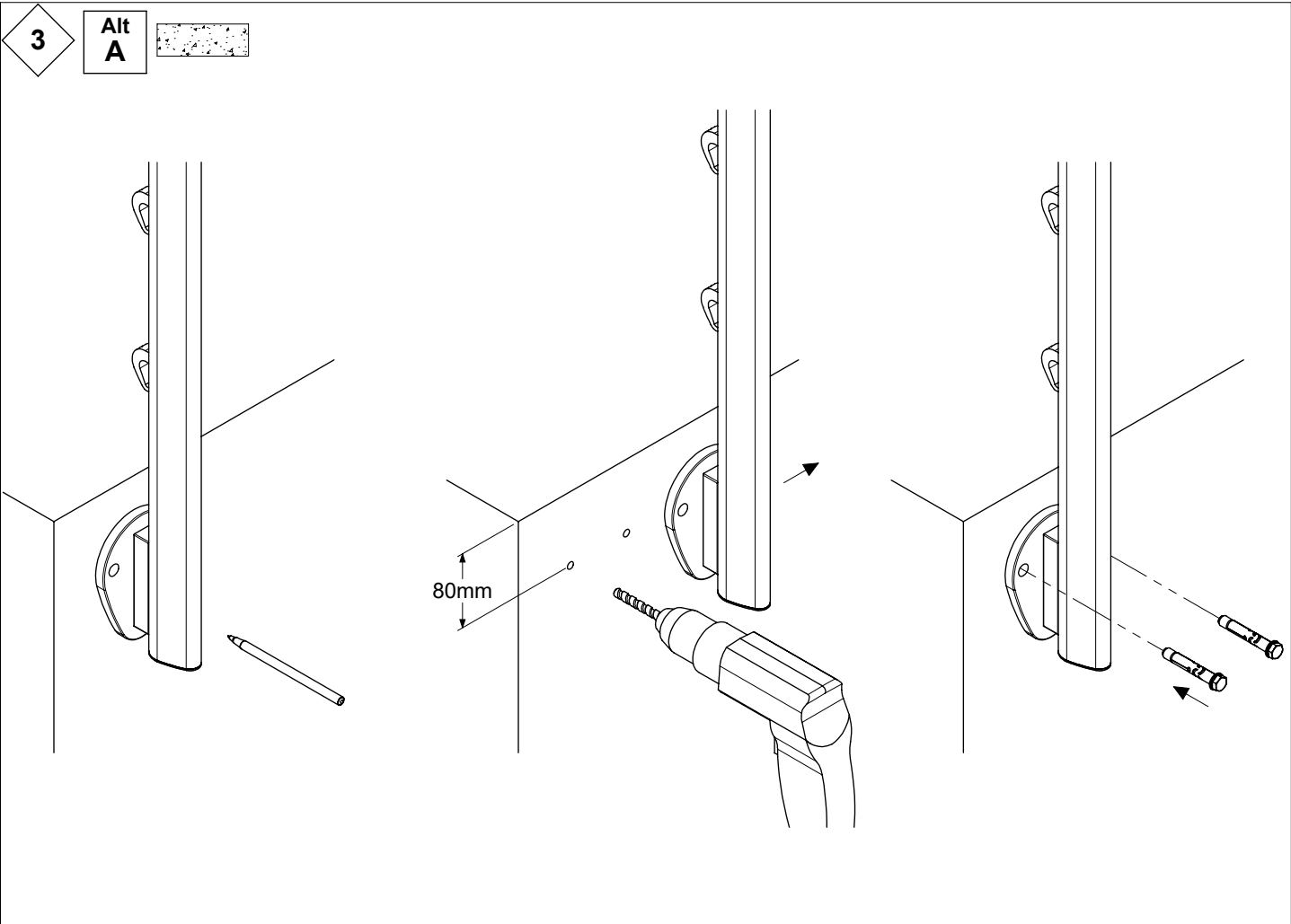


<p>1</p>  <p>x 2 K2-1085002</p>	<p>2</p>  <p>x 2 K2-1085018</p>	<p>3</p>  <p>x 2 K1-1085021</p>	<p>4</p>  <p>x 2 K1-1085022</p>	<p>5</p>  <p>x 2 K1-1085023</p>	<p>6</p>  <p>x 4 K3-02146 M10 x 60</p>
<p>7</p>  <p>x 1 K2-1085040</p>		<p>8</p>  <p>1,5 m x 1 K1-1085041</p>			<p>9</p>  <p>Droite Rechts Derecha</p> <p>x 1 K2-1085048</p>
					<p>10</p>  <p>Gauche Links Izquierda</p> <p>x 1 K2-1085049</p>
<p>11</p>  <p>1,5 m x 5 K1-1085051</p>		<p>12</p>  <p>x 5 K1-1085059</p>			
		<p>13</p>  <p>x 10 K1-1085058</p>			<p>14</p>  <p>x 1 K3-90001</p>

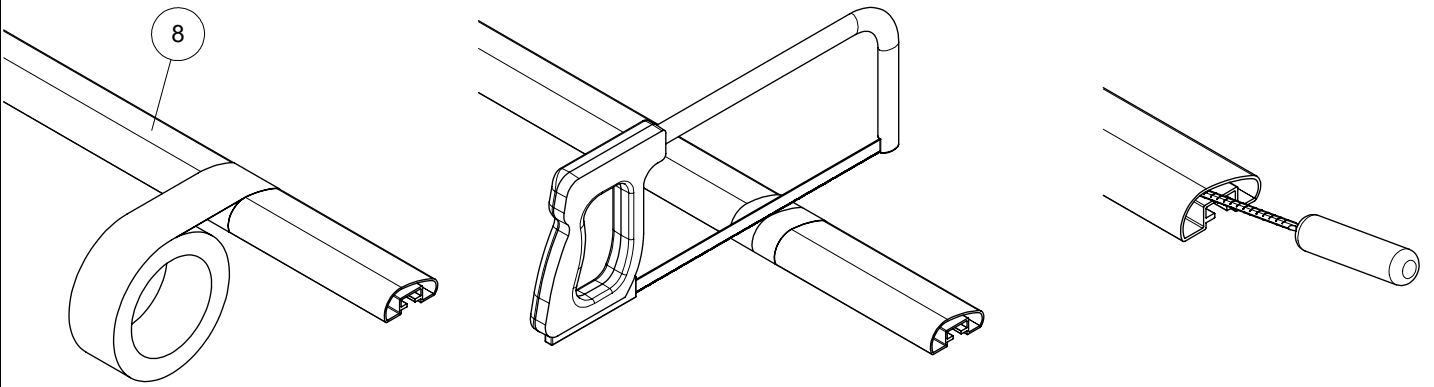
<p>PS 202 OPTION</p>	
<p>20</p>  <p>x 1 K2-1085060</p>	<p>21</p>  <p>x 5 K2-1085062</p>



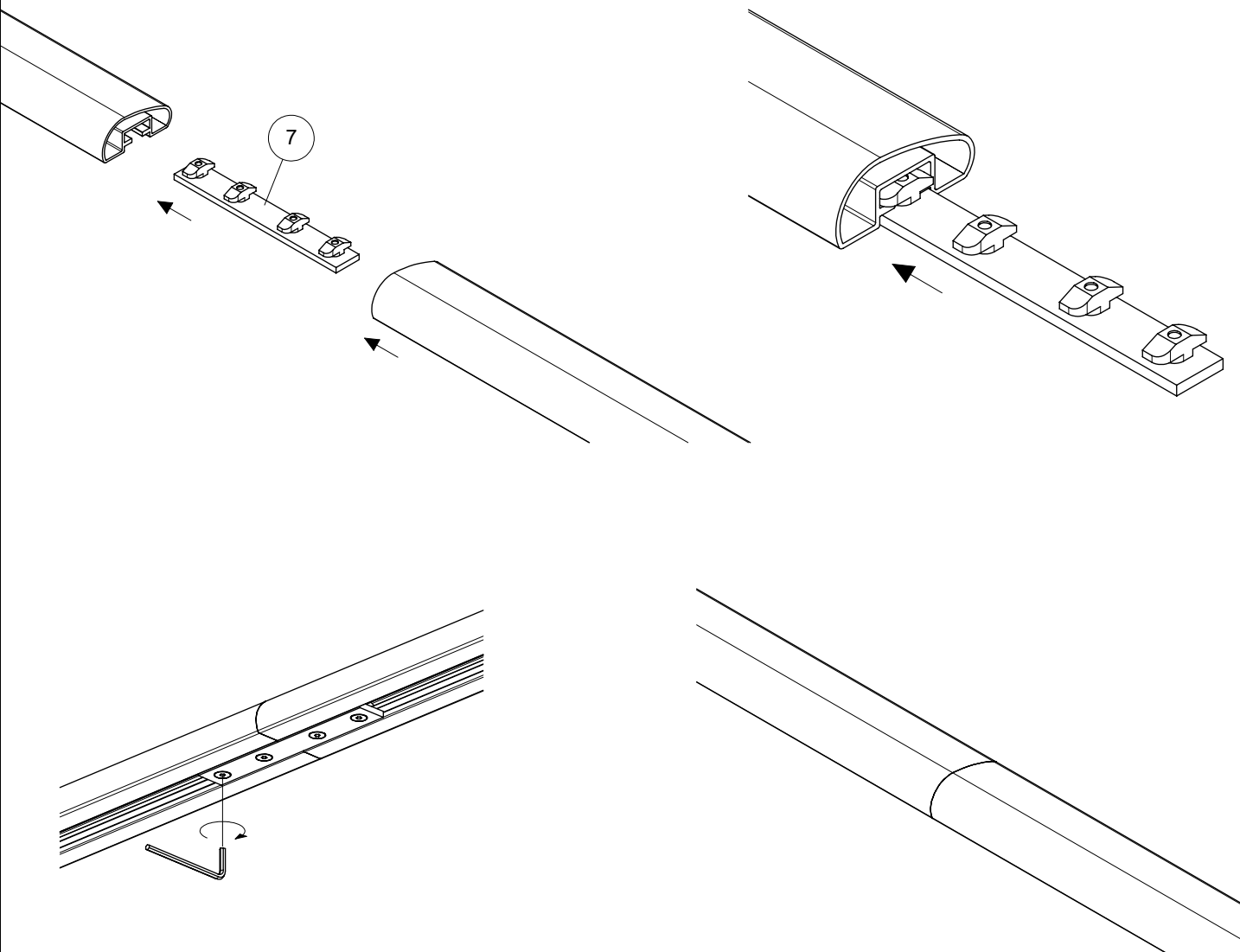


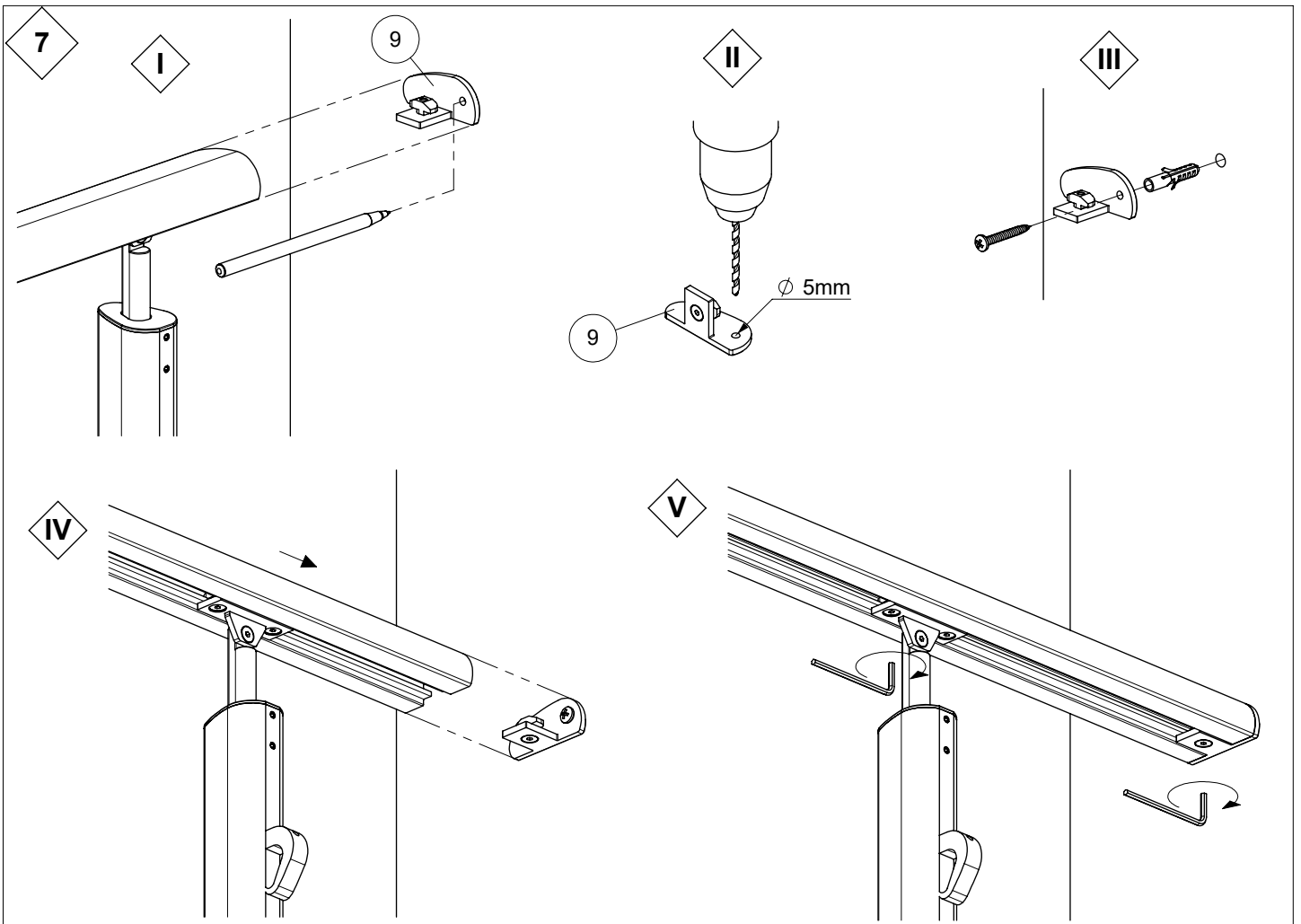
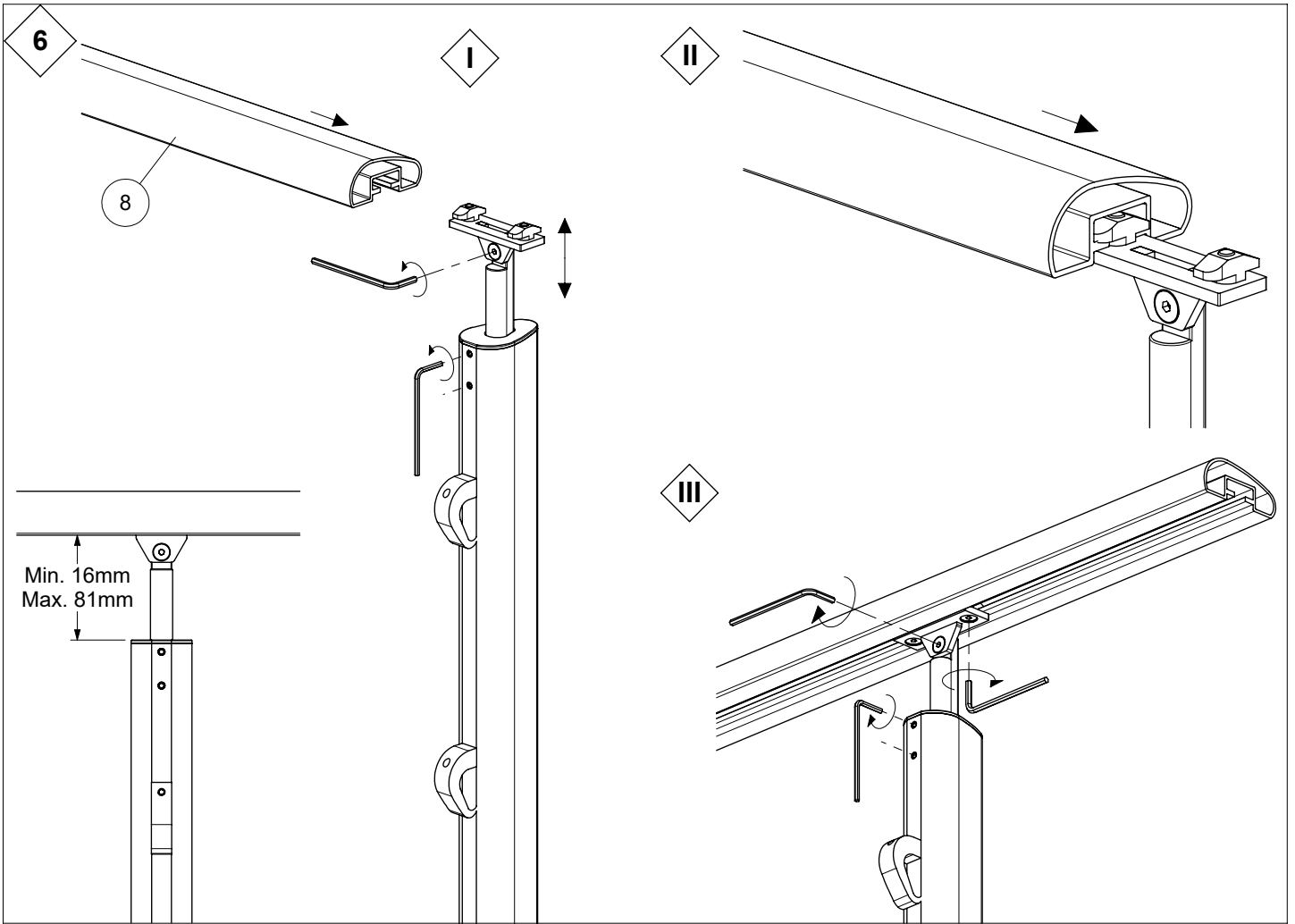


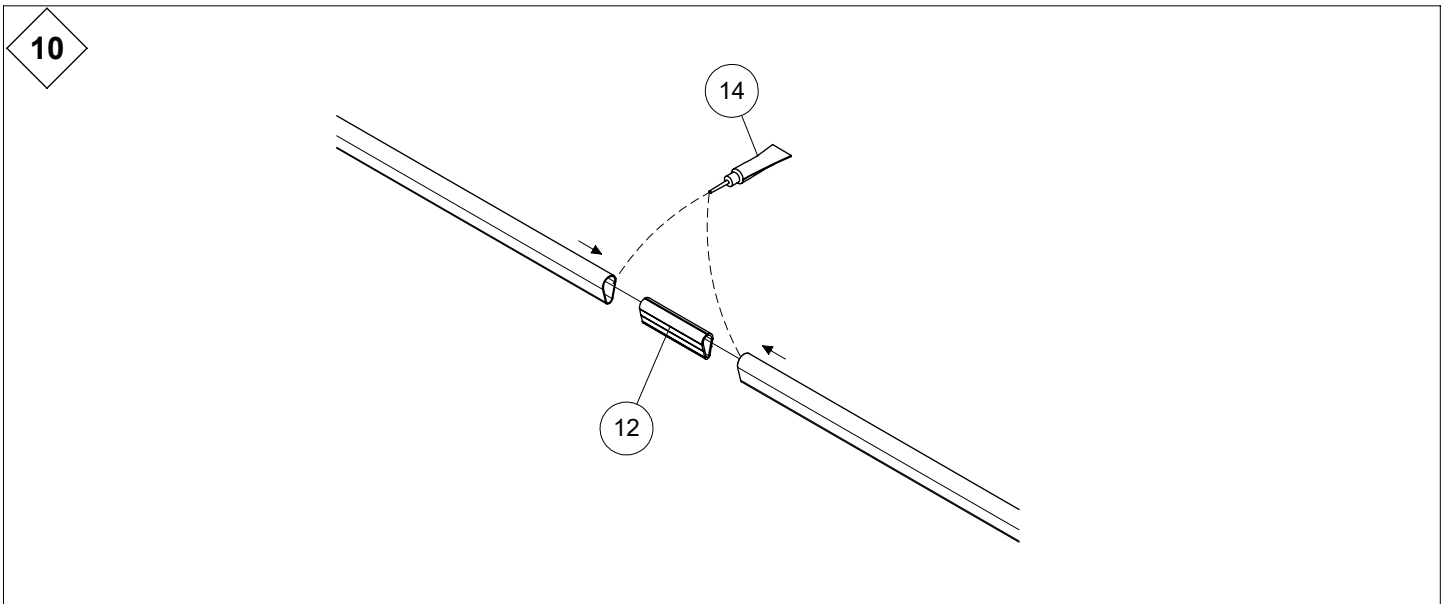
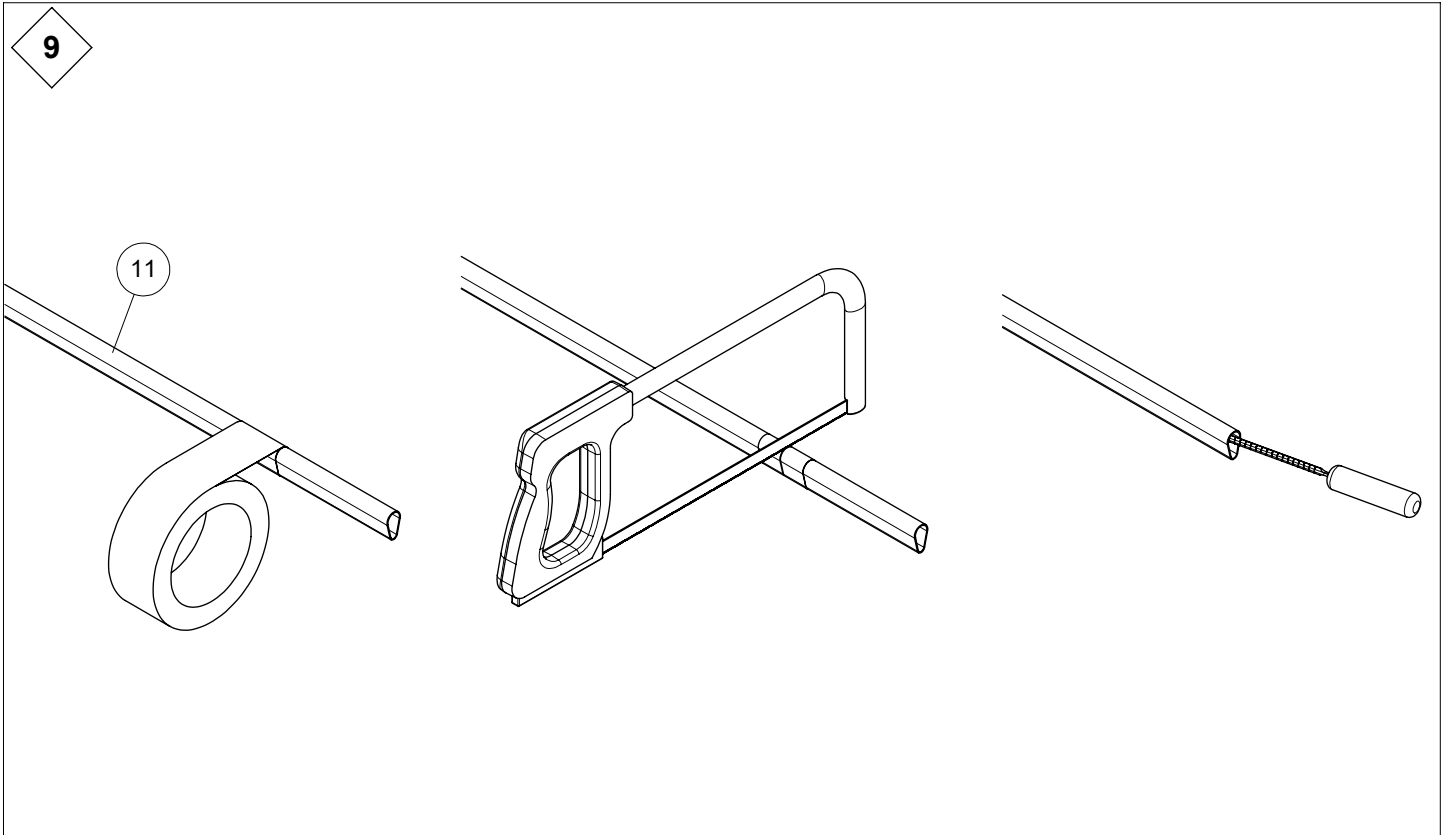
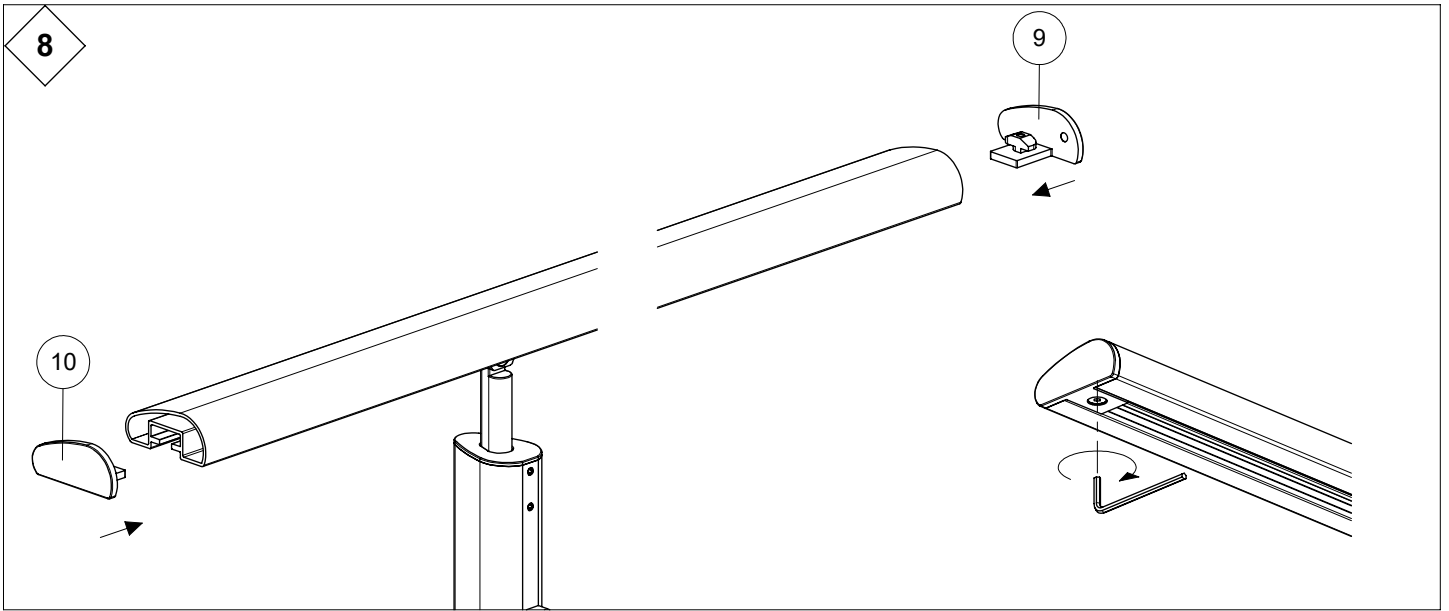
4

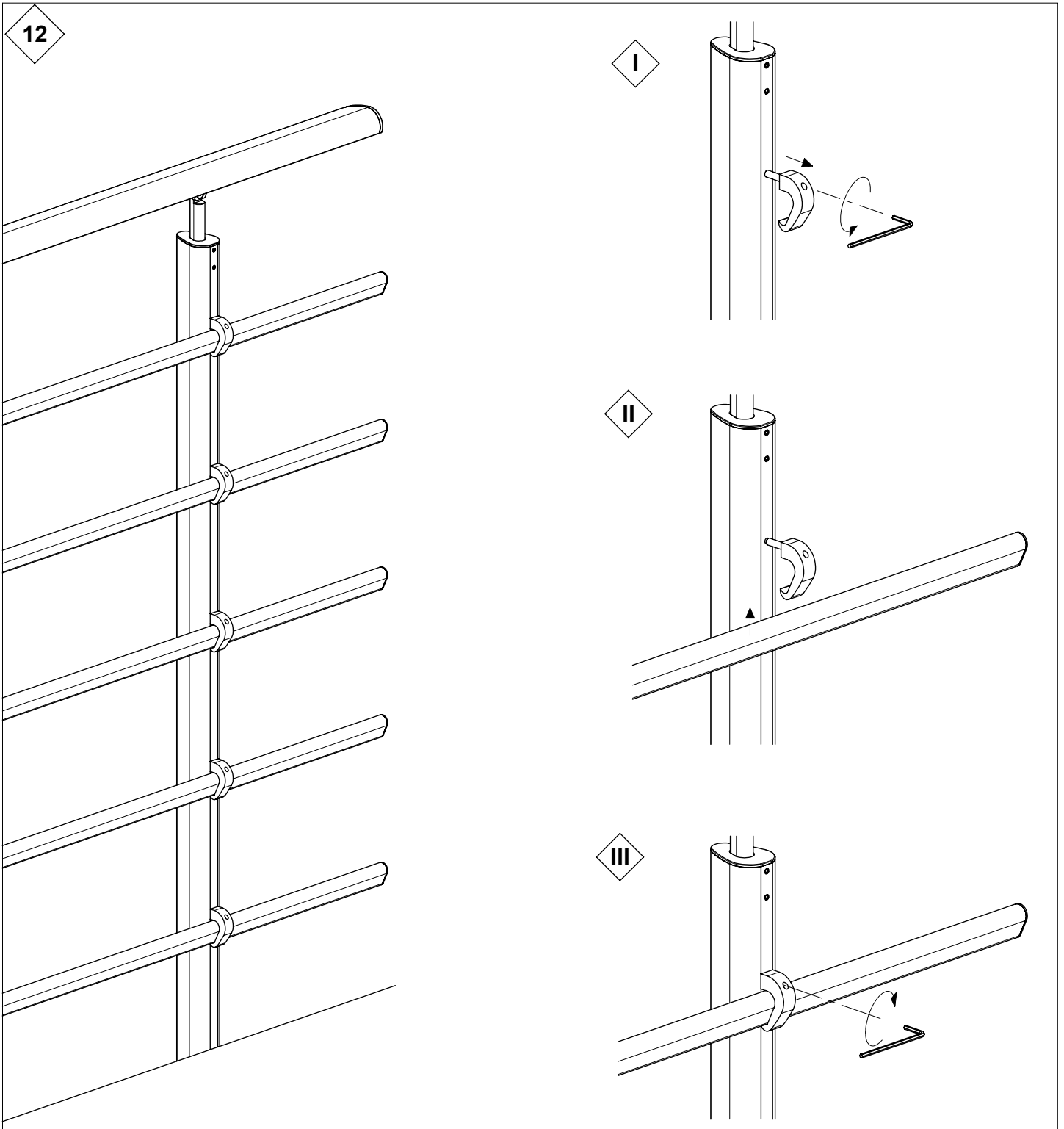
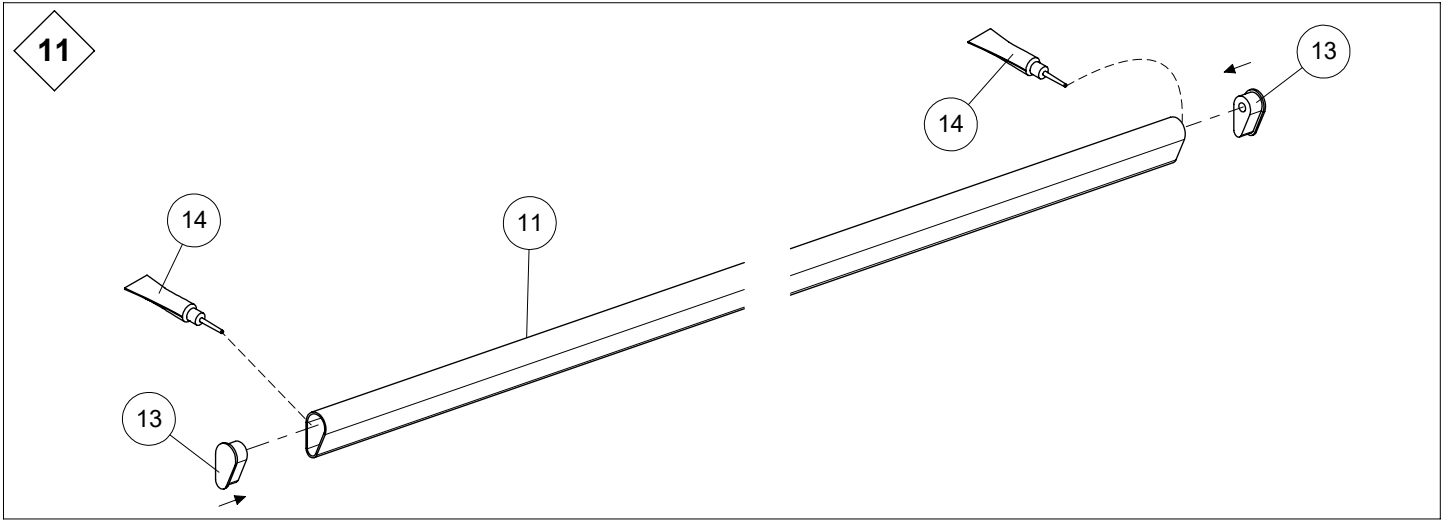


5





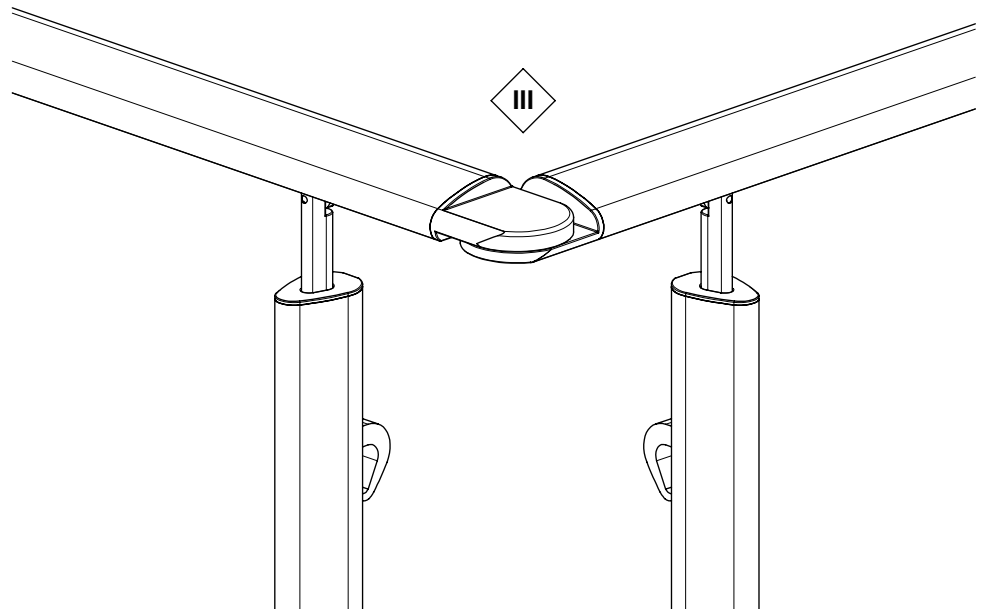
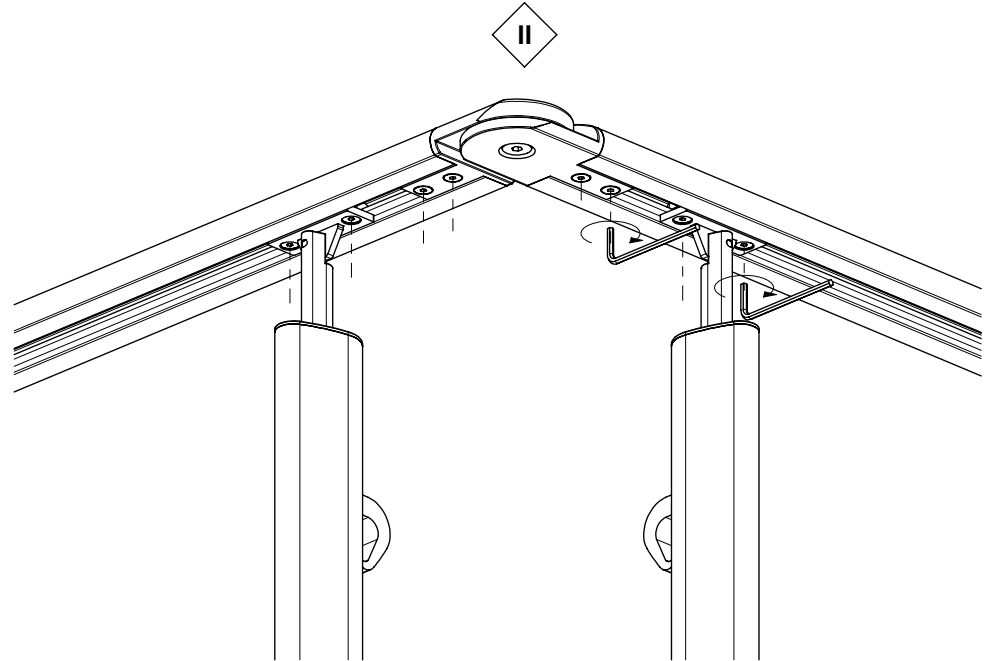
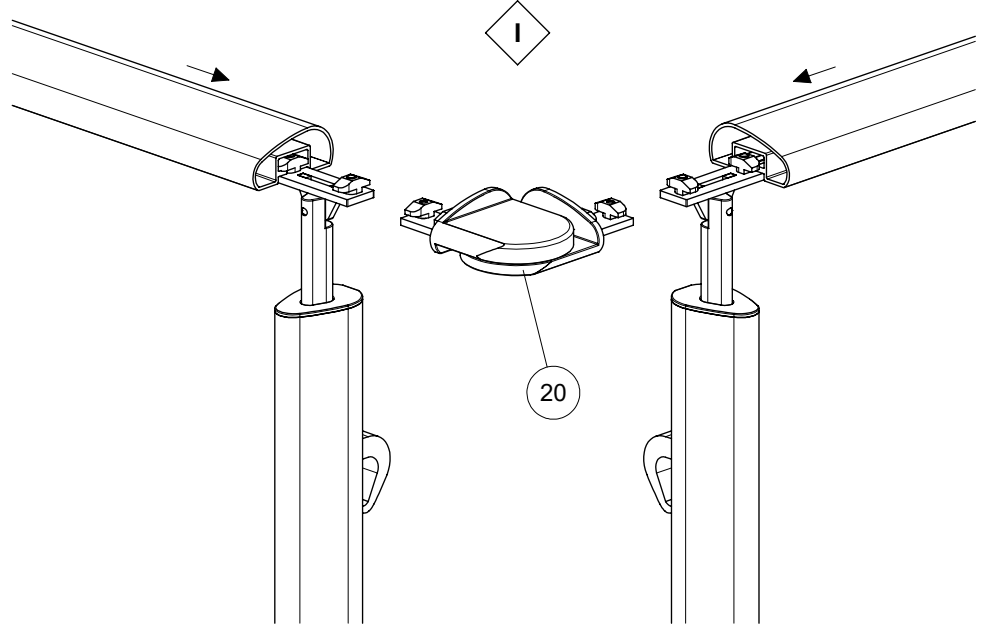
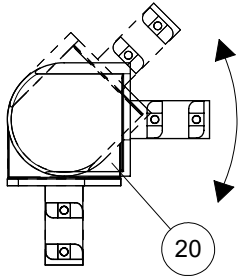




13

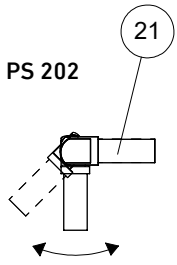
OPTION

PS 202

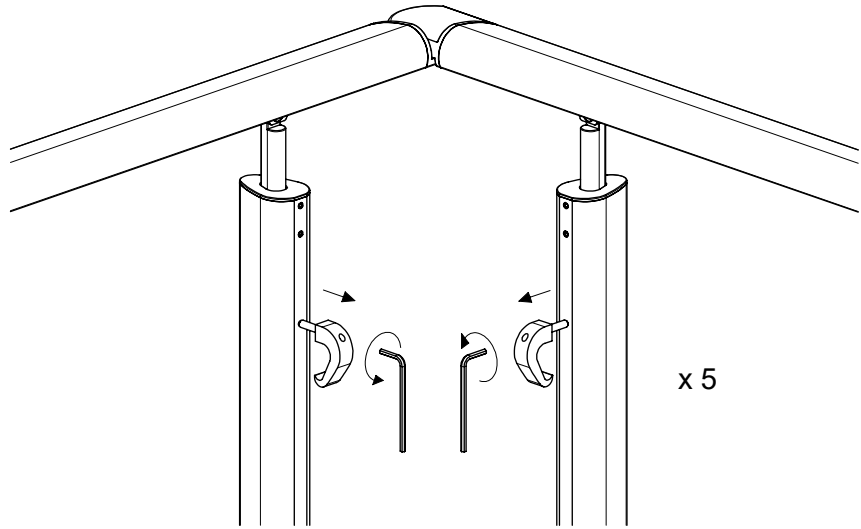


14

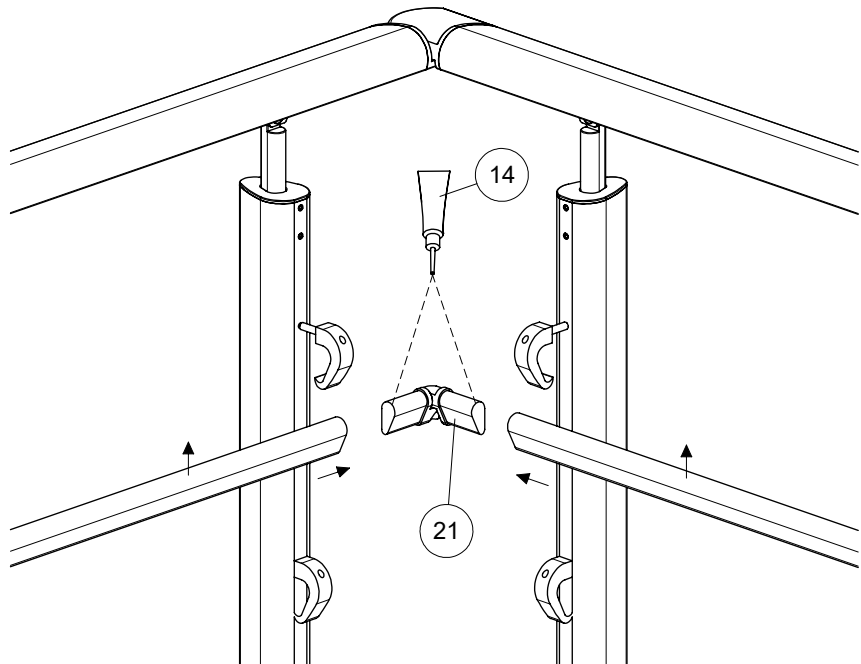
OPTION



I



II



III

