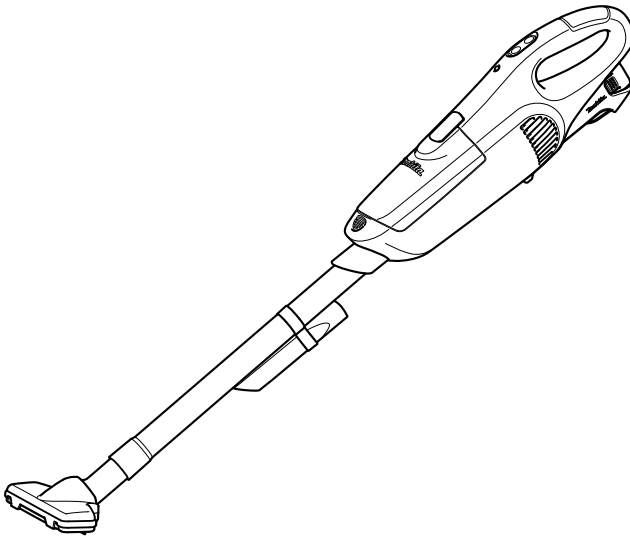
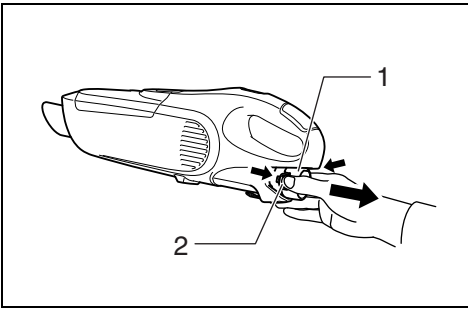




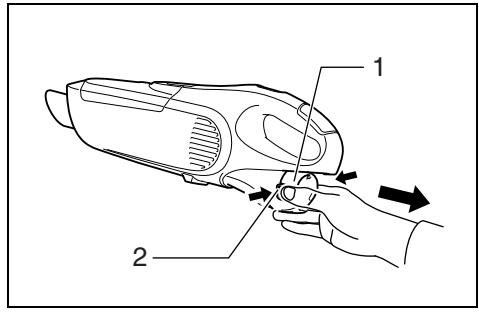
GB	Cordless Cleaner	Instruction Manual
F	Aspirateur sans Fil	Manuel d'instructions
D	Akku-Staubsauger	Betriebsanleitung
I	Aspiratore a batteria	Istruzioni per l'uso
NL	Accustofzuiger	Gebruiksaanwijzing
E	Aspiradora Inalámbrica	Manual de instrucciones
P	Aspirador de pó a bateria	Manual de instruções
DK	Akku-støvsuger	Brugsanvisning
GR	Ηλεκτρικό σκουπάκι χωρίς καλώδιο	Οδηγίες χρήσεως

CL072D
CL102D

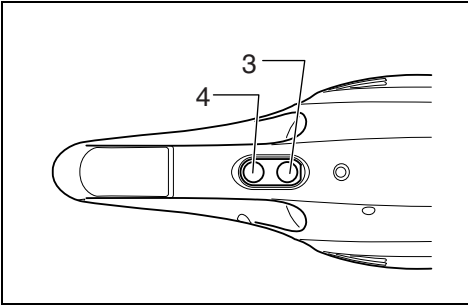




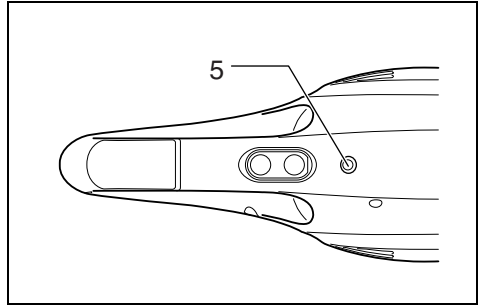
1



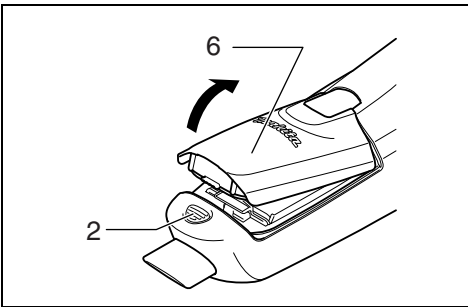
2



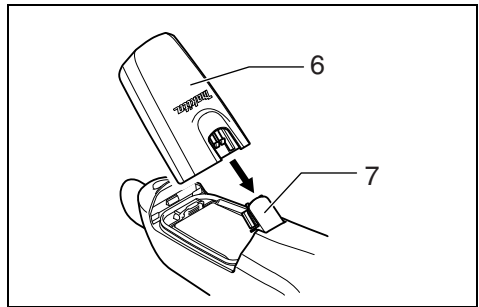
3



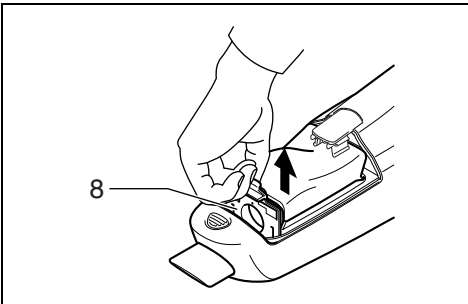
4



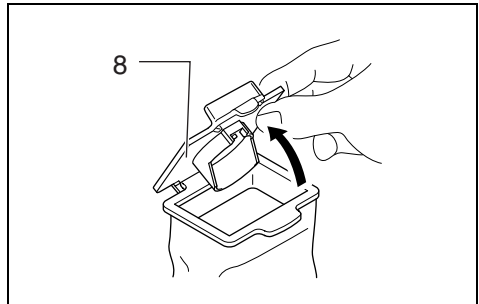
5



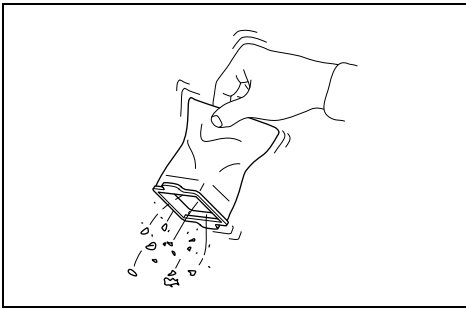
6



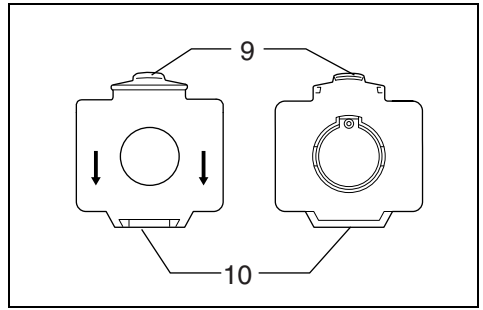
7



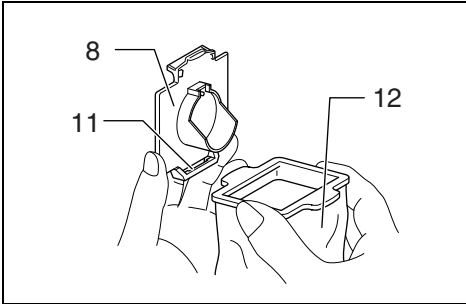
8



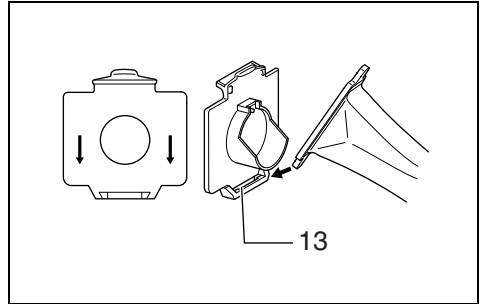
9



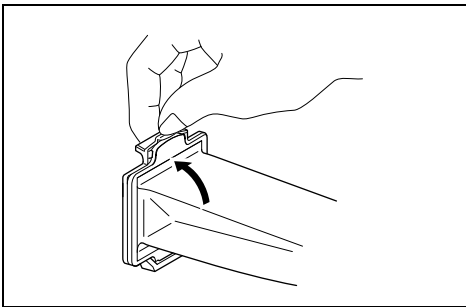
10



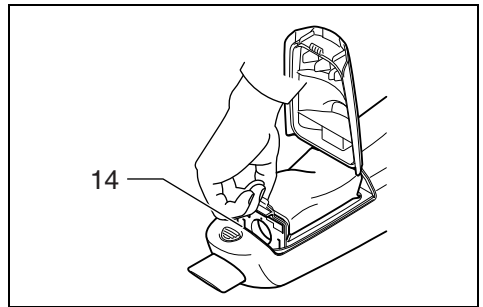
11



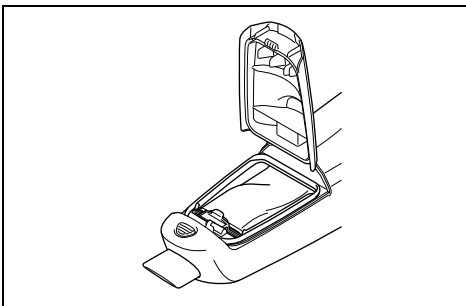
12



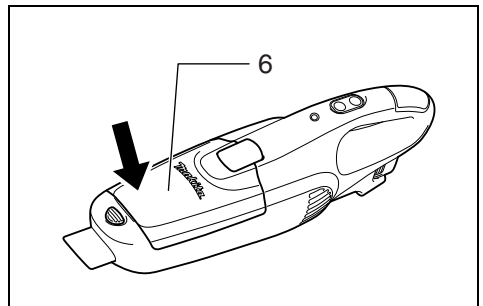
13



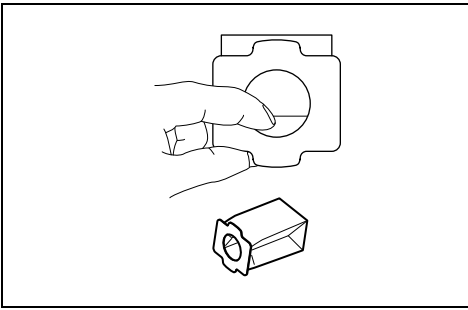
14



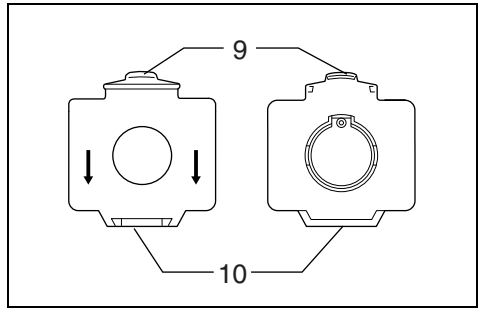
15



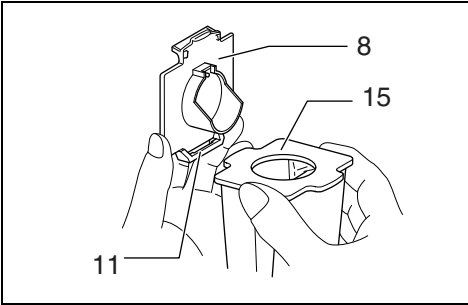
16



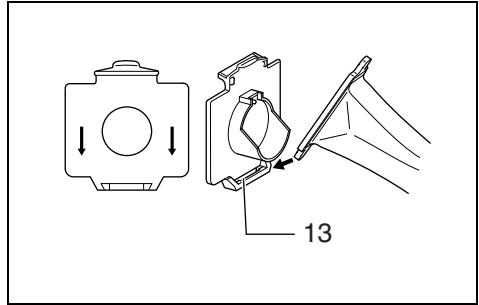
17



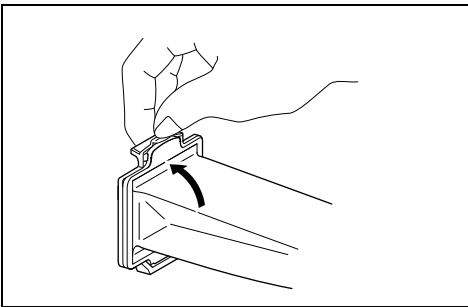
18



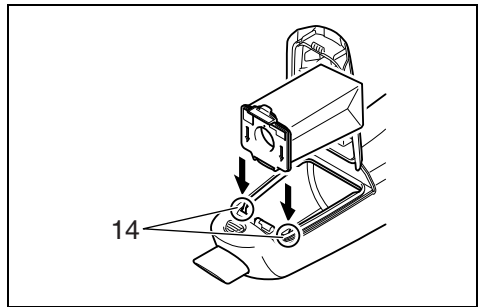
19



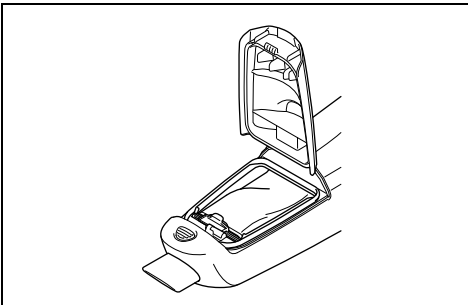
20



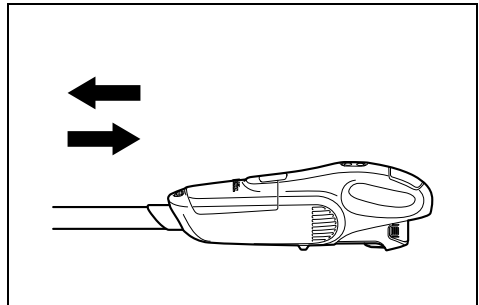
21



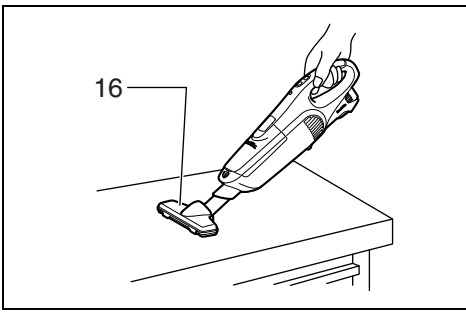
22



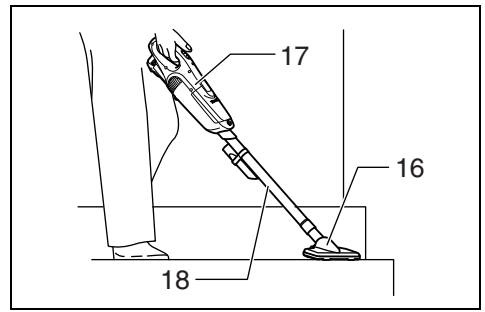
23



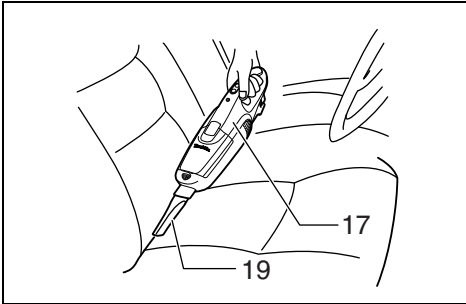
24



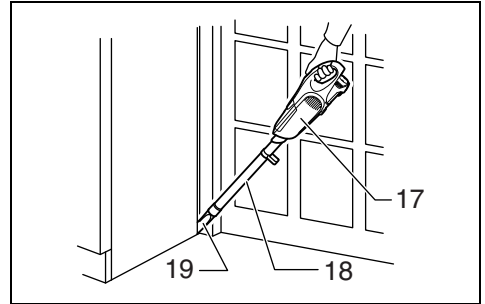
25



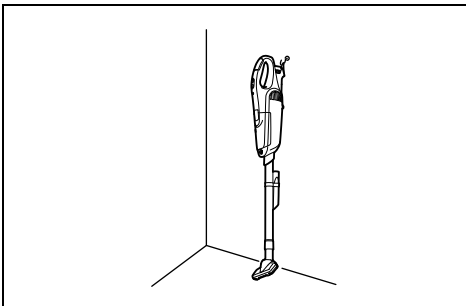
26



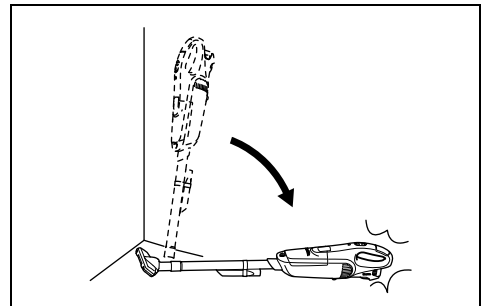
27



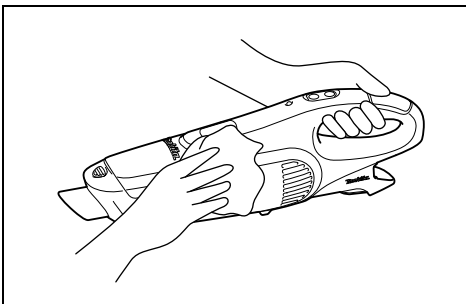
28



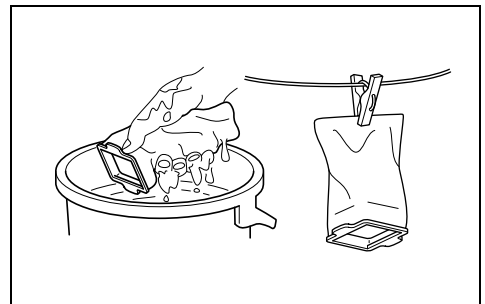
29



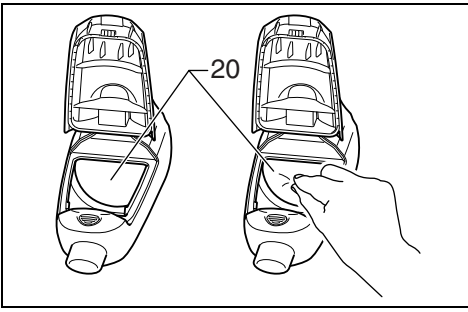
30



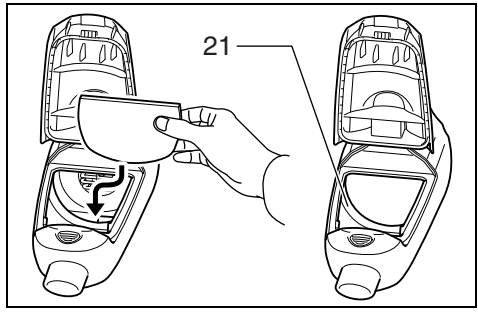
31



32



33



34

Explanation of general view

1 Battery cartridge	8 Dust stopper	15 Dust pack
2 Button	9 Upper side of dust stopper	16 Nozzle
3 HIGH/LOW button	10 Lower side of dust stopper	17 Cleaner
4 OFF button	11 Groove	18 Extension wand
5 Battery power lamp	12 Dust bag	19 Corner nozzle
6 Front cover	13 Lower groove	20 Sponge filter
7 Front cover joint	14 Cleaner cavity	21 Recessed wall

SPECIFICATIONS

Model		CL072D	CL102D
Capacity	with a dust bag	0.50 L	
	with a paper pack	0.33 L	
Continuous use	HIGH	Approx. 8 min.	Approx. 13 min.
	LOW	Approx. 16 min.	Approx. 21 min.
Overall length		984 mm	
Net weight		1.0 kg	1.1 kg
Rated voltage		D.C. 7.2 V	D.C. 10.8 V

- Due to our continuing programme of research and development, the specifications herein are subject to change without notice.
- Specifications and battery cartridge may differ from country to country.
- Weight, with battery cartridge, according to EPTA-Procedure 01/2003

Intended use

The tool is intended for collecting dry dust.

ENE017-1

ENA005-3

IMPORTANT

SAFETY INSTRUCTIONS

When using an electrical appliance, basic precautions should always be followed, including the following:

READ ALL INSTRUCTIONS BEFORE USING THIS APPLIANCE.

WARNING – To reduce the risk of fire, electric shock or injury:

1. Do not expose to rain. Store indoors.
2. Do not allow to be used as a toy. Close attention is necessary when used by or near children.
3. Use only as described in this manual. Use only manufacturer's recommended attachments.
4. Do not use with damaged battery. If appliance is not working as it should, has been dropped, damaged, left outdoors, or dropped into water, return it to a service center.
5. Do not handle appliance with wet hands.
6. Do not put any object into openings. Do not use with any opening blocked; keep free of dust, lint, hair, and anything that may reduce air flow.
7. Keep hair, loose clothing, fingers, and all parts of body away from openings and moving parts.

8. Turn off all controls before removing the battery.
9. Use extra care when cleaning on stairs.
10. Do not use to pick up flammable or combustible liquids, such as gasoline, or use in areas where they may be present.
11. Use only the charger supplied by the manufacturer to recharge.
12. Do not pick up anything that is burning or smoking, such as cigarettes, matches, or hot ashes.
13. Do not use without filters in place.
14. Do not charge the battery outdoors.
15. This appliance is not intended for use by persons (including children) with reduced physical, sensory or mental capabilities, or lack of experience and knowledge, unless they have been given supervision or instruction concerning use of the appliance by a person responsible for their safety.
16. Children should be supervised to ensure that they do not play with the appliance.

SAVE THESE INSTRUCTIONS.

This appliance is intended for household use.

ENB114-2

ADDITIONAL SAFETY RULES

1. Read this instruction manual and the charger instruction manual carefully before use.
2. Do not pick up the following materials:
 - Hot materials such as lit cigarettes or spark/metal dust generated by grinding/cutting metal
 - Flammable materials such as gasoline, thinner, benzene, kerosene or paint
 - Explosive materials like nitroglycerin
 - Ignitable materials such as Aluminum, zinc, magnesium, titanium, phosphorus or celluloid

- Wet dirt, water, oil or the like
- Hard pieces with sharp edges, such as wood chips, metals, stones, glasses, nails, pins or razors
- Powder to clot such as cement or toner
- Conductive dust such as metal or carbon
- Fine particle like concrete dust

Such action may cause fire, injury and/or property damage.

3. Stop operation immediately if you notice anything abnormal.
4. If you drop or strike the cleaner, check it carefully for cracks or damage before operation.
5. Do not bring close to stoves or other heat sources.
6. Do not block the intake hole or vent holes.

SAVE THESE INSTRUCTIONS.

ENC007-6

IMPORTANT SAFETY INSTRUCTIONS

FOR BATTERY CARTRIDGE

1. Before using battery cartridge, read all instructions and cautionary markings on (1) battery charger, (2) battery, and (3) product using battery.
2. Do not disassemble battery cartridge.
3. If operating time has become excessively shorter, stop operating immediately. It may result in a risk of overheating, possible burns and even an explosion.
4. If electrolyte gets into your eyes, rinse them out with clear water and seek medical attention right away. It may result in loss of your eyesight.
5. Do not short the battery cartridge:
 - (1) Do not touch the terminals with any conductive material.
 - (2) Avoid storing battery cartridge in a container with other metal objects such as nails, coins, etc.
 - (3) Do not expose battery cartridge to water or rain.

A battery short can cause a large current flow, overheating, possible burns and even a breakdown.

6. Do not store the tool and battery cartridge in locations where the temperature may reach or exceed 50°C (122°F).
7. Do not incinerate the battery cartridge even if it is severely damaged or is completely worn out. The battery cartridge can explode in a fire.
8. Be careful not to drop or strike battery.
9. Do not use a damaged battery.

SAVE THESE INSTRUCTIONS.

Tips for maintaining maximum battery life

1. Charge the battery cartridge before completely discharged.
Always stop tool operation and charge the battery cartridge when you notice less tool power.
2. Never recharge a fully charged battery cartridge. Overcharging shortens the battery service life.
3. Charge the battery cartridge with room temperature at 10°C – 40°C (50°F – 104°F). Let a hot battery cartridge cool down before charging it.

FUNCTIONAL DESCRIPTION

⚠ CAUTION:

- Always be sure that the tool is switched off and the battery cartridge is removed before adjusting or checking function on the tool.

Installing or removing battery cartridge

For Model CL072D (Fig. 1)

For Model CL102D (Fig. 2)

- Always switch off the tool before insertion or removal of the battery cartridge.
- To remove the battery cartridge, withdraw it from the tool while pressing the buttons on both sides of the cartridge.
- To insert the battery cartridge, hold it so that the battery cartridge front shape fits to that of the battery installment opening and slip it into place. Always insert it all the way until it locks in place with a little click. If not, it may accidentally fall out of the tool, causing injury to you or someone around you.
- Do not use force when inserting the battery cartridge. If the cartridge does not slide in easily, it is not being inserted correctly.

Battery protection system

The cleaner is equipped with the protection system, which automatically cuts off the output power for its long service life.

The cleaner stops during operation when the cleaner and/or battery are placed under the following situation. This is caused by the activation of protection system and does not show the cleaner trouble.

- When the cleaner is overloaded:
At this time, release the switch trigger and remove causes of overload and then pull the switch trigger again to restart.
- When the remaining battery capacity gets low:
Recharge the battery cartridge.

Switch action (Fig. 3)

To start the cleaner, simply press the "HIGH/LOW" button. To switch off, press the "OFF" button. To change the cleaner speed, press the "HIGH/LOW" button. The first press on this button is for high speed and the second press for low speed and then each press on this button repeats the high/low speed cycle alternatively.

Battery power lamp (Fig. 4)

- When the remaining battery capacity gets low, the battery power lamp blinks.
- When the remaining battery capacity gets much lower, the tool stops during operation and the battery power lamp lights up for about ten seconds. At this time, remove the battery cartridge from the tool and charge it.

NOTE:

- The time at which the battery power lamp start blinking or lighting up depends on the temperature at work place and the battery cartridge conditions.

ASSEMBLY

⚠ CAUTION:

- Always be sure that the tool is switched off and the battery cartridge is removed before carrying out any work on the tool.

Disposing of Dust (Fig. 5, 6, 7, 8 & 9)

⚠ CAUTION:

- Empty the cleaner before it becomes too full, or the suction force weakens.
 - Be sure to empty out the dust inside the cleaner itself. Failure to do so may cause the sponge filter to be clogged or the motor to be damaged.
 - Never throw away the dust stopper because it should be used whenever either the dust bag or the dust pack is used.
1. Push the button to open the front cover. Opening it until a click is heard allows a positive stop at that position.

NOTE:

- The cleaner is constructed in such a way that the front cover comes off when trying to force the front cover open at the angle of more than 90°. If the front cover comes off, insert it into the front cover joint in place.

⚠ CAUTION:

- When closing the front cover, be careful not to pinch your fingers.
2. Pull out both the orange-colored dust stopper and dust bag together at the same time.
 3. Remove the dust stopper and empty the cleaner.

Dust bag and paper pack

Install either dust bag or paper pack before using cleaner.

Use the dust stopper when installing either dust bag or paper pack.

Dust bag are usable many times repeatedly by cleaning it out.

Paper pack is a throw-away type. Throw away the entire paper pack without emptying when it has become full.

Installing dust bag (Fig. 10, 11, 12, 13, 14, 15 & 16)

Use the dust stopper when installing dust bag. Be careful not to take the upper side for the lower side by mistake because they are different each other.

1. Insert the protrusion of the dust bag into the groove in the dust stopper as shown in the figure.
2. There is no distinction between the upper and lower sides of the dust bag. You may insert its protrusion of any side into the lower groove of the dust stopper.
3. Overlap the frame of dust stopper with that of the dust bag.
4. Place the dust stopper and the dust bag together into the cleaner cavity in the same direction of arrow on the dust stopper. Insert them all the way into the slots in the cleaner cavity.
5. Place the entire cloth part of the dust bag inside the tool itself.
6. Close the front cover completely.

Installing the paper pack (Fig. 17, 18, 19, 20, 21, 22 & 23)

1. Unfold the entrance of the paper pack before setting it on the dust stopper.

Use the dust stopper also when installing dust pack. Be careful not to take the upper side for the lower side by mistake because they are different each other.

2. Insert the protrusion of the dust pack into the groove in the dust stopper as shown in the figure.
3. There is no distinction between the upper and lower sides of the dust pack. You may insert its protrusion of any side into the lower groove of the dust stopper.
4. Overlap the frame of dust stopper with that of the dust pack.
5. Place the dust stopper and the dust pack together into the cleaner cavity in the same direction of arrow on the dust stopper. Insert them all the way into the slots in the cleaner cavity.
6. Place the entire container part of the dust pack inside the tool itself.
7. Close the front cover completely.

⚠ CAUTION:

- Forgetting to install the dust bag or the dust pack, failure to insert the dust stopper together with the dust bag or the dust pack all the way into the slots or using a broken or ripped bag, may allow dust to get into the motor. This may result in motor failure.
- Do not fold the cardboard at its opening when installing the paper pack.
- Never throw away the dust stopper because it need to be used repeatedly whenever either the dust bag or the dust pack is used.
- The paper pack for the cleaner is an important component for maintaining the tool performance. Using other than the genuine paper pack may cause smokes or ignition.

OPERATION

⚠ CAUTION:

- To connect attachments, such as nozzle, twist-insert attachment in direction of arrow to ensure secure connection during use. To disconnect attachment, twist-extract also in direction of arrow. (Fig. 24)

Cleaning (Suction)

Nozzle (Fig. 25)

Attach the nozzle to clean off tables, desks, furniture, etc. Nozzle slips on easily.

Nozzle + Extension wand (Straight pipe) (Fig. 26)

The extension wand fits in between the nozzle and the cleaner itself. This arrangement is convenient for cleaning a floor while standing erect.

Corner nozzle (Fig. 27)

Fit on the corner nozzle for cleaning corners and crevices of a car or furniture.

Corner nozzle + Extension wand (Straight pipe) (Fig. 28)

In tight quarters where the cleaner itself cannot squeeze in, or in high places hard to reach, use this arrangement.

MAINTENANCE

⚠ CAUTION:

- Always be sure that the tool is switched off before attempting to perform inspection or maintenance.

After use (Fig. 29)

When storing the cleaner, hang it from a nail using the hand strap.

NOTE:

- Putting the cleaner against the wall without any other support cause the cleaner to fall down and be damaged. (Fig. 30)

Cleaning (Fig. 31 & 32)

From time to time wipe off the outside (cleaner body) of the cleaner using a cloth dampened in soapy water. Clean out also the suction opening, dust bag/dust pack mounting area and the dust stopper.

⚠ CAUTION:

- Never use gasoline, benzine, thinner, alcohol or the like. Discoloration, deformation or cracks may result.

Wash the dust bag in soapy water when it is clogged with dust and the cleaner power becomes small. Dry it out thoroughly before use. An insufficiently dried bag may cause poor suction and shorten the service life of the motor.

NOTE:

- Dust pack is a throw-away type.

When the sponge filter is clogged with dust, remove it from the cleaner and then wipe it off or wash in water.

Removing and installing the sponge filter (Fig. 33 & 34)

To remove the sponge filter, remove the dust bag or dust pack and then pinch and take it out.

Press in the whole edge of the sponge filter against the recessed wall inside the dust bag/dust pack mounting area.

⚠ CAUTION:

- After cleaning sponge filter, be sure to install it on the cleaner. If washed in water, dry it up before installing. An insufficiently dried sponge filter may shorten the service life of the motor.

Things to Check Before Asking for Repairs

Symptom	Area to be investigated	Fixing method
Weak suction power	<ul style="list-style-type: none"> • Is dust bag or paper pack full of dust ? • Is dust bag clogged ? • Is paper pack clogged ? • Is battery cartridge exhausted ? 	<ul style="list-style-type: none"> • Empty dust bag or paper pack. • Dust down or wash the dust bag. • Replace paper pack. • Charge the battery cartridge.
Not working	<ul style="list-style-type: none"> • Is battery cartridge exhausted ? 	<ul style="list-style-type: none"> • Charge the battery cartridge.

NOTE:

- Do not attempt to repair cleaner by yourself.

To maintain product SAFETY and RELIABILITY, repairs, any other maintenance or adjustment should be performed by Makita Authorized Service Centers, always using Makita replacement parts.

ACCESSORIES**⚠ CAUTION:**

- These accessories or attachments are recommended for use with your Makita cleaner specified in this manual. The use of any other accessories or attachments might present a risk of injury to persons. Only use accessory or attachment for its stated purpose.

If you need any assistance for more details regarding these accessories, ask your local Makita Service Center.

- Extension wand (Straight pipe)
- Nozzle
- Nozzle for carpet
- Shelf brush
- Corner nozzle
- Round brush
- Flexible hose
- Paper pack
- Various type of Makita genuine batteries and chargers

Descriptif

1 Batterie	8 Écran antipoussières	14 Cavité de l'aspirateur
2 Bouton	9 Face supérieure de l'écran antipoussières	15 Ensemble papier
3 Bouton HIGH/LOW		16 Raccord
4 Bouton OFF	10 Face inférieure de l'écran antipoussières	17 Aspirateur
5 Témoins d'alimentation de la batterie	11 Rainure	18 Tube prolongateur
6 Couvercle avant	12 Sac à poussières	19 Raccord pour coin
7 Raccord de couvercle avant	13 Rainure inférieure	20 Filtre-éponge
		21 Paroi encastrée

SPÉCIFICATIONS

Modèle		CL072D	CL102D
Capacité	avec un sac à poussières	0,50 L	
	avec un ensemble papier	0,33 L	
Utilisation continue	HIGH	Environ 8 min.	Environ 13 min.
	LOW	Environ 16 min.	Environ 21 min.
Longueur totale		984 mm	
Poids net		1,0 kg	1,1 kg
Tension nominale		C.c. 7,2 V	C.c. 10,8 V

- Étant donné l'évolution constante de notre programme de recherche et de développement, les spécifications contenues dans ce manuel sont sujettes à modification sans préavis.
- Les spécifications et la batterie peuvent être différentes suivant les pays.
- Poids, avec la batterie, conformément à la procédure EPTA-01/2003

ENE017-1

Usage

L'outil est conçu pour la collecte des poussières sèches.

ENA005-3

IMPORTANT

CONSIGNES DE SÉCURITÉ

Lors de l'utilisation d'un appareil électrique, certaines précautions élémentaires s'imposent en tout temps, dont les suivantes.

LIRE TOUTES LES INSTRUCTIONS AVANT D'UTILISER CET APPAREIL.

AVERTISSEMENT – Pour réduire les risques d'incendie, de choc électrique et de blessure :

1. Ne pas exposer à la pluie. Ranger à l'intérieur.
2. Ne pas laisser utiliser comme jouet. Une surveillance étroite est requise lors de l'utilisation par un enfant ou près d'un enfant.
3. Utiliser uniquement de la façon décrite dans ce manuel. Utiliser uniquement les accessoires recommandés par le fabricant.

4. **Ne pas utiliser avec une batterie endommagée.** Si l'appareil ne fonctionne pas comme il devrait, s'il a été échappé, endommagé, laissé à l'extérieur ou échappé dans l'eau, le renvoyer à un centre de service après-vente.
5. Ne pas manipuler l'appareil avec les mains mouillées.
6. N'insérer aucun objet dans les ouvertures. Ne pas utiliser si l'une des ouvertures est bloquée ; toujours enlever les poussières, charpies, cheveux et autres corps étrangers pouvant affecter la circulation de l'air.
7. Garder les cheveux, vêtements amples, doigts et toute autre partie du corps à l'écart des ouvertures et des pièces en mouvement.
8. Désactiver toutes les commandes avant de retirer la batterie.
9. Être tout particulièrement prudent lorsque l'on passe l'aspirateur dans un escalier.
10. Ne pas utiliser pour collecter des liquides inflammables ou combustibles tels que l'essence, ou dans des zones où de tels liquides peuvent être présents.
11. Pour charger la batterie, utiliser uniquement le chargeur fourni par le fabricant.
12. Ne collecter aucune substance enflammée ou qui dégage de la fumée, telles que cigarettes, allumettes ou cendres chaudes.
13. Ne pas utiliser sans avoir posé les filtres.
14. Ne pas charger la batterie à l'extérieur.

15. Cet appareil n'est pas conçu pour l'utilisation par des personnes (y compris les enfants) à capacités physiques, sensorielles ou mentales réduites, ni par des personnes n'ayant pas l'expérience et les connaissances requises, à moins qu'elles ne soient supervisées ou n'aient reçu les instructions d'utilisation de l'appareil par une personne assumant la responsabilité de leur sécurité.
16. Les enfants doivent être surveillés pour s'assurer qu'ils ne jouent pas avec l'appareil.

CONSERVER CES INSTRUCTIONS.

Cet appareil est conçu pour l'utilisation à l'intérieur.

ENB114-2

CONSIGNES DE SÉCURITÉ ADDITIONNELLES

1. Lire attentivement ce manuel d'instructions et celui du chargeur avant l'utilisation.
2. Ne pas collecter les matériaux suivants :
 - Matériaux chauds tels que cigarettes allumées, étincelles ou poussières de métal générées par le meulage ou la coupe du métal
 - Matériaux inflammables tels que l'essence, les diluants, la benzine, le kérosène et la peinture
 - Matériaux explosifs tels que la nitroglycérine
 - Matériaux inflammables tels que l'aluminium, le zinc, le magnésium, le titane, le phosphore et le celluloid
 - Saletés mouillées, eau, huile, etc.
 - Pièces dures à bords tranchants, telles que copeaux de bois, pièces de métal, pierres, verres, clous, broches et lames de rasoir
 - Poudres telles que ciment en poudre ou encre en poudre
 - Poussière conductrice telle que poussière de métal ou de carbone
 - Particules fines telles que la poussière de ciment

La collecte de tels matériaux peut causer un incendie, une blessure ou des dommages à la propriété.

3. Cesser immédiatement l'utilisation en cas d'anomalie.
4. Si l'aspirateur est échappé ou heurté, vérifier attentivement l'absence de fissures ou de dommages avant l'utilisation.
5. Ne pas approcher des fourneaux ou autres sources de chaleur.
6. Ne pas bloquer les orifices d'entrée ou de sortie d'air.

CONSERVER CES INSTRUCTIONS.

ENC007-6

CONSIGNES DE SÉCURITÉ IMPORTANTES

POUR LA BATTERIE

1. Avant d'utiliser la batterie, lisez toutes les instructions et précautions relatives (1) au chargeur de batterie, (2) à la batterie, et (3) à l'outil utilisant la batterie.
2. Ne démontez pas la batterie.

3. Cessez immédiatement l'utilisation si le temps de fonctionnement devient excessivement court. Il y a risque de surchauffe, de brûlures, voire d'explosion.
4. Si l'électrolyte pénètre dans vos yeux, rincez-les à l'eau claire et consultez immédiatement un médecin. Il y a risque de perte de la vue.
5. Ne court-circuitez pas la batterie :
 - (1) Ne touchez les bornes avec aucun matériau conducteur.
 - (2) Évitez de ranger la batterie dans un conteneur avec d'autres objets métalliques, par exemple des clous, des pièces de monnaie, etc.
 - (3) N'exposez pas la batterie à l'eau ou à la pluie. Un court-circuit de la batterie pourrait provoquer un fort courant, une surchauffe, parfois des brûlures et même une panne.
6. Ne rangez pas l'outil ou la batterie dans des endroits où la température risque d'atteindre ou de dépasser 50°C.
7. Ne jetez pas la batterie au feu même si elle est sérieusement endommagée ou complètement épuisée. La batterie peut exploser au contact du feu.
8. Prenez garde d'échapper ou de heurter la batterie.
9. N'utilisez pas la batterie si elle est abîmée.

CONSERVEZ CES INSTRUCTIONS.

Conseils pour assurer la durée de vie optimale de la batterie

1. Rechargez la batterie avant qu'elle ne soit complètement déchargée. Arrêtez toujours l'outil et rechargez la batterie quand vous remarquez que la puissance de l'outil diminue.
2. Ne rechargez jamais une batterie complètement chargée. La surcharge réduit la durée de service de la batterie.
3. Chargez la batterie alors que la température de la pièce se trouve entre 10°C et 40°C. Avant de charger une batterie chaude, laissez-la refroidir.

DESCRIPTION DU FONCTIONNEMENT

⚠ ATTENTION :

- Assurez-vous toujours que l'outil est hors tension et que sa batterie est retirée avant de l'ajuster ou de vérifier son fonctionnement.

Installation ou retrait de la batterie

Pour le modèle CL072D (Fig. 1)

Pour le modèle CL102D (Fig. 2)

- Mettez toujours l'outil hors tension avant d'insérer ou de retirer la batterie.
- Pour enlever la batterie, sortez-la de l'outil en appuyant sur les boutons placés de chaque côté de la batterie.
- Pour insérer la batterie, l'introduire par sa face avant dans l'ouverture, puis la glisser en place. Toujours l'insérer à fond, jusqu'à ce qu'elle se verrouille avec un léger bruit sec. Autrement elle risquerait de vous blesser ou de blesser quelqu'un d'autre en tombant de l'outil.
- N'appliquez pas une force excessive lors de l'insertion de la batterie. Si la batterie ne glisse pas aisément, c'est qu'elle n'est pas insérée correctement.

Circuit de protection de la batterie

L'aspirateur est doté d'un circuit de protection qui coupe automatiquement l'alimentation afin d'assurer une longue durée de service.

Il se peut que l'aspirateur s'arrête pendant l'utilisation lorsque l'aspirateur ou la batterie se trouve dans la situation suivante. Cet arrêt est causé par l'activation du circuit de protection et n'indique aucun dysfonctionnement.

- Lorsque l'aspirateur est surchargé :
Libérez alors la gâchette et corrigez la cause de la surcharge, puis appuyez de nouveau sur la gâchette pour redémarrer.
- Lorsque la charge restante de la batterie de vient basse :
Rechargez la batterie.

Interrupteur (Fig. 3)

Pour faire démarrer l'aspirateur, appuyez simplement sur le bouton "HIGH/LOW". Pour l'éteindre, appuyez sur le bouton "OFF". Pour modifier la puissance de l'aspirateur, appuyez sur le bouton "HIGH/LOW". La première pression sur ce bouton est pour la puissance élevée, et la deuxième pour la basse puissance ; chaque nouvelle pression sur ce bouton répète l'alternance du cycle de puissance élevée/basse.

Témoin d'alimentation de la batterie (Fig. 4)

- Lorsque la charge restante de la batterie devient basse, le témoin d'alimentation de la batterie clignote.
- Lorsque la charge restante de la batterie devient encore plus basse, l'outil s'arrête pendant l'utilisation et le témoin d'alimentation de la batterie s'allume pendant environ 10 secondes. Retirez alors la batterie de l'outil et chargez-la.

NOTE :

- Le moment où le témoin d'alimentation de la batterie se met à clignoter ou s'allume varie suivant la température du lieu de travail et l'état de la batterie.

ASSEMBLAGE

⚠ ATTENTION :

- Assurez-vous toujours que l'outil est hors tension et que sa batterie est retirée avant d'effectuer tout travail dessus.

Mise au rebut des poussières (Fig. 5, 6, 7, 8 et 9)

⚠ ATTENTION :

- Vider l'aspirateur avant qu'il ne soit trop plein, autrement sa puissance d'aspiration sera moindre.
 - S'assurer qu'il n'y a plus de poussières à l'intérieur de l'aspirateur lui-même. Sinon, vous risquez de boucher le filtre-éponge ou d'endommager le moteur.
 - Ne jetez pas l'écran antipoussières, car vous devez l'utiliser chaque fois que vous utilisez le sac à poussières ou l'ensemble papier.
1. Appuyez sur le bouton pour ouvrir le couvercle avant. Ouvrez-le jusqu'à ce qu'il émette un léger bruit sec pour le verrouiller en position ouverte.

NOTE :

- L'aspirateur est conçu de telle sorte que le couvercle avant se détache lorsqu'on le force à s'ouvrir avec un angle supérieur à 90°. Si le couvercle avant se détache, remettez-le en place en l'insérant dans le raccord de couvercle avant.

⚠ ATTENTION :

- Prenez garde de vous pincer les doigts en fermant le couvercle avant.
2. Tirez en même temps sur l'écran antipoussières orange et sur le sac à poussières.
 3. Retirez l'écran antipoussières et videz l'aspirateur.

Sac à poussières et ensemble papier

Installez le sac à poussières ou l'ensemble papier avant d'utiliser l'aspirateur.

Utilisez aussi l'écran antipoussières lorsque vous installez le sac à poussières ou l'ensemble papier.

Le sac à poussières peut être utilisé plusieurs fois s'il est nettoyé.

L'ensemble papier est de type jetable. Lorsqu'il est plein, jetez-le en entier, sans le vider.

Pose du sac à poussières (Fig. 10, 11, 12, 13, 14, 15 et 16)

Utilisez l'écran antipoussières lorsque vous installez le sac à poussières. Prenez garde d'inverser les faces supérieure et inférieure, car elles sont différentes.

1. Insérez la partie saillante du sac à poussières dans la rainure de l'écran antipoussières, tel qu'illustré.
2. Les faces supérieure et inférieure du sac à poussières sont identiques. Vous pouvez insérer la partie saillante de l'une ou l'autre dans la rainure inférieure de l'écran antipoussières.
3. Faites chevaucher le cadre de l'écran antipoussières et celui du sac à poussières.
4. Mettez l'écran antipoussières et le sac à poussières ensemble dans la cavité de l'aspirateur, dans le sens indiqué par la flèche de l'écran antipoussières. Insérez-les à fond dans les fentes de la cavité de l'aspirateur.
5. Mettez toute la partie en tissu du sac à poussières à l'intérieur de l'outil lui-même.
6. Fermez complètement le couvercle avant.

Pose de l'ensemble papier (Fig. 17, 18, 19, 20, 21, 22 et 23)

1. Dépliez l'ouverture de l'ensemble papier avant de le poser sur l'écran antipoussières.

Utilisez aussi l'écran antipoussières lorsque vous installez l'ensemble papier. Prenez garde d'inverser les faces supérieure et inférieure, car elles sont différentes.

2. Insérez la partie saillante de l'ensemble papier dans la rainure de l'écran antipoussières, tel qu'illustré.
3. Les faces supérieure et inférieure de l'ensemble papier sont identiques. Vous pouvez insérer la partie saillante de l'une ou l'autre dans la rainure inférieure de l'écran antipoussières.
4. Faites chevaucher le cadre de l'écran antipoussières et celui de l'ensemble papier.
5. Mettez l'écran antipoussières et l'ensemble papier ensemble dans la cavité de l'aspirateur, dans le sens indiqué par la flèche de l'écran antipoussières. Insérez-les à fond dans les fentes de la cavité de l'aspirateur.
6. Mettez tout le contenant de l'ensemble papier à l'intérieur de l'outil lui-même.
7. Fermez complètement le couvercle avant.

ATTENTION :

- Les poussières risqueront de pénétrer dans le moteur si vous oubliez d'installer le sac à poussières ou l'ensemble papier, si vous n'insérez pas ensemble l'écran antipoussières et le sac à poussières ou l'ensemble papier à fond dans les fentes, ou si vous utilisez un sac abîmé ou déchiré. Cela peut causer une panne du moteur.
- En installant l'ensemble papier, ne pliez pas le carton à l'emplacement de l'ouverture.
- Ne jetez pas l'écran antipoussières, car il doit être réutilisé à chaque utilisation du sac à poussières ou de l'ensemble papier.
- L'ensemble papier de l'aspirateur est un composant important pour maintenir le bon fonctionnement de l'outil. L'outil risque de dégager de la fumée ou de s'enflammer si vous n'utilisez pas un ensemble papier authentique.

OPERATION

ATTENTION :

- Pour connecter des accessoires tels qu'un raccord, les insérer en tournant dans le sens de la flèche pour assurer une connexion sûre pendant l'utilisation. Pour déconnecter l'accessoire, tirer en tournant aussi dans le sens de la flèche. (Fig. 24)

Nettoyage (aspiration)

Raccord (Fig. 25)

Fixer le raccord pour nettoyer les tables, bureaux, meubles, etc. Le raccord se glisse facilement en place.

Raccord + tube prolongateur (tuyau rectiligne) (Fig. 26)

Le tube prolongateur s'installe entre le raccord et l'aspirateur. Il permet de passer l'aspirateur sur le plancher tout en restant debout.

Raccord pour coin (Fig. 27)

Installer le raccord pour coin lorsque l'on passe l'aspirateur dans les coins ou dans les interstices d'un véhicule ou d'un meuble.

Raccord pour coin + tube prolongateur (tuyau rectiligne) (Fig. 28)

Utiliser cette combinaison pour passer l'aspirateur dans les endroits étroits ou dans les endroits élevés difficiles à atteindre.

ENTRETIEN

ATTENTION :

- Toujours s'assurer que l'outil est éteint avant d'effectuer son inspection ou son entretien.

Après l'utilisation (Fig. 29)

Pour ranger l'aspirateur, accrochez-le à un clou par sa dragonne.

NOTE :

- L'aspirateur risque de basculer et de subir des dommages si vous le placez simplement contre un mur sans aucun autre soutien. (Fig. 30)

Nettoyage (Fig. 31 et 32)

Essuyer de temps à autre la surface extérieure (le boîtier) de l'aspirateur à l'aide d'un chiffon humecté dans de l'eau savonneuse. Nettoyer aussi l'ouverture d'aspiration, la zone de montage du sac à poussières / de l'ensemble papier, et l'écran antipoussières.

ATTENTION :

- N'utilisez jamais d'essence, benzine, diluant, alcool ou autre produit similaire. Cela risquerait de provoquer la décoloration, la déformation ou la fissuration de l'outil.

Lavez le sac à poussières dans une eau savonneuse lorsqu'il est bouché par les poussières et que sa puissance d'aspiration devient faible. Laissez-le sécher complètement avant l'utilisation. Si le sac n'est pas bien sec, cela risque d'affecter la puissance d'aspiration et de raccourcir la durée de service du moteur.

NOTE :

- L'ensemble papier est de type jetable.

Lorsque le filtre-éponge est bouché par les poussières, retirez-le de l'aspirateur et essuyez-le ou lavez-le à l'eau.

Pose et dépose du filtre-éponge (Fig. 33 et 34)

Pour retirer le filtre-éponge, retirez d'abord le sac à poussières ou l'ensemble papier, puis pincez le filtre-éponge et tirez pour le retirer.

Appuyez tout le bord du filtre-éponge contre la paroi encastrée à l'intérieur de la zone de montage du sac à poussières / de l'ensemble papier.

ATTENTION :

- Après avoir nettoyé le filtre-éponge, n'oubliez pas de le remettre en place sur l'aspirateur. S'il a été lavé à l'eau, laissez-le sécher avant de le remettre en place. S'il n'est pas bien sec, le filtre-éponge peut raccourcir la durée de service du moteur.

Points à vérifier avant de faire une demande de réparation

Symptôme	Point à vérifier	Méthode de réparation
Faible puissance d'aspiration	<ul style="list-style-type: none">• Le sac à poussières ou l'ensemble papier est-il plein de poussières ?• Le sac à poussières est-il bouché ?• L'ensemble papier est-il bouché ?• La batterie est-elle épuisée ?	<ul style="list-style-type: none">• Videz le sac à poussières ou l'ensemble papier.• Nettoyez ou lavez le sac à poussières.• Remplacez l'ensemble papier.• Chargez la batterie.
Ne fonctionne pas	<ul style="list-style-type: none">• La batterie est-elle épuisée ?	<ul style="list-style-type: none">• Chargez la batterie.

NOTE :

- Ne pas essayer de réparer l'aspirateur soi-même.

Pour maintenir la SÉCURITÉ et la FIABILITÉ du produit, les réparations, travaux d'entretien et autres réglages doivent être effectués dans un centre de service Makita agréé, exclusivement avec des pièces de rechange Makita.

ACCESSOIRES

ATTENTION :

- Ces accessoires et pièces complémentaires sont recommandés pour l'utilisation avec l'aspirateur Makita spécifié dans le présent manuel. L'utilisation de tout autre accessoire ou pièce complémentaire peut comporter un risque de blessure. N'utilisez les accessoires ou pièces qu'aux fins auxquelles ils ont été conçus.

Pour plus d'informations concernant ces accessoires, s'informer auprès du centre de service Makita le plus près.

- Tube prolongateur (tuyau rectiligne)
- Raccord
- Raccord pour tapis
- Brosse pour étagères
- Raccord pour coin
- Brosse ronde
- Boyau flexible
- Ensemble papier
- Les divers types de batteries et chargeurs Makita authentiques

Übersicht

- | | | |
|--------------------------------------|---------------------|----------------------|
| 1 Akku | 8 Staubsackanschlag | 14 Staubsackkammer |
| 2 Knopf | 9 Oberseite des | 15 Papierbeutel |
| 3 Drehzahlwahltaste (HIGH/LOW) | Staubsackanschlags | 16 Bürste |
| 4 Ausschalttaste (OFF) | 10 Unterseite des | 17 Staubsauger |
| 5 Akku-Warnleuchte | Staubsackanschlags | 18 Verlängerungsrohr |
| 6 Frontabdeckung | 11 Führungsnut | 19 Spitzdüse |
| 7 Frontabdeckungs-
Anschlussstück | 12 Staubsack | 20 Schwammfilter |
| | 13 Untere Nut | 21 Vertiefte Wand |

TECHNISCHE DATEN

Modell		CL072D	CL102D
Kapazität	mit Staubsack	0,50 L	
	mit Papierbeutel	0,33 L	
Dauerbetrieb	STARK (HIGH)	ca. 8 Min.	ca. 13 Min.
	SCHWACH (LOW)	ca. 16 Min.	ca. 21 Min.
Gesamtlänge		984 mm	
Nettogewicht		1,0 kg	1,1 kg
Nennspannung		7,2 V Gleichstrom	10,8 V Gleichstrom

- Wir behalten uns vor, Änderungen im Zuge der Entwicklung und des technischen Fortschritts ohne vorherige Ankündigung vorzunehmen.
- Die technischen Daten und der Akku können von Land zu Land unterschiedlich sein.
- Gewicht mit Akku nach EPTA-Verfahren 01/2003

ENE017-1

Vorgesehene Verwendung

Die Maschine ist für das Absaugen von Trockenstaub vorgesehen.

ENA005-3

WICHTIG

SICHERHEITSVORSCHRIFTEN

Bei der Verwendung eines Elektrogerätes sind grundsätzliche Vorsichtsmaßnahmen, einschließlich der folgenden, stets zu beachten:

LESEN SIE ALLE ANWEISUNGEN VOR DER BENUTZUNG DIESES GERÄTES.

WARNUNG – Zur Reduzierung von Brand-, Stromschlag- oder Verletzungsgefahr:

- Das Gerät keinem Regen aussetzen. In Innenräumen aufbewahren.
- Das Gerät darf nicht als Spielzeug benutzt werden. Wenn das Gerät von Kindern oder in deren Nähe benutzt wird, ist besondere Vorsicht geboten.
- Nur gemäß der Beschreibung in dieser Anleitung benutzen. Nur vom Hersteller empfohlene Zusatzvorrichtungen verwenden.
- Nicht mit beschädigtem Akku benutzen. Falls das Gerät nicht ordnungsgemäß funktioniert, fallen gelassen, beschädigt, im Freien liegen gelassen wurde oder ins Wasser gefallen ist, bringen Sie es zu einer Kundendienststelle.
- Fassen Sie das Gerät nicht mit nassen Händen an.

- Stecken Sie keine Gegenstände in die Öffnungen. Benutzen Sie das Gerät nicht mit einer blockierten Öffnung; halten Sie es frei von Staub, Fusseln, Haaren und Fremdkörpern, die den Luftstrom behindern können.
- Halten Sie Haare, lose Kleidung, Finger und alle Körperteile von den Öffnungen und beweglichen Teilen fern.
- Schalten Sie sämtliche Bedienelemente aus, bevor Sie den Akku abnehmen.
- Lassen Sie bei der Reinigung von Treppen besondere Vorsicht walten.
- Verwenden Sie das Gerät nicht zum Aufsaugen von brennbaren oder feuergefährlichen Flüssigkeiten, wie z. B. Benzin, und benutzen Sie es auch nicht in der Nähe solcher Flüssigkeiten.
- Verwenden Sie nur das vom Hersteller gelieferte Ladegerät zum Aufladen.
- Saugen Sie keine brennenden oder rauchenden Gegenstände auf, wie z. B. Zigaretten, Streichhölzer oder heiße Asche.
- Saugen Sie das Gerät nicht ohne Filter.
- Laden Sie den Akku nicht im Freien.
- Dieses Gerät ist nicht für den Gebrauch durch Personen (einschließlich Kindern) mit verminderten körperlichen oder geistigen Fähigkeiten oder mangelnder Erfahrung und Kenntnis vorgesehen, es sei denn, sie haben eine Betreuung oder Unterweisung im Gebrauch des Gerätes von einer Person erhalten, die für ihre Sicherheit verantwortlich ist.
- Kinder sollten beaufsichtigt werden, um sicherzugehen, dass sie nicht mit dem Gerät spielen.

BEWAHREN SIE DIESE HINWEISE SORGFÄLTIG AUF.

Dieses Gerät ist für Haushaltsgebrauch vorgesehen.

ZUSÄTZLICHE SICHERHEITSREGELN

1. Lesen Sie diese Gebrauchsanleitung und die Gebrauchsanleitung des Ladegerätes vor der Benutzung durch.
2. Unterlassen Sie das Aufsaugen der folgenden Materialien:
 - Heiße Materialien, wie z. B. brennende Zigaretten oder durch Schleifen/Schneiden von Metall erzeugte Funken/Metallstaub
 - Brennbare Materialien, wie z. B. Benzin, Verdünnern, Benzol, Petroleum oder Lack
 - Explosive Materialien, wie Nitroglycerin
 - Zündfähige Materialien, wie z. B. Aluminium, Zink, Magnesium, Titan, Phosphor oder Celluloid
 - Nassen Schmutz, Wasser, Öl o. Ä.
 - Harte Gegenstände mit scharfen Kanten, wie z. B. Holzspäne, Metalle, Steine, Glas, Nägel, Nadeln oder Rasierklingen
 - Klumpen bildendes Pulver, wie z. B. Zement oder Toner
 - Leitfähiger Staub, wie z. B. Metall- oder Kohlenstaub
 - Feine Partikel, wie z. B. Betonstaub
 Solche Handlungen können einen Brand, Verletzungen und/oder Sachschäden verursachen.
3. Brechen Sie den Betrieb sofort ab, wenn Sie irgendetwas Ungewöhnliches bemerken.
4. Falls Sie den Staubsauger fallen lassen oder anstoßen, überprüfen Sie ihn vor der Benutzung sorgfältig auf Risse oder Beschädigung.
5. Bringen Sie das Gerät nicht in die Nähe von Öfen oder anderen Wärmequellen.
6. Blockieren Sie nicht die Einlassöffnung oder die Belüftungsöffnungen.

BEWAHREN SIE DIESE HINWEISE SORGFÄLTIG AUF.

ENC007-6

WICHTIGE SICHERHEITSVORSCHRIFTEN FÜR AKKU

1. Lesen Sie vor der Benutzung des Akkus alle Anweisungen und Warnhinweise, die an (1) Ladegerät, (2) Akku und (3) Akkuwerkzeug angebracht sind.
2. Unterlassen Sie ein Zerlegen des Akkus.
3. Falls die Betriebszeit beträchtlich kürzer geworden ist, stellen Sie den Betrieb sofort ein. Andernfalls besteht die Gefahr von Überhitzung, möglichen Verbrennungen und sogar einer Explosion.
4. Falls Elektrolyt in Ihre Augen gelangt, waschen Sie sie mit sauberem Wasser aus, und begeben Sie sich unverzüglich in ärztliche Behandlung. Andernfalls können Sie Ihre Sehkraft verlieren.

5. Der Akku darf nicht kurzgeschlossen werden:
 - (1) Die Kontakte dürfen nicht mit leitfähigem Material berührt werden.
 - (2) Lagern Sie den Akku nicht in einem Behälter zusammen mit anderen Metallgegenständen, wie z.B. Nägel, Münzen usw.
 - (3) Setzen Sie den Akku weder Wasser noch Regen aus.
Ein Kurzschluss des Akkus verursacht starken Stromfluss, der Überhitzung, Verbrennungen und einen Defekt zur Folge haben kann.
6. Lagern Sie Maschine und Akku nicht an Orten, an denen die Temperatur 50°C erreichen oder überschreiten kann.
7. Versuchen Sie niemals, den Akku zu verbrennen, selbst wenn er stark beschädigt oder vollkommen verbraucht ist. Der Akku kann im Feuer explodieren.
8. Achten Sie darauf, dass der Akku nicht fallen gelassen oder Stößen ausgesetzt wird.
9. Keinen beschädigten Akku benutzen.

BEWAHREN SIE DIESE HINWEISE SORGFÄLTIG AUF.

Hinweise zur Aufrechterhaltung der maximalen Akku-Nutzungsdauer

1. Laden Sie den Akku, bevor er vollkommen erschöpft ist.
Schalten Sie die Maschine stets aus, und laden Sie den Akku, wenn Sie ein Nachlassen der Maschinenleistung feststellen.
2. Unterlassen Sie das erneute Laden eines voll aufgeladenen Akkus. Überladen führt zu einer Verkürzung der Nutzungsdauer des Akkus.
3. Laden Sie den Akku bei Raumtemperatur zwischen 10°C – 40°C. Lassen Sie einen heißen Akku abkühlen, bevor Sie ihn laden.

FUNKTIONSBESCHREIBUNG

⚠ VORSICHT:

- Vergewissern Sie sich vor der Durchführung von Einstellungen oder Funktionsprüfungen der Maschine stets, dass die Maschine ausgeschaltet und der Akku abgenommen ist.

Anbringen und Abnehmen des Akkus

Für Modell CL072D (Abb. 1)

Für Modell CL102D (Abb. 2)

- Schalten Sie die Maschine stets aus, bevor Sie den Akku anbringen oder abnehmen.
- Zum Abnehmen des Akkus ziehen Sie ihn aus der Maschine heraus, während Sie die Entrieglungsknöpfe auf beiden Seiten drücken.
- Halten Sie den Akku zum Einsetzen so, dass die Form seiner Vorderseite in die Akku-Einschuböffnung passt, und schieben Sie ihn dann ein. Schieben Sie ihn stets vollständig ein, bis er mit einem hörbaren Klicken einrastet. Andernfalls kann er aus dem Werkzeug herausfallen und Sie oder umstehende Personen verletzen.
- Wenden Sie beim Einsetzen des Akkus keine Gewalt an. Falls der Akku nicht reibungslos hineingleitet, ist er nicht richtig ausgerichtet.

Akku-Schutzsystem

Der Staubsauger ist mit einem Schutzsystem ausgestattet, das die Stromabgabe automatisch abschaltet, um eine lange Lebensdauer zu gewährleisten.

Der Staubsauger kann sich während des Betriebs abschalten, wenn Staubsauger und/oder Akku in die folgende Situation geraten. Dies wird durch die Aktivierung des Schutzsystems verursacht und ist kein Anzeichen für eine Störung des Staubsaugers.

- Wenn der Staubsauger überlastet wird:
Lassen Sie in diesem Fall den Ein-AUS-schalter los, und beseitigen Sie die Ursachen der Überlastung, bevor Sie den Ein-AUS-schalter erneut betätigen, um die Maschine wieder einzuschalten.
- Wenn die Akku-Restkapazität niedrig wird:
Laden Sie den Akku auf.

Schalterfunktion (Abb. 3)

Drücken Sie zum Einschalten des Staubsaugers einfach die Taste „HIGH/LOW“. Zum Ausschalten drücken Sie die Taste „OFF“. Um die Drehzahl des Staubsaugers zu ändern, drücken Sie die Taste „HIGH/LOW“. Beim ersten Drücken dieser Taste erhalten Sie die hohe Drehzahl, beim zweiten die niedrige Drehzahl. Dann wird mit jedem weiteren Drücken dieser Taste der Zyklus hohe/niedrige Drehzahl abwechselnd wiederholt.

Akku-Warnleuchte (Abb. 4)

- Wenn die Akku-Restkapazität niedrig wird, blinkt die Akku-Warnleuchte.
- Wenn die Akku-Restkapazität erheblich niedriger wird, bleibt die Maschine während des Betriebs stehen, und die Akku-Warnleuchte leuchtet etwa zehn Sekunden lang auf. Nehmen Sie in diesem Fall den Akku von der Maschine ab, und laden Sie ihn auf.

HINWEIS:

- Der Zeitpunkt, zu dem die Akku-Warnleuchte zu blinken oder aufzuleuchten beginnt, hängt von der Temperatur am Arbeitsplatz und dem Zustand des Akkus ab.

MONTAGE

⚠ VORSICHT:

- Vergewissern Sie sich vor der Ausführung von Arbeiten an der Maschine stets, dass die Maschine ausgeschaltet und der Akku abgenommen ist.

Staubentleerung (Abb. 5, 6, 7, 8 und 9)

⚠ VORSICHT:

- Leeren Sie den Staubsauger, bevor er voll wird oder die Saugleistung nachlässt.
 - Entleeren Sie auch unbedingt den Staub im Staubsauger selbst. Durch Verschmutzung des Schwammfilters können Motorschäden verursacht werden.
 - Werfen Sie auf keinen Fall den Staubsackanschlag weg, weil er bei jedem Einsetzen des Staubsacks oder Papierbeutels benötigt wird.
1. Drücken Sie den Knopf, um die Frontabdeckung zu öffnen. Wird die Abdeckung geöffnet, bis ein Klicken hörbar ist, rastet sie an dieser Position ein.

HINWEIS:

- Der Staubsauger ist so konstruiert, dass sich die Frontabdeckung löst, wenn versucht wird, die Frontabdeckung weiter als 90° zu öffnen. Falls sich die Frontabdeckung löst, schieben Sie sie wieder auf das Frontabdeckungs-Anschlussstück.

⚠ VORSICHT:

- Achten Sie beim Schließen der Frontabdeckung darauf, dass Sie sich nicht die Finger klemmen.
2. Ziehen Sie den orangefarbenen Staubsackanschlag und den Staubsack gleichzeitig heraus.
 3. Entfernen Sie den Staubsackanschlag, und leeren Sie den Staubsauger.

Staubsack und Papierbeutel

Setzen Sie vor der Benutzung des Staubsaugers entweder den Staubsack oder einen Papierbeutel ein.

Verwenden Sie den Staubsackanschlag sowohl für den Staubsack als auch für den Papierbeutel.

Der Staubsack kann durch Entleeren viele Male wieder verwendet werden.

Der Papierbeutel ist ein Wegwerfartikel. Werfen Sie den ganzen Papierbeutel weg, ohne ihn zu entleeren, wenn er voll geworden ist.

Montieren des Staubsacks (Abb. 10, 11, 12, 13, 14, 15 und 16)

Verwenden Sie den Staubsackanschlag zum Einsetzen des Staubsacks. Achten Sie darauf, dass Sie nicht versehentlich die Oberseite mit der Unterseite verwechseln, weil sie unterschiedlich sind.

1. Führen Sie den Vorsprung des Staubsacks in die Führungsnut des Staubsackanschlags ein, wie in der Abbildung gezeigt.
2. Es gibt keinen Unterschied zwischen der Ober- und Unterseite des Staubsacks. Der Vorsprung beider Seiten kann in die untere Nut des Staubsackanschlags eingeführt werden.
3. Der Rahmen des Staubsackanschlags muss sich mit dem des Staubsacks decken.
4. Setzen Sie den Staubsack zusammen mit dem Staubsackanschlag in der Richtung des Pfeils auf dem Staubsackanschlag in die Staubsackkammer ein. Führen Sie die Teile vollständig in die Schlitzle der Staubsackkammer ein.
5. Bringen Sie den gesamten Stoffteil des Staubsacks im Gerät selbst unter.
6. Schließen Sie die Frontabdeckung vollständig.

Einsetzen des Papierbeutels (Abb. 17, 18, 19, 20, 21, 22 und 23)

1. Falten Sie den Einlass des Papierbeutels auf, bevor Sie ihn am Staubsackanschlag anbringen.

Verwenden Sie den Staubsackanschlag auch zum Einsetzen des Papierbeutels. Achten Sie darauf, dass Sie nicht versehentlich die Oberseite mit der Unterseite verwechseln, weil sie unterschiedlich sind.

2. Führen Sie den Vorsprung des Papierbeutels in die Führungsnut des Staubsackanschlags ein, wie in der Abbildung gezeigt.
3. Es gibt keinen Unterschied zwischen der Ober- und Unterseite des Papierbeutels. Der Vorsprung beider Seiten kann in die untere Nut des Staubsackanschlags eingeführt werden.
4. Der Rahmen des Staubsackanschlags muss sich mit dem des Papierbeutels decken.
5. Setzen Sie den Papierbeutel zusammen mit dem Staubsackanschlag in der Richtung des Pfeils auf dem Staubsackanschlag in die Staubsackkammer ein. Führen Sie die Teile vollständig in die Schlitzle der Staubsackkammer ein.

6. Bringen Sie den gesamten Beutelteil des Papierbeutels im Gerät selbst unter.
7. Schließen Sie die Frontabdeckung vollständig.

⚠ VORSICHT:

- Falls Sie keinen Staubsack oder Papierbeutel einsetzen, oder den Staubsackanschlag nicht zusammen mit dem Staubsack oder Papierbeutel vollständig in die Schlitzle einführen, oder einen beschädigten oder zerrissenen Sack oder Beutel benutzen, kann Staub in den Motor eindringen. Dies kann zu einem Ausfall des Motors führen.
- Unterlassen Sie Falten des Kartons an der Öffnung des Papierbeutels, wenn Sie diesen einsetzen.
- Werfen Sie auf keinen Fall den Staubsackanschlag weg, weil er zum Einsetzen des Staubsacks oder Papierbeutels wiederholt benutzt werden muss.
- Der Papierbeutel für den Staubsauger ist ein wichtiges Teil zur Aufrechterhaltung der Maschinenleistung. Wird ein anderer Beutel als der Original-Papierbeutel verwendet, kann es zu Rauchbildung oder Entzündung kommen.

BETRIEB

⚠ VORSICHT:

- Um Vorrichtungen, wie z. B. eine Bürste, anzuschließen, führen Sie die Vorrichtung unter gleichzeitigem Drehen in Pfeilrichtung ein, um einwandfreie Verbindung während des Gebrauchs zu gewährleisten. Um die Vorrichtung abzutrennen, ziehen Sie sie unter gleichzeitigem Drehen in Pfeilrichtung ab. **(Abb. 24)**

Reinigen (Saugen)

Bürste (Abb. 25)

Bringen Sie die Bürste an, um Tische, Pulte, Möbelstücke usw. abzusaugen. Die Bürste lässt sich leicht aufstecken.

Bürste + Verlängerungsrohr (Gerades Rohr) (Abb. 26)

Das Verlängerungsrohr wird zwischen Bürste und Staubsauger angebracht. Diese Anordnung ist praktisch, um den Fußboden im Stehen zu saugen.

Spitzdüse (Abb. 27)

Bringen Sie die Spitzdüse an, um die Ecken und Ritzen eines Autos oder Möbelstücks zu reinigen.

Spitzdüse + Verlängerungsrohr (Gerades Rohr) (Abb. 28)

Benutzen Sie diese Anordnung in engen Zwischenräumen, in die der Staubsauger selbst nicht hineinpasst, oder an schwer erreichbaren hohen Orten.

WARTUNG

⚠ VORSICHT:

- Denken Sie vor der Durchführung von Überprüfungen oder Wartungsarbeiten stets daran, der Maschine auszuschaftern.

Nach der Benutzung (Abb. 29)

Hängen Sie den Staubsauger zur Aufbewahrung mit der Handschlaufe an einen Nagel.

HINWEIS:

- Wird der Staubsauger ohne irgend eine Stütze gegen eine Wand gelehnt, kann er umkippen und beschädigt werden. **(Abb. 30)**

Reinigen (Abb. 31 und 32)

Wischen Sie die Außenseite (Gehäuse) des Staubsaugers von Zeit zu Zeit mit einem mit Seifenwasser getränkten Tuch ab. Reinigen Sie auch die Saugöffnung, den Staubsack/Papierbeutel-Montagebereich und den Staubsackanschlag.

⚠ VORSICHT:

- Verwenden Sie auf keinen Fall Benzin, Benzol, Verdünnern, Alkohol oder dergleichen. Solche Mittel können Verfärbung, Verformung oder Rissbildung verursachen.

Waschen Sie den Staubsack in Seifenwasser aus, wenn er mit Staub zugesetzt ist und die Saugleistung nachlässt. Lassen Sie ihn vor der Benutzung gründlich trocknen. Ein noch feuchter Staubsack kann schlechte Saugleistung verursachen und die Lebensdauer des Motors verkürzen.

HINWEIS:

- Der Papierbeutel ist ein Wegwerfartikel.

Wenn der Schwammfilter mit Staub zugesetzt ist, nehmen Sie ihn aus dem Staubsauger heraus, und wischen Sie ihn ab, oder waschen Sie ihn in Wasser aus.

Herausnehmen und Einsetzen des Schwammfilters (Abb. 33 und 34)

Entfernen Sie den Schwammfilter durch Zusammendrücken und Herausnehmen, nachdem Sie den Staubsack bzw. den Papierbeutel herausgenommen haben.

Drücken Sie die ganze Kante des Schwammfilters gegen die vertiefte Wand im Staubsack/Papierbeutel-Montagebereich.

⚠ VORSICHT:

- Denken Sie daran, den Schwammfilter nach dem Reinigen wieder in den Staubsauger einzusetzen. Wenn er in Wasser ausgewaschen wurde, lassen Sie ihn vor dem Einsetzen trocknen. Ein noch feuchter Schwammfilter kann die Lebensdauer des Motors verkürzen.

Prüfpunkte vor einer Reparaturanforderung

Symptom	Prüfbereich	Abhilfeverfahren
Schwache Saugkraft	<ul style="list-style-type: none">• Ist der Staubsack oder der Papierbeutel voll Staub?• Ist der Staubsack verstopft?• Ist der Papierbeutel verstopft?• Ist der Akku erschöpft?	<ul style="list-style-type: none">• Staubsack oder Papierbeutel leeren.• Den Staubsack abstauben oder waschen.• Den Papierbeutel austauschen.• Den Akku aufladen.
Gerät funktioniert nicht	<ul style="list-style-type: none">• Ist der Akku erschöpft?	<ul style="list-style-type: none">• Den Akku aufladen.

HINWEIS:

- Versuchen Sie nicht, den Staubsauger selbst zu reparieren.

Um die SICHERHEIT und ZUVERLÄSSIGKEIT dieses Produkts zu gewährleisten, sollten Reparaturen und andere Wartungs- oder Einstellarbeiten nur von autorisierten Makita-Kundendienstzentren unter ausschließlicher Verwendung von Makita-Originalersatzteilen ausgeführt werden.

ZUBEHÖR

VORSICHT:

- Die folgenden Zubehörteile oder Vorrichtungen werden für den Einsatz mit dem in dieser Anleitung beschriebenen Makita-Staubsauger empfohlen. Die Verwendung anderer Zubehörteile oder Vorrichtungen kann eine Verletzungsgefahr darstellen. Verwenden Sie Zubehörteile oder Vorrichtungen nur für ihren vorgesehenen Zweck.

Wenn Sie weitere Einzelheiten bezüglich dieser Zubehörteile benötigen, wenden Sie sich bitte an Ihre Makita-Kundendienststelle.

- Verlängerungsrohr (Gerades Rohr)
- Bürste
- Düse für Teppich
- Regalbürste
- Spitzdüse
- Rundbürste
- Flexibler Schlauch
- Papierbeutel
- Verschiedene Original-Makita-Akkus und -Ladegeräte

Visione generale

- | | | |
|------------------------------|---------------------------------|---------------------------|
| 1 Batteria | 9 Lato superiore fermo polvere | 17 Aspiratore |
| 2 Bottone | 10 Lato inferiore fermo polvere | 18 Prolunga |
| 3 Pulsante HIGH/LOW | 11 Scanalatura | 19 Accessorio per fessure |
| 4 Pulsante OFF | 12 Sacchetto polvere | 20 Filtro di spugna |
| 5 Spia della batteria | 13 Scanalatura inferiore | 21 Parete incavata |
| 6 Coperchio anteriore | 14 Cavità aspiratore | |
| 7 Giunto coperchio anteriore | 15 Pacco carta | |
| 8 Fermo polvere | 16 Bocchetta | |

DATI TECNICI

Modello		CL072D	CL102D
Capacità	con un sacchetto polvere	0,50 L	
	con un pacco carta	0,33 L	
Utilizzo continuo	HIGH	8 min. circa	13 min. circa
	LOW	16 min. circa	21 min. circa
Lunghezza totale		984 mm	
Peso netto		1,0 kg	1,1 kg
Tensione nominale		C.c. 7,2 V	C.c. 10,8 V

- Per il nostro programma di ricerca e sviluppo continui, i dati tecnici sono soggetti a modifiche senza preavviso.
- I dati tecnici e la cartuccia batteria potrebbero differire da paese a paese.
- Peso, con batteria, secondo la Procedura EPTA 01/2003

ENE017-1

Utilizzo prefissato

Questo utensile è progettato per la raccolta della polvere.

ENA005-3

IMPORTANTE

ISTRUZIONI PER LA SICUREZZA

Utilizzando un elettrodomestico bisogna sempre seguire le precauzioni di base, comprese quelle seguenti:

LEGGERE TUTTE LE ISTRUZIONI PRIMA DI USARE QUESTO ELETTRODOMESTICO.

ATTENZIONE – Per ridurre il rischio d'incendio, scosse elettriche o incidenti:

1. Non esporre questo elettrodomestico alla pioggia. Conservarlo in interni.
2. Non permettere che venga usato come giocattolo. È necessaria una stretta sorveglianza se viene usato da o vicino a bambini.
3. Usarlo soltanto come descritto in questo manuale. Usare soltanto gli accessori consigliati dal produttore.
4. Non usarlo con una batteria danneggiata. Se questo elettrodomestico non funziona come dovrebbe, se è caduto, è danneggiato, è rimasto all'aperto o è caduto in acqua, portarlo a un centro di assistenza ai clienti.

5. **Non maneggiare questo elettrodomestico con le mani bagnate.**
6. **Non inserire alcun oggetto nelle aperture. Non usarlo con una qualsiasi apertura bloccata. Mantenerlo esente da polvere, filacce, capelli e tutto ciò che potrebbe ridurre il flusso dell'aria.**
7. **Tenere i capelli, gli abiti ampi e tutte le parti del corpo lontani dalle aperture e dalle parti mobili.**
8. **Disattivare tutti i comandi prima di rimuovere la batteria.**
9. **Fare particolarmente attenzione durante la pulizia delle scale.**
10. **Questo elettrodomestico non deve essere usato per aspirare sostanze infiammabili o combustibili, come la benzina, o dove esse potrebbero essere presenti.**
11. **Per la ricarica, usare soltanto il caricatore fornito dal produttore.**
12. **Questo elettrodomestico non deve essere usato per aspirare oggetti che bruciano o fumanti, come le sigarette, i fiammiferi o le ceneri calde.**
13. **Non usarlo senza i filtri in posizione.**
14. **Non caricare la batteria all'aperto.**
15. **Questo utensile non deve essere usato da persone con ridotte capacità fisiche, sensoriali o mentali (compresi i bambini), o che non hanno esperienza o conoscenza, a meno che non siano sotto la guida o abbiano avuto le istruzioni sull'utilizzo da una persona responsabile per la loro sicurezza.**
16. **I bambini devono essere sorvegliati, per accertarsi che non giochino con l'elettrodomestico.**

CONSERVARE QUESTE ISTRUZIONI.

Questo elettrodomestico è progettato per l'utilizzo domestico.

REGOLE ADDIZIONALI PER LA SICUREZZA

1. Leggere attentamente questo manuale di istruzioni e il manuale di istruzioni del caricatore prima dell'uso.
2. Non raccogliere i materiali seguenti:
 - Materiali caldi, come le sigarette accese e/o scintille/polvere sprigionate dalla smerigliatura/taglio del metallo
 - Materiali infiammabili, come benzina, solventi, benzene, cherosene o vernici
 - Materiali esplosivi come nitroglicerina
 - Materiali infiammabili, come alluminio, zinco, magnesio, titanio, fosforo o celluloidi
 - Sporco bagnato, acqua, olio e simili
 - Pezzi duri con estremità affilate, come schegge di legno, metallo, pietra, vetro, chiodi, puntine o rasoi
 - Polveri da ostruire, come cemento o colorante
 - Polvere conduttiva, come quella di metallo o carbone
 - Particelle fini, come la polvere del cemento
 Tale azionamento potrebbe causare un incendio, lesioni e/o danni materiali.
3. Smettere immediatamente l'uso se si nota qualcosa di anormale.
4. Se si fa cadere o si sbatte l'aspiratore, controllare attentamente se ci sono crepe o danni prima di usarlo.
5. Non avvicinarlo a stufe o altre sorgenti di calore.
6. Non bloccare il foro di aspirazione o i fori di ventilazione.

CONSERVARE QUESTE ISTRUZIONI.

ENC007-6

ISTRUZIONI IMPORTANTI DI SICUREZZA

PER LA CARTUCCIA DELLA BATTERIA

1. Prima di usare la cartuccia della batteria, leggere tutte le istruzioni e le avvertenze sul (1) carica-batteria, sulla (2) batteria e sul (3) prodotto che utilizza la batteria.
2. Non smontare la cartuccia della batteria.
3. Se il tempo di utilizzo è diventato molto corto, smettere immediatamente di usare l'utensile. Può risultare un rischio di surriscaldamento, possibili ustioni e addirittura un'esplosione.
4. Se l'elettrolita va negli occhi, risciacquarli con acqua pulita e rivolgersi immediatamente ad un medico. Può risultare la perdita della vista.
5. Non cortocircuitare la cartuccia della batteria:
 - (1) Non toccare i terminali con qualche metallo conduttivo.
 - (2) Evitare di conservare la cartuccia della batteria in un contenitore con altri oggetti metallici come i chiodi, le monete, ecc.
 - (3) Non esporre la cartuccia della batteria all'acqua o alla pioggia.
 Un cortocircuito della batteria può causare un grande flusso di corrente, il surriscaldamento, possibili ustioni e addirittura un guasto.
6. Non conservare l'utensile e la cartuccia della batteria in luoghi in cui la temperatura può raggiungere o superare i 50°C.

7. Non incenerire la cartuccia della batteria anche se è gravemente danneggiata o è completamente esaurita. La cartuccia della batteria può esplodere e provocare un incendio.
8. Fare attenzione a non lasciar cadere o a colpire la batteria.
9. Non usare una batteria danneggiata.

CONSERVARE QUESTE ISTRUZIONI.

Suggerimenti per mantenere la durata massima della batteria

1. Caricare la cartuccia della batteria prima che si scarichi completamente. Smettere sempre di usare l'utensile e caricare la cartuccia della batteria quando si nota che la potenza dell'utensile è diminuita.
2. Non ricaricare mai una cartuccia della batteria completamente carica. La sovraccarica riduce la durata della batteria.
3. Caricare la cartuccia della batteria con la temperatura ambiente da 10°C a 40°C. Lasciar raffreddare una cartuccia della batteria calda prima di caricarla.

DESCRIZIONE FUNZIONALE

⚠ ATTENZIONE:

- Accertarsi sempre che l'utensile sia spento e che la batteria sia stata rimossa prima di regolare o di controllare il funzionamento dell'utensile.

Installazione o rimozione della batteria

Per Modello CL072D (Fig. 1)

Per Modello CL102D (Fig. 2)

- Spegnerne sempre l'utensile prima di inserire o di rimuovere la batteria.
- Per rimuovere la batteria, toglierla dall'utensile schiacciando i bottoni su entrambi i lati della batteria.
- Per inserire la batteria, tenerla in modo che la sua forma frontale possa entrare nell'apertura di installazione e spingerla in posizione. Inserirla sempre a fondo finché si blocca in posizione con un leggero scatto. In caso contrario, potrebbe accidentalmente cadere fuori dall'utensile causando un incidente all'operatore o a chi è vicino.
- Per inserire la batteria non bisogna usare forza. Se la batteria non entra facilmente, vuol dire che non viene inserita correttamente.

Sistema di protezione della batteria

Questo aspiratore è dotato di un sistema di protezione che interrompe automaticamente la corrente per garantirne la lunga vita di servizio.

L'aspiratore potrebbe arrestarsi durante il funzionamento se esso e/o la batteria vengono a trovarsi nella condizione seguente. Ciò è causato dall'attivazione del sistema di protezione e non denota un guasto dell'aspiratore.

- Se si verifica il sovraccarico dell'aspiratore:
A questo punto, rilasciare il grilletto dell'interruttore, eliminare le cause del sovraccarico e schiacciare poi di nuovo il grilletto dell'interruttore per riavviare l'utensile.
- Se la capacità restante della batteria diventa bassa:
Ricaricare la batteria.

Funzionamento dell'interruttore (Fig. 3)

Per avviare l'aspiratore, premere semplicemente il pulsante "HIGH/LOW". Per spegnerlo, premere il pulsante "OFF". Per cambiare la velocità dell'aspiratore, premere il pulsante "HIGH/LOW". La prima pressione di questo pulsante è per l'alta velocità, e la seconda pressione è per la bassa velocità, dopo di che ogni pressione successiva del pulsante ripete alternativamente il ciclo di alta/bassa velocità.

Spia della batteria (Fig. 4)

- Quando la capacità restante della batteria diventa bassa, la spia della batteria lampeggia.
- Quando la capacità restante della batteria diventa molto bassa, l'utensile si arresta durante il funzionamento e la spia della batteria si accende per dieci secondi circa. A questo punto, rimuovere la batteria dall'utensile e caricarla.

NOTA:

- Il momento in cui la spia della batteria comincia a lampeggiare o si accende dipende dalla temperatura del luogo del lavoro e dalle condizioni della batteria.

MONTAGGIO

⚠ ATTENZIONE:

- Accertarsi sempre che l'utensile sia spento e che la batteria sia stata rimossa prima di qualsiasi intervento sull'utensile.

Smaltimento della polvere (Fig. 5, 6, 7, 8 e 9)

⚠ ATTENZIONE:

- Svuotare l'aspiratore prima che diventi troppo pieno, perché altrimenti la forza di aspirazione si riduce.
 - Svuotare l'aspiratore della polvere all'interno. Se non si fa ciò, il filtro di spugna potrebbe intasarsi danneggiando il motore.
 - Non si deve mai gettar via il fermo polvere, perché deve essere usato ogni volta che si usa il sacchetto polvere o il pacco carta.
1. Spingere il bottone per aprire il coperchio anteriore. La sua apertura finché si sente uno scatto permette un arresto positivo su quella posizione.

NOTA:

- L'aspiratore è costruito in modo che il coperchio anteriore si stacca quando si cerca di aprirlo con forza a un angolo di oltre 90°. Se il coperchio anteriore si stacca, inserirlo in posizione nel giunto coperchio anteriore.

⚠ ATTENZIONE:

- Quando si chiude il coperchio anteriore, fare attenzione che le dita non rimangano incastrate.
2. Tirar fuori insieme allo stesso tempo entrambi il fermo polvere arancione e il sacchetto polvere.
 3. Rimuovere il fermo polvere e svuotare l'aspiratore.

Sacchetto polvere e pacco carta

Installare il sacchetto polvere o il pacco carta prima di usare l'aspiratore.

Usare il fermo polvere quando si installa il sacchetto polvere o il pacco carta.

Il sacchetto polvere può essere usato ripetutamente molte volte pulendolo.

Il pacco carta è del tipo a perdere. Gettar via l'intero pacco carta senza svuotarlo quando diventa pieno.

Installazione del sacchetto polvere (Fig. 10, 11, 12, 13, 14, 15 e 16)

Usare il fermo polvere quando si installa il sacchetto polvere. Fare attenzione a non confondere per sbaglio il lato superiore con il lato inferiore, perché sono diversi l'uno dall'altro.

1. Inserire la sporgenza del sacchetto polvere nella scanalatura del fermo polvere, come mostrato nella illustrazione.
2. Non c'è differenza tra il lato superiore e il lato inferiore del sacchetto polvere. Nella scanalatura inferiore del fermo polvere si può inserire la sua sporgenza di qualsiasi lato.
3. Sovrapporre il telaio del fermo polvere a quello del sacchetto polvere.
4. Sistemare insieme il fermo polvere e il sacchetto polvere nella cavità dell'aspiratore, nella stessa direzione della freccia sul fermo polvere. Inserirli completamente nelle tacche nella cavità dell'aspiratore.
5. Sistemare l'intera parte di stoffa del sacchetto polvere dentro l'aspiratore.
6. Chiudere completamente il coperchio anteriore.

Installazione del pacco carta (Fig. 17, 18, 19, 20, 21, 22 e 23)

1. Spiegare l'apertura del pacco carta prima di sistemarlo sul fermo polvere.

Usare il fermo polvere anche quando si installa il sacchetto polvere. Fare attenzione a non confondere per sbaglio il lato superiore con il lato inferiore, perché sono diversi l'uno dall'altro.

2. Inserire la sporgenza del pacco carta nella scanalatura del fermo polvere, come mostrato nella illustrazione.
3. Non c'è differenza tra il lato superiore e il lato inferiore del pacco carta. Nella scanalatura inferiore del fermo polvere si può inserire la sua sporgenza di qualsiasi lato.
4. Sovrapporre il telaio del fermo polvere a quello del pacco carta.
5. Sistemare insieme il fermo polvere e il pacco carta nella cavità dell'aspiratore, nella stessa direzione della freccia sul fermo polvere. Inserirli completamente nelle tacche nella cavità dell'aspiratore.
6. Sistemare l'intera parte del contenitore del pacco carta dentro la cavità dell'aspiratore.
7. Chiudere completamente il coperchio anteriore.

⚠ ATTENZIONE:

- Se ci si dimentica di installare il sacchetto polvere o il pacco carta, se non si inserisce completamente nelle tacche il fermo polvere insieme con il sacchetto polvere o il pacco carta, o si usa un sacchetto rotto o lacerato, la polvere potrebbe entrare nel motore. Ciò potrebbe causare un guasto del motore.
- Non piegare il cartone sulla sua apertura quando si installa il pacco carta.
- Non si deve mai gettar via il fermo polvere, perché deve essere usato ogni volta che si usa il sacchetto polvere o il pacco carta.
- Il pacco carta per l'aspiratore è un componente importante per il mantenimento delle prestazioni dell'utensile. L'utilizzo di pacchi carta diversi da quelli genuini potrebbe causare fumo o un incendio.

OPERAZIONI

⚠ ATTENZIONE:

- Per collegare o scollegare gli accessori, come la bocchetta, ruotare e inserire l'accessorio nella direzione della freccia in modo da assicurare che sia attaccato saldamente durante l'uso. (Fig. 24)

Pulizia (Aspirazione)

Bocchetta (Fig. 25)

Attaccare la bocchetta per pulire i tavoli, le scrivanie, i mobili, ecc. La bocchetta si attacca facilmente.

Bocchetta + Prolunga (tubo diritto) (Fig. 26)

La prolunga va montata tra la bocchetta e l'aspiratore stesso. Questa disposizione è comoda per pulire il pavimento stando eretti.

Accessorio per fessure (Fig. 27)

Montare l'accessorio per fessure per la pulizia degli angoli e delle fessure di un'automobile o mobile.

Accessorio per fessure + Prolunga (tubo diritto) (Fig. 28)

Usare questa disposizione per la pulizia dei posti dove la bocchetta non può entrare, o di quelli alti difficili da raggiungere.

MANUTENZIONE

⚠ ATTENZIONE:

- Accertarsi sempre che l'utensile sia spento prima di procedere all'ispezione o alla manutenzione.

Dopo l'uso (Fig. 29)

Per riporre l'aspiratore, appenderlo a un chiodo usando il cinturino.

NOTA:

- Se si appoggia l'aspiratore alla parete senza alcun altro supporto, esso potrebbe cadere danneggiandosi. (Fig. 30)

Pulizia (Fig. 31 e 32)

Pulire ogni tanto l'esterno (corpo aspiratore) usando un panno bagnato con acqua e sapone. Pulire anche l'apertura di aspirazione, l'area di montaggio del sacchetto polvere/pacco carta e il fermo polvere.

⚠ ATTENZIONE:

- Mai usare benzina, benzene, solventi, alcol e altre sostanze simili. Potrebbero causare scolorimenti, deformazioni o crepe.

Lavare il sacchetto polvere in acqua saponata quando è intasato di polvere e la potenza dell'aspiratore si riduce. Asciugarlo completamente prima di usarlo di nuovo. Se il sacchetto polvere non è sufficientemente asciutto, potrebbe causare una aspirazione scarsa e ridurre la vita di servizio del motore.

NOTA:

- Il pacco carta è del tipo a perdere.

Quando il filtro di spugna è intasato di polvere, rimuoverlo dall'aspiratore e poi pulirlo o lavarlo in acqua.

Rimozione e installazione del filtro di spugna (Fig. 33 e 34)

Per rimuovere il filtro di spugna, rimuovere il sacchetto polvere o il pacco carta e poi afferrarlo con due dita e tirarlo fuori.

Premere dentro l'intero bordo del filtro di spugna contro la parete incavata all'interno dell'area di montaggio del sacchetto polvere/pacco carta.

⚠ ATTENZIONE:

- Dopo aver pulito il filtro di spugna, ricordarsi di installarlo nell'aspiratore. Se lo si lava in acqua, asciugarlo prima di usarlo di nuovo. Se il filtro di spugna non è sufficientemente asciutto, potrebbe ridurre la vita di servizio del motore.

Cosa controllare prima di chiamare il tecnico per la riparazione

Sintomo	Area da controllare	Metodo di correzione del problema
Forza di aspirazione debole	<ul style="list-style-type: none">• Il sacchetto polvere o il pacco carta è pieno di polvere?• Il sacchetto polvere è intasato?• Il pacco carta è intasato?• La batteria è scarica?	<ul style="list-style-type: none">• Svuotare il sacchetto polvere o il pacco carta.• Spolverare o lavare il sacchetto polvere.• Sostituire il pacco carta.• Caricare la batteria.
L'aspiratore non funziona	<ul style="list-style-type: none">• La batteria è scarica?	<ul style="list-style-type: none">• Caricare la batteria.

NOTA:

- Non si deve cercare di riparare l'aspiratore da soli.

Per preservare la SICUREZZA e l'AFFIDABILITÀ del prodotto, le riparazioni, la manutenzione o la regolazione devono essere eseguite da un Centro Assistenza Makita autorizzato usando sempre ricambi Makita.

ACCESSORI

ATTENZIONE:

- Questi accessori o raccordi sono consigliati per l'utilizzo con l'aspiratore Makita specificato in questo manuale. L'impiego di altri accessori o attrezzi può costituire un rischio di lesioni alle persone. Usare gli accessori o raccordi soltanto per il loro scopo prefissato.

Per maggiori dettagli riguardo a questi accessori, rivolgersi al Centro di Assistenza Makita locale.

- Prolunga (tubo diritto)
- Bocchetta
- Bocchetta per tappeti
- Spazzola per scaffali
- Accessorio per fessure
- Spazzola rotonda
- Manicotto flessibile
- Pacco carta
- Vari tipi di batterie e caricabatterie autentichi Makita

Verklaring van algemene gegevens

1 Accu	8 Stofdeksel	15 Papieren pak
2 Knop	9 Bovenkant van het stofdeksel	16 Mondstuk
3 "HIGH/LOW"-knop	10 Onderkant van het stofdeksel	17 Stofzuiger
4 "OFF"-knop	11 Groef	18 Verlengbuis
5 Accuspanningslampje	12 Stofzak	19 Hoekmondstuk
6 Voorkap	13 Onderste groef	20 Sponsfilter
7 Scharnierpunt voorkap	14 Holte van de stofzuiger	21 Achterwand van de holte

TECHNISCHE GEGEVENS

Model		CL072D	CL102D
Inhoud	met stofzak	0,50 L	
	met papieren pak	0,33 L	
Ononderbroken gebruik	HIGH	Ong. 8 min.	Ong. 13 min.
	LOW	Ong. 16 min.	Ong. 21 min.
Totale lengte		984 mm	
Netto gewicht		1,0 kg	1,1 kg
Nominale spanning		7,2 V gelijkstroom	10,8 V gelijkstroom

- In verband met ononderbroken research en ontwikkeling behouden wij ons het recht voor bovenstaande technische gegevens te wijzigen zonder voorafgaande kennisgeving.
- De technische gegevens de accu kunnen van land tot land verschillen.
- Gewicht, inclusief accu, volgens de EPTA-procedure 01/2003

ENE017-1

Gebruiksdoeleinden

Het gereedschap is bedoeld om droog stof te verzamelen.

ENA005-3

BELANGRIJK

VEILIGHEIDSIINSTRUCTIES

Bij het gebruik van een elektrisch apparaat, moeten basisvoorzorgsmaatregelen altijd worden genomen, waaronder de volgende:

LEES ALLE INSTRUCTIES ALVORENS DIT APPARAAT TE GEBRUIKEN.

WAARSCHUWING – Om de kans op brand of een elektrische schok te verkleinen:

1. Stel niet bloot aan regen. Bewaar binnenshuis.
2. Sta niet toe dat ermee gespeeld wordt. Let goed op bij gebruik in de buurt van kinderen.
3. Gebruik uitsluitend zoals beschreven in deze gebruiksaanwijzing. Gebruik uitsluitend hulpstukken aanbevolen door de fabrikant.
4. Gebruik nooit met een beschadigde accu. Als het apparaat niet werkt zoals het zou moeten werken, is gevallen, is beschadigd buiten heeft gelegen of in het water is gevallen, stuurt u het terug naar een servicecentrum.
5. Hanteer het apparaat niet met natte handen.

6. **Steek geen voorwerpen in de openingen. Gebruik het apparaat niet wanneer een opening verstopt zit, houd het apparaat vrij van stof, pluizen, haar en alles wat de luchtdoorstroming kan hinderen.**
7. **Houd haar, loshangende kleding, vingers en alle lichaamsdelen uit de buurt van de openingen en bewegende delen.**
8. **Schakel alle knoppen uit alvorens de accu eraf te halen.**
9. **Wees extra voorzichtig bij gebruik op een trap.**
10. **Zuig geen ontvlambare of brandbare vloeistoffen, zoals benzine, op en gebruik het niet op plaatsen waar deze aanwezig kunnen zijn.**
11. **Gebruik voor het opladen uitsluitend de acculader die door de fabrikant werd geleverd.**
12. **Zuig niets op dat brandt of rookt, zoals sigaretten, lucifers of hete as.**
13. **Gebruik het apparaat niet zonder dat de filters zijn aangebracht.**
14. **Laad de accu niet buitenshuis op.**
15. **Dit apparaat is niet geschikt voor gebruik door personen (waaronder kinderen) met een verminderd lichamelijk, zintuiglijk of geestelijk vermogen, of gebrek aan kennis en ervaring, behalve indien zij instructies hebben gehad en onder toezicht staan van een persoon die verantwoordelijk is voor hun veiligheid.**
16. **Kinderen dienen ten alle tijde onder toezicht te staan zodat ze niet met het apparaat spelen.**

BEWAAR DEZE VOORSCHRIFTEN.

Dit apparaat is bedoeld voor huishoudelijk gebruik.

AANVULLENDE VEILIGHEIDSVORSCHRIFTEN

1. Lees deze gebruiksaanwijzing en die van de acculader voor gebruik aandachtig door.
2. Zuig de volgende stoffen niet op:
 - Hete stoffen, zoals brandende sigaretten of gloeiend hete metaaldeeltjes veroorzakt door het schuren/slijpen van metaal
 - Brandbare stoffen, zoals benzine, thinner, wasbenzine, kerosine of verf
 - Explosieve stoffen, zoals nitroglycerine
 - Ontvlambare stoffen, zoals aluminium, zink, magnesium, titanium, fosfor of celluloid
 - Nat vuil, water, olie en dergelijk
 - Harde stukjes met scherpe randen, zoals houtsnippers, metaaldeeltjes, steentjes, glasstukjes, spijkers, punaises of scheermesjes
 - Poeder dat klontert, zoals cement of toner
 - Geleidend stof, zoals metaalvizel of koolstofpoeder
 - Zeer fijn stof, zoals cementpoeder

Een dergelijk gebruik kan leiden tot brand, persoonlijk letsel en/of materiële schade.
3. Stop onmiddellijk met het gebruik als u iets abnormaals opmerkt.
4. Als u de stofzuiger laat vallen of ergens tegenaan stoot, controleert u zorgvuldig op barsten of beschadigingen voordat u deze weer gebruikt.
5. Houd uit de buurt van fornuizen en verwarmingsbronnen.
6. Blokkeer de inlaatopening en de ventilatieopeningen niet.

BEWAAR DEZE VOORSCHRIFTEN.

BELANGRIJKE VEILIGHEIDSVORSCHRIFTEN

VOOR ACCU

1. Lees alle voorschriften en waarschuwingen op (1) de acculader, (2) de accu, en (3) het product waarvoor de accu wordt gebruikt, aandachtig door alvorens de acculader in gebruik te nemen.
2. Neem de accu niet uit elkaar.
3. Als de gebruikstijd van een opgeladen accu aanzienlijk korter is geworden, moet u het gebruik ervan onmiddellijk stopzetten. Voortgezet gebruik kan oververhitting, brandwonden en zelfs een ontploffing veroorzaken.
4. Als er elektrolyt in uw ogen is terechtgekomen, spoel dan uw ogen met schoon water en roep onmiddellijk de hulp van een dokter in. Elektrolyt in de ogen kan blindheid veroorzaken.
5. Voorkom kortsluiting van de accu:
 - (1) Raak de accuklemmen nooit aan met een geleidend materiaal.
 - (2) Bewaar de accu niet in een bak waarin andere metalen voorwerpen zoals spijkers, munten e.d. worden bewaard.
 - (3) Stel de accu niet bloot aan water of regen.

Kortsluiting van de accu kan oorzaak zijn van een grote stroomafgifte, oververhitting, brandwonden, en zelfs defecten.

6. Bewaar het gereedschap en de accu niet op plaatsen waar de temperatuur kan oplopen tot 50°C of hoger.
7. Werp de accu nooit in het vuur, ook niet wanneer hij zwaar beschadigd of volledig versleten is. De accu kan namelijk ontploffen in het vuur.
8. Wees voorzichtig dat u de accu niet laat vallen en hem niet blootstelt aan schokken of stoten.
9. Gebruik nooit een beschadigde accu.

BEWAAR DEZE VOORSCHRIFTEN.

Tips voor een maximale levensduur van de accu

1. Laad de accu op voordat hij volledig ontladen is. Stop het gebruik van het gereedschap en laad de accu op telkens wanneer u vaststelt dat het vermogen van het gereedschap is afgenomen.
2. Laad een volledig opgeladen accu nooit opnieuw op. Als u de accu te veel oplaadt, zal hij minder lang meegaan.
3. Laad de accu op bij een kamertemperatuur tussen 10°C en 40°C. Laat een warme accu afkoelen alvorens hem op te laden.

BESCHRIJVING VAN DE FUNCTIES

⚠ LET OP:

- Zorg altijd dat het gereedschap is uitgeschakeld en de accu ervan is verwijderd alvorens de functies op het gereedschap af te stellen of te controleren.

Installeren of verwijderen van de accu

Voor het model CL072D (Fig. 1)

Voor het model CL102D (Fig. 2)

- Schakel het gereedschap altijd uit alvorens de accu te installeren of te verwijderen.
- Om de accu te verwijderen, neemt u deze uit het gereedschap terwijl u de knoppen aan beide zijden van de accu indrukt.
- Om de accu aan te brengen, houdt u deze zo vast dat de voorkant van de accu past in de accu-installatieopening op de stofzuiger, en duwt u de accu op zijn plaats. Duw de accu altijd helemaal erop tot deze op zijn plaats wordt vergrendeld met een kleine klik. Als u dit niet doet, kan de accu tijdens gebruik van het gereedschap eraf vallen en letsel veroorzaken bij u of een omstander.
- Probeer nooit om de accu met geweld erin te duwen. Als de accu er niet gemakkelijk ingaat, betekent dit dat u hem niet op de juiste wijze erin steekt.

Accubeveiligingssysteem

De stofzuiger is voorzien van een beveiligingssysteem dat automatisch het uitgangsvermogen onderbreekt voor een langere levensduur.

De stofzuiger kan tijdens het gebruik stoppen wanneer het gereedschap en/of de accu zich in de volgende situatie bevinden. Dit wordt veroorzaakt door de inwerkingtreding van het beveiligingssysteem en duidt niet op een defect van de stofzuiger.

- Bij overbelasting van de stofzuiger:

Laat de trekschakelaar los en verwijdert u de oorzaak van de overbelasting. Vervolgens trekt u opnieuw aan de trekschakelaar om weer te starten.

- Als de resterende acculading laag is:
Laad de accu opnieuw op.

Werking van de trekschakelaar (Fig. 3)

Om de stofzuiger te starten, drukt u gewoon op de "HIGH/LOW"-knop. Om de stofzuiger uit te schakelen, drukt u op de "OFF"-knop. Om het toerental van de stofzuiger te veranderen, drukt u op de "HIGH/LOW"-knop. Bij de eerste keer drukken op deze knop wordt het hoge toerental ingeschakeld, en bij de tweede keer drukken wordt het lage toerental ingeschakeld. Bij iedere verdere druk op deze knop wordt de hoog/laag-cyclus beurtelings herhaald.

Accuspanningslampje (Fig. 4)

- Wanneer de accu begint leeg te raken, gaat het accuspanningslampje knipperen.
- Wanneer de accu bijna helemaal leeg is, stopt de stofzuiger en blijft het accuspanningslampje ongeveer tien seconden lang branden. Dan verwijderd u de accu uit de stofzuiger en laadt u de accu opnieuw op.

OPMERKING:

- Na hoeveel tijd het accuspanningslampje gaat knipperen of blijft branden hangt af van de temperatuur in uw werkomgeving en de toestand van de accu.

INEENZETTEN

LET OP:

- Controleer altijd of het gereedschap is uitgeschakeld en de accu ervan is verwijderd alvorens enig werk aan het gereedschap uit te voeren.

Het stof weggooiën (Fig. 5, 6, 7, 8 en 9)

LET OP:

- Leeg de stofzuiger voordat deze te vol raakt omdat dan de zuigkracht afneemt.
 - Vergeet niet het stof in de stofzuiger zelf weg te gooien. Als u dit niet doet, kan het sponsfilter verstopt raken of de motor beschadigd raken.
 - Gooi het stofdeksel nooit weg, want u zult het telkens nodig hebben wanneer u gebruik maakt van de stofzak of het papieren pak.
1. Druk de ontgrendelknop in om de voorkap te openen. Trek de voorkap open totdat u een klik hoort, dan blijft de kap in open stand staan.

OPMERKING:

- De stofzuiger is zo gebouwd dat de voorkap loskomt wanneer u die verder probeert te openen dan 90°. Als de voorkap losraakt, kunt u die gewoon weer in het scharnierpunt vast steken.

LET OP:

- Pas bij het sluiten van de voorkap goed op dat u zich de vingers niet knelt.
2. Trek het oranje stofdeksel en de stofzak er allebei tegelijk uit.
 3. Verwijder het stofdeksel en leeg de stofzuiger.

Stofzak en papieren pak

Breng naar keuze de stofzak of een papieren pak aan voordat u de stofzuiger in gebruik neemt.

Gebruik in elk geval het stofdeksel, zowel met de stofzak als met een papieren pak.

De stofzak is meestal te gebruiken door deze tussentijds te reinigen.

Het papieren pak is een eenmalig weggooi-pak. Wanneer het papieren pak vol is, gooit u het in zijn geheel weg, zonder het te legen.

Aanbrengen van de stofzak (Fig. 10, 11, 12, 13, 14, 15 en 16)

Gebruik het stofdeksel wanneer u de stofzak aanbrengt. Let op dat u de bovenkant en de onderkant niet verwisselt, want die zijn verschillend.

1. Steek de uitstekende nok van de stofzak in de groef van het stofdeksel, zoals getoond in de afbeelding.
2. Er is geen verschil tussen de boven- en onderkant van de stofzak. Het maakt niet uit welk van de twee nokken u in de onderste groef van het stofdeksel steekt.
3. Zorg dat de rand van het stofdeksel overal goed om de rand van de stofzak sluit.
4. Plaats de stofzak samen met het stofdeksel in de holte van de stofzuiger, in de richting van de pijlen op het stofdeksel. Schuif ze helemaal in de gleuven in de holte van de stofzuiger.
5. Zorg dat het stoffen gedeelte van de stofzak helemaal in de holte van de stofzuiger past.
6. Druk de voorkap stevig dicht.

Aanbrengen van het papieren pak (Fig. 17, 18, 19, 20, 21, 22 en 23)

1. Vouw het inlaatdeel van het papieren pak open voordat u het aanbrengt op het stofdeksel.

Gebruik het stofdeksel ook wanneer u gebruik maakt van een papieren pak. Let op dat u de bovenkant en de onderkant niet verwisselt, want die zijn verschillend.

2. Steek de uitstekende nok van het papieren pak in de groef van het stofdeksel, zoals getoond in de afbeelding.
3. Er is geen verschil tussen de boven- en onderkant van het papieren pak. Het maakt niet uit welk van de twee nokken u in de onderste groef van het stofdeksel steekt.
4. Zorg dat de rand van het stofdeksel overal goed om de rand van het papieren pak sluit.
5. Plaats het papieren pak samen met het stofdeksel in de holte van de stofzuiger, in de richting van de pijlen op het stofdeksel. Schuif ze helemaal in de gleuven in de holte van de stofzuiger.
6. Zorg dat het papieren pak helemaal in de holte van de stofzuiger past.
7. Druk de voorkap stevig dicht.

LET OP:

- Als u nalaat een stofzak of papieren pak te plaatsen, of het stofdeksel samen daarmee helemaal in de gleuven van de holte te schuiven, of als er scheuren of gaten in de stofzak of het papieren pak zitten, kan er stof in de motor van de stofzuiger komen. Daardoor zou de motor defect kunnen raken.
- Pas op dat u de inlaatopening van het papieren pak niet opgevouwen laat wanneer u het aanbrengt.
- Gooi het stofdeksel nooit weg, want u zult het telkens nodig hebben wanneer u een stofzak of een papieren pak in de stofzuiger aanbrengt.
- Voor de juiste werking mag u uitsluitend een papieren pak gebruiken dat speciaal voor deze stofzuiger is ontworpen. Gebruik van enig ander soort papieren pak kan rookontwikkeling en brandgevaar veroorzaken.

BEDIENING

LET OP:

- Om een accessoire, zoals een mondstuk, aan te brengen, steekt u de accessoire in de zuigmond en verdraait u deze in de richting van de pijl om zeker te zijn van een stevige verbinding tijdens gebruik. Om de accessoire eraf te halen, verdraait u deze nogmaals in de richting van de pijl en trekt u de accessoire eraf. (Fig. 24)

Schoonmaken (zuigen)

Mondstuk (Fig. 25)

Bevestig het mondstuk voor het schoonmaken van tafels, bureaus, meubels, enz. Het mondstuk kan eenvoudig op de stofzuiger worden geplaatst.

Mondstuk + verlengbuis (rechte buis) (Fig. 26)

De verlengbuis past tussen het mondstuk en de stofzuigermond. Deze werkwijze is handig bij het schoonmaken van de grond terwijl u rechtop staat.

Hoekmondstuk (Fig. 27)

Bevestig het hoekmondstuk voor het schoonmaken van hoeken en spleten van meubels of in auto's.

Hoekmondstuk + verlengbuis (rechte buis) (Fig. 28)

In kleine ruimten waar de stofzuiger zelf niet in past, of op hoge plaatsen die moeilijk te bereiken zijn, gebruikt u deze werkwijze.

ONDERHOUD

LET OP:

- Zorg er altijd voor dat het gereedschap is uitgeschakeld voordat u een inspectie of onderhoud uitvoert.

Na gebruik (Fig. 29)

De stofzuiger is handig op te bergen door deze met het riempje aan een haak te hangen.

OPMERKING:

- Als u de stofzuiger los tegen een wand aan laat leunen, kan het apparaat gemakkelijk omvallen en beschadigd raken. (Fig. 30)

Schoonmaken (Fig. 31 en 32)

Veeg regelmatig de buitenkant (behuizing) van de stofzuiger schoon met een in zeepwater bevochtigde doek. Reinig ook de zuigmond, de holte voor de stofzak/het papieren pak en het stofdeksel zorgvuldig.

LET OP:

- Gebruik nooit benzine, wasbenzine, thinner, alcohol en dergelijke. Hierdoor het verkleuring, vervormingen en barsten worden veroorzaakt.

Wanneer de stofzak zodanig verstopt raakt door fijn stof dat de zuigkracht afneemt, kunt u de stofzak uitwassen in gewoon zeepsop. Laat de stofzak daarna voor gebruik eerst grondig drogen. Als de stofzak bij gebruik niet goed droog is, kan dat de zuigkracht verminderen en de levensduur van de motor aantasten.

OPMERKING:

- Het papieren weggoopak is voor eenmalig gebruik.

Wanneer het sponsfilter door stof verstopt is geraakt, verwijdert u het uit de stofzuiger en veegt u het schoon of wast u het uit in schoon water.

Verwijderen en weer aanbrengen van het sponsfilter (Fig. 33 en 34)

Om het sponsfilter te verwijderen, neemt u eerst de stofzak of het papieren pak uit de holte, dan knijpt u het sponsfilter samen en trekt u het voorzichtig los.

Druk de gehele rand van het sponsfilter vast tegen de achterwand van de holte waarin u later de stofzak/het papieren pak aanbrengt.

LET OP:

- Na het reinigen van het sponsfilter mag u niet vergeten het weer in de stofzuiger aan te brengen. Als u het met water hebt gewassen, laat u het dan voor gebruik eerst grondig drogen. Als het sponsfilter niet goed droog is, kan dat de levensduur van de motor aantasten.

Controleer de onderstaande punten alvorens te laten repareren

Symptoom	Mogelijke oorzaak	Mogelijke oplossing
Geringe zuigkracht	<ul style="list-style-type: none">• Zit de stofzak of het papieren pak vol stof?• Is de stofzak verstopt geraakt?• Is het papieren pak verstopt geraakt?• Is de accu leeg?	<ul style="list-style-type: none">• Leeg de stofzak of het papieren pak.• Maak de stofzak schoon of was die uit.• Vervang het papieren pak.• Laad de accu opnieuw op.
Apparaat werkt niet	<ul style="list-style-type: none">• Is de accu leeg?	<ul style="list-style-type: none">• Laad de accu opnieuw op.

OPMERKING:

- Probeer de stofzuiger niet zelf te repareren.

Om de VEILIGHEID en BETROUWBAARHEID van het product te handhaven, dienen alle reparaties en alle andere onderhoudswerkzaamheden of afstellingen te worden uitgevoerd door een erkend Makita Servicecentrum, en dat uitsluitend met gebruik van Makita vervangingsonderdelen.

ACCESSOIRES

LET OP:

- Deze accessoires of hulpstukken worden aanbevolen voor gebruik met de Makita-stofzuiger die in deze gebruiksaanwijzing wordt beschreven. Bij gebruik van andere accessoires of hulpstukken bestaat er gevaar voor persoonlijke verwonding. Gebruik de accessoires of hulpstukken uitsluitend voor hun bestemde doel.

Mocht u meer informatie willen hebben over deze accessoires, dan kunt u contact opnemen met uw plaatselijke Makita-servicecentrum.

- Verlengbuis (rechte buis)
- Mondstuk
- Mondstuk voor tapijt
- Boekenplankborstel
- Hoekmondstuk
- Ronde borstel
- Flexibele slang
- Papieren pak
- Verschillende types originele Makita accu's en acculaders

Explicación de los dibujos

- | | | |
|------------------------------------|-------------------------------------|---------------------------|
| 1 Cartucho de batería | 8 Tapón de polvo | 15 Paquete de papel |
| 2 Botón | 9 Lado superior del tapón de polvo | 16 Boquilla |
| 3 Botón HIGH/LOW | 10 Lado inferior del tapón de polvo | 17 Aspirador |
| 4 Botón OFF | 11 Ranura | 18 Tubo de extensión |
| 5 Lámpara de energía de la batería | 12 Bolsa de polvo | 19 Boquilla para esquinas |
| 6 Cubierta frontal | 13 Ranura inferior | 20 Filtro de esponja |
| 7 Junta de la cubierta frontal | 14 Cavidad del aspirador | 21 Pared rebajada |

ESPECIFICACIONES

Modelo		CL072D	CL102D
Capacidad	con bolsa de polvo	0,50 L	
	con paquete de papel	0,33 L	
Utilización continua	HIGH	Aprox. 8 min.	Aprox. 13 min.
	LOW	Aprox. 16 min.	Aprox. 21 min.
Longitud total		984 mm	
Peso neto		1,0 kg	1,1 kg
Tensión nominal		CC 7,2 V	CC 10,8 V

- Debido a un programa continuo de investigación y desarrollo, las especificaciones aquí dadas están sujetas a cambios sin previo aviso.
- Las especificaciones y el cartucho de batería pueden diferir de país a país.
- Peso, con el cartucho de batería, de acuerdo con el procedimiento EPTA 01/2003

ENE017-1

Uso previsto

La herramienta ha sido prevista para recoger polvo seco.

ENA005-3

IMPORTANTE

INSTRUCCIONES DE SEGURIDAD

Quando se utiliza un aparato eléctrico, siempre se deben tomar precauciones básicas, incluidas las siguientes:

LEA TODAS LAS INSTRUCCIONES ANTES DE UTILIZAR EL APARATO.

ADVERTENCIA – Para reducir el riesgo de sufrir un incendio, una descarga eléctrica o heridas:

1. No exponga el aparato a la lluvia. Almacene el aparato en interiores.
2. No permita que el aparato sea utilizado como juguete. Es necesario prestar mucha atención cuando el aparato es utilizado cerca de niños.
3. Utilice el aparato solamente de la forma descrita en este manual. Utilice solamente los accesorios recomendados por el fabricante.
4. No utilice el aparato con una batería dañada. Si el aparato no está funcionando como es debido, si se ha dejado caer, se ha dañado, se ha dejado en exteriores, o se ha caído al agua, llévelo a un centro de servicio.
5. No maneje el aparato con las manos mojadas.

6. No ponga ningún objeto dentro de las aberturas. No utilice el aparato con ninguna de sus aberturas bloqueada; manténgalo libre de polvo, hilachas, pelo, y cualquier cosa que pueda reducir la circulación del aire.
7. Mantenga el pelo, ropa holgada, dedos, y todas las partes del cuerpo alejadas de las aberturas y partes en movimiento.
8. Desactive todos los controles antes de extraer la batería.
9. Utilice cuidado especial cuando limpie en escaleras.
10. No utilice el aparato para recoger líquidos inflamables o combustibles, tal como gasolina, ni en áreas donde pueda haber tales líquidos.
11. Utilice solamente el cargador suministrado por el fabricante para recargar.
12. No recoja nada que esté quemándose o echando humo, tal como cigarrillos, cerillas, o cenizas calientes.
13. No utilice el aparato sin los filtros instalados.
14. No cargue la batería en exteriores.
15. Este aparato no ha sido pensado para ser usado por personas (incluidos niños) con capacidades físicas, sensoriales o mentales mermadas, o sin experiencia y conocimiento, a menos que una persona responsable por su seguridad las supervise o les dé instrucciones sobre el uso del aparato.
16. Los niños pequeños deberán ser supervisados para asegurarse de que no juegan con el aparato.

GUARDE ESTAS INSTRUCCIONES.

Este aparato ha sido previsto para ser utilizado en el hogar.

NORMAS DE SEGURIDAD ADICIONALES

1. Lea este manual de instrucciones y el manual de instrucciones del cargador atentamente antes de utilizar el aparato.
2. No recoja los materiales siguientes:
 - Materiales calientes tales como cigarrillos encendidos o polvo de chispas/metales generado al cortar/amolar metales
 - Materiales inflamables tales como gasolina, disolvente, bencina, keroseno o pintura
 - Materiales explosivos como nitroglicerina
 - Materiales que puedan prenderse como aluminio, cinc, magnesio, titanio, fósforo o celuloide
 - Suciedad mojada, agua, aceite o similares
 - Piezas duras con bordes cortantes, tales como virutas de madera, metales, piedras, cristales, clavos, alfileres o cuchillas de afeitar
 - Polvo que cuaje tales como cemento o toner
 - Polvo conductivo como metales o carbón
 - Partículas finas como polvo de cemento
 Tales acciones podrán causar un incendio, heridas y/o daños a la propiedad.
3. Detenga inmediatamente la operación si nota algo anormal.
4. Si deja caer o golpea el aspirador, compruebe atentamente si tiene grietas o algún daño antes de iniciar la operación.
5. No lo acerque a estufas u otras fuentes de calor.
6. No bloquee el orificio de admisión ni los orificios de ventilación.

GUARDE ESTAS INSTRUCCIONES.

INSTRUCCIONES DE SEGURIDAD IMPORTANTES

ENC007-6

PARA EL CARTUCHO DE BATERÍA

1. Antes de utilizar el cartucho de batería, lea todas las instrucciones e indicaciones de precaución sobre (1) el cargador de baterías, (2) la batería, y (3) el producto con el que se utiliza la batería.
2. No desarme el cartucho de batería.
3. Si el tiempo de uso del cartucho de batería se acorta demasiado, deje de usarlo inmediatamente. Podría resultar en un riesgo de recalentamiento, posibles quemaduras e incluso una explosión.
4. Si entra electrólito en sus ojos, aclárelos con agua limpia y vea a un médico inmediatamente. Existe el riesgo de poder perder la vista.
5. No cortocircuite el cartucho de batería:
 - (1) No toque los terminales con ningún material conductor.
 - (2) Evite guardar el cartucho de batería en un cajón junto con otros objetos metálicos, tales como clavos, monedas, etc.
 - (3) No exponga el cartucho de batería al agua ni a la lluvia.

- Un cortocircuito en la batería puede producir una gran circulación de corriente, un recalentamiento, posibles quemaduras e incluso una rotura de la misma.
6. No guarde la herramienta ni el cartucho de batería en lugares donde la temperatura pueda alcanzar o exceder los 50°C.
7. Nunca incinere el cartucho de batería incluso en el caso de que esté dañado seriamente o ya no sirva en absoluto. El cartucho de batería puede explotar si se tira al fuego.
8. Tenga cuidado de no dejar caer ni golpear el cartucho de batería.
9. No utilice una batería dañada.

GUARDE ESTAS INSTRUCCIONES.

Consejos para alargar al máximo la vida de servicio de la batería

1. Cargue el cartucho de batería antes de que se descargue completamente. Pare siempre la operación y cargue el cartucho de batería cuando note menos potencia en la herramienta.
2. No cargue nunca un cartucho de batería que esté completamente cargado. La sobrecarga acortará la vida de servicio de la batería.
3. Cargue el cartucho de batería a temperatura ambiente de 10°C – 40°C. Si un cartucho de batería está caliente, déjelo enfriar antes de cargarlo.

DESCRIPCIÓN DEL FUNCIONAMIENTO

⚠ PRECAUCIÓN:

- Asegúrese siempre de que la herramienta esté apagada y el cartucho de batería extraído antes de realizar cualquier ajuste o comprobación en la herramienta.

Instalación o desmontaje del cartucho de batería

Para le modelo CL072D (Fig. 1)

Para le modelo CL102D (Fig. 2)

- Apague siempre la herramienta antes de insertar o extraer el cartucho de batería.
- Para retirar el cartucho de batería, sáquelo de la herramienta mientras presiona los botones a cada lado del mismo.
- Para insertar el cartucho de batería, sujételo de forma que la parte frontal del mismo encaje en la abertura de instalación de batería y deslícelo hacia el interior hasta encajarlo en su sitio. Insértelo siempre a fondo hasta que quede bloqueado en su sitio produciendo un ligero chasquido. En caso contrario, podrá caerse accidentalmente de la herramienta, ocasionando heridas a usted o a alguien cerca de usted.
- No emplee fuerza cuando inserte el cartucho de batería. Si el cartucho no se desliza al interior fácilmente, será porque no está siendo insertado correctamente.

Sistema de protección de la batería

La aspiradora está equipada con el sistema de protección, que corta automáticamente la alimentación para asegurar una larga vida de servicio.

La aspiradora podrá detenerse durante la operación cuando la aspiradora y/o la batería sean puestas en una de las situaciones siguientes. Esto es causado por la activación del sistema de protección y no significa un problema de la aspiradora.

- Cuando la aspiradora esté sobrecargada:

En este momento, suelte el gatillo interruptor y elimine las causas de la sobrecarga y después apriete el gatillo interruptor otra vez para reanudar.

- Cuando la capacidad de batería restante sea baja:
Cargue el cartucho de batería.

Accionamiento del interruptor (Fig. 3)

Para poner en marcha la aspiradora, simplemente presione el botón "HIGH/LOW". Para apagar, presione el botón "OFF". Para cambiar la velocidad de la aspiradora, presione el botón "HIGH/LOW". La primera vez que se presiona este botón es para velocidad alta y la segunda para velocidad baja y después cada vez que se presiona este botón se repite el ciclo de velocidad alta/baja alternativamente.

Lámpara de energía de la batería (Fig. 4)

- Cuando la capacidad de batería restante sea baja, la lámpara de energía de la batería parpadeará.
- Cuando la capacidad de batería restante sea muy baja, la herramienta se detendrá durante la operación y la lámpara de energía de la batería se encenderá durante unos diez segundos. En este momento, extraiga el cartucho de batería de la herramienta y cárguelo.

NOTA:

- El momento en que la lámpara de energía de la batería comience a parpadear o se encienda dependerá de la temperatura en el lugar de trabajo y las condiciones del cartucho de batería.

MONTAJE

⚠ PRECAUCIÓN:

- Asegúrese siempre de que la herramienta esté apagada y el cartucho de batería extraído antes de realizar cualquier trabajo en la herramienta.

Eliminación del polvo (Fig. 5, 6, 7, 8 y 9)

⚠ PRECAUCIÓN:

- Vacíe el aspirador antes de que se llene demasiado, o la fuerza de succión se debilitará.
 - Asegúrese de vaciar el polvo dentro del propio aspirador. De lo contrario, el filtro de esponja podría obstruirse o dañarse el motor.
 - No tire nunca el tapón de polvo porque deberá ser utilizado siempre que se use la bolsa de polvo o el paquete de papel.
1. Presione el botón para abrir la cubierta frontal. El abrirla hasta que se oiga un chasquido permite una detención positiva en esa posición.

NOTA:

- El aspirador ha sido construido de tal manera que la cubierta frontal se soltará cuando se trate de abrirla a la fuerza a un ángulo de más de 90°. Si la cubierta frontal se suelta, insértela en la junta de la cubierta frontal para ponerla en su sitio.

⚠ PRECAUCIÓN:

- Cuando vaya a cerrar la cubierta frontal, tenga cuidado de no pillarse los dedos.
2. Saque el tapón de polvo de color naranja y la bolsa de polvo juntos al mismo tiempo.
 3. Retire el tapón de polvo y vacíe el aspirador.

Bolsa de polvo y paquete de papel

Instale la bolsa de polvo o bien el paquete de papel antes de utilizar el aspirador.

Utilice el tapón de polvo cuando instale la bolsa de polvo o bien el paquete de papel.

Las bolsas de polvo se pueden utilizar muchas veces repetidamente vaciándolas.

El paquete de papel es de tipo desechable. Tire el paquete de papel entero sin vaciarlo cuando se haya llenado.

Instalación de la bolsa de polvo (Fig. 10, 11, 12, 13, 14, 15 y 16)

Utilice el tapón de polvo cuando instale la bolsa de polvo. Tenga cuidado de no confundir el lado superior con el lado inferior porque son diferentes el uno del otro.

1. Inserte el saliente de la bolsa de polvo en la ranura del tapón de polvo como se muestra en la figura.
2. No hay distinción entre los lados superior e inferior de la bolsa de polvo. Puede insertar el saliente de cualquiera de los lados en la ranura inferior del tapón de polvo.
3. Solape el bastidor del tapón de polvo con el de la bolsa de polvo.
4. Ponga el tapón de polvo y la bolsa de polvo juntos en la cavidad del aspirador en la misma dirección que la flecha del tapón de polvo. Insértelos a fondo en las acanaladuras de la cavidad del aspirador.
5. Ponga toda la parte de tela de la bolsa de polvo dentro de la propia herramienta.
6. Cierre la cubierta frontal completamente.

Instalación del paquete de papel (Fig. 17, 18, 19, 20, 21, 22 y 23)

1. Desdoble la entrada del paquete de papel antes de ponerlo en el tapón de polvo.

Utilice el tapón de polvo también cuando instale el paquete de papel. Tenga cuidado de no confundir el lado superior con el lado inferior porque son diferentes el uno del otro.

2. Inserte el saliente del paquete de papel en la ranura que hay en el tapón de polvo como se muestra en la figura.
3. No hay distinción entre los lados superior e inferior del paquete de papel. Puede insertar el saliente de cualquiera de los lados en la ranura inferior del tapón de polvo.
4. Solape el bastidor del tapón de polvo con el del paquete de papel.
5. Ponga el tapón de polvo y el paquete de papel juntos en la cavidad del aspirador en la misma dirección que la flecha del tapón de polvo. Insértelos a fondo en las acanaladuras de la cavidad del aspirador.
6. Ponga toda la parte del contenedor del paquete de papel dentro de la propia herramienta.
7. Cierre la cubierta frontal completamente.

PRECAUCIÓN:

- Si se olvida de instalar la bolsa de polvo o el paquete de papel, o si no instala el tapón de polvo junto con la bolsa de polvo o el paquete de papel a fondo en las acanaladuras o si utiliza una bolsa rota o rasgada, podrá permitir al polvo entrar en el motor. Esto podrá resultar en un fallo del motor.
- No doble el cartón en su abertura cuando instale el paquete de papel.
- No tire nunca el tapón de polvo porque deberá ser utilizado repetidamente siempre que se use la bolsa de polvo o el paquete de papel.
- El paquete de papel para el aspirador es un componente importante para mantener el rendimiento de la herramienta. La utilización de otro paquete de papel distinto del genuino podrá ocasionar humos o ignición.

OPERACIÓN

PRECAUCIÓN:

- Para conectar accesorios, tales como boquillas, gire e inserte el accesorio en la dirección mostrada por la flecha para cerciorarse de que la conexión es segura durante la utilización. Para desconectar el accesorio, gire y extraiga también en la dirección mostrada por la flecha. (Fig. 24)

Limpieza (Succión)

Boquilla (Fig. 25)

Coloque la boquilla para limpiar mesas, escritorios, muebles, etc. La boquilla se desliza fácilmente.

Boquilla + Tubo de extensión (Tubo recto) (Fig. 26)

El tubo de extensión se encaja entre la boquilla y el propio aspirador. Esta disposición resulta útil para limpiar un suelo estando de pie.

Boquilla para esquinas (Fig. 27)

Encaje la boquilla para esquinas para limpiar esquinas y resquicios de un automóvil o mueble.

Boquilla para esquinas + Tubo de extensión (Tubo recto) (Fig. 28)

En espacios reducidos donde el propio aspirador no puede entrar, o en lugares altos difíciles de alcanzar, utilice esta disposición.

MANTENIMIENTO

PRECAUCIÓN:

- Asegúrese siempre de que la herramienta está apagada antes de intentar realizar una inspección o mantenimiento.

Después de la utilización (Fig. 29)

Cuando almacene el aspirador, cuélguelo de un clavo utilizando la correa de mano.

NOTA:

- Si pone el aspirador contra la pared sin ningún otro soporte el aspirador se podrá caer y dañarse. (Fig. 30)

Limpieza (Fig. 31 y 32)

De vez en cuando, limpie el exterior (cuerpo del aspirador) del aspirador utilizando un paño humedecido en agua jabonosa. Limpie también la abertura de succión, área de montaje de la bolsa de polvo/paquete de papel y el tapón de polvo.

PRECAUCIÓN:

- No utilice nunca gasolina, bencina, disolvente, alcohol o similares. Podría producir descoloración, deformación o grietas.

Lave la bolsa de polvo con agua jabonosa cuando esté obstruida con polvo y la potencia del aspirador disminuya. Séquela completamente antes de utilizarla. Una bolsa no secada suficientemente podrá ocasionar una succión deficiente y acortar la vida de servicio del motor.

NOTA:

- El paquete de papel es de tipo desechable.

Cuando el filtro de esponja se obstruya con polvo, quítelo del aspirador y después límpielo o lávelo con agua.

Desinstalación e instalación del filtro de esponja (Fig. 33 y 34)

Para quitar el filtro de esponja, quite la bolsa de polvo o el paquete de papel y después cójalo con las uñas y sáquelo.

Presione hacia dentro todo el borde del filtro de esponja contra la pared rebajada dentro del área de montaje de la bolsa de papel/paquete de papel.

PRECAUCIÓN:

- Después de limpiar el filtro de esponja, asegúrese de instalarlo en el aspirador. Si lo lava con agua, séquelo antes de instalarlo. Un filtro de esponja insuficientemente seco podrá acortar la vida de servicio del motor.

Cosas a comprobar antes de solicitar reparación

Síntoma	Área a investigar	Método de fijación
Poca potencia de succión	<ul style="list-style-type: none">• ¿Está la bolsa de polvo o el paquete de papel lleno de polvo?• ¿Está la bolsa de polvo obstruida?• ¿Está el paquete de papel obstruido?• ¿Está el cartucho de batería agotado?	<ul style="list-style-type: none">• Vacíe la bolsa de polvo o el paquete de papel.• Vacíe el polvo o lave la bolsa de polvo.• Reemplace el paquete de papel.• Cargue el cartucho de batería.
No funciona	<ul style="list-style-type: none">• ¿Está el cartucho de batería agotado?	<ul style="list-style-type: none">• Cargue el cartucho de batería.

NOTA:

- No intente reparar el aspirador usted mismo.

Para mantener la SEGURIDAD y FIABILIDAD del producto, las reparaciones, el mantenimiento y los ajustes deberán ser realizados por un Centro de Servicio Autorizado de Makita, siempre con piezas de repuesto de Makita.

ACCESORIOS

PRECAUCIÓN:

- Estos accesorios o acoplamientos están recomendados para utilizar con la aspiradora Makita especificada en este manual. El uso de cualquier otro accesorio o aditamento puede suponer un riesgo de lesiones personales. Utilice el accesorio o aditamento exclusivamente para su uso declarado.

Si necesita cualquier tipo de asistencia para más detalles en relación con estos accesorios, pregunte al centro de servicio Makita local.

- Tubo de extensión (Tubo recto)
- Boquilla
- Boquilla para alfombra
- Cepillo para estanterías
- Boquilla para esquinas
- Cepillo redondo
- Manguera flexible
- Paquete de papel
- Diferentes tipos de baterías y cargadores genuinos de Makita

Explicação geral

1 Bateria	9 Lado superior do protector de pó	16 Bocal
2 Botão	10 Lado inferior do protector de pó	17 Aspirador
3 Botão HIGH/LOW	11 Ranhura	18 Tubo extensor
4 Botão OFF	12 Colector de pó	19 Bocal para cantos
5 Luz da bateria	13 Ranhura inferior	20 Filtro de esponja
6 Tampa frontal	14 Encaixe do recipiente do aspirador	21 Cavidade
7 Articulação da tampa frontal		
8 Protector de pó	15 Saco de papel	

ESPECIFICAÇÕES

Modelo		CL072D	CL102D
Capacidade	com o colector de pó	0,50 L	
	com o saco de papel	0,33 L	
Utilização contínua	HIGH	Aprox. 8 min.	Aprox. 13 min.
	LOW	Aprox. 16 min.	Aprox. 21 min.
Comprimento total		984 mm	
Peso líquido		1,0 kg	1,1 kg
Tensão nominal		C.C. 7,2 V	C.C. 10,8 V

- Devido a um programa contínuo de pesquisa e desenvolvimento, estas especificações podem ser alteradas sem aviso prévio.
- As especificações e a bateria podem diferir de país para país.
- Peso, com a bateria, de acordo com o Procedimento 01/2003 da EPTA (European Power Tool Association)

ENE017-1

Utilização a que se destina

Este aspirador serve para colectar pó seco.

ENA005-3

IMPORTANTE**INSTRUÇÕES DE SEGURANÇA**

Quando utiliza aparelhos eléctricos, deve-se sempre observar as precauções básicas, inclusive as seguintes:

LEIA TODAS AS INSTRUÇÕES ANTES DE UTILIZAR ESTE APARELHO.

AVISO – Para reduzir o risco de incêndio, choque eléctrico ou ferimentos:

1. Não exponha à chuva. Guarde dentro de casa.
2. Não permita que seja utilizado como brinquedo. Tenha cuidado especialmente quando o aparelho for utilizado por crianças ou próximo delas.
3. Utilize-o somente de acordo com as instruções deste manual. Utilize somente os acessórios recomendados pelo fabricante.
4. Não utilize com uma bateria danificada. Se o aparelho não funcionar correctamente, for derrubado, danificado, deixado ao ar livre ou cair na água, leve-o ao centro de assistência.
5. Não manuseie o aparelho com as mãos molhadas.

6. Não coloque nenhum objecto nas aberturas. Não o utilize com uma abertura bloqueada; mantenha-o limpo, sem poeira, pêlos, cabelos ou qualquer outra coisa que possa reduzir o fluxo de ar.
7. Mantenha os cabelos, roupas largas, dedos e outras partes do corpo afastadas das aberturas e das peças em movimento.
8. Desligue todos os controlos antes de retirar a bateria.
9. Tenha cuidado especialmente ao limpar escadas.
10. Não utilize para aspirar líquidos inflamáveis ou combustíveis, tal como gasolina, nem utilize em áreas onde esses produtos podem estar presentes.
11. Utilize somente o carregador fornecido pelo fabricante para recarregar.
12. Não utilize para aspirar algo que está a queimar ou a soltar fumo, tal como cigarros, fósforos ou cinzas quentes.
13. Não utilize sem os filtros devidamente instalados.
14. Não carregue a bateria ao ar livre.
15. Esta ferramenta não é para utilização por pessoas (inclusive crianças) com capacidades físicas, sensoriais ou mentais reduzidas ou sem experiência e conhecimento, a menos que sejam supervisionadas ou recebam instruções sobre a utilização da ferramenta da pessoa responsável pela sua segurança.
16. Deve-se supervisionar as crianças para que elas não brinquem com o aparelho.

GUARDE ESTAS INSTRUÇÕES.

Este aparelho destina-se à utilização doméstica.

REGRAS DE SEGURANÇA ADICIONAIS

1. Antes de utilizar o aparelho, leia cuidadosamente este manual de instruções bem como o manual do carregador.
2. Não aspire os seguintes artigos:
 - Artigos quentes, tais como cigarros acesos ou faíscas/pó de metal produzidos ao esmerilar/cortar metal
 - Materiais inflamáveis, tais como gasolina, diluentes, benzeno, querosene ou tinta
 - Materiais explosivos como nitroglicerina
 - Materiais inflamáveis ou de auto-ignição, tais como alumínio, zinco, magnésio, titânio, fósforo ou celulósido
 - Sujidade húmida, água, óleo, etc
 - Artigos rígidos com arestas cortantes, tais como aparas de madeira, metais, pedras, vidros, pregos, pinos e lâminas de barbear
 - Pó para solidificar, como cimento ou toner
 - Pó condutivo, tal como metal ou carbono
 - Partículas minúsculas como de betão
 Isso pode provocar incêndio, ferimentos e/ou danos à propriedade.
3. Desligue o aspirador imediatamente se notar qualquer funcionamento anormal.
4. Se deixar cair ou bater o aspirador, inspecione cuidadosamente para ver se há rachaduras ou danos antes de utilizar.
5. Não aproxime de fogões nem de outras fontes de calor.
6. Não bloqueie os orifícios de entrada e saída de ar.

GUARDE ESTAS INSTRUÇÕES.

IMPORTANTES INSTRUÇÕES DE SEGURANÇA

ENC007-6

PARA A BATERIA

1. Antes de utilizar a bateria, leia todas as instruções e etiquetas de precaução no (1) carregador de bateria (2) bateria e (3) produto que utiliza a bateria.
2. Não abra a bateria.
3. Se o tempo de funcionamento se tornar excessivamente curto, pare o funcionamento imediatamente. Pode resultar em sobreaquecimento, possíveis queimaduras e mesmo explosão.
4. Se entrar electrólito nos seus olhos, lave-os com água e consulte imediatamente um médico. Pode resultar em perda de visão.
5. Não corte-circuite a bateria:
 - (1) Não toque nos terminais com qualquer material condutor.
 - (2) Evite guardar a bateria juntamente com outros objectos metálicos tais como pregos, moedas, etc.
 - (3) Não exponha a bateria à água ou chuva. Um curto-circuito pode ocasionar um enorme fluxo de corrente, sobreaquecimento, possíveis queimaduras e mesmo estragar-se.
6. Não guarde a ferramenta e a bateria em locais onde a temperatura pode atingir ou exceder 50°C.

7. Não queime a bateria mesmo que esteja estragada ou completamente gasta. A bateria pode explodir no fogo.
8. Tenha cuidado para não deixar cair ou dar pancadas na bateria.
9. Não utilize uma bateria danificada.

GUARDE ESTAS INSTRUÇÕES.

Conselhos para manter a máxima vida útil da bateria

1. Carregue a bateria antes que esteja completamente descarregada. Pare sempre o funcionamento da ferramenta e carregue a bateria quando notar menos poder na ferramenta.
2. Nunca carregue uma bateria completamente carregada. Carregamento excessivo diminui a vida útil da bateria.
3. Carregue a bateria à temperatura ambiente de 10°C – 40°C. Deixe que uma bateria quente arrefeça antes de a carregar.

DESCRIÇÃO FUNCIONAL

⚠️ PRECAUÇÃO:

- Certifique-se sempre de que a ferramenta está desligada e a bateria retirada antes de regular ou verificar qualquer função na ferramenta.

Instalar ou retirar a bateria

Para Modelo CL072D (Fig. 1)

Para Modelo CL102D (Fig. 2)

- Desligue sempre a ferramenta antes de colocar ou retirar a bateria.
- Para retirar a bateria, tire-a da ferramenta enquanto pressiona os botões em ambos os lados da bateria.
- Para instalar a bateria, segure-a de forma que a sua parte frontal encaixe na abertura do compartimento da bateria e deslize-a no lugar. Empurre-a até o fim para que a mesma se trave com um clique. Caso contrário, a mesma poderá cair acidentalmente e causar ferimentos em você mesmo ou em alguém nas mediações.
- Não utilize força quando coloca a bateria. Se a bateria não deslizar facilmente é porque não foi colocada correctamente.

Sistema de protecção da bateria

O aspirador é equipado com um sistema de protecção que desactiva o consumo de energia automaticamente a fim de prolongar a sua vida útil.

O aspirador pode parar durante o funcionamento se a mesmo e/ou a bateria se encontrar nas seguintes circunstâncias: Isso é devido à activação do sistema de protecção e não é sinal de avaria no aspirador.

- Se ocorrer a sobrecarga do aspirador:
 - Liberte o gatilho, elimine a causa da sobrecarga e carregue no gatilho outra vez para reiniciar.
- Se a carga restante da bateria estiver baixa:
 - Recarregue a bateria.

Acção do interruptor (Fig. 3)

Para ligar o aspirador, simplesmente prima o botão "HIGH/LOW". Para desligar, prima o botão "OFF". Para alterar a velocidade do aspirador, prima o botão "HIGH/LOW". A velocidade aumenta ao premir este botão pela primeira vez e diminui ao premir pela segunda vez; a partir de então, cada vez que preme o botão, o ciclo de velocidade alta/baixa é repetido alternadamente.

Luz da bateria (Fig. 4)

- Quando a carga restante da bateria está baixa, a luz da bateria pisca.
- Quando a carga restante da bateria diminui ainda mais, a ferramenta pára durante o funcionamento e a luz da bateria acende-se por uns 10 segundos. Retire a bateria da ferramenta e recarregue-a.

NOTA:

- O momento que a luz da bateria começa a piscar ou acende-se depende da temperatura ambiente no local de trabalho e das condições da bateria.

ASSEMBLAGEM

⚠ PRECAUÇÃO:

- Certifique-se sempre de que a ferramenta está desligada e a bateria retirada antes de executar qualquer manutenção na ferramenta.

Esvaziar (Fig. 5, 6, 7, 8 e 9)

⚠ PRECAUÇÃO:

- Esvazie o aspirador antes que fique muito cheio, pois do contrário a força de sucção diminuirá.
- Certifique-se de limpar o pó de dentro do próprio aspirador. Se não o fizer pode bloquear o filtro de esponja ou estragar o motor.
- Não deite fora o protector de pó, pois ele deve ser utilizado sempre que instalar o colector de pó ou o saco de papel.

1. Carregue no botão para abrir a tampa frontal. Abrir a até ouvir um clique permite uma parada positiva naquela posição.

NOTA:

- O aspirador é construído de tal modo que a tampa frontal se desprende quando se tenta forçá-la aberta em um ângulo de mais de 90°. Se a tampa frontal sair, introduza-a de volta na articulação.

⚠ PRECAUÇÃO:

- Tenha cuidado para não prender os dedos ao fechar a tampa frontal.
2. Tire ambos o protector de pó alaranjado e o colector de pó juntos, ao mesmo tempo.
 3. Retire o protector de pó e esvazie o aspirador.

Colector de pó e saco de papel

Instale o colector de pó ou o saco de papel antes de utilizar o aspirador.

Utilize o protector de pó quando instalar o colector de pó ou o saco de papel.

O colector de pó pode ser utilizado repetidas vezes desde que seja limpo.

O saco de papel é descartável. Quando estiver cheio, deite fora o saco inteiro, sem esvaziar.

Instalação do colector de pó (Fig. 10, 11, 12, 13, 14, 15 e 16)

Utilize o protector de pó quando instalar o colector de pó. Tenha cuidado para não confundir o lado superior com o lado inferior, pois são diferentes.

1. Encaixe a saliência do colector de pó na ranhura do protector, como ilustrado.
2. Não há distinção entre os lados superior e inferior do colector de pó. Pode-se inserir a saliência de qualquer um dos lados na ranhura inferior do protector de pó.
3. Junte os dois sobrepondo a borda do protector de pó com a do colector de pó.
4. Coloque o protector e o colector de pó juntos no encaixe do recipiente do aspirador, no mesmo sentido que o indicado pela seta no protector de pó. Insira ambos nos encaixes do recipiente do aspirador o máximo possível.
5. Coloque toda a parte de tecido do colector de pó dentro do aspirador.
6. Feche a tampa frontal totalmente.

Instalação do saco de papel (Fig. 17, 18, 19, 20, 21, 22 e 23)

1. Desdobre a boca do saco de papel antes de o instalar no protector de pó.

Utilize o protector de pó quando instalar o saco de papel também. Tenha cuidado para não confundir o lado superior com o lado inferior, pois são diferentes.

2. Encaixe a saliência do saco de papel na ranhura do protector de pó, como ilustrado.
3. Não há distinção entre os lados superior e inferior do saco de papel. Pode-se inserir a saliência de qualquer um dos lados na ranhura inferior do protector de pó.
4. Junte os dois sobrepondo a borda do protector de pó com a do saco de papel.
5. Coloque o protector de pó e o saco de papel juntos no encaixe do recipiente do aspirador, no mesmo sentido que o indicado pela seta no protector de pó. Insira ambos nos encaixes do recipiente do aspirador o máximo possível.
6. Coloque o saco de papel inteiro dentro do aspirador.
7. Feche a tampa frontal totalmente.

⚠ PRECAUÇÃO:

- Se esquecer-se de instalar o colector de pó ou o saco de papel, se não encaixar bem o protector de pó junto com o colector de pó ou saco de papel ou se utilizar um saco rasgado ou danificado, o pó pode entrar no motor. Isso pode provocar a falha do motor.
- Não dobre a abertura do papelão ao instalar o saco de papel.
- Não deite fora o protector de pó, pois ele deve ser utilizado sempre que instalar o colector de pó ou o saco de papel.
- O saco de papel do aspirador é um componente importante para manter o bom desempenho da ferramenta. A utilização de sacos de papel não genuínos pode provocar fumo ou incêndio.

FUNCIONAMENTO

PRECAUÇÃO:

- Para instalar os acessórios, tal como o bocal, coloque e gire o acessório no sentido da seta para que fique seguro durante a utilização. Para retirar o acessório, desenrosque-o no sentido da seta. (Fig. 24)

Limpeza (Sucção)

Bocal (Fig. 25)

Instale o bocal para limpar mesas, secretárias, móveis, etc. O bocal encaixa com facilidade.

Bocal + tubo extensor (tubo recto) (Fig. 26)

O tubo extensor é conectado entre o bocal e o aspirador. Este arranjo é conveniente para manter uma boa postura ao fazer a limpeza de solos.

Bocal para cantos (Fig. 27)

Encaixe o bocal para cantos para limpeza de cantos e frestas de carros ou móveis.

Bocal para cantos + tubo extensor (tubo recto) (Fig. 28)

Utilize este arranjo para limpar em locais estreitos onde o aspirador não entra ou em locais altos.

MANUTENÇÃO

PRECAUÇÃO:

- Certifique-se sempre de que o aspirador esteja desligado antes de executar qualquer inspeção ou manutenção no mesmo.

Depois de utilizar (Fig. 29)

Para armazenar o aspirador, pendure-o em um prego utilizando a correia de pulso.

NOTA:

- Se deixar o aspirador contra a parede sem qualquer apoio, o mesmo pode cair e provocar avarias. (Fig. 30)

Limpeza (Fig. 31 e 32)

Limpe periodicamente o exterior do aspirador (armação) com um pano humedecido em água e sabão. Limpe também a abertura de sucção, área de instalação do colector de pó/saco de papel e o protector de pó.

PRECAUÇÃO:

- Nunca utilize gasolina, benzina, diluente, álcool ou produtos semelhantes. Pode ocorrer a descoloração, deformação ou rachaduras.

Lave o colector de pó com água e sabão quando este estiver obstruído com pó e quando houver redução da potência. Seque-o completamente antes de utilizar. Se o colector que não estiver bem seco, pode prejudicar a sucção e diminuir a vida útil do motor.

NOTA:

- O saco de papel é descartável.

Se o filtro de esponja estiver obstruído com pó, retire-o do aspirador e limpe ou lave-o com água.

Remoção e instalação do filtro de esponja

(Fig. 33 e 34)

Para retirar o filtro de esponja, primeiro retire o colector de pó ou o saco de papel e depois retire-o.

Pressione a borda inteira do filtro de esponja contra a cavidade na superfície interna da área de instalação do colector de pó/saco de papel.

PRECAUÇÃO:

- Certifique-se de instalar o filtro de esponja no aspirador depois de o limpar. Se lavar com água, deixe-o secar antes de instalar. Um filtro de esponja que não esteja bem seco pode diminuir a vida útil do motor.

Pontos a verificar antes de solicitar assistência técnica

Sintoma	Área a verificar	O que fazer
Potência de sucção fraca	<ul style="list-style-type: none">• O colector de pó ou o saco de papel está cheio?• O colector de pó está obstruído?• O saco de papel está obstruído?• A bateria está descarregada?	<ul style="list-style-type: none">• Esvazie o colector de pó ou o saco de papel.• Limpe ou lave o colector de pó.• Troque o saco de papel.• Recarregue a bateria.
Não funciona.	<ul style="list-style-type: none">• A bateria está descarregada?	<ul style="list-style-type: none">• Recarregue a bateria.

NOTA:

- Não tente consertar o aspirador.

Para manter a SEGURANÇA e FIABILIDADE, as reparações e outras acções de manutenção ou ajustes devem ser executados pelos Centros de assistência autorizados da Makita, utilizando sempre peças de substituição Makita.

ACESSÓRIOS

PRECAUÇÃO:

- Os acessórios ou peças especificados neste manual são recomendados para utilização com o seu aspirador Makita. A utilização de outros acessórios ou peças pode ser perigosa para as pessoas. Utilize apenas acessórios ou peças para os fins indicados.

Se desejar informações detalhadas acerca desses acessórios, solicite ao centro de assistência técnica Makita local.

- Tubo extensor (tubo reto)
- Bocal
- Bocal para carpete
- Escova para prateleiras
- Bocal para cantos
- Escova redonda
- Mangueira flexível
- Saco de papel
- Vários tipos de baterias genuínas da Makita e carregadores

Illustrationsoversigt

1 Akku	8 Støvstopper	15 Papirpakke
2 Knap	9 Øverste side af støvstopper	16 Mundstykke
3 Høj/lav-knap (HIGH/LOW)	10 Nederste side af støvstopper	17 Støvsuger
4 Afbryderknap (OFF)	11 Rille	18 Forlængerstav
5 Akkudriftslampe	12 Støvpose	19 Hjørnemundstykke
6 Frontdæksel	13 Nedre rille	20 Svampefilter
7 Frontdækselkobling	14 Åbning på støvsuger	21 Tilbagetrukket væg

SPECIFIKATIONER

Model		CL072D	CL102D
Kapacitet	med en støvpose	0,50 L	
	med en papirpakke	0,33 L	
Kontinuerlig anvendelse	HØJ (HIGH)	Ca. 8 min.	Ca. 13 min.
	LAV (LOW)	Ca. 16 min.	Ca. 21 min.
Længde i alt		984 mm	
Nettovægt		1,0 kg	1,1 kg
Mærkespænding		D.C. 7,2 V	D.C. 10,8 V

- På grund af vores kontinuerlige forskningsprogrammer og udvikling, kan hosstående specifikationer blive ændret uden varsel.
- Specifikationer og akku kan variere fra land til land.
- Vægt inklusive akku, i henhold til EPTA-Procedure 01/2003

ENE017-1

Korrekt anvendelse

Denne støvsuger er beregnet til opugning af tørt støv.

ENA005-3

VIGTIGT

SIKKERHEDSFORSKRIFTER

Når et elektrisk apparat anvendes, bør de elementære sikkerhedsregler altid følges, inklusive følgende:

LÆS ALLE INSTRUKTIONER INDEN DETTE APPARAT TAGES IBRUG.

ADVARSEL – Risikoen for brand, elektrisk stød og tilskadekomst kan reduceres ved at man iagttager følgende:

1. Udsæt ikke støvsugeren for regn. Opbevar støvsugeren inden døre.
2. Støvsugeren må ikke anvendes som legetøj. Nøje overvågning er nødvendig, hvis støvsugeren anvendes af eller i nærheden af børn.
3. Anvend kun støvsugeren som beskrevet i denne brugsvejledning. Anvend kun tilbehørsdele, som anbefales af fabrikanten.
4. Anvend ikke støvsugeren med et beskadiget batteri. Hvis støvsugeren ikke virker som den skal, er blevet tabt, efterladt uden døre eller har været under vand, skal den indleveres til et service-center til eftersyn.

5. Rør ikke ved støvsugeren med våde hænder.
6. Stik ikke nogen genstande ind i åbningerne. Anvend ikke støvsugeren med blokerede åbninger. Hold den fri for støv, fnug, hår og alt hvad der kan hindre luftstrømmen.
7. Hold hår, løse beklædningsgenstande og alle kroksdele på god afstand af åbningerne og de bevægende dele.
8. Deaktiver alle kontroller, inden batteriet tages ud.
9. Udvis ekstra forsigtighed ved rengøring på trapper.
10. Anvend ikke støvsugeren til at opsuge antændelige eller brændbare væsker, som for eksempel benzin, og anvend ikke støvsugeren på steder, hvor disse væsker kan forefindes.
11. Anvend kun den oplader, som leveres af fabrikanten til genopladning.
12. Opsug ikke noget, som brænder eller ryger, som for eksempel cigaretter, tændstikker eller varm aske.
13. Anvend ikke støvsugeren uden at filtrene er sat på plads.
14. Oplad ikke batteriet uden døre.
15. Dette apparat er ikke beregnet til at anvendes af personer (inklusive børn) med reducerede, fysiske sanser eller mentale evner, eller manglende erfaring og kendskab, med mindre de er under opsyn eller har modtaget instruktioner angående brug af apparatet af en person, som er ansvarlig for deres sikkerhed.
16. Børn bør være under opsyn, så man sikrer sig, at de ikke leger med apparatet.

GEM DENNE BRUGSANVISNING.

Denne støvsuger er beregnet til husholdningsbrug.

SUPPLERENDE SIKKERHEDSREGLER

- Læs denne brugsvejledning og instruktionerne for opladning grundigt inden brugen.
- Undlad at samle de følgende materialer op:
 - Varme materialer, som for eksempel tændte cigaretter eller gnister/metalstøv, som er frembragt ved slibning/skæring af metal
 - Brændbare materialer som for eksempel benzin, fortynder, rensbenzin, petroleum og maling
 - Eksplosive materialer som for eksempel nitroglycerin
 - Antændelige materialer som for eksempel aluminium, zink, magnesium, titan, fosfor eller celluloid
 - Våd snavs, vand, olie og lignende
 - Hårde genstande med skarpe kanter, som for eksempel træspåner, metal, sten, glas, knappenåle søm og barberblade
 - Pulver, der storkner, som for eksempel cement og toner
 - Ledende støv som for eksempel metal eller kulfiber
 - Fine partikler som for eksempel betonstøv
 Dette kan være årsag til brand, tilskadekomst og/eller materiel skade.
- Hold øjeblikkeligt op med at anvende støvsugeren, hvis noget unormalt registreres.
- Hvis De kommer til at tabe eller støde til støvsugeren, skal De omhyggeligt efterse den for revner eller anden beskadigelse inden brugen.
- Hold støvsugeren på god afstand af ovne og andre varmekilder.
- Undlad at blokere indsugningsåbningen og ventilationshullerne.

GEM DENNE BRUGSANVISNING.

ENC007-6

VIGTIGE SIKKERHEDSFORSKRIFTER

FOR AKKU

- Læs alle instruktioner og advarselsmærkater på (1) akku opladeren, (2) akku og (3) produktet, som anvender akku.
- Lad være med at skille akkuen ad.
- Hold straks op med at anvende opladeren, hvis brugstiden er blevet stærkt afkortet. Fortsat anvendelse kan resultere i risiko for overophedning, forbrændinger og endog eksplosion.
- Hvis du har fået elektrolytvæske i øjnene, skal du straks skylle den ud med rent vand og derefter øjeblikkeligt søge lægehjælp. I modsat fald kan resultatet blive, at du mister synet.
- Vær påpasselig med ikke at komme til at kortslutte akkuen:
 - (1) Rør ikke ved terminalerne med noget ledende materiale.
 - (2) Undgå at opbevare akkuen i en beholder sammen med andre genstande af metal, som for eksempel søm, mønter og lignende.
 - (3) Udsæt ikke akkuen for vand eller regn.

Kortslutning af akkuen kan være årsag til en kraftig øgning af strømmen, overophedning, mulige forbrændinger og endog maskinstop.

- Opbevar ikke maskinen og akkuen på et sted, hvor temperaturen kan nå eller overstige 50°C.
- Lad være med at brænde akkuen, selv ikke i tilfælde, hvor det har lidt alvorlig skade eller er fuldstændig udtjent. Akkuen kan eksplodere, hvis man forsøger at brænde den.
- Lad være med at brænde akkuen eller udsætte det for stød.
- Anvend ikke en beskadiget akku.

GEM DENNE BRUGSANVISNING.

Tips til opnåelse af maksimal akku-levetid

- Oplad altid akkuen, inden den er helt afladet. Stop altid maskinen og oplad akkuen, hvis det bemærkes, at maskineffekten er dalende.
- Genoplad aldrig en fuldt opladet akku. Overopladning vil afkorte akkuets levetid.
- Oplad akkuen ved stuetemperatur ved 10°C – 40°C. Lad altid en varm akku få tid til at køle af, inden den oplades.

FUNKTIONSBESKRIVELSE

⚠ FORSIGTIG:

- Sørg altid for at maskinen er slukket, og at akkuen er taget ud, før der udføres justering eller kontrol af funktioner på maskinen.

Isætning og udtagning af akku

For model CL072D (Fig. 1)

For model CL102D (Fig. 2)

- Sluk altid for maskinen, før akkuen sættes i eller tages ud.
- For at fjerne akkuen trykkes samtidigt på knapperne på begge sider af akkuen, mens denne trækkes ud af maskinen.
- Akkuen sættes i ved at man holder den, så akkuets forreste del passer ind i batteri-installationens åbning og derefter skubber den ind. Sæt den altid helt ind, så den låses på plads med et lille klik. Hvis den ikke gør det, kan den ved et uheld falde ud af maskinen, hvorved omkringstående eller De selv kan komme til skade.
- Brug aldrig magt, når akkuen sættes i. Hvis ikke akkuen glider i uden besvær, er det fordi, at den vender forkert.

Akku-beskyttelsessystem

Støvsugeren er udstyret med et beskyttelsessystem, som automatisk afbryder udgangsstrømmen med det formål at forlænge levetiden.

Støvsugeren kan stoppe under anvendelsen, hvis den og/eller akkuen er i den følgende situation. Dette er forårsaget af aktivering af beskyttelsessystemet og er ikke tegn på problemer med støvsugeren.

- Hvis støvsugeren er overbelastet:
 - Udlos på dette tidspunkt afbryderknappen og fjern årsagerne til overbelastning, og tryk igen afbryderknappen ind for at starte igen.
- Når den tilbageværende batterikapacitet er blevet lav:
 - Genoplad akkuen.

Afbryderbetjening (Fig. 3)

For at starte støvsugeren, behøver man blot at trykke på "HIGH/LOW"-knappen. For at afbryde, trykkes på "OFF"-knappen. For at ændre støvsugerens hastighed, trykkes der på knappen "HIGH/LOW". Det første tryk på denne knap er for høj hastighed og det andet tryk for lav hastighed, og hvert efterfølgende tryk på denne knap gentager høj/lav hastighedscyklen skiftevis.

Akkudriftslampe (Fig. 4)

- Når den tilbageværende akku-kapacitet er blevet lav, vil akkudriftslampen begynde at blinke.
- Når den tilbageværende akku-kapacitet er blevet meget lavere, vil støvsugeren stoppe under driften og akkudriftslampen vil lyse i omkring ti sekunder. Fjern på dette tidspunkt akkuen fra støvsugeren og oplad den.

BEMÆRK:

- Den tid, hvor akkudriftslampen begynder at blinke eller lyse, afhænger af temperaturen på arbejdsstedet og tilstanden af akkuen.

SAMLING

⚠ FORSIGTIG:

- Sørg altid for at maskinen er slukket, og at akkuen er taget ud, før der udføres noget arbejde på maskinen.

Bortskaffelse af støv (Fig. 5, 6, 7, 8 og 9)

⚠ FORSIGTIG:

- Tøm støvsugeren, inde den bliver for fuld ellers formindskes sugekraften.
 - Husk altid at fjerne støvet inde i selve støvsugeren. Hvis dette ikke gøres, tilstoppes maskinens svampefilter og maskinens effekt nedsættes eller motoren bliver ødelagt.
 - Smid aldrig støvstopperen ud, da den skal anvendes gentagne gange, hver gang enten støvposen eller papirpakken anvendes.
1. Tryk på knappen for at åbne frontdækslet. Hvis det holdes åbent, indtil et klik høres, muligvis gøres et positivt stop ved den position.

BEMÆRK:

- Støvsugeren er konstrueret således, at frontdækslet går af, hvis man prøver at forcere det åbent i en vinkel på mere end 90°. Hvis frontdækslet går af, skal det sættes på plads i frontdækselkoblingen.

⚠ FORSIGTIG:

- Vær påpasselig med ikke at få fingrene i klemme, når De lukker frontdækslet.
2. Træk både den orangefarvede støvstopper og støvposen ud sammen og samtidigt.
 3. Fjern støvstopperen og rengør støvsugeren.

Støvpose og papirpakke

Monter enten en støvpose eller en papirpakke, inden støvsugeren tages i brug.

Anvend støvstopperen, når De monterer enten en støvpose eller en papirpakke.

Støvposen kan bruges mange gange, hvis man tømmer den.

Papirpakken er af smid-væk typen. Smid hele papirpakken væk uden at tømme den, når den er blevet fuld.

Installation af støvposen (Fig. 10, 11, 12, 13, 14, 15 og 16)

Anvend støvstopperen, når De monterer støvposen. Vær påpasselig med ikke ved et uheld at forveksle den øverste side med den nederste side, da de er forskellige.

1. Sæt fremspringet på støvposen ind i rillen i støvstopperen som vist på illustrationen.
2. Der er ingen forskel på den øverste og nederste side på støvposen. Fremspringet kan sættes ind på begge sider i den nederste rille på støvstopperen.
3. Overlap rammen på støvstopperen med den på støvposen.
4. Sæt støvstopperen og støvposen sammen ind i åbningen på støvsugeren i retningen af pilen på støvstopperen. Sæt dem hele vejen ind i sprækkerne i åbningen på støvsugeren.
5. Anbring hele stofdelen af støvposen inden i selve støvsugeren.
6. Luk frontdækslet helt.

Montering af papirpakke (Fig. 17, 18, 19, 20, 21, 22 og 23)

1. Åbn indgangen på papirpakken, inden De anbringer den på støvstopperen.

Anvend også støvstopperen, når De monterer papirpakken. Vær påpasselig med ikke at forveksle den øverste side med den nederste side, fordi de er forskellige.

2. Sæt fremspringet på papirpakken ind i rillen i støvstopperen som vist på illustrationen.
3. Der er ingen forskel på den øverste og nederste side på papirpakken. Fremspringet kan sættes ind på begge sider i den nederste rille på støvstopperen.
4. Overlap rammen på støvstopperen med den på papirpakken.
5. Sæt støvstopperen og papirpakken sammen ind i åbningen på støvsugeren i pilens retning på støvstopperen. Sæt dem hele vejen ind i sprækkerne i åbningen på støvsugeren.
6. Anbring hele beholderdelen af papirpakken inden i selve støvsugeren.
7. Luk frontdækslet helt.

⚠ FORSIGTIG:

- Hvis De glemmer at montere støvposen eller papirpakken, forsømmer at sætte støvstopperen hele vejen ind i sprækkerne sammen med støvposen eller papirpakken, eller anvender en ødelagt eller revnet pose, er der risiko for, at der trænger støv ind i motoren. Dette kan resultere i sammenbrud af motoren.
- Lad være med at folde pappet ved dets åbning, når De monterer papirpakken.
- Smid aldrig støvstopperen ud, da den skal anvendes gentagne gange, hver gang enten støvposen eller papirpakken anvendes.
- Papirpakker til støvsugeren er en vigtig del til at opretholde støvsugerens ydelse. Anvendelse af andre papirpakker end originale papirpakker kan være årsag til rogdannelse eller antændelse.

ANVENDELSE

⚠ FORSIGTIG:

- For at tilslutte tilbehørsdele, som for eksempel mundstykket, skal man dreje og isætte tilbehørsdelen i retningen vist med pilen for at sikre, at den sidder fast under brugen. For at frigøre tilbehørsdelen, skal man ligeledes dreje og udtrække delen i retningen vist med pilen. (Fig. 24)

Rengøring (sugning)

Mundstykke (Fig. 25)

Sæt mundstykket på, når De vil rengøre borde, skriveborde, møbler og lignende. Mundstykket sættes nemt på.

Mundstykke + forlængerstav (lige rør) (Fig. 26)

Forlængerstaven kan sættes ind mellem mundstykket og selve støvsugeren. Dette arrangement er bekvemt ved rengøring af et gulv, så man ikke behøver bøje sig under støvsugningen.

Hjørnemundestykke (Fig. 27)

Monter hjørnemundstykket til rengøring af hjørner og sprækker i en bil eller møbler.

Hjørnemundestykke + forlængerstav (lige rør) (Fig. 28)

Anvend dette arrangement på trange steder, hvor selve støvsugeren ikke kan komme ind, eller i højden, hvor det er svært at nå op.

VEDLIGEHOLDELSE

⚠ FORSIGTIG:

- Sørg altid for, at der er slukket for støvsugeren, inden inspektion eller vedligeholdelse påbegyndes.

Efter brug (Fig. 29)

Når støvsugeren ikke skal anvendes, skal den hænges op i en håndstrop på et søm.

BEMÆRK:

- Hvis støvsugeren stilles mod væggen uden yderligere støtte, kan den vælte og lide skade. (Fig. 30)

Rengøring (Fig. 31 og 32)

Aftør fra tid til anden ydersiden (støvsugerens ydre) af støvsugeren med en klud, som er fugtet med sæbevand. Rengør ligeledes sugeåbningen, monteringsdelen på støvposen/papirpakken og støvstopperen.

⚠ FORSIGTIG:

- Anvend aldrig benzin, rensebenzin, fortynder, alkohol og lignende. Resultatet kan blive misfarvning, deformation eller revner.

Vask støvposen i sæbevand, når den er tilstoppet af støv og støvsugerydelsen er mindsket. Tør den grundigt inden brug. Et pose, der ikke er ordentligt tørret, kan give dårlig sugning og afkorte motorens levetid.

BEMÆRK:

- Papirpakken er af smid-væk typen.

Når svampefilteret er tilstoppet af støv, skal det fjernes fra støvsugeren og derefter aftørres eller vaskes med vand.

Afmontering og montering af svampefilter (Fig. 33 og 34)

Svampefilteret fjernes ved at man fjerner støvposen eller papirpakken og derefter trykker det sammen og tager det ud.

Tryk hele kanten på svampefilteret ind mod den tilbagetrukne væg inden i monteringsdelen på støvposen/papirpakken.

⚠ FORSIGTIG:

- Sørg for, efter at svampefilteret er rengjort, at montere det på støvsugeren. Hvis det er blevet vasket i vand, skal det tørre, inden det påmonteres. Et svampefilter, der ikke er ordentligt tørret, kan afkorte motorens levetid.

Ting, der skal kontrolleres, inden man bestiller reparation

Symptom	Del, der skal undersøges	Fastgørelsesmetode
Svag sugekraft	<ul style="list-style-type: none">• Er støvposen eller papirpakken fuld af støv ?• Er støvposen tilstoppet ?• Er papirpakken tilstoppet ?• Er akkuen udtjent ?	<ul style="list-style-type: none">• Tøm støvposen eller papirpakken.• Afstøv eller vask støvposen.• Udskift papirpakken.• Oplad akkuen.
Fungerer ikke	<ul style="list-style-type: none">• Er akkuen udtjent ?	<ul style="list-style-type: none">• Oplad akkuen.

BEMÆRK:

- Forsøg ikke selv at reparere støvsugeren.

For at opretholde produktets SIKKERHED og PÅLIDELIGHED bør reparation, vedligeholdelse og justering kun udføres af et Makita servicecenter med anvendelse af original Makita udskiftningsdele.

TILBEHØR

FORSIGTIG:

- Dette ekstraudstyr eller tilbehørsdele anbefales til brug med Deres Makita støvsuger, som er specificeret i denne brugervejledning. Anvendelse af andet tilbehør eller ekstraudstyr kan udgøre en risiko for personskade. Anvend kun tilbehør og ekstraudstyr til det beskrevne formål.

Henvend Dem gerne til det lokale Makita-servicecenter, hvis De har behov for hjælp med hensyn til flere detaljer om disse tilbehørsdele.

- Forlængerstav (lige rør)
- Mundstykke
- Mundstykke til støvsugning af tæppe
- Børste til støvsugning af hylde
- Hjørnemundstykke
- Rund børste
- Fleksibel slange
- Papirpakke
- Forskellige typer ægte batterier og opladere fra Makita

Περιγραφή γενικής άποψης

1 Κασέτα μπαταρίας	8 Αναστολέας σκόνης	14 Θάλαμος ηλεκτρικής σκούπας
2 Κουμπί	9 Άνω πλευρά του αναστολέα σκόνης	15 Χάρτινη σακούλα
3 Κουμπί ΥΨΗΛΟ/ΧΑΜΗΛΟ	10 Κάτω πλευρά του αναστολέα σκόνης	16 Ακροφύσιο
4 Κουμπί OFF	11 Αύλακα	17 Ηλεκτρική σκούπα
5 Λυχνία φορτίου μπαταρίας	12 Σάκος σκόνης	18 Ράβδος προέκτασης
6 Μπροστινό κάλυμμα	13 Κάτω αύλακα	19 Ακροφύσιο γωνιών
7 Ένωση μπροστινού καλύμματος		20 Σπογγώδες φίλτρο
		21 Τοίχωμα με τις σοσέξες

ΤΕΧΝΙΚΑ ΧΑΡΑΚΤΗΡΙΣΤΙΚΑ

Μοντέλο		CL072D	CL102D
Χωρητικότητα	με σάκο σκόνης	0,50 L	
	με χάρτινη σακούλα	0,33 L	
Συνεχής χρήση	ΥΨΗΛΟ	Περίπου 8 λεπτά	Περίπου 13 λεπτά
	ΧΑΜΗΛΟ	Περίπου 16 λεπτά	Περίπου 21 λεπτά
Συνολικό μήκος		984 χιλ	
Καθαρό βάρος		1,0 κιλά	1,1 κιλά
Ονομαστική τάση		DC 7,2 V	DC 10,8 V

- Λόγω του ότι καταβάλλομε προσπάθειες μέσω της έρευνας και περαιτέρω εξέλιξης για τα προϊόντα μας επιφυλασσομένθα σχετικά με τροποποιήσεις για τα τεχνικά χαρακτηριστικά που αναφέρονται εδώ.
- Τα τεχνικά χαρακτηριστικά και η κασέτα μπαταρίας μπορεί να διαφέρουν από χώρα σε χώρα.
- Βάρος, με κασέτα μπαταρίας, σύμφωνα με τη διαδικασία EPTA 01/2003

ENE017-1

Προοριζόμενη χρήση

Το εργαλείο προορίζεται για τη συλλογή ξηρής σκόνης.

ENA005-3

ΣΗΜΑΝΤΙΚΟ

ΟΔΗΓΙΕΣ ΑΣΦΑΛΕΙΑΣ

Κατά τη χρήση μιας ηλεκτρικής συσκευής, θα πρέπει να τηρούνται πάντα οι βασικές προφυλάξεις, συμπεριλαμβανομένων των ακόλουθων:

ΔΙΑΒΑΣΤΕ ΟΛΕΣ ΤΙΣ ΟΔΗΓΙΕΣ ΠΡΙΝ ΑΠΟ ΤΗ ΧΡΗΣΗ ΑΥΤΗΣ ΤΗΣ ΣΥΣΚΕΥΗΣ.

ΠΡΟΕΙΔΟΠΟΙΗΣΗ – Προς μείωση του κινδύνου πυρκαγιάς, ηλεκτροπληξίας ή τραυματισμού:

1. Να μην εκτίθεται σε βροχή. Να φυλάσσεται σε εσωτερικό χώρο.
2. Δεν επιτρέπεται η χρήση της ως παιχνίδι. Απαιτείται ιδιαίτερη προσοχή κατά τη χρήση από ή κοντά σε παιδιά.
3. Να χρησιμοποιείται μόνο σύμφωνα με τις οδηγίες του παρόντος εγχειριδίου. Να χρησιμοποιούνται μόνο τα παρελκόμενα που συνιστά ο κατασκευαστής.

4. **Να μη χρησιμοποιείται με μπαταρία που έχει υποστεί βλάβη.** Εάν η συσκευή δεν λειτουργεί όπως θα έπρεπε, έχει υποστεί πτώση ή βλάβη, έχει αφεθεί σε εξωτερικό χώρο ή έχει πέσει μέσα σε νερό, να επιστραφεί σε κέντρο σέρβις. **Μη χειρίζεστε τη συσκευή με βρεγμένα χέρια.**
5. **Μην τοποθετείτε κανένα αντικείμενο μέσα στις οπές.** **Μη την χρησιμοποιείτε εάν παρουσιαστεί έμφραξη κάποιου ανοίγματος, να την διατηρείτε χωρίς ίχνη σκόνης, χνούδια, τρίχες και οτιδήποτε ενδέχεται να προκαλέσει μείωση της ροής του αέρα.**
7. **Φροντίστε ώστε να μην πλησιάζετε τις οπές και τα κινούμενα εξαρτήματα της συσκευής σε μαλλιά, χαλαρά είδη ρουχισμού, δάχτυλα και όλα τα μέρη του σώματος.**
8. **Να απενεργοποιείτε όλα τα στοιχεία ελέγχου πριν από την αφαίρεση της μπαταρίας.**
9. **Να προσέχετε ιδιαίτερα, όταν καθαρίζετε σκαλοπάτια.**
10. **Να μη χρησιμοποιείται για τη συλλογή εύφλεκτων ή καύσιμων υγρών, όπως βενζίνη, ή να χρησιμοποιείται σε χώρους παρουσία αυτών.**
11. **Για επαναφόρτιση, να χρησιμοποιείται μόνο ο φορτιστής που παρέχεται από τον κατασκευαστή.**
12. **Να μη χρησιμοποιείται για τη συλλογή οποιουδήποτε αντικείμενου αιγείται ή αναδίδει καπνό, όπως τσιγάρα, σπίρτα ή θερμές στάγτες.**
13. **Να μη χρησιμοποιείται χωρίς τη χρήση φίλτρων.**
14. **Μη φορτίζετε τη μπαταρία σε εξωτερικό χώρο.**
15. **Η συσκευή αυτή δεν προορίζεται για χρήση από άτομα (συμπεριλαμβανομένων παιδιών) με μειωμένες σωματικές, αισθητικές ή διανοητικές ικανότητες, ή έλλειψη πείρας και γνώσεων, εκτός εάν υπόκεινται σε επίτηρηση ή τους έχουν δοθεί οδηγίες που αφορούν τη χρήση της συσκευής, από το άτομο που είναι υπεύθυνο για την ασφάλειά τους.**

16. Τα παιδιά θα πρέπει να υπόκεινται σε επιτήρηση, ώστε να διασφαλιστεί ότι δεν θα χρησιμοποιήσουν τη συσκευή ως παιχνίδι.

ΦΥΛΑΞΤΕ ΤΙΣ ΟΔΗΓΙΕΣ ΑΥΤΕΣ.

Η συσκευή αυτή προορίζεται για οικιακή χρήση.

ENB114-2

ΕΠΙΠΛΕΟΝ ΚΑΝΟΝΕΣ ΑΣΦΑΛΕΙΑΣ

1. Διαβάστε προσεκτικά το παρόν εγχειρίδιο χρήσης όπως και το εγχειρίδιο χρήσης του φορτιστή πριν από τη χρήση.
2. Μην τα ακόλουθα υλικά:
 - Καυτά υλικά όπως αναμμένα τσιγάρα ή μεταλλική σκόνη/ρινίσματα που παράγονται από λείανση/κοπή μετάλλων
 - Εύφλεκτα υλικά όπως βενζίνη, διαλυτικό, πετρελαϊκό αιθέρα, κηροζίνη ή χρώματα
 - Εκρηκτικά υλικά όπως νιτρογλυκερίνη
 - Αναφλέξιμα υλικά όπως αλουμίνιο, ψευδάργυρο, μαγνήσιο, τιτάνιο, φώσφορο ή κινηματογραφικό φιλμ
 - Υγρές ακαθαρσίες, νερό, έλαιο ή παρόμοιες ουσίες
 - Αιχμηρά τεμάχια σκληρών υλικών, όπως ροκανίδια, μέταλλα, πέτρες, γυαλιά, καρφιά, πινέζες ή ξυραφάκια
 - Σκόνη η οποία σβωλιάζει όπως το τσιμέντο ή το τόνερ
 - Αγώγιμη σκόνη όπως μέταλλο ή άνθρακα
 - Μικρά σωματίδια όπως σκόνη σκυροδέματος

Αυτή η ενέργεια ενδέχεται να προκαλέσει πυρκαγιά, τραυματισμό ή/και ζημία στην σε περιουσιακά στοιχεία.

3. Διακόψτε τη λειτουργία αμέσως, μόλις παρατηρήσετε οτιδήποτε μη φυσιολογικό.
4. Σε περίπτωση που το ηλεκτρικό σκουπάκι υποστεί πτώση ή κτύπημα, ελέγξτε το προσεκτικά για ρωγμές ή βλάβη πριν από τη λειτουργία.
5. Μην πλησιάζετε σε θερμάστρες ή άλλες πηγές θερμότητας.
6. Μην φράσετε την οπή εισαγωγής ή τις οπές αερισμού.

ΦΥΛΑΞΤΕ ΤΙΣ ΟΔΗΓΙΕΣ ΑΥΤΕΣ.

ENC007-6

ΣΗΜΑΝΤΙΚΕΣ ΟΔΗΓΙΕΣ ΑΣΦΑΛΕΙΑΣ

ΓΙΑ ΚΑΣΕΤΑ ΜΠΑΤΑΡΙΑΣ

1. Πριν χρησιμοποιήσετε την κασέτα μπαταρίας, διαβάστε όλες τις οδηγίες και σημειώσεις προφύλαξης (1) στον φορτιστή μπαταρίας, (2) στην μπαταρία και (3) στο προϊόν που χρησιμοποιείτε την μπαταρία.
2. Μην αποσυναρμολογήσετε την κασέτα μπαταρίας.
3. Εάν ο χρόνος λειτουργίας έχει γίνει υπερβολικά βραχύς, σταματήστε την λειτουργία αμέσως. Αλλιώς, μπορεί να έχει ως αποτέλεσμα κίνδυνο υπερθέρμανσης, πιθανά εγκαύματα ή ακόμη και έκρηξη.

4. Εάν ηλεκτρολύτης μπει στα μάτια σας, ξεπλύνετε τα με καθαρό νερό και ζητήστε ιατρική φροντίδα αμέσως. Αλλιώς, μπορεί να έχει ως αποτέλεσμα απώλεια της όρασης σας.
5. Μη βραχυκυκλώνετε την κασέτα μπαταρίας:
 - (1) Μην αγγίζετε τους πόλους με κάποιο αγώγιμο υλικό.
 - (2) Αποφύγετε να αποθηκεύετε την κασέτα μπαταρίας μέσα σε ένα δοχείο μαζί με άλλα μεταλλικά αντικείμενα όπως καρφιά, νομίσματα, κλπ.
 - (3) Μην εκθέτε την κασέτα μπαταρίας στο νερό ή στη βροχή.Ενα βραχυκύκλωμα μπαταρίας μπορεί να προκαλέσει μεγάλη ροή ρεύματος, υπερθέρμανση, πιθανά εγκαύματα ακόμη και σοβαρή βλάβη.
6. Μην αποθηκεύετε το εργαλείο και την κασέτα μπαταρίας σε τοποθεσίες όπου η θερμοκρασία μπορεί να φτάσει ή να ξεπεράσει τους 50°C.
7. Μη πετάξετε στη φωτιά την κασέτα μπαταρίας ακόμη και εάν έχει σοβαρή ζημία ή είναι εντελώς φθαρμένη.
Η κασέτα μπαταρίας μπορεί να εκραγεί στην φωτιά.
8. Προσέχετε να μη ρίξετε κάτω ή χτυπήσετε την μπαταρία.
9. Μην χρησιμοποιείτε μπαταρία που έχει υποστεί ζημία.

ΦΥΛΑΞΤΕ ΤΙΣ ΟΔΗΓΙΕΣ ΑΥΤΕΣ.

Συμβουλές για διατήρηση μέγιστης ζωής μπαταρίας

1. Φορτίζετε την κασέτα μπαταρίας πριν από την πλήρη αποφόρτιση της.
Πάντοτε σταματάτε την λειτουργία του εργαλείου και φορτίζετε την κασέτα μπαταρίας όταν παρατηρείτε μειωμένη ισχύ του εργαλείου.
2. Ποτέ μην επαναφορτίζετε μία πλήρως φορτισμένη κασέτα μπαταρίας. Υπερφόρτιση μειώνει την ωφέλιμη ζωή της μπαταρίας.
3. Φορτίζετε την κασέτα μπαταρίας σε θερμοκρασία δωματίου 10°C – 40°C. Αφήστε μία θερμή κασέτα μπαταρίας να κρυώσει πριν την φορτίσετε.

ΠΕΡΙΓΡΑΦΗ ΛΕΙΤΟΥΡΓΙΑΣ

⚠️ ΠΡΟΣΟΧΗ:

- Πάντοτε βεβαιώνετε ότι το εργαλείο είναι σβηστό και η κασέτα μπαταρίας έχει αφαιρεθεί πριν ρυθμίσετε ή ελέγξετε κάποια λειτουργία στο εργαλείο.

Τοποθέτηση ή αφαίρεση της κασέτας μπαταρίας

Για Μοντέλα CL072D (Εικ. 1)

Για Μοντέλα CL102D (Εικ. 2)

- Πάντοτε σβήνετε το εργαλείο πριν βάλετε ή βγάλετε την κασέτα μπαταρίας.
- Για να αφαιρέσετε τη κασέτα μπαταρίας, τραβήξτε τη έξω από το μηχάνημα ενώ πιέζετε τα πλήκτρα και τις δύο πλευρές της κασέτας.

- Για να εισάγετε την κασέτα μπαταρίας, κρατήστε την ώστε το μπροστινό άκρο της κασέτας να εφαρμοστεί στο άνοιγμα του διαμερίσματος της μπαταρίας και ωθήστε την μέσα. Να φροντίζετε πάντα για την πλήρη εισαγωγή της, έως ότου ασφαλιστεί στη θέση της με ένα χαρακτηριστικό ήχο (κλικ). Εάν δεν ασφαλιστεί, ενδέχεται να πέσει από το εργαλείο τυχαία, προκαλώντας σωματική βλάβη σε εσάς ή κάποιον άλλο γύρω σας.
- Μη χρησιμοποιείτε δύναμη όταν εισάγετε την κασέτα μπαταρίας. Εάν η κασέτα δεν γλιστράει μέσα εύκολα, δεν εισάγεται με τον σωστό τρόπο.

Σύστημα προστασίας μπαταρίας

Η ηλεκτρική σκούπα διαθέτει σύστημα προστασίας, το οποίο διακόπτει αυτόματα την ισχύ εξόδου σε όλη τη μακρά διάρκεια ζωής της.

Η λειτουργία της ηλεκτρικής σκούπας ενδέχεται να διακοπεί κατά τη χρήση, όταν η ηλεκτρική σκούπα ή/και η μπαταρία βρίσκονται κάτω από τις ακόλουθες συνθήκες. Αυτό συμβαίνει λόγω ενεργοποίησης του συστήματος προστασίας και δεν υποδεικνύει δυσλειτουργία της ηλεκτρικής σκούπας.

- Όταν η ηλεκτρική σκούπα έχει υπερφορτωθεί:
Σε αυτή τη φάση, αφήστε τη σκανδάλη διακόπτη και απομακρύνετε τα αίτια της υπερφόρτωσης. Στη συνέχεια, τραβήξτε ξανά τη σκανδάλη διακόπτη για επανεκκίνηση.
- Όταν η εναπομένουσα φόρτιση της μπαταρίας είναι χαμηλή:
Επαναφορτίστε την μπαταρία.

Λειτουργία διακόπτη (Εικ. 3)

Για εκκίνηση της ηλεκτρικής σκούπας, πιέστε απλά το κουμπί “ΥΨΗΛΟ/ΧΑΜΗΛΟ”. Για απενεργοποίηση, πιέστε το κουμπί “OFF”. Για αλλαγή της ταχύτητας της ηλεκτρικής σκούπας, πιέστε το κουμπί “ΥΨΗΛΟ/ΧΑΜΗΛΟ”. Με την πρώτη πίεση του κουμπιού επιτυγχάνεται υψηλή ταχύτητα και με τη δεύτερη επιτυγχάνεται χαμηλή ταχύτητα, στη συνέχεια με κάθε πίεση του κουμπιού επιτυγχάνεται η αλλαγή ταχύτητας μεταξύ των ρυθμίσεων υψηλό/χαμηλό εναλλάξ.

Λυχνία φορτίου μπαταρίας (Εικ. 4)

- Όταν το υπολειπόμενο φορτίο της μπαταρίας είναι χαμηλό, η λυχνία φορτίου μπαταρίας αναβοσβήνει.
- Όταν το υπολειπόμενο φορτίο της μπαταρίας γίνει πολύ χαμηλό, το εργαλείο σταματάει κατά τη διάρκεια της λειτουργίας και η λυχνία φορτίου μπαταρίας ανάβει για περίπου δέκα δευτερόλεπτα. Σε αυτή τη φάση, βγάλτε την μπαταρία από το εργαλείο και φορτίστε την.

ΣΗΜΕΙΩΣΗ:

- Ο χρόνος που θα αρχίσει να αναβοσβήνει ή που θα ανάψει η λυχνία φορτίου μπαταρίας εξαρτάται από τη θερμοκρασία στο χώρο εργασίας και τις συνθήκες τις μπαταρίας.

ΣΥΝΑΡΜΟΛΟΓΗΣΗ

⚠ ΠΡΟΣΟΧΗ:

- Πάντοτε βεβαιώνεστε ότι το εργαλείο είναι σβηστό και η κασέτα μπαταρίας έχει αφαιρεθεί πριν εκτελέσετε κάποια εργασία στο εργαλείο.

Απόρριψη σκόνης (Εικ. 5, 6, 7, 8 και 9)

⚠ ΠΡΟΣΟΧΗ:

- Να αδειάζετε το ηλεκτρικό σκουπάκι πριν γεμίσει πλήρως, ή εξασθενήσει η δύναμη αναρρόφησης.
- Να φροντίζετε για το άδειασμα της σκόνης από το σωτηρικό της ίδιας της ηλεκτρικής σκούπας. Εάν δεν το κάνετε αυτό, μπορεί να βουλώσει το σπογγώδες φίλτρο ή να πάθει ζημιά το μοτέρ.
- Μην πετάτε ποτέ τον αναστολέα σκόνης επειδή πρέπει να χρησιμοποιείται όταν γίνεται χρήση του σάκου σκόνης ή της χάρτινης σακούλας.

1. Πατήστε το κουμπί για να ανοίξετε το μπροστινό κάλυμμα. Εάν συνεχίσετε να το ανοίγετε μέχρι να ακουστεί ο χαρακτηριστικός ήχος κλικ, το κάλυμμα θα σταματήσει σε αυτή τη θέση.

ΣΗΜΕΙΩΣΗ:

- Η ηλεκτρική σκούπα είναι κατασκευασμένη με τρόπο ώστε να βγαίνει το μπροστινό κάλυμμα όταν ασκείτε πίεση για να ανοίξετε το μπροστινό κάλυμμα σε γωνία μεγαλύτερη από 90°. Εάν βγει το μπροστινό κάλυμμα, τοποθετήστε το στη θέση του εισάγοντάς το στην ένωση του μπροστινού καλύμματος.

⚠ ΠΡΟΣΟΧΗ:

- Όταν κλείνετε το μπροστινό κάλυμμα, προεξέτε να μην πιαστούν τα δάχτυλά σας.
2. Τραβήξτε προς τα έξω και ταυτόχρονα τον πορτοκαλί αναστολέα σκόνης και το σάκο σκόνης.
 3. Βγάλτε τον αναστολέα σκόνης και αδειάστε την ηλεκτρική σκούπα.

Σάκος σκόνης και χάρτινη σακούλα

Τοποθετήστε το σάκο σκόνης ή τη χάρτινη σακούλα πριν χρησιμοποιήσετε την ηλεκτρική σκούπα. Χρησιμοποιήστε τον αναστολέα σκόνης όταν τοποθετείτε το σάκο σκόνης ή τη χάρτινη σακούλα. Μπορείτε να επαναχρησιμοποιήσετε το σάκο σκόνης πολλές φορές εάν τον καθαρίσετε. Η χάρτινη σακούλα είναι αναλώσιμη. Όταν γεμίσει, απορρίψτε ολόκληρη τη σακούλα χωρίς να την αδειάζετε.

Τοποθέτηση σάκου σκόνης (Εικ. 10, 11, 12, 13, 14, 15 και 16)

Χρησιμοποιήστε τον αναστολέα σκόνης όταν τοποθετείτε το σάκο σκόνης. Προεξέτε να μην μπερδέψετε την άνω πλευρά με την κάτω πλευρά επειδή είναι διαφορετικές.

1. Εισάγετε την προεξοχή του σάκου σκόνης στην αύλακα μέσα στον αναστολέα σκόνης, όπως απεικονίζεται στην εικόνα.
2. Δεν υπάρχει καμία διαφορά μεταξύ των άνω και κάτω πλευρών του σάκου σκόνης. Μπορείτε να εισάγετε την προεξοχή οποιασδήποτε πλευράς στην κάτω αύλακα του αναστολέα σκόνης.
3. Επικαλύψτε το πλαίσιο του αναστολέα σκόνης με αυτό του σάκου σκόνης.

4. Τοποθετήστε τον αναστολέα σκόνης και το σάκο σκόνης μαζί στο θάλαμο της ηλεκτρικής σκούπας προς την κατεύθυνση του βέλους στον αναστολέα σκόνης. Τοποθετήστε τα μέχρι τέρμα μέσα τις υποδοχές στο θάλαμο της ηλεκτρικής σκούπας.
5. Τοποθετήστε ολόκληρο υφασμάτινο τμήμα του σάκου σκόνης μέσα στο ίδιο το εργαλείο.
6. Κλείστε τελείως το μπροστινό κάλυμμα.

Τοποθέτηση της χάρτινης σακούλας (Εικ. 17, 18, 19, 20, 21, 22 και 23)

1. Ξεδιπλώστε την εισοδο της χάρτινης σακούλας πριν την τοποθετήσετε στον αναστολέα σκόνης.

Επίσης χρησιμοποιήστε τον αναστολέα σκόνης όταν τοποθετείτε τη χάρτινη σακούλα. Προσέξτε να μην μπερδέψετε την άνω πλευρά με την κάτω πλευρά επειδή είναι διαφορετικές.

2. Εισάγετε την προεξοχή της χάρτινης σακούλας μέσα στην αύλακα στον αναστολέα σκόνης, όπως απεικονίζεται στην εικόνα.
3. Δεν υπάρχει καμία διαφορά μεταξύ των άνω και κάτω πλευρών της χάρτινης σακούλας. Μπορείτε να εισάγετε την προεξοχή οποιασδήποτε πλευράς στην κάτω αύλακα του αναστολέα σκόνης.
4. Επικαλύψτε το πλαίσιο του αναστολέα σκόνης με αυτό της χάρτινης σακούλας.
5. Τοποθετήστε τον αναστολέα σκόνης και τη χάρτινη σακούλα μαζί στο θάλαμο της ηλεκτρικής σκούπας προς την κατεύθυνση του βέλους στον αναστολέα σκόνης. Τοποθετήστε τα μέχρι τέρμα στις υποδοχές στο θάλαμο της ηλεκτρικής σκούπας.
6. Τοποθετήστε ολόκληρο το τμήμα περιέκτη της χάρτινης σακούλας μέσα στο ίδιο το εργαλείο.
7. Κλείστε τελείως το μπροστινό κάλυμμα.

⚠️ ΠΡΟΣΟΧΗ:

- Εάν ξεχάσετε να τοποθετήσετε το σάκο σκόνης ή τη χάρτινη σακούλα, εάν δεν εισάγετε τον αναστολέα σκόνης μαζί με το σάκο σκόνης ή τη χάρτινη σακούλα μέσα στις υποδοχές μέχρι τέρμα ή εάν χρησιμοποιήσετε σακούλα που έχει υποστεί ζημιά ή έχει σκιστεί, ενδέχεται να εισχωρήσει σκόνη στο μοτέρ. Αυτό μπορεί να έχει ως αποτέλεσμα αποτυχία του μοτέρ.
- Μη διπλώνετε το χαρτόνι στο άνοιγμά του όταν τοποθετείτε τη χάρτινη σακούλα.
- Μην πετάτε ποτέ τον αναστολέα σκόνης επειδή πρέπει να χρησιμοποιείται επανειλημμένα όταν γίνεται χρήση του σάκου σκόνης ή της χάρτινης σακούλας.
- Η χάρτινη σακούλα της ηλεκτρικής σκούπας αποτελεί ένα σημαντικό εξάρτημα για τη διατήρηση της απόδοσης του εργαλείου. Η χρήση μη γνήσιας χάρτινης σακούλας μπορεί να προκαλέσει καπνούς ή ανάφλεξη.

ΛΕΙΤΟΥΡΓΙΑ

⚠️ ΠΡΟΣΟΧΗ:

- Για να τοποθετήσετε διάφορα εξάρτηματα, όπως ένα ακροφύσιο, περιστρέψτε και εισάγετε το εξάρτημα προς την κατεύθυνση του βέλους, ώστε να διασφαλιστεί η ασφαλής σύνδεση στη διάρκεια της χρήσης. Για να αφαιρέσετε το εξάρτημα, περιστρέψτε και αποσπάστε πάλι προς την κατεύθυνση του βέλους. **(Εικ. 24)**

Καθαρισμός (Αναρρόφηση)

Ακροφύσιο (Εικ. 25)

Προσαρμόστε το ακροφύσιο για να καθαρίσετε τραπέζια, γραφεία, έπιπλα, κ.λπ. Το ακροφύσιο τοποθετείται εύκολα σύροντάς το.

Ακροφύσιο + Ράβδος προέκτασης (Ευθύς σωλήνας) (Εικ. 26)

Η ράβδος προέκτασης τοποθετείται μεταξύ ακροφυσίου και ηλεκτρικής σκούπας. Ο συνδυασμός αυτός διευκολύνει στον καθαρισμό ενός δαπέδου, ενώ ο χειριστής παραμένει σε όρθια θέση.

Ακροφύσιο γωνιών (Εικ. 27)

Τοποθετήστε το ακροφύσιο γωνιών για να καθαρίσετε γωνίες και χαραμάδες σε ένα αυτοκίνητο ή έπιπλα.

Ακροφύσιο γωνιών + Ράβδος προέκτασης (Ευθύς σωλήνας) (Εικ. 28)

Χρησιμοποιήστε αυτόν το συνδυασμό σε περιορισμένους χώρους, όπου η ηλεκτρική σκούπα δεν χωρά, ή σε υψηλά σημεία όπου η πρόσβαση είναι δύσκολη.

ΣΥΝΤΗΡΗΣΗ

⚠️ ΠΡΟΣΟΧΗ:

- Να φροντίζετε πάντα για την απενεργοποίηση του εργαλείου πριν επιχειρήσετε οποιονδήποτε έλεγχο ή συντήρηση του εργαλείου.

Μετά από τη χρήση (Εικ. 29)

Όταν αποθηκεύετε την ηλεκτρική σκούπα, να την κρεμάτε σε μια πρόκα χρησιμοποιώντας τον ιμάντα χειρός.

ΣΗΜΕΙΩΣΗ:

- Εάν ακουμπήσετε την ηλεκτρική σκούπα στον τοίχο χωρίς καμία στήριξη μπορεί να πέσει και να υποστεί ζημιά. **(Εικ. 30)**

Καθαρισμός (Εικ. 31 και 32)

Περιστασιακά, καθαρίστε το εξωτερικό (σώμα ηλεκτρικής σκούπας) της σκούπας χρησιμοποιώντας ένα πανί που έχετε υγράνει με σαπουνόνερο. Καθαρίστε, επίσης, το άνοιγμα αναρρόφησης, το χώρο τοποθέτησης του σάκου σκόνης/της χάρτινης σακούλας και τον αναστολέα σκόνης.

⚠ ΠΡΟΣΟΧΗ:

- Μην χρησιμοποιείτε ποτέ βενζίνη, πετρελαϊκό αιθέρα, διαλυτικό, αλκοόλη ή παρόμοιες ουσίες. Ενδέχεται να προκληθεί αποχρωματισμός παραμόρφωση ή ρωγμές.

Πλύνετε τη σακούλα σκόνης με σαπουνό νερό όταν φράξει με σκόνη και μειωθεί η ισχύς της ηλεκτρικής σκούπας. Στεγνώστε την καλά πριν από τη χρήση. Ένας σάκος που δεν είναι απολύτως στεγνός ενδέχεται να προκαλέσει κακή αναρρόφηση και μείωση της διάρκειας ζωής του μοτέρ.

ΣΗΜΕΙΩΣΗ:

- Η χάρτινη σακούλα είναι αναλώσιμη.

Όταν το σπογγώδες φίλτρο φράξει με σκόνη, βγάλτε το από την ηλεκτρική σκούπα και σκουπίστε το ή πλύνετε το σε νερό.

Αφαίρεση και τοποθέτηση του σπογγώδους φίλτρου (Εικ. 33 και 34)

Για να βγάλετε το σπογγώδες φίλτρο, βγάλτε το σάκο σκόνης ή τη χάρτινη σακούλα και μετά πιάστε το με το δαίκτη και τον αντίχειρά σας και βγάλτε το.

Πιέστε προς τα μέσα ολόκληρο το άκρο του σπογγώδους φίλτρου προς το τοίχωμα με τις εσοχές στο εσωτερικό του χώρου τοποθέτησης του σάκου σκόνης/της χάρτινης σακούλας.

⚠ ΠΡΟΣΟΧΗ:

- Αφού καθαρίσετε το σπογγώδες φίλτρο, φροντίστε να το τοποθετήσετε στην ηλεκτρική σκούπα. Εάν το πλύνετε σε νερό, στεγνώστε το πριν την τοποθέτηση. Ένα σπογγώδες φίλτρο που δεν είναι απολύτως στεγνό ενδέχεται να προκαλέσει μείωση της διάρκειας ζωής του μοτέρ.

Τι θα πρέπει να ελέγξετε πριν ζητήσετε επισκευή

Σύμπτωμα	Περιοχή διερεύνησης	Μέθοδος επιδιόρθωσης
Ασθενής ισχύς αναρρόφησης	<ul style="list-style-type: none">• Είναι ο σάκος σκόνης ή η χάρτινη σακούλα γεμάτος/η σκόνη;• Είναι ο σάκος σκόνης φραγμένος;• Είναι η χάρτινη σακούλα φραγμένη;• Είναι η μπαταρία εξαντλημένη;	<ul style="list-style-type: none">• Αδειάστε το σάκο σκόνης ή τη χάρτινη σακούλα.• Ξεσκονίστε ή πλύνετε το σάκο σκόνης.• Αλλάξτε τη χάρτινη σακούλα.• Φορτίστε την μπαταρία.
Δεν λειτουργεί	<ul style="list-style-type: none">• Είναι η μπαταρία εξαντλημένη;	<ul style="list-style-type: none">• Φορτίστε την μπαταρία.

ΣΗΜΕΙΩΣΗ:

- Μην επιχειρήσετε να επισκευάσετε τη σκούπα μόνοι σας.

Για την διατήρηση της ΑΣΦΑΛΕΙΑΣ και ΑΞΙΟΠΙΣΤΙΑΣ του προϊόντος, επισκευές, οποιαδήποτε άλλη συντήρηση ή ρύθμιση πρέπει να εκτελούνται από τα Εξουσιοδοτημένα Κέντρα Εξυπηρέτησης της Makita, με χρήση πάντοτε ανταλλακτικών Makita.

ΠΑΡΕΛΚΟΜΕΝΑ

⚠ ΠΡΟΣΟΧΗ:

- Αυτά τα παρελκόμενα ή εξαρτήματα συνιστώνται για χρήση με την ηλεκτρική σκούπα της Makita που περιγράφεται στο παρόν εγχειρίδιο. Η χρήση οτιδήποτε άλλων εξαρτημάτων ή προσαρτημάτων μπορεί να προκαλέσει κίνδυνο τραυματισμού σε άτομα. Χρησιμοποιείτε τα εξαρτήματα ή προσαρτήματα μόνο για την χρήση που προορίζονται.

Εάν χρειάζεστε βοήθεια όσον αφορά περαιτέρω λεπτομέρειες σχετικά με τα εν λόγω παρελκόμενα, απευθυνθείτε στο τοπικό κέντρο σέρβις της Makita.

- Ράβδος προέκτασης (Ευθύς σωλήνας)
- Ακροφύσιο
- Ακροφύσιο για μοκέτα
- Βούρτσα ραφιών
- Ακροφύσιο γωνιών
- Στρογγυλή βούρτσα
- Εύκαμπτος σωλήνας
- Χάρτινη σακούλα
- Διάφοροι τύποι αυθεντικών μπαταριών και φορτιστών Makita.

Makita Corporation
Anjo, Aichi, Japan

884985-993

www.makita.com

IDE