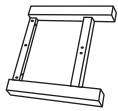
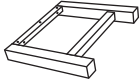


A 1pc



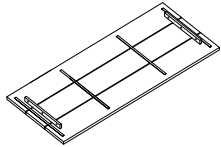
B 1pc



C 1pc

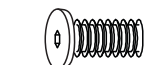


D 1pc



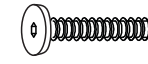
### HARDWARE

1 4pcs



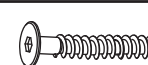
M6x20mm

2 6pcs



M8x50mm

3 4pcs



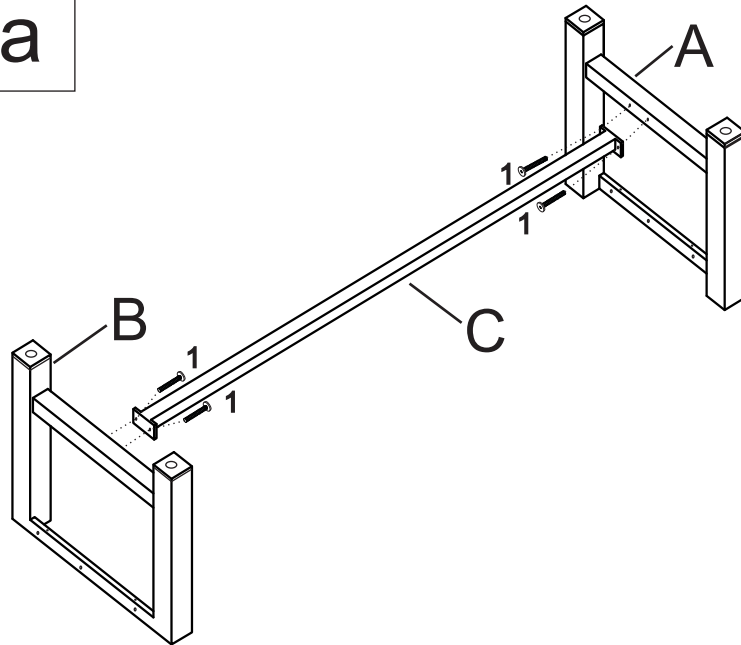
M7x80mm

4 2pcs

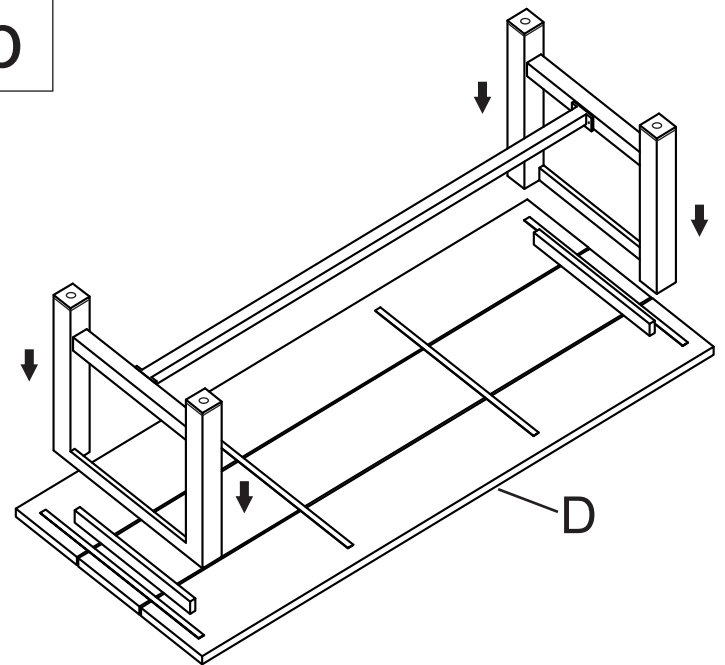


## AUFBAUANLEITUNG

a



b



c

