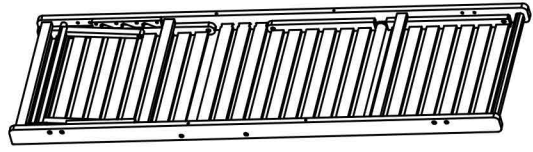
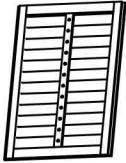


AUFBAUANLEITUNG



[01]x1



[02]x1



[03]x2



[04]x2



[05]x2



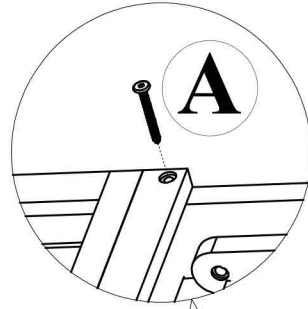
[06]x2



[07]x2

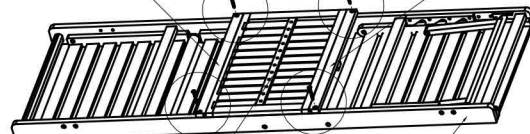
*Hardware

A		Ø6x40	x 04
B		Ø7x60	x 04
C			x 02
D		Ø8x25	x 08
E		Ø4mm	x 02



[03]

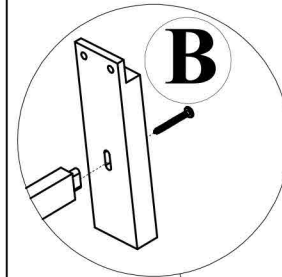
[03]



1

[02]

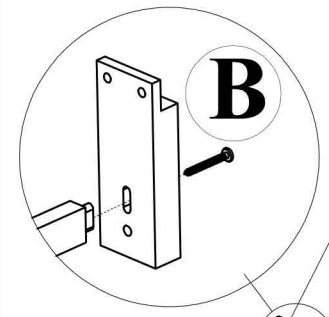
[01]



2

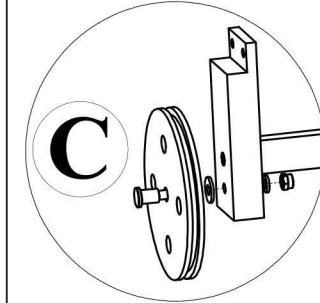
[04]

[06]



[05]

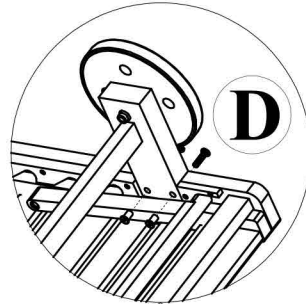
[06]



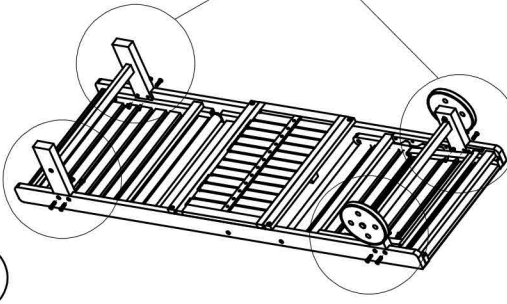
C

[07]

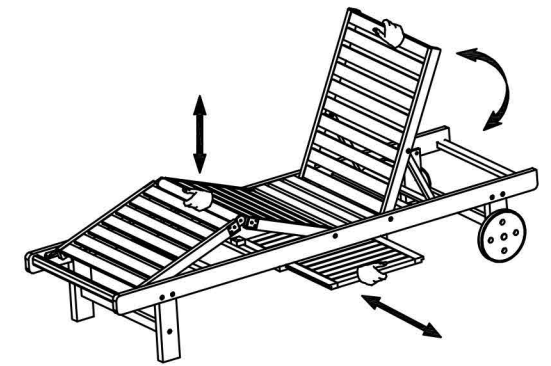
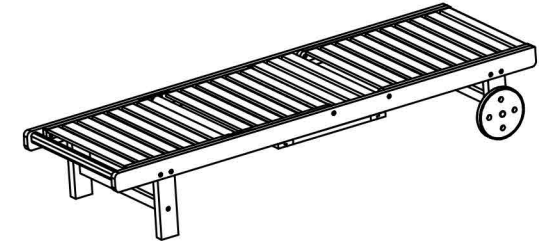
3



D



4



5