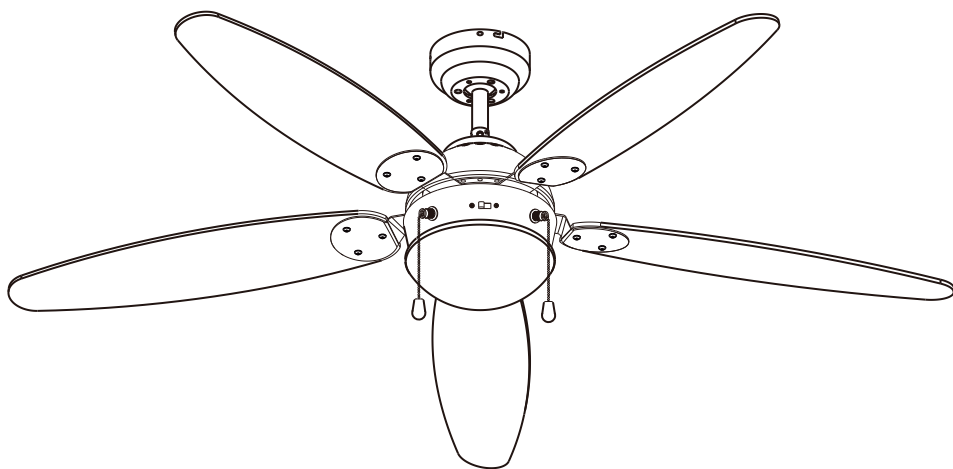


GLOBO

FAN

0308

www.globo-lighting.com

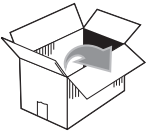


GLOBO Handels GmbH

St. Peter 38

A-9184 St.Jakob/Rosental

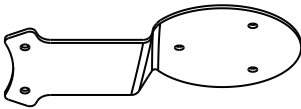




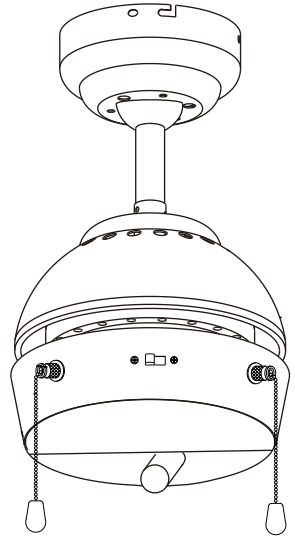
C x5



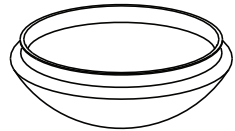
D x5



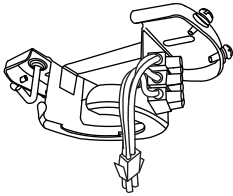
B



E



A



H



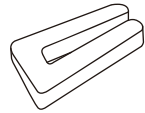
x2

N

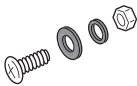


x5

M

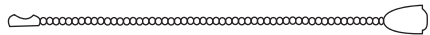


F

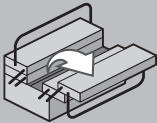


x12

G



x2



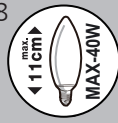
#8



*

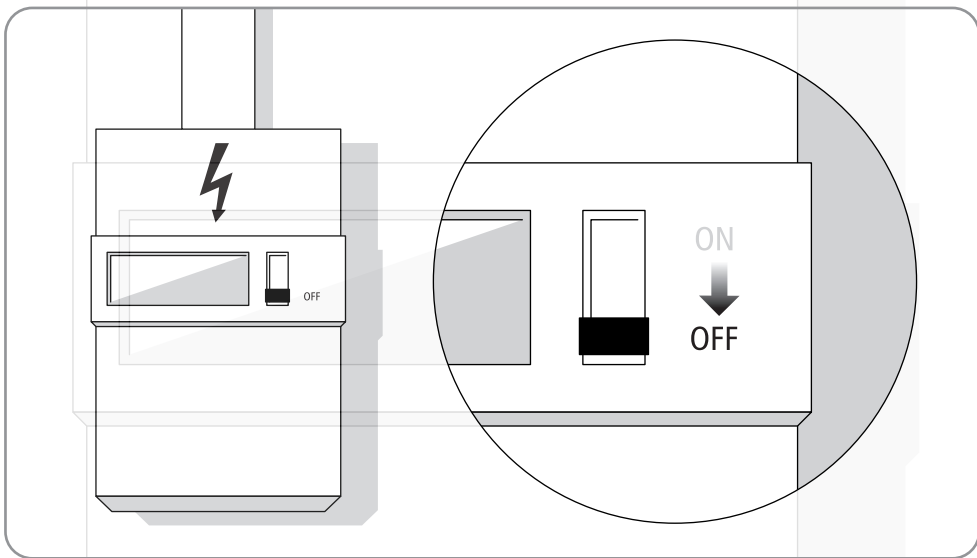
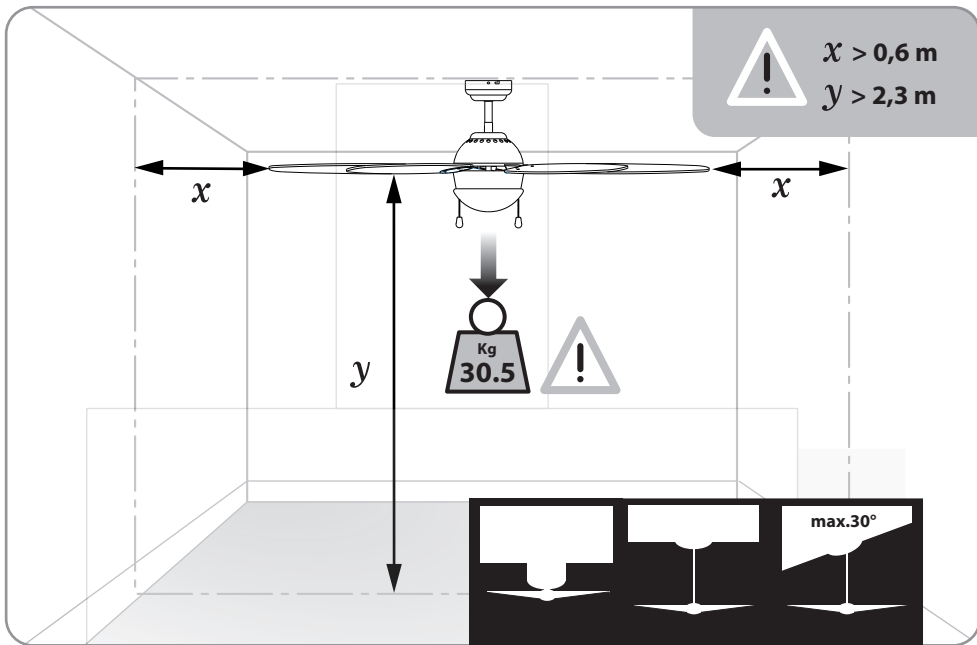


x2

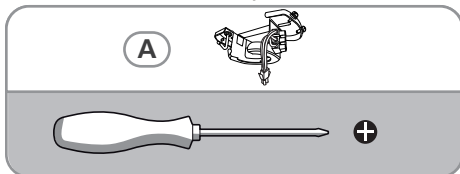
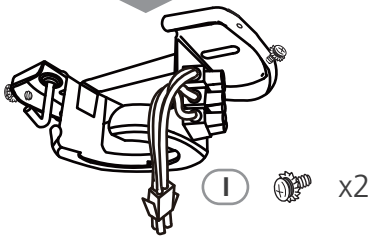
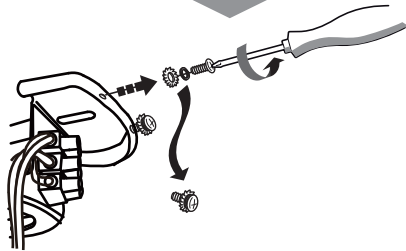
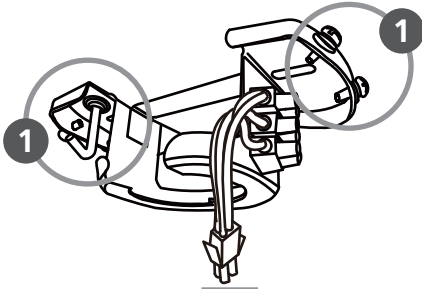


E 14

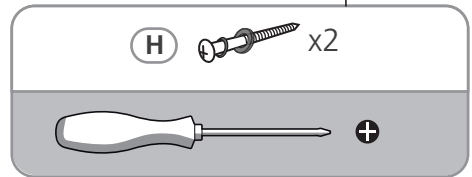
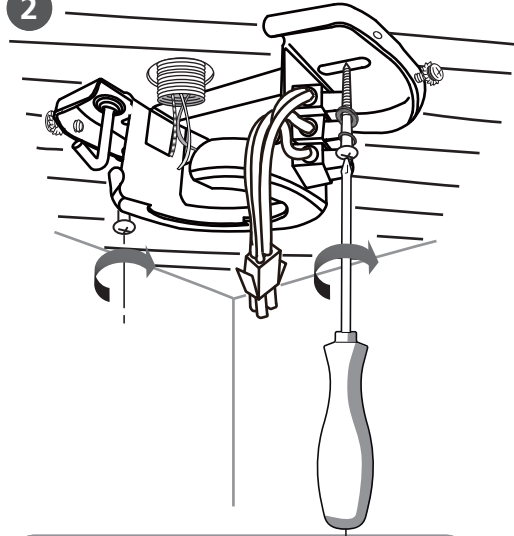




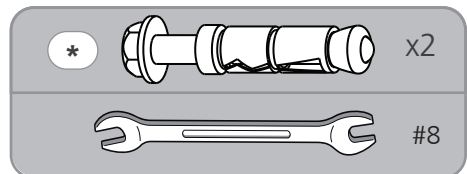
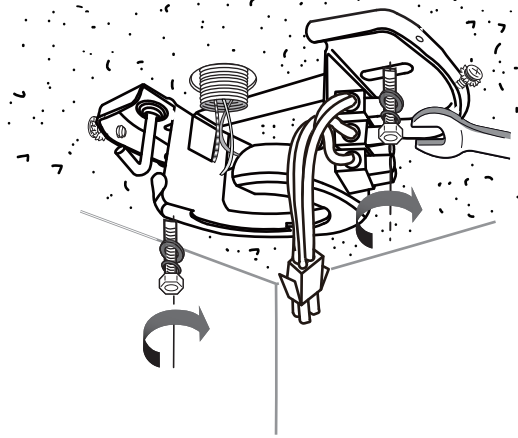
1



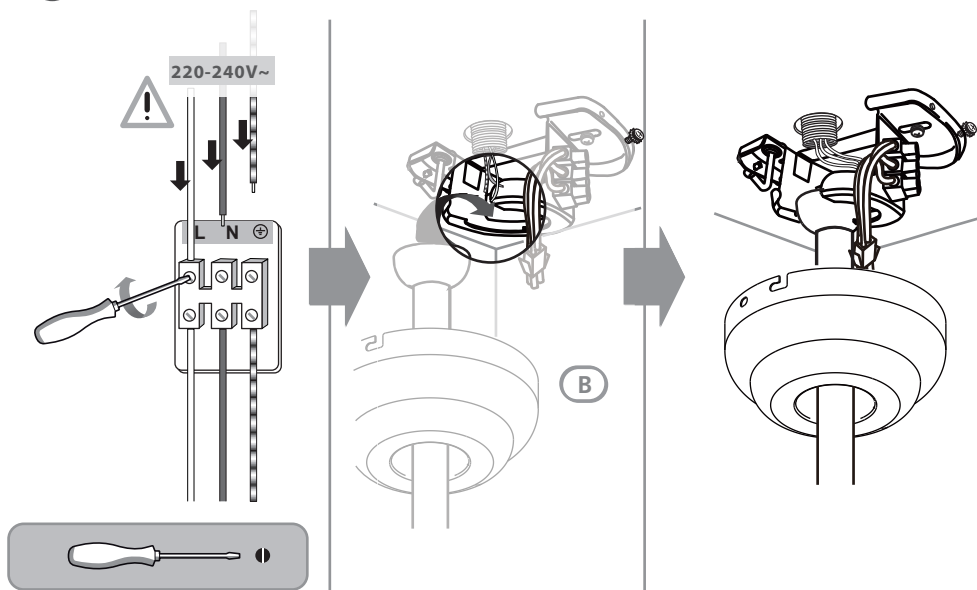
2



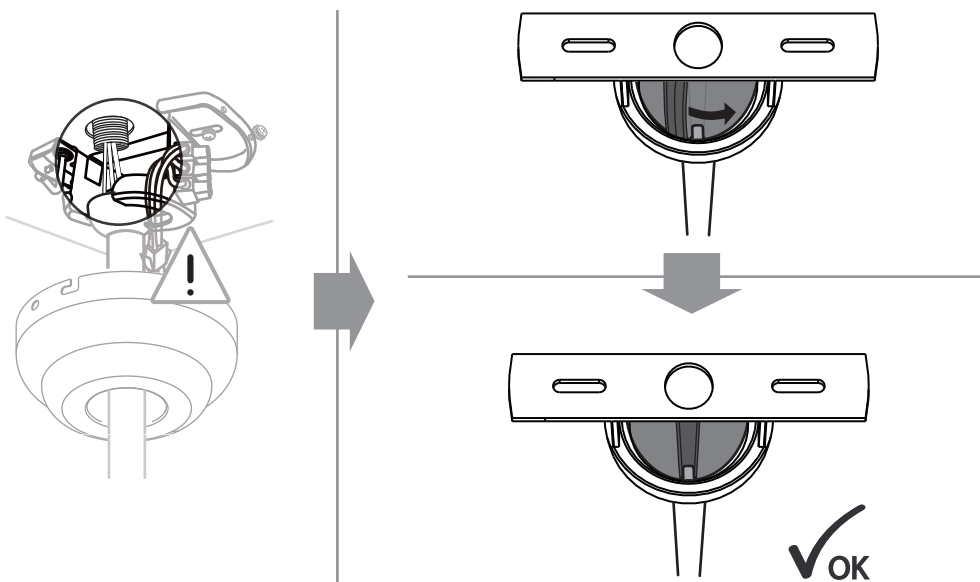
OR



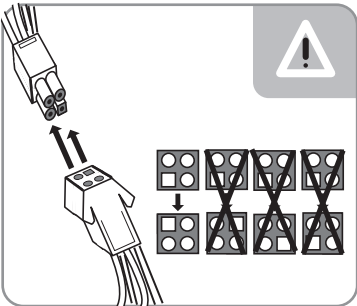
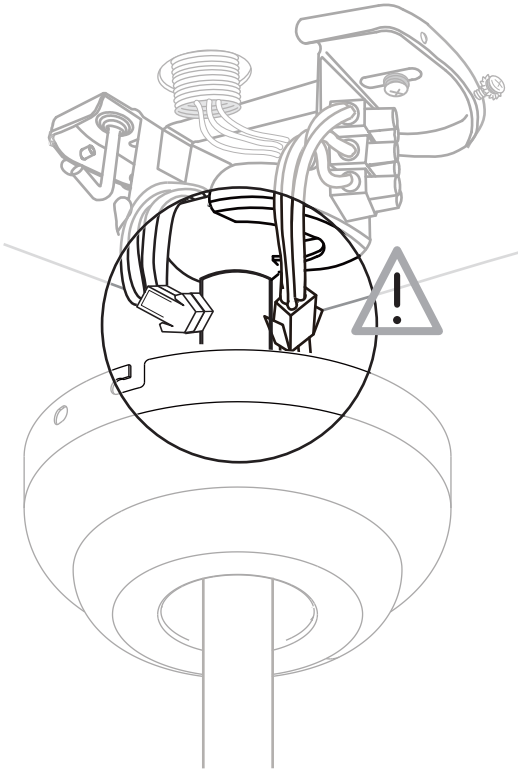
3



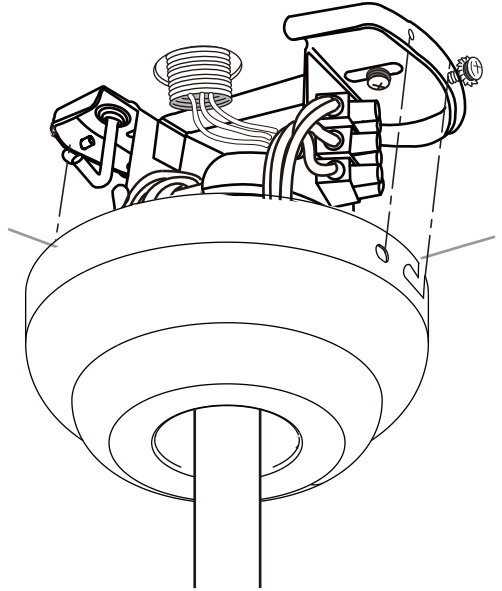
4



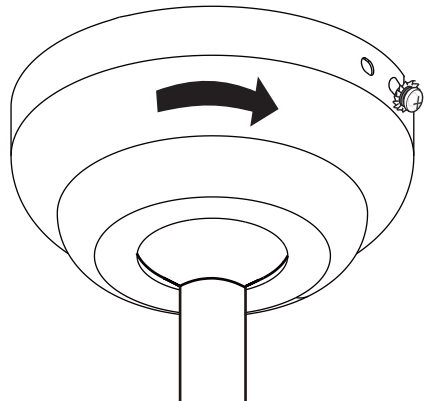
5

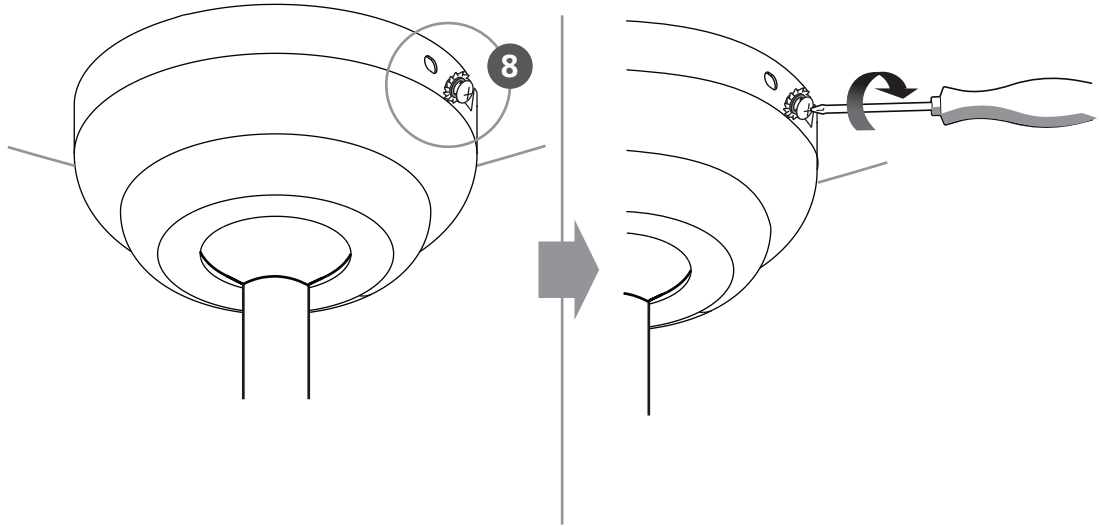


6

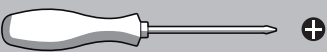
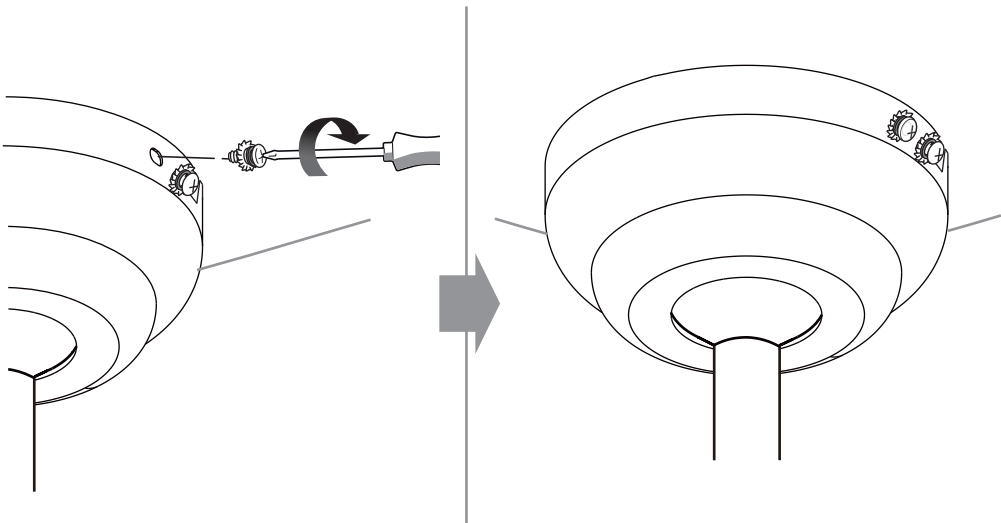


7

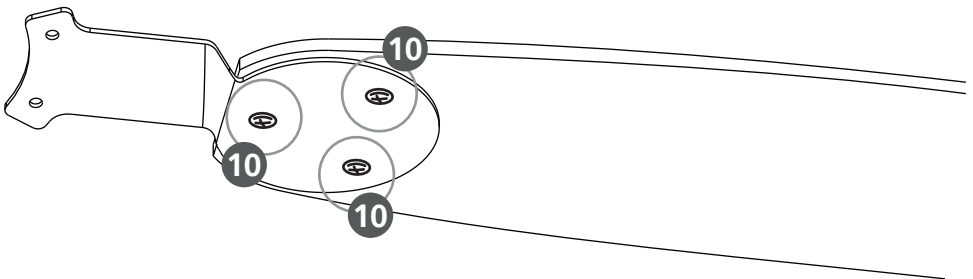
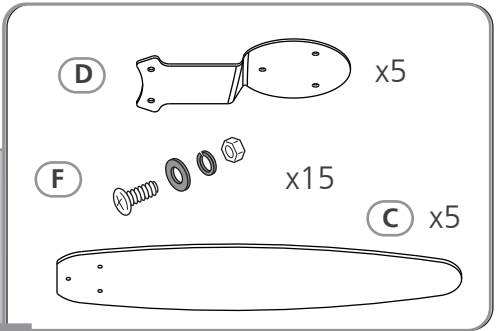
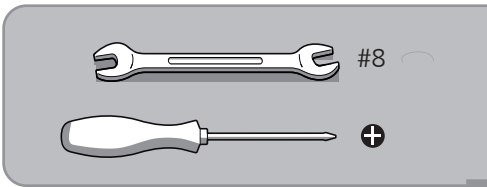
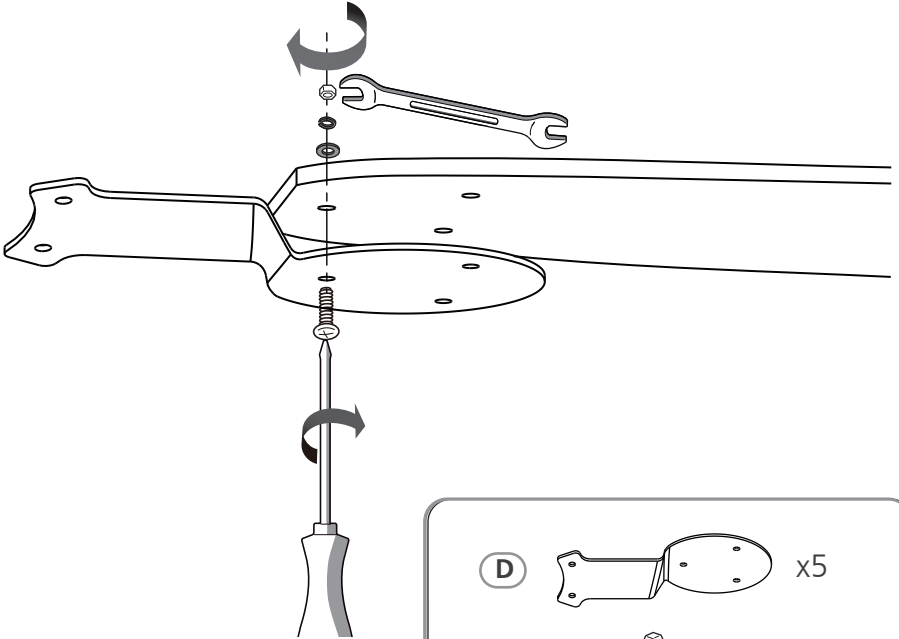




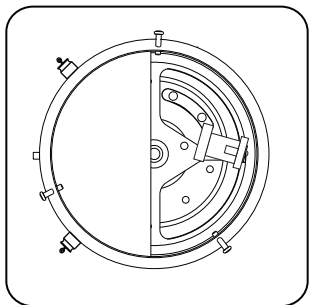
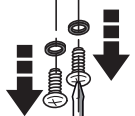
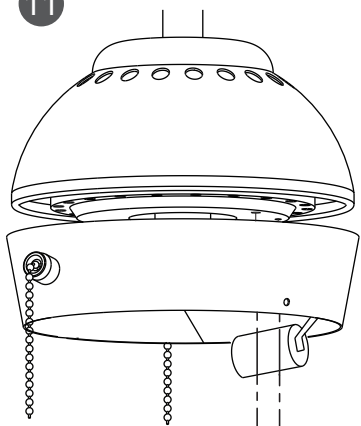
9



10



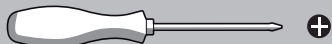
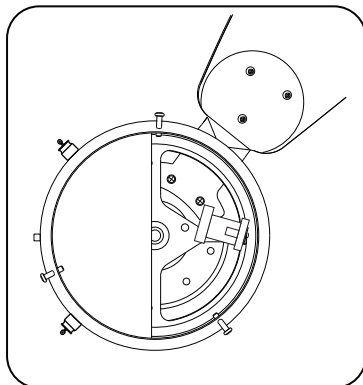
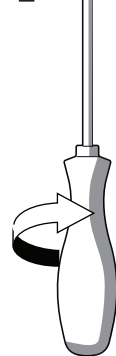
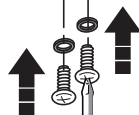
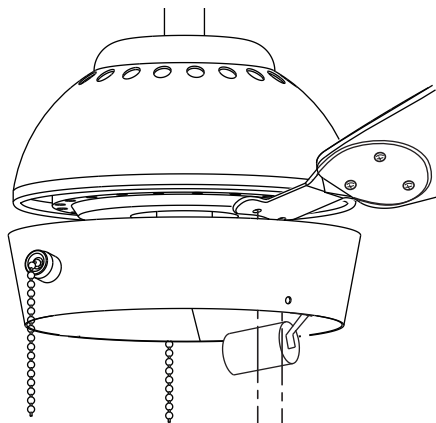
11



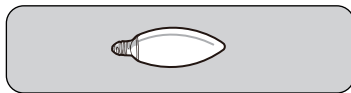
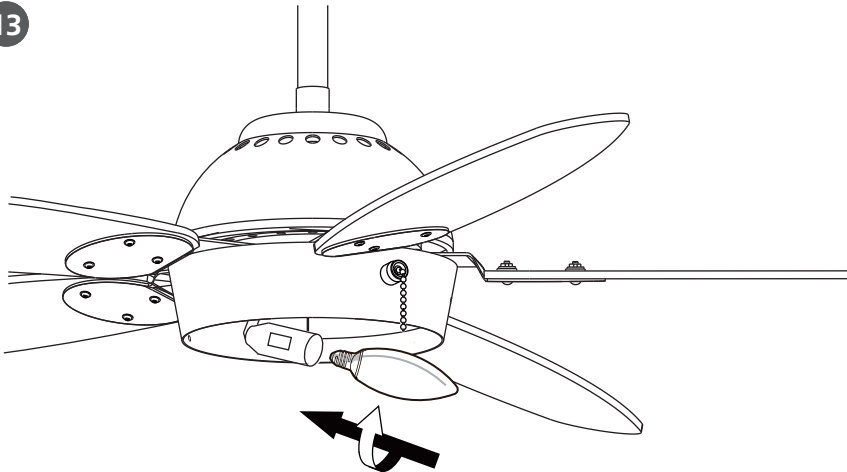
J x 10



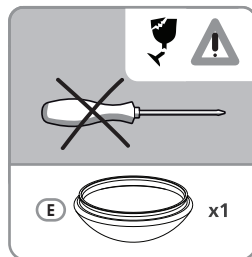
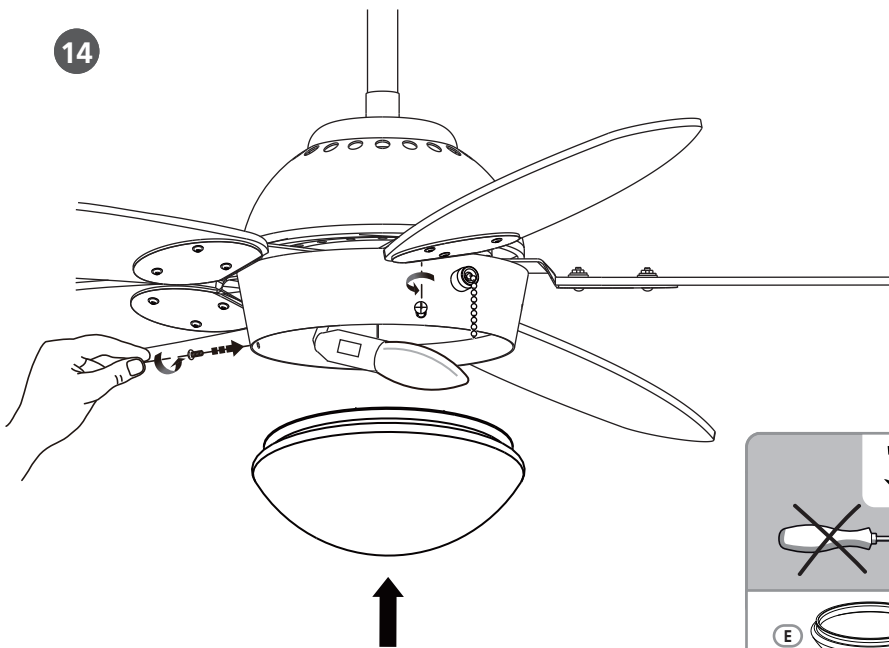
12

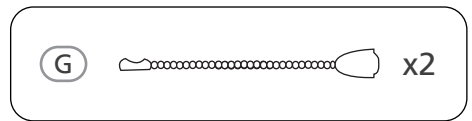
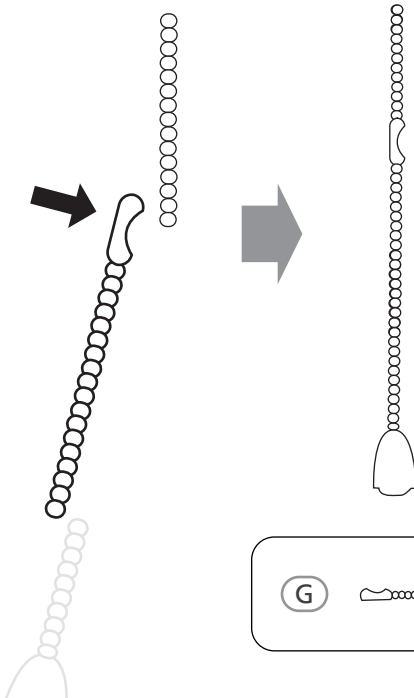
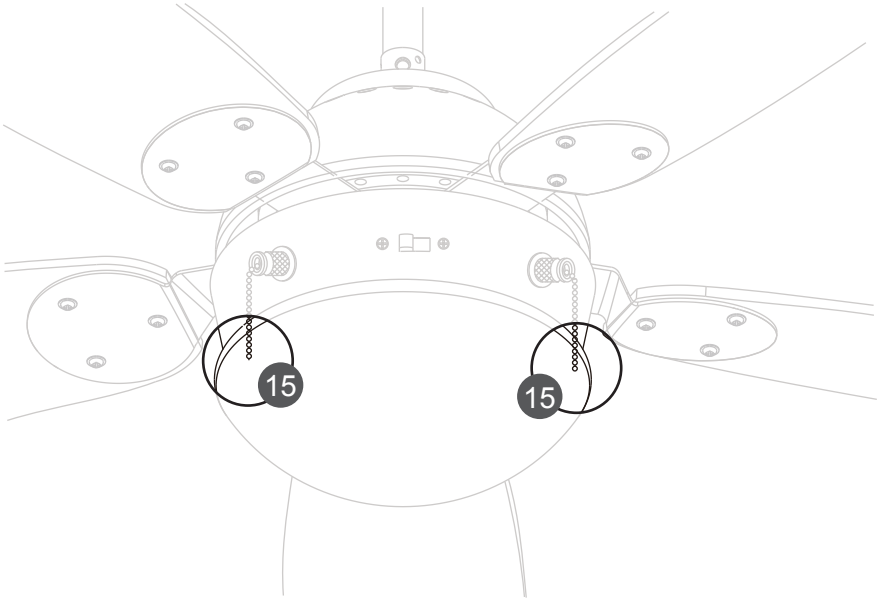


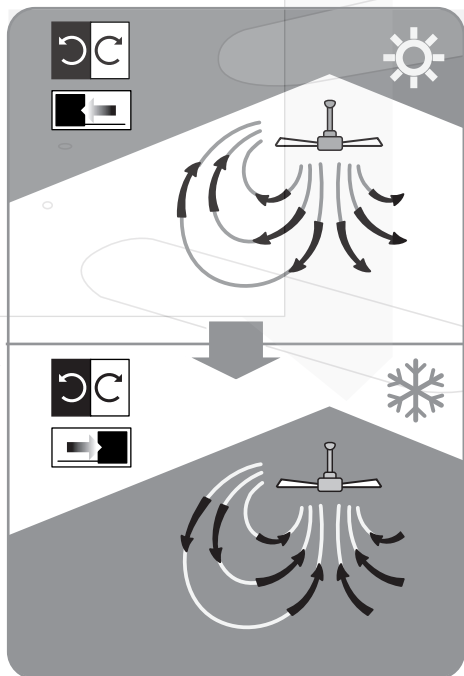
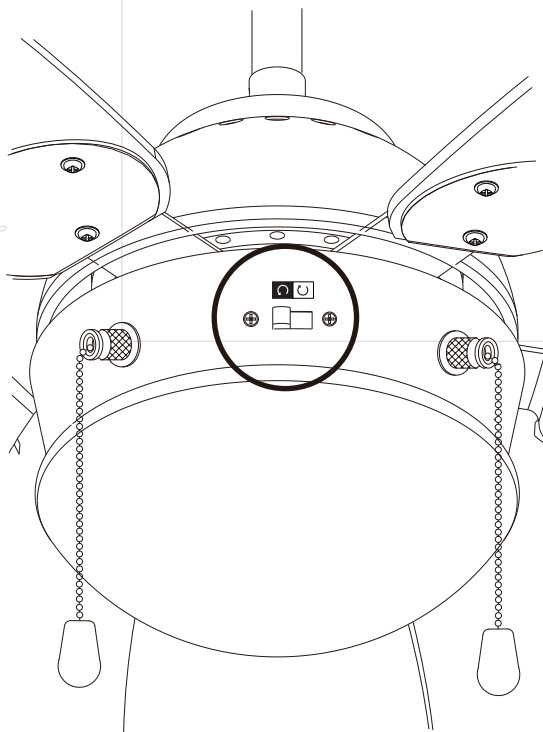
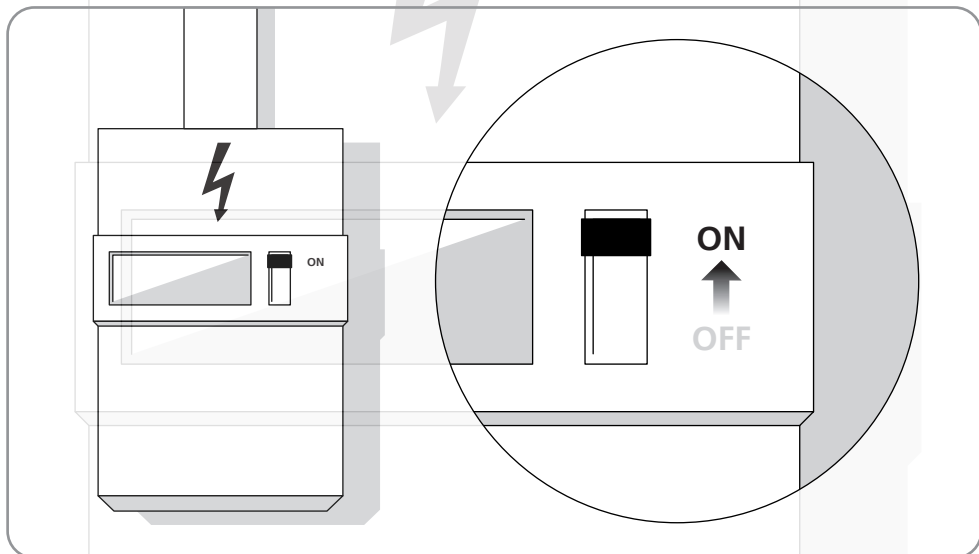
13

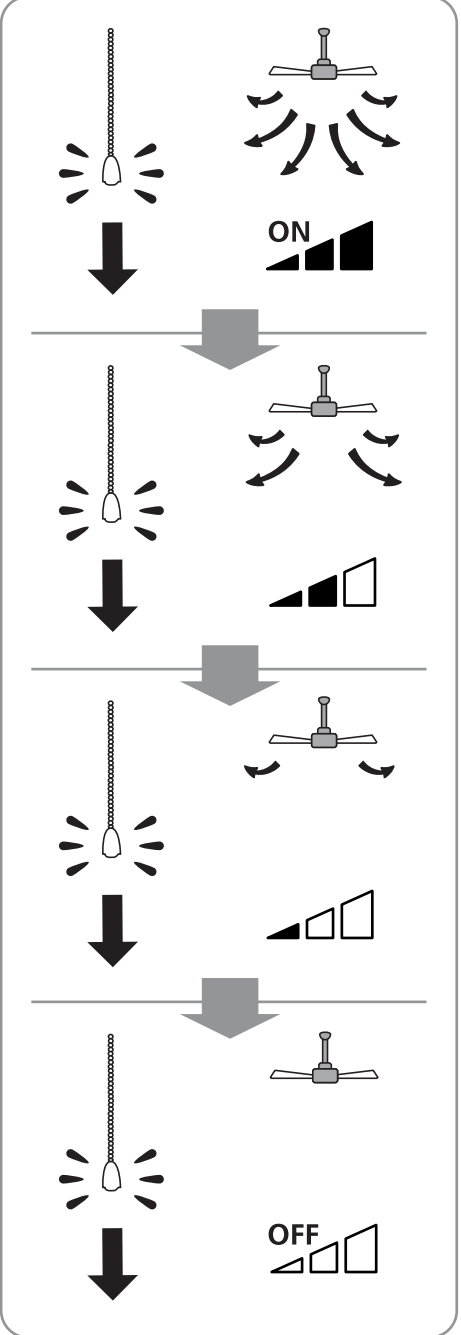
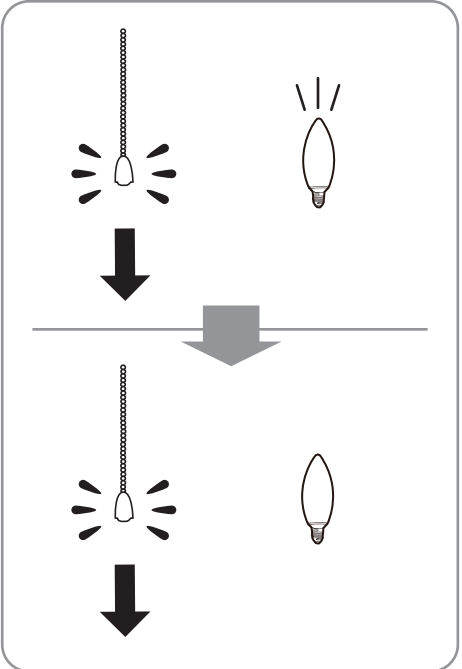
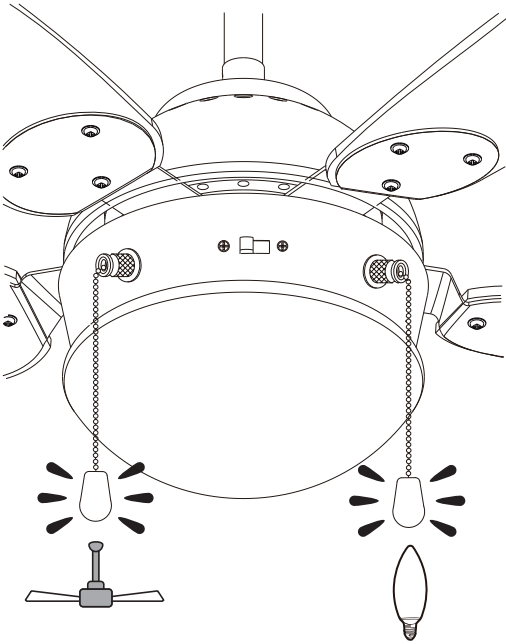


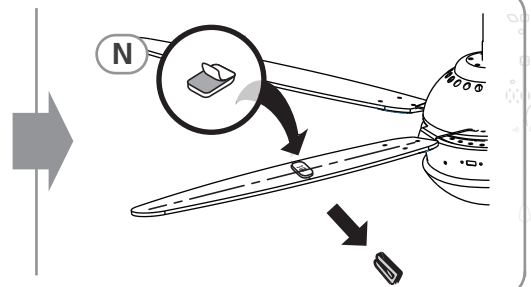
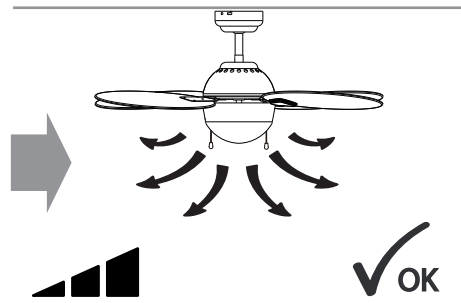
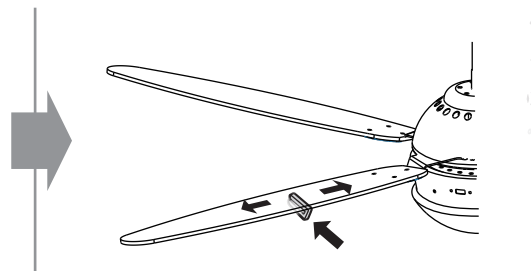
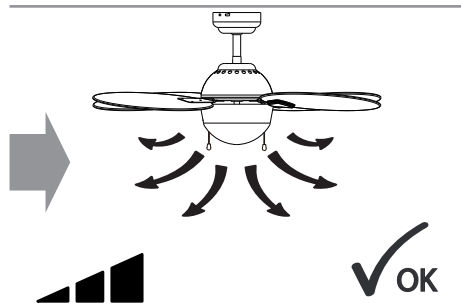
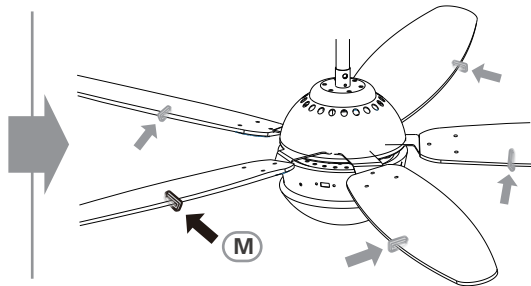
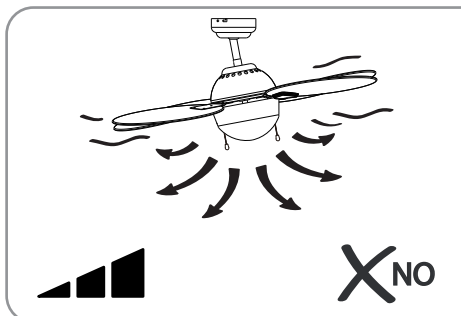
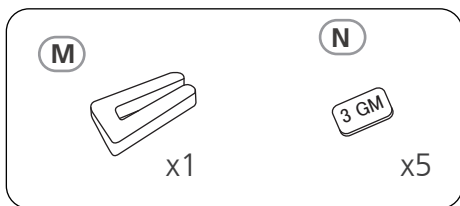
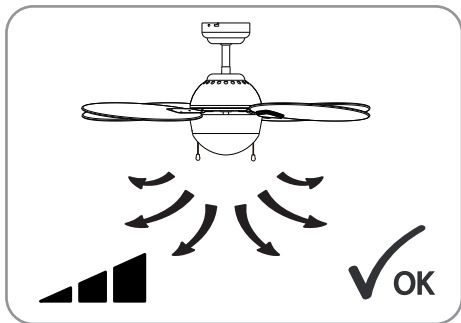
14









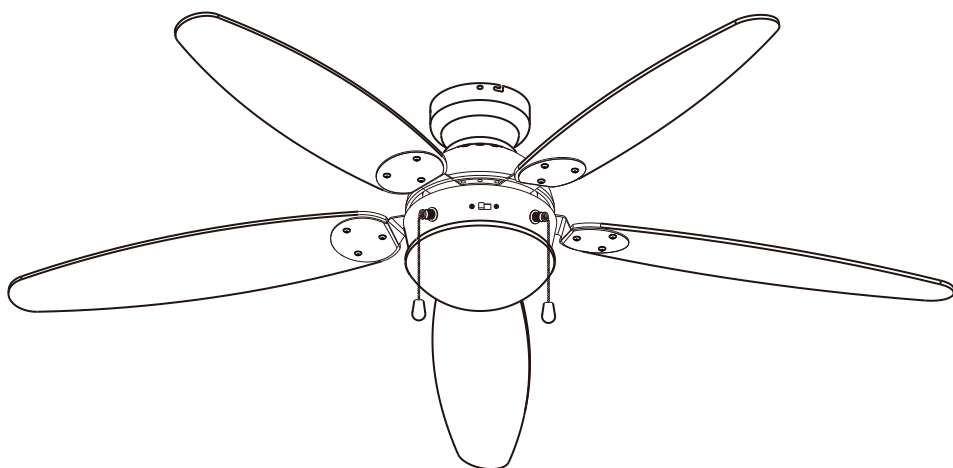


GLOBO

FAN

0308

www.globo-lighting.com

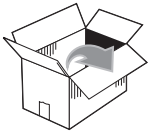


GLOBO Handels GmbH

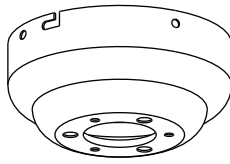
St. Peter 38

A-9184 St.Jakob/Rosental

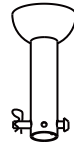




O



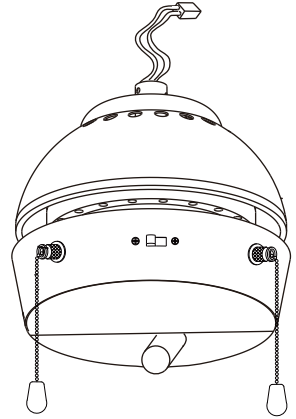
P



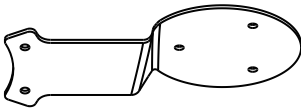
C x5



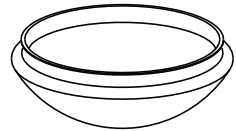
B



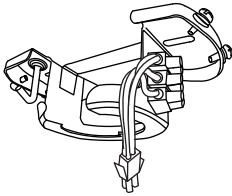
D x5



E



A



H



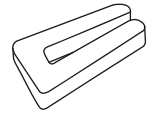
x2

N

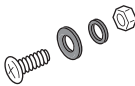


x5

M

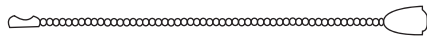


F

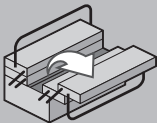


x12

G



x2



#8



*

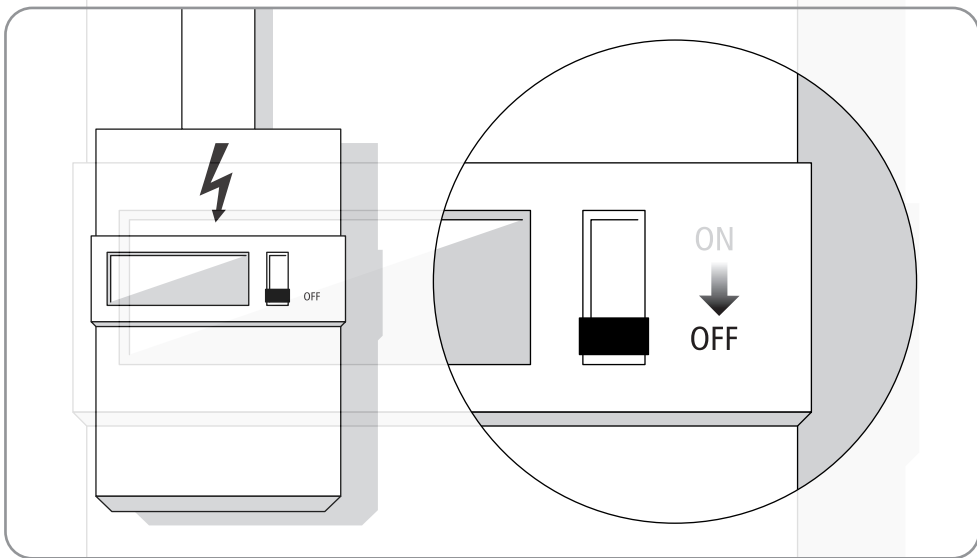
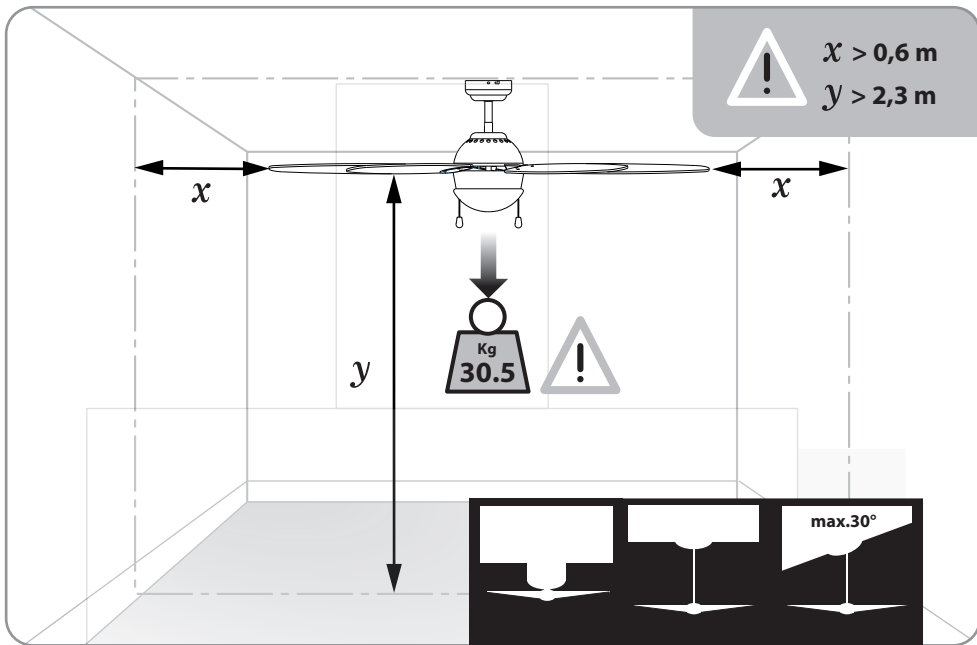


x2

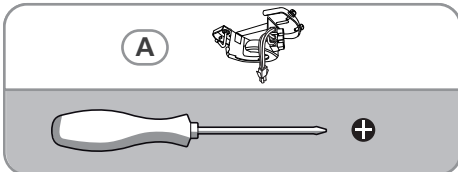
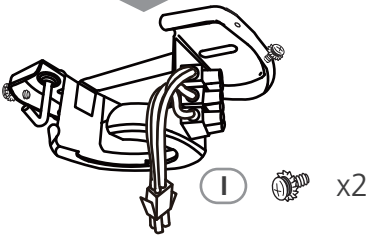
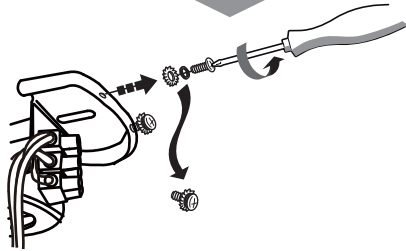
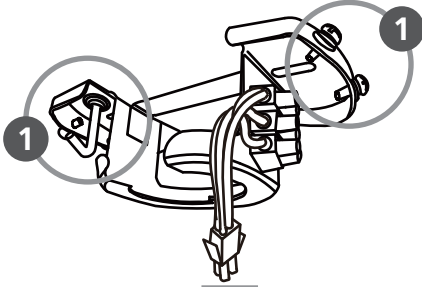


E 14

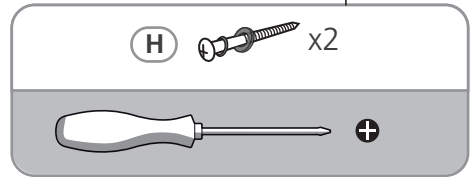
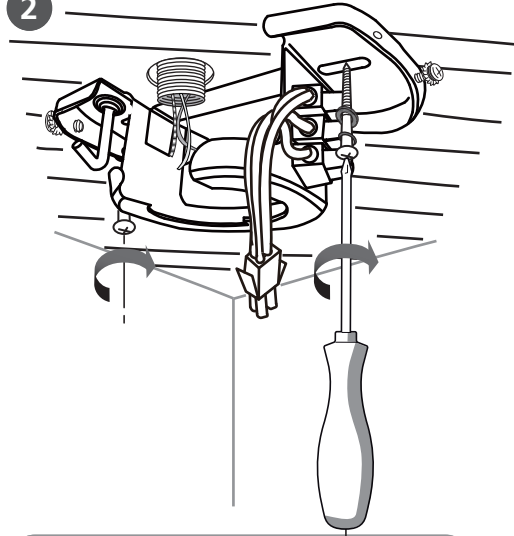




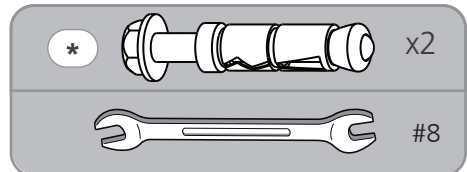
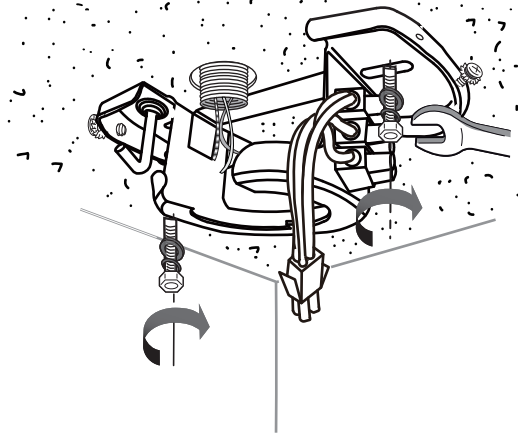
1



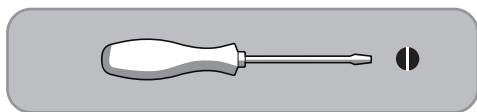
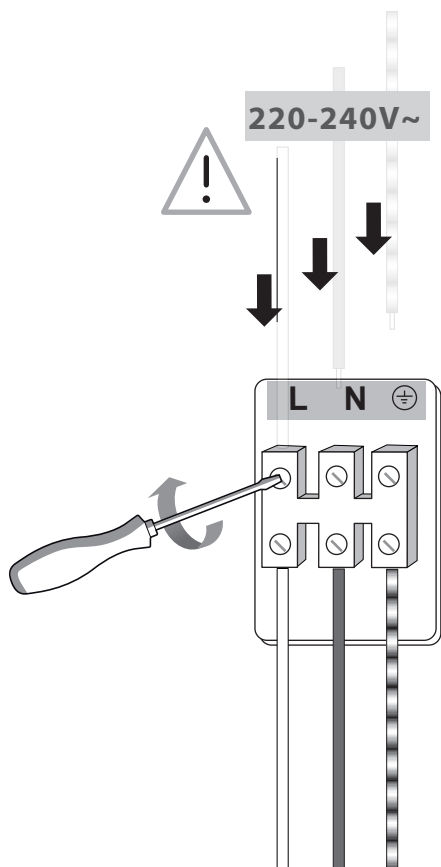
2



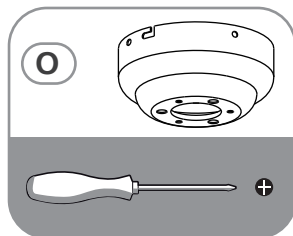
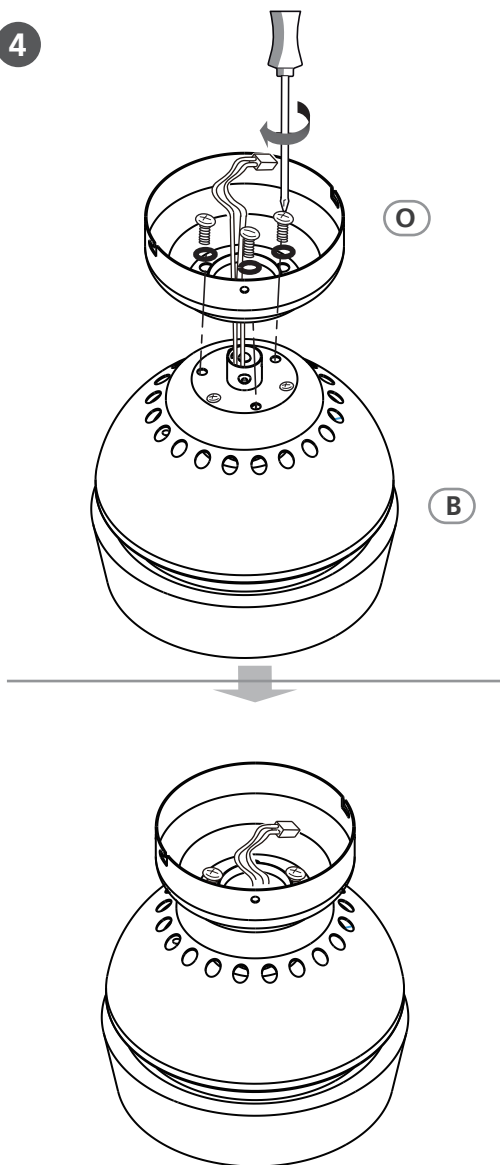
OR



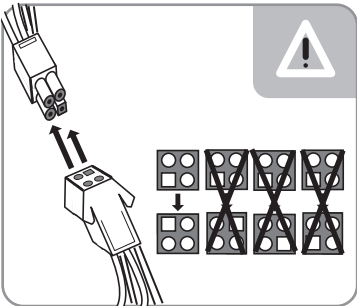
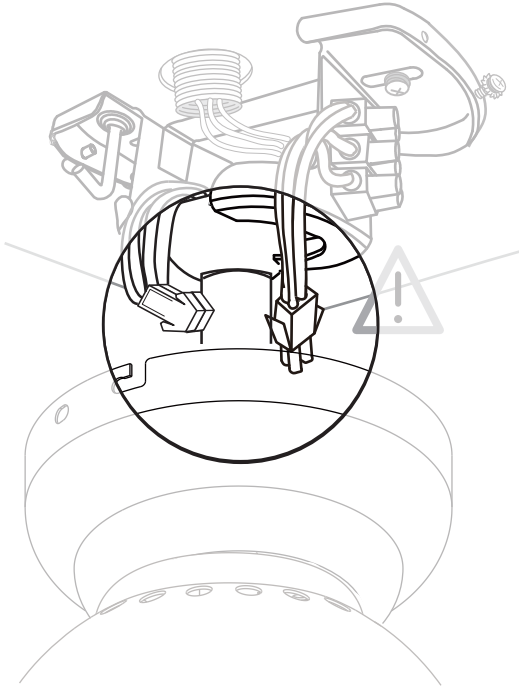
3



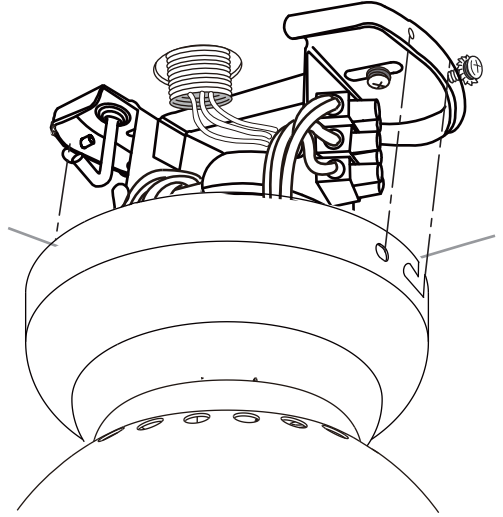
4



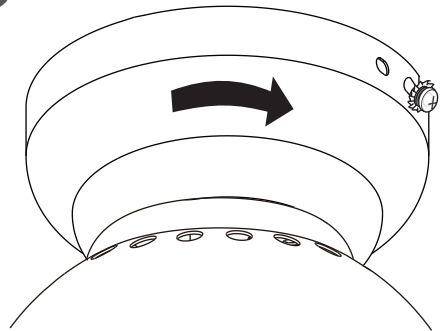
5

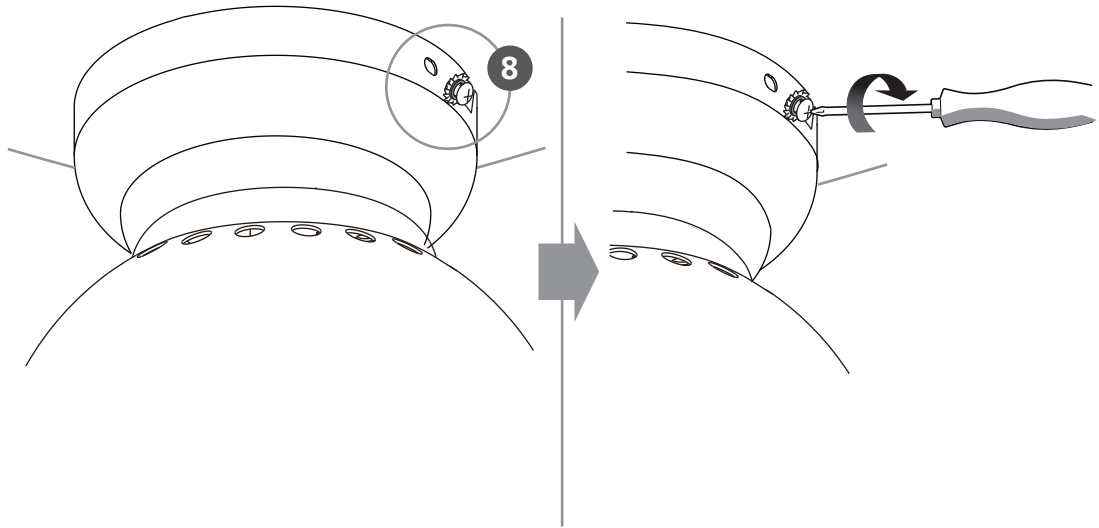


6

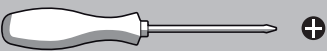
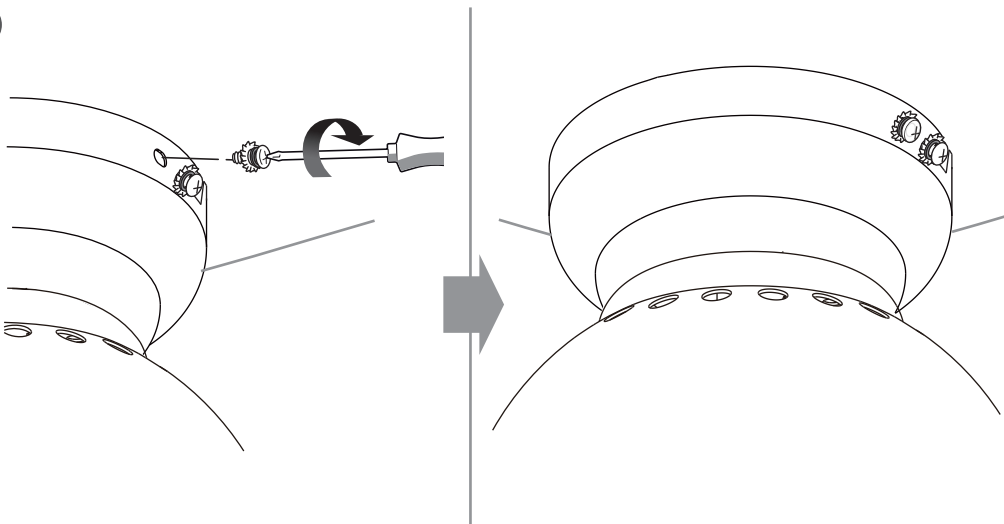


7

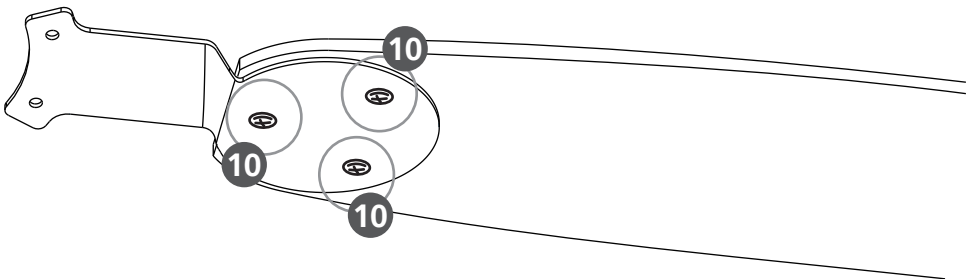
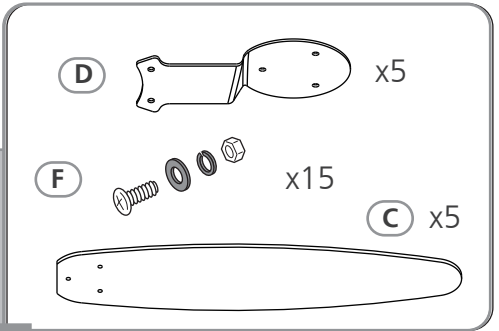
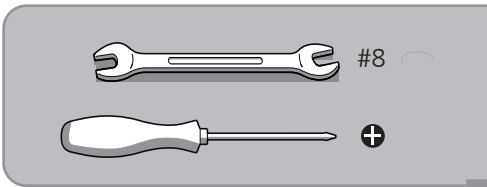
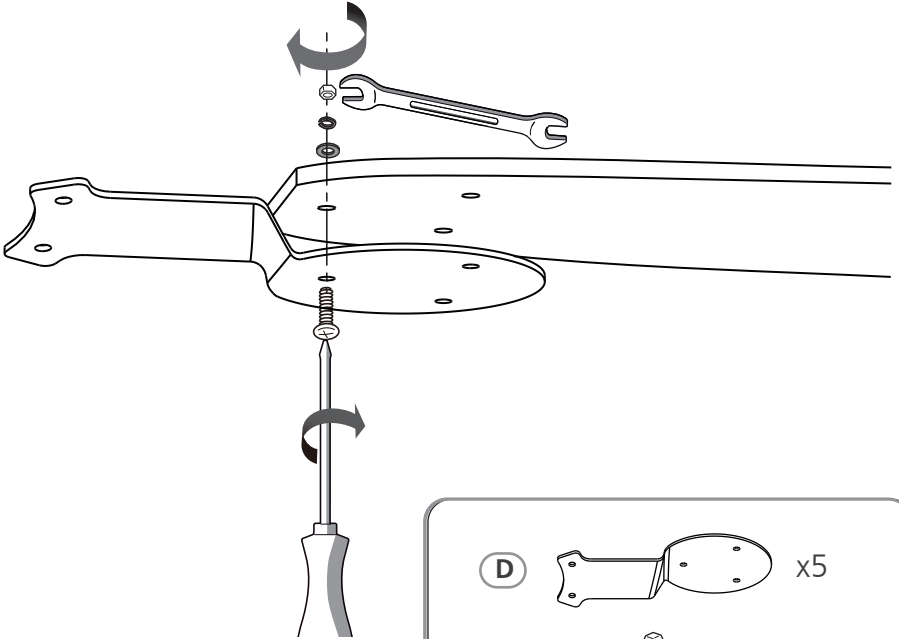




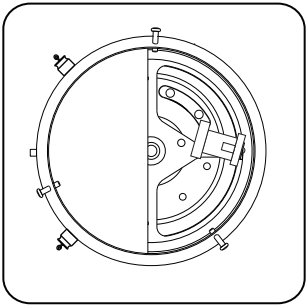
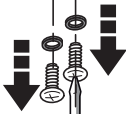
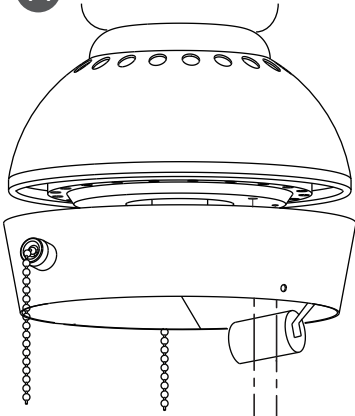
9



10



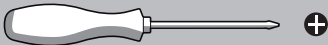
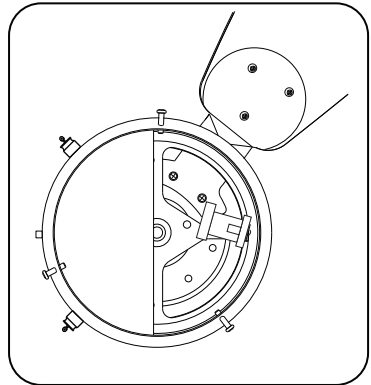
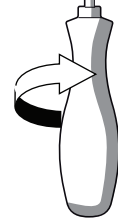
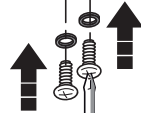
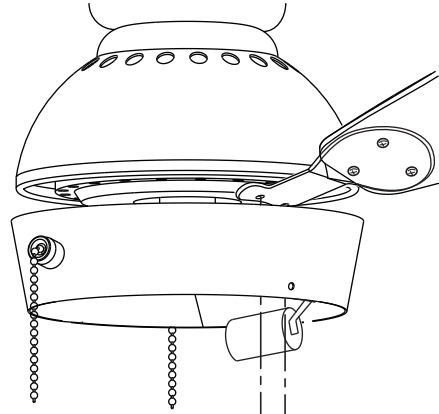
11



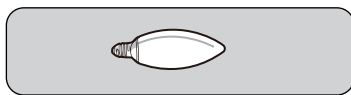
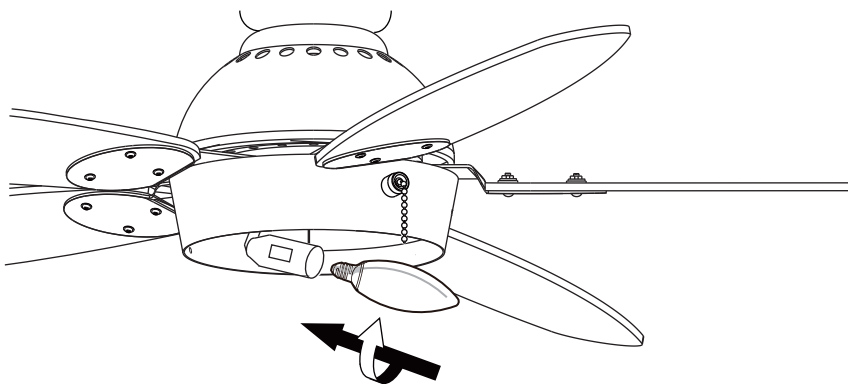
J

x 10

12



13



14

