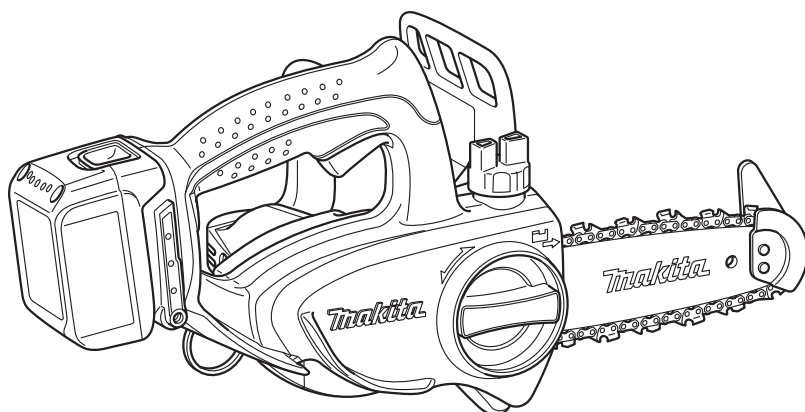
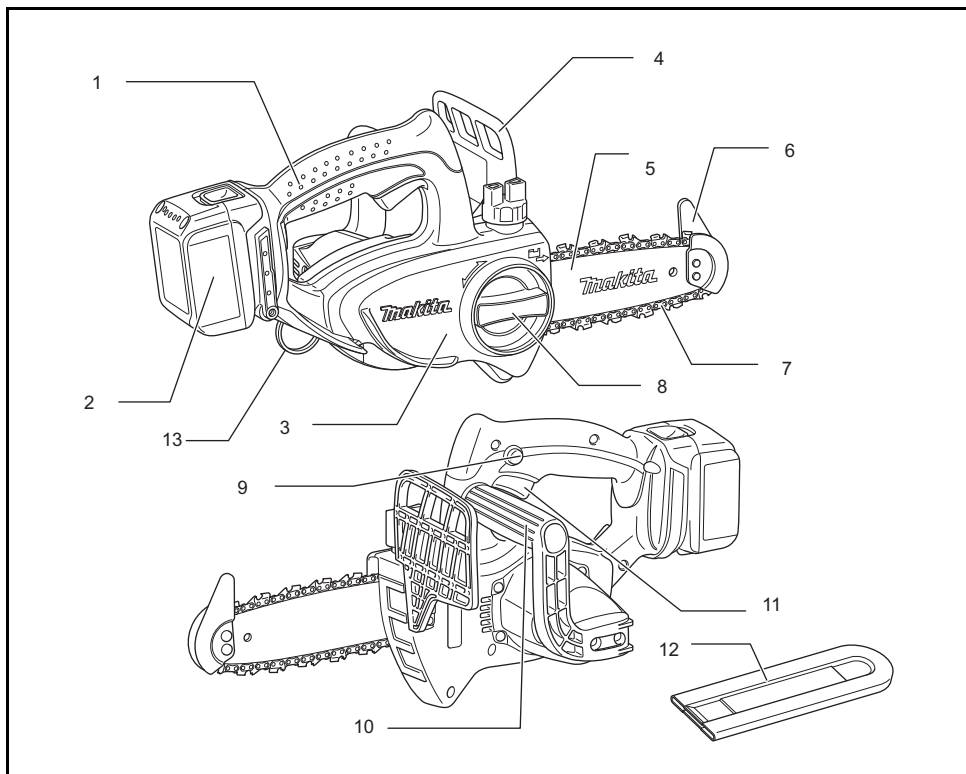




GB	Cordless Chain Saw	Instruction Manual
F	Tronçonneuse sans Fil	Manuel d'instructions
D	Akku-Kettensäge	Betriebsanleitung
I	Motosega a batteria	Istruzioni per l'uso
NL	Accu-kettingzaag	Gebruiksaanwijzing
E	Electrosierra Inalámbrica	Manual de instrucciones
P	Motosserra a Bateria	Manual de instruções
DK	Akku-kædesav	Brugsanvisning
GR	Αλυσοπίρινο χωρίς καλώδιο	Οδηγίες χρήσεως

DUC121
DUC122





008588

ENGLISH

1	Top handle
2	Battery cartridge
3	Sprocket cover
4	Front hand guard
5	Guide bar
6	Tip guard
7	Saw chain
8	Knob
9	Lock off button
10	Front handle
11	Switch trigger
12	Chain cover
13	Carabiner or rope attachment point

008589

FRANÇAIS

1	Poignée supérieure
2	Batterie
3	Couvre-pignon
4	Protège-main avant
5	Guide de chaîne
6	Protection de la pointe
7	Chaîne
8	Bouton
9	Bouton de sécurité
10	Poignée avant
11	Gâchette
12	Cache de chaîne
13	Point de fixation du mousqueton ou de la corde

DEUTSCH

1	Obergriff
2	Akku
3	Kettenraddeckel
4	Vorderer Handschutz
5	Schwert
6	Berührungsschutz
7	Sägekette
8	Knopf
9	Einschaltarretierung
10	Frontgriff
11	Schalter
12	Kettenabdeckung
13	Befestigungsöse für Karabinerhaken oder Seil

NEDERLANDS

1	Bovenhandgreep
2	Accu
3	Afdekking van kettingwiel
4	Beschermkap van voorhandgreep
5	Zaagblad
6	Zaagpuntbescherming
7	Zaagketting
8	Knop
9	Ontgrendelknop
10	Voorhandgreep
11	Trekschakelaar
12	Kettingdeksel
13	Bevestigingsoog voor karabijnhaak of touw

ITALIANO

1	Manico superiore
2	Cartuccia batteria
3	Coperchio rocchetto
4	Protezione mano anteriore
5	Barra guida
6	Riparo punta
7	Catena sega
8	Manopola
9	Bottone di sblocco
10	Manico anteriore
11	Interruttore
12	Coperchio catena
13	Gancio o punto di attacco fune

ESPAÑOL

1	Empuñadura principal
2	Cartucho de batería
3	Cubierta del piñón
4	Protector de la mano delantera
5	Placa de guía
6	Guía de la punta de la sierra
7	Cadena de sierra
8	Perilla
9	Botón de seguro
10	Empuñadura delantera
11	Gatillo interruptor
12	Cubierta de la cadena
13	Punto de sujeción de mosquetón o cuerda

PORTUGUÊS

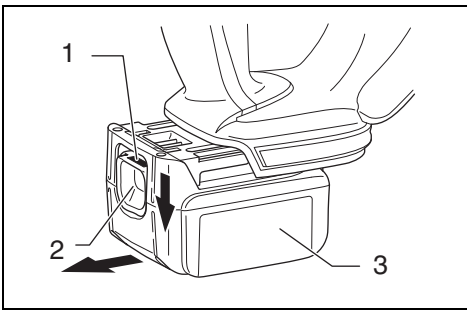
1	Pega superior
2	Bateria
3	Cobertura da roda dentada
4	Protector frontal das mãos
5	Espada
6	Resguardo da ponta
7	Corrente da electroerra
8	Botão
9	Botão de bloqueio
10	Pega frontal
11	Gatilho do interruptor
12	Cobertura da corrente
13	Ponto de fixação da corda ou gancho

ΕΛΛΗΝΙΚΑ

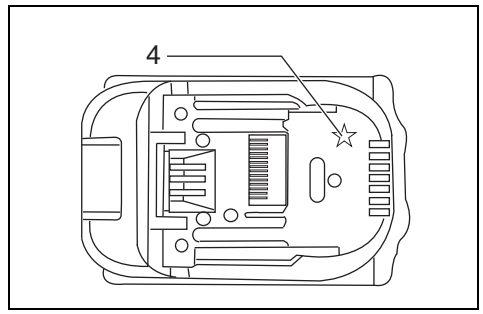
1	Άνω λαβή
2	Κασετίνα μπαταρίας
3	Κάλυμμα οδοντωτού τροχού
4	Μπροστινός προφυλακτήρας χεριών
5	Κατευθυντήρια λάμα
6	Ακραίος προφυλακτήρας
7	Αλυσίδα πριονιού
8	Κουμπί
9	Πλήκτρο ασφάλειας
10	Μπροστινή λαβή
11	Σκανδάλη διακόπτης
12	Κάλυμμα αλυσίδας
13	Carabiner ή σημείο πρόσδεσης σχοινιού

DANSK

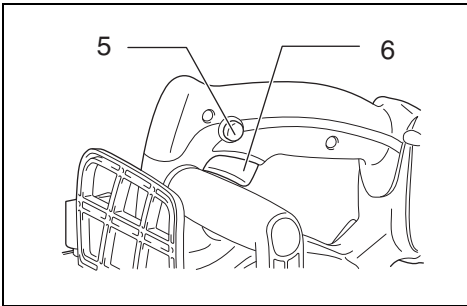
1	Tophåndtag
2	Akku
3	Kædehjulsdæksel
4	Frontkappe
5	Sværd
6	Næseanslag
7	Savkæde
8	Drejeknap
9	Låseknap
10	Fronthåndtag
11	Afbryderknap
12	Kædedæksel
13	Fastgørelsespunkt til karabinhage eller reb



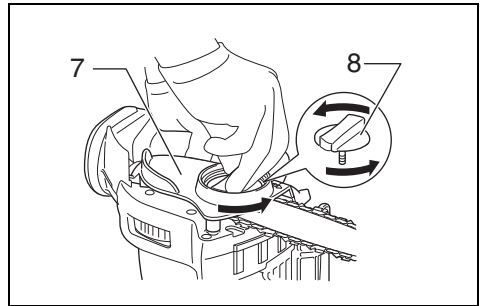
1 012143



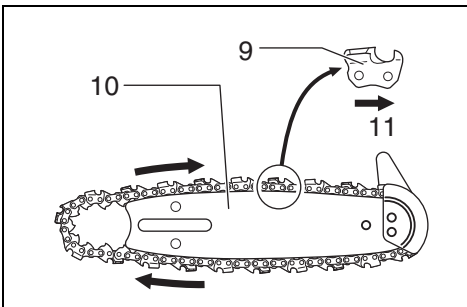
2 012128



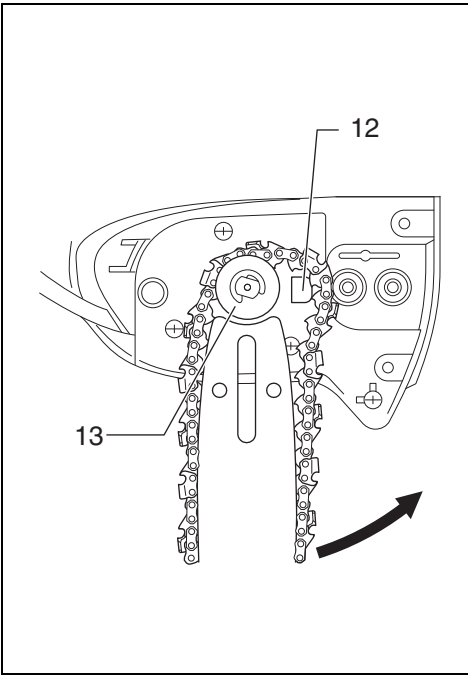
3 008572



4 008566

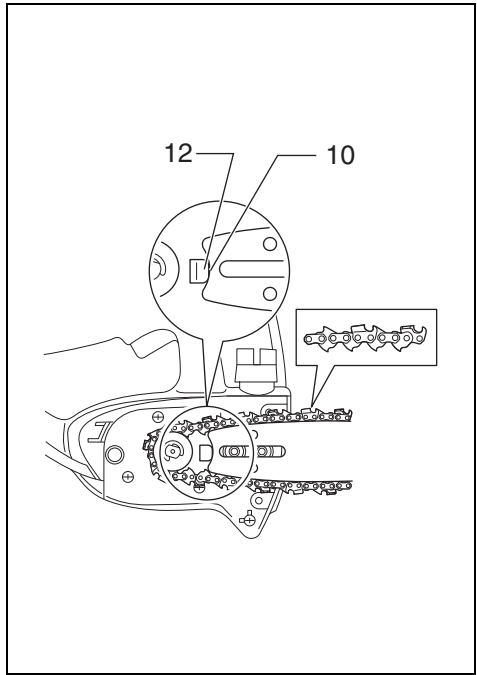


5 008568



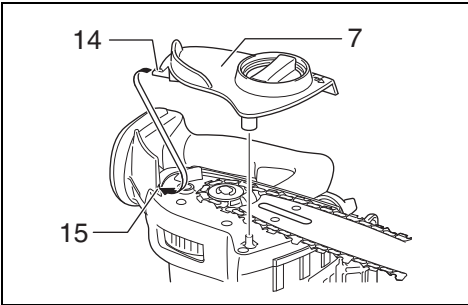
6

013715



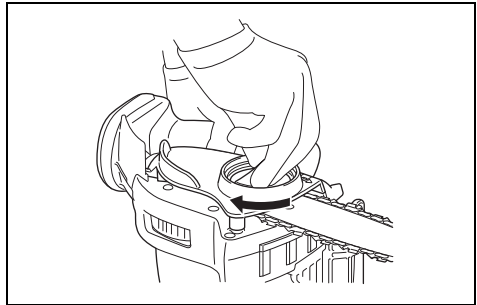
7

013716



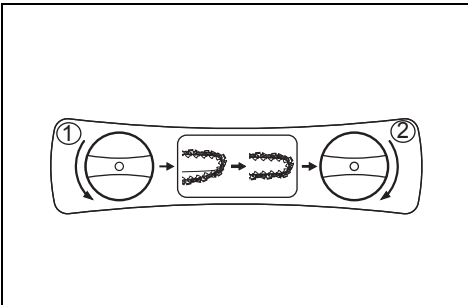
8

008569



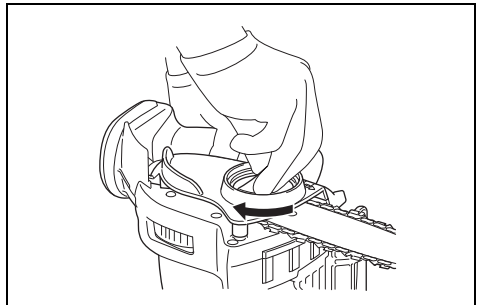
9

008570



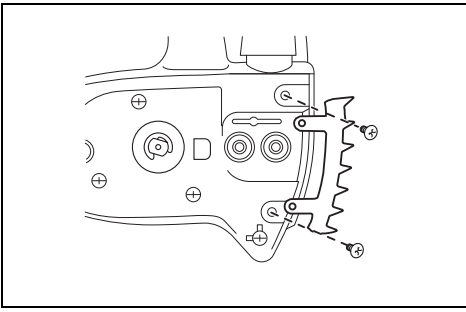
10

008587

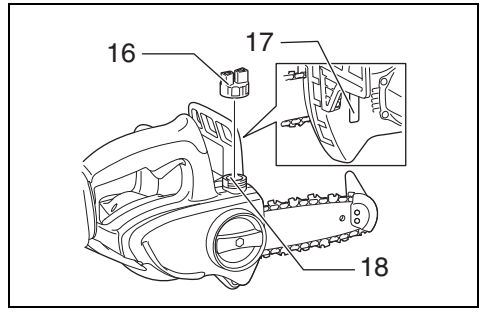


11

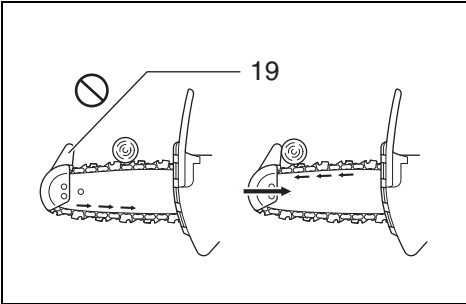
008570



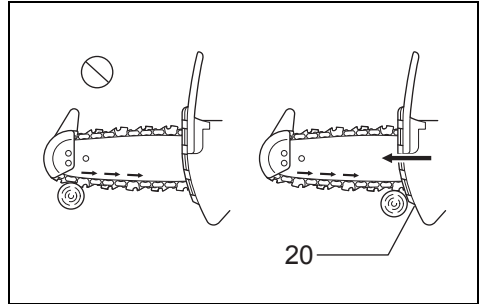
12 014818



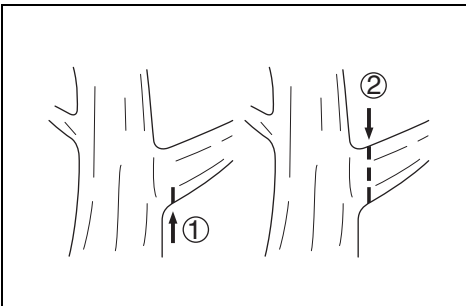
13 008571



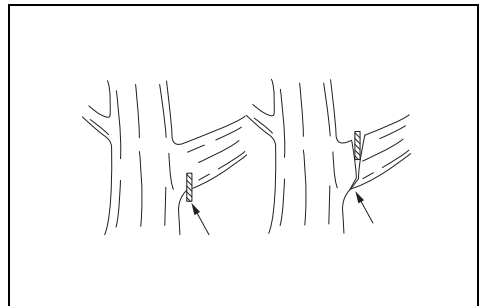
14 008574



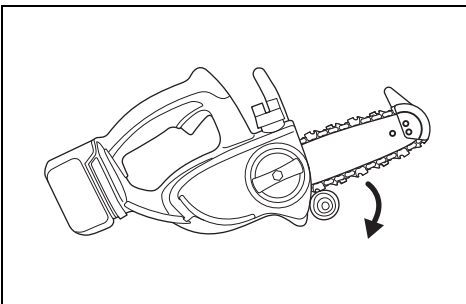
15 008575



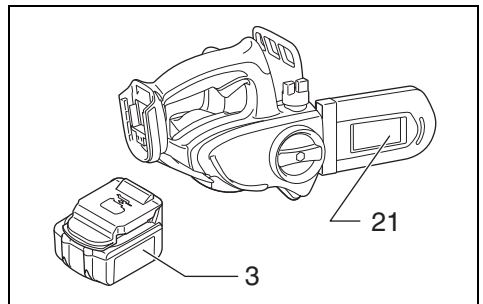
16 008576



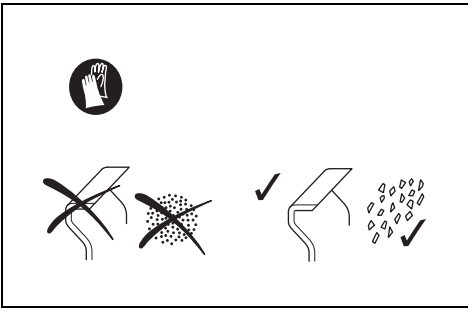
17 001742



18 008634

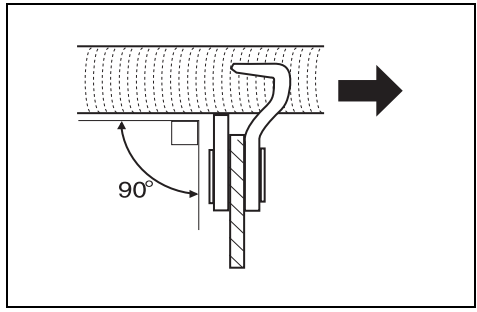


19 008573



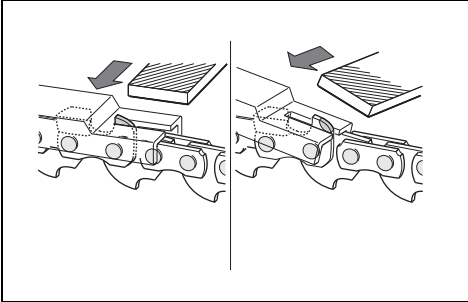
20

008633



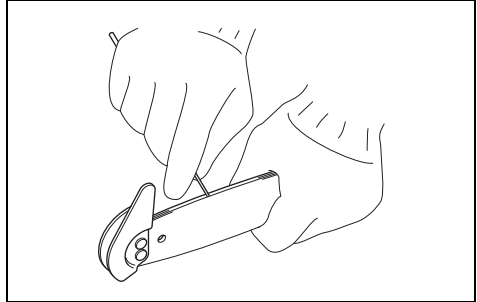
21

006927



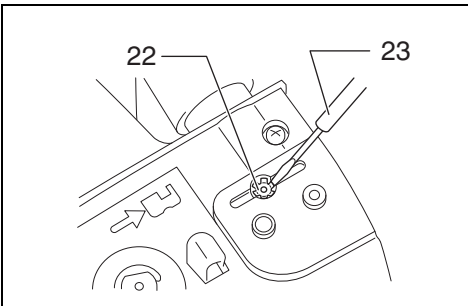
22

006929



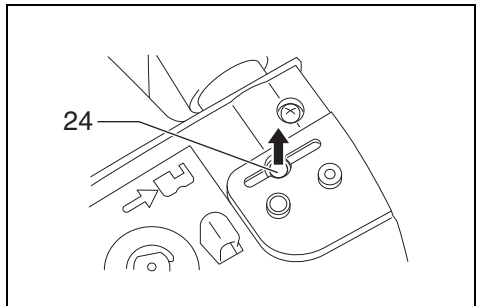
23

008578



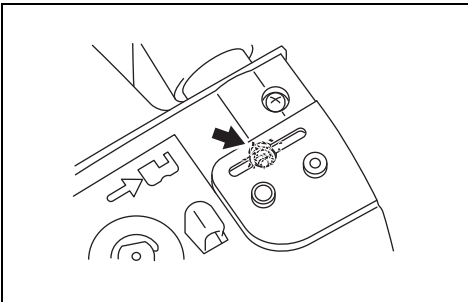
24

008579



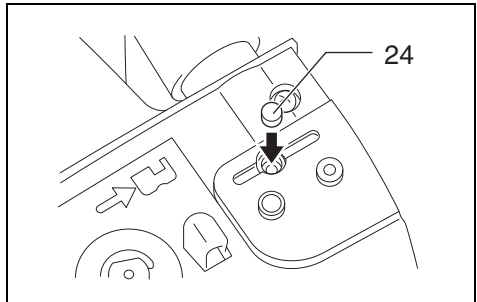
25

008580



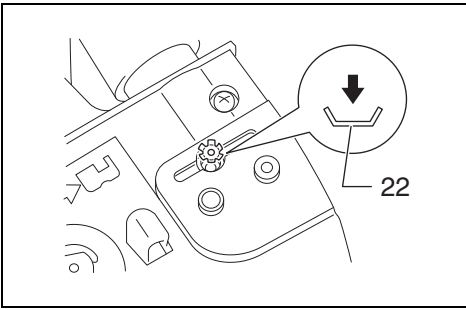
26

008581



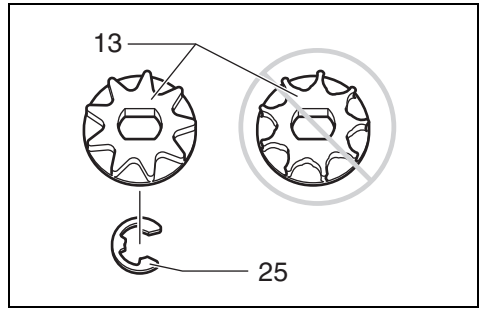
27

008582



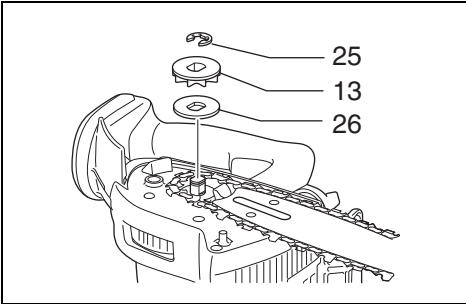
28

008635



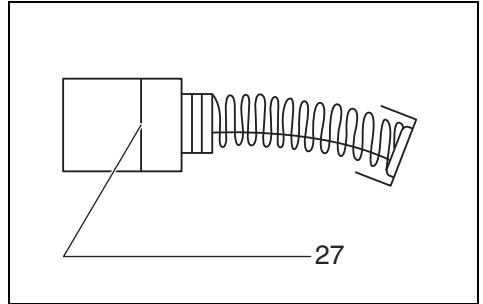
29

008584



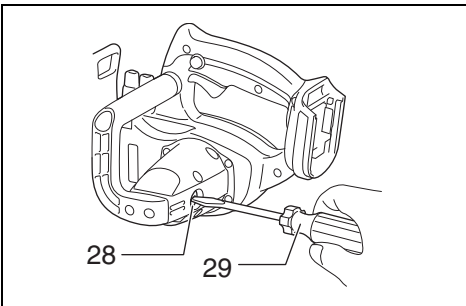
30

008586



31

001145



32

008585

Symbols

The following show the symbols used for the equipment. Be sure that you understand their meaning before use.

Symboles

Nous donnons ci-dessous les symboles utilisés pour l'outil. Assurez-vous que vous en avez bien compris la signification avant d'utiliser l'outil.

Simbole

Die folgenden Symbole werden für die Maschine verwendet. Machen Sie sich vor der Benutzung unbedingt mit ihrer Bedeutung vertraut.

Simboli

Per questo utensile vengono usati i simboli seguenti. Bisogna capire il loro significato prima di usare l'utensile.

Symbolen

Voor dit gereedschap worden de volgende symbolen gebruikt. Zorg ervoor dat u de betekenis van deze symbolen begrijpt alvorens het gereedschap te gebruiken.

Símbolos

A continuación se muestran los símbolos utilizados con esta herramienta. Asegúrese de que entienda su significado antes de usarla.

Símbolos

O seguinte mostra os símbolos utilizados para a ferramenta. Certifique-se de que compreende o seu significado antes da utilização.

Symboler

Nedenstående symboler er anvendt i forbindelse med denne maskine. Vær sikker på, at De har forstået symbolernes betydning, før maskinen anvendes.

Σύμβολα

Τα ακόλουθα δείχνουν τα σύμβολα που χρησιμοποιούνται για το μηχάνημα. Βεβαιωθείτε ότι καταλαβαίνετε τη σημασία τους πριν από τη χρήση.



- Read instruction manual.
- Lire le mode d'emploi.
- Bitte Bedienungsanleitung lesen.
- Leggete il manuale di istruzioni.
- Lees de gebruiksaanwijzing.
- Lea el manual de instrucciones.
- Leia o manual de instruções.
- Læs brugsanvisningen.
- Διαβάστε τις οδηγίες χρήσης.



- Wear eye protection.
- Portez une protection pour les yeux.
- Eine Schutzbrille tragen.
- Indossare gli occhiali di protezione.
- Draag oogbescherming.
- Póngase protección para los ojos.
- Utilize protectores para os olhos.
- Brug øjenbeskyttelse.
- Να φοράτε προστατευτικά ματιών.



- Wear ear protection.
- Portez une protection pour les oreilles.
- Einen Gehörschutz tragen.
- Indossare la protezione delle orecchie.
- Draag gehoorbescherming.
- Póngase protección para los oídos.
- Utilize protectores para os ouvidos.
- Brug høreværn.
- Να φοράτε προστατευτικά αυτιών.



- Wear a helmet, goggles and ear protection.
- Portez un casque, des lunettes de sécurité et une protection pour les oreilles.
- Tragen Sie einen Helm, eine Schutzbrille und einen Gehörschutz.
- Indossare il casco, gli occhiali di protezione e i paraorecchi.
- Draag een veiligheidshelm, veiligheidsbril en oorbescherming.
- Póngase casco, gafas de seguridad y protección para los oídos.
- Use um capacete, óculos de segurança e protectores para os ouvidos.
- Bær hjelm, sikkerhedsbriller og høreværn.
- Να φοράτε κράνος και μέσα προστασίας ρασης και ακής.



- Use appropriate protection for foot-leg and hand-arm.
- Portez des protections adéquates pour les pieds, les jambes, les mains et les bras.
- Angemessenen Schutz für Füße/Beine und Hände/Arme verwenden.
- Usare le protezioni appropriate per i piedi, le gambe, le mani e le braccia.
- Gebruik afdoende beschermingsmiddelen voor voet/been en hand/arm.
- Utilice protección apropiada para pies-piernas y manos-brazos.
- Utilize protectores adecuados para os pés e pernas e também para as mãos e braços.
- Brug passende beskyttelse til fødder/ben og hænder/arme.
- Να χρησιμοποιείτε κατάλληλη προστασία για πέλματα-κνήμες και χέρια-βραχίονες.



- This saw is to be used by properly trained operators only.
- Cette scie ne doit être utilisée que par des personnes ayant reçu une formation adéquate.
- Diese Säge darf nur von fachlich geschulten Personen benutzt werden.
- Questa sega deve essere usata soltanto dagli operatori addestrati appropriatamente.
- Deze kettingzaag mag alleen worden gebruikt door goed opgeleide personen.
- Esta sierra es para ser utilizada solamente por operarios debidamente preparados.
- Esta electroserra deve ser utilizada somente por operadores devidamente treinados.
- Denne sav må kun anvendes af oplærte operatører.
- Αυτό το αλυσοπρίονο προορίζεται για χρήση μόνο από κατάλληλα εκπαιδευμένους χειριστές.



- Do not expose to rain.
- N'exposez pas l'outil à la pluie.
- Die Maschine keinem Regen aussetzen.
- Non esporre alla pioggia.
- Stel het gereedschap niet bloot aan regen.
- No exponga a la lluvia.
- Não exponha a ferramenta à chuva.
- Udsæt ikke saven for regn.
- Να μην εκτίθεται στη βροχή.



- Maximum permissible cut length
- Longueur de coupe maximale admise
- Höchstzulässige Schnittlänge
- Lunghezza di taglio massima permmissibile
- Maximaal toegestane zaaglengte
- Longitud de corte permitida máxima
- Comprimento máximo de corte permitido
- Maks. tilladt skærelængde
- Μέγιστο επιτρεπομενο μήκος κοπής



- Direction of chain travel
- Sens de progression de la chaîne
- Kettenumlaufrichtung
- Direzione di corsa catena
- Draairichtung van de ketting
- Dirección de desplazamiento de la cadena
- Sentido de movimento da corrente
- Retning af kædens bevægelse
- Κατεύθυνση διαδρομής αλυσίδας



- Saw chain oil adjustment
- Réglage d'huile de la chaîne
- Sägekettenöleinstellung
- Regolazione olio catena sega
- Afstelling voor zaagkettingolie
- Ajuste del aceite de la cadena de sierra
- Regulação da lubrificação da corrente da electroserra
- Justering af savkædeolie
- Ρύθμιση λίπανσης αλυσίδας αλυσοπρίονου



- **Only for EU countries**
Do not dispose of electric equipment or battery pack together with household waste material!
In observance of the European Directives, on Waste Electric and Electronic Equipment and Batteries and Accumulators and Waste Batteries and Accumulators and their implementation in accordance with national laws, electric equipment and batteries and battery pack(s) that have reached the end of their life must be collected separately and returned to an environmentally compatible recycling facility.
- **Pour les pays européens uniquement**
Ne pas jeter les équipements électriques ou les batteries dans les ordures ménagères !
Conformément à la directive européenne relative aux déchets d'équipements électriques et électroniques (DEEE) et à la directive européenne relative aux piles et accumulateurs ainsi qu'aux déchets de piles et accumulateurs et à leur transposition dans la législation nationale, les équipements électriques, les piles et assemblages en batterie qui ont atteint la fin de leur durée de service doivent être collectés à part et être soumis à un recyclage respectueux de l'environnement.
- **Nur für EU-Länder**
Werfen Sie Elektrogeräte oder Akkus nicht in den Hausmüll!
Gemäß den Europäischen Richtlinien für Elektro- und Elektronik-Altgeräte, für Batterien, Akkus sowie verbrauchte Batterien und Akkus und ihre Umsetzung gemäß den Landesgesetzen müssen Elektrogeräte, Batterien und Akkus, die das Ende ihrer Lebensdauer erreicht haben, getrennt gesammelt und einer umweltgerechten Recycling-Einrichtung zugeführt werden.
- **Solo per Paesi UE**
Non gettare gli apparecchi elettrici o il pacco batteria con l'immondizia.
In osservanza alle direttive europee sulla rottamazione degli apparecchi elettrici ed elettronici, delle batterie e degli accumulatori, e delle batterie e degli accumulatori di scarto, e la loro implementazione in ottemperanza alle leggi nazionali, gli apparecchi elettrici, le batterie e i pacchi batteria che hanno raggiunto la fine della loro vita di servizio devono essere raccolti separatamente e portati a un centro di riciclaggio compatibile con l'ambiente.
- **Alleen voor EU-landen**
Geef elektrische apparatuur of accu's niet met het huishoudelijk afval mee!
Met inachtneming van de Europese Richtlijnen betreffende afgedankte elektrische en elektronische apparatuur, batterijen en accu's inclusief opgebruikte batterijen en accu's, en de implementatie van deze richtlijnen in overeenstemming met nationale wetgeving, moeten elektrische apparaten, batterijen en accu's die het einde van hun levensduur bereikt hebben, gescheiden worden ingezameld en worden ingeleverd bij een recyclingbedrijf dat aan de milieुरichtlijnen voldoet.
- **Sólo para países de la Unión Europea**
¡No tire aparatos eléctricos ni baterías a la basura con los residuos domésticos!
En conformidad con las Directivas Europeas, sobre residuos de aparatos eléctricos y electrónicos y sobre baterías y acumuladores y residuos de baterías y de acumuladores y su aplicación de acuerdo con la legislación nacional, los aparatos eléctricos y las baterías cuya vida útil haya llegado a su fin se deberán recoger por separado y trasladar a una planta de reciclaje que cumpla con las exigencias ecológicas.
- **Apenas para países da UE**
Não elimine equipamento eléctrico nem pack de baterias juntamente com lixo doméstico!
De acordo com as directivas europeias, relativas aos resíduos de equipamentos eléctricos e electrónicos e a pilhas e acumuladores e respectivos resíduos e a sua implementação em conformidade com as leis nacionais, o equipamento eléctrico e pilhas e pack(s) de baterias que tenham atingido o fim da sua vida devem ser recolhidos separadamente e encaminhados para a uma instalação de reciclagem ambientalmente compatível.
- **Kun for EU-lande**
Elektrisk udstyr og akkuer må ikke bortskaffes sammen med almindeligt husholdningsaffald!
I henhold til det europæiske direktiv om bortskaffelse af udtjent elektrisk og elektronisk udstyr og batterier og akkumulatorer samt udtjente batterier og akkumulatorer og udførelsen af dette i overensstemmelse med nationale love, skal elektrisk udstyr og batterier og akku(er), som er udtjente, indsamles separat og returneres til en miljømæssigt kompatibel genvindingsfacilitet.

- Μόνο για τις χώρες της ΕΕ

Μην απορρίπτετε τον ηλεκτρικό εξοπλισμό ή την μπαταρία μαζί με τα οικιακά απορρίμματα! Σύμφωνα με τις Ευρωπαϊκές Οδηγίες για τον απόβλητο ηλεκτρικό και τον ηλεκτρονικό εξοπλισμό και τις μπαταρίες και συσσωρευτές και τις απόβλητες μπαταρίες και συσσωρευτές και την ενσωμάτωσή τους στην εθνική νομοθεσία, ο ηλεκτρικός εξοπλισμός και οι μπαταρίες που έχουν φτάσει στο τέλος ζωής τους πρέπει να συλλέγονται ξεχωριστά και να επιστρέφονται σε εγκαταστάσεις περιβαλλοντικής ανακύκλωσης.

Explanation of general view

1 Red indicator	11 Arrow	21 Scabbard (chain cover)
2 Button	12 Spring	22 Push nut
3 Battery cartridge	13 Sprocket	23 Slotted bit screwdriver
4 Star marking	14 Hook	24 Filter
5 Lock-off button	15 Hole	25 Locking ring
6 Switch trigger	16 Oil tank cap	26 Washer
7 Sprocket cover	17 Oil inspection window	27 Limit mark
8 Knob	18 Oil tank opening	28 Brush holder cap
9 Cutter	19 Tip guide	29 Screwdriver
10 Guide bar	20 Lower guide	

SPECIFICATIONS

Model		DUC121	DUC122
Standard guide bar	Guide bar length	115 mm	
	Cutting length	11.5 cm	
	Type	Carving bar	
Standard saw chain	Type	25 AP	
	Pitch	6.35 mm (1/4")	
	Gauge	1.3 mm (0.05")	
	No. of drive links	42	
Sprocket	Number of teeth	9	
	Pitch	6.35 mm (1/4")	
Overall length		422 mm	
Net weight		2.5 kg	2.6 kg
Chain speed per minute (min ⁻¹)		4.8 m/s (290 m/min)	5.0 m/s (300 m/min)
Chain oil tank volume		80 cm ³	
Rated voltage		D.C. 14.4 V	D.C. 18 V

- Due to our continuing program of research and development, the specifications herein are subject to change without notice.
- Specifications and battery cartridge may differ from country to country.
- Weight, with battery cartridge, according to EPTA-Procedure 01/2003

WARNING: Use appropriate combination of the guide bar and saw chain. Otherwise personal injury may result.

Intended use

The tool is intended for cutting branches / pruning trees. It is also suitable for tree service.

General Power Tool Safety Warnings

⚠ WARNING Read all safety warnings and all instructions. Failure to follow the warnings and instructions may result in electric shock, fire and/or serious injury.

Save all warnings and instructions for future reference.

Cordless Chain saw safety warnings:

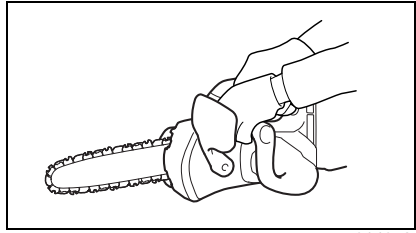
1. **Keep all parts of the body away from the saw chain when the chain saw is operating. Before you start the chain saw, make sure the saw chain is not contacting anything.** A moment of inattention while operating chain saws may cause entanglement of your clothing or body with the saw chain.
2. **When holding with both hands, always hold the chain saw with your right hand on the rear handle and your left hand on the front handle.** Holding the chain saw with a reversed hand configuration increases the risk of personal injury and should never be done.
3. **Hold the power tool by insulated gripping surfaces only, because the saw chain may contact hidden wiring.** Saw chains contacting a "live" wire may make exposed metal parts of the power tool "live" and could give the operator an electric shock.
4. **Wear safety glasses and hearing protection. Further protective equipment for head, hands, legs and feet is recommended.** Adequate protective clothing will reduce personal injury by flying debris or accidental contact with the saw chain.

GEB119-1

ENE090-1

GEA010-1

5. **Always keep proper footing.** Slippery or unstable surfaces may cause a loss of balance or control of the chain saw.
6. **When cutting a limb that is under tension be alert for spring back.** When the tension in the wood fibers is released the spring loaded limb may strike the operator and/or throw the chain saw out of control.
7. **Use extreme caution when cutting brush and saplings.** The slender material may catch the saw chain and be whipped toward you or pull you off balance.
8. **Carry the chain saw by the front handle with the chain saw switched off and away from your body. When transporting or storing the chain saw always fit the guide bar cover.** Proper handling of the chain saw will reduce the likelihood of accidental contact with the moving saw chain.
9. **Follow instructions for lubricating, chain tensioning and changing accessories.** Improperly tensioned or lubricated chain may either break or increase the chance for kickback.
10. **Keep handles dry, clean, and free from oil and grease.** Greasy, oily handles are slippery causing loss of control.
11. **Cut wood only. Do not use chain saw for purposes not intended. For example: do not use chain saw for cutting plastic, masonry or non-wood building materials.** Use of the chain saw for operations different than intended could result in a hazardous situation.
12. **Causes and operator prevention of kickback:**
 Kickback may occur when the nose or tip of the guide bar touches an object, or when the wood closes in and pinches the saw chain in the cut. Tip contact in some cases may cause a sudden reverse reaction, kicking the guide bar up and back towards the operator.
 Pinching the saw chain along the top of the guide bar may push the guide bar rapidly back towards the operator.
 Either of these reactions may cause you to lose control of the saw which could result in serious personal injury. Do not rely exclusively upon the safety devices built into your saw. As a chain saw user, you should take several steps to keep your cutting jobs free from accident or injury.
 Kickback is the result of tool misuse and/or incorrect operating procedures or conditions and can be avoided by taking proper precautions as given below:
 - **Maintain a firm grip, with thumbs and fingers encircling the chain saw handles, with both hands on the saw and position your body and arm to allow you to resist kickback forces.** Kickback forces can be controlled by the operator, if proper precautions are taken. Do not let go of the chain saw.



014673

- **Do not overreach and do not cut above shoulder height.** This helps prevent unintended tip contact and enables better control of the chain saw in unexpected situations.
 - **Only use replacement bars and chains specified by the manufacturer.** Incorrect replacement bars and chains may cause chain breakage and/or kickback.
 - **Follow the manufacturer's sharpening and maintenance instructions for the saw chain.** Decreasing the depth gauge height can lead to increased kickback.
13. Before starting work, check that the chain saw is in proper working order and that its condition complies with the safety regulations. Check in particular that:
 - The run-down brake is working properly;
 - The bar and the sprocket cover are fitted correctly;
 - The chain has been sharpened and tensioned in accordance with the regulations;
 14. **Do not start the chain saw with the chain cover being installed on it.** Starting the chain saw with the chain cover being installed on it may cause the chain cover to be thrown out forward resulting in personal injury and damage to objects around the operator.

Top handle chainsaw specific safety warnings

1. This chain saw is designed especially for tree care and surgery. The chain saw is intended to be used by properly trained persons only. Observe all instructions, procedures and recommendations from the relevant professional organization. Otherwise fatal accidents may occur. It is recommended that always using a rising platform (cherry picker, lift) for sawing in trees. Rappelling techniques are extremely dangerous and require special training. The operators must be trained to become familiar with safety equipment usage and climbing techniques. Always use the appropriate belts, ropes and carabiners when working in trees. Always use restraining equipment for both the operator and the saw.
2. Perform cleaning and maintenance before storage in accordance with the instruction manual.
3. Ensure safe positioning of the chain saw during car transportation to avoid fuel or chain oil leakage, damage to the tool and personal injury.
4. Do not fill the chain oil near fire. Never smoke when you fill the chain oil.
5. National regulation may restrict the use of the chain saw.

6. If the equipment gets heavy impact or fall, check the condition before continuing work. Check the controls and safety devices for malfunction. If there is any damage or doubt, ask our authorized service center for the inspection and repair.
7. Hold the saw firmly in place to avoid skating (skid movement) or bouncing of the saw when starting a cut.
8. At the end of the cut, be careful to keep your balance due to the "drop".
9. Take into account the direction and speed of the wind. Avoid sawdust and chain oil mist.

Protective equipment

1. **In order to avoid head, eye, hand or foot injuries as well as to protect your hearing the following protective equipment must be used during operation of the chain saw:**
 - The kind of clothing should be appropriate, i. e. it should be tight-fitting but not be a hindrance. Do not wear jewelry or clothing which could become entangled with bushes or shrubs. If you have long hair, always wear a hairnet!
 - It is necessary to wear a protective helmet whenever working with the chain saw. The **protective helmet** is to be checked in regular intervals for damage and is to be replaced after 5 years at the latest. Use only approved protective helmets.
 - The **face shield** of the protective helmet (or the goggles) protects against sawdust and wood chips. During operation of the chain saw always wear a goggle or a face shield to prevent eye injuries.
 - Wear adequate **noise protection equipment** (ear muffs, ear plugs, etc.)
 - The **protective jacket** consists of 22 layers of nylon and protects the operator against cuts. It is always to be worn when working from elevated platforms (cherry pickers, lifts), from platforms mounted on ladders or when climbing with ropes.
 - The **protective brace and bib overall** is made of a nylon fabric with 22 layers and protects against cuts. We strongly recommend its use.
 - **Protective gloves** made of thick leather are part of the prescribed equipment and must always be worn during operation of the chain saw.
 - During operation of the chain saw **safety shoes** or **safety boots** fitted with anti skid sole, steel toe caps and protection for the leg must always to be worn. Safety shoes equipped with a protective layer provide protection against cuts and ensure a secure footing. For working in trees the safety boots must be suitable for climbing techniques.

Vibration

1. Individuals with poor circulation who are exposed to excessive vibration may experience injury to blood vessels or the nervous system. Vibration may cause the following symptoms to occur in the fingers, hands or wrists: "Falling asleep" (numbness), tingling, pain, stabbing sensation, alteration of skin colour or of the skin.
If any of these symptoms occur, see a physician! To reduce the risk of "white finger disease", keep your hands warm during operation and well maintain the equipment and accessories.

SAVE THESE INSTRUCTIONS.



WARNING:

DO NOT let comfort or familiarity with product (gained from repeated use) replace strict adherence to safety rules for the subject product. **MISUSE** or failure to follow the safety rules stated in this instruction manual may cause serious personal injury.

ENC007-8

IMPORTANT SAFETY INSTRUCTIONS

FOR BATTERY CARTRIDGE

1. Before using battery cartridge, read all instructions and cautionary markings on (1) battery charger, (2) battery, and (3) product using battery.
2. Do not disassemble battery cartridge.
3. If operating time has become excessively shorter, stop operating immediately. It may result in a risk of overheating, possible burns and even an explosion.
4. If electrolyte gets into your eyes, rinse them out with clear water and seek medical attention right away. It may result in loss of your eyesight.
5. Do not short the battery cartridge:
 - (1) Do not touch the terminals with any conductive material.
 - (2) Avoid storing battery cartridge in a container with other metal objects such as nails, coins, etc.
 - (3) Do not expose battery cartridge to water or rain.

A battery short can cause a large current flow, overheating, possible burns and even a breakdown.
6. Do not store the tool and battery cartridge in locations where the temperature may reach or exceed 50°C (122°F).
7. Do not incinerate the battery cartridge even if it is severely damaged or is completely worn out. The battery cartridge can explode in a fire.
8. Be careful not to drop or strike battery.
9. Do not use a damaged battery.
10. Follow your local regulations relating to disposal of battery.

SAVE THESE INSTRUCTIONS.

Tips for maintaining maximum battery life

1. Charge the battery cartridge before completely discharged.
Always stop tool operation and charge the battery cartridge when you notice less tool power.
2. Never recharge a fully charged battery cartridge. Overcharging shortens the battery service life.
3. Charge the battery cartridge with room temperature at 10°C – 40°C (50°F – 104°F). Let a hot battery cartridge cool down before charging it.
4. Charge the battery cartridge once in every six months if you do not use it for a long period of time.

FUNCTIONAL DESCRIPTION

CAUTION:

- Always be sure that the tool is switched off and the battery cartridge is removed before adjusting or checking function on the tool.

Installing or removing battery cartridge (Fig. 1)

- Always switch off the tool before installing or removing of the battery cartridge.

- **Hold the tool and the battery cartridge firmly when installing or removing battery cartridge.**

Failure to hold the tool and the battery cartridge firmly may cause them to slip off your hands and result in damage to the tool and battery cartridge and a personal injury.

To remove the battery cartridge, slide it from the tool while sliding the button on the front of the cartridge.

To install the battery cartridge, align the tongue on the battery cartridge with the groove in the housing and slip it into place. Insert it all the way until it locks in place with a little click. If you can see the red indicator on the upper side of the button, it is not locked completely.

CAUTION:

- Always install the battery cartridge fully until the red indicator cannot be seen. If not, it may accidentally fall out of the tool, causing injury to you or someone around you.
- Do not install the battery cartridge forcibly. If the cartridge does not slide in easily, it is not being inserted correctly.

Battery protection system (Lithium-ion battery with star marking) (Fig. 2)

Lithium-ion batteries with a star marking are equipped with a protection system. This system automatically cuts off power to the tool to extend battery life.

The tool will automatically stop during operation if the tool and/or battery are placed under one of the following conditions:

- Overloaded:

The tool is operated in a manner that causes it to draw an abnormally high current.

In this situation, release the trigger switch on the tool and stop the application that caused the tool to become overloaded. Then pull the trigger switch again to restart.

If the tool does not start, the battery is overheated. In this situation, let the battery cool before pulling the trigger switch again.

- Low battery voltage:

The remaining battery capacity is too low and the tool will not operate. In this situation, remove and recharge the battery.

Switch action (Fig. 3)

CAUTION:

- Before inserting the battery cartridge into the tool, always check to see that the switch trigger actuates properly and returns to the "OFF" position when released.

To prevent the switch trigger from being accidentally pulled, a lock-off button is provided.

To start the tool, depress the lock-off button and pull the switch trigger. Release the switch trigger to stop.

ASSEMBLY

CAUTION:

- Always be sure that the tool is switched off and the battery cartridge is removed before carrying out any work on the tool.

Installing or removing saw chain

CAUTION:

- Always be sure that the tool is switched off and the battery cartridge is removed before installing or removing the saw chain.
- Always wear gloves when installing or removing the saw chain.
- Use only saw chain and guide bar with bar tip designed for this chain saw (see the Extract from the spare parts list).
- In order to prevent kickback, do not remove the bar tip or replace the guide bar with one without a bar tip.

Loosen the screw by turning counterclockwise the knob until the sprocket cover comes off. (Fig. 4)

Remove the sprocket cover.

Remove saw chain and guide bar from the tool.

Fit in one end of the saw chain on the top of guide bar. At this time, fit the saw chain as shown in the figure because it rotates in the direction of arrow. (Fig. 5)

Place the saw chain so that the spring is positioned inside it and fit in the other end of saw chain around the sprocket as shown in the figure. (Fig. 6)

While turning the guide bar counterclockwise, install it so that the end of guide bar contacts the spring. (Fig. 7)

Insert the hook of sprocket cover into the hole in the tool and then place the sprocket cover on the tool. (Fig. 8)

Turn the knob clockwise to tighten the screw firmly. (Fig. 9)

Adjusting saw chain tension (Fig. 10 & 11)

Just a slight loosening of the screw allows the saw chain tension to be adjusted. After adjusting, retighten the screw firmly.

CAUTION:

- For a while after a new saw chain is installed, it tends to become loosened. From time to time check the saw chain tension before use.
- Low tension of saw chain may cause coming out of place.
- Installing or removing saw chain should be carried out in a clean place free from sawdust and the like.

Spike bumper (optional accessory) (Fig. 12)

To install spike bumper, perform the following steps:

1. Remove the sprocket cover, saw chain and guide bar as described in this instruction manual.
2. Fit the holes of spike bumper along with the holes on the chainsaw.
3. Tighten them firmly with screws.

OPERATION

Lubrication (Fig. 13)

Saw chain is automatically lubricated when the tool is in operation.

Check the amount of remaining oil in the oil tank through the oil inspection window.

To refill the tank, remove the cap from the oil tank opening.

After refilling the tank, always screw the provided oil tank cap on the chain saw.

CAUTION:

- When filling the chain saw with chain oil for the first time, or refilling the tank after it has been completely emptied, add oil up to the bottom edge of the filler neck. The oil delivery may otherwise be impaired.
- As a saw chain oil, use oil exclusively for Makita chain saws or oil available in market.
- Never use oil including dust and particles or volatile oil.
- When pruning trees, use botanical oil. Mineral oil may harm trees.
- Never force the chain saw when pruning trees.
- Before cutting out, make sure that the provided oil tank cap is screwed in place.

Hold the chain saw away from the tree. Start it and wait until lubrication on saw chain is adequate.

Bring the tip guide/lower guide into contact with the branch to be cut before switching on. Cutting without bringing the tip guide/lower guide into contact with the branch may cause the guide bar to wobble, resulting in injury to operator.

Saw the wood to be cut by just moving it down.

Pruning trees

CAUTION:

- Keep all parts of the body away from the saw chain when the motor is operating.
- Hold the chain saw firmly with both hands when the motor is running.
- Do not overreach. Keep proper footing and balance at all times.

Bring the tip guide/lower guide into contact with the branch to be cut before switching on. Cutting without bringing the tip guide/lower guide into contact with the branch may cause the guide bar to wobble, resulting in injury to operator. (Fig. 14 & 15)

When cutting thick branches, first make a shallow undercut and then make the finish cut from the top. (Fig. 16)

If you try to cut off thick branches from the bottom, the branch may close in and pinch the saw chain in the cut. If you try to cut off thick branches from the top without a shallow undercut, the branch may splinter. (Fig. 17)

If you cannot cut the timber right through with a single stroke:

Apply light pressure to the handle and continue sawing and draw the chain saw back a little; then apply the spike a little lower and finish the cut by raising the handle. (Fig. 18)

Carrying tool (Fig. 19)

Always remove the battery cartridge from the tool and overlap the guide bar with the scabbard before carrying the tool. Also cover the battery cartridge with the battery cover.

MAINTENANCE

CAUTION:

- Always be sure that the tool is switched off and the battery cartridge is removed before attempting to perform inspection or maintenance.
- Always wear gloves when performing any inspection or maintenance.
- Never use gasoline, benzene, thinner, alcohol or the like. Discoloration, deformation or cracks may result.

Sharpening the saw chain

CAUTION:

- Always remove the battery cartridge and wear safety gloves when performing work on the saw chain.

Sharpen the saw chain when:

- Mealy sawdust is produced when damp wood is cut;
- The chain penetrates the wood with difficulty, even when heavy pressure is applied;
- The cutting edge is obviously damaged;
- The saw pulls to the left or right in the wood. The reason for this behaviour is uneven sharpening of the saw chain, or damage to one side only. (Fig. 20)

Sharpen the saw chain frequently, but remove only a little material each time.

Two or three strokes with a file are usually sufficient for routine reshaping. When the saw chain has been reshaped several times, have it sharpened in a MAKITA specialist repair shop.

File and file guiding (Fig. 21)

- Use a special round file (optional accessory) for saw chains, with a diameter of 4 mm, to sharpen the chain. Normal round files are not suitable.
- The file should only engage the material on the forward stroke. Lift the file off the material on the return stroke.
- Sharpen the shortest cutter first. The length of this cutter is then the gauge dimension for all other cutters on the saw chain.
- Guide the file as shown in the figure.
- The file can be guided more easily if a file holder (accessory) is employed. The file holder has markings for the correct sharpening angle of 30° (align the markings parallel to the saw chain) and limits the depth of penetration (to 4/5 of the file diameter).

Guide the file as shown in the figure. (Fig. 22)

- After sharpening the chain, check the height of the depth gauge using the chain gauge tool (optional accessory).
- Remove any projecting material, however small, with a special flat file (optional accessory).
- Round off the front of the depth gauge again.
- Wash away dust and particles from saw chain after adjusting the height of depth gauge.

Cleaning guide bar (Fig. 23)

Chips and sawdust will build up in the guide bar groove, clogging it and impairing oil flow. Always clean out the chips and sawdust when sharpening or replacing the saw chain.

Cleaning the oil filter at the oil discharge hole

Small dust or particles may be built up in the oil filter at the oil discharge hole during operation.

Small dust or particles built up in the oil filter may impair the oil discharge flow and cause an insufficient lubrication on the whole saw chain.

When a poor chain oil delivery occurs at the top of guide bar, clean the filter as follows.

Remove the battery cartridge from the tool.

Remove the sprocket cover and saw chain from the tool. (Refer to the section titled "Installing or removing saw chain".)

Remove the push nut using a slotted bit screwdriver with a slender shaft or the like. (Fig. 24)

Take the filter out of the chain saw and remove small dust or particles from it. When the filter is too dirty, replace it with a new one. **(Fig. 25)**

Insert the battery cartridge into the tool.

Pull the switch trigger to flow built-up dust or particles off the oil discharge hole by discharging chain oil. **(Fig. 26)**

Remove the battery cartridge from the tool.

Insert the cleaned oil filter into the oil discharge hole. When the filter is too dirty, replace it with a new one.

(Fig. 27)

Insert the push nut with its correct side facing up as shown in the figure into the oil discharge hole to secure the filter. When the filter cannot be secured with a disfigured push nut, replace the push nut with a new one.

(Fig. 28)

Reinstall the sprocket cover and saw chain on the tool.

Replacing the sprocket (Fig. 29 & 30)

Before fitting a new saw chain, check the condition of the sprocket.

⚠ CAUTION:

- A worn sprocket will damage a new saw chain. Have the sprocket replaced in this case. The sprocket need to be installed so that it always faces as shown in the figure.

Always fit a new locking ring when replacing the sprocket.

Replacing carbon brushes (Fig. 31 & 32)

Remove and check the carbon brushes regularly. Replace when they wear down to the limit mark. Keep the carbon brushes clean and free to slip in the holders. Both carbon brushes should be replaced at the same time. Use only identical carbon brushes.

Use a screwdriver to remove the brush holder caps. Take out the worn carbon brushes, insert the new ones and secure the brush holder caps.

Storing tool

Clean the tool before storing. Remove any chips and sawdust from the tool after removing the sprocket cover. After cleaning the tool, run it under no load to lubricate the saw chain and guide bar.

Cover the guide bar with the scabbard.

Remove oil from the oil tank to empty it and place the chain saw with the tank cap facing upward.

To maintain product SAFETY and RELIABILITY, repairs, any other maintenance or adjustment should be performed by Makita Authorized Service Centres, always using Makita replacement parts.

Instructions for periodic maintenance

To ensure long life, prevent damage and ensure the full functioning of the safety features the following maintenance must be performed regularly.

Warranty claims can be recognized only if this work is performed regularly and properly. Failure to perform the prescribed maintenance work can lead to accidents!

The user of the chain saw must not perform maintenance work which is not described in the instruction manual. All such work must be carried out by authorized service centre.

Item	Operating time	Before operation	Everyday	Every week	Every 3 month	Annually	Before storage
Chain Saw	Inspection.	○					
	Cleaning.		○				
	Check at authorized service center.					○	○
Saw chain	Inspection.	○					
	Sharpening if necessary.						○
Guide bar	Inspection.	○	○				
	Remove from the chain saw.						○
Chain lubrication	Check the oil feed rate.	○					
Switch trigger	Inspection.	○					
Lock-off button	Inspection.	○					
Oil tank cap	Check tightness.	○					
Chain catcher	Inspection.			○			
Screws and nuts	Inspection.			○			

014813

TROUBLE SHOOTING

Before asking for repairs, conduct your own inspection first. If you find a problem that is not explained in the manual, do not attempt to dismantle the tool. Instead, ask Makita Authorized Service Centers, always using Makita replacement parts for repairs.

Malfunction status	Cause	Action
Chain saw does not start.	Battery cartridge is not installed.	Install the charged battery cartridge.
	Battery problem (under voltage).	Recharge the battery cartridge. If recharging is not effective, replace battery cartridge.
Motor stops running after a little use.	Battery's charge level is low.	Recharge the battery cartridge. If recharging is not effective, replace battery cartridge.
No oil on the chain.	Oil tank is empty.	Fill the oil tank.
	Oil guide groove is dirty.	Clean the groove.
	Malfunction of oil pump.	Ask your local authorized service center for repair.
It does not reach maximum RPM.	Battery cartridge is installed improperly.	Install the battery cartridge as described in this manual.
	Battery's charge level is low.	Recharge the battery cartridge. If recharging is not effective, replace battery cartridge.
	The drive system does not work correctly.	Ask your local authorized service center for repair.
Chain does not stop: Stop the machine immediately!	Malfunction of switch.	Ask your local authorized service center for repair.
Abnormal vibration: Stop the machine immediately!	Loose guide bar or saw chain.	Adjust the guide bar and saw chain tension.
	Tool malfunction.	Ask your local authorized service center for repair.

014814

OPTIONAL ACCESSORIES

ENG905-1

CAUTION:

- These accessories or attachments are recommended for use with your Makita tool specified in this manual. The use of any other accessories or attachments might present a risk of injury to persons. Only use accessory or attachment for its stated purpose.

If you need any assistance for more details regarding these accessories, ask your local Makita Service Center.

- Various type of Makita genuine batteries and chargers
- Saw chain
- Scabbard
- Guide bar complete
- File

NOTE:

- Some items in the list may be included in the tool package as standard accessories. They may differ from country to country.

Noise

The typical A-weighted noise level determined according to EN60745:

Model DUC122

Sound pressure level (L_{pA}): 84.6 dB (A)

Sound power level (L_{WA}): 92.7 dB (A)

Uncertainty (K): 2 dB (A)

Wear ear protection

ENG900-1

Vibration

The vibration total value (tri-axial vector sum) determined according to EN60745:

Model DUC122

Work mode: cutting wood

Vibration emission (a_h): 4.3 m/s²

Uncertainty (K): 1.5 m/s²

- The declared vibration emission value has been measured in accordance with the standard test method and may be used for comparing one tool with another.
- The declared vibration emission value may also be used in a preliminary assessment of exposure.

⚠ WARNING:

- The vibration emission during actual use of the power tool can differ from the declared emission value depending on the ways in which the tool is used.
- Be sure to identify safety measures to protect the operator that are based on an estimation of exposure in the actual conditions of use (taking account of all parts of the operating cycle such as the times when the tool is switched off and when it is running idle in addition to the trigger time).

For European countries only

EC Declaration of Conformity

Makita declares that the following Machine(s):

Designation of Machine:

Cordless Chain Saw

Model No./ Type: DUC122

Specifications: see "SPECIFICATIONS" table.

Conforms to the following European Directives:

2000/14/EC, 2006/42/EC

They are manufactured in accordance with the following standard or standardized documents:

EN ISO 11681-2

The EC-Type Examination Certificate No. 4814056.14009

The EC-Type Examination per 2006/42/EC was performed by:

DEKRA Testing and Certification GmbH

Enderstraße 92b

01277 Dresden

Germany

Identification No. 2140

The technical file in accordance with 2006/42/EC is available from:

Makita, Jan-Baptist Vinkstraat 2, 3070, Belgium

The conformity assessment procedure required by Directive 2000/14/EC was in Accordance with annex V

Measured Sound Power Level: 93 dB (A)

Guaranteed Sound Power Level: 95 dB (A)

23.9.2014



Yasushi Fukaya

Director

Makita, Jan-Baptist Vinkstraat 2, 3070, Belgium

Descriptif

1	Témoign rouge	12	Ressort	20	Guide inférieur
2	Bouton	13	Pignon	21	Fourreau (cache de chaîne)
3	Batterie	14	Crochet	22	Écrou capuchon
4	Marque étoilée	15	Orifice	23	Tournevis à tête fendue
5	Bouton de sécurité	16	Bouchon du réservoir d'huile	24	Filtre
6	Gâchette	17	Fenêtre d'inspection du réservoir d'huile	25	Bague de blocage
7	Couvre-pignon	18	Ouverture du réservoir d'huile	26	Rondelle
8	Bouton	19	Guide de pointe	27	Trait de limite d'usure
9	Tranchant du maillon			28	Bouchons de porte-charbon
10	Guide de chaîne			29	Tournevis
11	Flèche				

SPÉCIFICATIONS

Modèle		DUC121	DUC122
Guide-chaîne standard	Longueur du guide-chaîne	115 mm	
	Longueur de coupe	11,5 cm	
	Type	Guide-chaîne pour sculpture	
Chaîne standard	Type	25 AP	
	Pas	6,35 mm (1/4")	
	Jauge	1,3 mm (0,05")	
	Nombre de maillons d'entraînement	42	
Pignon	Nombre de dents	9	
	Pas	6,35 mm (1/4")	
Longueur totale		422 mm	
Poids net		2,5 kg	2,6 kg
Vitesse de la chaîne (min ⁻¹)		4,8 m/s (290 m/min)	5,0 m/s (300 m/min)
Capacité du réservoir d'huile pour chaîne		80 cm ³	
Tension nominale		14,4 V CC	18 V CC

GEB119-1

• Étant donné l'évolution constante de notre programme de recherche et de développement, les spécifications contenues dans ce manuel sont sujettes à modification sans préavis.

• Les spécifications et la batterie peuvent être différentes suivant les pays.

• Poids, avec la batterie, conformément à la procédure EPTA-01/2003

AVERTISSEMENT : Associez correctement guide-chaîne et chaîne. Le non-respect de cette consigne peut entraîner des blessures.

ENE090-1

Utilisations

L'outil est conçu pour la coupe et l'élagage. Il est aussi adapté à l'entretien des arbres.

GEA010-1

Consignes de sécurité générales pour outils électriques

⚠ MISE EN GARDE Veuillez lire toutes les mises en garde et toutes les instructions. Il y a risque de choc électrique, d'incendie et/ou de blessure grave si les mises en garde et les instructions ne sont pas respectées.

Conservez toutes les mises en garde et instructions pour référence ultérieure.

CONSIGNES DE SÉCURITÉ POUR LA TRONÇONNEUSE SANS FIL :

- 1. Gardez toute partie du corps à l'écart de la chaîne pendant l'utilisation de la tronçonneuse. Avant de faire démarrer la tronçonneuse, assurez-vous que la chaîne n'entre en contact avec rien.** Tout moment d'inattention pendant l'utilisation d'une tronçonneuse comporte un risque de contact entre la chaîne et vos vêtements ou votre corps.
- 2. Lorsque vous tenez la tronçonneuse à deux mains, placez toujours votre main droite sur la poignée arrière et votre main gauche sur la poignée avant.** N'inversez jamais les mains pour tenir la tronçonneuse car il y a risque de blessure.
- 3. Tenez l'outil électrique uniquement par ses surfaces de poigne isolées, car la chaîne peut entrer en contact avec des câbles cachés.** Le contact de la chaîne avec un câble sous tension peut mettre les parties métalliques dénudées de l'outil sous tension et exposer l'utilisateur à un choc électrique.

4. **Portez des lunettes de sécurité et une protection d'oreilles. Il est recommandé de porter des dispositifs de protection supplémentaires pour la tête, les mains, les jambes et les pieds.** Le port de vêtements de protection adéquats réduit le risque de blessure causée par les débris éjectés ou par le contact avec la chaîne.
5. **Conservez toujours un bon appui.** Vous risquez de perdre l'équilibre ou la maîtrise de la tronçonneuse si vous travaillez sur une surface glissante ou instable.
6. **Lorsque vous coupez une branche tendue, prenez garde au retour de la branche.** Lorsque la tension exercée sur les fibres de la branche tendue est libérée, elle risque de frapper l'utilisateur et/ou de provoquer une perte de maîtrise de la tronçonneuse.
7. **Faites preuve d'une grande prudence lorsque vous coupez des broussailles ou des jeunes arbres.** Des fines pièces de bois, en se coinçant dans la chaîne, peuvent être projetées vers vous ou exercer une traction vous mettant hors d'équilibre.
8. **Pour transporter la tronçonneuse, coupez le contact, saisissez-la par la poignée avant et gardez-la éloignée du corps. Avant de transporter ou de ranger la tronçonneuse, installez toujours le protecteur du guide de chaîne.** Une manipulation adéquate de la tronçonneuse réduit le risque de contact avec la chaîne en mouvement.
9. **Suivez les instructions de lubrification, de réglage de la tension de la chaîne et de changement des accessoires.** Une chaîne mal tendue ou mal lubrifiée peut se casser ou augmenter les risques de choc en retour.
10. **Maintenez les poignées sèches, propres et exemptes d'huile et de graisse.** Les poignées grasses ou huileuses sont glissantes et peuvent causer une perte de maîtrise.
11. **Coupez uniquement dans le bois. N'utilisez pas la tronçonneuse pour des travaux autres que ceux pour lesquels elle a été conçue. Par exemple, ne l'utilisez pas pour couper le plastique, les matériaux de maçonnerie et les matériaux de construction autres que le bois.** L'utilisation de la tronçonneuse pour effectuer des travaux autres que ceux pour lesquels elle a été conçue comporte un risque de danger.
12. **Causes de choc en retour et mesures préventives à prendre :**

Il y a un risque de choc en retour lorsque le nez ou le bout du guide de chaîne touche un objet, ou lorsque le bois se referme et coince la chaîne dans sa ligne de coupe.

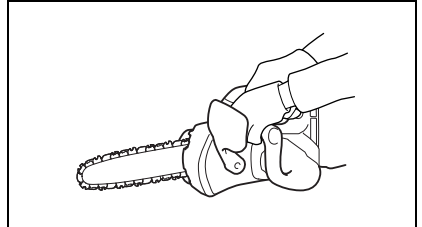
Le contact du bout, dans certains cas, peut entraîner une réaction instantanée en sens inverse, projetant le guide de chaîne vers le haut et vers l'utilisateur.

Le guide de chaîne risque d'être projeté vers l'utilisateur si la chaîne se coinçe le long de la partie supérieure du guide de chaîne.

L'une ou l'autre de ces réactions peut entraîner une perte de maîtrise de la scie et causer une grave blessure. Ne vous fiez pas uniquement aux dispositifs de sécurité intégrés à la scie. En tant qu'utilisateur de la tronçonneuse, vous devez prendre des mesures pour écarter les risques d'accident ou de blessure pendant le travail de coupe.

Le choc en retour est le résultat d'une mauvaise utilisation et/ou de procédures ou conditions inadéquates de travail. Il peut être évité en prenant les mesures appropriées, tel qu'indiqué ci-dessous :

- **Maintenez une prise ferme, avec les pouces et les doigts encerclant les poignées de la tronçonneuse, tenez la tronçonneuse à deux mains et placez le corps et les bras dans une position vous permettant de résister aux chocs en retour.** Les forces de choc en retour peuvent être contrôlées par l'utilisateur s'il prend les précautions nécessaires. Ne lâchez pas la tronçonneuse.



014673

- **Ne vous penchez pas trop en avant, et ne coupez pas plus haut qu'à la hauteur des épaules.** Cela aide à éviter le contact involontaire du bout et permet de mieux maîtriser la tronçonneuse dans les situations imprévues.
 - **Utilisez exclusivement les guides et chaînes spécifiés par le fabricant.** Un remplacement incorrect du guide ou de la chaîne peut causer le bris de la chaîne et/ou un choc en retour.
 - **Suivez les instructions du fabricant concernant l'affûtage et l'entretien de la tronçonneuse.** Le risque de choc en retour augmente si l'on abaisse la jauge de profondeur.
13. Avant de commencer le travail, assurez-vous que la tronçonneuse est en bon état et conforme aux réglementations de sécurité. Vérifiez tout particulièrement les points suivants :
 - Le frein de désamorçage fonctionne bien.
 - Le guide et le couvre-pignon sont posés correctement.
 - La chaîne est bien aiguisée et bien tendue, conformément aux réglementations.
 14. **Ne faites pas démarrer la tronçonneuse sans avoir retiré le cache de chaîne.** Si vous faites démarrer la tronçonneuse sans avoir retiré le cache de chaîne, celui-ci risquera d'être éjecté vers l'avant, ce qui comporte un risque de blessure et peut endommager les objets autour de l'utilisateur.

Consignes de sécurité spécifiques aux tronçonneuses munies d'une poignée supérieure

1. Cette tronçonneuse est spécialement conçue pour les soins et la chirurgie arboricoles. La tronçonneuse ne doit être utilisée que par des personnes correctement formées. Respectez toutes les instructions, procédures et recommandations de l'organisation professionnelle compétente. Le non-respect de cette consigne peut entraîner des accidents mortels. Nous vous recommandons de toujours utiliser une plateforme ou une nacelle élévatrices pour les travaux de coupe dans les arbres. Les techniques de rappel sont extrêmement dangereuses et nécessitent une formation spéciale. Les utilisateurs doivent être formés et familiarisés avec l'utilisation des équipements de sécurité et les techniques d'escalade. Utilisez toujours les harnais, cordes et mousquetons adaptés lorsque vous travaillez dans les arbres. Utilisez toujours des équipements de retenue pour l'utilisateur et la tronçonneuse.
2. Effectuez toujours le nettoyage et l'entretien conformément au manuel d'instructions avant remisage.
3. Assurez-vous que la tronçonneuse est dans une position sûre pendant le transport afin d'éviter toute fuite de carburant ou d'huile pour chaîne, toute détérioration de l'outil et toute blessure.
4. Ne faites pas le plein d'huile pour chaîne à proximité de flammes. Ne fumez jamais lorsque vous faites le plein d'huile pour chaîne.
5. L'utilisation de la tronçonneuse peut être restreinte par les réglementations nationales.
6. Si l'équipement subit un choc important ou tombe, vérifiez son état avant de continuer à travailler. Vérifiez le bon fonctionnement des commandes et des dispositifs de sécurité. En cas de détérioration ou de doute, demandez à un centre technique agréé de réaliser l'inspection et les réparations.
7. Maintenez fermement la tronçonneuse afin d'éviter tout dérapage ou rebond de la tronçonneuse lorsque vous commencez à couper.
8. Veillez à conserver votre équilibre lorsque vous arrivez à la fin de la coupe, car la tronçonneuse n'est plus soutenue.
9. Tenez compte de la direction et de la vitesse du vent. Évitez la sciure et le brouillard d'huile pour chaîne.

Équipement de protection

1. **Pour éviter les blessures à la tête, aux yeux, aux mains, aux pieds et les blessures auditives, portez les équipements et les vêtements de protection suivants lorsque vous utilisez la tronçonneuse :**
 - Portez des vêtements adaptés, c'est-à-dire ajustés, mais n'entravent pas vos mouvements. Ne portez pas de bijoux ou de vêtements risquant de s'accrocher dans les buissons ou les arbustes. Si vous avez les cheveux longs, portez une résille !
 - Il est nécessaire de porter un casque de protection lorsque vous utilisez la tronçonneuse. Vérifiez régulièrement l'absence de détérioration du **casque de protection**, remplacez-le au moins tous les 5 ans. Utilisez uniquement des casques de protection homologués.

- Le **masque de protection** du casque de protection (ou les lunettes de sécurité) protège de la sciure et des copeaux de bois. Lorsque vous utilisez la tronçonneuse, portez toujours des lunettes de sécurité ou un masque de protection pour éviter les blessures oculaires.
- Portez un **équipement de protection contre le bruit** adapté (protecteur d'oreilles, bouchons d'oreille, etc.)
- La **veste de protection** comporte 22 couches de nylon et protège l'utilisateur contre les coupures. Elle doit toujours être portée lors du travail en hauteur (plateforme ou nacelle élévatrices, plateforme fixe sur échelles, escalade à la corde).
- La **salopette de protection à bretelles** comporte 22 couches de nylon et protège contre les coupures. Son utilisation est fortement recommandée.
- Les **gants de protection** en cuir épais font partie de l'équipement prescrit, ils doivent toujours être portés pendant l'utilisation de la tronçonneuse.
- Lorsque vous utilisez la tronçonneuse, portez des **chaussures de sécurité** ou des **bottes de sécurité** à semelle antidérapante, embout de sécurité et protège-jambe. Les chaussures de sécurité munies d'une couche protectrice offrent une protection contre les coupures et assurent un bon appui. Pour le travail dans les arbres, les bottes de sécurité doivent être adaptées à l'escalade.

Vibrations

1. Les personnes souffrant de troubles de la circulation qui sont exposées à des vibrations excessives risquent de subir des lésions des vaisseaux sanguins ou du système nerveux.
Les vibrations peuvent entraîner l'apparition des symptômes suivants dans les doigts, mains ou poignets : engourdissement, picotements, douleur, sensation de coup de poignard, altération de la peau ou de la couleur de la peau.
Si l'un de ces symptômes survient, consultez un médecin !
Afin de réduire le risque de syndrome du doigt mort, gardez vos mains au chaud pendant que vous travaillez et entretenez correctement l'équipement et les accessoires.

CONSERVEZ CES INSTRUCTIONS.

AVERTISSEMENT :

NE vous laissez PAS tromper (au fil d'une utilisation répétée) par un sentiment d'aisance et de familiarité avec le produit, en négligeant le respect rigoureux des consignes de sécurité qui accompagnent le produit en question. La MAUVAISE UTILISATION de l'outil ou l'ignorance des consignes de sécurité indiquées dans ce manuel d'instructions peut entraîner une blessure grave.

CONSIGNES DE SÉCURITÉ IMPORTANTES

POUR LA BATTERIE

1. Avant d'utiliser la batterie, lisez toutes les instructions et précautions relatives (1) au chargeur de batterie, (2) à la batterie, et (3) à l'outil utilisant la batterie.
2. Ne démontez pas la batterie.
3. Cessez immédiatement l'utilisation si le temps de fonctionnement devient excessivement court. Il y a risque de surchauffe, de brûlures, voire d'explosion.
4. Si l'électrolyte pénètre dans vos yeux, rincez-les à l'eau claire et consultez immédiatement un médecin. Il y a risque de perte de la vue.
5. Ne court-circuitez pas la batterie :
 - (1) Ne touchez les bornes avec aucun matériau conducteur.
 - (2) Évitez de ranger la batterie dans un conteneur avec d'autres objets métalliques, par exemple des clous, des pièces de monnaie, etc.
 - (3) N'exposez pas la batterie à l'eau ou à la pluie. Un court-circuit de la batterie pourrait provoquer un fort courant, une surchauffe, parfois des brûlures et même une panne.
6. Ne rangez pas l'outil ou la batterie dans des endroits où la température risque d'atteindre ou de dépasser 50°C.
7. Ne jetez pas la batterie au feu même si elle est sérieusement endommagée ou complètement épuisée. La batterie peut exploser au contact du feu.
8. Prenez garde d'échapper ou de heurter la batterie.
9. N'utilisez pas une batterie abîmée.
10. Conformez-vous aux réglementations locales relatives à la mise au rebut des batteries.

CONSERVEZ CES INSTRUCTIONS.

Conseils pour assurer la durée de vie optimale de la batterie

1. Rechargez la batterie avant qu'elle ne soit complètement déchargée. Arrêtez toujours l'outil et rechargez la batterie quand vous remarquez que la puissance de l'outil diminue.
2. Ne rechargez jamais une batterie complètement chargée. La surcharge réduit la durée de service de la batterie.
3. Chargez la batterie alors que la température de la pièce se trouve entre 10°C et 40°C. Avant de charger une batterie chaude, laissez-la refroidir.
4. Chargez la batterie tous les six mois si elle reste inutilisée pendant une période prolongée.

DESCRIPTION DU FONCTIONNEMENT

⚠ ATTENTION :

- Assurez-vous toujours que l'outil est hors tension et que sa batterie est retirée avant de l'ajuster ou de vérifier son fonctionnement.

Installation ou retrait de la batterie (Fig. 1)

- Mettez toujours l'outil hors tension avant d'installer ou de retirer la batterie.
- **Lorsque vous posez ou retirez la batterie, tenez fermement l'outil et la batterie.**

Si vous ne tenez pas fermement l'outil et la batterie, il se peut vous glisser des mains, et s'abîmer ou vous blesser.

Pour retirer la batterie, faites-la glisser hors de l'outil tout en faisant glisser le bouton qui se trouve à l'avant de la batterie.

Pour poser la batterie, alignez sa languette sur la rainure à l'intérieur du carter, et faites-la glisser en place. Insérez-la à fond, jusqu'à ce qu'elle se mette en place avec un léger dé clic. Si vous pouvez voir l'indicateur rouge du côté supérieur du bouton, la batterie n'est pas complètement verrouillée.

⚠ ATTENTION :

- Insérez toujours la batterie à fond, jusqu'à ce que l'indicateur rouge ne soit plus visible. Sinon, elle pourrait tomber accidentellement de l'outil, au risque de vous blesser ou de blesser quelqu'un se trouvant près de vous.
- Ne forcez pas pour insérer la batterie. Si elle ne glisse pas facilement, c'est que vous ne l'insérez pas correctement.

Dispositif de protection de la batterie (batterie au lithium-ion avec marque étoilée) (Fig. 2)

Les batteries au lithium-ion avec une marque étoilée sont dotées d'un dispositif de protection. Ce dispositif coupe automatiquement l'alimentation de l'outil pour prolonger la durée de service de la batterie.

Si l'outil et/ou la batterie se trouve dans l'une ou l'autre des situations suivantes, l'outil cessera automatiquement de fonctionner.

- Surchargé :
L'outil est utilisé de manière telle qu'il consomme un courant anormalement élevé.
Il faut alors libérer la gâchette de l'outil et cesser l'application qui cause la surcharge. Tirez ensuite de nouveau sur la gâchette pour redémarrer.
Si l'outil ne démarre pas, cela signifie que la batterie est trop chaude. Il faut alors laisser refroidir la batterie avant de tirer de nouveau sur la gâchette.
- Faible tension de la batterie :
La charge restante de la batterie étant trop faible, l'outil ne fonctionne pas. Il faut alors retirer la batterie et la recharger.

Interrupteur (Fig. 3)

⚠ ATTENTION :

- Avant d'insérer la batterie dans l'outil, vérifiez toujours que la gâchette fonctionne correctement et qu'elle revient sur la position "OFF" quand vous la relâchez.

Pour éviter tout déclenchement accidentel de la gâchette, un bouton de sécurité a été prévu.

Pour démarrer l'outil, appuyez sur le bouton de sécurité et tirez sur la gâchette. Pour l'arrêter, relâchez la gâchette.

ASSEMBLAGE

ATTENTION :

- Assurez-vous toujours que l'outil est hors tension et que sa batterie est retirée avant d'effectuer tout travail dessus.

Installation ou retrait de la chaîne de scie

ATTENTION :

- Assurez-vous toujours que l'outil est hors tension et que la batterie est retirée avant d'installer ou de retirer la chaîne de scie.
- Portez toujours des gants pour installer ou retirer la chaîne de scie.
- N'utilisez la chaîne et le guide de chaîne qu'avec un bout de guide conçu pour cette tronçonneuse (voir la liste des pièces de rechange).
- Pour éviter les chocs en retour, ne retirez pas le bout de guide et ne remplacez pas le guide de chaîne par un autre sans bout de guide.

Desserrez la vis en tournant le bouton dans le sens contraire des aiguilles d'une montre jusqu'à ce que le couvre-pignon se détache. (Fig. 4)

Retirez le couvre-pignon.

Retirez la chaîne et le guide de chaîne de l'outil.

Placez une extrémité de la chaîne sur le dessus du guide de chaîne. Il faut alors placer la chaîne comme indiqué sur l'illustration, car elle tourne dans le sens de la flèche. (Fig. 5)

Placez la chaîne de sorte que le ressort se trouve à l'intérieur de celle-ci et placez l'autre extrémité de la chaîne autour du pignon, comme illustré sur la figure. (Fig. 6)

Tout en tournant le guide de chaîne dans le sens contraire des aiguilles d'une montre, installez-le de sorte que son extrémité touche le ressort. (Fig. 7)

Insérez le crochet du couvre-pignon dans l'orifice de l'outil, puis posez le couvre-pignon sur l'outil. (Fig. 8)

Tournez le bouton dans le sens des aiguilles d'une montre pour serrer la vis fermement. (Fig. 9)

Réglage de la tension de la chaîne (Fig. 10 et 11)

Vous pouvez régler la tension de la chaîne en desserrant légèrement la vis. Après le réglage, resserrez la vis fermement.

ATTENTION :

- Les chaînes neuves ont tendance à se desserrer pendant un certain temps après l'installation. Vérifiez la tension de la chaîne de temps à autre avant d'utiliser la tronçonneuse.
- La chaîne risque de se déplacer si elle n'est pas bien tendue.
- L'installation et le retrait de la chaîne doivent être effectués dans un emplacement propre, sans sciure de bois, etc.

Griffe de butée (accessoire en option) (Fig. 12)

Pour installer la griffe de butée, procédez comme suit :

1. Enlevez le couvre-pignon, la chaîne et le guide-chaîne comme décrit dans le présent manuel d'instructions.
2. Alignez les trous de la griffe de butée avec ceux de la tronçonneuse.
3. Fixez-la en serrant fermement les vis.

OPÉRATION

Lubrification (Fig. 13)

La chaîne se lubrifie automatiquement pendant l'utilisation de l'outil.

Vérifiez la quantité d'huile restante par la fenêtre d'inspection du réservoir d'huile.

Pour remplir le réservoir, retirez le bouchon posé sur l'ouverture du réservoir d'huile.

Une fois le réservoir rempli, n'oubliez pas de visser le bouchon du réservoir d'huile sur la tronçonneuse.

ATTENTION :

- La première fois que vous faites le plein d'huile sur la tronçonneuse, ou lorsque vous refaites le plein après avoir complètement vidé le réservoir d'huile, ajoutez de l'huile jusqu'au bord inférieur du goulot de remplissage. Autrement l'alimentation en huile risque d'être affectée.
- Pour huiler la chaîne, utilisez exclusivement de l'huile à chaîne Makita ou une huile similaire disponible en magasin.
- N'utilisez jamais d'huile contenant des poussières ou particules, ni de l'huile volatile.
- Pour élaguer les arbres, utilisez une huile végétale. L'huile minérale risquerait d'endommager les arbres.
- Ne forcez jamais la tronçonneuse lorsque vous élaguez des arbres.
- Avant de tronçonner, assurez-vous que le bouchon est bien vissé en place sur le réservoir d'huile.

Gardez la tronçonneuse à l'écart de l'arbre. Démarrez-la et attendez que la chaîne soit bien lubrifiée.

Avant de mettre le contact, mettez le guide de pointe/guide inférieur en contact avec la branche à couper. Le guide de chaîne risque de trembler et vous risquez de vous blesser si vous procédez à la coupe sans mettre le guide de pointe/guide inférieur en contact avec la branche.

Déplacez simplement la tronçonneuse vers le bas pour couper la branche.

Elagage des arbres

ATTENTION :

- Eloignez toutes les parties du corps de la chaîne lorsque le moteur fonctionne.
- Tenez la tronçonneuse fermement des deux mains lorsque le moteur tourne.
- Ne vous penchez pas trop. Gardez une bonne assise et un bon équilibre en tout temps.

Avant de mettre le contact, mettez le guide de pointe/guide inférieur en contact avec la branche à couper. Le guide de chaîne risque de trembler et vous risquez de vous blesser si vous procédez à la coupe sans mettre le guide de pointe/guide inférieur en contact avec la branche. (Fig. 14 et 15)

Pour couper de grosses branches, commencez par faire une entaille peu profonde sous la branche, puis terminez la coupe en procédant par le haut. (Fig. 16)

Si vous essayez de couper les grosses branches par le bas, la branche risque de s'affaisser et de coincer la chaîne dans la découpe. Par ailleurs, si vous essayez de couper les grosses branches à partir du haut sans faire une légère entaille sous la branche, la branche risque de se fendre. (Fig. 17)

Si vous n'arrivez pas à couper complètement la branche d'un seul coup :

Appuyez légèrement sur la poignée et continuez à scier et déplacez la scie à chaîne d'avant en arrière ; puis dirigez la pointe un peu plus vers le bas et terminez la coupe en relevant la poignée. (Fig. 18)

Transport de l'outil (Fig. 19)

Sortez toujours la batterie de l'outil et recouvrez le guide avec le fourreau avant de transporter l'outil. Recouvrez également la batterie avec le cache de la batterie.

ENTRETIEN

⚠ ATTENTION :

- Assurez-vous toujours que l'outil est hors tension et que la batterie est retirée avant d'y effectuer tout travail d'inspection ou d'entretien.
- Portez toujours des gants pour effectuer toute opération d'inspection ou d'entretien.
- N'utilisez jamais d'essence, benzène, diluant, alcool ou autre produit similaire. Cela risquerait de provoquer la décoloration, la déformation ou la fissuration de l'outil.

Affûtage de la chaîne

⚠ ATTENTION :

- Retirez toujours la batterie et portez des gants de protection lorsque vous travaillez avec la tronçonneuse.

Affûtez la chaîne si :

- de la sciure de bois granuleuse est produite lorsque vous coupez du bois humide ;
- la chaîne pénètre difficilement dans le bois même si vous appliquez une forte pression ;
- le tranchant est nettement endommagé ;
- la tronçonneuse tire vers la gauche et la droite dans le bois. Cela est dû à un affûtage inégal de la chaîne ou au fait qu'elle est endommagée d'un côté seulement. (Fig. 20)

Affûtez la chaîne régulièrement, mais en ne retirant chaque fois qu'une petite quantité de matériau.

Deux ou trois coups de lime suffisent généralement pour l'affûtage de routine. Après plusieurs affûtages de la chaîne, faites-la affûter par un centre de réparation agréé MAKITA.

Lime et limage (Fig. 21)

- Pour affûter la chaîne, utilisez une lime ronde spéciale (accessoire en option) pour chaînes de tronçonneuse, d'un diamètre de 4 mm. N'utilisez pas une lime ronde ordinaire.
- La lime ne doit toucher le matériau que lors du limage vers l'avant. Au retour, soulevez la lime pour ne pas qu'elle touche le matériau.
- Affûtez d'abord le tranchant du maillon le plus court. La longueur de ce maillon servira de dimension de la jauge pour tous les autres maillons de la chaîne.
- Passez la lime tel qu'indiqué sur l'illustration.
- Le limage sera plus facile si vous employez un porte-lime (accessoire). Des symboles sont apposés sur le porte-lime pour indiquer le bon angle d'affûtage de 30° (alignez les symboles parallèlement à la chaîne) et les limites de profondeur de pénétration (jusqu'à 4/5 du diamètre de la lime).

Passez la lime tel qu'indiqué sur l'illustration. (Fig. 22)

- Une fois la chaîne affûtée, vérifiez la hauteur de la jauge de profondeur à l'aide de l'outil de jauge de la chaîne (accessoire en option).
- Retirez toute aspérité restante, aussi petite soit-elle, à l'aide d'une lime plate spéciale (accessoire en option).
- Arrondissez encore une fois l'avant de la jauge de profondeur.
- Essayez les poussières et particules de la chaîne après avoir ajusté la hauteur de la jauge de profondeur.

Nettoyage du guide (Fig. 23)

Les copeaux et la sciure s'accumulent dans la rainure du guide, ce qui la colmate et entrave la bonne répartition de l'huile. Enlevez toujours les copeaux et la sciure lorsque vous affûtez ou que vous remplacez la chaîne de scie.

Nettoyage du filtre à huile dans l'orifice d'alimentation en huile

Des poussières ou particules peuvent s'accumuler dans le filtre à huile de l'orifice d'alimentation en huile pendant l'utilisation.

Les poussières ou particules accumulées dans le filtre à huile peuvent affecter l'alimentation en huile et causer une lubrification insuffisante de la chaîne.

Lorsque l'alimentation en huile ne s'effectue pas correctement sur la partie supérieure du guide de chaîne, nettoyez le filtre en procédant comme suit.

Retirez la batterie de l'outil.

Retirez le couvre-pignon et la chaîne de l'outil. (Reportez-vous à la section intitulée "Installation ou retrait de la chaîne de scie".)

Retirez l'écrou capuchon à l'aide d'un tournevis à tête fendue et à tige mince, ou d'un objet similaire. (Fig. 24)

Retirez le filtre de la tronçonneuse et essuyez toutes les poussières ou particules. Si le filtre est trop sale, remplacez-le par un neuf. (Fig. 25)

Insérez la batterie dans l'outil.

Appuyez sur la gâchette pour que les poussières et particules accumulées dans l'orifice d'alimentation en huile soient évacuées par l'alimentation en huile. (Fig. 26)

Retirez la batterie de l'outil.

Insérez le filtre à huile nettoyé dans l'orifice d'alimentation en huile. Si le filtre est trop sale, remplacez-le par un neuf. (Fig. 27)

Insérez l'écrou capuchon dans l'orifice d'alimentation en huile pour fixer le filtre, en plaçant le bon côté de l'écrou capuchon vers le haut, tel qu'indiqué sur l'illustration. Si l'écrou capuchon est déformé et que vous n'arrivez pas à fixer le filtre, remplacez-le par un écrou capuchon neuf. (Fig. 28)

Remettez en place le couvre-pignon et la chaîne sur l'outil.

Remplacement du pignon (Fig. 29 et 30)

Avant de poser une chaîne neuve, vérifiez l'état du pignon.

⚠ ATTENTION :

- La chaîne neuve sera endommagée si le pignon est usé. Le cas échéant, faites remplacer le pignon. Le pignon doit être installé de sorte qu'il soit toujours orienté comme indiqué sur l'illustration.

Posez toujours une bague de blocage neuve lorsque vous remplacez le pignon.

Remplacement des charbons (Fig. 31 et 32)

Retirez et vérifiez régulièrement les charbons. Remplacez-les lorsqu'ils sont usés jusqu'au trait de limite d'usure. Maintenez les charbons propres et en état de glisser aisément dans les porte-charbon. Les deux charbons doivent être remplacés en même temps. N'utilisez que des charbons identiques.

Utilisez un tournevis pour retirer les bouchons de porte-charbon. Enlevez les charbons usés, insérez-en de nouveaux et revissez solidement les bouchons de porte-charbon.

Rangement de l'outil

Nettoyez l'outil avant de le ranger. Essuyez les copeaux et la sciure de bois qui recouvrent l'outil après avoir retiré le couvre-pignon. Après avoir nettoyé l'outil, faites le tourner à vide pour lubrifier la chaîne et le guide de chaîne.

Recouvrez le guide de chaîne avec le fourreau.

Videz le réservoir d'huile et posez la tronçonneuse avec le bouchon du réservoir vers le haut.

Pour maintenir la SÉCURITÉ et la FIABILITÉ du produit, les réparations et tout autre travail d'entretien ou de réglage doivent être effectués dans un centre de service après-vente Makita agréé, exclusivement avec des pièces de rechange Makita.

Instructions d'entretien périodique

Pour assurer une bonne longévité, éviter les détériorations et garantir le bon fonctionnement des dispositifs de sécurité, réalisez régulièrement les travaux d'entretien suivants.

La garantie n'est accordée que si ces travaux sont réalisés régulièrement et correctement. Le non-respect des obligations relatives aux travaux d'entretien peut entraîner des accidents !

L'utilisateur de la tronçonneuse ne doit pas réaliser de travaux d'entretien non décrits dans le manuel d'instruction. Ces travaux doivent être effectués par un centre technique agréé.

Élément	Durée de fonctionnement	Avant utilisation	Chaque jour	Chaque semaine	Tous les 3 mois	Tous les ans	Avant remisage
Tronçonneuse	Inspection.	<input type="radio"/>					
	Nettoyage.		<input type="radio"/>				
	Vérification par un centre technique agréé.					<input type="radio"/>	<input type="radio"/>
Chaîne	Inspection.	<input type="radio"/>					
	Aiguisage si nécessaire.						<input type="radio"/>
Guide-chaîne	Inspection.	<input type="radio"/>	<input type="radio"/>				
	Démontage.						<input type="radio"/>
Lubrification de la chaîne	Vérification du débit de l'alimentation en huile.	<input type="radio"/>					
Gâchette	Inspection.	<input type="radio"/>					
Bouton de sécurité	Inspection.	<input type="radio"/>					
Bouchon du réservoir de carburant	Vérification du serrage.	<input type="radio"/>					
Attrape-chaîne	Inspection.			<input type="radio"/>			
Vis et écrous	Inspection.			<input type="radio"/>			

014813

DÉPANNAGE

Avant de faire faire une réparation, effectuez votre propre inspection. Si vous rencontrez un problème non décrit dans le présent manuel, n'essayez pas de démonter l'outil. Confiez-le à un centre technique agréé Makita, qui utilise toujours des pièces de rechange Makita pour les réparations.

Dysfonctionnement	Cause	Remède
La tronçonneuse ne démarre pas.	La batterie n'est pas installée.	Installez la batterie chargée.
	Problème de batterie (sous tension).	Rechargez la batterie. Si vous n'arrivez pas à recharger la batterie, remplacez-la.
Le moteur arrête de tourner après une courte utilisation.	Faible niveau de charge de la batterie.	Rechargez la batterie. Si vous n'arrivez pas à recharger la batterie, remplacez-la.
Pas d'huile sur la chaîne.	Réservoir d'huile vide.	Remplissez le réservoir d'huile.
	La rainure de lubrification est encrassée.	Nettoyez la rainure de lubrification.
	Dysfonctionnement de la pompe à huile.	Demandez à un centre technique agréé de réaliser les réparations.
Impossible d'atteindre le plein régime.	La batterie est mal installée.	Installez la batterie comme décrit dans le présent manuel.
	Faible niveau de charge de la batterie.	Rechargez la batterie. Si vous n'arrivez pas à recharger la batterie, remplacez-la.
	Le système d'entraînement ne fonctionne pas correctement.	Demandez à un centre technique agréé de réaliser les réparations.
La chaîne ne s'arrête pas : arrêtez immédiatement la machine !	Dysfonctionnement de la gâchette.	Demandez à un centre technique agréé de réaliser les réparations.
Vibrations anormales : arrêtez immédiatement la machine !	Guide-chaîne ou chaîne desserrés.	Réglez le guide-chaîne et la tension de la chaîne.
	Dysfonctionnement de l'outil.	Demandez à un centre technique agréé de réaliser les réparations.

014814

ACCESSOIRES EN OPTION

⚠ ATTENTION :

- Ces accessoires ou pièces complémentaires sont recommandés pour l'utilisation avec l'outil Makita spécifié dans ce mode d'emploi. L'utilisation de tout autre accessoire ou pièce complémentaire peut comporter un risque de blessure. N'utilisez les accessoires ou pièces qu'aux fins auxquelles ils ont été conçus.

Si vous désirez obtenir plus de détails concernant ces accessoires, veuillez contacter le centre de service après-vente Makita le plus près.

- Les divers types de batteries et chargeurs Makita authentiques
- Chaîne
- Fourreau
- Guide de chaîne complet
- Lime

NOTE :

- Il se peut que certains éléments de la liste soient compris dans l'emballage de l'outil en tant qu'accessoires standard. Ils peuvent varier d'un pays à l'autre.

ENG905-1

Bruit

Niveau de bruit pondéré A typique, déterminé selon EN60745 :

Modèle DUC122

Niveau de pression sonore (L_{pA}) : 84,6 dB (A)

Niveau de puissance sonore (L_{WA}) : 92,7 dB (A)

Incertitude (K) : 2 dB (A)

Porter des protecteurs anti-bruit

ENG900-1

Vibrations

Valeur totale de vibrations (somme de vecteur triaxial) déterminée selon EN60745 :

Modèle DUC122

Mode de travail : coupe du bois

Émission de vibrations (a_h) : 4,3 m/s²

Incertitude (K) : 1,5 m/s²

- La valeur d'émission de vibrations déclarée a été mesurée conformément à la méthode de test standard et peut être utilisée pour comparer les outils entre eux.
- La valeur d'émission de vibrations déclarée peut aussi être utilisée pour l'évaluation préliminaire de l'exposition.

⚠ AVERTISSEMENT :

- L'émission de vibrations lors de l'usage réel de l'outil électrique peut être différente de la valeur d'émission déclarée, suivant la façon dont l'outil est utilisé.
- Les mesures de sécurité à prendre pour protéger l'utilisateur doivent être basées sur une estimation de l'exposition dans des conditions réelles d'utilisation (en tenant compte de toutes les composantes du cycle d'utilisation, comme par exemple le moment de sa mise hors tension, lorsqu'il tourne à vide et le moment de son déclenchement).

ENH030-5

Pour les pays d'Europe uniquement

Déclaration de conformité CE

Makita déclare que la (les) machine(s) suivante(s) :

Désignation de la machine :

Tronçonneuse sans Fil

N° de modèle / Type : DUC122

Spécifications : voir le tableau "SPÉCIFICATIONS".

sont conformes aux directives européennes suivantes :

2000/14/CE, 2006/42/CE

et sont fabriquées conformément aux normes ou aux documents normalisés suivants :

EN ISO 11681-2

N° certifié de l'examen de type CE 4814056.14009

L'examen de type CE pour 2006/42/CE a été effectué par :

DEKRA Testing and Certification GmbH

Enderstraße 92b

01277 Dresden

Allemagne

N° d'identification 2140

La documentation technique conforme à la norme 2006/42/CE est disponible auprès de :

Makita, Jan-Baptist Vinkstraat 2, 3070, Belgique

La procédure d'évaluation de la conformité requise par la Directive 2000/14/CE a été réalisée conformément à l'Annexe V.

Niveau de puissance sonore mesuré : 93 dB (A)

Niveau de puissance sonore garanti : 95 dB (A)

23.9.2014



Yasushi Fukaya

Directeur

Makita, Jan-Baptist Vinkstraat 2, 3070, Belgique

Übersicht

1 Rote Anzeige	11 Pfeil	21 Sägekettenschutz
2 Verriegelungstaste	12 Feder	22 Druckmutter
3 Akku	13 Kettenrad	23 Schlitzschraubenzieher
4 Sternsymbol	14 Haken	24 Filter
5 Einschaltarretierung	15 Loch	25 Sicherungsring
6 Schalter	16 Öltankverschluss	26 Unterlegscheibe
7 Kettenraddeckel	17 Ölstand-Prüf fenster	27 Verschleißgrenze
8 Knopf	18 Öltanköffnung	28 Bürstenhalterkappe
9 Zahn	19 Schwertspitzenführung	29 Schraubendreher
10 Schwert	20 Untere Führung	

TECHNISCHE DATEN

Modell		DUC121	DUC122
Standard-Schwert	Schwertlänge	115 mm	
	Schnittlänge	11,5 cm	
	Typ	Carving-Schwert	
Standard-Sägekette	Typ	25 AP	
	Teilung	6,35 mm (1/4")	
	Treibgliedstärke	1,3 mm (0,05")	
	Treibglieder	42	
Kettenrad	Zähnezahl	9	
	Teilung	6,35 mm (1/4")	
Gesamtlänge		422 mm	
Nettogewicht		2,5 kg	2,6 kg
Kettengeschwindigkeit pro Minute (min ⁻¹)		4,8 m/s (290 m/min)	5,0 m/s (300 m/min)
Kettenöltank-Inhalt		80 cm ³	
Nennspannung		D.C. 14,4 V	D.C. 18 V

- Wir behalten uns vor, Änderungen im Zuge der Entwicklung und des technischen Fortschritts ohne vorherige Ankündigung vorzunehmen.
 - Die technischen Daten und der Blockakku können von Land zu Land unterschiedlich sein.
 - Gewicht mit Akku nach EPTA-Verfahren 01/2003
- WARNUNG: Verwenden Sie eine geeignete Kombination von Schwert und Sägekette. Anderenfalls kann es zu Personenschaden kommen.

ENE090-1

Vorgesehene Verwendung

Das Werkzeug ist für das Schneiden von Ästen / Stützen von Bäumen vorgesehen. Es eignet sich auch für Baumpflege.

GEA010-1

Allgemeine Sicherheitswarnungen für Elektrowerkzeuge

⚠️ WARNUNG Lesen Sie alle Sicherheitswarnungen und Anweisungen durch. Eine Missachtung der unten aufgeführten Warnungen und Anweisungen kann zu einem elektrischen Schlag, Brand und/oder schweren Verletzungen führen.

Bewahren Sie alle Warnungen und Anweisungen für spätere Bezugnahme auf.

GEB119-1

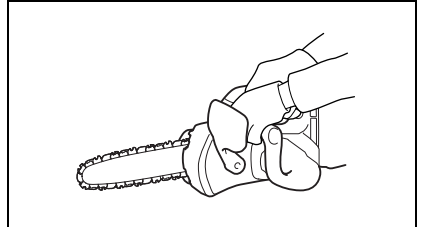
SICHERHEITSWARNUNGEN FÜR AKKU-KETTENSÄGE:

1. **Halten Sie alle Körperteile während des Betriebs der Kettensäge von der Sägekette fern. Vergewissern Sie sich vor dem Einschalten der Kettensäge, dass die Sägekette nicht mit irgendeinem Gegenstand in Berührung ist.** Ein Augenblick der Unaufmerksamkeit während des Betriebs von Kettensägen kann dazu führen, dass Ihre Kleidung oder Körperteile von der Sägekette erfasst werden.
2. **Halten Sie die Kettensäge bei beidhändiger Arbeit stets mit Ihrer rechten Hand am hinteren Griff und mit Ihrer linken Hand am vorderen Griff.** Das Halten der Kettensäge mit vertauschter Handhaltung führt zu erhöhter Verletzungsgefahr und ist daher unbedingt zu vermeiden.
3. **Halten Sie das Elektrowerkzeug nur an den isolierten Griffflächen, weil die Gefahr besteht, dass die Sägekette verborgene Kabel kontaktiert.** Bei Kontakt mit einem Strom führenden Kabel können die freiliegenden Metallteile des Elektrowerkzeugs ebenfalls Strom führend werden, so dass der Benutzer einen elektrischen Schlag erleiden kann.

4. **Tragen Sie eine Schutzbrille und einen Gehörschutz. Zusätzliche Schutzausrüstung für Kopf, Hände, Beine und Füße wird empfohlen.** Geeignete Schutzkleidung reduziert die Verletzungsgefahr durch fliegende Trümmer oder versehentlichen Kontakt mit der Sägekette.
5. **Achten Sie stets auf sicheren Stand.** Schlüpfrige oder instabile Standflächen können zu einem Verlust der Balance oder der Kontrolle über die Kettensäge führen.
6. **Wenn Sie einen unter Spannung stehenden Ast abschneiden, achten Sie auf Zurückschellen.** Wenn sich die Spannung in den Holzfasern entlädt, kann der unter Spannung stehende Ast die Bedienungsperson treffen und/oder die Kettensäge außer Kontrolle bringen.
7. **Lassen Sie beim Schneiden von Gestrüpp und jungen Bäumen äußerste Vorsicht walten.** Die dünnen Äste können an der Sägekette hängen bleiben und gegen Sie geschleudert werden oder Sie aus dem Gleichgewicht bringen.
8. **Tragen Sie die Kettensäge nach dem Ausschalten mit Abstand zu Ihrem Körper am vorderen Griff. Bringen Sie zum Transportieren oder Lagern der Kettensäge stets die Schwertschutzhülle an.** Sachgemäße Handhabung der Kettensäge reduziert die Wahrscheinlichkeit einer versehentlichen Berührung der umlaufenden Sägekette.
9. **Befolgen Sie die Anweisungen für die Schmierung, die Kettenspannung und den Austausch von Zubehör.** Eine unsachgemäß gespannte oder geschmierte Kette kann entweder reißen oder die Gefahr von Rückschlägen erhöhen.
10. **Halten Sie die Griffe trocken, sauber und frei von Öl und Fett.** Fett- und överschmierte Griffe sind schlüpfrig und verursachen den Verlust der Kontrolle.
11. **Schneiden Sie nur Holz. Verwenden Sie die Kettensäge nicht für sachfremde Zwecke. Zum Beispiel: Verwenden Sie die Kettensäge nicht zum Schneiden von Kunststoff, Mauerwerk oder Nicht-Holz-Baumaterial.** Der Gebrauch der Kettensäge für sachfremde Zwecke kann zu einer Gefahrensituation führen.
12. **Ursachen und Verhütung von Rückschlägen:**
Rückschläge können auftreten, wenn die Nase oder Spitze des Schwerts ein Objekt berührt, oder wenn sich das Holz schließt und die Sägekette im Schnitt einklemmt.
Spitzenkontakt kann in manchen Fällen eine plötzliche Gegenreaktion verursachen, so dass das Schwert nach oben oder hinten zur Bedienungsperson geschleudert wird.
Durch Einklemmen der Sägekette entlang dem oberen Lauf des Schwerts kann das Schwert zur Bedienungsperson zurückgeschleudert werden.
Jede dieser Reaktionen kann zu einem Verlust der Kontrolle über die Säge und daraus resultierenden schweren Verletzungen führen. Verlassen Sie sich nicht ausschließlich auf die in Ihre Säge eingebauten Sicherheitsvorrichtungen. Als Kettensägenbenutzer sollten Sie bestimmte Maßnahmen ergreifen, um Ihre Sägearbeiten unfall- und verletzungsfrei zu halten.

Rückschlag ist das Resultat falscher Handhabung der Maschine und/oder falscher Arbeitsverfahren oder -bedingungen und kann durch Anwendung der nachstehenden Vorsichtsmaßnahmen vermieden werden:

- **Halten Sie die Kettensäge beidhändig mit festem Griff, wobei Ihre Daumen und Finger die Griffe umschließen, und positionieren Sie Körper und Arme so, dass Sie Rückschlagkräfte auffangen können.** Rückschlagkräfte können durch Treffen geeigneter Vorsichtsmaßnahmen von der Bedienungsperson kontrolliert werden. Lassen Sie die Kettensäge nicht los.



014673

- **Übernehmen Sie sich nicht, und schneiden Sie nicht oberhalb der Schulterhöhe.** Dies trägt zur Verhütung unbeabsichtigten Spitzenkontakts bei und ermöglicht bessere Kontrolle der Kettensäge in unerwarteten Situationen.
 - **Verwenden Sie nur vom Hersteller empfohlene Schwerter und Ketten.** Ungeeignete Schwerter und Ketten können Kettenbruch und/oder Rückschlag verursachen.
 - **Befolgen Sie die Herstelleranweisungen zum Schärfen und Warten der Sägekette.** Eine Verringerung der Tiefenanschlaghöhe kann zu vermehrten Rückschlägen führen.
13. Stellen Sie vor Arbeitsbeginn sicher, dass die Kettensäge in einwandfreiem Betriebszustand ist, und dass ihr Zustand den Sicherheitsvorschriften entspricht. Prüfen Sie insbesondere, dass:
 - Die Auslaufbremse einwandfrei funktioniert;
 - Schwert und Kettenraddeckel korrekt angebracht sind;
 - Die Kette geschärft und vorschriftsmäßig gespannt worden ist;
 14. **Schalten Sie die Kettensäge nicht mit noch angebrachtem Kettenschutz ein.** Wird die Kettensäge mit noch angebrachtem Kettenschutz eingeschaltet, kann der Kettenschutz nach vorn herausgeschleudert werden, was zu Personenverletzungen und Beschädigung von Gegenständen im Umfeld des Bedieners führen kann.

Spezielle Sicherheitshinweise für Obergriff-Kettensäge

1. Diese Kettensäge ist speziell für Baumpflege und Baumchirurgie vorgesehen. Die Kettensäge darf nur von fachlich geschulten Personen benutzt werden. Befolgen Sie alle Anweisungen, Verfahrensweisen und Empfehlungen der relevanten Berufsgenossenschaft. Anderenfalls können tödliche Unfälle auftreten. Zum Sägen in Bäumen wird stets die Verwendung einer Hebebühne (Hubkorb, Lift) empfohlen. Abseiltechniken sind äußerst gefährlich und erfordern eine spezielle Ausbildung. Die Bedienungspersonen müssen im Gebrauch von Sicherheitsausrüstung und Klettertechniken geschult werden. Beim Arbeiten in Bäumen müssen stets geeignete Gurte, Seile und Karabinerhaken verwendet werden. Benutzen Sie stets Rückhaltevorrichtungen für Bedienungsperson und Säge.
2. Führen Sie Reinigung und Wartung vor der Lagerung gemäß der Bedienungsanleitung durch.
3. Achten Sie beim Kfz-Transport auf sichere Lage der Kettensäge, um Auslaufen von Kraftstoff oder Kettenöl, Beschädigung des Werkzeugs und Personenschaden zu vermeiden.
4. Füllen Sie Kettenöl nicht in der Nähe von Feuer ein. Rauchen Sie auf keinen Fall beim Einfüllen von Kettenöl.
5. Der Gebrauch der Kettensäge kann durch Vorschriften des jeweiligen Landes eingeschränkt sein.
6. Falls das Gerät einen schweren Aufprall oder Sturz erleidet, überprüfen Sie seinen Zustand, bevor Sie die Arbeit fortsetzen. Überprüfen Sie die Bedienelemente und Sicherheitsvorrichtungen auf Fehlfunktionen. Falls Sie einen Schaden feststellen oder Zweifel haben, wenden Sie sich bezüglich einer Inspektion und Reparatur an unser autorisiertes Service-Center.
7. Halten Sie die Säge sicher in Position, um Abgleiten (Rutschbewegung) oder Springen der Säge am Anfang eines Schnitts zu vermeiden.
8. Achten Sie am Ende des Schnitts darauf, dass Sie wegen des "Abfalls" nicht die Balance verlieren.
9. Windrichtung und -geschwindigkeit müssen ebenfalls berücksichtigt werden. Vermeiden Sie Sägemehl und Kettenölnebel.

Schutzausrüstung

1. **Um Verletzungen von Kopf, Augen, Händen oder Füßen sowie Gehörschäden zu vermeiden, müssen die folgenden Schutzvorrichtungen während der Arbeit mit der Kettensäge verwendet werden:**
 - Die Kleidung soll zweckmäßig, d. h. eng anliegend, aber nicht hinderlich sein. Tragen Sie keine Schmuckgegenstände oder Kleidung, die sich an Buschwerk oder Ästen verfangen können. Wenn Sie langes Haar haben, sollten Sie unbedingt ein Haarnetz tragen!
 - Bei allen Arbeiten mit der Kettensäge ist das Tragen eines Schutzhelms notwendig. Der **Schutzhelm** muss in regelmäßigen Abständen auf Beschädigung hin überprüft und spätestens nach 5 Jahren ausgewechselt werden. Verwenden Sie nur geprüfte Schutzhelme.

- Der **Gesichtsschutz** des Schutzhelms (oder eine Schutzbrille) schützt vor Sägespänen und Holzsplittern. Tragen Sie beim Arbeiten mit der Kettensäge stets eine Schutzbrille oder einen Gesichtsschutz, um Augenverletzungen zu verhindern.
- Tragen Sie geeignete **Schallschutzausrüstung** (Kapselgehörschützer, Ohrstöpsel usw.).
- Die **Schutzjacke** besteht aus 22 Nylongewebelagen und schützt die Bedienungsperson vor Schnitten. Sie ist bei Arbeiten auf Hochbühnen (Hubkorb, Lift), leitermontierten Plattformen oder beim Klettern mit Seilen stets zu tragen.
- **Schutzgurt und Latzhose** bestehen aus 22 Nylongewebelagen und schützen vor Schnitten. Ihre Verwendung wird dringend empfohlen.
- **Schutzhandschuhe** aus dickem Leder gehören zur vorschriftsmäßigen Ausrüstung und sind beim Arbeiten mit der Kettensäge immer zu tragen.
- **Sicherheitsstiefel** oder **Sicherheitsstiefel** mit rutschfester Sohle, Stahlkappen und Beinschutz sind beim Arbeiten mit der Kettensäge stets zu tragen. Mit einer Schutzeinlage versehene Sicherheitsschuhe bieten Schutz gegen Schnitte und gewährleisten einen sicheren Stand. Bei Arbeiten in Bäumen müssen die Sicherheitsstiefel für Klettertechniken geeignet sein.

Vibration

1. Personen mit Kreislaufstörungen, die starken Vibrationen ausgesetzt werden, können Schädigungen der Blutgefäße oder des Nervensystems erleiden. Vibrationen können folgende Symptome an Fingern, Händen oder Handgelenken verursachen: "Einschlafen" (Taubheit) der Körperteile, Prickeln, Schmerzen, Stechen, Veränderungen der Hautfarbe oder der Haut.

Falls eines dieser Symptome auftritt, suchen Sie einen Arzt auf!

Um die Gefahr von VVS (vibrationsbedingtes vasospastisches Syndrom) zu reduzieren, halten Sie Ihre Hände während der Arbeit warm, und sorgen Sie für gute Wartung von Gerät und Zubehör.

BEWAHREN SIE DIESE HINWEISE SORGFÄLTIG AUF.

WARNUNG:

Lassen Sie sich NICHT durch Bequemlichkeit oder Vertrautheit mit dem Produkt (durch wiederholten Gebrauch erworben) von der strikten Einhaltung der Sicherheitsregeln für das vorliegende Produkt abhalten. MISSBRAUCH oder Missachtung der Sicherheitsvorschriften in dieser Anleitung können schwere Verletzungen verursachen.

WICHTIGE SICHERHEITSVORSCHRIFTEN

FÜR AKKU

1. Lesen Sie vor der Benutzung des Akkus alle Anweisungen und Warnhinweise, die an (1) Ladegerät, (2) Akku und (3) Akkuwerkzeug angebracht sind.
2. Unterlassen Sie ein Zerlegen des Akkus.
3. Falls die Betriebszeit beträchtlich kürzer geworden ist, stellen Sie den Betrieb sofort ein. Anderenfalls besteht die Gefahr von Überhitzung, möglichen Verbrennungen und sogar einer Explosion.
4. Falls Elektrolyt in Ihre Augen gelangt, waschen Sie sie mit sauberem Wasser aus, und begeben Sie sich unverzüglich in ärztliche Behandlung. Anderenfalls können Sie Ihre Sehkraft verlieren.
5. Der Akku darf nicht kurzgeschlossen werden:
 - (1) Die Kontakte dürfen nicht mit leitfähigem Material berührt werden.
 - (2) Lagern Sie den Akku nicht in einem Behälter zusammen mit anderen Metallgegenständen, wie z.B. Nägel, Münzen usw.
 - (3) Setzen Sie den Akku weder Wasser noch Regen aus.

Ein Kurzschluss des Akkus verursacht starken Stromfluss, der Überhitzung, Verbrennungen und einen Defekt zur Folge haben kann.
6. Lagern Sie Maschine und Akku nicht an Orten, an denen die Temperatur 50°C erreichen oder überschreiten kann.
7. Versuchen Sie niemals, den Akku zu verbrennen, selbst wenn er stark beschädigt oder vollkommen verbraucht ist. Der Akku kann im Feuer explodieren.
8. Achten Sie darauf, dass der Akku nicht fallen gelassen oder Stößen ausgesetzt wird.
9. Benutzen Sie keine beschädigten Akkus.
10. Befolgen Sie die örtlichen Vorschriften bezüglich der Entsorgung von Batterien.

BEWAHREN SIE DIESE HINWEISE SORGFÄLTIG AUF.

Hinweise zur Aufrechterhaltung der maximalen Akku-Nutzungsdauer

1. Laden Sie den Akku, bevor er vollkommen erschöpft ist.
Schalten Sie die Maschine stets aus, und laden Sie den Akku, wenn Sie ein Nachlassen der Maschinenleistung feststellen.
2. Unterlassen Sie das erneute Laden eines voll aufgeladenen Akkus. Überladen führt zu einer Verkürzung der Nutzungsdauer des Akkus.
3. Laden Sie den Akku bei Raumtemperatur zwischen 10°C – 40°C. Lassen Sie einen heißen Akku abkühlen, bevor Sie ihn laden.
4. Laden Sie den Akku bei längerer Nichtbenutzung alle sechs Monate nach.

FUNKTIONSBESCHREIBUNG

⚠ VORSICHT:

- Vergewissern Sie sich vor der Durchführung von Einstellungen oder Funktionsprüfungen der Maschine stets, dass die Maschine ausgeschaltet und der Akku abgenommen ist.

Anbringen und Abnehmen des Akkus (Abb. 1)

- Schalten Sie die Maschine stets aus, bevor Sie den Akku anbringen oder abnehmen.
- Halten Sie Maschine und Akku beim Anbringen oder Abnehmen des Akkus sicher fest.
Wenn Sie Maschine und Akku nicht sicher festhalten, können sie Ihnen aus der Hand rutschen, was zu einer Beschädigung der Maschine und des Akkus und zu Körperverletzungen führen kann.

Ziehen Sie den Akku zum Abnehmen von der Maschine ab, während Sie den Knopf an der Vorderseite des Akkus verschieben.

Richten Sie zum Anbringen des Akkus dessen Führungsfeder auf die Nut im Gehäuse aus, und schieben Sie den Akku hinein. Schieben Sie ihn vollständig ein, bis er mit einem hörbaren Klicken einrastet. Falls die rote Anzeige an der Oberseite des Knopfes sichtbar ist, ist der Akku-Adapter nicht vollständig verriegelt.

⚠ VORSICHT:

- Schieben Sie den Akku stets bis zum Anschlag ein, bis die rote Anzeige nicht mehr sichtbar ist. Anderenfalls kann er aus der Maschine herausfallen und Sie oder umstehende Personen verletzen.
- Unterlassen Sie Gewaltanwendung beim Anbringen des Akkus. Falls der Akku nicht reibungslos hineingleitet, ist er nicht richtig ausgerichtet.

Akku-Schutzsystem (Lithium-Ionen-Akku mit Sternsymbol) (Abb. 2)

Lithium-Ionen-Akkus mit Sternsymbol sind mit einem Schutzsystem ausgestattet. Dieses System schaltet die Stromversorgung der Maschine automatisch ab, um die Akku-Lebensdauer zu verlängern.

Die Maschine schaltet sich während des Betriebs automatisch ab, wenn Maschine und/oder Akku einer der folgenden Bedingungen unterliegen:

- Überlastung:
Die Maschine wird auf eine Weise benutzt, die eine ungewöhnlich hohe Stromaufnahme bewirkt.
Lassen Sie in dieser Situation den Ein-Aus-Schalter der Maschine los, und brechen Sie die Arbeit ab, die eine Überlastung der Maschine verursacht hat. Betätigen Sie dann den Ein-Aus-Schalter erneut, um die Maschine wieder zu starten.
Falls die Maschine nicht startet, ist der Akku überhitzt. Lassen Sie den Akku in dieser Situation abkühlen, bevor Sie den Ein-Aus-Schalter erneut betätigen.
- Niedrige Akkuspannung:
Die Akku-Restkapazität ist zu niedrig, und die Maschine funktioniert nicht. Nehmen Sie in dieser Situation den Akku ab, und laden Sie ihn auf.

Schalterbetätigung (Abb. 3)

VORSICHT:

- Vergewissern Sie sich vor dem Einsetzen des Akkus in die Maschine stets, dass der Schalter ordnungsgemäß funktioniert und beim Loslassen in die AUS-Stellung zurückkehrt.

Um eine versehentliche Schalterbetätigung zu verhindern, ist die Maschine mit einer Schalterarretierung ausgestattet.

Zum Einschalten drücken Sie den EIN-/AUS-Schalter und gleichzeitig die Schalterarretierung. Zum Ausschalten den EIN-/AUS-Schalter loslassen.

MONTAGE

⚠ VORSICHT:

- Vergewissern Sie sich vor der Ausführung von Arbeiten an der Maschine stets, dass die Maschine ausgeschaltet und der Akku abgenommen ist.

Montage bzw. Demontage der Sägekette

⚠ VORSICHT:

- Vergewissern Sie sich vor der Montage bzw. Demontage der Sägekette stets, dass die Maschine ausgeschaltet und der Akku entfernt ist.
- Tragen Sie bei dieser Arbeit zum Schutz Ihrer Hände Arbeitshandschuhe.
- Verwenden Sie nur Sägeketten und Schwerter mit Schwertschärpe, die für diese Kettensäge ausgelegt sind (siehe Auszug aus der Ersatzteilliste).
- Um Rückschlag zu verhüten, darf die Schwertschärpe nicht entfernt oder das Schwert durch eines ohne Schwertschärpe ersetzt werden.

Lösen Sie die Schraube durch Linksdrehen des Knopfes, bis sich der Kettenraddeckel abnehmen lässt. (Abb. 4) Entfernen Sie den Kettenraddeckel.

Entfernen Sie die Sägekette und das Schwert von der Maschine.

Legen Sie ein Ende der Sägekette auf die Oberseite des Schwerts. Bringen Sie dabei die Sägekette so an, wie in der Abbildung gezeigt, weil sie sich in Pfeilrichtung dreht. (Abb. 5)

Bringen Sie die Sägekette so an, dass die Feder innerhalb der Kette liegt, und legen Sie das andere Ende der Sägekette um das Kettenrad, wie in der Abbildung gezeigt. (Abb. 6)

Während Sie das Schwert entgegen dem Uhrzeigersinn drehen, installieren Sie es so, dass sein Ende die Feder berührt. (Abb. 7)

Führen Sie den Haken des Kettenraddeckels in das Loch der Maschine ein, und setzen Sie dann den Kettenraddeckel auf die Maschine. (Abb. 8)

Drehen Sie den Knopf im Uhrzeigersinn, um die Schraube festzuziehen. (Abb. 9)

Einstellen der Sägekettenspannung (Abb. 10

u. 11)

Die Sägekettenspannung kann durch geringes Lösen der Schraube eingestellt werden. Ziehen Sie die Schraube nach der Einstellung wieder fest.

VORSICHT:

- Eine neue Sägekette neigt eine gewisse Zeitlang nach der Montage zu Lockerung. Überprüfen Sie daher die Sägekettenspannung von Zeit zu Zeit vor dem Gebrauch.
- Eine zu geringe Sägekettenspannung kann Herausrutschen verursachen.

- Die Montage bzw. Demontage der Sägekette sollte an einem sauberen Ort, der frei von Sägemehl und dergleichen ist, durchgeführt werden.

Krallenanschlag (Sonderzubehör) (Abb. 12)

Montieren Sie den Krallenanschlag nach dem folgenden Verfahren:

1. Kettenraddeckel, Sägekette und Schwert gemäß der Beschreibung in dieser Bedienungsanleitung entfernen.
2. Die Löcher im Krallenanschlag auf die Löcher in der Kettensäge ausrichten.
3. Die Teile mit Schrauben fest zusammenmontieren.

BETRIEB

Schmierung (Abb. 13)

Die Sägekette wird während des Betriebs der Maschine automatisch geschmiert.

Überprüfen Sie die im Öltank verbleibende Ölmenge durch das Ölstand-Prüffenster.

Um den Tank aufzufüllen, entfernen Sie die Kappe von der Öltanköffnung.

Schrauben Sie nach dem Auffüllen des Öltanks stets die mitgelieferte Öltankkappe auf die Kettensäge.

⚠ VORSICHT:

- Wenn Sie die Kettensäge zum ersten Mal mit Öl füllen oder den völlig leeren Öltank auffüllen, füllen Sie Öl bis zur Unterkante des Einfüllstutzens ein. Anderenfalls kann die Ölzuführung beeinträchtigt werden.
- Verwenden Sie exklusives Öl für Makita-Kettensägen oder auf dem Markt erhältliches Öl.
- Verwenden Sie keinesfalls Öl, das Staub und Fremdkörper enthält, oder leichtflüchtiges Öl.
- Verwenden Sie zum Beschneiden von Bäumen botanisches Öl. Mineralöl kann Bäume schädigen.
- Üben Sie beim Beschneiden von Bäumen niemals Druck auf die Säge aus.
- Vergewissern Sie sich vor dem Ausschneiden, dass die mitgelieferte Öltankkappe angebracht ist.

Halten Sie die Kettensäge vom Baum abgewandt. Starten Sie die Säge, und warten Sie, bis eine angemessene Schmierung der Sägekette erreicht ist.

Bringen Sie die Schwertschärpe/untere Führung vor dem Einschalten mit dem zu schneidenden Ast in Berührung. Wird der Schnitt ausgeführt, ohne die Schwertschärpe/untere Führung mit dem Ast in Berührung zu bringen, kann das Schwert flattern, was zu einer Verletzung der Bedienungsperson führen kann.

Sägen Sie das zu schneidende Holz durch einfache Abwärtsbewegung.

Entasten

⚠ VORSICHT:

- Führen Sie die Kettensäge so, dass sich kein Körperteil im verlängerten Schwenkbereich der Sägekette befindet.
- Bei jeder Arbeit ist die Kettensäge mit beiden Händen festzuhalten, nur so kann sie jederzeit sicher geführt werden.
- Beugen Sie sich beim Betrieb nicht zu weit vor. Achten Sie bei der Arbeit stets auf sicheren Stand.

Bringen Sie die Schwertspitzenführung/untere Führung vor dem Einschalten mit dem zu schneidenden Ast in Berührung. Wird der Schnitt ausgeführt, ohne die Schwertspitzenführung/untere Führung mit dem Ast in Berührung zu bringen, kann das Schwert flattern, was zu einer Verletzung der Bedienungsperson führen kann.

(Abb. 14 u. 15)

Holz unter Spannung muss immer zuerst auf der Druckseite eingeschnitten werden. Erst dann kann der Trennschnitt auf der Zugseite erfolgen. **(Abb. 16)**

Wird der Trennschnitt auf der Druckseite durchgeführt, kann der Ast mit der Sägekette in Berührung kommen und sie einklemmen. Ohne Vorschnitt kann der Ast beim Trennschnitt auf der Zugseite splintern. **(Abb. 17)**

Wenn das Holz nicht in einem Arbeitsgang gesägt werden kann:

Setzen Sie das Sägen unter leichter Druckausübung auf den Griff fort und ziehen Sie die Kettensäge geringfügig zurück; dann setzen Sie die Zackenleiste etwas tiefer an und beenden Sie den Schnitt durch Anheben des Griffes. **(Abb. 18)**

Transport (Abb. 19)

Entfernen Sie stets den Akku aus der Maschine und montieren Sie den Sägekettenschutz, bevor Sie die Maschine transportieren. Die Kontaktschutzkappe auf den Akku setzen.

WARTUNG

⚠ VORSICHT:

- Vergewissern Sie sich vor der Durchführung von Inspektions- oder Wartungsarbeiten stets, dass die Maschine ausgeschaltet und der Akku abgenommen ist.
- Tragen Sie beim Ausführen von Überprüfungs- und Instandhaltungsarbeiten unbedingt Arbeitshandschuhe.
- Verwenden Sie auf keinen Fall Benzin, Benzol, Verdünnern, Alkohol oder dergleichen. Solche Mittel können Verfärbung, Verformung oder Rissbildung verursachen.

Schärfen der Sägekette

⚠ VORSICHT:

- Nehmen Sie stets den Akku ab, und tragen Sie Schutzhandschuhe, wenn Sie Arbeiten an der Sägekette ausführen.

Schärfen Sie die Sägekette, wenn:

- beim Schneiden von feuchtem Holz mehliges Sägemehl erzeugt wird.
- die Kette selbst bei Ausübung starken Drucks nur schwach in das Holz eindringt.
- die Schnittkante sichtbar beschädigt ist.
- die Säge im Holz nach links oder rechts zieht. Der Grund für dieses Verhalten ist ungleichmäßige Schärfung der Sägekette, oder einseitige Beschädigung. **(Abb. 20)**

Schärfen Sie die Sägekette häufig, aber tragen Sie jedes Mal nur wenig Material ab.

Zwei bis drei Hiebe mit einer Feile sind gewöhnlich für eine routinemäßige Nachschärfung ausreichend. Wenn die Sägekette mehrmals nachgeschärft worden ist, lassen Sie sie bei einer MAKITA-Reparaturwerkstatt schärfen.

Feile und Feilenführung (Abb. 21)

- Verwenden Sie eine spezielle Rundfeile (Sonderzubehör) für Sägeketten mit einem Durchmesser von 4 mm zum Schärfen der Kette. Normale Rundfeilen sind ungeeignet.
- Nur beim Vorwärtshub der Feile sollte Material abgetragen werden. Heben Sie die Feile beim Rückwärtshub vom Material ab.
- Schärfen Sie den kürzesten Zahn zuerst. Die Länge dieses Zahns dient dann als Sollmaß für alle übrigen Hobelzähne der Sägekette.
- Führen Sie die Feile, wie in der Abbildung gezeigt.
- Die Feile kann leichter geführt werden, wenn ein Feilenhalter (Zubehör) verwendet wird. Der Feilenhalter weist Markierungen für den korrekten Schärfungswinkel von 30° auf (die Markierungen parallel zur Sägekette ausrichten) und begrenzt die Eindringtiefe (auf 4/5 des Feilendurchmessers).

Führen Sie die Feile, wie in der Abbildung gezeigt. **(Abb. 22)**

- Überprüfen Sie nach dem Schärfen der Kette die Höhe des Tiefenanschlags mithilfe der Kettenmesslehre (Sonderzubehör).
- Entfernen Sie etwaige Rauigkeiten, wie klein auch immer, mit einer speziellen Flachfeile (Sonderzubehör).
- Runden Sie die Vorderkante des Tiefenanschlags erneut ab.
- Waschen Sie Staub und Partikel nach der Einstellung der Höhe des Tiefenanschlags von der Sägekette ab.

Reinigen des Schwert (Abb. 23)

Späne und Sägemehl sammeln sich in der Führungsnut des Schwert. Der Ölfluß wird dadurch behindert und der Lauf der Sägekette erschwert. Achten Sie beim Schärfen oder Auswechseln der Sägekette stets darauf, Späne und Sägemehl mit einer geeigneten Maschine zu reinigen.

Reinigen des Ölfilters an der Ölauslassöffnung

Kleine Staubpartikel oder Fremdkörper können sich während des Betriebs im Ölfilter der Ölauslassöffnung ansammeln.

Diese können den Ölfluss behindern und unzureichende Schmierung auf der ganzen Sägekette verursachen.

Wenn schlechte Ölzufuhr an der Oberseite des Schwerts auftritt, reinigen Sie den Filter wie folgt.

Nehmen Sie den Akku von der Maschine ab.

Entfernen Sie den Kettenraddeckel und die Sägekette von der Maschine. (Siehe den Abschnitt "Montage bzw. Demontage der Sägekette".)

Entfernen Sie die Druckmutter mit einem Schlitzschraubenzieher mit schmalen Schaft oder dergleichen. **(Abb. 24)**

Nehmen Sie den Filter aus der Kettensäge heraus, und entfernen Sie kleine Staubpartikel oder Fremdkörper vom Filter. Falls der Filter zu stark verschmutzt ist, ersetzen Sie ihn durch einen neuen. **(Abb. 25)**

Setzen Sie den Akku in die Maschine ein. Betätigen Sie den Ein-/Aus-Schalter, um abgelagerte Staubpartikel oder Fremdkörper durch Ablassen des Kettenöls aus der Ölauslassöffnung auszuschwemmen. **(Abb. 26)**

Nehmen Sie den Akku von der Maschine ab.

Setzen Sie den gereinigten Ölfilter in die Ölauslassöffnung ein.

Falls der Filter zu stark verschmutzt ist, ersetzen Sie ihn durch einen neuen. **(Abb. 27)**

Führen Sie die Druckmutter mit der korrekten Seite nach oben gemäß der Abbildung in die Ölauslassöffnung ein, um den Filter zu sichern. Falls der Filter wegen einer verformten Druckmutter nicht gesichert werden kann, ersetzen Sie die Druckmutter durch eine neue. **(Abb. 28)**
Montieren Sie den Kettenraddeckel und die Sägekette wieder an der Maschine.

Auswechseln des Kettenrads (Abb. 29 u. 30)

Bevor Sie eine neue Sägekette anbringen, überprüfen Sie den Zustand des Kettenrads.

⚠ VORSICHT:

- Ein verschlissenes Kettenrad beschädigt eine neue Sägekette. Wechseln Sie in diesem Fall das Kettenrad aus. Das Kettenrad muss so montiert werden, dass es immer gemäß der Abbildung ausgerichtet ist.

Bringen Sie beim Auswechseln des Kettenrads stets einen neuen Sicherungsring an.

Auswechseln der Kohlebürsten (Abb. 31 u. 32)

Die Kohlebürsten müssen regelmäßig entfernt und überprüft werden. Wenn sie bis zur Verschleißgrenze abgenutzt sind, müssen sie erneuert werden. Halten Sie die Kohlebürsten stets sauber, damit sie ungehindert in den Haltern gleiten können. Beide Kohlebürsten sollten gleichzeitig erneuert werden. Verwenden Sie nur identische Kohlebürsten.

Drehen Sie die Bürstenhalterkappen mit einem Schraubendreher heraus. Nehmen Sie die abgenutzten Kohlebürsten heraus, setzen Sie die neuen ein, und drehen Sie dann die Bürstenhalterkappen wieder ein.

Lagern der Maschine

Reinigen Sie die Maschine vor der Lagerung. Entfernen Sie etwaige Späne und Sägemehl von der Maschine, nachdem Sie den Kettenraddeckel abmontiert haben.

Lassen Sie die Maschine nach der Reinigung unter Nulllast laufen, um die Sägekette und das Schwert zu schmieren.

Schützen Sie das Schwert mit dem Sägekettenschutz.

Entleeren Sie den Öltank, und lagern Sie die Kettensäge so, dass die Tankkappe oben liegt.

Um die SICHERHEIT und ZUVERLÄSSIGKEIT dieses Gerätes zu gewährleisten, sollten Reparatur-, Wartungs-, und Einstellarbeiten nur von Makita autorisierten Werkstätten oder Kundendienstzentren unter ausschließlicher Verwendung von Makita-Originalersatzteilen ausgeführt werden.

Anweisungen für regelmäßige Wartung

Um eine lange Lebensdauer zu gewährleisten, Schäden zu verhüten und die volle Funktion der Sicherheitseinrichtungen sicherzustellen, müssen die folgenden Wartungsarbeiten regelmäßig durchgeführt werden.

Garantieansprüche werden nur dann anerkannt, wenn diese Arbeiten regelmäßig und ordnungsgemäß ausgeführt werden. Eine Vernachlässigung der vorgeschriebenen Wartungsarbeiten kann zu Unfällen führen!

Der Benutzer der Kettensäge darf nur Wartungsarbeiten durchführen, die in dieser Bedienungsanleitung beschrieben sind. Darüber hinausgehende Arbeiten müssen von einem autorisierten Service-Center ausgeführt werden.

Betriebszeit Gegenstand		Vor dem Betrieb	Täglich	Wöchentlich	Alle 3 Monate	Jährlich	Vor der Lage- rung
Kettensäge	Überprüfung.	<input type="radio"/>					
	Reinigung.		<input type="radio"/>				
	Von autorisiertem Service-Center prüfen lassen.					<input type="radio"/>	<input type="radio"/>
Sägekette	Überprüfung.	<input type="radio"/>					
	Nötigenfalls schärfen.						<input type="radio"/>
Schwert	Überprüfung.	<input type="radio"/>	<input type="radio"/>				
	Von der Kettensäge abnehmen.						<input type="radio"/>
Kettenschmie- rung	Ölfördermenge überprüfen.	<input type="radio"/>					
Elektronikschal- ter	Überprüfung.	<input type="radio"/>					
Einschaltsperr- knopf	Überprüfung.	<input type="radio"/>					
Öltankver- schluss	Festigkeit überprüfen.	<input type="radio"/>					
Kettenfänger	Überprüfung.			<input type="radio"/>			
Schrauben und Muttern	Überprüfung.			<input type="radio"/>			

014813

FEHLERSUCHE

Bevor Sie den Reparaturdienst anrufen, führen Sie zunächst Ihre eigene Inspektion durch. Falls Sie ein Problem finden, das nicht in der Anleitung erläutert wird, versuchen Sie nicht, das Werkzeug zu zerlegen. Wenden Sie sich statt dessen an ein autorisiertes Makita-Service-Center, und achten Sie darauf, dass stets Makita-Ersatzteile für Reparaturen verwendet werden.

Störungszustand	Ursache	Ahlfemaßnahme
Die Kettensäge startet nicht.	Der Akku ist nicht eingesetzt.	Einen geladenen Akku einsetzen.
	Akkustörung (Unterspannung).	Laden Sie den Akku auf. Falls Laden nichts nützt, tauschen Sie den Akku aus.
Der Motor bleibt nach kurzer Zeit stehen.	Der Ladestand des Akkus ist niedrig.	Laden Sie den Akku auf. Falls Laden nichts nützt, tauschen Sie den Akku aus.
Kein Öl auf der Kette.	Der Öltank ist leer.	Öltank füllen.
	Die Ölführungsnut ist verschmutzt.	Nut reinigen.
	Funktionsstörung der Ölpumpe.	Wenden Sie sich bezüglich einer Reparatur an Ihr autorisiertes Service-Center.
Die Maximaldrehzahl wird nicht erreicht.	Der Akku ist falsch eingesetzt.	Den Akku gemäß der Beschreibung in dieser Anleitung einsetzen.
	Der Ladestand des Akkus ist niedrig.	Laden Sie den Akku auf. Falls Laden nichts nützt, tauschen Sie den Akku aus.
	Das Antriebssystem funktioniert nicht korrekt.	Wenden Sie sich bezüglich einer Reparatur an Ihr autorisiertes Service-Center.
Die Kette bleibt nicht stehen: Die Maschine unverzüglich stoppen!	Funktionsstörung des Schalters.	Wenden Sie sich bezüglich einer Reparatur an Ihr autorisiertes Service-Center.
Ungewöhnliche Vibration: Die Maschine unverzüglich stoppen!	Schwert oder Sägekette ist locker.	Schwert und Sägekettenspannung einstellen.
	Fehlfunktion des Werkzeugs.	Wenden Sie sich bezüglich einer Reparatur an Ihr autorisiertes Service-Center.

014814

SONDERZUBEHÖR

⚠ VORSICHT:

- Die folgenden Zubehörteile oder Vorrichtungen werden für den Einsatz mit der in dieser Anleitung beschriebenen Makita-Maschine empfohlen. Die Verwendung anderer Zubehörteile oder Vorrichtungen kann eine Verletzungsgefahr darstellen. Verwenden Sie Zubehörteile oder Vorrichtungen nur für ihren vorgesehenen Zweck.

Wenn Sie weitere Einzelheiten bezüglich dieser Zubehörteile benötigen, wenden Sie sich bitte an Ihre Makita-Kundendienststelle.

- Verschiedene Original-Makita-Akkus und -Ladegeräte
- Sägekette
- Sägekettenschutz
- Komplettes Schwert
- Feile

HINWEIS:

- Manche Teile in der Liste können als Standardzubehör im Werkzeugsatz enthalten sein. Sie können von Land zu Land unterschiedlich sein.

Geräusch

ENG905-1

Typischer A-bewerteter Geräuschpegel ermittelt gemäß EN60745:

Modell DUC122

Schalldruckpegel (L_{pA}): 84,6 dB (A)
Schalleistungspegel (L_{WA}): 92,7 dB (A)
Ungewissheit (K): 2 dB (A)

Gehörschutz tragen

ENG900-1

Vibration

Vibrationsgesamtwert (Drei-Achsen-Vektorsumme) ermittelt gemäß EN60745:

Modell DUC122

Arbeitsmodus: Schneiden von Holz
Vibrationsemission (a_{h1}): 4,3 m/s²
Ungewissheit (K): 1,5 m/s²

- Der angegebene Vibrationsemissionswert wurde im Einklang mit der Standardprüfmethode gemessen und kann für den Vergleich zwischen Maschinen herangezogen werden.
- Der angegebene Vibrationsemissionswert kann auch für eine Vorbewertung des Gefährdungsgrads verwendet werden.

⚠️ WARNUNG:

- Die Vibrationsemission während der tatsächlichen Benutzung des Elektrowerkzeugs kann je nach der Benutzungsweise der Maschine vom angegebenen Emissionswert abweichen.
- Identifizieren Sie Sicherheitsmaßnahmen zum Schutz des Benutzers anhand einer Schätzung des Gefährdungsgrads unter den tatsächlichen Benutzungsbedingungen (unter Berücksichtigung aller Phasen des Arbeitszyklus, wie z. B. Ausschalt- und Leerlaufzeiten der Maschine zusätzlich zur Betriebszeit).

ENH030-5

Nur für europäische Länder

EG-Übereinstimmungserklärung

Makita erklärt, dass die folgende(n) Maschine(n):

Bezeichnung der Maschine:

Akku-Kettensäge

Modell-Nr./ Typ: DUC122

Technische Daten: Siehe Tabelle "TECHNISCHE DATEN".

den folgenden europäischen Richtlinien entsprechen:

2000/14/EG, 2006/42/EG

gemäß den folgenden Standards oder standardisierten Dokumenten hergestellt werden:

EN ISO 11681-2

Die Zertifikat-Nr. 4814056.14009 der EG-Typenprüfung
Die EG-Typenprüfung gemäß 2006/42/EG wurde durchgeführt von:

DEKRA Testing and Certification GmbH

Enderstraße 92b

01277 Dresden

Deutschland

Identifizierungs-Nr. 2140

Die technische Akte in Übereinstimmung mit 2006/42/EG ist erhältlich von:

Makita, Jan-Baptist Vinkstraat 2, 3070, Belgien

Das von der Richtlinie 2000/14/EG geforderte Konformitätsbewertungsverfahren war in Übereinstimmung mit Anhang V.

Gemessener Schalleistungspegel: 93 dB (A)

Garantierter Schalleistungspegel: 95 dB (A)

23.9.2014



Yasushi Fukaya

Direktor

Makita, Jan-Baptist Vinkstraat 2, 3070, Belgien

Visione generale

1 Indicatore rosso	11 Freccia	21 Fodero (coperchio catena)
2 Pulsante	12 Molla	22 Dado di spinta
3 Cartuccia batteria	13 Rocchetto	23 Cacciavite piatto
4 Marchio di stella	14 Gancio	24 Filtro
5 Bottone di sblocco	15 Foro	25 Anello di blocco
6 Interruttore	16 Tappo serbatoio olio	26 Rondella
7 Coperchio rocchetto	17 Finestrella di ispezione olio	27 Segno di limite
8 Manopola	18 Apertura serbatoio olio	28 Tappo portaspazzola
9 Lama	19 Guida punta	29 Cacciavite
10 Barra guida	20 Guida inferiore	

DATI TECNICI

Modello		DUC121	DUC122
Barra di guida standard	Lunghezza barra di guida	115 mm	
	Lunghezza di taglio	11,5 cm	
	Tipo	Barra di intaglio	
Catena sega standard	Tipo	25 AP	
	Passo	6,35 mm (1/4")	
	Spessore	1,3 mm (0,05")	
	Numero di maglie	42	
Rocchetto	Numero di denti	9	
	Passo	6,35 mm (1/4")	
Lunghezza totale		422 mm	
Peso netto		2,5 kg	2,6 kg
Velocità catena al minuto (min ⁻¹)		4,8 m/s (290 m/min)	5,0 m/s (300 m/min)
Volume serbatoio olio catena		80 cm ³	
Tensione nominale		C.c. 14,4 V	C.c. 18 V

- Per il nostro programma di ricerca e sviluppo continui, i dati tecnici sono soggetti a modifiche senza preavviso.
- I dati tecnici e la cartuccia batteria potrebbero differire da paese a paese.
- Peso, con batteria, secondo la Procedura EPTA 01/2003

ATTENZIONE: Usare la combinazione appropriata della barra di guida e catena. In caso contrario, c'è pericolo di un incidente.

ENE090-1

Utilizzo previsto

Questo utensile è progettato per il taglio dei rami/potatura degli alberi. Esso è adatto anche alla manutenzione degli alberi.

GEA010-1

Avvertimenti generali per la sicurezza dell'utensile elettrico

⚠ AVVERTIMENTO Leggere tutti gli avvertimenti per la sicurezza e le istruzioni. La mancata osservanza degli avvertimenti e delle istruzioni può causare scosse elettriche, incendio e/o gravi incidenti.

Conservare tutti gli avvertimenti e le istruzioni per riferimenti futuri.

GEB119-1

AVVERTIMENTI PER LA SICUREZZA RIGUARDANTI LA MOTOSEGA A BATTERIA:

1. **Tenere tutte le parti del corpo lontane dalla motosega mentre sta funzionando. Prima di avviare la motosega, accertarsi che non faccia alcun contatto.** Un momento di disattenzione durante l'utilizzo della motosega potrebbe causare l'impigliarsi dei vestiti o il contatto della motosega con il corpo.
2. **Per tenere la motosega con entrambe le mani, prenderla sempre per il manico posteriore con la mano destra e per il manico anteriore con la mano sinistra.** Tenendo la motosega con le mani in posizione inversa si aumenta il pericolo di incidenti, per cui ciò non deve mai essere fatto.
3. **Tenere l'utensile elettrico soltanto per le parti di presa isolate, perché la catena della sega potrebbe venire a contatto con fili elettrici nascosti.** La catena della sega che viene a contatto con un filo elettrico "sotto tensione" potrebbe mettere "sotto tensione" le parti metalliche dell'utensile elettrico, potrebbe dare una scossa elettrica all'operatore.

4. **Indossare occhiali di protezione e la protezione della orecchie. Si consigliano anche le protezioni aggiuntive per la testa, le mani, le gambe e i piedi.** L'abbigliamento di protezione adeguato riduce le lesioni causate dai frammenti volanti o dal contatto accidentale con la motosega.
5. **Appoggiare sempre saldamente i piedi, e far funzionare la motosega soltanto stando su una superficie fissa, sicura e piana.** Le superfici scivolose o instabili, come le scale, potrebbero causare la perdita dell'equilibrio o del controllo della motosega.
6. **Quando si taglia un ramo sotto tensione, fare attenzione ai contraccolpi.** Quando la tensione delle fibre del legno si rilaccia, il ramo sotto tensione potrebbe colpire l'operatore e/o far perdere il controllo della motosega.
7. **Fare molta attenzione quando si tagliano siepi e arboscelli.** Il materiale sottile potrebbe rimanere impigliato nella motosega con azione sferzante sull'operatore, o fargli perdere l'equilibrio.
8. **Trasportare la motosega per il manico anteriore, spenta e discosta dal corpo. Quando si trasporta o si ripone la motosega, montare sempre il coperchio barra guida.** Il maneggiamento corretto della motosega riduce il pericolo di incidenti o il contatto accidentale con la motosega in funzione.
9. **Seguire le istruzioni per la lubrificazione, la tensione della catena e il cambiamento degli accessori.** Una catena con una tensione o lubrificazione incorretta potrebbe rompersi o aumentare il rischio di contraccolpi.
10. **Mantenere i manici asciutti, puliti ed esenti da olio o grasso.** Il grasso e l'olio rendono i manici scivolosi causando una perdita di controllo.
11. **Tagliare soltanto il legno. La motosega non deve essere usata per scopi non previsti. Per esempio: la motosega non deve essere usata per tagliare la plastica, i mattoni o il materiale di costruzione che non è di legno.** L'utilizzo della motosega per operazioni diverse da quelle previste potrebbe causare situazioni pericolose.
12. **Cause e prevenzione dei contraccolpi da parte dell'operatore:**

I contraccolpi si verificano quando l'estremità o punta della barra guida tocca un oggetto, o quando il legno si chiude e stringe la catena della sega nel taglio.

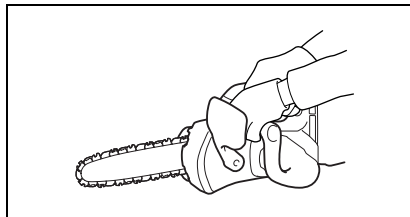
Il contatto della punta potrebbe in alcuni casi causare una improvvisa reazione indietro, spingendo la barra guida su e indietro verso l'operatore.

Se la catena della sega viene stretta lungo la parte superiore della barra guida, questa potrebbe essere spinta rapidamente indietro verso l'operatore.

Queste reazioni potrebbero causare la perdita di controllo della sega, con grande pericolo di gravi incidenti. Non bisogna affidarsi esclusivamente ai dispositivi di sicurezza della sega. L'utente della motosega deve usare alcune precauzioni per mantenere il lavoro di taglio senza pericoli di incidenti o lesioni.

I contraccolpi sono il risultato dell'utilizzo sbagliato e/o di procedure o condizioni operative scorrette, e possono essere evitati prendendo le precauzioni appropriate come indicato di seguito.

- **Mantenere una presa salda, con i pollici e le dita che circondano i manici della motosega, con entrambe le mani sulla sega, e posizionare il corpo e le braccia in modo da permettere di resistere alla forza dei contraccolpi.** La forza dei contraccolpi può essere controllata dall'operatore prendendo le dovute precauzioni. Non bisogna mollare la motosega.



014673

- **Evitare di allungarsi troppo e non tagliare sopra l'altezza della spalla.** Ciò evita il contatto involontario della punta e permette un controllo migliore della motosega in situazioni impreviste.
 - **Usare soltanto le barre e catene di ricambio specificate dal produttore.** Le barre e catene di ricambio sbagliate potrebbero causare la rottura della catena e/o i contraccolpi.
 - **Seguire le istruzioni del produttore per l'affilatura e la manutenzione della catena della sega.** La riduzione dell'altezza del calibro di profondità può causare un aumento dei contraccolpi.
13. **Prima di iniziare il lavoro, verificare che la motosega sia in ordine e che le sue condizioni siano conformi alle norme di sicurezza. In particolare verificare quanto segue:**
 - Il freno di blocco funzioni correttamente;
 - La barra e il coperchio del rocchetto siano montati correttamente;
 - La catena sia stata affilata e tesa secondo specifiche;
 14. **Non avviare la motosega con il coperchio della catena installato su di essa.** Se si avvia la motosega con il coperchio della catena installato su di essa, si potrebbe causare l'espulsione in avanti del coperchio con pericolo di incidenti e di danni agli oggetti intorno all'operatore.

Avvertimenti specifici per la sicurezza riguardo al manico superiore

1. Questa motosega è progettata specialmente per la cura e la potatura degli alberi. Essa deve essere usata soltanto da persone propriamente addestrate. Osservare tutte le istruzioni, procedure e raccomandazioni degli organismi professionali pertinenti. In caso contrario, si potrebbe verificare un incidente mortale. Per la segatura degli alberi si consiglia di usare sempre una piattaforma di sollevamento (idroscala, sollevatore). Le tecniche di discesa a doppia corda sono estremamente pericolose e richiedono uno speciale addestramento. Gli operatori devono essere addestrati per familiarizzarsi con l'uso dell'attrezzatura di sicurezza e le tecniche di scalata. Per lavorare sugli alberi, usare sempre cinghie, funi e moschettoni appropriati. Usare sempre l'attrezzatura di assicurazione dell'operatore e della sega.

2. Eseguire la pulizia e la manutenzione prima dell'immagazzinaggio, come indicato nel manuale di istruzioni.
3. Accertarsi che la motosega sia posizionata correttamente durante il trasporto, per evitare perdite di carburante o di olio, danni all'utensile e un incidente.
4. Non rabboccare l'olio della catena vicino a una fiamma. Non si deve mai fumare durante il rabbocco dell'olio.
5. Le norme locali potrebbero porre dei limiti all'utilizzo della motosega.
6. Se l'utensile subisce un forte colpo o cade, controllarne le condizioni prima di continuare il lavoro. Accertarsi che non ci siano malfunzionamenti dei controlli o dispositivi di sicurezza. Nel caso di un qualsiasi danno o dubbio, rivolgersi a un Centro di Assistenza autorizzato per l'ispezione e la riparazione.
7. Tenere saldamente la motosega in posizione per evitare che scivoli (movimento di slittamento) o rimbalzi quando si comincia un taglio.
8. Alla fine del taglio, fare attenzione a mantenere l'equilibrio a causa della "caduta" della motosega.
9. Tener conto della direzione e velocità del vento. Evitare il velo di segatura e olio catena.

Equipaggiamento di protezione

1. **Durante l'utilizzo della motosega bisogna usare l'equipaggiamento di protezione seguente per evitare incidenti agli occhi, mani o piedi, come pure per proteggere l'udito.**
 - Il tipo di abbigliamento indossato deve essere appropriato, e cioè deve essere aderente senza ostacolare i movimenti. Non portare gioielli o capi di abbigliamento che potrebbero rimanere impigliati nei cespugli o nei rami. Se si hanno i capelli lunghi, mettersi sempre un reticella per capelli.
 - Lavorando con la motosega bisogna sempre mettersi il casco di protezione. Si deve controllare a intervalli regolari che il **casco di protezione** non sia danneggiato, e bisogna sostituirlo dopo un massimo di 5 anni. Usare soltanto i caschi di protezione consigliati.
 - La **visiera** del casco di protezione (o gli occhiali) protegge contro la segatura e i trucioli di legno. Durante l'utilizzo della motosega, mettersi sempre gli occhiali o una visiera, per evitare danni agli occhi.
 - Indossare un adeguato **equipaggiamento di protezione contro i rumori** (paraorecchi, tappi per orecchi, ecc.).
 - La **giacca di protezione** è composta da 22 strati di nailon, e protegge l'operatore dai tagli. Essa va sempre indossata quando si lavora su piattaforme elevate (idroscale, sollevatori), su piattaforme montate su scale, oppure salendo sugli alberi usando funi.
 - La **salopette da lavoro** è fatta con un tessuto di nailon di 22 strati, e protegge dai tagli. Si consiglia vivamente di usarla.
 - I **guanti di protezione** sono in pelle spessa e fanno parte dell'equipaggiamento di protezione, per cui devono essere sempre indossati durante il lavoro con la motosega.

- Durante il lavoro con la motosega bisogna sempre calzare **scarponcini o scarponi di sicurezza**, con soles antiscivolo e punte in acciaio, e indossare una protezione per le gambe. Gli scarponcini di sicurezza provvisti di uno strato di protezione proteggono dai tagli e assicurano un appoggio saldo per i piedi. Per il lavoro sugli alberi, gli scarponi di sicurezza devono essere adatti alle tecniche di salita sugli alberi.

Vibrazioni

1. L'esposizione a vibrazioni eccessive da parte di chi soffre di disturbi circolatori potrebbe causare la rottura di vasi sanguigni o danni al sistema nervoso. Le vibrazioni potrebbero causare i sintomi seguenti alle dita, mani o polsi: "Sonnolenza" (intorpidimento), formicolio, dolore, fitte, macchie o eruzioni cutanee.
Nel caso di uno qualsiasi di questi sintomi, rivolgersi a un medico. Per ridurre il rischio della "malattia delle dita bianche", tenere calde le mani durante il lavoro e mantenere in buone condizioni l'equipaggiamento e gli accessori.

CONSERVATE QUESTE ISTRUZIONI.

AVVERTIMENTO:

NON lasciare che comodità o la familiarità d'utilizzo con il prodotto (acquisita con l'uso ripetuto) sostituisca la stretta osservanza delle norme di sicurezza. L'utilizzo SBAGLIATO o la mancata osservanza delle norme di sicurezza di questo manuale di istruzioni potrebbero causare lesioni serie.

ENC007-8

ISTRUZIONI IMPORTANTI DI SICUREZZA

PER LA CARTUCCIA DELLA BATTERIA

1. **Prima di usare la cartuccia della batteria, leggere tutte le istruzioni e le avvertenze sul (1) carica-batteria, sulla (2) batteria e sul (3) prodotto che utilizza la batteria.**
 2. **Non smontare la cartuccia della batteria.**
 3. **Se il tempo di utilizzo è diventato molto corto, smettere immediatamente di usare l'utensile. Può risultare un rischio di surriscaldamento, possibili ustioni e addirittura un'esplosione.**
 4. **Se l'elettrolita va negli occhi, risciacquarli con acqua pulita e rivolgersi immediatamente ad un medico. Può risultare la perdita della vista.**
 5. **Non cortocircuitare la cartuccia della batteria:**
 - (1) **Non toccare i terminali con qualche metallo conduttivo.**
 - (2) **Evitare di conservare la cartuccia della batteria in un contenitore con altri oggetti metallici come i chiodi, le monete, ecc.**
 - (3) **Non esporre la cartuccia della batteria all'acqua o alla pioggia.**
- Un cortocircuito della batteria può causare un grande flusso di corrente, il surriscaldamento, possibili ustioni e addirittura un guasto.**
6. **Non conservare l'utensile e la cartuccia della batteria in luoghi in cui la temperatura può raggiungere o superare i 50°C.**
 7. **Non incenerire la cartuccia della batteria anche se è gravemente danneggiata o è completamente esaurita. La cartuccia della batteria può esplodere e provocare un incendio.**

8. **Fare attenzione a non lasciar cadere o a colpire la batteria.**
9. **Non usare una batteria danneggiata.**
10. **Rispettare le norme locali sullo smaltimento delle batterie.**

CONSERVARE QUESTE ISTRUZIONI.

Suggerimenti per mantenere la durata massima della batteria

1. **Caricare la cartuccia della batteria prima che si scarichi completamente.**
Smettere sempre di usare l'utensile e caricare la cartuccia della batteria quando si nota che la potenza dell'utensile è diminuita.
2. **Non ricaricare mai una cartuccia della batteria completamente carica.** La sovraccarica riduce la durata della batteria.
3. **Caricare la cartuccia della batteria con la temperatura ambiente da 10°C a 40°C.** Lasciar raffreddare una cartuccia della batteria calda prima di caricarla.
4. **Caricare la cartuccia della batteria una volta ogni sei mesi se non si intende usarla per un lungo periodo di tempo.**

DESCRIZIONE FUNZIONALE

⚠ ATTENZIONE:

- Accertarsi sempre che l'utensile sia spento e che la batteria sia stata rimossa prima di regolare o di controllare il funzionamento dell'utensile.

Installazione o rimozione della batteria (Fig. 1)

- Spegnerne sempre l'utensile prima di inserire o di rimuovere la cartuccia batteria.
- **Tenere saldamente l'utensile e la batteria quando si installa o si rimuove la batteria.**
Se non si tengono saldamente l'utensile e la cartuccia batteria, potrebbero sfuggire di mano danneggiandosi e causare una lesione personale.

Per rimuovere la batteria, toglierla dall'utensile spingendo allo stesso tempo il bottone sulla parte anteriore della batteria.

Per installare la batteria, allineare l'appendice della batteria sulla scanalatura dell'alloggiamento e spingerla in posizione. Inserirli completamente finché si blocca in posizione con uno piccolo scatto. Se si vede l'indicatore rosso sul lato superiore del bottone, vuol dire che la batteria non è bloccata completamente.

⚠ ATTENZIONE:

- Installare sempre completamente la batteria finché l'indicatore rosso non è più visibile. In caso contrario, potrebbe cadere accidentalmente fuori dall'utensile causando un incidente all'operatore o a chi gli è vicino.
- Non installare forzatamente la batteria. Se la batteria non scivola dentro facilmente, vuol dire che non viene inserita correttamente.

Sistema di protezione batteria (batteria agli ioni di litio con marchio di stella) (Fig. 2)

Le batterie agli ioni di litio con il marchio di una stella sono dotate di un sistema di protezione. Questo sistema interrompe automaticamente la corrente all'utensile per estendere la vita della batteria.

L'utensile si arresta automaticamente mentre funziona se esso o la batteria vengono a trovarsi in una delle condizioni seguenti:

- Sovraccarico:

L'utensile viene usato in un modo che causa un assorbimento di corrente anormalmente alto.

In tal caso, rilasciare l'interruttore sull'utensile e interrompere l'applicazione che ha causato il sovraccarico. Schiacciare poi di nuovo l'interruttore per riavviare l'utensile.

Se l'utensile non si avvia, vuol dire che la batteria è surriscaldata. In tal caso, lasciare raffreddare la batteria prima di schiacciare di nuovo l'interruttore.

- Bassa tensione della batteria:

La capacità restante della batteria è troppo bassa e l'utensile non funziona. In tal caso, rimuovere e ricaricare la batteria.

Funzionamento dell'interruttore (Fig. 3)

⚠ ATTENZIONE:

- Prima di inserire la cartuccia batteria nella motosega, accertarsi sempre che l'interruttore funzioni correttamente e che ritorni sulla posizione "OFF" quando lo si rilancia.

Per evitare che l'interruttore venga schiacciato accidentalmente, la motosega è dotata del bottone di sblocco. Per avviarla, spingere il bottone di sblocco e schiacciare l'interruttore. Rilasciare l'interruttore per fermarla.

MONTAGGIO

⚠ ATTENZIONE:

- Accertarsi sempre che l'utensile sia spento e che la batteria sia stata rimossa prima di qualsiasi intervento sull'utensile.

Installazione o rimozione della catena sega

⚠ ATTENZIONE:

- Accertarsi sempre che la motosega sia spenta e che la cartuccia batteria sia stata rimossa prima di installare o di rimuovere la catena.
- Indossare sempre i guanti per installare o rimuovere la catena.
- Usare soltanto la catena sega e barra guida con la punta barra progettata per questa motosega (vedere l'Estratto dalla lista dei ricambi).
- Per evitare i contraccolpi, non rimuovere la punta barra o sostituire la barra guida con una senza la punta barra.

Allentare la vite girando la manopola in senso antiorario finché il coperchio rocchetto si stacca. (Fig. 4)

Rimuovere il coperchio rocchetto.

Rimuovere la catena sega e la barra guida dall'utensile.

Montare una estremità della catena sega sulla parte superiore della barra guida. A questo punto, montare la catena come mostrato nella illustrazione, perché ruota nella direzione della freccia. (Fig. 5)

Sistemare la catena sega in modo che la molla sia posizionata al suo interno e montare l'altra estremità della catena sega intorno al rocchetto, come mostrato nella illustrazione. (Fig. 6)

Girando la barra guida in senso antiorario, installarla in modo che la fine della barra guida faccia contatto con la molla. (Fig. 7)

Inserire il gancio del coperchio rocchetto nel foro dell'utensile, e mettere poi il coperchio rocchetto sull'utensile. (Fig. 8)

Girare la manopola in senso orario per stringere saldamente la vite. (Fig. 9)

Regolazione della tensione della catena (Fig. 10 e 11)

La tensione della catena può essere regolata con il semplice allentamento della vite. Dopo la regolazione, stringere di nuovo saldamente la vite.

⚠ ATTENZIONE:

- Per un certo tempo dopo l'installazione di una nuova catena sega, essa tende ad allentarsi. Controllare di quando in quando la tensione della catena prima dell'uso.
- Una bassa tensione della catena potrebbe causare il suo distacco.
- L'installazione o la rimozione della catena devono essere eseguite in un luogo pulito, esente da polvere e simili.

Crampone (accessorio opzionale) (Fig. 12)

Per installare il crampone, procedere con i passi seguenti:

1. Rimuovere il coperchio del rocchetto, la catena sega e la barra di guida, come descritto nel manuale di istruzioni.
2. Far combaciare i fori del crampone con i fori della motosega.
3. Stringerli saldamente con viti.

FUNZIONAMENTO

Lubrificazione (Fig. 13)

La catena sega si lubrifica automaticamente quando l'utensile sta funzionando.

Controllare la quantità di olio restante nel serbatoio dell'olio attraverso la finestrella di ispezione olio.

Per rabboccare il serbatoio, togliere il tappo dall'apertura del serbatoio dell'olio.

Dopo il rabbocco del serbatoio, avvitare sempre il tappo del serbatoio dell'olio in dotazione alla motosega.

⚠ ATTENZIONE:

- Quando si rabbocca la motosega con l'olio catena per la prima volta, oppure rabboccando il serbatoio dopo che si è svuotato completamente, aggiungere l'olio fino al bordo inferiore del bocchettone di riempimento. L'alimentazione dell'olio potrebbe altrimenti essere ostacolata.
- Come olio catena, usare esclusivamente l'olio per motoseghe Makita o un olio disponibile sul mercato.
- Non si devono mai usare oli contenenti polvere e particelle, o oli volatili.
- Per la potatura degli alberi, usare oli botanici. Gli oli minerali potrebbero danneggiare gli alberi.
- Durante la potatura degli alberi non si deve mai forzare la motosega.
- Prima di fare un taglio, accertarsi che il tappo del serbatoio dell'olio in dotazione sia avvitato in posizione.

Tenere la motosega lontana dall'albero. Avviarla e aspettare finché la lubrificazione della catena sega sia adeguata.

Far contattare la guida punta/guida inferiore con il ramo da tagliare prima di accendere la motosega. Se si taglia senza che la guida punta/guida inferiore faccia contatto con il ramo, la barra guida potrebbe ondeggiare causando un incidente all'operatore.

Segare il legno da tagliare spostando semplicemente in giù la motosega.

Potatura degli alberi

⚠ ATTENZIONE:

- Tenere tutte le parti del corpo lontane dalla motosega quando il motore gira.
- Tenere saldamente la motosega con entrambe le mani mentre il motore gira.
- Non cercare di raggiungere parti lontane. Mantenere sempre i piedi appoggiati saldamente restando bilanciati.

Far contattare la guida punta/guida inferiore con il ramo da tagliare prima di accendere la motosega. Se si taglia senza che la guida punta/guida inferiore faccia contatto con il ramo, la barra guida potrebbe ondeggiare causando un incidente all'operatore. (Fig. 14 e 15)

Per tagliare i rami grossi, fare prima un taglio poco profondo dal basso e finire poi di tagliare dall'alto. (Fig. 16)

Se si cerca di tagliare i rami grossi dal basso, il ramo potrebbe abbassarsi incastrandolo la catena nel taglio. Se si cerca di tagliare i rami grossi dall'alto senza fare prima un taglio poco profondo dal basso, il ramo potrebbe spaccarsi. (Fig. 17)

Se non è possibile tagliare con un solo movimento:

Esercitare una leggera pressione sul manico, continuare a segare e tirare leggermente indietro la motosega, inserire il cuneo un po' più in basso e finire di tagliare alzando il manico. (Fig. 18)

Trasporto della motosega (Fig. 19)

Prima di trasportare la motosega, rimuovere sempre la cartuccia batteria e coprire la barra di scorrimento con il fodero. Coprire inoltre la cartuccia batteria con il coperchio della batteria.

MANUTENZIONE

⚠ ATTENZIONE:

- Accertarsi sempre che l'utensile sia spento e che la batteria sia stata rimossa prima dell'intervento di ispezione o manutenzione.
- Indossare sempre i guanti prima di eseguire qualsiasi ispezione o manutenzione.
- Mai usare benzina, benzene, solventi, alcol e altre sostanze simili. Potrebbero causare scolorimenti, deformazioni o crepe.

Affilatura della catena

⚠ ATTENZIONE:

- Rimuovere sempre la cartuccia batteria e indossare i guanti di protezione quando si lavora con la catena.

Affilare la catena della sega se:

- Si produce una segatura farinosa quando si taglia il legno bagnato;
- La catena penetra nel legno con difficoltà, anche se vi si applica sopra una grande pressione;
- Il bordo di taglio è palesemente danneggiato;
- La motosega tira a destra o a sinistra nel legno. Ciò è causato da una affilatura irregolare della catena, oppure se la catena è danneggiata su un lato soltanto. (Fig. 20)

Affilare frequentemente la catena, ma rimuovere soltanto poco materiale ogni volta.

Per la normale riaffilatura sono generalmente sufficienti due o tre colpi di lima. Dopo che la catena è stata riaffilata diverse volte, farla affilare in una officina di riparazione MAKITA specializzata.

Lima e modo di guidare la lima (Fig. 21)

- Per affilare la catena, usare una speciale lima rotonda per catene (accessorio opzionale) con un diametro di 4 mm. Le normali lime rotonde non sono adatte.
- La lima deve fare contatto con il materiale della catena soltanto durante la corsa in avanti. Sollevare la lima dal materiale durante la corsa di ritorno.
- Affilare per prima la lama più corta. La lunghezza di questa lama diventa la dimensione di calibro di tutte le altre lame della catena.
- Guidare la lama come mostrato nella illustrazione.
- La lima può essere guidata più facilmente se si usa un portalama (accessorio). Sul portalama ci sono i segni per l'angolo corretto di affilatura di 30° (allineare i segni paralleli alla catena) e limita la profondità di penetrazione (a 4/5 del diametro della lima).

Guidare la lima come mostrato nella illustrazione. (Fig. 22)

- Dopo aver affilato la catena, controllare l'altezza del calibro di spessore usando l'attrezzo di calibro della catena (accessorio opzionale).
- Rimuovere tutto il materiale sporgente, per quanto piccolo, con una speciale lima piatta (accessorio opzionale).
- Arrotondare di nuovo la parte anteriore del calibro di spessore.
- Lavare via la polvere e le particelle dalla catena dopo aver regolato l'altezza del calibro di spessore.

Pulizia della barra di scorrimento (Fig. 23)

Le bave e la segatura si accumulano nella cava della barra di scorrimento, intasandola e ostacolando il flusso dell'olio. Togliere sempre le bave e la segatura dopo aver affilato o rimontato la catena.

Pulizia del filtro dell'olio sul foro di scarico dell'olio

Durante l'utilizzo, sul filtro dell'olio nel foro di scarico olio si potrebbero essere accumulate polvere o particelle.

La polvere o le particelle sul filtro dell'olio potrebbero ostacolare il flusso di scarico dell'olio e causare una lubrificazione insufficiente dell'intera catena della sega.

Se sulla parte superiore della barra guida si verifica una scarsa alimentazione dell'olio catena, pulire il filtro come segue.

Rimuovere la cartuccia batteria dall'utensile.

Rimuovere dall'utensile il coperchio rocchetto e la catena sega. (Vedere la sezione dal titolo "Installazione o rimozione della catena sega".)

Togliere il dado di spinta usando un cacciavite piatto con un albero sottile, o simile. (Fig. 24)

Estrarre il filtro dalla motosega e rimuovere da esso la polvere o particelle. Se il filtro è troppo sporco, sostituirlo con un altro nuovo. (Fig. 25)

Inserire la cartuccia batteria nell'utensile.

Schiacciare l'interruttore per far uscire la polvere o particelle dal foro di scarico olio scaricando l'olio catena. (Fig. 26)

Rimuovere la cartuccia batteria dall'utensile. Inserire il filtro dell'olio nel foro di scarico olio. Se il filtro è troppo sporco, sostituirlo con un altro nuovo. (Fig. 27)

Inserire il dado di spinta, con il suo lato corretto rivolto in alto come mostrato nella illustrazione, nel foro di scarico olio per fissare il filtro. Se il filtro non può essere fissato con un dado di spinta deformato, sostituire il dado di spinta con un altro nuovo. (Fig. 28)

Reinstallare sull'utensile il coperchio rocchetto e la catena sega.

Sostituzione del rocchetto (Fig. 29 e 30)

Prima di montare una nuova catena sega, controllare le condizioni del rocchetto.

⚠ ATTENZIONE:

- Un rocchetto usurato danneggia una nuova catena sega. In tal caso, far sostituire il rocchetto. Il rocchetto deve essere installato in modo che sia sempre rivolto come mostrato nella illustrazione.

Montare sempre un nuovo anello di blocco quando si sostituisce il rocchetto.

Sostituzione delle spazzole di carbone (Fig. 31 e 32)

Rimuovere e controllare regolarmente le spazzole di carbone. Sostituirle quando sono usurate fino al segno del limite. Mantenere le spazzole di carbone pulite e libere di slittare nelle portaspazzole. Entrambe le spazzole di carbone devono essere sostituite allo stesso tempo. Usare soltanto spazzole di carbone identiche.

Usare un cacciavite per rimuovere i tappi dei portaspazzole. Estrarre le spazzole di carbone usurate, inserire le nuove spazzole e fissare i tappi dei portaspazzole.

Immagazzinaggio

Pulire l'utensile prima di immagazzinarlo. Togliere dall'utensile tutti i trucioli e la segatura dopo aver rimosso il coperchio rocchetto. Dopo aver pulito l'utensile, farlo girare a vuoto per lubrificare la catena sega e la barra guida.

Coprire la barra guida con il fodero.

Togliere l'olio dal serbatoio per svuotarlo, e mettere la motosega con il tappo del serbatoio rivolto in alto.

Per mantenere la SICUREZZA e l'AFFIDABILITÀ dell'utensile, le riparazioni e qualsiasi altra manutenzione o regolazione devono essere eseguite da un centro di assistenza Makita autorizzato usando sempre ricambi Makita.

Istruzioni per la manutenzione periodica

Per assicurare la lunga vita di servizio, evitare danni e assicurare il pieno funzionamento delle caratteristiche per la sicurezza, bisogna eseguire periodicamente la manutenzione seguente.

Le clausole della garanzia sono valide soltanto se questo lavoro viene eseguito regolarmente e correttamente. La mancata esecuzione del lavoro di manutenzione prescritto può causare incidenti.

L'utente della motosega non deve eseguire un lavoro di manutenzione non descritto in questo manuale di istruzioni. Tale lavoro deve essere eseguito da un Centro di Assistenza autorizzato.

Tempo di utilizzo Voce		Prima del lavoro	Ogni giorno	Ogni settimana	Ogni 3 settimane	Annualmente	Prima dell'immagazzinaggio
Motosega	Ispezione.	<input type="radio"/>					
	Pulitura.		<input type="radio"/>				
	Controllo presso un Centro di Assistenza autorizzato.					<input type="radio"/>	<input type="radio"/>
Catena sega	Ispezione.	<input type="radio"/>					
	Affilare, se necessario.						<input type="radio"/>
Barra guida	Ispezione.	<input type="radio"/>	<input type="radio"/>				
	Rimuovere dalla catena sega.						<input type="radio"/>
Lubrificazione catena	Controllare la velocità di alimentazione olio.	<input type="radio"/>					
Grilletto interruttore	Ispezione.	<input type="radio"/>					
Bottone di sblocco	Ispezione.	<input type="radio"/>					
Tappo serbatoio olio	Controllare il serraggio.	<input type="radio"/>					
Fermacatena	Ispezione.			<input type="radio"/>			
Viti e dadi	Ispezione.			<input type="radio"/>			

014813

CORREZIONE DEI PROBLEMI

Prima di richiedere una riparazione, eseguire prima da soli l'ispezione. Se si riscontra un problema non contemplato nel manuale, non cercare di smontare l'utensile. Rivolgersi a un centro di assistenza Makita autorizzato, chiedendo che per le riparazioni vengano sempre usati ricambi Makita.

Malfunzionamento	Causa	Rimedio
La motosega non si avvia.	La cartuccia batteria non è stata installata.	Installare la cartuccia batteria caricata.
	Problema della batteria (tensione insufficiente).	Ricaricare la cartuccia batteria. Se la ricarica non ha effetto, sostituire la cartuccia batteria.
Il motore si arresta dopo poco.	Il livello di carica della batteria è basso.	Ricaricare la cartuccia batteria. Se la ricarica non ha effetto, sostituire la cartuccia batteria.
Non c'è olio nella catena.	Il serbatoio dell'olio è vuoto.	Riempire il serbatoio dell'olio.
	La scanalatura di guida olio è sporca.	Pulire la scanalatura.
	Malfunzionamento della pompa dell'olio.	Rivolgersi per la riparazione a un centro di assistenza locale autorizzato.
Non raggiunge i giri massimi al minuto.	La cartuccia batteria non è installata correttamente.	Installare la cartuccia batteria come descritto in questo manuale.
	Il livello di carica della batteria è basso.	Ricaricare la cartuccia batteria. Se la ricarica non ha effetto, sostituire la cartuccia batteria.
	Il sistema di trasmissione non funziona correttamente.	Rivolgersi per la riparazione a un centro di assistenza locale autorizzato.
La catena non si arresta: Fermare immediatamente la macchina!	Malfunzionamento dell'interruttore.	Rivolgersi per la riparazione a un centro di assistenza locale autorizzato.
Vibrazione anormale: Fermare immediatamente la macchina!	La barra di guida o la catena sega è allentata.	Regolare la barra di guida e la tensione della catena sega.
	Malfunzionamento dell'utensile.	Rivolgersi per la riparazione a un centro di assistenza locale autorizzato.

014814

ACCESSORI OPZIONALI

ENG905-1

ATTENZIONE:

- Questi accessori o attrezzi sono consigliati per l'uso con l'utensile Makita specificato in questo manuale. L'impiego di altri accessori o attrezzi può costituire un rischio di lesioni alle persone. Usare gli accessori soltanto per il loro scopo prefissato.

Per ottenere maggiori dettagli su questi accessori, rivolgersi a un centro di assistenza Makita autorizzato.

- Vari tipi di batterie e caricatori genuini Makita
- Catena sega
- Fodero
- Barra guida completa
- Lima

NOTA:

- Alcuni articoli nella lista potrebbero essere inclusi nell'imballo dell'utensile come accessori standard. Essi potrebbero differire da Paese a Paese.

Rumore

Il tipico livello di rumore pesato A determinato secondo EN60745:

Modello DUC122

Livello pressione sonora (L_{pA}): 84,6 dB (A)

Livello potenza sonora (L_{WA}): 92,7 dB (A)

Incertezza (K): 2 dB (A)

Indossare i paraorecchi

ENG900-1

Vibrazione

Il valore totale di vibrazione (somma vettore triassiale) determinato secondo EN60745:

Modello DUC122

Modalità di lavoro: taglio del legno

Emissione di vibrazione (a_n): 4,3 m/s²

Incertezza (K): 1,5 m/s²

- Il valore di emissione delle vibrazioni dichiarato è stato misurato conformemente al metodo di test standard, e può essere usato per paragonare un utensile con un altro.
- Il valore di emissione delle vibrazioni dichiarato può anche essere usato per una valutazione preliminare dell'esposizione.

⚠ AVVERTIMENTO:

- L'emissione delle vibrazioni durante l'uso reale dell'utensile elettrico può differire dal valore di emissione dichiarato a seconda dei modi in cui viene usato l'utensile.
- Identificare le misure di sicurezza per la protezione dell'operatore basate sulla stima dell'esposizione nelle condizioni reali d'utilizzo (tenendo presente tutte le parti del ciclo operativo, come le volte in cui l'utensile viene spento e quando gira a vuoto, oltre al tempo di funzionamento).

ENH030-5

Modello per l'Europa soltanto

Dichiarazione CE di conformità

Makita dichiara che la macchina seguente:

Designazione della macchina:

Motosega a batteria

Modello No./Tipo: DUC122

Dati tecnici: vedere la tabella "DATI TECNICI".

Conforme alle Direttive Europee:

2000/14/CE, 2006/42/CE

È stata fabbricata in conformità allo standard e ai documenti standardizzati seguenti:

EN ISO 11681-2

Certificato di conformità tipo CE n. 4814056.14009

L'esame del tipo CE per 2006/42/CE è stato eseguito da:

DEKRA Testing and Certification GmbH

Enderstraße 92b

01277 Dresden

Germania

Numero di identificazione 2140

La documentazione tecnica conforme 2006/42/CE è disponibile da:

Makita, Jan-Baptist Vinkstraat 2, 3070, Belgio

La procedura di determinazione della conformità richiesta dalla Direttiva 2000/14/CE è stata eseguita secondo l'allegato V.

Livello di potenza sonora misurato: 93 dB (A)

Livello di potenza sonora garantito: 95 dB (A)

23.9.2014



Yasushi Fukaya

Amministratore

Makita, Jan-Baptist Vinkstraat 2, 3070, Belgio

Verklaring van algemene gegevens

1 Rood aanduiding	11 Pijl	21 Kettingbeschermer (kettingkast)
2 Knop	12 Veer	22 Drukdop
3 Accu	13 Kettingwiel	23 Platkopschroevendraaier
4 Stermarkering	14 Haak	24 Filter
5 Ontgrendelknop	15 Gat	25 Borgring
6 Trekschakelaar	16 Dop van olietank	26 Ring
7 Afdekking van het kettingwiel	17 Oliepeilglas	27 Limietmarkering
8 Knop	18 Olievulopening	28 Dop van koolborstelhouder
9 Zaagschalm	19 Puntgeleider	29 Schroevendraaier
10 Zaagblad	20 Onderkantgeleider	

TECHNISCHE GEGEVENS

Model		DUC121	DUC122
Standaardzaagblad	Lengte zaagblad	115 mm	
	Zaaglengte	11,5 cm	
	Type	Precisieblad	
Standaardzaagketting	Type	25 AP	
	Steek	6,35 mm (1/4")	
	Maat	1,3 mm (0,05")	
	Aantal kettingschakels	42	
Kettingwiel	Aantal zaagtanden	9	
	Steek	6,35 mm (1/4")	
Totale lengte		422 mm	
Netto gewicht		2,5 kg	2,6 kg
Kettingsnelheid per minuut (min ⁻¹)		4,8 m/s (290 m/min.)	5,0 m/s (300 m/min.)
Volume kettingoliereservoir		80 cm ³	
Nominale spanning		D.C. 14,4 V	D.C. 18 V

GEB119-1

• In verband met ononderbroken research en ontwikkeling behouden wij ons het recht voor bovenstaande technische gegevens te wijzigen zonder voorafgaande kennisgeving.

• De technische gegevens de accu kunnen van land tot land verschillen.

• Gewicht, inclusief accu, volgens de EPTA-procedure 01/2003

WAARSCHUWING: Gebruik de juiste combinatie van zaagblad en zaagketting. Anders loopt u de kans op lichamelijk letsel.

ENE090-1

Doelinden van gebruik

Dit gereedschap is bestemd voor het afzagen van takken / bijtrimmen van bomen. Het is ook geschikt voor de verzorging van bomen.

GEA010-1

Algemene veiligheids waarschuwingen voor elektrisch gereedschap

⚠ WAARSCHUWING! Lees alle veiligheids waarschuwingen en alle instructies. Het niet volgen van de waarschuwingen en instructies kan leiden tot elektrische schokken, brand en/of ernstig letsel.

Bewaar alle waarschuwingen en instructies om in de toekomst te kunnen raadplegen.

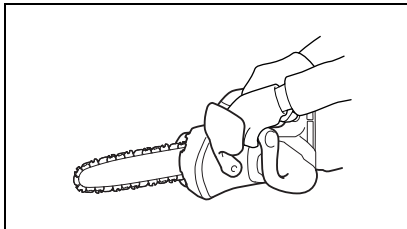
VEILIGHEIDSWAARSCHUWINGEN SPECIFIEK VOOR ACCU-KETTINGZAGEN:

- Houd alle lichaamsdelen uit de buurt van de zaagketting terwijl de kettingzaag in bedrijf is. Alvorens de kettingzaag te starten, controleert u dat de zaagketting niet raakt.** In slechts een kort moment van onoplettendheid tijdens het gebruik van de kettingzaag kan uw kleding of lichaam in aanraking komen met de zaagketting.
- Wanneer u de kettingzaag met beide handen vastpakt, houdt u het apparaat altijd vast met uw rechterhand aan de achterhandgreep en uw linkerhand aan de voorhandgreep.** Houd de kettingzaag nooit vast met uw handen verwisseld, omdat dan de kans op persoonlijk letsel groter is.
- Houd het elektrisch gereedschap alleen vast bij het geïsoleerde oppervlak omdat de kettingzaag met verborgen bedrading in aanraking kan komen.** Wanneer de kettingzaag in aanraking komt met onder spanning staande draden, zullen de niet-geïsoleerde metalen delen van het gereedschap onder spanning komen te staan zodat de gebruiker een elektrische schok kan krijgen.

4. **Draag een veiligheidsbril en gehoorbescherming. Verdere veiligheidsmiddelen voor hoofd, handen, benen en voeten worden aanbevolen.** Afdoende beschermende kleding verkleint de kans op persoonlijk letsel als gevolg van rondvliegend afval of het per ongeluk aanraken van de zaagketting.
5. **Zorg altijd dat u stevig staat.** Op een glibberige of onstabiele ondergrond kunt u uw evenwicht of de beheersing over de kettingzaag verliezen.
6. **Bij het afzagen van een tak die onder spanning staat, let u goed op eventuele terugslag.** Wanneer de spanning in de houtvezels vrij komt, kan de onder spanning staande tak de gebruiker een tik geven of ertoe leiden dat hij/zij de controle over de kettingzaag verliest.
7. **Wees uiterst voorzichtig bij het zagen van struiken en jonge boompjes.** Het dunne materiaal kan zich vasthaken aan de zaagketting en naar u toe geslingerd worden of u uit balans brengen.
8. **Draag de kettingzaag aan de voorhandgreep terwijl deze uitgeschakeld is en van uw lichaam af gekeerd is. Bij het transporteren of opbergen van de zaagketting moet altijd de schede om het zaagblad worden gedaan.** Een juiste behandeling van de kettingzaag verkleint de kans op het per ongeluk aanraken van de bewegende zaagketting.
9. **Volg de instructies voor het smeren, kettingspannen, en verwisselen van accessoires.** Een verkeerd gespannen of gesmeerde ketting kan breken of verhoogt de kans op terugslag.
10. **Houd de handgrepen droog, schoon en vrij van olie en vetten.** Met vet of olie bevuilde handgrepen zijn glad en leiden tot verlies van controle over de kettingzaag.
11. **Zaag uitsluitend hout. Gebruik de kettingzaag niet voor doeleinden waarvoor deze niet bedoeld is. Bijvoorbeeld: gebruik de kettingzaag niet om kunststof, steen of bouwmaterialen anders dan hout te zagen.** Het gebruik van de kettingzaag bij andere werkzaamheden dan waarvoor deze bedoeld is, kan leiden tot gevaarlijke situaties.
12. **Oorzaken van terugslag en wat de gebruiker hieraan kan doen:**
 Terugslag kan zich voordoen wanneer de neus of voorrand van het zaagblad een voorwerp raakt of wanneer het hout zich sluit en de zaagketting in de zaagsnede vastklemt.
 Zagen met alleen de punt van het zaagblad kan een plotselinge, omgekeerde reactie veroorzaken waardoor het zaagblad omhoog geworpen wordt in de richting van de gebruiker.
 Het beknelen van de zaagketting langs de bovenrand van het zaagblad kan het zaagblad snel terugwerpen in de richting van de gebruiker.
 Deze beide reacties kunnen ertoe leiden dat u de controle over de kettingzaag verliest waardoor ernstig persoonlijk letsel kan ontstaan. Wees niet afhankelijk van alleen de veiligheidsvoorzieningen ingebouwd in uw kettingzaag. Als gebruiker van de kettingzaag moet u meerdere stappen ondernemen om ervoor te zorgen dat uw zaagwerkzaamheden zonder ongelukken of letsel verlopen.

Terugslag is het gevolg van misgebruik van het gereedschap en/of onjuiste gebruiksprocedures of -omstandigheden, en kan worden voorkomen door goede voorzorgsmaatregelen te treffen, zoals hieronder vermeld:

- **Houd de kettingzaag stevig vast, met de duimen en vingers rondom de handgrepen van de kettingzaag, met beide handen en positioneer uw lichaam en armen zodanig dat u een eventuele terugslag kan opvangen.** De kracht van een terugslag kan worden opgevangen door de gebruiker mits de juiste voorzorgsmaatregelen getroffen worden. Laat de kettingzaag nooit los.



014673

- **Reik niet te ver en zaag nooit boven schouderhoogte.** Dit helpt te voorkomen dat de punt van het zaagblad per ongeluk iets raakt en biedt een betere controle van de kettingzaag in onverwachte situaties.
 - **Gebruik bij het vervangen van het zaagblad of de zaagketting uitsluitend onderdelen die zijn opgegeven door de fabrikant.** Vervanging door een verkeerd zaagblad of zaagketting kan ertoe leiden dat de zaagketting breekt en/of terugslaat.
 - **Volg de instructies van de fabrikant over het slijpen en onderhouden van de zaagketting.** Het verlagen van de hoogte van de dieptevoeler kan leiden tot toegenomen terugslag.
13. Alvorens met het werk te beginnen, controleert u dat de kettingzaag zich in goede werkende staat bevindt, en dat deze voldoet aan de veiligheidsregels. Controleer met name dat:
 - De uitlooprem goed werkt;
 - Het zaagblad en de afdekking van kettingwiel goed zijn gemonteerd;
 - De ketting is geslepen en gespannen overeenkomstig de regels;
 14. **Start de kettingzaag niet terwijl de schede om het zaagblad is geplaatst.** Als de kettingzaag wordt gestart terwijl de schede om het zaagblad is geplaatst, kan de schede naar voren worden weggevoerd, waardoor in de buurt van de operator persoonlijk letsel en materiële schade kan worden veroorzaakt.

Specifieke veiligheidsvoorschriften voor de kettingzaag met bovenhandgreep

1. Deze kettingzaag is specifiek ontworpen voor de verzorging van bomen en boomchirurgie. De kettingzaag is alleen bestemd voor gebruik door hiervoor opgeleide personen. Neem alle voorschriften, aanwijzingen en aanbevelingen van de relevante professionele organisatie in acht. Anders bestaat de kans op ongelukken met fatale afloop. Het is aanbevolen om altijd een hefplatform (lift of hoogwerker) te gebruiken voor zaagwerk boven in een boom. In de boom klimmen met een touw kan erg gevaarlijk zijn en speciale training vereisen. De gebruiker moet getraind zijn in het gebruik van veiligheidsvoorzieningen en klimtechnieken. Gebruik bij het werken in een boom altijd de juiste gordels, touwen en musketons. Beveilig uzelf en de zaag terdege met de nodige veiligheidsgordels.
2. Verricht het reinigen en onderhoud vóór opslag strikt volgens de gebruiksaanwijzing.
3. Plaats de kettingzaag bij vervoer in een auto zorgvuldig rechtop op een veilige plek om lekkage van brandstof en olie te vermijden en schade aan het gereedschap en lichamenlijk letsel te voorkomen.
4. Verricht het bijvullen van kettingolie niet bij open vuur. Zorg dat er bij het bijvullen van kettingolie niet gerookt wordt.
5. Nationale voorschriften kunnen soms het gebruik van de kettingzaag verbieden.
6. Als het gereedschap valt of een zware klap krijgt, dient u de toestand ervan grondig te controleren voordat u ermee verder werkt. Controleer de bedieningsknoppen en veiligheidsvoorzieningen op defecten. Als u enige schade bespeurt of twijfelt, verzoek u dan onze erkende onderhoudsdienst om inspectie en reparatie.
7. Trek altijd dat de kettingrem aan voordat u de kettingzaag start.
8. Zorg bij het laatste volledig doorzagen dat u goed uw evenwicht bewaart, om niet door het "vallen" van de zaag verrast te worden.
9. Houd rekening met de windrichting en de kracht van windvlagen. Kom niet in een wolk van zaagsel en kettingoliedamp te staan.

Veiligheidsvoorzieningen

1. **Ter voorkoming van hoofd-, oog-, hand- of voetverwondingen en om uw gehoor te beschermen moet u tijdens het gebruik van de kettingzaag de volgende veiligheidsvoorzieningen dragen:**
 - Draag geschikte werkkleding, m.a.w. goed nauwsluitend maar niet zo strak dat het u in uw bewegingen belemmert. Draag geen sieraden of losse kleding die aan takken of gebladerte kan blijven haken. Als u lang haar hebt, draag u dan altijd een haarnet!
 - Het dragen van een veiligheidshelm is een must bij het werken met de kettingzaag. De **veiligheidshelm** moet regelmatig op schade worden gecontroleerd en moet uiterlijk na 5 jaar worden vervangen. Gebruik alleen officieel goedgekeurde veiligheidshelmen.

- Het vizier van een veiligheidshelm (of een veiligheidsbril) biedt bescherming tegen zaagsel en houtspaanders. Tijdens het werken met de kettingzaag dient u altijd een veiligheidsbril of het vizier van de helm te dragen om oogletsel te voorkomen.
- Draag afdoende **oorbescherming** (oorkleppen, oordopjes, enz.)
- Een **veiligheidsjas** is gemaakt van 22 lagen nylon, die de drager tegen snijwonden beschermt. U dient altijd een dergelijke jas te dragen bij het werken op een hefplatform (lift of hoogwerker), een plankier op ladders of bij het klimmen met behulp van touwen.
- Een **veiligheidsoverall of verstevigde tuinbroek** is gemaakt van 22 lagen nylon en beschermt de drager tegen snijwonden. Wij raden u sterk het gebruik hiervan aan.
- **Beschermende handschoenen** van dik leer maken deel uit van de voorgeschreven veiligheidsvoorzieningen; draag tijdens het werken met de kettingzaag altijd een paar.
- Draag bij het werken met de kettingzaag altijd een paar **veiligheidsschoenen** of **veiligheidslaarzen** met antislipzolen, stalen neuzen en scheenbeschermers. Verstevigd veiligheidschoeisel zorgt dat u stevig staat en biedt bescherming tegen snijwonden. Voor het werken boven in bomen moet het veiligheidschoeisel bovendien geschikt zijn voor klimtechnieken.

Trillingen

1. Personen met een zwakke bloedsomloop kunnen bij blootstelling aan heftige trillingen last krijgen van schade aan bloedvaten of het centraal zenuwstelsel. Trillingen kunnen de volgende symptomen veroorzaken in uw vingers, handen of polsen: "Slapende" (gevoelloze) vingers, tintelen, pijn, scherpe steken, verandering van huidgevoeligheid of huidtint. **Ondervindt u een of meer van deze symptomen, raadpleeg dan een arts!** Om het risico van "witte-vingerziekte" te verminderen, dient u tijdens gebruik te zorgen dat uw handen warm blijven en verder ook uw gereedschap en accessoires in goede staat te houden.

BEWAAR DEZE VOORSCHRIFTEN.



WAARSCHUWING:

Laat u NIET misleiden door een vals gevoel van comfort en bekendheid met het gereedschap (na veelvuldig gebruik) en neem alle veiligheidsvoorschriften van het betreffende gereedschap altijd strikt in acht. **VERKEERD GEBRUIK** of het niet naleven van de veiligheidsvoorschriften in deze gebruiksaanwijzing kan leiden tot ernstige verwondingen.

BELANGRIJKE VEILIGHEIDSVORSCHRIFTEN

VOOR ACCU

1. Lees alle voorschriften en waarschuwingen op (1) de acculader, (2) de accu, en (3) het product waarvoor de accu wordt gebruikt, aandachtig door alvorens de acculader in gebruik te nemen.
2. Neem de accu niet uit elkaar.
3. Als de gebruikstijd van een opgeladen accu aanzienlijk korter is geworden, moet u het gebruik ervan onmiddellijk stopzetten. Voortgezet gebruik kan oververhitting, brandwonden en zelfs een ontploffing veroorzaken.
4. Als er elektrolyt in uw ogen is terechtgekomen, spoel dan uw ogen met schoon water en roep onmiddellijk de hulp van een dokter in. Elektrolyt in de ogen kan blindheid veroorzaken.
5. Voorkom kortsluiting van de accu:
 - (1) Raak de acculemmen nooit aan met een geleidend materiaal.
 - (2) Bewaar de accu niet in een bak waarin andere metalen voorwerpen zoals spijkers, munten e.d. worden bewaard.
 - (3) Stel de accu niet bloot aan water of regen. Kortsluiting van de accu kan oorzaak zijn van een grote stroomafgifte, oververhitting, brandwonden, en zelfs defecten.
6. Bewaar het gereedschap en de accu niet op plaatsen waar de temperatuur kan oplopen tot 50°C of hoger.
7. Werp de accu nooit in het vuur, ook niet wanneer hij zwaar beschadigd of volledig versleten is. De accu kan namelijk ontploffen in het vuur.
8. Wees voorzichtig dat u de accu niet laat vallen en hem niet blootstelt aan schokken of stoten.
9. Gebruik nooit een beschadigde accu.
10. Volg de plaatselijk geldende voorschriften voor het inleveren of wegwerpen van batterijen.

BEWAAR DEZE VOORSCHRIFTEN.

Tips voor een maximale levensduur van de accu

1. Laad de accu op voordat hij volledig ontladen is. Stop het gebruik van het gereedschap en laad de accu op telkens wanneer u vaststelt dat het vermogen van het gereedschap is afgenomen.
2. Laad een volledig opgeladen accu nooit opnieuw op. Als u de accu te veel oplaadt, zal hij minder lang meegaan.
3. Laad de accu op bij een kamertemperatuur tussen 10°C en 40°C. Laat een warme accu afkoelen alvorens hem op te laden.
4. Laad de accu zeker elk half jaar een keer op, ook als u deze geruime tijd lang niet gebruikt.

BESCHRIJVING VAN DE FUNCTIES

⚠ LET OP:

- Zorg altijd dat het gereedschap is uitgeschakeld en de accu ervan is verwijderd alvorens de functies op het gereedschap af te stellen of te controleren.

Installeren of verwijderen van de accu (Fig. 1)

- Schakel het gereedschap altijd uit alvorens de accu te installeren of te verwijderen.
- **Houd het gereedschap en de accu stevig vast wanneer u de accu aanbrengt of verwijdert.**
Als u het gereedschap en de accu niet stevig vasthoudt, zou er iets uit uw handen kunnen glijpen, met mogelijke schade aan het gereedschap of de accu en kans op lichamelijk letsel.

Om de accu te verwijderen, schuift u deze uit het gereedschap los terwijl u de knop voorop de accu ingedrukt houdt.

Voor het aanbrengen van de accu plaatst u de tong van de accu in de groef van de behuizing en schuift u de accu op zijn plaats. Schuif de accu er altijd volledig in totdat die op zijn plaats vast klikt. Wanneer de rode indicator op de bovenkant van de knop nog zichtbaar is, zit de accu niet volledig erin.

⚠ LET OP:

- Schuif de accu volledig erin totdat de rode indicator niet meer zichtbaar is. Als u dit nalaat, zou de accu uit het gereedschap kunnen vallen en uzelf of anderen kunnen verwonden.
- Druk de accu er niet met kracht in. Als de accu er niet soepel in gaat, houdt u die waarschijnlijk in de verkeerde stand.

Accubeveiligingssysteem (lithium-ionenaccu met een stermarkering) (Fig. 2)

Lithium-ionenaccu's met een stermarkering zijn voorzien van een beveiligingssysteem. Dat kan automatisch de stroomtoevoer afsluiten om de levensduur van de accu te verlengen.

Het gereedschap kan tijdens gebruik automatisch stoppen wanneer het gereedschap en/of de accu aan één van de volgende omstandigheden wordt blootgesteld:

- Overbelasting:
Als het gereedschap wordt gebruikt op een manier die een abnormaal hoge stroomsterkte vergt. In dat geval laat u de trekschakelaar van het gereedschap los en verhelpt u de oorzaak van de overbelasting. Vervolgens drukt u de trekschakelaar weer in om het gereedschap te herstarten.
Als het gereedschap niet start, kan de accu oververhit zijn. In dat geval laat u de accu even afkoelen voordat u de trekschakelaar opnieuw indrukt.
- Onvoldoende accuspanning:
Als de resterende accuspanning onvoldoende is, zal het gereedschap niet starten. In dat geval verwijdert u de accu en laadt u die opnieuw op.

Werking van de trekschakelaar (Fig. 3)

⚠ LET OP:

- Alvorens de accu in de machine te plaatsen, moet u altijd controleren of de trekschakelaar juist werkt en bij het loslaten naar de "OFF" positie terugkeert.

Deze machine is voorzien van een ontgrendelknop, om te voorkomen dat de trekschakelaar per ongeluk wordt ingedrukt.

Om de machine te starten, drukt u de ontgrendelknop in en daarna drukt u de trekschakelaar in. Om de machine te stoppen, laat u de trekschakelaar los.

INEENZETTEN

⚠ LET OP:

- Controleer altijd of het gereedschap is uitgeschakeld en de accu ervan is verwijderd alvorens enig werk aan het gereedschap uit te voeren.

Aanbrengen of verwijderen van de zaagketting

⚠ LET OP:

- Controleer altijd of de machine is uitgeschakeld en de accu is verwijderd alvorens de zaagketting aan te brengen of te verwijderen.
- Draag altijd handschoenen wanneer u de zaagketting aanbrengt of verwijderd.
- Gebruik uitsluitend een zaagketting en zaagblad met punt die ontworpen zijn voor deze kettingzaag (zie de Verkorte vervangingsonderdelenlijst).
- Om terugslag te voorkomen mag u de punt van het zaagblad niet verwijderen of het zaagblad vervangen door een andere zonder punt.

Draai de schroef los door de knop linksom te draaien tot dat de afdekking van het kettingwiel eraf komt. (Fig. 4) Verwijder de afdekking van het kettingwiel.

Verwijder de zaagketting en het zaagblad vanaf de kettingzaag.

Pas een uiteinde van de zaagketting rond de voorkant van het zaagblad. Monteer op dat moment de zaagketting zoals aangegeven in de afbeelding omdat deze draait in de richting van de pijl. (Fig. 5)

Plaats de zaagketting zo dat de veer er binnen valt en pas het andere eind van de zaagketting rond het kettingwiel zoals in de afbeelding wordt getoond. (Fig. 6)

Draai het zaagblad linksom en monteer tegelijkertijd het zaagblad zodanig dat het uiteinde ervan de veer raakt. (Fig. 7)

Steek de haak op de afdekking van het kettingwiel in de opening van de kettingzaag en leg de afdekking van het kettingwiel op de kettingzaag. (Fig. 8)

Draai de knop rechtsom om de schroef stevig vast te draaien. (Fig. 9)

De kettingspanning instellen (Fig. 10 en 11)

Door de schroef iets los te draaien kunt u de kettingspanning instellen. Draai na het instellen de schroef weer stevig vast.

⚠ LET OP:

- Nadat een nieuwe zaagketting is gemonteerd, zal deze gedurende enige tijd rekken. Controleer regelmatig de kettingspanning vóór gebruik.
- Als de zaagketting te slap hangt, kan deze van het zaagblad af lopen.
- Het monteren en verwijderen van de zaagketting dient te gebeuren op een schone plaats zonder zaagsel, enz.

Blokkeerbeugel (optioneel accessoire) (Fig. 12)

Voor het installeren van de blokkeerbeugel verricht u de volgende stappen:

1. Verwijder het tandwieldeksel, de zaagketting en het zaagblad zoals beschreven in deze gebruiksaanwijzing.
2. Plaats de gaten van de blokkeerbeugel over de schroefgaten in de kettingzaag.
3. Zet de blokkeerbeugel stevig met schroeven vast.

BEDIENING

Smeren (Fig. 13)

De zaagketting wordt automatisch gesmeerd tijdens het gebruik van de kettingzaag.

Controleer hoeveel olie er nog in de olietank zit door naar het oliepeilglas te kijken.

Om de olietank bij te vullen, draait u de dop van de olie-vulopening van de olietank af.

Draai na het bijvullen van de olietank altijd de dop weer op de olie-vulopening van de olietank.

⚠ LET OP:

- Wanneer u de kettingzaag voor het eerst vult met kettingolie, of de olietank bijvult nadat deze geheel leeg is geraakt, vult u olie bij tot aan de onderrand van de vulnek. Anders kan de olietoevoer gehinderd worden.
- Als kettingolie gebruikt u een olie exclusief voor Makita-kettingzagen of een in de winkel verkrijgbare kettingolie.
- Gebruik nooit olie verontreinigd met vuil- en stofdeeltjes of vluchtige olie.
- Gebruik botanische olie voor het snoeien van bomen. Minerale olie kan de bomen beschadigen.
- Dwing de kettingzaag nooit tijdens het snoeien van bomen.
- Voordat u de kettingzaag uitzet, controleert u of de bijgeleverde dop op de olie-vulopening van de olietank is gedraaid.

Houd de kettingzaag uit de buurt van de boom. Start de kettingzaag en wacht tot de zaagketting voldoende gesmeerd is.

Breng de puntgeleider/onderkantgeleider in aanraking met de tak die u wilt afzagen alvorens de kettingzaag in te schakelen. Als u begint te zagen zonder eerst de puntgeleider/onderkantgeleider in aanraking te brengen met de tak die u wilt afzagen kan het zaagblad gaan schommelen, waardoor letsel van de gebruiker kan worden veroorzaakt.

Zaag het hout door de kettingzaag omlaag te bewegen.

Snoeien van bomen

⚠ LET OP:

- Houd alle delen van uw lichaam uit de buurt van de zaagketting wanneer de motor draait.
- Houd de kettingzaag stevig vast met beide handen wanneer de motor draait.
- Reik niet te ver. Zorg ervoor dat u altijd stevige steun voor de voeten hebt en uw evenwicht behoudt.

Breng de puntgeleider/onderkantgeleider in aanraking met de tak die u wilt afzagen alvorens de kettingzaag in te schakelen. Als u begint te zagen zonder eerst de puntgeleider/onderkantgeleider in aanraking te brengen met de tak die u wilt afzagen kan het zaagblad gaan schommelen, waardoor letsel van de gebruiker kan worden veroorzaakt. (Fig. 14 en 15)

Voor het zagen van dikke takken moet u eerst een ondiepe ondersnede maken en dan de rest van de snede van boven af zagen. (Fig. 16)

Wanneer u dikke takken vanaf de onderkant van de tak probeert af te zagen, kan de tak zich sluiten zodat de zaagketting in de zaagsnede vastgeklemd raakt. Wanneer u dikke takken vanaf de bovenkant probeert af te zagen zonder een ondiepe snede van onderen te maken, kan de tak splinteren. (Fig. 17)

Indien u niet in één keer recht door het hout kunt zagen: Oefen lichte druk uit op het handvat en ga door met zagen en trek de kettingzaag een beetje terug; breng de spijkers een beetje lager aan en zaag de rest van de snede door het handvat omhoog te brengen. (Fig. 18)

Dragen van de machine (Fig. 19)

Verwijder altijd de accu uit het gereedschap en plaats de kettingbeschermer op het zaagblad alvorens het gereedschap te gaan dragen. Plaats ook het accudeksel op de accu.

ONDERHOUD

⚠ LET OP:

- Zorg altijd dat het gereedschap is uitgeschakeld en de accu ervan is verwijderd alvorens te beginnen met onderhoud of inspectie.
- Draag voor inspectie- of onderhoudswerkzaamheden altijd handschoenen.
- Gebruik nooit benzine, wasbenzine, thinner, alcohol en dergelijke. Hierdoor het verkleuring, vervormingen en barsten worden veroorzaakt.

De zaagketting slijpen

⚠ LET OP:

- Haal altijd de accu van het gereedschap af en draag altijd veiligheidshandschoenen wanneer u werkzaamheden uitvoert aan de kettingzaag.

Slijp de zaagketting als:

- Poederachtig zaagsel wordt geproduceerd tijdens het zagen van vochtig hout;
- De zaagketting moeizaam in het hout binnendringt, zelfs wanneer hoge druk wordt uitgeoefend;
- De zaagsnede duidelijk beschadigd is;
- De kettingzaag naar links of rechts trekt in het hout. De reden hiervan is een ongelijkmatige scherpte van de zaagketting, of een beschadiging aan slechts een kant. (Fig. 20)

Slijp de zaagketting veelvuldig, maar slijp iedere keer slechts een weinig materiaal weg.

Twee of drie bewegingen met een vijl zijn doorgaans voldoende voor regelmatig bijslijpen. Als de zaagketting meerdere malen is bijgeslepen, laat u deze een keer slijpen door een in MAKITA gespecialiseerde reparatiedienst.

Vijl en vijlbeweging (Fig. 21)

- Gebruik een speciale ronde vijl (optioneel accessoire) voor het slijpen van een zaagketting met een diameter van 4 mm. Normale ronde vijlen zij niet geschikt.
- De vijl mag alleen tijdens de voorwaartse beweging met het materiaal in aanraking komen. Til de vijl van het materiaal af tijdens de achterwaartse beweging.
- Slijp eerst het kortste mes. De lengte van dit mes is vervolgens de maatstaf voor alle andere messen op de zaagketting.
- Beweeg de vijl zoals aangegeven in de afbeelding.

- De vijl kan gemakkelijker worden bewogen als een vijlhouder (accessoire) wordt gebruikt. Op de vijlhouder staan merktekens voor de juiste slijphoek van 30° (lijn de merktekens parallel uit met de zaagketting) en beperkt de diepte waartoe de vijl doordringt (tot 4/5 van de vijldiameter).

Beweeg de vijl zoals aangegeven in de afbeelding. (Fig. 22)

- Nadat de zaagketting is geslepen, controleert u de hoogte van de dieptemeter met behulp van het kettिंगmeetgereedschap (optioneel accessoire).
- Verwijder eventueel uitstekend materiaal, ongeacht hoe klein, met een speciale platte vijl (optioneel accessoire).
- Maak de voorkant van de dieptevoeler weer rond.
- Spoel vuil- en stofdeeltjes van de zaagketting af na het instellen van de hoogte van de dieptemeter.

Reinigen van het zaagblad (Fig. 23)

Schilfertjes en zaagsel zullen in de groef van het zaagblad blijven zitten, zodat de groef verstopt raakt en de oliestroom wordt belemmerd. Verwijder altijd schilfertjes en zaagsel uit de groef wanneer u de zaagketting aanscherpt of vervangt.

Het oliefilter in de olieuitstroomopening schoonmaken

Kleine vuil- of stofdeeltjes kunnen zich tijdens gebruik ophopen in het oliefilter ter plaatse van de olieuitstroomopening.

Kleine vuil- of stofdeeltjes die zich in het oliefilter hebben verzameld kunnen het uitstromen van de olie belemmeren waardoor de hele kettingzaag onvoldoende wordt gesmeerd.

Wanneer onvoldoende toevoer van kettingolie optreedt aan het uiteinde van het kettingblad, maakt u het filter als volgt schoon.

Verwijder de accu van het gereedschap.

Verwijder de afdekking van het kettingwiel en de zaagketting van het gereedschap. (Raadpleeg het gedeelte getiteld "Aanbrengen of verwijderen van de zaagketting".) Verwijder de drukkop met behulp van een platkopschroevendraaier met een dunne steel of iets dergelijks. (Fig. 24)

Haal het oliefilter uit de kettingzaag en verwijder kleine vuil- en stofdeeltjes eruit. Als het oliefilter te vuil is, vervangt u deze door een nieuwe. (Fig. 25)

Steek de accu in het gereedschap.

Knijp de aan/uit-schakelaar in om opgehoopte vuil- en stofdeeltjes uit de olieuitstroomopening te persen door kettingolie te doen stromen. (Fig. 26)

Verwijder de accu van het gereedschap.

Plaats het schoongemaakte oliefilter in de olieuitstroomopening. Als het oliefilter te vuil is, vervangt u deze door een nieuwe. (Fig. 27)

Plaats de drukkop met de juiste kant naar boven gericht, zoals aangegeven in de afbeelding, terug in de olieuitstroomopening om het oliefilter vast te zetten. Als een nieuw oliefilter niet kan worden vastgezet doordat de drukkop vervormd is, vervangt u de drukkop door een nieuwe. (Fig. 28)

Monteer de afdekking van het kettingwiel en de zaagketting weer op het gereedschap.

Het kettingwiel vervangen (Fig. 29 en 30)

Controleer de conditie van het kettingwiel voordat u een nieuwe zaagketting monteert.

LET OP:

- Een versleten kettingwiel beschadigt de nieuw zaagketting. Vervang in dat geval eerst het kettingwiel. Het kettingwiel moet worden gemonteerd in de richting aangegeven in de afbeelding.

Monteer bij het vervangen van het kettingwiel altijd een nieuwe borgring.

Vervangen van de koolborstels (Fig. 31 en 32)

Verwijder en controleer regelmatig de koolborstels. Vervang de koolborstels wanneer ze tot aan de limietmarkering versleten zijn. Houd de koolborstels schoon zodat ze goed in de houders glijden. Beide koolborstels dienen tegelijkertijd te worden vervangen. Gebruik uitsluitend identieke koolborstels.

Gebruik een schroevendraaier om de doppen van de koolborstelhouders te verwijderen. Haal de versleten borstels eruit, steek de nieuwe erin, en zet de doppen weer goed vast.

Het gereedschap bewaren

Reinig het gereedschap voordat u het opbergt. Haal de afdekking van het kettingwiel eraf en verwijder zaagsel en houtsnippers vanaf het gereedschap. Laat na het schoonmaken het gereedschap onbelast draaien om de zaagketting en het zaagblad te smeren.

Plaats de schede om het zaagblad.

Verwijder de olie uit de olietank zodat deze leeg is en leg de kettingzaag weg met de dop van de olietank omhoog gericht.

Om de VEILIGHEID en BETROUWBAARHEID van het gereedschap te handhaven, dienen alle reparaties, onderhoud of afstellingen te worden uitgevoerd door een erkend Makita servicecentrum, en dit uitsluitend met gebruikmaking van originele Makita vervangingsonderdelen.

Instructies voor periodiek onderhoud

Voor een lange schadevrije gebruiksduur en een doeltreffende werking van de veiligheidsvoorzieningen moet u regelmatig het volgende onderhoud verrichten.

Schadeclaims onder garantie kunnen alleen worden erkend als dit onderhoudswerk regelmatig en correct wordt uitgevoerd. Als dit voorgeschreven onderhoud achterwege blijft, kan dat ongelukken veroorzaken!

De gebruiker van de kettingzaag mag echter geen onderhoud verrichten dat niet staat beschreven in de gebruiksaanwijzing. Zulke werkzaamheden moeten worden uitgevoerd door een erkende onderhoudsdienst.

Werkingsduur Onderdeel		Vóór het gebruik	Elke dag	Elke week	Elke 3 maanden	Jaarlijks	Vóór opslag
Kettingzaag	Inspecteren.	<input type="radio"/>					
	Reinigen.		<input type="radio"/>				
	Laten controleren bij een erkende onderhoudsdienst.					<input type="radio"/>	<input type="radio"/>
Zaagketting	Inspecteren.	<input type="radio"/>					
	Bijlijpen indien nodig.						<input type="radio"/>
Zaagblad	Inspecteren.	<input type="radio"/>	<input type="radio"/>				
	Verwijderen van de kettingzaag.						<input type="radio"/>
Kettingsmering	Controleer de olietoevoersnelheid.	<input type="radio"/>					
Trekverschakelaar	Inspecteren.	<input type="radio"/>					
Uitstand-borgknop	Inspecteren.	<input type="radio"/>					
Dop van oliereservoir	Controleer op vastzitten.	<input type="radio"/>					
Kettingvanger	Inspecteren.			<input type="radio"/>			
Schroeven en moeren	Inspecteren.			<input type="radio"/>			

014813

STORINGEN VERHELPEN

Voordat u om reparatie verzoekt, kunt u eerst uw eigen inspectie uitvoeren. Als u een probleem aantreft dat niet staat beschreven in de gebruiksaanwijzing, probeer dan niet het apparaat te demonteren. Verzoek in dat geval een erkend Makita servicecentrum om reparatie, altijd met gebruik van originele Makita vervangingsonderdelen.

Symptoom of storing	Oorzaak	Ingreep
De kettingzaag start niet.	Er is geen accu geplaatst.	Plaats een opgeladen accu.
	Probleem met de accu (onvoldoende spanning).	Laad de accu op. Als het opladen geen verbetering brengt, vervangt u de accu door een nieuwe.
De motor slaat al na korte tijd af.	De accu is bijna helemaal ontladen.	Laad de accu op. Als het opladen geen verbetering brengt, vervangt u de accu door een nieuwe.
Geen olie op de ketting.	Het oliereservoir is leeg.	Vul het oliereservoir.
	De oliegeleidegroef is vuil.	Maak de groef schoon.
	Slecht werkende oliepomp.	Verzoek uw plaatselijke erkende onderhoudsdienst om reparatie.
Het maximumtoerental wordt niet bereikt.	De accu is niet naar behoren aangebracht.	Installeer de accu zoals beschreven in deze gebruiksaanwijzing.
	De accu is bijna helemaal ontladen.	Laad de accu op. Als het opladen geen verbetering brengt, vervangt u de accu door een nieuwe.
	Het aandrijfsysteem werkt niet goed.	Verzoek uw plaatselijke erkende onderhoudsdienst om reparatie.
De ketting stopt niet: Stop het apparaat onmiddellijk!	Defecte schakelaar.	Verzoek uw plaatselijke erkende onderhoudsdienst om reparatie.
Abnormale trillingen: Stop het apparaat onmiddellijk!	Losgeraakt zaagblad of zaagketting.	Verstel het zaagblad en de spanning van de zaagketting.
	Defect werktuig.	Verzoek uw plaatselijke erkende onderhoudsdienst om reparatie.

014814

OPTIONELE ACCESSOIRES

ENG905-1

⚠ LET OP:

- Deze accessoires of hulpstukken worden aanbevolen voor gebruik met het Makita gereedschap dat in deze gebruiksaanwijzing is beschreven. Bij gebruik van andere accessoires of hulpstukken bestaat er gevaar voor persoonlijke verwonding. Gebruik de accessoires of hulpstukken uitsluitend voor hun bestemde doel.

Raadpleeg het dichtstbijzijnde Makita servicecentrum voor verder advies of bijzonderheden omtrent deze accessoires.

- Diverse types originele Makita accu's en acculaders
- Zaagketting
- Kettingbeschermer
- Compleet zaagblad
- Vijl

OPMERKING:

- Sommige van de onderdelen in deze lijst kunnen bijgeleverd zijn als standaard-accessoires. Deze accessoires kunnen per land verschillend zijn.

Geluidsniveau

De typisch, A-gewogen geluidsniveaus vastgesteld volgens EN60745:

Model DUC122

Geluidsdrukniveau (L_{pA}): 84,6 dB (A)

Geluidsvermogeniveau (L_{WA}): 92,7 dB (A)

Onnauwkeurigheid (K): 2 dB (A)

Draag oorbeschermers

ENG900-1

Trilling

De totaalwaarde van de trillingen (triaxiale vectorsom) vastgesteld volgens EN60745:

Model DUC122

Gebruikstoepassing: zagen in hout

Trillingsemisatie (a_{rh}): 4,3 m/s²

Onnauwkeurigheid (K): 1,5 m/s²

- De opgegeven trillingsemissiewaarde is gemeten volgens de standaardtestmethode en kan worden gebruikt om dit gereedschap te vergelijken met andere gereedschappen.
- De opgegeven trillingsemissiewaarde kan ook worden gebruikt voor een beoordeling vooraf van de blootstelling.

⚠ WAARSCHUWING:

- De trillingsemissie tijdens het gebruik van het elektrisch gereedschap in de praktijk kan verschillen van de opgegeven trillingsemissiewaarde afhankelijk van de manier waarop het gereedschap wordt gebruikt.
- Zorg ervoor dat veiligheidsmaatregelen worden getroffen ter bescherming van de operator die zijn gebaseerd op een schatting van de blootstelling onder praktijkomstandigheden (rekening houdend met alle fasen van de bedrijfscyclus, zoals de tijdsduur gedurende welke het gereedschap is uitgeschakeld en stationair draait, naast de ingeschakelde tijdsduur).

ENH030-5

Alleen voor Europese landen

EU-Verklaring van Conformiteit

Makita verklaart hierbij dat de volgende machine(s):

Aanduiding van de machine:

Accu-kettingzaag

Modelnr./Type: DUC122

Technische gegevens: zie de tabel "TECHNISCHE GEGEVENS".

Voldoet aan de volgende Europese Richtlijnen:

2000/14/EU, 2006/42/EU

Ze zijn gefabriceerd in overeenstemming met de volgende norm of genormaliseerde documenten:

EN ISO 11681-2

Verklaringsnr. van EU-typeonderzoek 4814056.14009

Het EU-typeonderzoek volgens 2006/42/EU werd uitgevoerd door:

DEKRA Testing and Certification GmbH

Enderstraße 92b

01277 Dresden

Duitsland

Identificatienr. 2140

Het technisch documentatiebestand volgens 2006/42/EU is verkrijgbaar in:

Makita, Jan-Baptist Vinkstraat 2, 3070, België

De conformiteitsbeoordelingsprocedure vereist door Richtlijn 2000/14/EU was in Overeenstemming met annex V.

Gemeten geluidsvermogeniveau: 93 dB (A)

Gegarandeerd geluidsvermogeniveau: 95 dB (A)

23.9.2014



Yasushi Fukaya

Directeur

Makita, Jan-Baptist Vinkstraat 2, 3070, België

Explicación de los dibujos

1 Indicador rojo	12 Resorte	22 Tuerca de empuje
2 Botón	13 Piñón	23 Destornillador de punta ranurada
3 Cartucho de batería	14 Gancho	24 Filtro
4 Marca de estrella	15 Agujero	25 Anillo de bloqueo
5 Botón de seguro	16 Tapón del depósito de aceite	26 Arandela
6 Gatillo interruptor	17 Ventanilla de inspección del aceite	27 Marca límite
7 Cubierta del piñón	18 Abertura del depósito de aceite	28 Tapón portaescobillas
8 Perilla	19 Guía de la punta	29 Destornillador
9 Cuchilla	20 Guía inferior	
10 Placa de guía	21 Funda (cubierta de la cadena)	
11 Flecha		

ESPECIFICACIONES

Modelo		DUC121	DUC122
Placa de guía estándar	Longitud de la placa de guía	115 mm	
	Longitud de corte	11,5 cm	
	Tipo	Placa de tallar	
Cadena de sierra estándar	Tipo	25 AP	
	Paso	6,35 mm (1/4")	
	Medido	1,3 mm (0,05")	
	N.º de eslabones de arrastre	42	
Piñón	Número de dientes	9	
	Paso	6,35 mm (1/4")	
Longitud total		422 mm	
Peso neto		2,5 kg	2,6 kg
Velocidad de la cadena por minuto (min ⁻¹)		4,8 m/s (290 m/min)	5,0 m/s (300 m/min)
Volumen del depósito de aceite de la cadena		80 cm ³	
Tensión nominal		CC 14,4 V	CC 18 V

GEB119-1

• Debido a un programa continuo de investigación y desarrollo, las especificaciones aquí dadas están sujetas a cambios sin previo aviso.

• Las especificaciones y el cartucho de batería pueden diferir de país a país.

• Peso, con el cartucho de batería, de acuerdo con el procedimiento EPTA 01/2003

ADVERTENCIA: Utilice la combinación apropiada de placa de guía y cadena de sierra. De lo contrario podrá resultar en heridas personales.

ENE090-1

Uso previsto

Esta herramienta ha sido prevista para cortar ramas / podar árboles. También es apropiada para el mantenimiento de los árboles.

GEA010-1

Advertencias de seguridad generales para herramientas eléctricas

⚠ ¡ADVERTENCIA! Lea todas las advertencias de seguridad y todas las instrucciones. Si no sigue todas las advertencias e instrucciones podrá ocasionar una descarga eléctrica, un incendio y/o heridas graves.

Guarde todas las advertencias e instrucciones para futuras referencias.

ADVERTENCIAS DE SEGURIDAD PARA LA ELECTROSIERRA INALÁMBRICA:

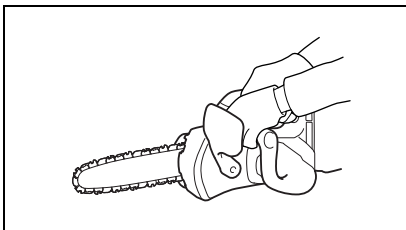
1. **Mantenga todas las partes del cuerpo alejadas de la cadena de la sierra cuando esté siendo utilizada la sierra de cadena. Antes de poner en marcha la sierra de cadena, asegúrese de que la cadena de la sierra no está en contacto con nada.** Un momento de desatención mientras se están utilizando sierras de cadena puede dar lugar a que la cadena de la sierra se enrede en sus ropas o cuerpo.
2. **Cuando sujete la sierra de cadena con ambas manos, sujétela siempre con la mano derecha en el asidero trasero y la mano izquierda en el asidero delantero.** Si sujeta la sierra de cadena con las manos al contrario aumentará el riesgo de producirse heridas personales y por ello nunca deberá hacerse.

3. **Sujete la herramienta eléctrica por las superficies de asimiento aisladas solamente, porque la cadena de sierra puede entrar en contacto con cableado oculto.** El contacto de la cadena de sierra con un cable con corriente hará que la corriente circule por las partes metálicas expuestas de la herramienta eléctrica y podrá soltar una descarga eléctrica al operario.
4. **Póngase gafas de seguridad y protección para los oídos. También es recomendable utilizar equipo protector para la cabeza, las manos, las piernas y los pies.** La ropa de protección adecuada reducirá las heridas personales debidas a los restos que salen despedidos o al contacto accidental con la cadena de la sierra.
5. **Mantenga siempre los pies sobre suelo firme.** Las superficies resbaladizas o inestables pueden ocasionar una pérdida del equilibrio o del control de la sierra de cadena.
6. **Cuando corte una rama que esté bajo tensión, manténgase alerta por si retrocede de repente.** Cuando se libera la tensión en las fibras de madera la rama bajo tensión puede golpear al operario y/o descontrolar la sierra de cadena.
7. **Extreme las precauciones cuando corte maleza y árboles jóvenes.** El material delgado puede engancharse en la cadena de la sierra y producir un latigazo hacia usted o hacerle perder el equilibrio.
8. **Transporte la sierra de cadena agarrándola por la empuñadura delantera teniéndola apagada y alejada de su cuerpo. Cuando transporte o almacene la sierra de cadena, coloque siempre la cubierta de la placa de guía.** Un manejo correcto de la sierra de cadena reducirá la posibilidad de un contacto accidental con la cadena de la sierra.
9. **Siga las instrucciones para lubricar, tensar la cadena y cambiar los accesorios.** Una cadena tensada o lubricada incorrectamente podrá romperse o aumentar la probabilidad de que se produzca un retroceso brusco.
10. **Mantenga las empuñaduras secas, limpias y libres de aceite y grasa.** Las empuñaduras grasientas o aceitosas son resbaladizas y pueden ocasionar la pérdida del control.
11. **Corte madera solamente. No utilice la sierra de cadena con fines para los que no ha sido prevista. Por ejemplo: No utilice la sierra de cadena para cortar plástico, mampostería ni materiales de construcción que no sean de madera.** La utilización de la sierra de cadena para operaciones distintas de las previstas podrá ponerle en una situación peligrosa.
12. **Causas y prevención de retrocesos bruscos:**
El retroceso brusco podrá ocurrir cuando el morro o la punta de la placa de guía toca un objeto, o cuando la madera se cierra y aprisiona la cadena de la sierra en la hendidura del corte.
El contacto de la punta puede ocasionar en algunos casos una reacción brusca hacia atrás, golpeando la placa de guía hacia arriba y hacia atrás en dirección del operario.
El aprisionamiento de la cadena de la sierra a lo largo de la parte superior de la placa de guía puede empujar la placa de guía rápidamente hacia atrás en dirección del operario.

Cualquiera de estas reacciones puede hacerle perder el control de la sierra y resultar en heridas personales de gravedad. No depende exclusivamente de los dispositivos de seguridad incorporados en la sierra. Como usuario de una sierra de cadena, deberá tomar varias medidas para mantener sus tareas de corte libres de accidentes o heridas.

Los retrocesos bruscos se deben a un mal uso de la herramienta y/o a procedimientos o condiciones de trabajo incorrectos y pueden evitarse tomando las precauciones indicadas a continuación:

- **Mantenga la sierra de cadena sujeta firme- mente, con los pulgares y los dedos rodeando las empuñaduras, con ambas manos en la sierra y posicionando su cuerpo y brazos de forma que resista las fuerzas del retroceso brusco.** El operario puede controlar las fuerzas del retroceso brusco tomando las precauciones apropiadas. No suelte la sierra de cadena.



014673

- **No corte donde no llegue ni a una altura superior a la de sus hombros.** Esto le ayudará a evitar que la punta toque algo sin querer y le permitirá controlar mejor la sierra de cadena en situaciones inesperadas.
 - **Utilice solamente placas y cadenas de repuesto especificadas por el fabricante.** Las barras y cadenas de repuesto incorrectas pueden ocasionar la rotura de la cadena y/o retrocesos bruscos.
 - **Siga las instrucciones de afilado y mantenimiento del fabricante para la cadena de la sierra.** La disminución de la altura del calibre de profundidad puede ocasionar un aumento de los retrocesos bruscos.
13. Antes de comenzar a trabajar, compruebe que la electrosierra está en perfecto estado de funcionamiento y que su condición cumple con las normas de seguridad. Compruebe especialmente que:
 - El freno de retención está funcionando debidamente;
 - La placa y la cubierta del piñón están colocadas correctamente;
 - La cadena ha sido afilada y tensada de acuerdo con las normas;
 14. **No ponga en marcha la electrosierra con la cubierta de la cadena instalada en ella.** Si pone en marcha la electrosierra con la cubierta de la cadena instalada en ella, la cubierta de la cadena podrá salir despedida hacia adelante resultando en heridas personales y daños a objetos alrededor del operario.

Advertencias de seguridad específicas para el asidero superior de la sierra de cadena

1. Esta sierra de cadena ha sido diseñada especialmente para el cuidado y poda de árboles. La sierra de cadena ha sido prevista para ser utilizada por personas debidamente capacitadas solamente. Observe las instrucciones, procedimientos y recomendaciones ofrecidas por la organización profesional relevante. De lo contrario podrán producirse accidentes fatales. Se recomienda utilizar siempre una plataforma elevadora (grúa alza hombres, elevador) para serrar en árboles. Las técnicas de rapel son muy peligrosas y requieren de una capacitación especial. Los operarios deben ser capacitados para familiarizarse con la utilización del equipo de seguridad y las técnicas de escalada. Utilice siempre las correas, cuerdas y mosquetones apropiados cuando trabaje en los árboles. Utilice siempre equipo de restricción tanto para el operario como para la sierra.
2. Realice la limpieza y el mantenimiento antes de almacenar la sierra de acuerdo con el manual de instrucciones.
3. Cerciórese de poner la sierra de cadena en una posición segura durante el transporte en automóvil para evitar fugas de combustible o de aceite de la cadena, daños a la herramienta y heridas personales.
4. No llene aceite de la cadena cerca de fuego. No fume nunca cuando llene aceite de la cadena.
5. Es posible que reglamentos nacionales restrinjan el uso de la sierra de cadena.
6. Si el equipo recibe un impacto fuerte o se cae, compruebe su condición antes de continuar trabajando. Compruebe los controles y dispositivos de seguridad por si hay mal funcionamiento. Si hay algún daño o tiene alguna duda, pida a nuestro centro de servicio autorizado que se lo inspeccionen y reparen.
7. Sujete la sierra firmemente en su sitio para evitar patinazos (movimiento de patinaje) o rebotes de la sierra cuando comience un corte.
8. Al final del corte, tenga cuidado de mantener su equilibrio al producirse la "caída".
9. Tenga en cuenta la dirección y velocidad del viento. Evite el serrín y el vaho del aceite de la cadena.

Equipo de protección

1. **Para evitar heridas en la cabeza, los ojos, las manos o pies, así como para proteger los oídos deberá usar el equipo de protección siguiente durante la utilización de la sierra de cadena.**
 - El tipo de ropa deberá ser apropiado, es decir, deberá ser ceñido, pero sin causar estorbo. No se ponga joyas ni ropa que pueda engancharse con arbustos o matojos. Si tiene cabello largo, ¡póngase siempre una redecilla para el pelo.
 - Es necesario ponerse un casco de protección siempre que trabaje con la sierra de cadena. El **casco de protección** debe ser inspeccionado a intervalos regulares para ver si está dañado y hay que sustituirlo a los 5 años como máximo. Utilice solamente cascos de protección homologados.

- La **pantalla facial** del casco de protección (o las gafas de seguridad) protegen contra el serrín y las virutas de madera. Durante la utilización de la sierra de cadena póngase siempre gafas de seguridad o pantalla facial para evitar heridas en los ojos.
- Póngase **equipo de protección para el ruido** adecuado (orejeras, tapones de oídos, etc.)
- La **chaqueta de protección** consiste de 22 capas de nilón y protege al operario contra los cortes. Se debe poner siempre que se trabaje desde plataformas elevadas (grúas alza hombres, elevadores), desde plataformas montadas en escaleras o cuando se escale con cuerdas.
- Los **pantalones con peto de protección** están hechos de una tela de nilón con 22 capas y protegen contra los cortes. Le recomendamos encarecidamente que los utilice.
- Los **guantes de protección** hechos de cuero grueso son parte del equipo prescrito y se deben poner siempre durante la utilización de la sierra de cadena.
- Durante la utilización de la sierra de cadena se deberá poner siempre **zapatos de seguridad o botas de seguridad** equipados con suela antideslizante, puntera de acero y protección para las piernas. Los zapatos de seguridad equipados con una capa de protección ofrecen protección contra los cortes y aseguran buena estabilidad para los pies. Para trabajar en árboles las botas de seguridad deberán ser apropiadas para técnicas de escalada.

Vibración

1. Los individuos con mala circulación sanguínea que se expongan a una vibración excesiva podrán sufrir heridas en los vasos sanguíneos o el sistema nervioso.

La vibración puede causar la aparición de los síntomas siguientes en los dedos, manos y muñecas: "Quedarse dormidos" (entumecimiento), hormigueo, dolor, sensación de pinchazo, alteración del color de la piel o de la piel.

Si siente cualquiera de estos síntomas, ¡consulte con un médico! Para reducir el riesgo de la "enfermedad de dedos blancos", mantenga sus manos calientes durante la utilización y mantenga en buen estado el equipo y los accesorios.

GUARDE ESTAS INSTRUCCIONES.

⚠ ADVERTENCIA:

NO deje que la comodidad o familiaridad con el producto (a base de utilizarlo repetidamente) sustituya la estricta observancia de las normas de seguridad para el producto en cuestión. El **MAL USO** o el **no seguir las normas de seguridad establecidas en este manual de instrucciones** podrá ocasionar graves heridas personales.

INSTRUCCIONES DE SEGURIDAD IMPORTANTES

PARA EL CARTUCHO DE BATERÍA

1. Antes de utilizar el cartucho de batería, lea todas las instrucciones e indicaciones de precaución sobre (1) el cargador de baterías, (2) la batería, y (3) el producto con el que se utiliza la batería.
2. No desarme el cartucho de batería.
3. Si el tiempo de uso del cartucho de batería se acorta demasiado, deje de usarlo inmediatamente. Podría resultar en un riesgo de recalentamiento, posibles quemaduras e incluso una explosión.
4. Si entra electrolito en sus ojos, aclárelos con agua limpia y vea a un médico inmediatamente. Existe el riesgo de poder perder la vista.
5. No cortocircuite el cartucho de batería:
 - (1) No toque los terminales con ningún material conductor.
 - (2) Evite guardar el cartucho de batería en un cajón junto con otros objetos metálicos, tales como clavos, monedas, etc.
 - (3) No exponga el cartucho de batería al agua ni a la lluvia.

Un cortocircuito en la batería puede producir una gran circulación de corriente, un recalentamiento, posibles quemaduras e incluso una rotura de la misma.
6. No guarde la herramienta ni el cartucho de batería en lugares donde la temperatura pueda alcanzar o exceder los 50°C.
7. Nunca incinere el cartucho de batería incluso en el caso de que esté dañado seriamente o ya no sirva en absoluto. El cartucho de batería puede explotar si se tira al fuego.
8. Tenga cuidado de no dejar caer ni golpear el cartucho de batería.
9. No utilice una batería dañada.
10. Siga los reglamentos locales referentes al desecho de la batería.

GUARDE ESTAS INSTRUCCIONES.

Consejos para alargar al máximo la vida de servicio de la batería

1. Cargue el cartucho de batería antes de que se descargue completamente. Pare siempre la operación y cargue el cartucho de batería cuando note menos potencia en la herramienta.
2. No cargue nunca un cartucho de batería que esté completamente cargado. La sobrecarga acortará la vida de servicio de la batería.
3. Cargue el cartucho de batería a temperatura ambiente de 10°C – 40°C. Si un cartucho de batería está caliente, déjelo enfriar antes de cargarlo.
4. Cargue el cartucho de batería una vez cada seis meses si no lo utiliza durante un periodo de tiempo prolongado.

DESCRIPCIÓN DEL FUNCIONAMIENTO

⚠ PRECAUCIÓN:

- Asegúrese siempre de que la herramienta esté apagada y el cartucho de batería extraído antes de realizar cualquier ajuste o comprobación en la herramienta.

Instalación o desmontaje del cartucho de batería (Fig. 1)

- Apague siempre la herramienta antes de instalar o extraer el cartucho de batería.
- Sujete la herramienta y el cartucho de batería firmemente cuando instale o extraiga el cartucho de batería.

Si no sujeta la herramienta y el cartucho de batería firmemente podrán caérsele de las manos y resultar en daños a la herramienta y cartucho de batería y heridas personales.

Para extraer el cartucho de batería, deslícelo de la herramienta a la vez que desliza el botón de la parte frontal del cartucho.

Para instalar el cartucho de batería, alinee la lengüeta del cartucho de batería con la ranura de la carcasa y deslícelo hasta que encaje en su sitio. Insértelo a tope hasta que se bloquee en su sitio produciendo un pequeño chasquido. Si puede ver el indicador rojo en el lado superior del botón, no estará bloqueado completamente.

⚠ PRECAUCIÓN:

- Instale siempre el cartucho de batería completamente hasta que no pueda verse el indicador rojo. En caso contrario, podrá caerse accidentalmente de la herramienta y ocasionarle heridas a usted o a alguien que esté cerca de usted.
- No instale el cartucho de batería empleando fuerza. Si el cartucho no se desliza al interior fácilmente, será porque no está siendo insertado correctamente.

Sistema de protección de la batería (Batería de litio-ión con marca de estrella) (Fig. 2)

Las baterías de litio-ión con marca de estrella están equipadas con un sistema de protección. Este sistema corta automáticamente la alimentación de la herramienta para alargar la vida útil de la batería.

La herramienta se detendrá automáticamente durante la operación si la herramienta y/o la batería son puestas en una de las condiciones siguientes:

- Sobrecargada:

La herramienta es utilizada de una manera que da lugar a que tenga que absorber una corriente anormalmente alta.

En esta situación, suelte el gatillo interruptor de la herramienta y detenga la tarea que ocasiona la sobrecarga de la herramienta. Después apriete el gatillo interruptor otra vez para volver a ponerla en marcha.

Si la herramienta no se pone en marcha, la batería estará recalentada. En esta situación, deje que la batería se enfríe antes de apretar el gatillo interruptor otra vez.
- Tensión baja en la batería:

La capacidad de batería restante es muy baja y la herramienta no funcionará. En esta situación, extraiga la batería y vuelva a cargarla.

Accionamiento del interruptor (Fig. 3)

PRECAUCIÓN:

- Antes de insertar el cartucho de batería en la herramienta, compruebe siempre para ver si el gatillo interruptor se acciona correctamente y regresa a la posición de desconexión "OFF" cuando se libera.

Para evitar que el gatillo interruptor sea apretado accidentalmente se ha provisto un botón de seguro.

Para poner en marcha la herramienta, meta el botón de seguro y apriete el gatillo interruptor. Para parar la herramienta suelte el gatillo interruptor.

MONTAJE

PRECAUCIÓN:

- Asegúrese siempre de que la herramienta esté apagada y el cartucho de batería extraído antes de realizar cualquier trabajo en la herramienta.

Instalación o extracción de la cadena de la sierra

PRECAUCIÓN:

- Asegúrese siempre de que la herramienta esté apagada y que el cartucho de batería haya sido retirado antes de instalar o extraer la cadena de la sierra.
- Póngase siempre guantes cuando vaya a instalar o extraer la cadena de la sierra.
- Utilice solamente la cadena de sierra y placa de guía con punta de placa diseñadas para esta sierra de cadena (consulte el Extracto de la lista de piezas de repuesto).
- Para evitar un retroceso brusco, no quite la punta de placa ni reemplace la placa de guía con una sin punta de placa.

Afloje el tornillo girando la perilla hacia la izquierda hasta que la cubierta del piñón se suelte. (Fig. 4)

Quite la cubierta del piñón.

Quite la cadena de sierra y la placa de guía de la herramienta.

Encaje un extremo de la cadena de sierra en la parte superior de la placa de guía. Ahora, encaje la cadena de sierra como se muestra en la figura porque gira en dirección de la flecha. (Fig. 5)

Coloque la cadena de sierra de forma que el resorte quede dentro de ella y encaje el otro extremo de la cadena de sierra alrededor del piñón como se muestra en la figura. (Fig. 6)

A la vez que gira la placa de guía hacia la izquierda, instálela de forma que el extremo de la placa de guía haga contacto con el resorte. (Fig. 7)

Inserte el gancho de la cubierta del piñón en el agujero de la herramienta y después ponga la cubierta del piñón en la herramienta. (Fig. 8)

Gire la perilla hacia la derecha para apretar el tornillo firmemente. (Fig. 9)

Ajuste de la tensión de la cadena de sierra (Fig. 10 y 11)

Apenas un ligero aflojamiento del tornillo permite ajustar la tensión de la cadena de sierra. Después de ajustar, vuelva a apretar el tornillo firmemente.

PRECAUCIÓN:

- Durante algún tiempo después de instalar una cadena de sierra nueva, ésta tiende a aflojarse. Compruebe de vez en cuando la tensión de la cadena de sierra antes de utilizarla.

- Una tensión insuficiente podrá hacer que la cadena de sierra se salga de su sitio.
- La instalación o extracción de la cadena de sierra deberá hacerse en un lugar limpio libre de serrín y sustancias similares.

Parachoques de espica (accesorio opcional) (Fig. 12)

Para instalar el parachoques de espica, realice los pasos siguientes:

1. Quite la cubierta del piñón, cadena de sierra y placa de guía como se describe en este manual de instrucciones.
2. Encaje los agujeros del parachoques de espica junto con los agujeros de la sierra de cadena.
3. Apriételos firmemente con tornillos.

OPERACIÓN

Lubricación (Fig. 13)

La cadena de sierra se lubrica automáticamente cuando la herramienta está funcionando.

Compruebe la cantidad restante de aceite en el depósito de aceite a través de la ventanilla de inspección del aceite.

Para rellenar el depósito, quite el tapón de la abertura del depósito de aceite.

Después de rellenar el depósito, rosque siempre el tapón del depósito de aceite en la sierra de cadena.

PRECAUCIÓN:

- Cuando llene la sierra de cadena con aceite de cadena por primera vez, o rellene el depósito después de haberse vaciado completamente, añada aceite hasta el borde inferior de la boca de llenado. De lo contrario el suministro de aceite podrá verse afectado.
- Como aceite de cadena de sierra, utilice aceite exclusivamente para sierras de cadena Makita o aceite disponible en el comercio.
- No utilice nunca aceite que contenga polvo y partículas o aceite volátil.
- Cuando pade árboles, utilice aceite botánico. El aceite mineral puede dañar los árboles.
- No fuerce nunca la sierra de cadena cuando pade árboles.
- Antes de ponerse a cortar, asegúrese de que el tapón de depósito de aceite suministrado está roscado en la boca de llenado.

Sujete la sierra de cadena alejado del árbol. Arránquela y espere hasta que la lubricación de la cadena de sierra sea apropiada.

Ponga la guía de la punta/guía inferior en contacto con la rama que quiere cortar antes de poner en marcha. Si corta sin poner la guía de la punta/guía inferior en contacto con la rama, la placa de guía podrá bambolear, resultando en heridas al operario.

Sierre la madera que quiere cortar simplemente moviéndola hacia abajo.

Podado de árboles

⚠ PRECAUCIÓN:

- Mantenga todas las partes del cuerpo alejadas de la cadena cuando el motor esté en marcha.
- Sujete la sierra firmemente con ambas manos cuando el motor esté en marcha.
- No se acerque demasiado. Pise siempre sobre suelo firme y mantenga un buen equilibrio.

Ponga la guía de la punta/guía inferior en contacto con la rama que quiere cortar antes de poner en marcha. Si corta sin poner la guía de la punta/guía inferior en contacto con la rama, la placa de guía podrá bambolear, resultando en heridas al operario. (Fig. 14 y 15)

Cuando vaya a cortar ramas gruesas, haga un ligero corte por debajo y luego realice el corte final por arriba. (Fig. 16)

Si intenta cortar ramas gruesas por abajo, la presión de la rama podrá oprimir la cadena. Si intenta cortar ramas gruesas por arriba sin haber hecho antes un ligero corte por debajo, la rama se astillará. (Fig. 17)

Si no puede cortar de una sola pasada un trozo de madera:

Aplique una ligera presión sobre la empuñadura, continúe serrando y desplace la sierra un poco hacia atrás; luego ponga los dientes un poco más abajo y termine el corte elevando la empuñadura. (Fig. 18)

Para transportar la herramienta (Fig. 19)

Retire siempre el cartucho de batería de la herramienta y cubra la placa de guía con la funda antes de transportar la herramienta. Tape también el cartucho de batería con la tapa de batería.

MANTENIMIENTO

⚠ PRECAUCIÓN:

- Asegúrese siempre de que la herramienta esté apagada y el cartucho de batería extraído antes de intentar realizar una inspección o mantenimiento.
- Póngase guantes siempre que vaya a realizar cualquier trabajo de inspección o mantenimiento.
- No utilice nunca gasolina, bencina, disolvente, alcohol o similares. Podría producir descolocación, deformación o grietas.

Afilado de la cadena de sierra

⚠ PRECAUCIÓN:

- Extraiga siempre el cartucho de batería y póngase guantes de seguridad cuando vaya a realizar tareas en la cadena de sierra.

Afile la cadena de sierra cuando:

- Se produzca serrín granuloso al cortar madera húmeda;
- La cadena penetre la madera con dificultad, aún cuando se aplica fuerte presión;
- El borde cortante esté obviamente dañado;
- La sierra tire hacia la izquierda o hacia la derecha en la madera. La razón de este comportamiento es un afilado desigual de la cadena de sierra, o daño en un solo lado. (Fig. 20)

Afile la cadena de sierra con frecuencia, pero rebaje solamente una mínima cantidad de material cada vez.

Dos o tres pasadas con una lima son generalmente suficientes para un reafilado rutinario. Cuando la cadena de sierra haya sido reafilada varias veces, llévela a un taller de reparación de MAKITA para que la afile un especialista.

Lima y guía de limado (Fig. 21)

- Utilice una lima redonda especial (accesorio opcional) para cadenas de sierra, con un diámetro de 4 mm, para afilar la cadena. Las limas redondas normales no son apropiadas.
- La lima solamente deberá tocar el material en el movimiento de avance. Levante la lima del material en el movimiento de retroceso.
- Afile primero la cuchilla más corta. La longitud de esta cuchilla es entonces la dimensión del calibre para todas las demás cuchillas de la cadena de sierra.
- Guíe la lima como se muestra en la figura.
- La lima podrá ser guiada más fácilmente si se emplea un soporte de lima (accesorio). El soporte de lima tiene marcas para el ángulo de afilado correcto de 30° (alinee las marcas paralelas a la cadena de sierra) y limita la profundidad de penetración (a 4/5 del diámetro de la lima).

Guíe la lima como se muestra en la figura. (Fig. 22)

- Una vez afilada la cadena, compruebe la altura del calibre de profundidad utilizando la herramienta de calibre de cadena (accesorio opcional).
- Quite cualquier material que sobresalga, por pequeño que sea, con una lima plana especial (accesorio opcional).
- Redondee la parte frontal del calibre de profundidad otra vez.
- Limpie el polvo y las partículas de la cadena de sierra después de ajustar la altura del calibre de profundidad.

Limpieza de la placa de guía (Fig. 23)

En la acanaladura de la placa de guía se acumularán virutas y serrín, obstruyéndola e impidiendo que fluya el aceite. Cuando afile o cambie la cadena, limpie siempre las virutas y el serrín.

Limpieza del filtro de aceite del agujero de descarga de aceite

Durante la operación puede acumularse polvo fino o partículas en el filtro de aceite del agujero de descarga de aceite.

El polvo fino o las partículas acumulados en el filtro de aceite pueden obstaculizar el flujo de descarga de aceite y ocasionar una lubricación insuficiente en toda la cadena de sierra.

Cuando se produzca un deficiente suministro de aceite de cadena en la parte superior de la placa de guía, limpie el filtro de la forma siguiente.

Quite el cartucho de batería de la herramienta.

Quite la cubierta del piñón y la cadena de sierra de la herramienta. (Consulte la sección titulada "Instalación o extracción de la cadena de la sierra".)

Quite la tuerca de empuje utilizando un destornillador de punta ranurada con cuerpo espigado o similar. (Fig. 24)

Extraiga el filtro de la sierra de cadena y quite el polvo fino o las partículas que contenga. Cuando el filtro esté muy sucio, reemplácelo con uno nuevo. (Fig. 25)

Inserte el cartucho de batería en la herramienta.

Apriete el gatillo interruptor para retirar el polvo o las partículas acumulados en el agujero de descarga de aceite descargando aceite de cadena. **(Fig. 26)**

Quite el cartucho de batería de la herramienta.

Inserte el filtro de aceite limpio en el agujero de descarga de aceite. Cuando el filtro esté muy sucio, reemplácelo con uno nuevo. **(Fig. 27)**

Inserte la tuerca de empuje con su lado correcto orientado hacia arriba como se muestra en la figura en el agujero de descarga de aceite para sujetar el filtro. Cuando la tuerca de empuje esté desfigurada y no pueda sujetar el filtro, reemplace la tuerca de empuje con una nueva. **(Fig. 28)**

Vuelva a instalar la cubierta del piñón y la cadena de sierra en la herramienta.

Reemplazo del piñón (Fig. 29 y 30)

Antes de colocar una cadena de sierra nueva, compruebe la condición del piñón.

⚠ PRECAUCIÓN:

- Un piñón desgastado dañará una cadena de sierra nueva. En este caso pida que le reemplacen el piñón. El piñón tiene que ser instalado de forma que siempre quede orientado como se muestra en la figura.

Coloque siempre un anillo de bloqueo nuevo cuando reemplace el piñón.

Reemplazo de las escobillas de carbón

(Fig. 31 y 32)

Extraiga e inspeccione las escobillas de carbón regularmente. Reemplácelas cuando se hayan desgastado hasta la marca límite. Mantenga las escobillas de carbón limpias de forma que entren libremente en los portaescobillas. Deberán reemplazarse ambas escobillas de carbón al mismo tiempo. Utilice únicamente escobillas de carbón idénticas.

Utilice un destornillador para quitar los tapones portaescobillas. Extraiga las escobillas desgastadas, inserte las nuevas y vuelva a colocar los tapones portaescobillas.

Almacenamiento de la herramienta

Limpie la herramienta antes de almacenarla. Quite todas las virutas y serrín de la herramienta después de quitar la cubierta del piñón. Después de limpiar la herramienta, póngala en marcha sin carga para lubricar la cadena de sierra y la placa de guía.

Cubra la placa de guía con la funda.

Extraiga el aceite del depósito de aceite hasta vaciarlo y ponga la sierra de cadena con el tapón del depósito orientado hacia arriba.

Para mantener la SEGURIDAD y FIABILIDAD del producto, las reparaciones, el mantenimiento y los ajustes deberán ser realizados por un centro de servicio autorizado de Makita, siempre con piezas de repuesto de Makita.

Instrucciones para el mantenimiento periódico

Para asegurar una larga vida de servicio, evitar daños y garantizar el completo funcionamiento de las características de seguridad el mantenimiento siguiente deberá ser realizado regularmente.

La reclamación de la garantía solamente será reconocida si este trabajo es realizado regular y debidamente. ¡No realizar el trabajo de mantenimiento prescrito puede acarrear accidentes!

El usuario de la sierra de cadena no deberá realizar trabajo de mantenimiento que no esté descrito en el manual de instrucciones. Todos esos trabajos deberán ser realizados por el centro de servicio autorizado.

Tiempo de funcionamiento			Antes de la operación	Cada día	Cada semana	Cada 3 meses	Anualmente	Antes del almacenamiento
Elemento								
Sierra de cadena	Inspección.	<input type="radio"/>						
	Limpieza.		<input type="radio"/>					
	Compruebe en el centro de servicio autorizado.					<input type="radio"/>	<input type="radio"/>	
Cadena de sierra	Inspección.	<input type="radio"/>						
	Es necesario afilar.							<input type="radio"/>
Placa de guía	Inspección.	<input type="radio"/>	<input type="radio"/>					
	Quítela de la sierra de cadena.							<input type="radio"/>
Lubricación de la cadena	Compruebe la frecuencia del suministro de aceite.	<input type="radio"/>						
Gatillo interruptor	Inspección.	<input type="radio"/>						
Botón de desbloqueo	Inspección.	<input type="radio"/>						
Tapón del depósito de aceite	Compruebe el apriete.	<input type="radio"/>						
Cubrecadena	Inspección.			<input type="radio"/>				
Tornillos y tuercas	Inspección.			<input type="radio"/>				

014813

SOLUCIÓN DE PROBLEMAS

Antes de solicitar reparaciones, realice su propia inspección en primer lugar. Si encuentra un problema que no está explicado en el manual, no intente desmontar la herramienta. En su lugar, pregunte en centros de servicio autorizados por Makita, utilizando siempre piezas de recambio Makita para las reparaciones.

Estado de mal funcionamiento	Causa	Acción
La sierra de cadena no se pone en marcha.	El cartucho de batería no está instalado.	Instale el cartucho de batería cargado.
	Problema de batería (poca tensión).	Recargue el cartucho de batería. Si la recarga no se realiza eficazmente, sustituya el cartucho de batería.
El motor se para después de usarlo un poco.	El nivel de carga de la batería es bajo.	Recargue el cartucho de batería. Si la recarga no se realiza eficazmente, sustituya el cartucho de batería.
No hay aceite en la cadena.	El depósito de aceite está vacío.	Llene el depósito de aceite.
	La ranura de guía del aceite está sucia.	Limpie la ranura.
	Mal funcionamiento de la bomba de aceite.	Pida a su centro de servicio autorizado que se lo reparen.
No alcanza el máximo de RPM.	El cartucho de batería está instalado incorrectamente.	Instale el cartucho de batería como se describe en este manual.
	El nivel de carga de la batería es bajo.	Recargue el cartucho de batería. Si la recarga no se realiza eficazmente, sustituya el cartucho de batería.
	El sistema de accionamiento no responde correctamente.	Pida a su centro de servicio autorizado que se lo reparen.
La cadena no se detiene: ¡Detenga la máquina inmediatamente!	Mal funcionamiento del interruptor.	Pida a su centro de servicio autorizado que se lo reparen.
Vibración anormal: ¡Detenga la máquina inmediatamente!	Placa de guía o cadena de sierra floja.	Ajuste la placa de guía y la tensión de la cadena de sierra.
	Mal funcionamiento de la herramienta.	Pida a su centro de servicio autorizado que se lo reparen.

014814

ACCESORIOS OPCIONALES

ENG905-1

PRECAUCIÓN:

- Estos accesorios o aditamentos están recomendados para su uso con la herramienta Makita especificada en este manual. El uso de cualquier otro accesorio o aditamento puede suponer un riesgo de lesiones personales. Utilice el accesorio o aditamento exclusivamente para su uso declarado.

Si necesita información más detallada sobre estos accesorios, consulte con su centro local de servicio de Makita.

- Diferentes tipos de baterías y cargadores genuinos de Makita
- Cadena de sierra
- Funda
- Placa de guía completa
- Lima

NOTA:

- Algunos elementos de la lista podrán estar incluidos en el paquete de la herramienta como accesorios estándar. Pueden variar de un país a otro.

Ruido

El nivel de ruido A-ponderado típico determinado de acuerdo con la norma EN60745:

Modelo DUC122

Nivel de presión sonora (L_{pA}): 84,6 dB (A)
 Nivel de potencia sonora (L_{WA}): 92,7 dB (A)
 Error (K): 2 dB (A)

Póngase protectores en los oídos

ENG900-1

Vibración

El valor total de la vibración (suma de vectores triaxiales) determinado de acuerdo con la norma EN60745:

Modelo DUC122

Modo de trabajo: corte de madera
 Emisión de vibración (a_h): 4,3 m/s²
 Error (K): 1,5 m/s²

- El valor de emisión de vibración declarado ha sido medido de acuerdo con el método de prueba estándar y se puede utilizar para comparar una herramienta con otra.
- El valor de emisión de vibración declarado también se puede utilizar en una valoración preliminar de exposición.

⚠ ADVERTENCIA:

- La emisión de vibración durante la utilización real de la herramienta eléctrica puede variar del valor de emisión declarado dependiendo de las formas en las que la herramienta sea utilizada.
- Asegúrese de identificar medidas de seguridad para proteger al operario que estén basadas en una estimación de la exposición en las condiciones reales de utilización (teniendo en cuenta todas las partes del ciclo operativo tal como las veces cuando la herramienta está apagada y cuando está funcionando en vacío además del tiempo de gatillo).

ENH030-5

Para países europeos solamente

Declaración de conformidad CE

Makita declara que la(s) máquina(s) siguiente(s):

Designación de máquina:

Electrosierra Inalámbrica

Modelo N°/Tipo: DUC122

Especificaciones: consulte la tabla de "ESPECIFICACIONES".

Cumplen con las directivas europeas siguientes:

2000/14/CE, 2006/42/CE

Están fabricadas de acuerdo con las normas o documentos normalizados siguientes:

EN ISO 11681-2

N.º de certificado del examen de tipo CE 4814056.14009

El examen de tipo CE según 2006/42/CE fue realizado por:

DEKRA Testing and Certification GmbH

Enderstraße 92b

01277 Dresden

Alemania

N.º de identificación 2140

El archivo técnico de acuerdo con la norma 2006/42/CE está disponible en:

Makita, Jan-Baptist Vinkstraat 2, 3070, Bélgica

El procedimiento de valoración de conformidad requerido por la Directiva 2000/14/CE ha sido realizado de acuerdo con el anexo V.

Nivel de potencia de sonido medido: 93 dB (A)

Nivel de potencia de sonido garantizado: 95 dB (A)

23.9.2014



Yasushi Fukaya

Director

Makita, Jan-Baptist Vinkstraat 2, 3070, Bélgica

Explicação geral

1	Indicador vermelho	11	Seta	21	Capa (Cobertura da corrente)
2	Botão	12	Mola	22	Porca de pressão
3	Bateria	13	Roda dentada	23	Chave de fenda
4	Marca de estrela	14	Gancho	24	Filtro
5	Botão de bloqueio	15	Orifício	25	Anel de trava
6	Gatilho do interruptor	16	Tampa do tanque de óleo	26	Arruela
7	Cobertura da roda dentada	17	Visor de inspeção do óleo	27	Marca limite
8	Botão	18	Boca do tanque de óleo	28	Tampa do porta escovas
9	Aresta de corte	19	Ponta-guia	29	Chave de parafusos
10	Espada	20	Espada inferior		

ESPECIFICAÇÕES

Modelo		DUC121	DUC122
Espada-guia padrão	Comprimento da espada-guia	115 mm	
	Comprimento de corte	11,5 cm	
	Tipo	Espada de talhar	
Serra padrão da ferramenta	Tipo	25 AP	
	Passo	6,35 mm (1/4")	
	Indicador	1,3 mm (0,05")	
	Número de elos motor	42	
Roda dentada	Número de dentes	9	
	Passo	6,35 mm (1/4")	
Comprimento total		422 mm	
Peso líquido		2,5 kg	2,6 kg
Velocidade da serra por minuto (min ⁻¹)		4,8 m/s (290 m/min)	5,0 m/s (300 m/min)
Volume do depósito de óleo da serra		80 cm ³	
Voltagem nominal		14,4 V CC	18 V CC

GEB119-1

- Devido a um programa contínuo de pesquisa e desenvolvimento, estas especificações podem ser alteradas sem aviso prévio.
 - As especificações e a bateria podem diferir de país para país.
 - Peso, com a bateria, de acordo com o Procedimento 01/2003 da EPTA (European Power Tool Association)
- AVISO: Utilize a combinação adequada da espada-guia e da serra da ferramenta. Caso contrário, podem resultar ferimentos pessoais.

ENE090-1

Utilização a que se destina

A ferramenta deve ser utilizada para cortar ramos/podar árvores. É igualmente adequada para os dar assistência a árvores.

GEA010-1

Avisos gerais de segurança para ferramentas eléctricas

⚠ AVISO! Leia todas os avisos de segurança e todas as instruções. O não cumprimento de todos os avisos e instruções pode originar choque eléctrico, incêndio e/ou ferimentos graves.

Guarde todos os avisos e instruções para futuras referências.

PRECAUÇÕES DE SEGURANÇA DA MOTOSSERRA A BATERIA:

1. **Mantenha todo o seu corpo afastado da corrente quando a electroserra estiver a funcionar. Antes de ligar a electroserra, certifique-se de que a corrente não esteja em contacto com nada.** Um momento de distração ao funcionar com a electroserra pode prender as roupas ou o corpo na corrente.
2. **Quando se segura com as duas mãos, segure na moto-serra sempre com a mão direita na pega traseira e a mão esquerda na pega dianteira.** Segurar a electroserra com as mãos ao contrário da configuração indicada aumenta o risco de ferimentos pessoais e não deve nunca ser feito.
3. **Segure a ferramenta eléctrica somente pelas pegas isoladas, pois a corrente da electroserra pode fazer contacto com fios ocultos.** O contacto da corrente da electroserra com um fio "ligado" poderá carregar as partes metálicas da ferramenta e causar choque eléctrico no operador.

4. **Use óculos de protecção e protectores para os ouvidos. É recomendável a utilização de protectores para a cabeça, mãos, pernas e pés.** Vestuário de protecção adequado reduz o risco de ferimentos causados por detritos que saltam ou contacto accidental com a corrente.
5. **Mantenha os pés bem assentes no chão.** O piso escorregadio ou instável pode provocar uma perda de equilíbrio ou de controlo da moto-serra.
6. **Ao cortar um ramo que esteja com alguma tensão, tenha cuidado com a volta do ramo para trás.** Quando a tensão nas fibras da madeira é aliviada, o ramo pode voltar e bater no operador e/ou causar a perda de controlo da electro-serra.
7. **Tenha muito cuidado especialmente quando está a cortar arbustos e brotos.** O material fino pode ficar preso na corrente e ser atirado no operador ou causar a perda de equilíbrio.
8. **Transporte a electro-serra desligada segurando-a pela pega frontal e afastada de si. Ao transportar ou guardar a electro-serra, sempre cubra a espada com a capa.** O manuseio adequado da electro-serra reduz o risco de contacto accidental com a corrente em movimento.
9. **Siga as instruções para lubrificação, regulação da tensão e troca de acessórios.** Uma corrente mal lubrificada ou cuja tensão não esteja devidamente regulada pode quebrar ou aumentar a probabilidade de recuo.
10. **Mantenha a pegas secas, limpas e sem óleo ou graxa.** Pegas oleosas são escorregadias e causam a perda de controlo.
11. **Corte somente madeira. Não utilize a electro-serra para finalidades diferentes. Por exemplo: não utilize a electro-serra para cortar plástico, alvenaria ou materiais de construção que não sejam madeira.** O uso da electro-serra para operações diferentes daquelas para as quais ela foi concebida pode resultar em situações perigosas.
12. **Causas de recuo e como o operador pode prevenir:**

O recuo pode ocorrer quando a ponta da espada faz contacto com um objecto ou quando a madeira comprime e prende a corrente no corte.

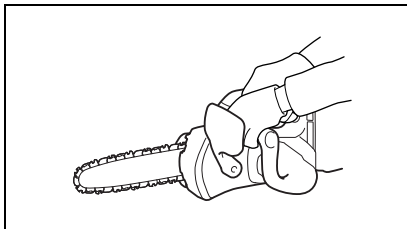
Em alguns casos, o contacto da ponta causa uma acção inversa repentina, propulsionando a espada para cima e para trás na direcção do operador.

Se a corrente ficar presa na ponta da espada, a espada pode pular de repente para trás na direcção do operador.

Qualquer uma dessas reacções pode causar a perda de controlo da electro-serra e provocar graves ferimentos pessoais. Não confie exclusivamente nos mecanismos de segurança incorporados na electro-serra. Como um utilizador de electro-serra, deverá tomar as medidas necessárias para que o seu trabalho de cortar seja seguro e livre de acidentes ou ferimentos.

O recuo é o resultado de uso impróprio da electro-serra e/ou condições ou procedimentos incorrectos para o funcionamento e pode ser evitado tomando-se as medidas de precaução relacionadas abaixo:

- **Segure a electro-serra com firmeza, com todos os dedos a circundar as pegas e as duas mãos na electro-serra, e posicione-se de forma que o seu corpo e braço permita a resistir as forças de um recuo.** O operador poderá controlar as forças do recuo se tomar as devidas precauções. Não deixe a electro-serra sem atendimento.



014673

- **Não se incline e não corte nada acima da altura dos próprios ombros.** Isso ajuda a evitar o contacto accidental da ponta e possibilita maior controlo da electro-serra em situações imprevistas.
 - **Utilize somente espadas e correntes de reposição especificadas pelo fabricante.** A substituição de espadas e correntes incorrectas pode causar a quebra da corrente e/ou recuo.
 - **Siga as instruções do fabricante para afiamento e manutenção da corrente.** Diminuição da altura do limitador de profundidade pode provocar o aumento de recuos.
13. Antes de iniciar o trabalho, verifique se a motosserra está em condições próprias para o trabalho e em conformidade com os regulamentos de segurança. Verifique especialmente se:
 - O freio de inactividade está funcionar correctamente;
 - A espada e cobertura da roda dentada estão correctamente afixadas;
 - A corrente foi afiada e tensionada de acordo com os regulamentos.
 14. **Não ligue a electro-serra se a cobertura da corrente estiver instalada.** Se ligar a electro-serra com a cobertura da corrente instalada, a cobertura da corrente pode ser lançada para a frente e provocar ferimentos pessoais e danos a objectos nas proximidades do operador.

Avisos de segurança específicos para o manuseamento da moto-serra

1. Esta moto-serra foi concebida especialmente para cuidados e operações das árvores. A moto-serra só deve ser utilizada por pessoas devidamente formadas. Observe todas as instruções, procedimentos e recomendações da organização de profissionais relevante. Caso contrário, poderão ocorrer acidentes fatais. Recomendamos que utilize sempre uma plataforma de elevação (apanha-cerejas, elevador) para serrar as árvores. As técnicas de rappell são extremamente perigosas e requerem uma formação especial. Os operadores têm de receber formação sobre como estarem familiarizados com as técnicas de utilização e utilização em altura segura dos equipamentos. Utilize sempre as cintas apropriada, cordas e mosquetões quando trabalhar em árvores. Utilize sempre equipamento de restrição para o operador e a serra.
2. Realize os trabalhos de limpeza e manutenção antes de armazenar a ferramenta, de acordo com o manual de instruções.
3. Garanta o posicionamento seguro da moto-serra durante o transporte em veículo para evitar fugas de combustível ou de óleo da serra, danos na ferramenta e ferimentos pessoais.
4. Não encha a serra com óleo perto de lume. Nunca fume quando estiver a encher com óleo.
5. Os regulamentos nacionais podem restringir a utilização da moto-serra.
6. Se o equipamento passar por um impacto forte ou queda, verifique o estado antes de continuar a trabalhar. Verifique os dispositivos de comando e segurança quando a falhas de funcionamento. Se existirem danos ou se surgirem dúvidas, peça uma inspeção e reparação no nosso centro de serviço autorizado.
7. Mantenha a serra firmemente no lugar para evitar a patinagem (movimento de deslize) ou ressaltos da mesma quando começar a cortar.
8. No final do corte tenha cuidado para manter o equilíbrio devido à “queda”.
9. Tenha em conta a direcção e a velocidade do vento. Evite serraduras e vapores de óleo na serra.

Equipamento de protecção

1. **Para evitar ferimentos na cabeça, olhos, mãos ou pés, bem como para proteger a sua audição, os equipamentos de protecção que se seguem devem ser usados durante o funcionamento da moto-serra.**
 - O tipo de vestuário utilizado deve ser apropriado, ou seja, deve ser justo mas não pode estorvar. Não utilize jóias que possam ficar presas nos arbustos ou ramagens. Se tiver cabelo comprido, use sempre uma rede para o cabelo!
 - É necessário utilizar um capacete de protecção sempre que trabalhar com uma moto-serra. O **capacete de protecção** deve ser verificado em intervalos regulares quanto a danos e deve ser substituído após um máximo de 5 anos. Utilize apenas capacetes de protecção aprovados.

- O **protector facial** do capacete de protecção (ou óculos de protecção) protegem contra a serra-dura e as lascas de madeira. Durante o funcionamento da moto-serra utilize sempre óculos de protecção ou uma protecção facial para evitar lesões nos olhos.
- Use **equipamentos de protecção contra ruído** (protectores de ouvidos, abafadores auditivos, etc.)
- O **casaco de protecção** é composto por 22 camadas de nylon e protege o operador contra cortes. Deve sempre ser usado quando se utiliza em plataformas elevadas (apanhadores de cerejas, elevadores), em plataformas montadas sobre escadas ou quando se trepa com cordas.
- O **braço protector e avental** é composto por um tecido de nylon com 22 camadas e protege contra cortes. Recomendamos fortemente sua utilização.
- **Luvras protectoras** em couro grosso fazem parte do equipamento recomendado e devem ser sempre usadas durante o funcionamento da moto-serra.
- Durante o funcionamento da moto-serra é necessário usar sempre **sapatos de segurança** ou **botas de segurança** com sola anti-derrapante, protecção dos dedos em aço e protecção para as pernas. Os sapatos de segurança equipados com uma camada de protecção oferecem protecção contra cortes e garantem a segurança dos pés. Para trabalhar em árvores, as botas de segurança têm de ser adequadas para as técnicas de trepar.

Vibração

1. Os indivíduos que sofrem de má circulação e que estão expostos a vibração excessiva podem sofrer lesões nos vasos sanguíneos ou no sistema nervoso central.

A vibração pode provocar os seguintes sintomas nos dedos, mãos ou pulsos: “Adormecimento” (entorpecimento), formigueiro, dor, sensação de facadas, alteração da cor da pele ou da própria pele.

Se ocorrer algum destes sintomas, consulte um médico! Para reduzir os riscos da “doença dos dedos brancos”, mantenha as suas mãos quentes durante o funcionamento e a manutenção do equipamento e acessórios.

GUARDE ESTAS INSTRUÇÕES.



AVISO:

NÃO permita que conforto ou familiaridade com o produto (adquirido com o uso repetido) substitua a aderência estrita às regras de segurança da ferramenta. MÁ INTERPRETAÇÃO ou não seguimento das regras de segurança estabelecidas neste manual de instruções pode causar danos pessoais sérios.

IMPORTANTES INSTRUÇÕES DE SEGURANÇA

PARA A BATERIA

1. Antes de utilizar a bateria, leia todas as instruções e etiquetas de precaução no (1) carregador de bateria (2) bateria e (3) produto que utiliza a bateria.
2. Não abra a bateria.
3. Se o tempo de funcionamento se tornar excessivamente curto, pare o funcionamento imediatamente. Pode resultar em sobreaquecimento, possíveis queimaduras e mesmo explosão.
4. Se entrar electrólito nos seus olhos, lave-os com água e consulte imediatamente um médico. Pode resultar em perda de visão.
5. Não corte-circuite a bateria:
 - (1) Não toque nos terminais com qualquer material condutor.
 - (2) Evite guardar a bateria juntamente com outros objectos metálicos tais como pregos, moedas, etc.
 - (3) Não exponha a bateria à água ou chuva. Um curto-circuito pode ocasionar um enorme fluxo de corrente, sobreaquecimento, possíveis queimaduras e mesmo estragar-se.
6. Não guarde a ferramenta e a bateria em locais onde a temperatura pode atingir ou exceder 50°C.
7. Não queime a bateria mesmo que esteja estragada ou completamente gasta. A bateria pode explodir no fogo.
8. Tenha cuidado para não deixar cair ou dar pancadas na bateria.
9. Não utilize uma bateria danificada.
10. Siga os regulamentos locais relacionados com a eliminação das baterias.

GUARDE ESTAS INSTRUÇÕES.

Conselhos para manter a máxima vida útil da bateria

1. Carregue a bateria antes que esteja completamente descarregada. Pare sempre o funcionamento da ferramenta e carregue a bateria quando notar menos poder na ferramenta.
2. Nunca carregue uma bateria completamente carregada. Carregamento excessivo diminui a vida útil da bateria.
3. Carregue a bateria à temperatura ambiente de 10°C – 40°C. Deixe que uma bateria quente arrefeça antes de a carregar.
4. Carregue a bateria uma vez a cada seis meses se não for utilizá-la por um longo período de tempo.

DESCRIÇÃO FUNCIONAL

⚠ PRECAUÇÃO:

- Certifique-se sempre de que a ferramenta está desligada e a bateria retirada antes de regular ou verificar qualquer função na ferramenta.

Instalar ou retirar a bateria (Fig. 1)

- Desligue sempre a ferramenta antes de instalar ou retirar a bateria.
- **Segure firmemente na ferramenta e no cartucho da bateria quando instalar ou retirar o cartucho da bateria.**

Ao não segurar firmemente na ferramenta e bateria pode fazer com que escorreguem das suas mãos e resultar em danos para a ferramenta e bateria e ferimento pessoal.

Para retirar o cartucho da bateria, deslize-o da ferramenta enquanto desliza o botão na parte da frente do cartucho.

Para instalar o cartucho da bateria, alinhe a lingueta no cartucho da bateria com o entalhe na caixa e deslize-o para o lugar. Insira-o por completo até bloquear no lugar com um pequeno estalido. Se conseguir ver o indicador vermelho no lado superior do botão, não está bloqueado completamente.

⚠ PRECAUÇÃO:

- Instale sempre o cartucho da bateria por completo até o indicador vermelho não ser visto. Se isso não acontecer, pode cair acidentalmente da ferramenta, causando-lhe ferimentos a si ou alguém perto de si.
- Não instale o cartucho da bateria fazendo força. Se o cartucho não deslizar facilmente, não está a ser inserido correctamente.

Sistema de protecção da bateria (Bateria de íon lítio com a marca de estrela) (Fig. 2)

As baterias de íon lítio com a marca de estrela são equipadas com um sistema de protecção. O sistema desliga a ferramenta automaticamente para prolongar a vida útil da bateria.

A ferramenta para automaticamente durante o funcionamento se a mesma e/ou bateria se encontrar em uma das seguintes circunstâncias.

- Sobrecarga:
 - A ferramenta funcionou de maneira que puxa corrente elevada demais.
 - Nesse caso, liberte o gatilho do interruptor da ferramenta para parar a operação que provocou a sobrecarga da ferramenta. A seguir, carregue no gatilho do interruptor outra vez para ligar.
 - Se a ferramenta não ligar, a bateria está superaquecida. Nesse caso, aguarde até a bateria arrefecer antes de carregar no gatilho do interruptor outra vez.
- Baixa tensão da bateria:
 - A carga restante da bateria está baixa demais e a ferramenta não funciona. Nesse caso, retire a bateria e recarregue-a.

Interruptor (Fig. 3)

⚠ PRECAUÇÃO:

- Antes de colocar a bateria na electroserra, verifique sempre se o gatilho funciona correctamente e volta para a posição “OFF” quando libertado.

Para evitar que o gatilho seja acidentalmente pressionado existe um botão de bloqueio.

Para ligar a electroserra, pressione o botão de bloqueio e carregue no gatilho. Liberte o gatilho para parar.

ASSEMBLAGEM

⚠ PRECAUÇÃO:

- Certifique-se sempre de que a ferramenta está desligada e a bateria retirada antes de executar qualquer manutenção na ferramenta.

Instalação ou extracção da corrente

⚠ PRECAUÇÃO:

- Certifique-se sempre de que a electroserra está desligada e a bateria retirada antes de colocar ou retirar a corrente.
- Use sempre luvas quando colocar ou retirar a corrente da electroserra.
- Utilize somente a corrente e a espada com ponta específica para esta electroserra (consulte o Extracto da lista de peças sobressalentes).
- Para evitar o recuo, não retire a ponta da espada nem substitua a espada por outra sem ponta.

Gire o botão para a esquerda para desapertar o parafuso até a cobertura da roda dentada sair. (Fig. 4)

Retire a cobertura da roda dentada.

Retire a corrente e a espada da electroserra.

Instale uma ponta da corrente no topo da espada. Nesse momento, encaixe a corrente como ilustrado na figura porque a mesma gira no sentido da seta. (Fig. 5)

Coloque a serra de modo a que a mola fique posicionada dentro da mesma e encaixe a outra extremidade da serra em volta da roda dentada, como indicado na figura. (Fig. 6)

Enquanto girando a espada para a esquerda, instale-a de modo que a ponta da espada toque a mola. (Fig. 7)

Coloque o gancho da cobertura da roda dentada no orifício e instale a cobertura da roda dentada na ferramenta. (Fig. 8)

Gire o botão para a direita para apertar o parafuso com firmeza. (Fig. 9)

Regulação da tensão da corrente (Fig. 10 e 11)

Desapertar o parafuso só um pouco é o suficiente para efectuar a regulação da tensão da corrente. Aperte bem o parafuso outra vez após a regulação.

⚠ PRECAUÇÃO:

- A corrente da electroserra pode ficar solta algum tempo depois de ser instalada. Verifique de vez em quando a tensão da corrente antes de utilizar a electroserra.
- A corrente pode se deslocar se a tensão for fraca.
- A instalação ou remoção da corrente da electroserra deve ser realizada num local limpo, sem pó de serra, etc.

Batente de espigões (acessório opcional)

(Fig. 12)

Para instalar o batente de espigões, realize os seguintes passos:

1. Retire a tampa da roda dentada, a serra e a espada-guia como descrito neste manual de instruções.
2. Instale os orifícios do batente de espigões juntamente com os orifícios da moto-serra.
3. Aperte-os firmemente com parafusos.

FUNCIONAMENTO

Lubrificação (Fig. 13)

A corrente da electroserra é lubrificada automaticamente ao funcionar com a ferramenta.

Verifique a quantidade de óleo restante no tanque através do visor de inspecção.

Retire a tampa do tanque de óleo para encher o tanque. Depois de encher, sempre feche a tampa fornecida do tanque de óleo da electroserra.

⚠ PRECAUÇÃO:

- Ao colocar óleo de corrente na electroserra pela primeira vez ou quando encher o tanque após o mesmo estar completamente vazio, adicione o óleo até a borda inferior do gargalo de enchimento. Caso contrário, o fornecimento de óleo pode ser prejudicado.
- Utilize óleo exclusivo para electroserras Makita ou outros óleos disponíveis no mercado como óleo de lubrificação.
- Nunca utilize óleo com poeira ou partículas nem óleo volátil.
- Utilize sempre óleo vegetal quando podar árvores. O óleo mineral pode danificar as árvores.
- Nunca force a electroserra ao podar árvores.
- Antes de começar a podar, certifique-se de que a tampa fornecida do tanque de óleo está fechada.

Segure a electroserra afastada da árvore. Ligue-a e aguarde até que a corrente seja lubrificada adequadamente.

Aproxime a ponta-guia/espada inferior até tocar o ramo a cortar antes de ligar a electroserra. Cortar sem antes tocar o ramo com a ponta-guia/espada inferior pode causar a oscilação da espada e ferir o operador.

Corte a madeira simplesmente movendo a ferramenta para baixo.

Podar árvores

⚠ PRECAUÇÃO:

- Mantenha todo o seu corpo afastado da corrente da electroserra quando o motor estiver a funcionar.
- Segure a electroserra firmemente com as duas mãos quando o motor estiver a funcionar.
- Não se incline. Mantenha sempre os pés firmes e em equilíbrio.

Aproxime a ponta-guia/espada inferior até tocar o ramo a cortar antes de ligar a electroserra. Cortar sem antes tocar o ramo com a ponta-guia/espada inferior pode causar a oscilação da espada e ferir o operador. (Fig. 14 e 15)

Quando cortar ramos grossos, faça primeiro um corte pouco profundo por baixo e em seguida faça o corte final a partir de cima. (Fig. 16)

Se tentar cortar ramos grossos por baixo, o ramo pode dobrar-se sobre a corrente e prendê-la. Se tentar cortar ramos grossos por cima sem ter feito um corte pouco profundo por baixo, o ramo pode estilhaçar-se. (Fig. 17)

Se não conseguir cortar a madeira completamente com um simples corte:

Exerça uma pressão ligeira na pega e continue a serrar e recue a electroserra um pouco; em seguida coloque a ponta um pouco mais baixa e acabe o corte levantando a pega. (Fig. 18)

Transporte da electroserra (Fig. 19)

Retire sempre a bateria e cubra a espada com capa antes de transportar a electroserra. Cubra a bateria com a respectiva tampa.

MANUTENÇÃO

PRECAUÇÃO:

- Certifique-se sempre de que a ferramenta está desligada e a bateria retirada antes de tentar executar qualquer inspecção ou manutenção.
- Use sempre luvas quando executar qualquer inspecção ou manutenção.
- Nunca utilize gasolina, benzina, diluente, álcool ou produtos semelhantes. Pode ocorrer a descoloração, deformação ou rachaduras.

Afiação da corrente da electroserra

PRECAUÇÃO:

- Sempre retire a bateria e utilize luvas de segurança ao efectuar a manutenção da corrente da electroserra.

Afiar a corrente da electroserra quando:

- O pó de serragem produzido ao serrar madeira húmida parece farinha;
- A corrente penetra na madeira com dificuldade, mesmo que exerça bastante pressão;
- O fio do corte está obviamente danificado;
- A serra puxa para a esquerda ou direita ao serrar a madeira. Isto é devido à afiação irregular da corrente da electroserra ou danos a um dos lados. (Fig. 20)

Afiar frequentemente, mas sem remover muito material.

Normalmente, duas ou três passadas da lima será o suficiente para afiação regular. Leve a corrente da electroserra para ser afiada num centro especializado MAKITA se já a afiou várias vezes.

Limas e como trabalhar com elas (Fig. 21)

- Use uma lima redonda especial (acessório opcional) para correntes de electroserra, com um diâmetro de 4 mm, para afiar a corrente. Limas redondas comuns não são apropriadas.
- A lima deve desbastar o material somente quando empurrada para a frente. Levante a lima quando trazendo-a de volta para trás.
- Afie a aresta de corte mais curta primeiro. O comprimento desta aresta de corte torna-se o padrão para todas as outras da corrente da electroserra.
- Movimento a lima como indicado na ilustração.
- O movimento da lima torna-se mais fácil se utilizar um porta-limas (acessório). O porta-limas é marcado com o ângulo de afiação correcto de 30° (alinhar as marcas paralelas com a corrente) e limita a profundidade de penetração (aos 4/5 do diâmetro da lima).

Movimento a lima como indicado na ilustração. (Fig. 22)

- Depois de afiar a corrente, verifique a altura do limitador de profundidade utilizando um calibrador de corrente (acessório opcional).
- Retire qualquer material saliente, por menor que seja, com uma lima chata especial (acessório opcional).
- Arredonde a frente do limitador de profundidade outra vez.
- Lave a poeira e as partículas da corrente da electroserra depois de regular a altura do limitador de profundidade.

Limpar a espada (Fig. 23)

Partículas e pó da electroserra acumulam-se na ranhura da espada obstruindo e diminuindo o fluxo do óleo. Retire sempre as partículas e o pó quando afiar ou substituir a corrente.

Limpeza do filtro de óleo no orifício de saída de óleo

Poeira ou partículas podem se acumular no orifício de saída de óleo do filtro durante o funcionamento.

A poeira ou partículas acumuladas no filtro de óleo podem prejudicar o fluxo de óleo e resultar em lubrificação insuficiente da corrente inteira.

Se ocorrer a dispensa insuficiente de óleo da corrente no topo da espada, limpe o filtro como a seguir:

Retire a bateria da ferramenta.

Retire a cobertura da roda dentada e a corrente da electroserra. (Consulte a secção intitulada "Instalação ou extracção da corrente".)

Retire a porca de pressão utilizando uma chave de fenda com ponta alongada ou semelhante. (Fig. 24)

Retire o filtro da electroserra e limpe a poeira ou partículas do mesmo. Substitua o filtro por um novo se estiver sujo demais. (Fig. 25)

Coloque a bateria na ferramenta.

Aperte o gatilho ho interruptor para expelir óleo a fim de remover a poeira e partículas acumuladas no orifício de saída de óleo. (Fig. 26)

Retire a bateria da ferramenta.

Coloque o filtro de óleo limpo no orifício de saída de óleo. Substitua o filtro por um novo se estiver sujo demais. (Fig. 27)

Insira a porca de pressão no orifício de saída de óleo com o lado correcto voltado para cima, como indicado na ilustração, para prender o filtro. Quando não for mais possível prender o filtro com a porca de pressão porque a mesma está deformada, substitua-a por uma nova. (Fig. 28)

Reinstale a cobertura da roda dentada e a corrente na electroserra.

Substituição da roda dentada (Fig. 29 e 30)

Antes de instalar uma corrente nova, verifique a condição da roda dentada.

PRECAUÇÃO:

- Uma roda dentada gasta danificará a corrente nova. Substitua a roda dentada quando estiver gasta. A roda dentada deve ser instalada de modo que fique de acordo com a ilustração.

Sempre coloque um anel de trava novo ao substituir a roda dentada.

Substituição das escovas de carvão (Fig. 31 e 32)

Retire e inspeccione as escovas de carvão regularmente. Substitua-as quando estiverem gastas até à marca limite. Mantenha as escovas de carvão limpas e a deslizarem livremente nos suportes. As duas escovas de carvão devem ser substituídas ao mesmo tempo. Utilize só escovas de carvão idênticas.

Utilize uma chave de parafusos para retirar as tampas do porta escovas. Tire as escovas gastas, coloque as novas e prenda as tampas do porta escovas.

Armazenar a ferramenta

Limpe a ferramenta antes de armazenar. Limpe as partículas e o pó da electroserra depois de retirar a cobertura da roda dentada. Depois de limpa, funcione-a em vazio para lubrificar a corrente e a espada.
Cubra a espada com a capa.
Esvazie o tanque de óleo e coloque a electroserra com a tampa do tanque voltada para cima.

Para manter a SEGURANÇA e a FIABILIDADE da ferramenta, as reparações e a manutenção ou as afinações só devem ser efectuadas num Centro autorizado de assistência Makita, utilizando sempre peças de substituição Makita.

Instruções para manutenção periódica

Para garantir uma vida útil longa, evite danificar e garanta o funcionamento total das funcionalidades de segurança. A manutenção seguinte tem de ser realizada regularmente. Os pedidos em garantia só podem ser aceites se este trabalho for realizado regular e adequadamente. O não cumprimento dos trabalhos de manutenção indicados pode levar a acidentes!
O utilizador da moto-serra não pode realizar os trabalhos de manutenção que não estejam descritos no manual de instruções. Esses trabalhos devem ser efectuados por um centro de assistência autorizado.

Tempo de funcionamento		Antes do funcionamento	Todos os dias	Todas as semanas	De 3 em 3 meses	Anualmente	Antes de armazenar
Moto-serra	Inspeção.	<input type="radio"/>					
	Limpeza.		<input type="radio"/>				
	Verifique num centro de assistência autorizado.					<input type="radio"/>	<input type="radio"/>
Serra da ferramenta	Inspeção.	<input type="radio"/>					
	Afiar se necessário.						<input type="radio"/>
Espada-guia	Inspeção.	<input type="radio"/>	<input type="radio"/>				
	Remover da motosserra.						<input type="radio"/>
Lubrificação da serra	Verificar a taxa de alimentação de óleo.	<input type="radio"/>					
Disparador tipo interruptor	Inspeção.	<input type="radio"/>					
Botão de desbloqueio	Inspeção.	<input type="radio"/>					
Tampão do depósito de óleo	Verificar a estanquidade.	<input type="radio"/>					
Fixador da serra	Inspeção.			<input type="radio"/>			
Parafusos e porcas	Inspeção.			<input type="radio"/>			

014813

SOLUÇÃO DE PROBLEMAS

Antes de solicitar reparos, faça primeiro uma inspeção. Se encontrar um problema que não esteja explicado no manual, não tente desmontar a ferramenta. Em vez disso, solicite o conserto a um centro de assistência técnica autorizada Makita, usando sempre peças de reposição originais Makita.

Problema	Causa	Ação
A moto-serra não arranca.	A bateria não está instalada.	Instale o cartucho de bateria carregado.
	Problema com a bateria (tensão baixa).	Recarregue o cartucho de bateria. Se recarregar a bateria não solucionar, substitua o cartucho de bateria.
O motor pára de funcionar depois de pouco tempo de utilização.	O nível da carga da bateria está baixo.	Recarregue o cartucho de bateria. Se recarregar a bateria não solucionar, substitua o cartucho de bateria.
Não há óleo na serra.	O depósito de óleo está vazio.	Encha o depósito de óleo.
	Ranhura-guia do óleo suja.	Limpe a ranhura.
	Falha de funcionamento da bomba de óleo.	Solicite o conserto em um centro de assistência técnica autorizada local.
Não atinge o RPM máximo.	O cartucho de bateria está instalado de forma incorrecta.	Instale a bateria como descrito neste manual.
	O nível da carga da bateria está baixo.	Recarregue o cartucho de bateria. Se recarregar a bateria não solucionar, substitua o cartucho de bateria.
	O sistema de accionamento não funciona correctamente.	Solicite o conserto em um centro de assistência técnica autorizada local.
A serra não pára: Desligue a máquina imediatamente!	Falha de funcionamento do interruptor.	Solicite o conserto em um centro de assistência técnica autorizada local.
Vibração anormal: Desligue a máquina imediatamente!	A espada-guia ou a serra da ferramenta está solta.	Ajuste a espada-guia e a tensão da serra da ferramenta.
	Falha de funcionamento da ferramenta.	Solicite o conserto em um centro de assistência técnica autorizada local.

014814

ACESSÓRIOS OPCIONAIS

PRECAUÇÃO:

- Estes acessórios ou peças são recomendados para utilização com a ferramenta Makita especificada neste manual. A utilização de outros acessórios ou peças pode ser perigosa para as pessoas. Utilize apenas acessórios ou peças para os fins indicados.

Se precisar de ajuda para obter mais informações relativas a estes acessórios, entre em contacto com o centro de assistência Makita local.

- Vários tipos de baterias Makita e carregadores
- Serra da ferramenta
- Capa
- Espada completa
- Lima

NOTA:

- Alguns itens da lista podem estar incluídos na embalagem da ferramenta como acessórios padrão. Eles podem variar de país para país.

ENG905-1

Ruído

A característica do nível de ruído A determinado de acordo com EN60745:

Modelo DUC122

Nível de pressão de som (L_{pA}): 84,6 dB (A)
Nível de potência de som (L_{WA}): 92,7 dB (A)
Variabilidade (K): 2 dB (A)

Utilize protectores para os ouvidos

ENG900-1

Vibração

O valor total da vibração (soma vectorial tri-axial) determinado de acordo com EN60745:

Modelo DUC122

Modo de trabalho: cortar madeira
Emissão de vibração (a_{h1}): 4,3 m/s²
Variabilidade (K): 1,5 m/s²

- O valor da emissão de vibração indicado foi medido de acordo com o método de teste padrão e pode ser utilizado para comparar duas ferramentas.
- O valor da emissão de vibração indicado pode também ser utilizado na avaliação preliminar da exposição.

⚠ AVISO:

- A emissão de vibração durante a utilização real da ferramenta eléctrica pode diferir do valor de emissão indicado, dependendo das formas como a ferramenta é utilizada.
- Certifique-se de identificar as medidas de segurança para protecção do operador que sejam baseadas em uma estimativa de exposição em condições reais de utilização (considerando todas as partes do ciclo de operação, tal como quando a ferramenta está desligada e quando está a funcionar em marcha lenta além do tempo de accionamento).

ENH030-5

Só para países Europeus

Declaração de conformidade CE

A Makita declara que a(s) seguinte(s) máquina(s):

Designação da ferramenta:

Motoserra a Bateria

Modelo nº/Tipo: DUC122

Especificações: consulte a tabela "ESPECIFICAÇÕES".

Em conformidade com as seguintes directivas europeias:

2000/14/CE, 2006/42/CE

São fabricadas de acordo com as seguintes normas ou documentos normalizados:

EN ISO 11681-2

Nº de certificado do exame de tipo CE 4814056.14009

Exame CE de tipo efectuado em conformidade com a 2006/42/CE por:

DEKRA Testing and Certification GmbH

Enderstraße 92b

01277 Dresden

Alemanha

Identificação N° 2140

O ficheiro técnico de acordo com a 2006/42/CE está disponível em:

Makita, Jan-Baptist Vinkstraat 2, 3070, Bélgica

Os procedimentos de avaliação da conformidade requeridos pela directiva 2000/14/CE foram efectuados de acordo com o anexo V.

Nível de potência sonora medido: 93 dB (A)

Nível de potência sonora garantido: 95 dB (A)

23.9.2014



Yasushi Fukaya

Director

Makita, Jan-Baptist Vinkstraat 2, 3070, Bélgica

Illustrationsoversigt

1 Rød indikator	12 Fjeder	21 Skede (sværdbeskytter)
2 Knap	13 Kædehjul	22 Trykmøtrik
3 Akku	14 Krog	23 Kærsvkruetrækker
4 Stjernemærke	15 Hul	24 Filter
5 Låseknap	16 Olietankhætte	25 Låsering
6 Afbryderknap	17 Olieinspektionsrude	26 Slutteskive
7 Kædehjulsdæksel	18 Olietankåbning	27 Slidmarkeringen
8 Drejeknap	19 Næsestyr	28 Kulholderdæksel
9 Skærende led	20 Nedre del af sværdet	29 Skruetrækker
10 Sværd		
11 Pil		

SPECIFIKATIONER

Model		DUC121	DUC122
Standardsværd	Sværdlængde	115 mm	
	Snitlængde	11,5 cm	
	Type	Udskæringsstang	
Standard savkæde	Type	25 AP	
	Stigning	6,35 mm (1/4")	
	Jauge	1,3 mm (0,05")	
	Antal drivled	42	
Kædehjul	Antal tænder	9	
	Stigning	6,35 mm (1/4")	
Længde		422 mm	
Nettovægt		2,5 kg	2,6 kg
Kædehastighed pr. minut (min ⁻¹)		4,8 m/s (290 m/min)	5,0 m/s (300 m/min)
Kædeolietank volumen		80 cm ³	
Mærkespænding		D.C. 14,4 V	D.C. 18 V

- På grund af vores kontinuerlige forsknings- og udviklingsprogrammer kan hosstående specifikationer blive ændret uden varsel.
- Specifikationer og akku kan variere fra land til land.
- Vægt inklusive akku, i henhold til EPTA-Procedure 01/2003

ADVARSEL: Brug en passende kombination af sværd og savkæde. I modsat fald kan det medføre personskaade.

ENE090-1

Tilsigtet anvendelse

Kædesaven er beregnet til afskæring af grene/berøring af træer. Den er også velegnet til afgrænsningsarbejde.

GEA010-1

Almindelige sikkerhedsregler for el-værktøj

⚠ ADVARSEL! Læs alle sikkerhedsadvarsler og alle sikkerhedsinstruktioner. Hvis nedenstående advarsler og instruktioner ikke overholdes, kan resultatet blive elektrisk stød, brand og/eller alvorlig personskaade.

Gem alle advarsler og instruktioner til fremtidig reference.

GEB119-1

SIKKERHEDSFORSKRIFTER FOR AKKU-KÆDESAVEN:

1. **Hold alle kroppsdele på god afstand af kædesaven, når den er i gang. Sørg for, inden kædesaven startes, at den ikke er i kontakt med noget.** Et øjeblik uopmærksomhed under anvendelse af kædesaven kan betyde, at Deres tøj eller kroppsdele kommer i kontakt med savkæden.
2. **Når De holder kædesaven med begge hænder, bør De altid holde i kædesaven med højre hånd på det bageste håndtag og venstre hånd på det forreste håndtag.** Hvis De holder i kædesaven med omvendt placering af hænderne, vil risikoen for tilskadekomst blive øget, hvorfor dette aldrig bør gøres.
3. **Hold altid kun i maskinen i de isolerede grebflader, da savkæden kan komme i berøring med skjulte ledninger.** En savkæde, der kommer i berøring med en strømførende ledning, kan gøre de udsatte metaldele på maskinen strømførende, hvilket kan give operatøren elektrisk stød.

4. **Bær altid sikkerhedsbriller og høreværn. Anvendelse af yderligere beskyttelsesudstyr til hoved, hænder, ben og fødder anbefales.** Fyldstgørende beskyttelsestøj vil reducere risikoen for tilskadekomst, som er forårsaget af flyvende afskær eller utilsigtet kontakt med savkæden.

5. **Sørg hele tiden for sikkert fodfæste.** Glatte og ustabile flader kan medføre, at man mister balancen eller herredømmet over kædesaven.

6. **Når man skærer en gren, der er spændt, skal man være på vagt mod tilbageslag.** Når træfibrenes spænding udløses, kan den spændte gren ramme operatøren og/eller slynge kædesaven ud af kontrol.

7. **Udvis den største forsigtighed, når De skærer krat og unge træer.** Det tynde materiale kan blive fanget i kædesaven og blive slynget mod Dem eller slå Dem ud af balance.

8. **Bær altid kædesaven i det forreste håndtag med kædesaven slukket og vendende bort fra kroppen.** Når kædesaven transporteres eller lægges til opbevaring, skal sværdbeskytteren altid sættes på. Korrekt håndtering af saven vil reducere sandsynligheden for utilsigtet kontakt med den kørende savkæde.

9. **Følg instruktionerne for smøring, kædespænding og udskiftning af ekstraudstyr.** En fejlagtig spændt eller smurt kæde kan enten knække, eller risikoen for tilbageslag kan øges.

10. **Hold håndtagene tørre, rene og fri for olie og fedt.** Fedtede, olieglatte håndtag er glatte og kan bevirke, at herredømmet over saven mistes.

11. **Skær kun i træ. Anvend ikke kædesaven til andre formål end dem, den er beregnet til. Anvend for eksempel ikke kædesaven til at skære i plastic, murværk eller byggematerialer, som ikke er af træ.** Anvendelse af kædesaven til andre formål end de tilsigtede kan resultere i farlige situationer.

12. **Årsager til tilbageslag og hvordan operatøren kan forhindre det:**

Tilbageslag kan opstå, hvis næsen eller spidsen af sværdet berører en genstand eller hvis træet lukker sammen og klemmer savkæden fast i snittet.

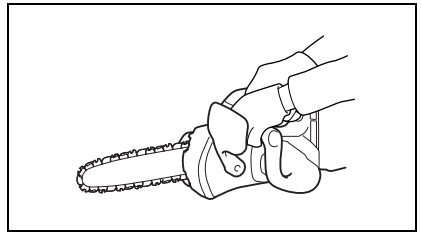
Spidskontakt kan i visse tilfælde forårsage en pludselig baglæns reaktion, hvorved sværdet trykkes op og tilbage mod operatøren.

Hvis savkæden klemmes fast langs sværdets over-side, kan sværdet blive presset hurtigt tilbage mod operatøren.

Begge disse reaktioner kan bevirke, at De mister herredømmet over saven, hvilket kan resultere i alvorlig tilskadekomst. Stol ikke udelukkende på de sikkerhedsanordninger, som er indbygget i saven. Som bruger af en kædesav, bør De tage adskillige forholdsregler for at forhindre, at ulykker og tilskadekomst opstår under skærearbejdet.

Tilbageslag er et resultat af misbrug og/eller forkert anvendelse af saven eller ukorrekte forhold og kan undgås ved at de herunder anviste sikkerhedsforskrifter overholdes:

- **Hold godt fast i saven med tommelfingre og de andre fingre omkring sakens håndtag og med begge hænder på saven, således at tilbageslag modvirkes.** Tilbageslag kan forhindres af operatøren, hvis de rigtige forholdsregler tages. Slip ikke kædesaven.



014673

- **Ræk ikke over og skær ikke over skulderhøjde.** Dette bidrager til at forebygge utilsigtet spidskontakt og muliggør en bedre beherskelse af kædesaven i uventede situationer.
 - **Anvend udelukkende udskiftningssværd og -kæder, som er specificeret af fabrikanten.** Forkerte udskiftningssværd og udskiftningskæder kan medføre brud på kæden og/eller tilbageslag.
 - **Følg fabrikantens anvisninger for skærpelse og vedligeholdelse af kædesaven.** Minskning af dybdemålerhøjden kan føre til øget tilbageslag.
13. **Kontroller, inden arbejdet påbegyndes, at kædesaven er i korrekt arbejdstilstand og at dens tilstand opfylder betingelserne i sikkerhedsregulativerne.** Kontroller specielt at:
- Stopbremsen fungerer ordentligt.
 - Styret og kædehjulsdækslet er korrekt monteret.
 - Kæden er blevet skærpet og spændt i overensstemmelse med regulativerne.
14. **Start ikke kædesaven med kædedækslet monteret.** Hvis kædesaven startes med kædedækslet monteret, kan det bevirke, at kædedækslet slynges fremad med personskaade og skade på genstande omkring operatøren som resultat.

Sikkerhedsadvarsler specifikt for kædesav med tophåndtag

1. Denne kædesav er specielt designet med henblik på træpleje og -kirurgi. Kædesaven er udelukkende beregnet til brug for en dertil uddannet person. Overhold alle instrukser, fremgangsmåder og anbefalinger fra den relevante professionelle organisation. I modsat fald kan der opstå fare for dødsulykker. Det anbefales, at De altid anvender en teleskoplift (cherry picker, lift) når De skal save oppe i et træ. Rapelling-teknikker er særdeles farlige og kræver special træning. Operatøren skal være trænet i og have kendskab til brugen af sikkerhedsudstyr og klatreknikker. Benyt altid de korrekte seler, reb og karabinhager, når De arbejder i træer. Brug altid fastholdelsesudstyr til både operatør og sav.
2. Udfør rengøring og vedligeholdelse inden opbevaring i overensstemmelse med brugsvejledningen.
3. Sørg for at placere kædesaven sikkert under transport, således at der ikke opstår læk af brændstof eller kædeolie, beskadigelse af saven eller personskaade.
4. Fyld ikke kædeolie på i nærheden af ild. Undlad at ryge, mens De fylder kædeolie på.
5. Nationale regler kan indskrænke brugen af kædesave.

6. Hvis udstyret udsættes for hårde stød eller fald, bør De kontrollere dets tilstand, inden De fortsætter med at bruge det. Kontrollér, om knapper og sikkerhedsanordninger fungerer korrekt. Hvis der findes skader, eller hvis De er i tvivl, bør De kontakte Deres autoriserede servicecenter med henblik på kontrol og evt. reparation.
7. Hold saven i et fast greb, så den ikke skøjter (glidebevægelser) eller hopper, når De begynder at skære.
8. Pas på ikke at miste balancen, når en gren er skåret over, og modstanden forsvinder.
9. Vær opmærksom på vindretning og -hastighed. Undgå savsmuld og kædeolietåge.

Beskyttelsesudstyr

1. **Undgå hoved-, øjen-, hånd- eller fodskader og beskyt Deres hørelse ved altid at anvende følgende beskyttelsesudstyr under betjening af kædesaven:**
 - Tøjet skal være hensigtsmæssigt, dvs. det skal være tætsluttende uden at hindre bevægelsesfriheden. Bær ikke smykker eller tøj, der kan sætte sig fast i buske og krat. Hvis De har langt hår, bør De altid bære et hårnet!
 - Det er til enhver tid påkrævet at bære en sikkerhedshjelm under arbejde med kædesaven. **Sikkerhedshjelm** skal regelmæssigt kontrolleres for skader og skal udskiftes senest efter 5 år. Brug altid en godkendt sikkerhedshjelm.
 - Sikkerhedshjelmens **ansigtsskjold** (eller beskyttelsesbriller) beskytter mod savsmuld og træsplinter. Under betjening af kædesaven bør De altid bære beskyttelsesbriller eller ansigtsskjold til forhindring af øjenskader.
 - Bær tilstrækkeligt **støjbeskyttelsesudstyr** (høreværn, ørepropper el. lign.)
 - **Beskyttelsesjakken** består af 22-lags nylonstof og beskytter operatoren imod snitsår. Den bør altid bæres, når De arbejder fra en hævet platform (cherry picker, lift), fra en platform monteret på en stige, eller hvis De klatrer med reb.
 - **Beskyttelsesoveralls med smæk og seler** er fremstillet i 22-lags nylonstof og beskytter imod snitsår. Vi anbefaler på det kraftigste, at sådanne anvendes.
 - **Beskytteshandsker** fremstillet i tykt læder er en del af det korrekte udstyr og skal altid bæres under betjening af kædesaven.
 - Under betjening af kædesaven bør De altid bære **sikkerhedssko** eller **sikkerhedsstøvler** med skridsikre såler og rustfri stålsnuder samt benbeskyttere. Sikkerhedssko med et beskyttende lag giver beskyttelse imod snit og sørger for sikkert fodfæste. Til arbejde i træer bør sikkerhedsstøvlerne være af en type, der er egnet til klatring.

Vibrationer

1. Personer med dårligt blodomløb, som udsættes for stærke vibrationer, kan beskadige blodårer eller nervesystem.
Vibrationerne kan forårsage følgende symptomer i fingre, hænder eller håndled: "En sovende fornemmelse" (følelsesløshed), snurren, smerte, en stikende følelse, ændringer i hudfarve eller hud.
Hvis nogen af disse symptomer optræder, bør De konsultere en læge!
Nedsæt risikoen for Raynauds syndrom, "hvide fingre", ved at holde hænderne varme under brugen og holde udstyr og tilbehør i god stand.

GEM DISSE FORSKRIFTER.

ADVARSEL:

LAD IKKE bekvemmelighed eller kendskab til produktet (opnået gennem gentagen brug) forhindre, at sikkerhedsforskrifterne for produktet nøje overholdes. **MISBRUG** eller forsømmelse af at følge de i denne brugsvejledning givne sikkerhedsforskrifter kan føre til, at De kommer alvorligt til skade.

ENC007-8

VIKTIGE SIKKERHEDSFORSKRIFTER

FOR AKKU

1. **Læs alle instruktioner og advarselmærkater på (1) akku opladeren, (2) akku og (3) produktet, som anvender akku.**
2. **Lad være med at skille akkuen ad.**
3. **Hold straks op med at anvende opladeren, hvis brugstiden er blevet stærkt afkortet. Fortsat anvendelse kan resultere i risiko for overophedning, forbrændinger og endog eksplosion.**
4. **Hvis du har fået elektrolytvæske i øjnene, skal du straks skylle den ud med rent vand og derefter øjeblikkeligt søge lægehjælp. I modsat fald kan resultatet blive, at du mister synet.**
5. **Vær påpasselig med ikke at komme til at kortslutte akkuen:**
 - (1) **Rør ikke ved terminalerne med noget ledende materiale.**
 - (2) **Undgå at opbevare akkuen i en beholder sammen med andre genstande af metal, som for eksempel søm, mønter og lignende.**
 - (3) **Udsæt ikke akkuen for vand eller regn. Kortslutning af akkuen kan være årsag til en kraftig øgning af strømmen, overophedning, mulige forbrændinger og endog maskinstop.**
6. **Opbevar ikke værktøj og akkuen på et sted, hvor temperaturen kan nå eller overstige 50°C.**
7. **Lad være med at brænde akkuen, selv ikke i tilfælde, hvor det har lidt alvorlig skade eller er fuldstændig udtjent. Akkuen kan eksplodere, hvis man forsøger at brænde den.**
8. **Lad være med at brænde akkuen eller udsætte det for stød.**
9. **Anvend ikke en beskadiget akku.**
10. **Følg de lokale regler for bortskaffelse af akkuer.**

GEM DENNE BRUGSANVISNING.

Tips til opnåelse af maksimal akku-levetid

1. **Oplad altid akkuen, inden den er helt afladet. Stop altid værktøj og oplad akkuen, hvis det bemærkes, at maskineffekten er dalende.**
2. **Genoplad aldrig en fuldt opladet akku. Overopladning vil afkorte akkuens levetid.**
3. **Oplad akkuen ved stuetemperatur ved 10°C – 40°C. Lad altid en varm akku få tid til at køle af, inden den oplades.**
4. **Oplad akkuen en gang hver sjette måned, hvis den ikke anvendes i et længere tidsrum.**

FUNKTIONSBESKRIVELSE

⚠ FORSIGTIG:

- Sørg altid for at værktøjet er slukket, og at akkuen er taget ud, før der udføres justering eller kontrol af funktioner på værktøj.

Isætning og udtagning af akku (Fig. 1)

- Sluk altid for maskinen, før akkuen installeres eller tages ud.
- **Hold godt fast i værktøjet og akkuen, når akkuen installeres eller fjernes.**
Forsømmelse af at holde maskinen og akkuen fast kan bevirke, at de glider af hænde med beskadigelse af maskinen og akkuen og tilskadekomst til følge.

For at fjerne akkuen, skal man skyde den fra værktøjet, idet man skyder knappen på forsiden af akkuen i stilling. For at installere akkuen, skal man sætte tungen på akkuen ud for rillen i huset og skyde den på plads. Sæt den hele vejen ind, så den låses på plads med et lille klik. Hvis den røde indikator på oversiden af knappen er synlig, betyder det, at den ikke er helt låst.

⚠ FORSIGTIG:

- Sæt altid akkuen helt ind, så den røde indikator ikke kan ses. Hvis den ikke er sat helt ind, kan den ved et uheld falde ud af værktøjet, hvorved omkringstående eller De selv kan komme til skade.
- Sæt ikke akkuen i med magt. Hvis akkuen ikke glider nemt på plads, betyder det, at den ikke sættes korrekt i.

Akku-beskyttelsessystem (lithium-ion akku med et stjernemærke) (Fig. 2)

Lithium-ion akkuer med et stjernemærke er udstyret med et beskyttelsessystem. Dette system afbryder automatisk strømmen til maskinen, så akkuens levetid bliver længere.

Maskinen stopper automatisk under driften, hvis den og/eller akkuen kommer i en af følgende situationer:

- **Overbelastet:**
Maskinen anvendes på en måde, der bevirker, at den forbruger abnormt høj strøm.
Slip i denne situation afbryderknappen på maskinen og stop den anvendelse, der bevirkede, at maskinen blev overbelastet. Tryk derefter afbryderknappen ind igen for at starte igen.
Hvis maskinen ikke starter, er akkuen overophedet. Lad i dette tilfælde akkuen køle af, inden afbryderknappen trykkes ind igen.
- **Lav akku-spænding:**
Den tilbageværende akku-kapacitet er for lav, og maskinen vil ikke fungere. Fjern i denne situation akkuen fra maskinen og oplad den.

Afbryderknappbetjening (Fig. 3)

FORSIGTIG:

- Før akkuen sættes i værktøjet, bør De altid kontrollere, at afbryderknappen fungerer korrekt og returnerer til "OFF" positionen, når den slippes.

For at forhindre utilsigtet indtrykning af afbryderknappen er værktøj forsynet med en låseknop.

For at starte værktøjet trykkes låseknappen ind, hvorefter der trykkes på afbryderknappen. Slip afbryderknappen for at standse.

SAMLING

⚠ FORSIGTIG:

- Sørg altid for at maskinen er slukket, og at akkuen er taget ud, før der udføres noget arbejde på maskinen.

Montering og afmontering af savkæde

⚠ FORSIGTIG:

- Kontrollér altid, at værktøjet er slået fra, og at akkuen er fjernet, før De monterer eller afmonterer savkæden.
- Bær altid beskyttelseshandsker, når De monterer eller afmonterer savkæden.
- Anvend kun savkæden og sværdet med en sværdspids, som er beregnet til denne kædesav (se uddraget af reservedelslisten).
- For at forhindre tilbageslag må man ikke fjerne sværdspidsen eller skifte sværdet ud med et uden spids.

Løsn skruen ved at dreje drejeknappen i retningen mod uret, indtil kædehjulsdækslet går af. (Fig. 4)

Tag kædehjulsdækslet af.

Fjern savkæden og sværdet fra værktøjet.

Sæt den ene ende af savkæden på toppen af sværdet. Sæt på dette tidspunkt savkæden på som vist på illustrationen, da den drejer i retningen vist med pilen. (Fig. 5)

Anbring savkæden således, at fjederen er placeret inden i den, og anbring den anden ende af savkæden omkring kædehjulet som vist på illustrationen. (Fig. 6)

Drej sværdet i retningen mod uret og anbring det samtidigt således, at enden af sværdet kontakter fjederen. (Fig. 7)

Sæt krogen på kædehjulsdækslet ind i hullet i værktøjet og anbring derefter kædehjulsdækslet på værktøjet. (Fig. 8)

Drej drejeknappen i retningen med uret for at stramme skruen godt til. (Fig. 9)

Indstilling af kædesavens spænding (Fig. 10 og 11)

Hvis skruen blot løsnes en smule, kan savkædens spænding indstilles. Stram skruen godt til, når indstillingen er udført.

⚠ FORSIGTIG:

- Lige efter at den nye savkæde er monteret, vil den i et stykke tid have tendens til at blive løs. Kontroller derfor af og til savkædens spænding inden brugen.
- Hvis savkædens spænding er lav, kan den blive fejlplaceret.
- Installation og aftagning af savkæden bør udføres på et ryddeligt sted, sov er fri for savsmuld og lignende.

Barkstøtte (ekstraudstyr) (Fig. 12)

Hvis De vil påmontere en barkstøtte, skal De følge nedenstående trin:

1. Fjern kædehjulsdækslet, savkæden og sværdet, som beskrevet i denne brugsvejledning.
2. Match hullerne i barkstøtten med hullerne i kædesaven.
3. Spænd barkstøtten godt fast med skruer.

ANVENDELSE

Smøring (Fig. 13)

Savkæden smøres automatisk, når værktøjet er i brug. Kontroller mængden af tilbageværende olie i olietanken gennem oleiinspektionsruden.

For at fylde tanken op, skal man tage hættten af olietankåbningen.

Når tanken er fyldt op, skal man altid skrue den medfølgende olietankhætte på kædesaven.

⚠ FORSIGTIG:

- Når kædesaven for første gang fyldes op med kædeolie, eller tanken fyldes op igen, efter at den er blevet helt tom, skal der påfyldes olie op til bundkanten af påfyldningsstudsden. Hvis dette ikke gøres, kan oliefor-syningen blive mangelfuld.
- Mht. savkædeolie, skal der udelukkende anvendes olie beregnet til Makita-kædesave eller olie, som fås i handelen.
- Anvend aldrig olie, som indeholder snavs og partikler eller flygtig olie.
- Ved beskæring af træer skal der anvendes planteolie. Anvendelse af mineralsk olie kan skade træerne.
- Pres aldrig kædesaven uden beskæring af træer.
- Bekræft, inden skæringen påbegyndes, at den medfølgende olietankhætte er skruet på plads.

Hold kædesaven væk fra træet. Start den og vent, indtil smøremidlet på saven er tilstrækkeligt.

Bring næsestyret/den nedre del af sværdet i kontakt med den gren, som skal skæres, inden De tænder for saven. Skæring uden at næsestyret/det nedre del af sværdet er i kontakt med grenen, kan bewirke, at sværdet kaster sig med tilskadekomst af operatøren som resultat. Sav i det træ, der skal skæres, ved blot at føre saven nedad.

Beskæring af træer

⚠ FORSIGTIG:

- Hold alle kropsdele væk fra savkæden, når motoren er i gang.
- Hold fast på saven med begge hænder, når motoren kører.
- Stræk ikke armene for langt ud. Sørg hele tiden for sikkert fodfæste og balance.

Bring næsestyret/den nedre del af sværdet i kontakt med den gren, som skal skæres, inden De tænder for saven. Hvis man skærer uden at bringe næsestyret/den nedre del af sværdet i kontakt med grenen, kan dette bewirke, at sværdet kaster sig med tilskadekomst af operatøren som resultat. (Fig. 14 og 15)

Når der saves tykke grene, skal der først laves en lille undersavning, hvorefter der færdigsaves ovenfra. (Fig. 16)

Hvis man forsøger at save tykke grene nedenfra, kan grenen brække nedad og klemme fast om sværdet. Hvis man forsøger at save tykke grene ovenfra uden at lave en lille undersavning, vil grenen flække. (Fig. 17)

Hvis man ikke kan save igennem emnet i et snit:

Sav med et let tryk samtidig med at saven trækkes lidt tilbage, sværdspsiden skærer sig lidt nedad og snittet færdiggøres ved at håndtaget løftes opad. (Fig. 18)

Når saven skal bæres (Fig. 19)

Fjern altid akkuen og dæk sværdet med skeden, før værktøj bæres. Tildæk også akkuen med akkudækslet.

VEDLIGEHOLDELSE

⚠ FORSIGTIG:

- Sørg altid for at værktøj er slukket, og at akkuen er taget ud, for der udføres eftersyn eller vedligeholdelse på værktøj.
- Bær altid beskyttelseshandsker, når der udføres eftersyn eller vedligeholdelse.
- Anvend aldrig benzin, rensebenzin, fortynder, alkohol og lignende. Resultatet kan blive misfarvning, deformation eller revner.

Skærping af savkæden

⚠ FORSIGTIG:

- Tag altid akkuen ud og brug sikkerhedshandsker, når De udfører arbejde på savkæden.

Skærp savkæden, hvis:

- der frembringes meget savsmuld, når der skæres i fugtigt træ,
- kæden kun gennemskærer træet med besvær, selv hvis der anvendes et kraftigt tryk,
- skærekanten er klart ødelagt,
- saven trækker til venstre eller højre i træet. Årsagen til dette fænomen er uensartet skærping af savkæden eller beskadigelse af kun den ene side. (Fig. 20)

Skærp savkæden hyppigt, men fjern kun en smule materiale hver gang.

To eller tre strøg med en fil er sædvanligvis tilstrækkeligt til at udføre en almindelig skærping. Når savkæden er blevet skærpet adskillige gange, skal den skærpes af en MAKITA-butik med speciale i reparationer.

Fil og korrekt anvendelse af fil (Fig. 21)

- Anvend en speciel rund fil (ekstraudstyr) til savkæder med en diameter på 4 mm til at skærpe kæden. Almindelige runde filer er ikke egnede.
- Filen bør kun være i kontakt med materialet ved fremadstrøget. Hæv filen fra materialet ved returstrøget.
- Skærp det korteste skærende led først. Længden af dette skærende led er så måledimensionen for alle andre skærende led på kædesaven.
- Før filen som vist på illustrationen.
- Det er nemmere at føre filen, hvis en filholder (tilbehør) anvendes. Filholderen har afmærkninger til den korrekte skærpningsvinkel på 30° (sæt afmærkningerne parallelt med savkæden) og begrænser dybden af gennemskæringen (til 4/5 af fildiameteren).

Før filen som vist på illustrationen. (Fig. 22)

- Kontroller, når kæden er skærpet, højden af dybdemåleren ved hjælp af kædemålerværktøjet (ekstraudstyr).
- Fjern alt fremspringende materiale, hvor småt det end måtte være, ved hjælp af en speciel flad fil (ekstraudstyr).
- Afrund forsiden af dybdemåleren igen.
- Skyl snavs og partikler bort fra savkæden, når dybdemålerens højde er indstillet.

Rengøring af sværd (Fig. 23)

Spåner og savsmuld samler sig i sværdrillen, tilstopper den og vanskeliggør oliestrømningen. Fjern altid spåner og savsmuld, når savkæden hvæsses eller udskiftes.

Rengøring af oliefilteret ved olieudløbshullet

Små støv- og andre partikler kan samle sig i oliefilteret ved olieudløbshullet under arbejdet.

Små støv- og andre partikler, som får lov til at samle sig i oliefilteret, kan forringe olieudløbsstrømmen og medføre en utilstrækkelig smøring af hele savkæden.

Rengør filteret som vist herunder, hvis oliestrømmen er for svag ved toppen af sværdet.

Tag akkuen ud af værktøjet.

Fjern kædehjulsdækslet og savkæden fra værktøjet. (Se ansnittet "Montering og afmontering af savkæden").

Fjern trykmøtrikken ved hjælp af en kærvskruetrækker med et smalt skaft eller lignende. (Fig. 24)

Tag filteret ud af kædesaven og fjern små støv- og andre partikler fra det. Hvis filteret er for snavset, skal det skiftes ud med et nyt. (Fig. 25)

Sæt akkuen i værktøjet.

Tryk på afbryderknappen for at fjerne akkumulerede støv- og andre partikler bort fra olieudløbshullet ved at lade kædeolie flyde ud. (Fig. 26)

Tag akkuen ud af værktøjet.

Sæt det rengjorte oliefilter i olieudløbshullet. Hvis filteret er for snavset, skal det skiftes ud med et nyt. (Fig. 27)

Sæt trykmøtrikken med den rigtige side opad som vist på illustrationen i olieudløbshullet for at fastgøre filteret. Hvis filteret ikke kan fastgøres med en fejlformet trykmøtrik, skal trykmøtrikken skiftes ud med en ny. (Fig. 28)

Monter kædehjulsdækslet og savkæden på værktøjet igen.

Udskiftning af kædehjulet (Fig. 29 og 30)

Kontroller kædehjulets tilstand, inden en ny savkæde monteres.

FORSIGTIG:

- Et udtjent kædehjul vil beskadige en ny savkæde. I sådant et tilfælde skal kædehjulet skiftes ud med et nyt. Kædehjulet skal monteres således, at det altid vender som vist på illustrationen.

Sæt altid den nye låsering på, når kædehjulet skiftes ud.

Udskiftning af kul (Fig. 31 og 32)

Udtag og efterse kullene med regelmæssige mellemrum. Udskift kullene, når de er slidt ned til slidmarkeringen. Hold kullene rene og i stand til frit at glide ind i holderne. Begge kul skal udskiftes parvist samtidigt. Anvend kun identiske kulbørster.

Benyt en skruetrækker til at afmontere kulholderdækslerne. Tag de slidte kul ud, isæt de nye og fastgør derefter kulholderdækslerne.

Opbevaring af værktøj

Rengør værktøjet, inden den lægges til opbevaring. Fjern alle savspåner fra værktøjet, efter at kædehjulsdækslet er taget af. Når værktøjet er rengjort, skal den køres uden belastning for at smøre savkæden og sværdet.

Dæk sværdet med skeden.

Fjern olie fra olietanken for at tømme den, og anbring kædesaven med tankhætten opad.

For at opretholde produktets SIKKERHED og PÅLIDELIGHED bør reparation, vedligeholdelse og justering kun udføres af et Makita Service Center med anvendelse af originale Makita udskiftningsdele.

Vejledning i periodisk vedligeholdelse

Hvis De vil sikre Deres kædesav en lang levetid, undgå skader og sikre, at sikkerhedsanordningerne fungerer fuldt ud, bør De regelmæssigt gennemføre følgende vedligeholdelse.

Garantikrav godtages kun, hvis dette arbejde er blevet udført regelmæssigt og korrekt. Såfremt den foreskrevne vedligeholdelse ikke udføres, kan det medføre ulykker!

Operatøren af kædesaven bør ikke udføre vedligeholdelsesarbejde, der ikke er beskrevet i denne brugsvejledning. Alt sådant arbejde bør udelukkende udføres af et autoriseret servicecenter.

Emne	Driftstid						
		Før brug	Hver dag	Hver uge	Hver 3. måned	Årligt	Før opbevaring
Kædesav	Kontrol.	<input type="radio"/>					
	Rengøring.		<input type="radio"/>				
	Kontrolleres på autoriseret servicecenter.					<input type="radio"/>	<input type="radio"/>
Savkæde	Kontrol.	<input type="radio"/>					
	Skærpes om nødvendigt.						<input type="radio"/>
Sværd	Kontrol.	<input type="radio"/>	<input type="radio"/>				
	Tages af kædesaven.						<input type="radio"/>
Smøring af kæden	Kontrollér olietilførslen.	<input type="radio"/>					
Afbryderknap	Kontrol.	<input type="radio"/>					
Låseknap	Kontrol.	<input type="radio"/>					
Olietankhætte	Kontrollér spændingen.	<input type="radio"/>					
Kædefanger	Kontrol.			<input type="radio"/>			
Skruer og møtrikker	Kontrol.			<input type="radio"/>			

014813

FEJLSØGNING

Inden De sender kædesaven til reparation, bør De foretage Deres egen inspektion. Hvis De finder et problem, der ikke er forklaret i brugsvejledningen, bør De ikke forsøge at skille værktøjet ad. Kontakt i stedet Makitas autoriserede servicecenter, og få altid anvendt originale Makita reservedele ved reparationen.

Fejl	Årsag	Løsning
Kædesaven vil ikke starte.	Akku er ikke sat i.	Sæt akkuen korrekt i.
	Akku-problem (underspænding).	Genoplad akkuen. Hvis opladning ikke løser problemet, bør akkuen udskiftes.
Motoren standser efter kort tids brug.	Akkuens opladningsniveau er lavt.	Genoplad akkuen. Hvis opladning ikke løser problemet, bør akkuen udskiftes.
Ingen olie på kæden.	Olietanken er tom.	Fyld olietanken.
	Olieføringssporet er snavset.	Rengør olieføringssporet.
	Fejlfunktion af oliepumpe.	Send kædesaven til reparation hos dit lokale autoriserede servicecenter.
Saven når ikke op på maks. omdrejningshastighed.	Akkuen er sat forkert i.	Sæt akkuen i som beskrevet i denne brugervejledning.
	Akkuens opladningsniveau er lavt.	Genoplad akkuen. Hvis opladning ikke løser problemet, bør akkuen udskiftes.
	Drivsystemet fungerer ikke korrekt.	Send kædesaven til reparation hos dit lokale autoriserede servicecenter.
Kæden stopper ikke: Afbryd omgående maskinen!	Fejlfunktion af afbryder.	Send kædesaven til reparation hos dit lokale autoriserede servicecenter.
Abnorme vibrationer: Afbryd omgående maskinen!	Sværdet eller savkæden er løs.	Justér sværdet og savkædens spænding.
	Funktionsfejl på værktøjet.	Send kædesaven til reparation hos dit lokale autoriserede servicecenter.

014814

EKSTRAUDSTYR

ENG905-1

FORSIGTIG:

- Det følgende tilbehør og ekstraudstyr er anbefalet til brug med Deres Makita maskine, der er beskrevet i denne brugsanvisning. Anvendelse af andet tilbehør eller ekstraudstyr kan udgøre en risiko for personskade. Anvend kun tilbehør og ekstraudstyr til det beskrevne formål.

Hvis De har behov for yderligere detaljer om dette tilbehør, bedes De kontakte Deres lokale Makita Servicecenter.

- Forskellige typer originale Makita-akkuer og opladere
- Savkæde
- Skede
- Komplet sværd
- Fil

BEMÆRK:

- Nogle ting på denne liste kan være inkluderet i værktøjspakken som standardtilbehør. Det kan være forskellige fra land til land.

Støj

Det typiske A-vægtede støjniveau bestemt i overensstemmelse med EN60745:

Model DUC122

Lydtryksniveau (L_{pA}): 84,6 dB (A)
Lydeffektniveau (L_{WA}): 92,7 dB (A)
Usikkerhed (K): 2 dB (A)

Bær høreværn

ENG900-1

Vibration

Vibrations totalværdi (tre-aksial vektorsum) bestemt i overensstemmelse med EN60745:

Model DUC122

Arbejdsformål: skæring af træ
Vibrationsafgivelse (a_h): 4,3 m/s²
Usikkerhed (K): 1,5 m/s²

- Den angivne vibrationsemissionsværdi er blevet målt i overensstemmelse med standardtestmetoden og kan anvendes til at sammenligne en maskine med en anden.
- Den angivne vibrationsemissionsværdi kan også anvendes i en preliminær eksponeringsvurdering.

⚠ ADVARSEL:

- Vibrationsemissionen under den faktiske anvendelse af maskinen kan være forskellig fra den erklærede emissionsværdi, afhængigt af den måde, hvorpå maskinen anvendes.
- Sørg for at identificere de sikkerhedsforskrifter til beskyttelse af operatøren, som er baseret på en vurdering af eksponering under de faktiske brugsforhold (med hensyntagen til alle dele i brugscyklen, som f.eks. de gange, hvor maskinen er slukket og når den kører i tomgang i tilgift til afbrydertiden).

ENH030-5

Kun for lande i Europa

EU-konformitetserklæring

Makita erklærer, at den følgende maskine (maskiner):

Maskinens betegnelse:

Akku-kædesav

Model nr./Type: DUC122

Specifikationer: Se oversigten "SPECIFIKATIONER".

Er i overensstemmelse med de europæiske direktiver:

2000/14/EU, 2006/42/EU

De er fremstillet i overensstemmelse med den følgende standard eller standardiserede dokumenter:

EN ISO 11681-2

EU-undersøgelsens certifikatnr. 4814056.14009

EU-typeundersøgelsen pr. 2006/42/EU er foretaget af:

DEKRA Testing and Certification GmbH

Enderstraße 92b

01277 Dresden

Tyskland

Identifikation nr. 2140

Den tekniske fil, som er i overensstemmelse med 2006/42/EU, er tilgængelig fra:

Makita, Jan-Baptist Vinkstraat 2, 3070, Belgien

Den procedure for konformitetsfastsættelse, som kræves i Direktiv 2000/14/EU, er fundet i overensstemmelse med tillæg V.

Målt lydbelastningsniveau: 93 dB (A)

Garanteret lydbelastningsniveau: 95 dB (A)

23.9.2014



Yasushi Fukaya

Direktør

Makita, Jan-Baptist Vinkstraat 2, 3070, Belgien

Περιγραφή γενικής άποψης

1 Κόκκινη ένδειξη	11 Βέλος	21 Θήκη (κάλυμμα αλυσίδας)
2 Πλήκτρο	12 Ελατήριο	22 Περικόχλιο ώθησης
3 Κασετίνα μπαταρίας	13 Οδοντωτός τροχός	23 Κατσαβίδι με ίσια μύτη (συνθιτισμένο κατσαβίδι)
4 Ένδειξη αστεριού	14 Άγκιστρο	24 Φίλτρο
5 Πλήκτρο ασφάλειας	15 Οπή	25 Ασφαλιστικός δακτύλιος
6 Σκανδάλη διακόπτης	16 Πώμα του δοχείου ελαίου	26 Ροδέλα
7 Κάλυμμα του οδοντωτού τροχού	17 Παράθυρο ελέγχου στάθμης ελαίου	27 Σημάδι ορίου
8 Κουμπί	18 Άνοιγμα δοχείου ελαίου	28 Καπάκι θήκης ψήκτρας
9 Κόπτης	19 Οδηγός άκρου	29 Κατσαβίδι
10 Κατευθυντήρια λάμα	20 Κάτω οδηγό	

ΤΕΧΝΙΚΑ ΧΑΡΑΚΤΗΡΙΣΤΙΚΑ

Μοντέλο		DUC121	DUC122
Στάνταρ κατευθυντήρια λάμα	Μήκος κατευθυντήριας λάμας	115 mm	
	Μήκος κοπής	11,5 cm	
	Τύπος	Ράβδος λάξευσης	
Στάνταρ αλυσοπρίονο	Τύπος	25 AP	
	Βήμα	6,35 mm (1/4")	
	Βάθος	1,3 mm (0,05")	
	Αρ. κινητήριων συνδέσμων	42	
Οδοντωτός τροχός	Αριθμός δοντιών	9	
	Βήμα	6,35 mm (1/4")	
Συνολικό μήκος		422 mm	
Καθαρό Βάρος		2,5 kg	2,6 kg
Ταχύτητα αλυσίδας ανά λεπτό (min ⁻¹)		4,8 m/s (290 m/min)	5,0 m/s (300 m/min)
Όγκος δοχείου λαδιού αλυσίδας		80 cm ³	
Εξοδος		D.C. 14,4 V	D.C. 18 V

- Λόγω του συνεχιζόμενου προγράμματος έρευνας και ανάπτυξης, οι παρούσες προδιαγραφές υπόκεινται σε αλλαγή χωρίς προειδοποίηση.
 - Τα τεχνικά χαρακτηριστικά και η κασέτα μπαταρίας μπορεί να διαφέρουν από χώρα σε χώρα.
 - Βάρος, με κασέτα μπαταρίας, σύμφωνα με τη διαδικασία ΕΡΤΑ 01/2003
- ΠΡΟΕΙΔΟΠΟΙΗΣΗ: Χρησιμοποιήστε τον κατάλληλο συνδυασμό της κατευθυντήριας λάμας και αλυσοπρίονου. Διαφορετικά, μπορεί να προκύψει προσωπικός τραυματισμός.

ENE090-1

Προοριζόμενη ρήση

Το εργαλείο προορίζεται για την κοπή κλαριών / κλάδεμα δέντρων. Είναι επίσης κατάλληλο για την περιποίηση δέντρων.

Γενικές προειδοποιήσεις ασφαλείας για το ηλεκτρικό εργαλείο

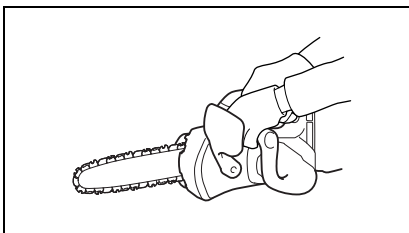
GEA010-1

⚠ ΠΡΟΕΙΔΟΠΟΙΗΣΗ Διαβάστε όλες τις προειδοποιήσεις ασφαλείας και όλες τις οδηγίες. Η μη τήρηση των προειδοποιήσεων και οδηγιών ενδέχεται να καταλήξει σε ηλεκτροπληξία, πυρκαγιά ή/και σοβαρό τραυματισμό.

Φυλάξτε όλες τις προειδοποιήσεις και τις οδηγίες για μελλοντική παραπομπή.

ΑΛΥΣΟΠΡΙΟΝΟ ΧΩΡΊΣ ΚΑΛΩΔΙΟ — ΠΡΟΕΙΔΟΠΟΙΗΣΕΙΣ ΑΣΦΑΛΕΙΑΣ:

1. **Να φροντίζετε ώστε όλα τα μέρη του σώματος να βρίσκονται σε απόσταση από το αλυσοπρίονο, όταν αυτό λειτουργεί.** Πριν από την εκκίνηση του αλυσοπρίονου, βεβαιωθείτε ότι το αλυσοπρίονο δεν έρχεται σε επαφή με οτιδήποτε. Μια στιγμή απροσεξίας στη διάρκεια χειρισμού ενός αλυσοπρίονου αρκεί για να προκαλέσει εμπλοκή του αλυσοπρίονου σε μέρος του ρουχισμού ή του σώματος.
2. **Όταν κρατάτε με τα δύο χέρια, να κρατάτε το αλυσοπρίονο με το δεξι χέρι στην πίσω λαβή και το αριστερό χέρι στην μπροστινή λαβή.** Σε περίπτωση κρατήματος του αλυσοπρίονου με αντίστροφο σχηματισμό χεριών αυξάνει ο κίνδυνος προσωπικού τραυματισμού και δεν θα πρέπει να χρησιμοποιείται ποτέ.
3. **Κρατήστε το ηλεκτρικό εργαλείο μόνον από τις μονωμένες επιφάνειες συγκράτησης, επειδή ενδέχεται το πρίονι να έλθει σε επαφή με κρυφές καλωδιώσεις.** Σε περίπτωση επαφής της αλυσίδας κοπής με “ηλεκτροφόρο” καλώδιο, τα εκτεθειμένα μεταλλικά εξαρτήματα του ηλεκτρικού εργαλείου ενδέχεται να καταστούν τα ίδια “ηλεκτροφόρα” και να προκαλέσουν ηλεκτροπληξία στον χειριστή.
4. **Να φοράτε γυαλιά ασφαλείας και προστατευτικά ακοής.** Συνιστάται η χρήση περαιτέρω εξοπλισμού προστασίας κεφαλής, χεριών, κνημών και πελμάτων. Ο επαρκής ρουχισμός προστασίας μειώνει τον κίνδυνο προσωπικού τραυματισμού λόγω εκτινασόμενων θραυσμάτων ή τυχαίας επαφής με το αλυσοπρίονο.
5. **Να στέκεστε πάντα σταθερά.** Οι ολισθηρές ή ασταθείς επιφάνειες μπορεί να προκαλέσουν απώλεια της ισορροπίας ή του ελέγχου του αλυσοπρίονου.
6. **Κατά την κοπή κλαδιού που είναι τεντωμένο, να είστε προσεκτικοί σε περίπτωση εκτίναξης προς τα πίσω.** Κατά την απελευθέρωση της έντασης στις ίνες του ξύλου, το κλαδί που βρίσκεται υπό ένταση ενδέχεται να χτυπήσει το χειριστή ή/και να προκαλέσει απώλεια ελέγχου του αλυσοπρίονου.
7. **Να είστε εξαιρετικά προσεκτικοί κατά την κοπή χαμόδεντρων και δενδρυλλίων.** Το λεπτό υλικό ενδέχεται να σκαλώσει στην αλυσίδα του αλυσοπρίονου και να εκτιναχθεί προς το μέρος σας ή να προκαλέσει απώλεια της ισορροπίας σας.
8. **Να μεταφέρετε το αλυσοπρίονο κρατώντας το από τη μπροστινή λαβή και μακριά από το σώμα σας, όταν βρίσκεται εκτός λειτουργίας.** Κατά τη μεταφορά ή φύλαξη του αλυσοπρίονου, να τοποθετείτε πάντα το κάλυμμα της κατευθυντήριας λάμας. Ο κατάλληλος χειρισμός του αλυσοπρίονου μειώνει την πιθανότητα τυχαίας επαφής με την κινούμενη αλυσίδα.
9. **Να τηρούνται οι οδηγίες λίπανσης, τάνυσης της αλυσίδας και αλλαγής παρελκομένων.** Η ακατάλληλη τάνυση ή λίπανση της αλυσίδας ενδέχεται να προκαλέσει θραύση της ή αυξημένη πιθανότητα ανάκρουσης (οπισθολάκτισμα).
10. **Να φροντίζετε ώστε οι λαβές να διατηρούνται στεγνές, καθαρές και χωρίς ίχνη ελαίου ή γράσου.** Οι λαβές με ίχνη γράσου ή ελαίου είναι ολισθηρές και προκαλούν απώλεια ελέγχου.
11. **Να χρησιμοποιείται για την κοπή ξύλων μόνο. Να μη χρησιμοποιείτε το αλυσοπρίονο για σκοπούς για τους οποίους δεν προορίζεται. Για παράδειγμα: μη χρησιμοποιείτε το αλυσοπρίονο για την κοπή πλαστικών, τοιχοποιίας ή μη ξύλινων οικοδομικών υλικών.** Η χρήση του αλυσοπρίονου για σκοπούς διαφορετικούς από τους προβλεπόμενους θα μπορούσε να καταλήξει σε επικίνδυνη κατάσταση.
12. **Αίτια και πρόληψη ανάκρουσης (οπισθολάκτισμα) από το χειριστή:**
Η ανάκρουση (οπισθολάκτισμα) ενδέχεται να προκληθεί, όταν η μύτη ή το άκρο της κατευθυντήριας λάμας ακουμπήσει σε ένα αντικείμενο, ή όταν τα δύο τεμάχια του ξύλου κλείσουν και προκαλέσουν σύσφιξη της αλυσίδας μέσα στην τομή.
Σε ορισμένες περιπτώσεις, η επαφή του άκρου ενδέχεται να προκαλέσει ξαφνική ανάστροφη αντίδραση, λακτίζοντας την κατευθυντήρια λάμα προς τα άνω και πίσω προς το μέρος του χειριστή.
Η σύσφιξη της αλυσίδας σε κάποιο σημείο του άνω μέρους της κατευθυντήριας λάμας ενδέχεται να ωθήσει τη λάμα τάχιστα προς τα πίσω προς το μέρος του χειριστή.
Οποιαδήποτε από αυτές τις αντιδράσεις ενδέχεται να προκαλέσει απώλεια ελέγχου του αλυσοπρίονου, πράγμα το οποίο θα μπορούσε να καταλήξει σε σοβαρό προσωπικό τραυματισμό. Μην επαφίστε αποκλειστικά και μόνο στις ενσωματωμένες διατάξεις ασφαλείας του αλυσοπρίονου. Ως χειριστής αλυσοπρίονου, θα πρέπει να λαμβάνετε ορισμένα μέτρα ασφαλείας ώστε να προλαμβάνετε τυχόν ατυχήματα ή τραυματισμούς κατά την εργασία κοπής.
Η ανάκρουση (οπισθολάκτισμα) είναι αποτέλεσμα κακής χρήσης ή/και εσφαλμένων διαδικασιών ή συνθηκών χειρισμού και είναι δυνατόν να αποφευχθεί λαμβάνοντας κατάλληλες προφυλάξεις, όπως περιγράφεται κατωτέρω:
– **Κρατήστε σταθερά, με τα δάχτυλα και τους αντίχειρες γύρω από τις λαβές του αλυσοπρίονου, με τα δύο χέρια πάνω στο αλυσοπρίονο και τοποθετήστε σώμα και βραχίονες έτσι ώστε να ασκείται αντίσταση στις δυνάμεις ανάκρουσης (οπισθολάκτισμα).** Ο έλεγχος των δυνάμεων ανάκρουσης (οπισθολάκτισμα) από το χειριστή είναι εφικτός, εάν ληφθούν οι κατάλληλες προφυλάξεις. Μην επιτρέψτε να σας φύγει το αλυσοπρίονο.



014673

Προειδοποιήσεις ασφάλειας ειδικές του αλυσοπριονίου με πάνω λαβή

1. Αυτό το αλυσοπρίονο είναι σχεδιασμένο ειδικά για τη φροντίδα και το κλάδεμα δέντρων. Το αλυσοπρίονο προορίζεται για χρήση μόνο από σωστά εκπαιδευμένα άτομα. Τηρήστε όλες τις οδηγίες, διαδικασίες και συστάσεις από τον αρμόδιο επαγγελματικό οργανισμό. Διαφορετικά, μπορεί να προκύψουν μοιραία ατυχήματα. Συνιστάται να χρησιμοποιείται πάντα ανυψωτική πλατφόρμα (εξέδρα διαφυγής, αναβατήρας) για το πρίονισμα στα δέντρα. Οι τεχνικές στις οποίες χρησιμοποιείται σκονί είναι εξαιρετικά επικίνδυνες και απαιτούν ειδική εκπαίδευση. Οι χειριστές πρέπει να εξοικειωθούν με τη χρήση εξοπλισμού ασφάλειας και τεχνικές ανάβασης. Να χρησιμοποιείτε πάντα τους κατάλληλους μίαντες, σκονιά και καραμπίνερ όταν εργάζεστε σε δέντρα. Να χρησιμοποιείτε πάντα εξοπλισμό συγκράτησης για το χειριστή και το πρίονι.
 2. Πριν την αποθήκευση, διεξαγάγετε καθαρισμό και συντήρηση σύμφωνα με το εγχειρίδιο οδηγιών.
 3. Φροντίστε για την ασφαλή τοποθέτηση του αλυσοπριονίου κατά τη μεταφορά σε αυτοκίνητο προκειμένου να αποφευχθεί η διαρροή καυσίμου ή λαδιού αλυσίδας, η ζημιά στο εργαλείο και ο προσωπικός τραυματισμός.
 4. Μην συμπληρώνετε με λάδι αλυσίδας κοντά σε φωτιά. Μην καπνίζετε ποτέ όταν συμπληρώνετε με λάδι αλυσίδας.
 5. Ο εθνικός κανονισμός μπορεί να περιορίζει τη χρήση αλυσοπριονίου.
 6. Αν ο εξοπλισμός δεχτεί δυνατή πρόσκρουση ή πτώση, ελέγξτε την κατάσταση πριν συνεχίσετε την εργασία. Ελέγξτε αν υπάρχει δυσλειτουργία στις συσκευές ελέγχου και ασφάλειας. Αν υπάρχει ζημιά ή αν έχετε αμφιβολίες, ζητήστε από το εξουσιοδοτημένο κέντρο σέρβις μας να πραγματοποιήσει επιθεώρηση και επισκευή.
 7. Κρατήστε το πρίονι σταθερά για να αποφύγετε το πατινάρισμα (κίνηση γλιστρήματος) ή την αναπήδηση του πριονιού όταν ξεκινάτε μια κοπή.
 8. Στο τέλος της κοπής, προσέχετε ώστε να κρατήσετε την ισορροπία σας εξαιτίας της “πτώσης”.
 9. Λάβετε υπόψη την κατεύθυνση και την ταχύτητα του ανέμου. Αποφύγετε τα πριονίδια και το νέφος του λαδιού αλυσίδας.
13. Πριν από την έναρξη της εργασίας, βεβαιωθείτε ότι το αλυσοπρίονο είναι σε καλή κατάσταση λειτουργίας και ότι η κατάσταση του συμμορφώνεται με τους κανονισμούς ασφαλείας. Συγκεκριμένα, ελέγξτε τα εξής:
- Το φρένο ανάσχεσης περιστροφής ηλεκτροκινητήρα λειτουργεί κατάλληλα.
 - Το κάλυμμα της λάμας και το κάλυμμα οδοντωτού τροχού έχει τοποθετηθεί κατάλληλα.
 - Η αλυσίδα έχει ακονιστεί και τεντωθεί σύμφωνα με τους κανονισμούς.
14. **Μην θέσετε το αλυσοπρίονο σε λειτουργία όταν το κάλυμμα της αλυσίδας δεν έχει αφαιρεθεί.** Εάν θέσετε το αλυσοπρίονο σε λειτουργία όταν το κάλυμμα της αλυσίδας δεν έχει αφαιρεθεί, ενδέχεται να προκληθεί εκτίναξη του καλύμματος προς τα εμπρός με αποτέλεσμα τραυματισμό και την πρόκληση ζημίας σε αντικείμενα που βρίσκονται στο χώρο γύρω από το χειριστή.

Προστατευτικός εξοπλισμός

1. Προκειμένου να αποφύγετε τους τραυματισμούς στο κεφάλι, στα μάτια, στα χέρια ή στα πόδια, καθώς και να προστατεύσετε την ακοή σας, πρέπει να χρησιμοποιείτε τον ακόλουθο προστατευτικό εξοπλισμό κατά τη διάρκεια της λειτουργίας του αλυσοπριονίου:
 - Το είδος των ρούχων πρέπει να είναι κατάλληλο, δηλ. πρέπει να είναι εφαρμοστά αλλά να μην σας εμποδίζουν. Μην φοράτε κοσμημάτα ή ρούχα τα οποία μπορούν να μπλεχτούν σε θάμνους και κλαδιά. Αν έχετε μακριά μαλλιά, να φοράτε πάντα φιλέ!

- Είναι απαραίτητο να φοράτε προστατευτικό κράνος όταν εργάζεστε με το αλυσοπρίονο. Το **προστατευτικό κράνος** πρέπει να ελέγχεται σε τακτά χρονικά διαστήματα για ζημιά και πρέπει να αντικαθιστάται μετά από 5 χρόνια το αργότερο. Να χρησιμοποιείτε μόνο εγκεκριμένα προστατευτικά κράνη.
- Η **προσωπίδα** του προστατευτικού κράνους (ή των γυαλιών) προστατεύει από τα πριονίδια και τα μικρά κομμάτια ξύλου. Κατά τη λειτουργία του αλυσοπρίονου, να φοράτε πάντα προστατευτικά γυαλιά ή προσωπίδα ώστε να αποφευχθούν οι τραυματισμοί των ματιών.
- Φοράτε επαρκή **εξοπλισμό προστασίας της ακοής** (προστατευτικά ακοής, ωτοασπίδες, κτλ.)
- Το **προστατευτικό μπουφάν** αποτελείται από 22 στρώματα νάιλον και προστατεύει τον χειριστή από την κοπή. Πρέπει πάντα να το φοράτε όταν εργάζεστε από ανυψωτικές πλατφόρμες (εξέδρες διαφυγής, αναβατήρες), από πλατφόρμες στερεωμένες σε σκάλες ή κατά την αναρρίχηση με σκοινιά.
- Η **φόρμα με μπούστο και τιράντες** είναι κατασκευασμένη από νάιλον ύφανση με 22 στρώματα και προστατεύει από την κοπή. Η χρήση της συνιστάται ένθερμα.
- Τα **προστατευτικά γάντια** που είναι κατασκευασμένα από παχύ δέρμα αποτελούν μέρος του συνιστώμενου εξοπλισμού και πρέπει πάντα να φοριούνται κατά τη λειτουργία του αλυσοπρίονου.
- Κατά τη λειτουργία του αλυσοπρίονου, πρέπει να φοριούνται πάντα **παπούτσια ασφαλείας** ή **μπότες ασφαλείας** εφοδιασμένα με αντιολισθητική σόλα, μεταλλική ενίσχυση στην περιοχή των δακτύλων και προστασία για το πόδι. Τα παπούτσια ασφαλείας εξοπλισμένα με προστατευτικό στρώμα παρέχουν προστασία από κοπή και εξασφαλίζουν καλό πάτημα. Για εργασία σε δέντρα, οι μπότες ασφαλείας πρέπει να είναι κατάλληλες για τεχνικές αναρρίχησης.



ΠΡΟΕΙΔΟΠΟΙΗΣΗ:

ΜΗΝ επιτρέψετε το βαθμό άνεσης ή εξοικείωσης με το προϊόν (λόγω επανειλημμένης χρήσης) να αντικαταστήσει την αυστηρή τήρηση των κανόνων ασφαλείας του παρόντος εργαλείου. ΚΑΚΗ ΧΡΗΣΗ ή αμέλεια να ακολουθήσετε τους κανόνες ασφαλείας που διατυπώνονται σ'αυτό το εγχειρίδιο οδηγιών μπορεί να προκαλέσει σοβαρό προσωπικό τραυματισμό.

ENC007-8

ΣΗΜΑΝΤΙΚΕΣ ΟΔΗΓΙΕΣ ΑΣΦΑΛΕΙΑΣ

ΓΙΑ ΚΑΣΕΤΑ ΜΠΑΤΑΡΙΑΣ

1. Πριν χρησιμοποιήσετε την κασέτα μπαταρίας, διαβάστε όλες τις οδηγίες και σημειώσεις προφύλαξης (1) στον φορτιστή μπαταρίας, (2) στην μπαταρία και (3) στο προϊόν που χρησιμοποιεί την μπαταρία.
2. Μην αποσυναρμολογήσετε την κασέτα μπαταρίας.
3. Εάν ο χρόνος λειτουργίας έχει γίνει υπερβολικά βραχύς, σταματήστε την λειτουργία αμέσως. Αλλιώς, μπορεί να έχει ως αποτέλεσμα κίνδυνο υπερθέρμανσης, πιθανά εγκαύματα ή ακόμη και έκρηξη.
4. Εάν ηλεκτρολύτης μπει στα μάτια σας, ξεπλύνετε τα με καθαρό νερό και ζητήστε ιατρική φροντίδα αμέσως. Αλλιώς, μπορεί να έχει ως αποτέλεσμα απώλεια της όρασης σας.
5. Μην βραχυκυκλώνετε την κασέτα μπαταρίας:
 - (1) Μην αγγίζετε τους πόλους με οτιδήποτε αγώγιμο υλικό.
 - (2) Αποφεύγετε να αποθηκεύετε την κασέτα μπαταρίας μέσα σε ένα δοχείο μαζί με άλλα μεταλλικά αντικείμενα όπως καρφιά, νομίσματα, κλπ.
 - (3) Μην εκθέτε την κασέτα μπαταρίας στο νερό ή στη βροχή.
 Ενα βραχυκύκλωμα μπαταρίας μπορεί να προκαλέσει μεγάλη ροή ρεύματος, υπερθέρμανση, πιθανά εγκαύματα ακόμη και σοβαρή βλάβη.
6. Μην αποθηκεύετε το εργαλείο και την κασέτα μπαταρίας σε τοποθεσίες όπου η θερμοκρασία μπορεί να φτάσει ή να ξεπεράσει τους 50°C.
7. Μην καίτε την κασέτα μπαταρίας ακόμη και εάν έχει σοβαρή ζημιά ή είναι εντελώς φθαρμένη. Η κασέτα μπαταρίας μπορεί να εκραγεί στην φωτιά.
8. Προσέχετε να μη ριξете κάτω ή χτυπήσετε την μπαταρία.
9. Μην χρησιμοποιείτε μπαταρία που έχει υποστεί ζημιά.
10. Τηρήστε τους τοπικούς κανονισμούς που σχετίζονται με τη διάθεση της μπαταρίας.

ΦΥΛΑΞΤΕ ΤΙΣ ΟΔΗΓΙΕΣ ΑΥΤΕΣ.

Κραδασμοί

1. Όταν άτομα με κακή κυκλοφορία αίματος εκτίθενται σε υπερβολικούς κραδασμούς, μπορεί να προκληθεί τραυματισμός στα αιμοφόρα αγγεία ή στο νευρικό σύστημα. Οι κραδασμοί ενδέχεται να προκαλέσουν τα ακόλουθα συμπτώματα στα δάκτυλα, τα χέρια και τους καρπούς: “Κοίμισμα” (μούδιασμα), μυρμηγκιασμα, πόνο, σουβλιές, αλλαγή χρώματος ή υψής του δέρματος. **Αν προκύψει οποιοδήποτε από αυτά τα συμπτώματα, επισκεφτείτε γιατρό!** Για να μειώσετε τον κίνδυνο του “συνδρόμου λευκού δακτύλου”, να διατηρείτε τα χέρια σας ζεστά κατά τη λειτουργία και να συντηρείτε σωστά τον εξοπλισμό και τα εξαρτήματα.

ΦΥΛΑΞΤΕ ΤΙΣ ΟΔΗΓΙΕΣ ΑΥΤΕΣ.

Συμβουλές για διατήρηση μέγιστης ζωής μπαταρίας

1. **Φορτίζετε την κασέτα μπαταρίας πριν από την πλήρη αποφόρτιση της.**
Πάντοτε σταματάτε την λειτουργία του εργαλείου και φορτίζετε την κασέτα μπαταρίας όταν παρατηρείτε μειωμένη ισχύ εργαλείου.
2. **Ποτέ μην επαναφορτίζετε μία πλήρως φορτισμένη κασέτα μπαταρίας.** Υπερφόρτιση μειώνει την ωφέλιμη ζωή της μπαταρίας.
3. **Φορτίστε την κασέτα μπαταρίας σε θερμοκρασία δωματίου 10°C – 40°C.** Αφήστε μία θερμή κασέτα μπαταρίας να κρυώσει πριν την φορτίσετε.
4. **Φορτίστε την κασέτα μπαταρίας μία φορά κάθε έξι μήνες εάν δεν τη χρησιμοποιείτε για μεγάλη χρονική περίοδο.**

ΠΕΡΙΓΡΑΦΗ ΛΕΙΤΟΥΡΓΙΑΣ

⚠ ΠΡΟΣΟΧΗ:

- Πάντοτε βεβαιώνετε ότι το εργαλείο είναι σβηστό και η κασέτα μπαταρίας έχει αφαιρεθεί πριν ρυθμίσετε ή ελέγξετε κάποια λειτουργία στο εργαλείο.

Τοποθέτηση ή αφαίρεση της κασέτας μπαταρίας (Εικ. 1)

- Πάντοτε σβήνετε το εργαλείο πριν εγκαταστήσετε ή βγάλετε την κασέτα μπαταρίας.
- **Κρατήστε το εργαλείο και την κασέτα μπαταρίας σταθερά κατά την τοποθέτηση ή αφαίρεση της κασέτας μπαταρίας.**

Αν δεν κρατάτε το εργαλείο και την κασέτα μπαταρίας σταθερά μπορεί γλιστρήσουν από τα χέρια σας και να προκληθεί βλάβη στο εργαλείο και την κασέτα μπαταρίας και προσωπικός τραυματισμός.

Για να αφαιρέσετε την κασέτα μπαταρίας, ολισθήστε την από το εργαλείο ενώ σύρετε το κουμπί στο μπροστινό μέρος της κασέτας.

Για να τοποθετήσετε την κασέτα μπαταρίας, ευθυγραμμίστε τη γλώσσα στην κασέτα μπαταρίας με την αύλακα στην υποδοχή και ολισθήστε τη στη θέση της. Να την τοποθετείτε πλήρως μέχρι να ασφαλίσει στη θέση της, γεγονός που υποδεικνύεται με ένα χαρακτηριστικό ήχο. Αν μπορείτε να δείτε την κόκκινη ένδειξη στην επάνω πλευρά του κουμπιού, δεν έχει κλειδώσει τελείως.

⚠ ΠΡΟΣΟΧΗ:

- Να τοποθετείτε πάντα την κασέτα μπαταρίας πλήρως μέχρι να μην βλέπετε την κόκκινη ένδειξη. Σε αντίθετη περίπτωση, μπορεί να πέσει κατά λάθος από το εργαλείο και να τραυματίσει εσάς ή κάποιον παρευρισκόμενο.
- Μην τοποθετείτε την κασέτα μπαταρίας με βία. Αν η κασέτα δεν εισέρχεται με ευκολία, δεν είναι τοποθετημένη σωστά.

Σύστημα προστασίας μπαταρίας (μπαταρία ιόντων λιθίου με ένδειξη αστεριού) (Εικ. 2)

Οι μπαταρίες ιόντων λιθίου με ένδειξη αστεριού είναι εξοπλισμένες με σύστημα προστασίας. Αυτό το σύστημα αποκρίνει αυτόματα την ισχύ προς το εργαλείο για την παράταση της ζωής της μπαταρίας. Το εργαλείο σταματάει αυτόματα κατά τη διάρκεια της λειτουργίας εάν το εργαλείο ή/και η μπαταρία βρεθούν κάτω από τις παρακάτω συνθήκες:

• Υπερφόρτιση:

Το εργαλείο λειτουργεί με τρόπο ώστε να αναγκάζεται να καταναλώνει ασυνήθιστα υψηλό ρεύμα.

Σε αυτή την κατάσταση, αφήστε το διακόπτη σκανδάλης και διακόψτε την εφαρμογή που προκαλεί την υπερφόρτιση του εργαλείου. Μετά, τραβήξτε ξανά το διακόπτη σκανδάλης για επανεκκίνηση.

Εάν το εργαλείο δεν ξεκινάει, η μπαταρία έχει υπερθερμανθεί. Σε αυτή την κατάσταση, αφήστε την μπαταρία να ψυχθεί πριν τραβήξετε ξανά το διακόπτη σκανδάλης.

• Χαμηλή τάση μπαταρίας:

Η υπόλοιπη χωρητικότητα μπαταρίας είναι πολύ χαμηλή και το εργαλείο δεν λειτουργεί. Σε αυτή την κατάσταση, αφαιρέστε και επαναφορτίστε την μπαταρία.

Δράση διακόπτη (Εικ. 3)

⚠ ΠΡΟΣΟΧΗ:

- Πριν βάλετε την κασετίνα μπαταρίας μέσα στο μηχάνημα, πάντοτε ελέγχετε να δείτε αν η σκανδάλη διακόπτης ενεργοποιείται κανονικά και επιστρέφει στη θέση "OFF" όταν ελευθερώνεται.

Για αποφυγή τυχαίου τραβήγματος της σκανδάλης διακόπτη, παρέχεται ένα πλήκτρο ασφαλείας. Για να ξεκινήσει το μηχάνημα, απελευθερώστε το πλήκτρο ασφαλείας και τραβήξτε την σκανδάλη διακόπτη. Ελευθερώστε την σκανδάλη διακόπτη για να σταματήσει.

ΣΥΝΑΡΜΟΛΟΓΗΣΗ

⚠ ΠΡΟΣΟΧΗ:

- Πάντοτε βεβαιώνετε ότι το εργαλείο είναι σβηστό και η κασέτα μπαταρίας έχει αφαιρεθεί πριν εκτελέσετε κάποια εργασία στο εργαλείο.

Τοποθέτηση και αφαίρεση της αλυσίδας πριονιού

⚠ ΠΡΟΣΟΧΗ:

- Πάντοτε να βεβαιώνετε ότι το μηχάνημα είναι κλειστό και ότι η κασετίνα μπαταρίας είναι βγαλμένη πριν την τοποθέτηση ή την αφαίρεση της αλυσίδας πριονιού.
- Πάντοτε να φοράτε γάντια κατά την τοποθέτηση ή την αφαίρεση της αλυσίδας πριονιού.
- Να χρησιμοποιείτε πάντα αλυσίδα πριονιού και κατευθυντήρια λάμα με άκρο που έχει σχεδιαστεί για αυτό τον τύπο αλυσοπριονιού (βλ. Απόσπασμα λίστας ανταλλακτικών εξαρτημάτων).
- Προς αποφυγή ανάκρουσης (οπισθολάκτισμα), μην αφαιρέσετε το άκρο της λάμας ή αντικαταστήσετε την κατευθυντήρια λάμα με λάμα χωρίς άκρο.

Χαλαρώστε τη βίδα γυρίζοντας το κουμπί αριστερόστροφα, έως ότου αφαιρέσετε το κάλυμμα του οδοντωτού τροχού. **(Εικ. 4)**

Αφαιρέστε το κάλυμμα του οδοντωτού τροχού. Αφαιρέστε την αλυσίδα του πριονιού και την κατευθυντήρια λάμα από το εργαλείο.

Εφαρμόστε το ένα άκρο της αλυσίδας του πριονιού στο πάνω μέρος της κατευθυντήριας λάμας. Σε αυτό το σημείο, εφαρμόστε την αλυσίδα του πριονιού όπως υποδεικνύεται στην εικόνα, επειδή περιστρέφεται κατά τη φορά του βέλους. **(Εικ. 5)**

Τοποθετήστε την αλυσίδα πριονιού ώστε το ελατήριο να βρίσκεται τοποθετημένο στο εσωτερικό της και προσαρμόστε το άλλο άκρο της αλυσίδας πριονιού γύρω από τον οδοντωτό τροχό όπως απεικονίζεται στην εικόνα. **(Εικ. 6)**

Κατά την περιστροφή της κατευθυντήριας λάμας αριστερόστροφα, τοποθετήστε την με τρόπο ώστε το άκρο της κατευθυντήριας λάμας να εφάπτεται στο ελατήριο. **(Εικ. 7)**

Τοποθετήστε το άγκιστρο του καλύμματος του οδοντωτού τροχού μέσα στην οπή του εργαλείου και ακολουθώντας τοποθετήστε το κάλυμμα του οδοντωτού τροχού στο εργαλείο. **(Εικ. 8)**

Γυρίστε το κουμπί δεξιόστροφα για να σφίξετε τη βίδα καλά. **(Εικ. 9)**

Ρύθμιση τάσης αλυσίδας πριονιού (Εικ. 10 και 11)

Μπορείτε να ρυθμίσετε την τάση της αλυσίδας του πριονιού χαλαρώνοντας ελαφρά τη βίδα. Μετά από τη ρύθμιση, ξανασφίξτε τη βίδα καλά.

⚠ ΠΡΟΣΟΧΗ:

- Για κάποιο χρονικό διάστημα μετά από την τοποθέτηση της αλυσίδας του πριονιού, επέρχεται χαλάρωμα αυτής. Περιστασιακά, να ελέγχετε την τάση της αλυσίδας του πριονιού πριν από τη χρήση.
- Η αλυσίδα του πριονιού ενδέχεται να βγει από τη θέση της, εάν η τάση είναι μικρή.
- Η τοποθέτηση ή αφαίρεση της αλυσίδας του πριονιού θα πρέπει να πραγματοποιείται σε καθαρό μέρος χωρίς ίχνη από πριονίδι και άλλα παρόμοια.

Αγκυλωτός προφυλακτήρας (προαιρετικό αξεσουάρ) (Εικ. 12)

Για να εγκαταστήσετε τον αγκυλωτό προφυλακτήρα, εκτελέστε τα ακόλουθα βήματα:

1. Αφαιρέστε το κάλυμμα τροχού, την αλυσίδα πριονιού και την κατευθυντήρια λάμα όπως περιγράφεται στο παρόν εγχειρίδιο οδηγιών.
2. Προσαρμόστε τις οπές του αγκυλωτού προφυλακτήρα μαζί με τις οπές στο αλυσοπρίονο.
3. Σφίξτε τις καλά με βίδες.

ΛΕΙΤΟΥΡΓΙΑ

Λίπανση (Εικ. 13)

Όταν το εργαλείο βρίσκεται σε λειτουργία γίνεται αυτόματη λίπανση της αλυσίδας του πριονιού.

Ελέγξτε την ποσότητα του υπάρχοντος ελαίου εντός του δοχείου ελαίου μέσω του παραθύρου ελέγχου της στάθμης ελαίου.

Για εκ νέου πλήρωση του δοχείου, αφαιρέστε το πώμα που καλύπτει το άνοιγμα του δοχείου ελαίου. Μετά από την εκ νέου πλήρωση του δοχείου, να βιδώνετε πάντα το παρεχόμενο πώμα στο δοχείο ελαίου του αλυσοπριονιού.

⚠ ΠΡΟΣΟΧΗ:

- Κατά τη λίπανση της αλυσίδας του πριονιού με έλαιο αλυσίδας για πρώτη φορά ή την εκ νέου πλήρωση του δοχείου όταν έχει αδειάσει τελείως, προσθέστε έλαιο έως το κάτω άκρο του αυχένα πλήρωσης. Διαφορετικά, ενδέχεται να παρεμποδίζεται η παροχή ελαίου.
- Ως έλαιο λίπανσης της αλυσίδας, να χρησιμοποιείτε έλαιο αποκλειστικά για χρήση με τα αλυσοπρίονα Makita ή έλαιο που διατίθεται στο εμπόριο.
- Να μη χρησιμοποιείτε ποτέ έλαιο που περιέχει ίχνη σκόνης και σωματίδια ή πηλοτικό έλαιο.
- Στο κλάδεμα δέντρων, να χρησιμοποιείτε βοτανικό έλαιο. Το ορυκτέλαιο ενδέχεται να βλάψει τα δέντρα.
- Μην ασκείτε πίεση στο αλυσοπρίονο όταν κλαδεύετε δέντρα.
- Πριν από την κοπή, βεβαιωθείτε ότι βιδώσατε το παρεχόμενο πώμα του δοχείου ελαίου.

Κρατήστε το αλυσοπρίονο μακριά από το δέντρο. Θέστε το σε λειτουργία και περιμένετε, έως ότου η αλυσίδα του πριονιού λιπανθεί επαρκώς.

Ακουμπήστε τον οδηγό άκρου/ κάτω οδηγό πάνω στο κλαδί προς κοπή πριν από την ενεργοποίηση. Εάν επιχειρήσετε κοπή χωρίς να ακουμπήσετε τον οδηγό άκρου/ κάτω οδηγό πάνω στο κλαδί, ενδέχεται να προκληθεί κλυδωνισμός της κατευθυντήριας λάμας με αποτέλεσμα τραυματισμό του χειριστή.

Πριονίστε το ξύλο προς κοπή με απλή κίνηση προς τα κάτω.

Κλάδεμα δέντρων

⚠ ΠΡΟΣΟΧΗ:

- Κρατάτε όλα τα μέρη του σώματος σας μακριά από την αλυσίδα πριονιού όταν το μοτέρ λειτουργεί.
- Κρατάτε το αλυσοπρίονο γερά με τα δύο σας χέρια όταν το μοτέρ λειτουργεί.
- Μην υποβάλλετε σε υπερπροσπάθεια. Κρατάτε πάντοτε σταθερό πάτημα και την ισορροπία σας.

Ακουμπήστε τον οδηγό άκρου/ κάτω οδηγό πάνω στο κλαδί προς κοπή πριν από την ενεργοποίηση. Εάν επιχειρήσετε κοπή χωρίς να ακουμπήσετε τον οδηγό άκρου/ κάτω οδηγό πάνω στο κλαδί, ενδέχεται να προκληθεί κλυδωνισμός της κατευθυντήριας λάμας με αποτέλεσμα τραυματισμό του χειριστή. **(Εικ. 14 και 15)**

Όταν κόβετε χοντρά κλαδιά, πρώτα να κάνετε ένα επιφανειακό κόψιμο από κάτω και μετά ολοκληρώστε την κοπή από το πάνω μέρος. **(Εικ. 16)**

Αν προσπαθήσετε να κόψετε χοντρά κλαδιά από το κάτω μέρος, το κλαδί μπορεί να κλείσει και να συσφίξει την αλυσίδα πριονιού μέσα στην κοπή. Αν προσπαθήσετε να κόψετε χοντρά κλαδιά από το πάνω μέρος χωρίς το επιφανειακό κόψιμο από το κάτω μέρος, το κλαδί μπορεί να σχιστεί. **(Εικ. 17)**
Αν δεν μπορείτε να κόψετε το ξύλο τελείως με μια προσπάθεια:

Εφαρμόστε ελαφριά πίεση στη χειρολαβή και συνεχίστε το πριόνισμα και τραβήξτε το αλυσοπρίονο προς τα πίσω λιγάκι, μετά συνεχίστε το κόψιμο λίγο πιο κάτω και ολοκληρώστε την κοπή υψώνοντας τη χειρολαβή. **(Εικ. 18)**

Μεταφορά του μηχανήματος (Εικ. 19)

Πάντοτε να βγάξετε την κασετίνα μπαταρίας από το μηχανήμα και να καλύπτετε την κατευθυντήρια λάμα με τη θήκη πριν τη μεταφορά του μηχανήματος. Επίσης να καλύπτετε την κασετίνα μπαταρίας με το κάλυμμα της μπαταρίας.

ΣΥΝΤΗΡΗΣΗ

⚠ ΠΡΟΣΟΧΗ:

- Πάντοτε βεβαιώνετε ότι το εργαλείο είναι σβηστό και η κασέτα μπαταρίας έχει αφαιρεθεί πριν επιχειρήσετε να κάνετε έλεγχο ή συντήρηση.
- Πάντοτε να φοράτε γάντια όταν εκτελείτε έλεγχο ή συντήρηση.
- Μην χρησιμοποιείτε ποτέ βενζίνη, πετρελαϊκό αιθέρα, διαλυτικό, αλκοόλη ή παρόμοιες ουσίες. Ενδέχεται να προκληθεί αποχρωματισμός παραμόρφωση ή ρωγμές.

Τρόχισμα αλυσίδας

⚠ ΠΡΟΣΟΧΗ:

- Να αφαιρείτε πάντα την κασέτα μπαταρίας και να φοράτε γάντια ασφαλείας, κατά την εκτέλεση εργασίας με το αλυσοπρίονο.

Να τροχίζετε την αλυσίδα όταν:

- Παράγεται αλευρώδες πριονίδι κατά την κοπή υγρού ξύλου,
- Η αλυσίδα διαπερνά το ξύλο με δυσκολία, ακόμη και όταν ασκείται μεγάλη πίεση,
- Είναι προφανές ότι η ακμή κοπής έχει υποστεί ζημία,
- Το πριόνι ωθείται αριστερά ή δεξιά εντός του ξύλου. Ο λόγος που συμβαίνει αυτό είναι το μη ομοιόμορφο τρόχισμα της αλυσίδας ή ζημία στη μία πλευρά μόνο. **(Εικ. 20)**

Να τροχίζετε την αλυσίδα συχνά, αλλά να αφαιρείτε λίγο μόνο υλικό κάθε φορά.

Δύο ή τρία περάσματα με τη λάμα επαρκούν συνήθως για λόγους τροχίσματος ρουτίνας. Όταν η αλυσίδα έχει τροχιστεί αρκετές φορές, αναθέστε το τρόχισμα σε εξειδικευμένο κατάστημα επισκευών της ΜΑΚΙΤΑ.

Λίμα και οδήγηση λίμας (Εικ. 21)

- Να χρησιμοποιείτε ειδική στρογγυλή λίμα (προαιρετικό παρελκόμενο) για αλυσοπρίονο, διάμετρο 4 mm, για το τρόχισμα της αλυσίδας. Οι συνήθεις στρογγυλές λίμες δεν είναι κατάλληλες.
- Η λίμα θα πρέπει να έρχεται σε επαφή με το μέταλλο μόνο κατά την πρόσθια κίνηση. Να ανασκόνετε τη λίμα από το μέταλλο κατά την πίσω κίνηση.

- Να τροχίζετε το μικρότερο κόπτη πρώτα. Το μήκος αυτού του κόπτη αποτελεί στη συνέχεια το μέτρο σύγκρισης για όλους τους υπόλοιπους κόπτες της αλυσίδας.
- Να οδηγείτε τη λίμα όπως υποδεικνύεται στην εικόνα.
- Η οδήγηση της λίμας καθίσταται πιο εύκολη, εάν χρησιμοποιείτε συγκρατητήρα λίμας (παρελκόμενο). Ο συγκρατητήρας της λίμας διαβέτι ενδείξεις για την κατάλληλη γωνία τροχίσματος 30° (ευθυγραμμίστε τις ενδείξεις παράλληλα με την αλυσίδα) και περιορίζει το βάθος διείδουσης (σε 4/5 της διαμέτρου της λίμας).

Να οδηγείτε τη λίμα όπως υποδεικνύεται στην εικόνα. **(Εικ. 22)**

- Μετά από το τρόχιμα της αλυσίδας, ελέγξτε το ύψος του ρυθμιστή του βάθους κοπής χρησιμοποιώντας το εργαλείο μέτρησης αλυσίδας (προαιρετικό παρελκόμενο).
- Αφαιρέστε τυχόν προεξέχον υλικό, όσο μικρό και αν είναι, με ειδική επίπεδη λίμα (προαιρετικό παρελκόμενο).
- Αποτελειώστε το μπροστινό μέρος του ρυθμιστή βάθους κοπής ξανά.
- Ξεπλύντε τυχόν ίχνη σκόνης και σωματιδίων από την αλυσίδα μετά από τη ρύθμιση του ύψους του ρυθμιστή βάθους κοπής.

Καθαρισμός της κατευθυντήριας λάμας (Εικ. 23)

Ρινίσματα και πριονόσκονη θα συσσωρευτούν στην εγκοπή της κατευθυντήριας λάμας, βουλώνοντας την και ελαττώνοντας την ροή του λαδιού. Πάντοτε να καθαρίζετε τα ρινίσματα και την πριονόσκονη όταν ακονίζετε ή αντικαθιστάτε την αλυσίδα πριονιού.

Καθαρισμός φίλτρου ελαίου στην οπή παροχής ελαίου

Ενδέχεται να παρουσιαστεί συσσώρευση σκόνης και σωματιδίων εντός του φίλτρου ελαίου στην οπή παροχής ελαίου στη διάρκεια της λειτουργίας. Τυχόν συσσώρευση σκόνης και σωματιδίων εντός του φίλτρου ελαίου ενδέχεται να παρεμποδίξει τη ροή της παροχής ελαίου και να προκαλέσει ανεπαρκή λίπανση ολόκληρης της αλυσίδας. Όταν παρατηρηθεί κακή παροχή ελαίου λίπανσης στο πάνω μέρος της κατευθυντήριας λάμας, καθαρίστε το φίλτρο ως ακολούθως. Αφαιρέστε την κασέτα μπαταρίας από το εργαλείο. Αφαιρέστε το κάλυμμα του οδοντωτού τροχού και την αλυσίδα από το εργαλείο. (Ανατρέξτε στην ενότητα "Τοποθέτηση και αφαίρεση της αλυσίδας πριονιού".) Αφαιρέστε το περικόχλιο ώθησης χρησιμοποιώντας ένα καταβίδι με ίσια μύτη με λεπτό άξονα ή παρόμοιο. **(Εικ. 24)** Αφαιρέστε το φίλτρο από το αλυσοπρίονο και στη συνέχεια αφαιρέστε τυχόν ίχνη σκόνης ή σωματίδια από αυτό. Όταν το φίλτρο είναι πολύ βρόμικο, αντικαταστήστε το με ένα νέο. **(Εικ. 25)** Τοποθετήστε την κασέτα μπαταρίας στο εργαλείο. Τραβήξτε τη σκανδάλη διακόπτη ώστε η συσσωρευμένη σκόνη και τα σωματίδια να αποβληθούν από την οπή παροχής ελαίου μέσω της ροής ελαίου. **(Εικ. 26)**

Αφαιρέστε την κασέτα μπαταρίας από το εργαλείο. Τοποθετήστε το καθαρό φίλτρο ελαίου εντός της οπής παροχής ελαίου. Όταν το φίλτρο είναι πολύ βρόμικο, αντικαταστήστε το με ένα νέο. **(Εικ. 27)**
Τοποθετήστε το περικόχλιο ώθησης, φροντίζοντας ώστε η κατάλληλη πλευρά να είναι στραμμένη προς τα πάνω όπως υποδεικνύεται στην εικόνα, εντός της οπής παροχής ελαίου προς ασφάλιση του φίλτρου. Σε περίπτωση που η ασφάλιση του φίλτρου δεν είναι δυνατή λόγω παραμόρφωσης του περικοχλίου ώθησης, αντικαταστήστε το περικόχλιο ώθησης με ένα νέο. **(Εικ. 28)**

Τοποθετήστε εκ νέου την αλυσίδα και το κάλυμμα του οδοντωτού τροχού στο εργαλείο.

Αντικατάσταση οδοντωτού τροχού (Εικ. 29 και 30)

Πριν από την τοποθέτηση μιας νέας αλυσίδας, ελέγξτε την κατάσταση του οδοντωτού τροχού.

⚠ ΠΡΟΣΟΧΗ:

- Ένας φθαρμένος οδοντωτός τροχός θα προκαλέσει φθορά στη νέα αλυσίδα. Σε αυτή την περίπτωση αντικαταστήστε τον οδοντωτό τροχό. Η αντικατάσταση του οδοντωτού τροχού πραγματοποιείται ώστε να είναι πάντα στραμμένος όπως υποδεικνύεται στην εικόνα.

Να τοποθετείτε πάντα νέο ασφαλιστικό δακτύλιο, όταν αντικαθιστάτε τον οδοντωτό τροχό.

Αντικαταστήστε ψηκτρών άνθρακα (Εικ. 31 και 32)

Αφαιρέιτε και ελέγχετε τις ψήκτρες άνθρακα τακτικά. Αντικαθιστάτε τις όταν φθαρούν μέχρι το σημάδι ορίου. Κρατάτε τις ψήκτρες άνθρακα καθαρές και ελεύθερες να γλιστρούν στις θήκες. Και οι δύο ψήκτρες άνθρακα πρέπει να αντικαθίστανται ταυτόχρονα. Χρησιμοποιείτε μόνο ταυτόσημες ψήκτρες άνθρακα.

Χρησιμοποιείτε ένα κατσαβίδι για να αφαιρέσετε τα καπάκια των θηκών των ψηκτρών. Αφαιρέστε τις φθαρμένες ψήκτρες, βάλτε τις νέες και ασφαλίστε τα καπάκια των θηκών των ψηκτρών.

Φύλαξη εργαλείου

Καθαρίστε το εργαλείο πριν από τη φύλαξη. Αφαιρέστε τυχόν ροκανίδια και πριονίδια από το εργαλείο μετά από την αφαίρεση του καλύμματος του οδοντωτού τροχού. Μετά από τον καθαρισμό του εργαλείου, αφήστε το σε λειτουργία χωρίς φορτίο ώστε να λιπανθεί η αλυσίδα και η κατευθυντήρια λάμα.

Καλύψτε την κατευθυντήρια λάμα με τη θήκη. Αφαιρέστε το έλαιο από το δοχείο ελαίου ώστε να αδειάσει και τοποθετήστε το αλυσοπρίνο σε θέση ώστε το πάμα του δοχείου να είναι στραμμένο προς τα πάνω.

Για διατήρηση της ΑΣΦΑΛΕΙΑΣ και ΑΞΙΟΠΙΣΤΙΑΣ του προϊόντος, επισκευές, οποιαδήποτε συντήρηση ή ρυθμίσεις πρέπει να εκτελούνται από Κέντρα Εξυπηρέτησης Εξουσιοδοτημένα από την Makita, με χρήση πάντοτε ανταλλακτικών Makita.

Οδηγίες για περιοδική συντήρηση

Για τη διασφάλιση της μακράς ζωής λειτουργίας, την αποφυγή της ζημιάς και τη διασφάλιση της πλήρους λειτουργικότητας των δυνατοτήτων ασφάλειας, πρέπει να εκτελείτε τις ακόλουθες εργασίες συντήρησης σε τακτά χρονικά διαστήματα.

Η εγγύηση θα αναγνωριστεί μόνο αν εκτελείτε σωστά τις εργασίες αυτές σε τακτά χρονικά διαστήματα. Αν δεν εκτελέσετε τις συνιστώμενες εργασίες συντήρησης, μπορεί να προκληθούν ατυχήματα!

Ο χρήστης του αλυσοπριόνου δεν πρέπει να εκτελεί εργασίες συντήρησης που δεν περιγράφονται στο εγχειρίδιο οδηγιών. Όλες αυτές οι εργασίες πρέπει να εκτελούνται από εξουσιοδοτημένο κέντρο σέρβις.

Χρόνος λειτουργίας		Πριν από τη λειτουργία	Κάθε ημέρα	Κάθε εβδομάδα	Κάθε 3 μήνες	Κάθε χρόνο	Πριν από την αποθήκευση
Στοιχείο	Επιθεωρήστε.	<input type="radio"/>					
	Καθαρίστε.		<input type="radio"/>				
	Ελέγξτε σε εξουσιοδοτημένο κέντρο σέρβις.					<input type="radio"/>	<input type="radio"/>
Αλυσίδα	Επιθεωρήστε.	<input type="radio"/>					
	Ακονίστε αν απαιτείται.						<input type="radio"/>
Κατευθυντήρια λάμα	Επιθεωρήστε.	<input type="radio"/>	<input type="radio"/>				
	Αφαιρέστε από το αλυσοπρίονο.						<input type="radio"/>
Λίπανση αλυσίδας	Ελέγξτε την παροχή τροφοδοσίας λαδιού.	<input type="radio"/>					
Σκανδάλη διακόπτης	Επιθεωρήστε.	<input type="radio"/>					
Πλήκτρο ασφάλειας	Επιθεωρήστε.	<input type="radio"/>					
Καπάκι δοχείου λαδιού	Ελέγξτε ότι είναι σφικμένο.	<input type="radio"/>					
Συγκρατήρας αλυσίδας	Επιθεωρήστε.			<input type="radio"/>			
Βίδες και παξιμάδια	Επιθεωρήστε.			<input type="radio"/>			

014813

ΑΝΤΙΜΕΤΩΠΙΣΗ ΠΡΟΒΛΗΜΑΤΩΝ

Πριν ζητήσετε επισκευές, εκτελέστε αρχικά τη δική σας επιθεώρηση. Αν εντοπίσετε πρόβλημα που δεν επεξηγείται στο εγχειρίδιο, μην επιχειρήσετε να αποσυναρμολογήσετε το εργαλείο. Αντ' αυτού, ζητήστε βοήθεια από εξουσιοδοτημένα κέντρα εξυπηρέτησης της Makita και πάντοτε να χρησιμοποιείτε γνήσια ανταλλακτικά της Makita.

Κατάσταση δυσλειτουργίας	Αιτία	Ενέργεια
Το αλυσοπρίοιο δεν ξεκινά.	Δεν είναι τοποθετημένη η κασέτα μπαταρίας.	Τοποθετήστε τη φορτισμένη κασέτα μπαταρίας.
	Πρόβλημα μπαταρίας (μικρή τάση).	Επαναφορτίστε την κασέτα μπαταριών. Αν η επαναφόρτιση δεν είναι αποτελεσματική, αντικαταστήστε την κασέτα μπαταριών.
Το μοτέρ σταματά να λειτουργεί μετά από μικρή χρήση.	Το επίπεδο φόρτισης μπαταρίας είναι χαμηλό.	Επαναφορτίστε την κασέτα μπαταριών. Αν η επαναφόρτιση δεν είναι αποτελεσματική, αντικαταστήστε την κασέτα μπαταριών.
Δεν υπάρχει λάδι στην αλυσίδα.	Το δοχείο λαδιού είναι άδειο.	Γεμίστε το δοχείο λαδιού.
	Η εγκοπή οδηγού λαδιού είναι βρόμικη.	Καθαρίστε την εγκοπή.
	Δυσλειτουργία της αντλίας λαδιού.	Απευθυνθείτε στο τοπικό εξουσιοδοτημένο κέντρο σέρβις για επισκευή.
Δεν φτάνει τις μέγιστες ΣΑΛ.	Η κασέτα μπαταρίας δεν είναι σωστά τοποθετημένη.	Τοποθετήστε την κασέτα μπαταρίας όπως περιγράφεται σε αυτό το εγχειρίδιο.
	Το επίπεδο φόρτισης μπαταρίας είναι χαμηλό.	Επαναφορτίστε την κασέτα μπαταριών. Αν η επαναφόρτιση δεν είναι αποτελεσματική, αντικαταστήστε την κασέτα μπαταριών.
	Το σύστημα μετάδοσης κίνησης δεν λειτουργεί σωστά.	Απευθυνθείτε στο τοπικό εξουσιοδοτημένο κέντρο σέρβις για επισκευή.
Η αλυσίδα δεν σταματάει. Σταματήστε τη μηχανή αμέσως!	Δυσλειτουργία του διακόπτη.	Απευθυνθείτε στο τοπικό εξουσιοδοτημένο κέντρο σέρβις για επισκευή.
Ασυνήθιστοι κραδασμοί: Σταματήστε τη μηχανή αμέσως!	Η κατευθυντήρια λάμα ή η αλυσίδα πριονιού είναι χαλαρή.	Προσαρμόστε το τέντωμα της κατευθυντήριας λάμας ή της αλυσίδας πριονιού.
	Δυσλειτουργία εργαλείου.	Απευθυνθείτε στο τοπικό εξουσιοδοτημένο κέντρο σέρβις για επισκευή.

014814

ΠΡΟΑΙΡΕΤΙΚΑ ΕΞΑΡΤΗΜΑΤΑ

⚠ ΠΡΟΣΟΧΗ:

- Αυτά τα ανταλλακτικά ή προσαρτήματα συνιστώνται για ρήση με τ εργαλείο σας της Makita που περιγράφεται στ εγχειρίδι αυτ. Η ρήση τιδήπτε άλλων ανταλλακτικών ή προσαρτημάτων μπρεί να παρυσιάσουν κίνδυν τραυματισμύ σε άτμα.

Εάν χρειάζεστε βοήθεια ή περισσότερες λεπτομέρειες σε σχέση με αυτά τα ανταλλακτικά, ρωτήστε το τοπικό σας κέντρο εξυπηρέτησης της Makita.

- Διάφοροι τύποι αυθεντικών μπαταριών και φορτιστών Makita
- Αλυσίδα πριονιού
- Θήκη
- Πλήρης κατευθυντήρια λάμα
- Λίμα

ΠΑΡΑΤΗΡΗΣΗ:

- Μερικά στοιχεία στη λίστα μπορεί να συμπεριλαμβάνονται στη συσκευασία εργαλείου ως στάνταρ εξαρτήματα. Μπορεί να διαφέρουν ανάλογα με τη χώρα.

Θόρυβος

Το τυπικό Α επίπεδο μετρημένου θορύβου καθορίζεται σύμφωνα με το EN60745:

Μοντέλο DUC122

Στάθμη πίεσης ήχου (L_{pA}): 84,6 dB (A)
 Στάθμη δύναμης ήχου (L_{WA}): 92,7 dB (A)
 Αβεβαιότητα (K): 2 dB (A)

Φοράτε ωτοασπίδες

ENG900-1

Κραδασμός

Η ολική τιμή δόνησης (άθροισμα τρι-αξονικού διανύσματος) καθορίζεται σύμφωνα με το EN60745:

Μοντέλο DUC122

Είδος εργασίας: κοπή ξύλων
 Εκπομπή δόνησης (a_h): 4,3 m/s²
 Αβεβαιότητα (K): 1,5 m/s²

ENG901-1

- Η δηλωμένη τιμή εκπομπής κραδασμών έχει μετρηθεί σύμφωνα με την πρότυπη μέθοδο δοκιμής και μπορεί να χρησιμοποιηθεί για τη σύγκριση ενός εργαλείου με άλλο.
- Η δηλωμένη τιμή εκπομπής κραδασμών μπορεί να χρησιμοποιηθεί και στην προκαταρκτική αξιολόγηση έκθεσης.

⚠ ΠΡΟΕΙΔΟΠΟΙΗΣΗ:

- Η εκπομπή κραδασμών κατά τη χρήση του ηλεκτρικού εργαλείου σε πραγματικές συνθήκες μπορεί να διαφέρει από τη δηλωμένη τιμή εκπομπής ανάλογα με τον τρόπο χρήσης του εργαλείου.
- Φροντίστε να λάβετε τα κατάλληλα μέτρα προστασίας του χειριστή βάσει υπολογισμού της έκθεσης σε πραγματικές συνθήκες χρήσης (λαμβάνοντας υπόψη όλες τις συνιστώσες του κύκλου λειτουργίας όπως τους χρόνους που το εργαλείο είναι εκτός λειτουργίας και όταν βρίσκεται σε αδρανή λειτουργία πέραν του χρόνου ενεργοποίησης).

Μόνο για χώρες της Ευρώπης**Δήλωση Συμμόρφωσης ΕΚ****Η Makita δηλώνει ότι τα ακόλουθα μηχανήματα:**

Χαρακτηρισμός μηχανήματος:
 Αλυσοπρίνο χωρίς καλώδιο
 Αρ. μοντέλου/ Τύπος: DUC122
 Προδιαγραφές: βλ. πίνακα "ΤΕΧΝΙΚΑ ΧΑΡΑΚΤΗΡΙΣΤΙΚΑ".

Συμμορφώνονται με τις ακόλουθες Ευρωπαϊκές Οδηγίες:

2000/14/ΕΚ, 2006/42/ΕΚ

Κατασκευάζονται σύμφωνα με τα ακόλουθα πρότυπα ή έγγραφα τυποποίησης:

EN ISO 11681-2

Το Πιστοποιητικό Εξέτασης τύπου ΕΚ αρ. 4814056.14009

Η εξέταση τύπου ΕΚ βάσει 2006/42/ΕΚ διενεργήθηκε από:

DEKRA Testing and Certification GmbH
 Enderstraße 92b
 01277 Dresden
 Germany (Γερμανία)
 Αρ. ταυτοποίησης 2140

Το αρχείο τεχνικών στοιχείων, σύμφωνα με την Οδηγία 2006/42/ΕΚ, διατίθεται από:

Makita, Jan-Baptist Vinkstraat 2, 3070, Βέλγιο

Η απαιτούμενη διαδικασία αξιολόγησης συμμόρφωσης βάσει της Οδηγίας 2000/14/ΕΚ ήταν σύμφωνη με το Παράρτημα V.

Στάθμη ηχητικής ισχύος μέτρησης: 93 dB (A)

Εγγυημένη στάθμη ηχητικής ισχύος: 95 dB (A)

23.9.2014



Yasushi Fukaya
 Διευθυντής

Makita, Jan-Baptist Vinkstraat 2, 3070, Βέλγιο

Makita Jan-Baptist Vinkstraat 2, 3070, Belgium
Makita Corporation Anjo, Aichi, Japan