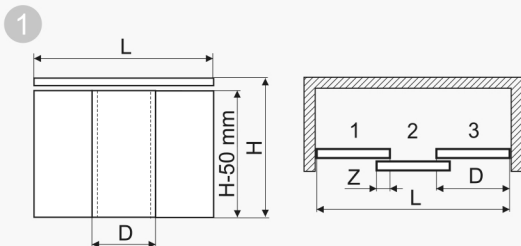




HORUS

Montageanleitung



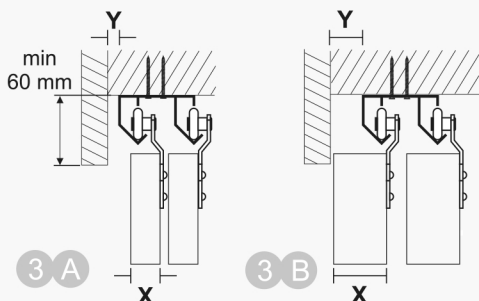
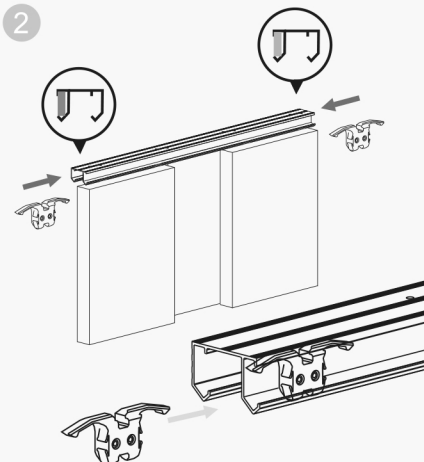
$$\text{Door width } D = \frac{L + (n-1) \cdot z}{n}$$

Door count $n = 2, 3, 4, \dots$

z - 40 mm recommended

H = niche height

$H-50$ mm - door height



X [mm]	16	18	19	22
Y [mm]	0	1	1	4

X	25	28	32	40
Y	15	18	22	30

