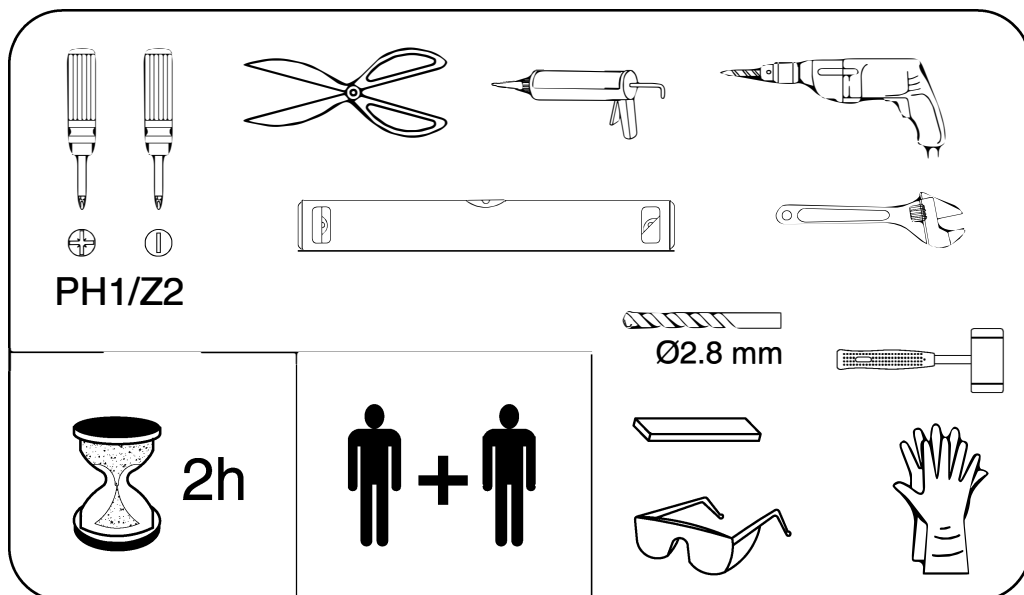
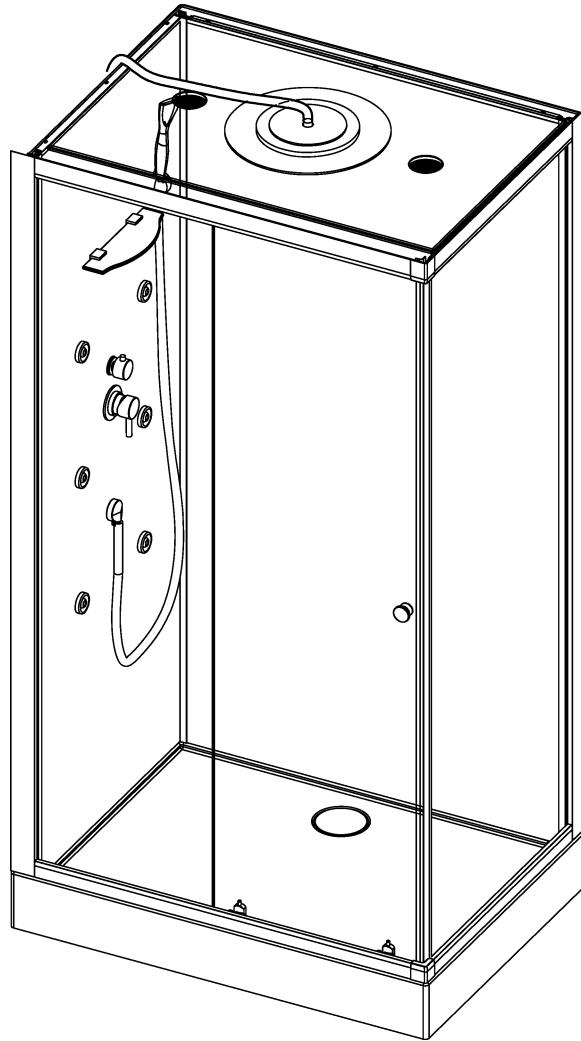
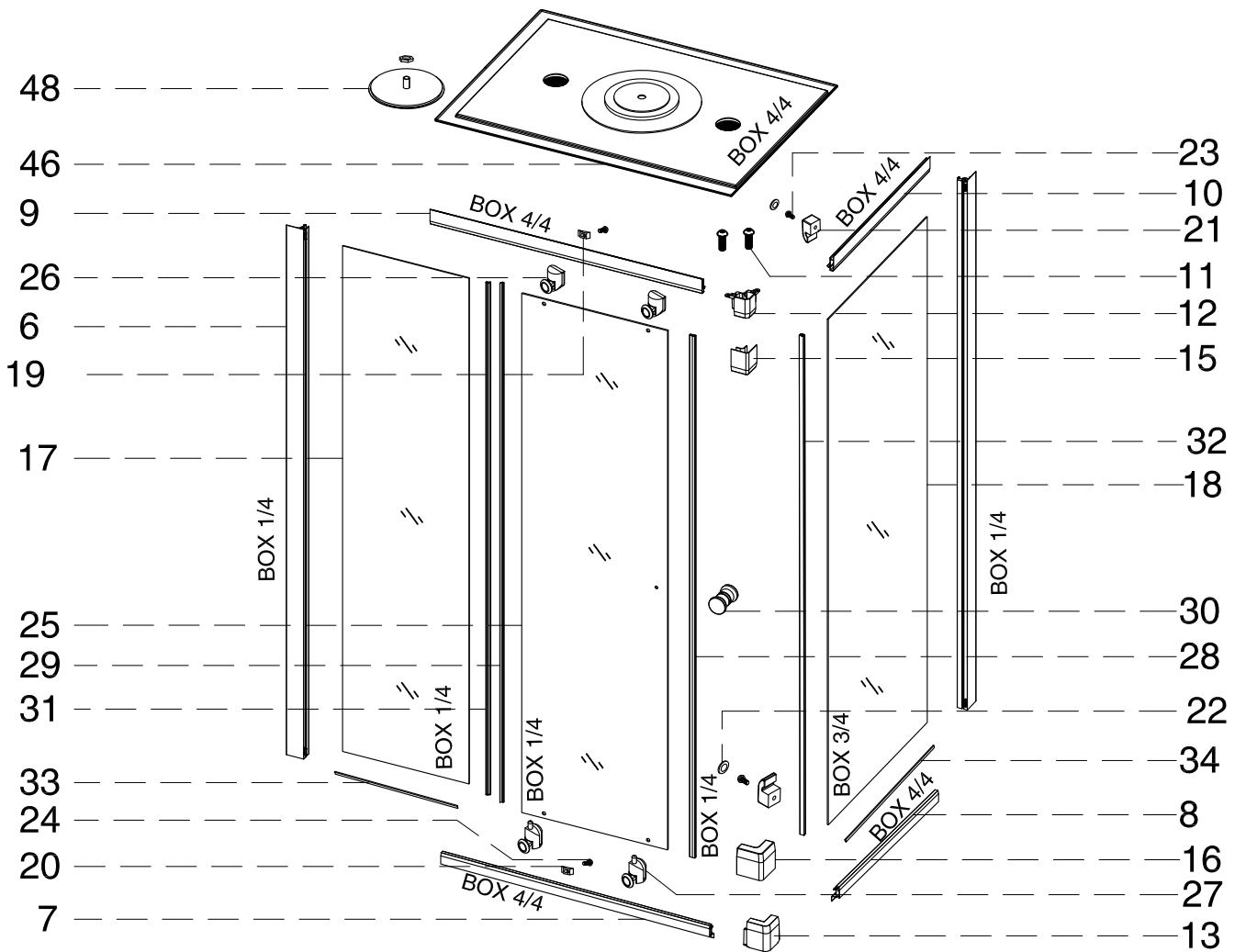
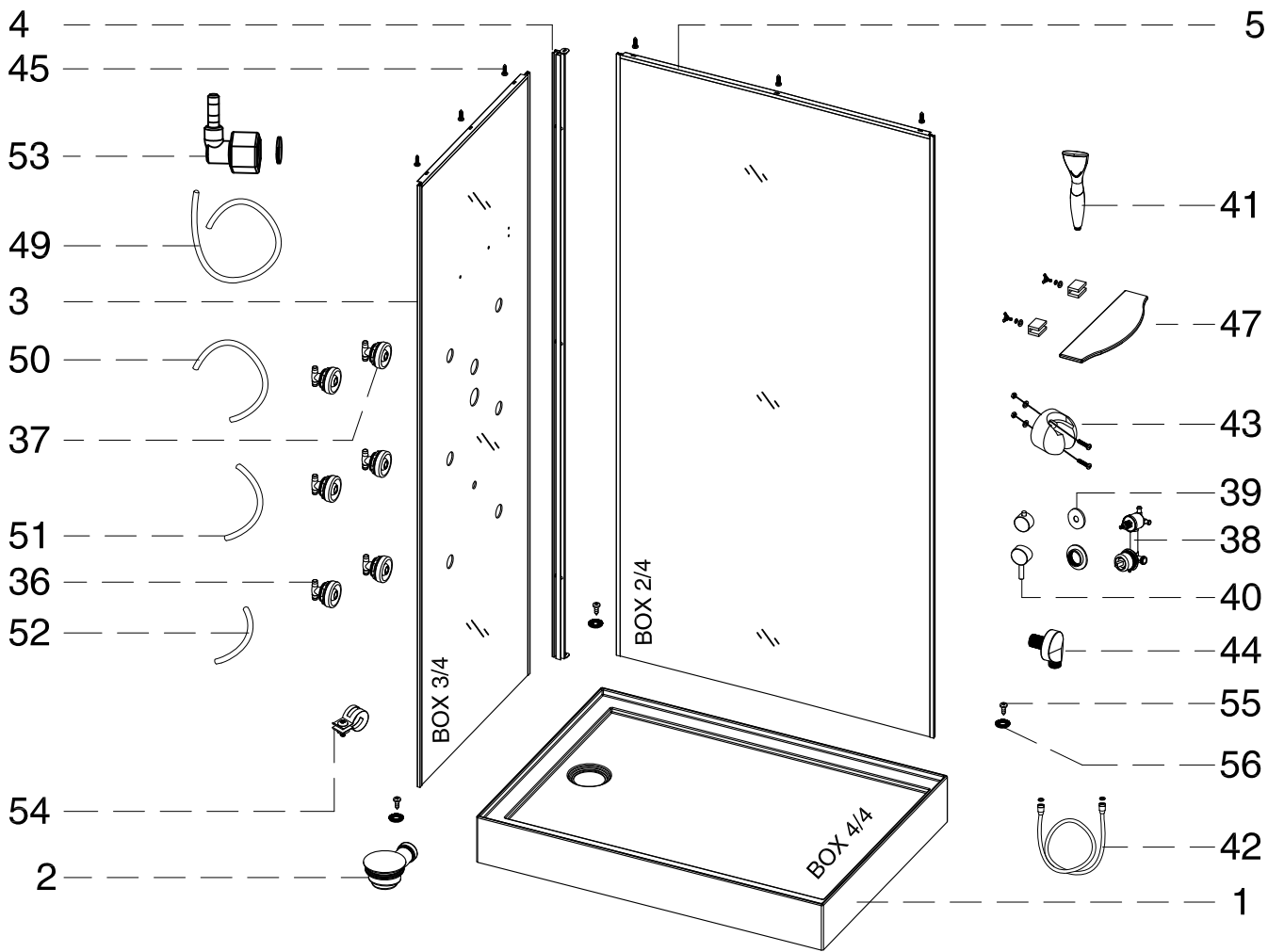
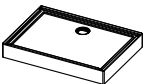

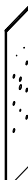

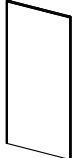
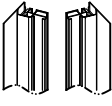
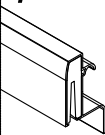
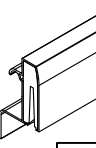
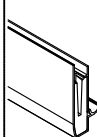
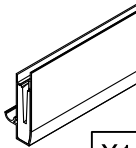




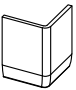

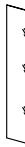
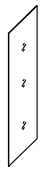
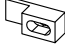
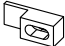
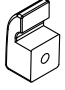






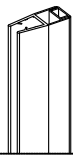


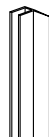

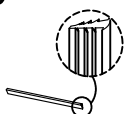
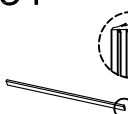

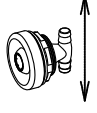

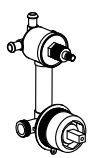




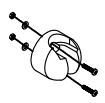


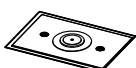










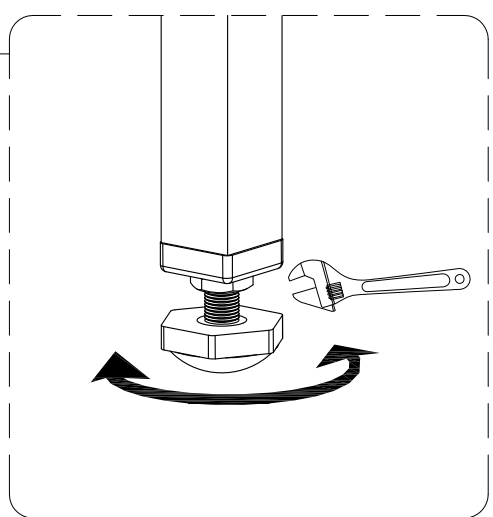
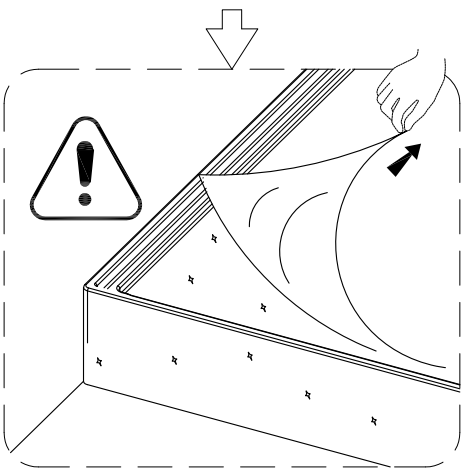
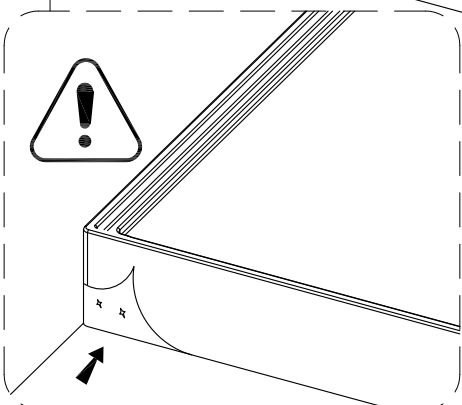
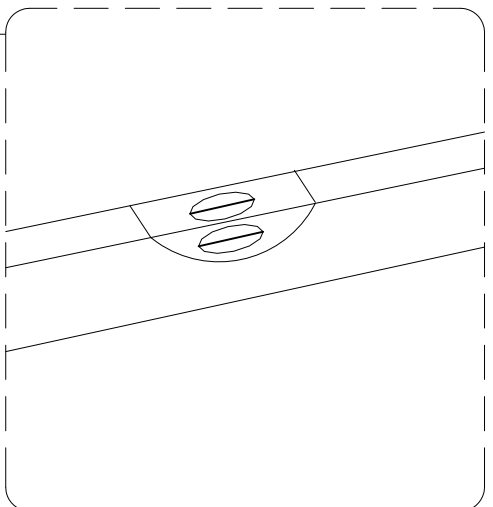
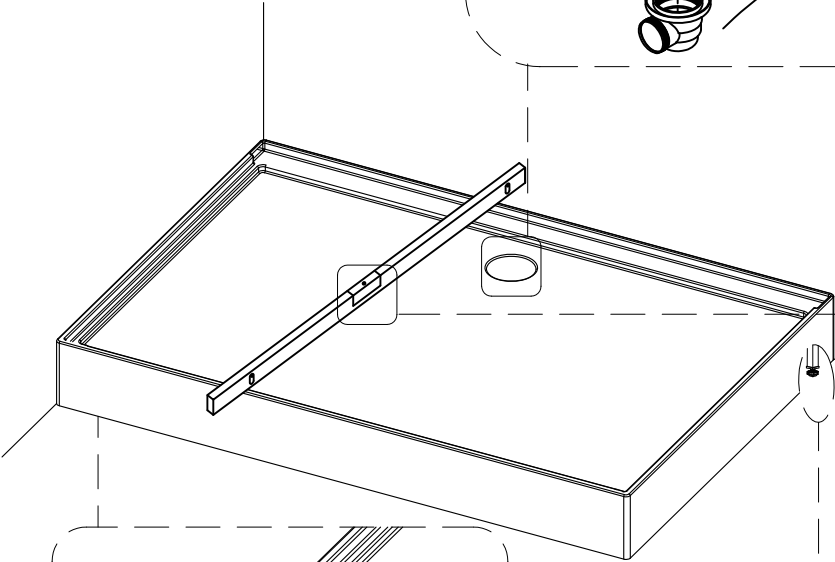
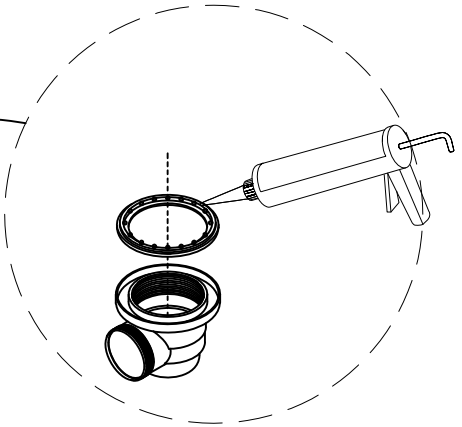
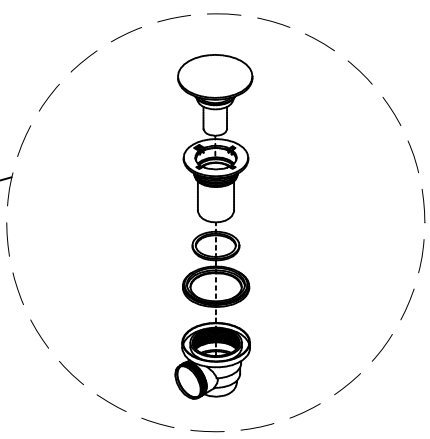
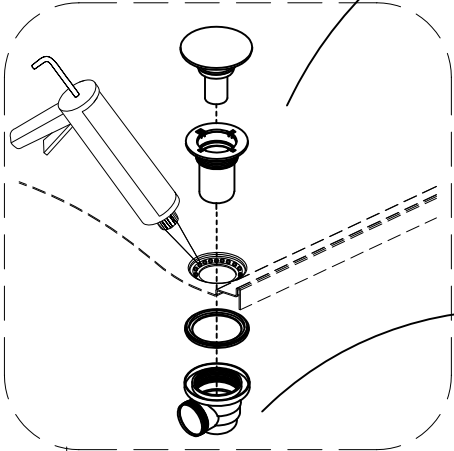
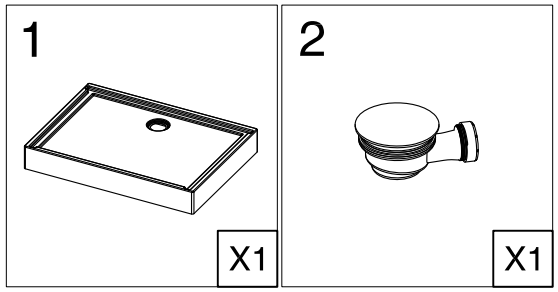


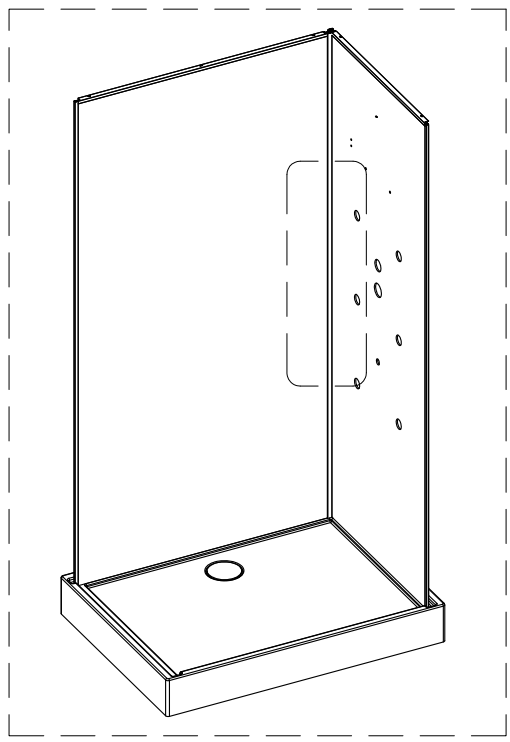
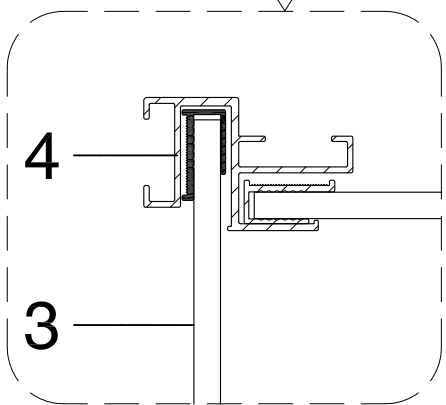
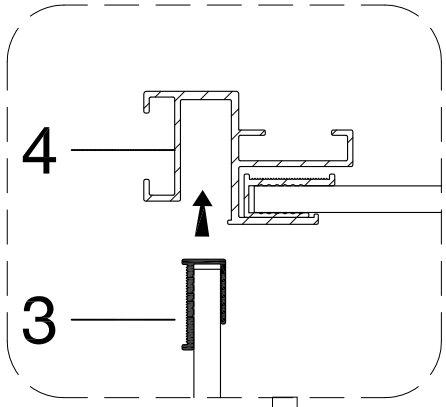
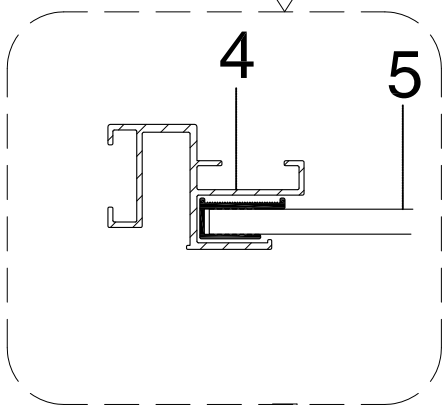
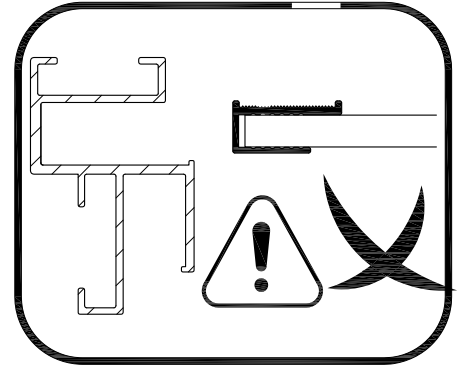
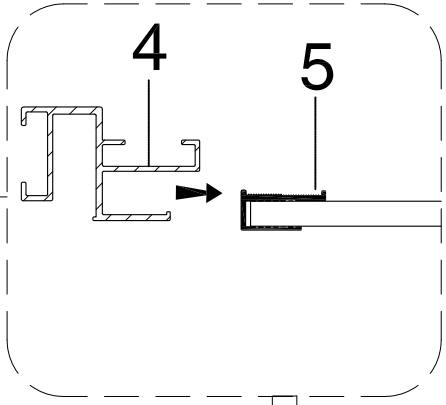
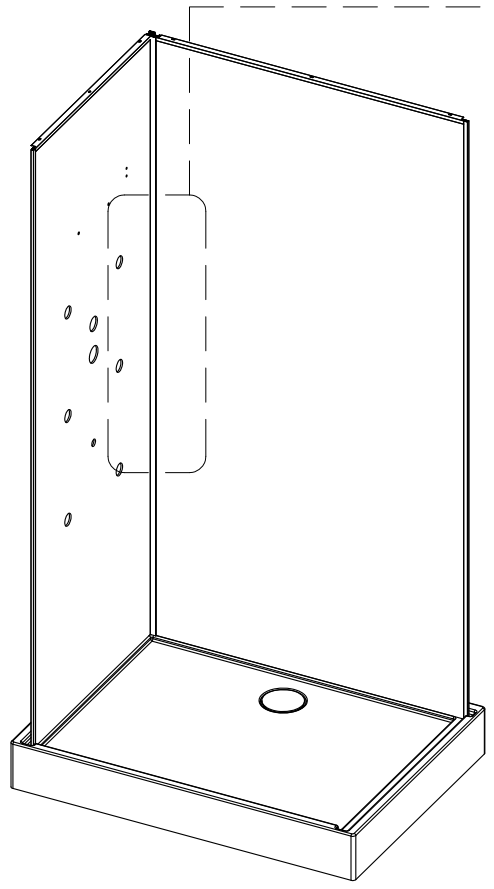
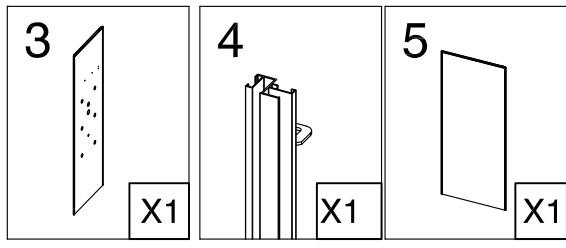
V1
geoFIX Komplettdusche Fronteinstieg
80X110X215 cm
C80047 - ArtNr. 26461375

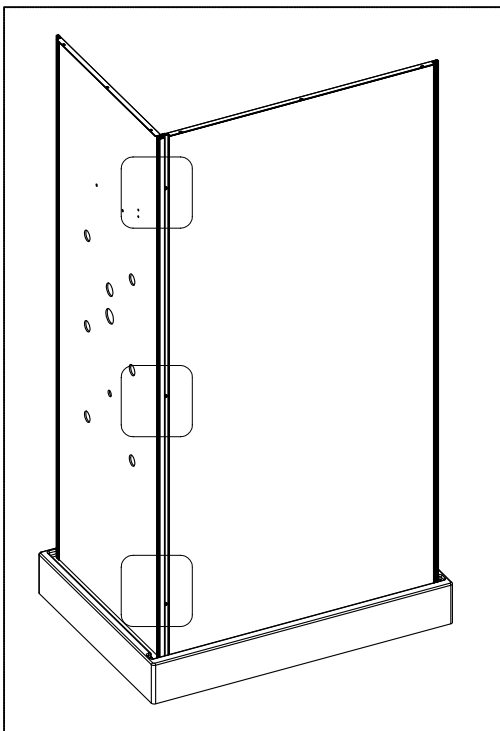
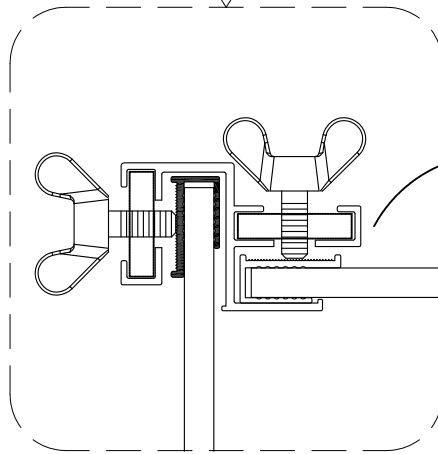
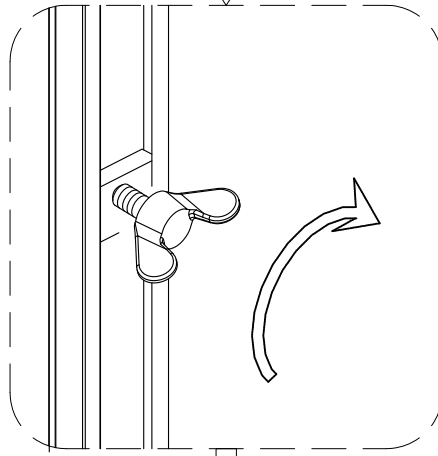
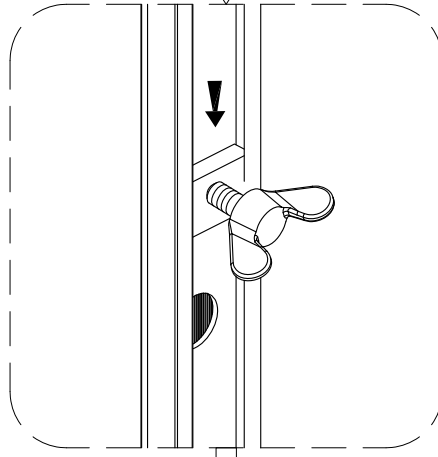
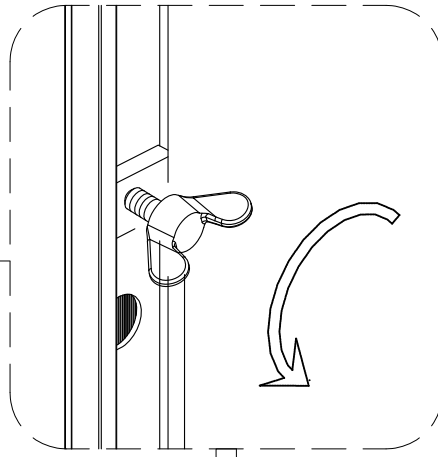
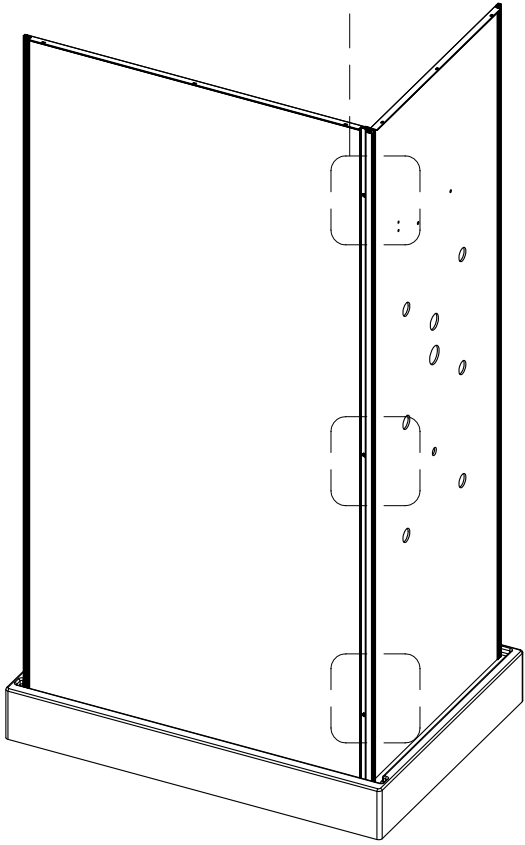


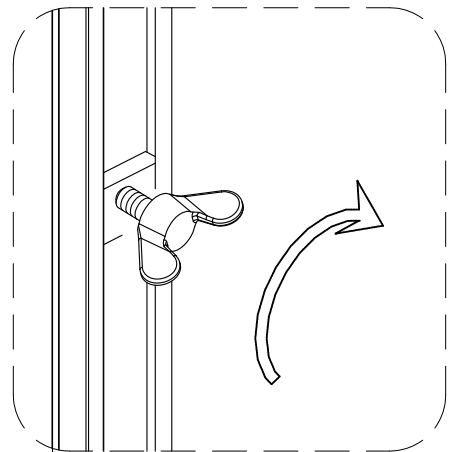
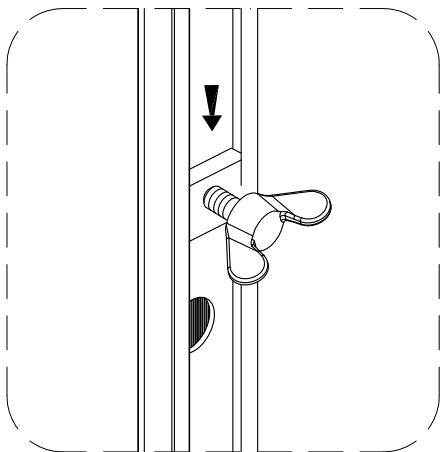
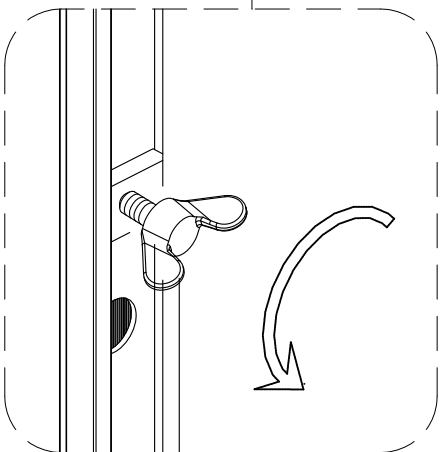
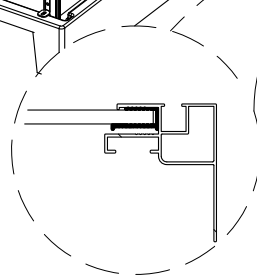
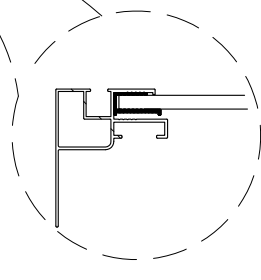
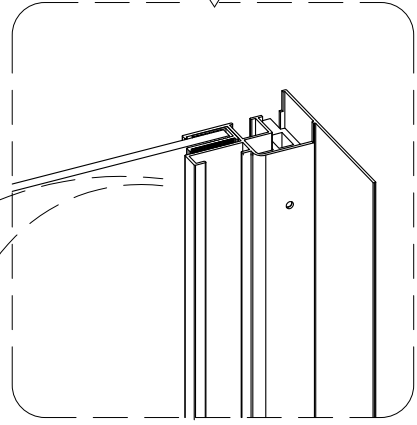
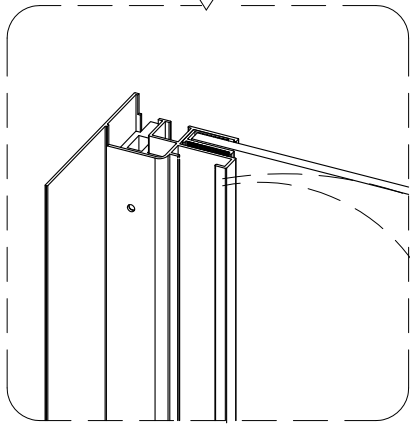
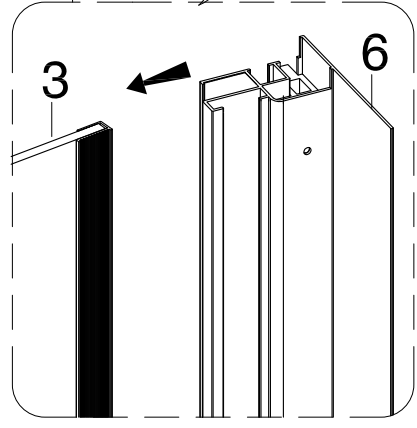
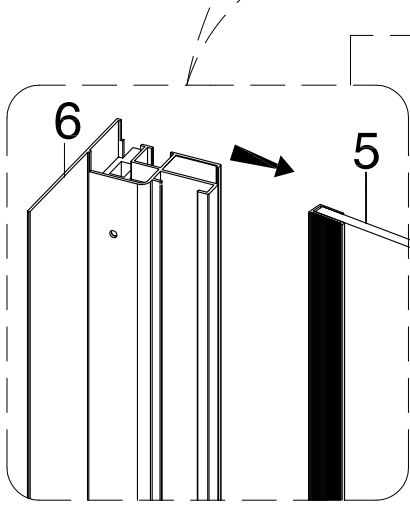
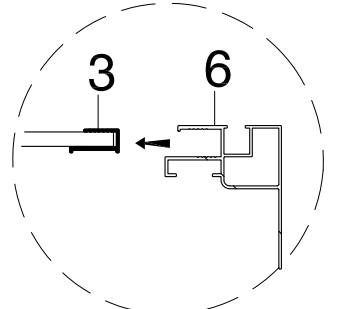
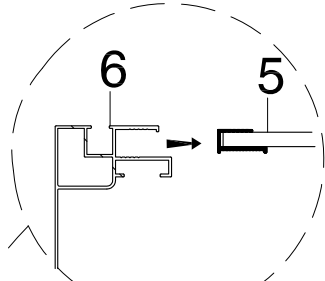
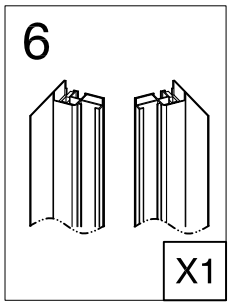


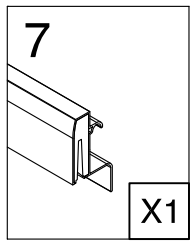
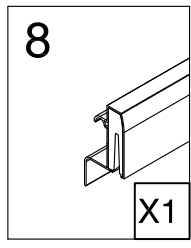
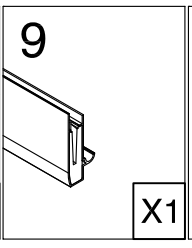
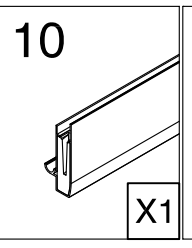
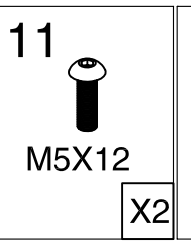
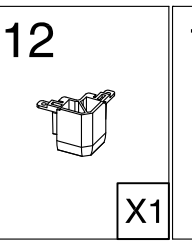
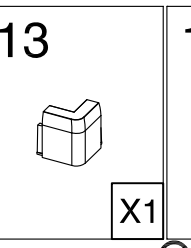
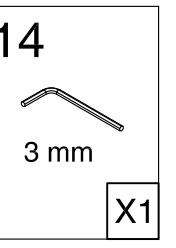
1  X1	2  X1	3  X1	4  X1	5  X1	6  X1	7  X1
8  X1	9  X1	10  X1	11  M5X12 X2	12  X1	13  X1	14  3 mm X1
15  X1	16  X1	17  X1	18  X1	19  5 mm X1	20  6 mm X1	21  X2
22  X2	23  ST3.9X19 X2	24  ST3.9X13 X2	25  X1	26  X2	27  X2	28  X1
29  X1	30  X1	31  X1	32  X1	33  X1	34  X1	35  X1
36  X5	37  X1	38  X1	39  X1	40  X1	41  X1	42  X1
43  X1	44  X1	45  ST3.9X13 X6	46  X1	47  X1	48  X1	49  X1
50  X2	51  X4	52  X1	53  X2	54  X16	55  ST3.9X16 X3	56  X3

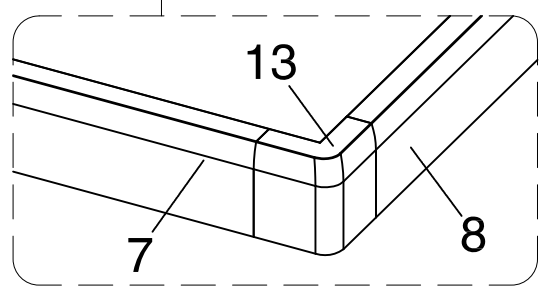
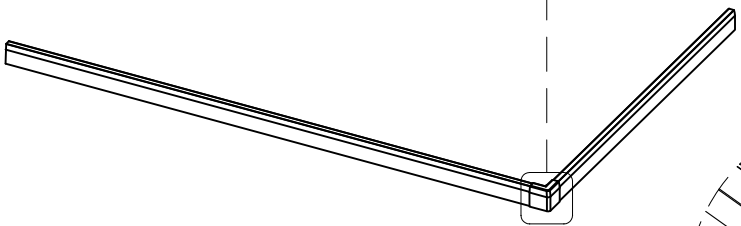
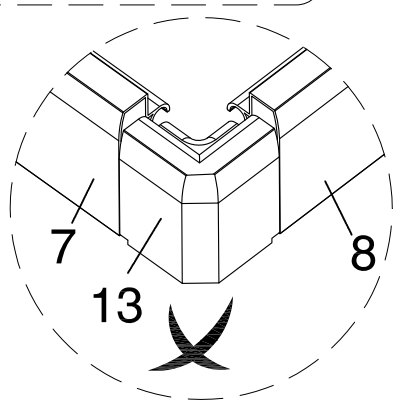
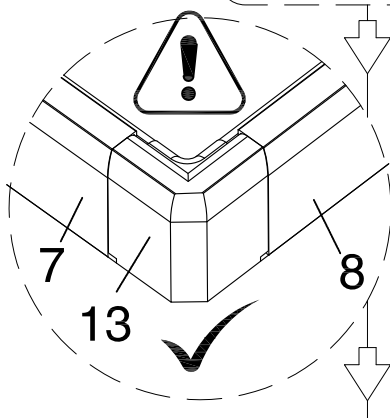
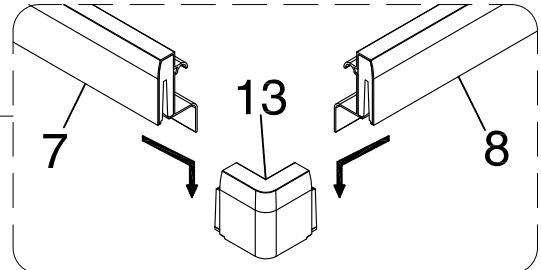
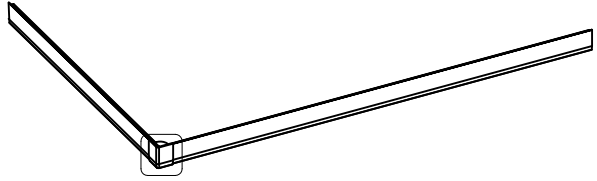
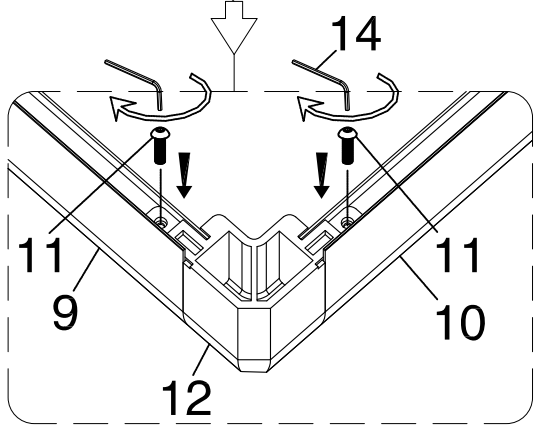
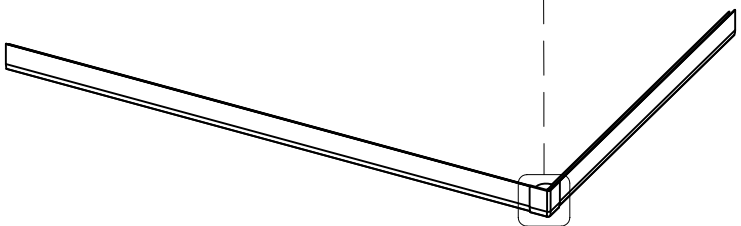
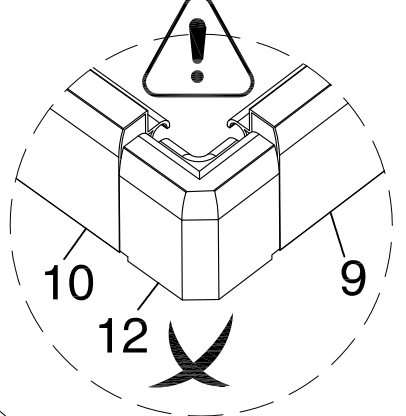
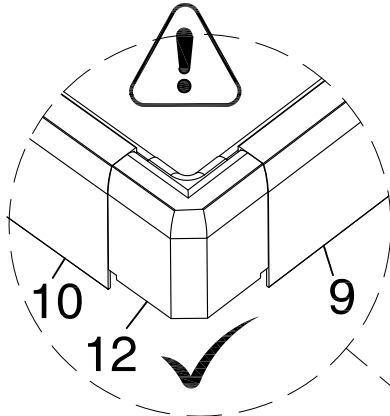
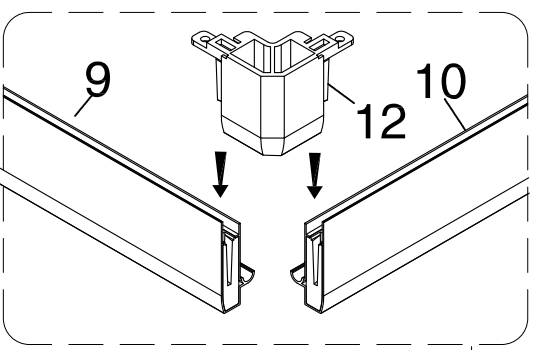


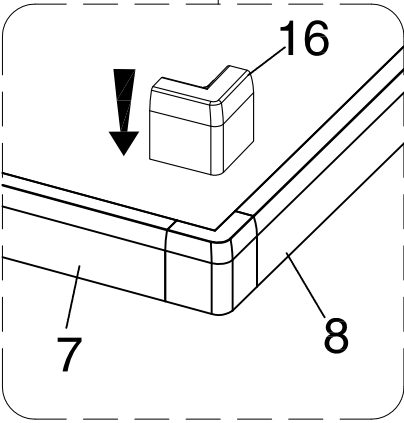
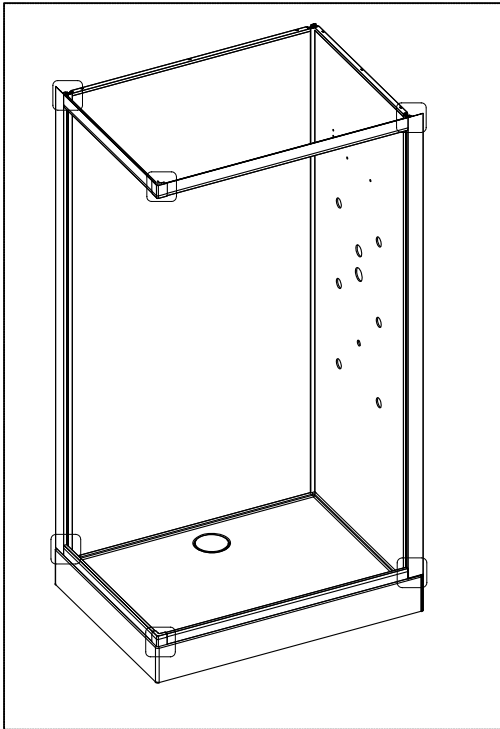
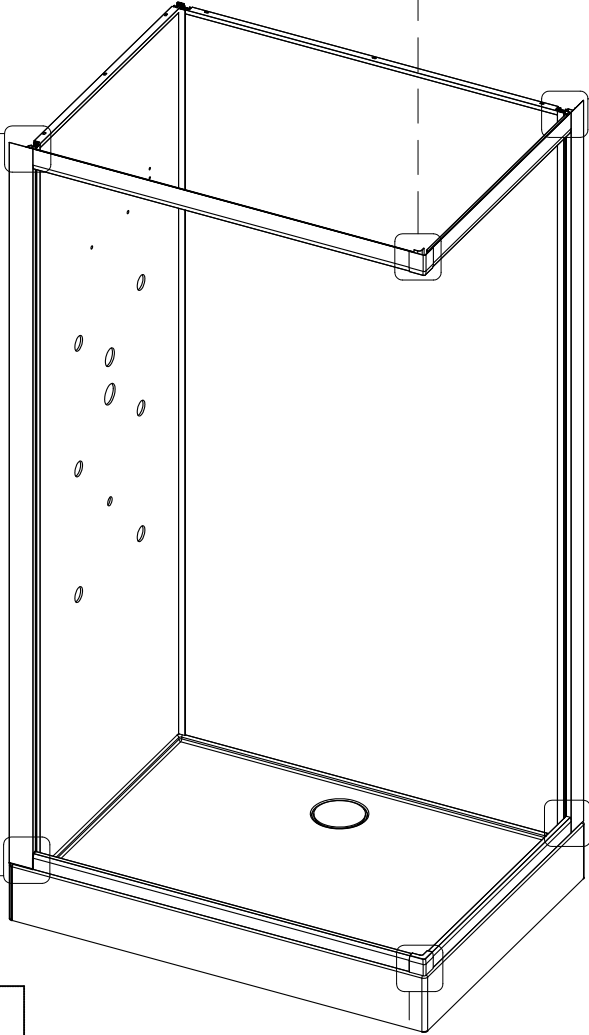
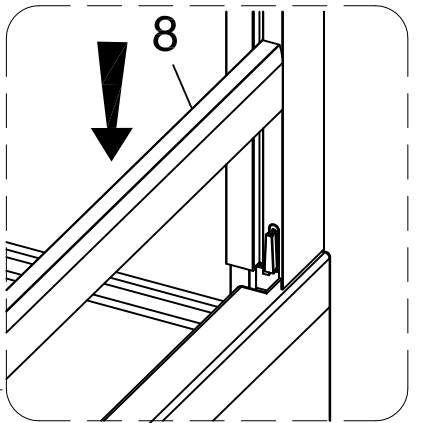
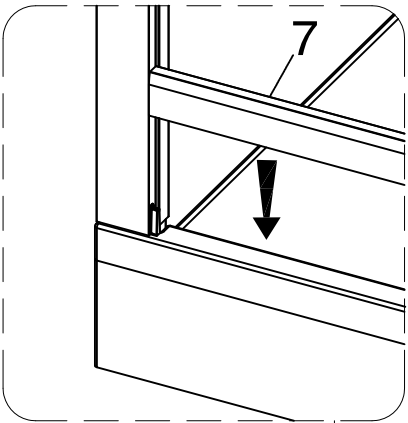
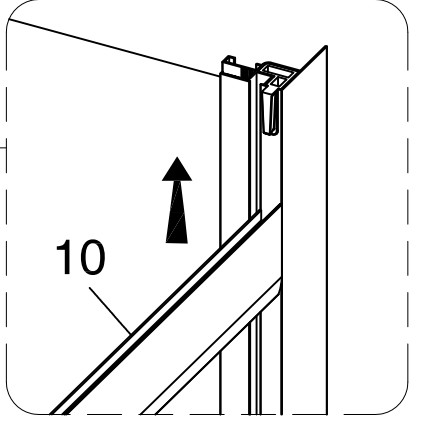
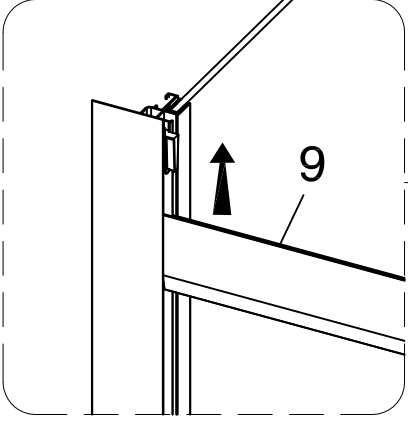
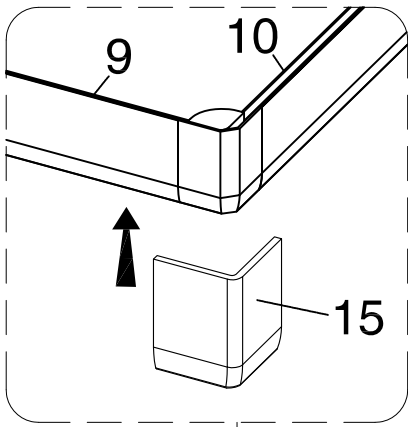
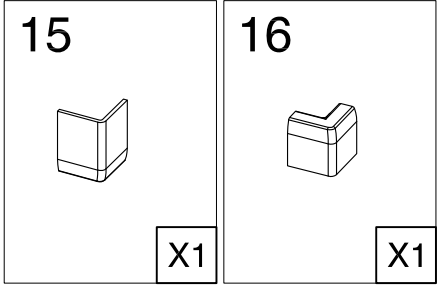


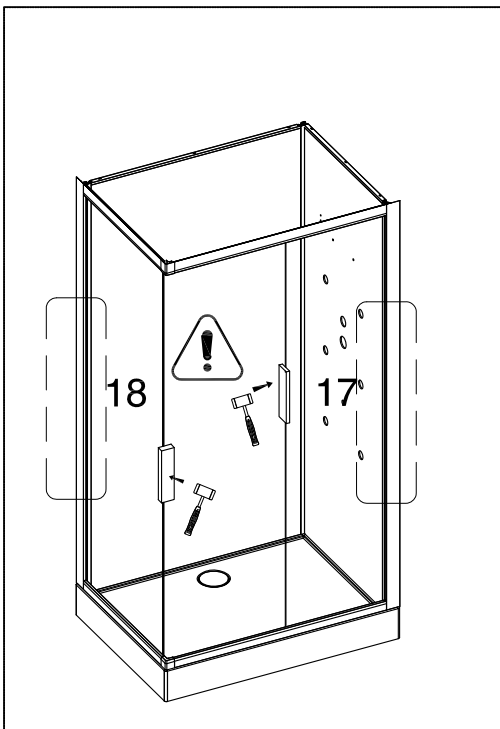
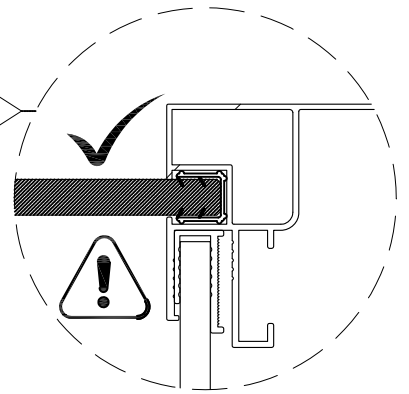
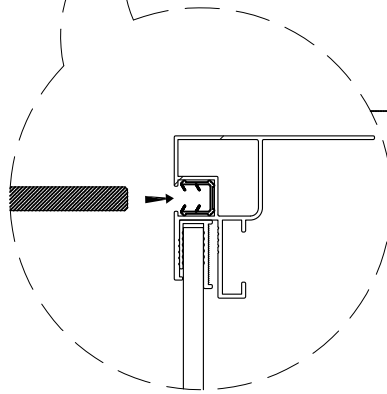
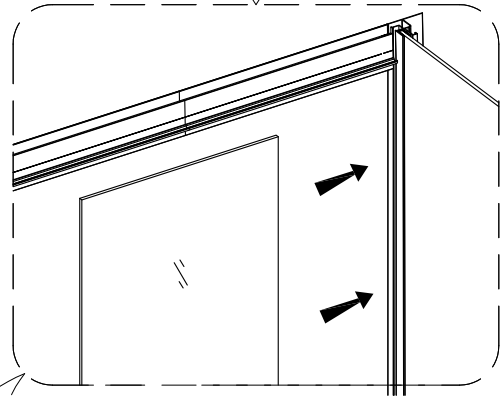
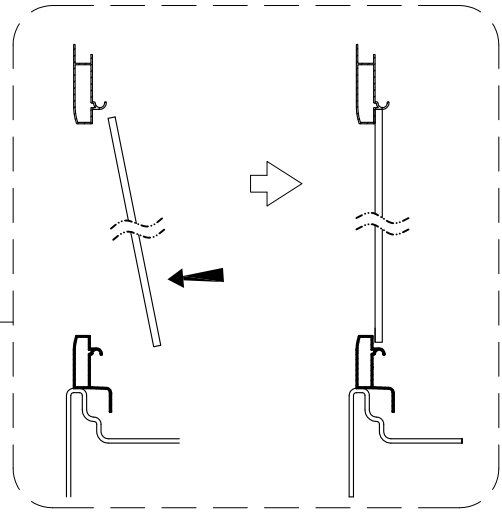
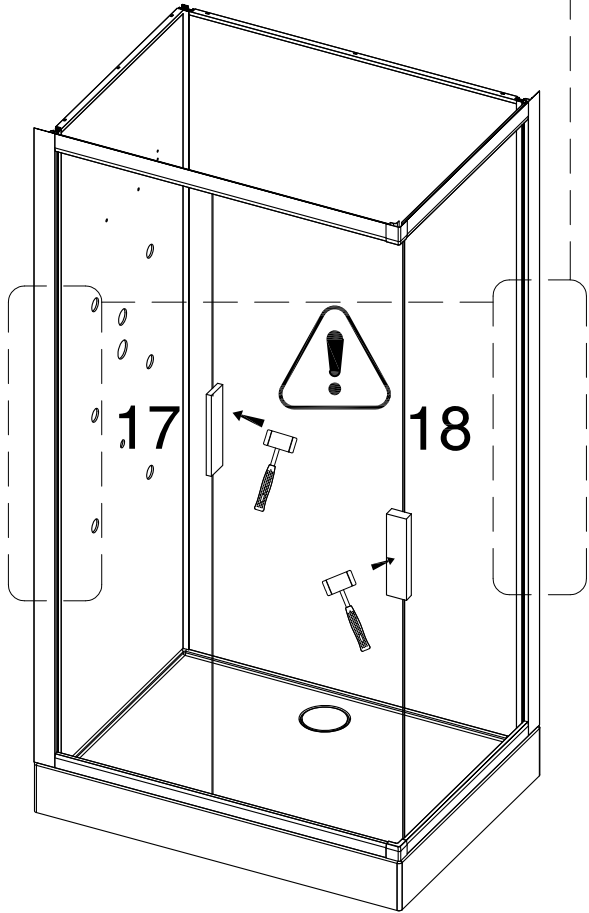
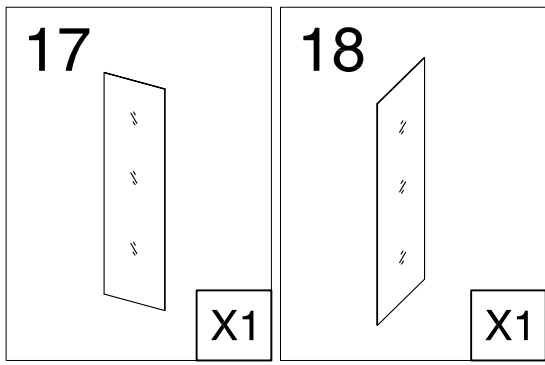



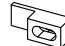
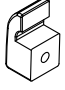





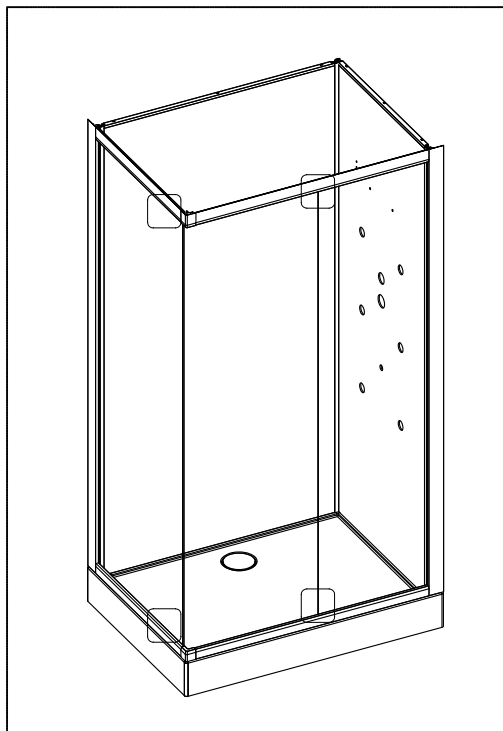
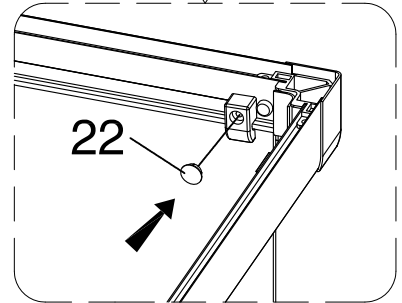
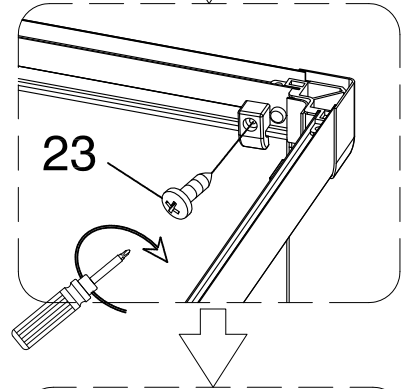
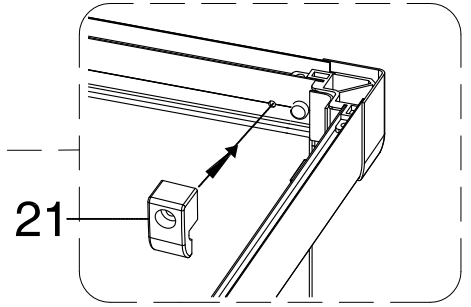
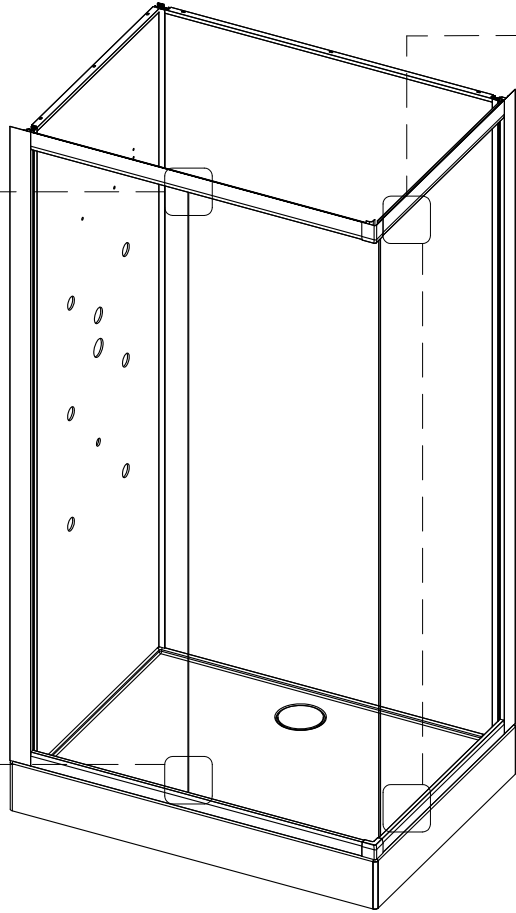
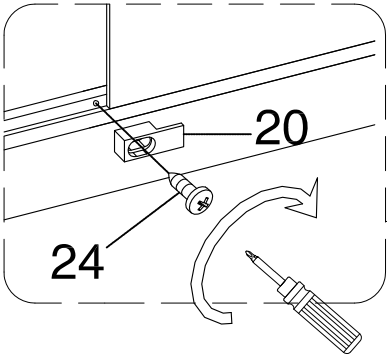
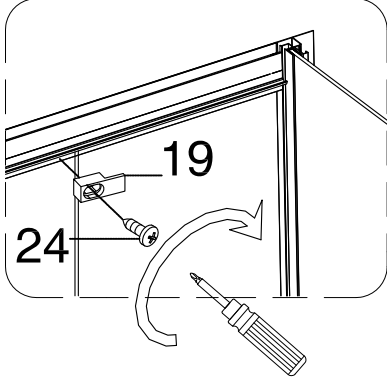
7  X1	8  X1	9  X1	10  X1	11  M5X12 X2	12  X1	13  X1	14  3 mm X1
--	---	---	--	---	---	--	--

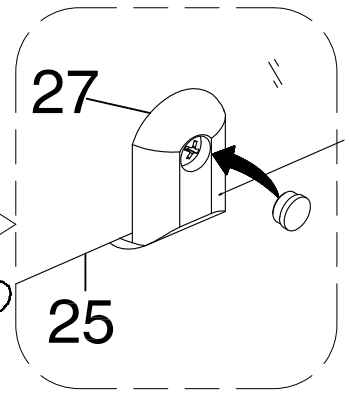
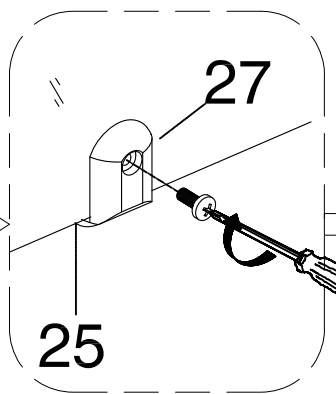
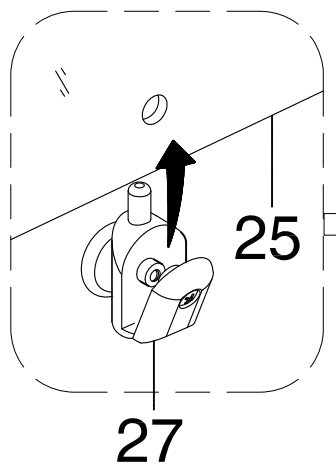
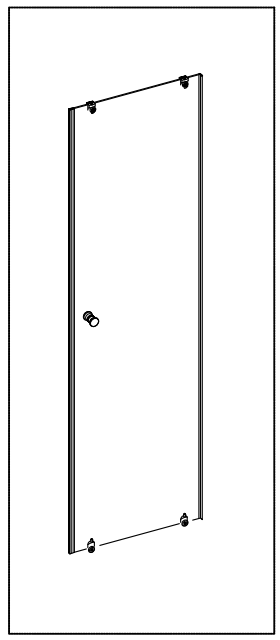
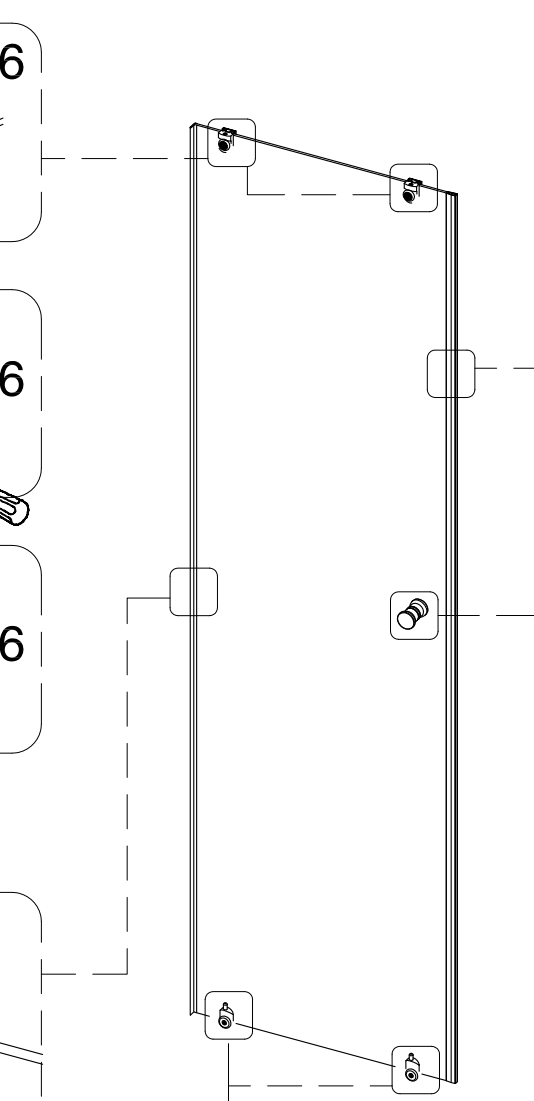
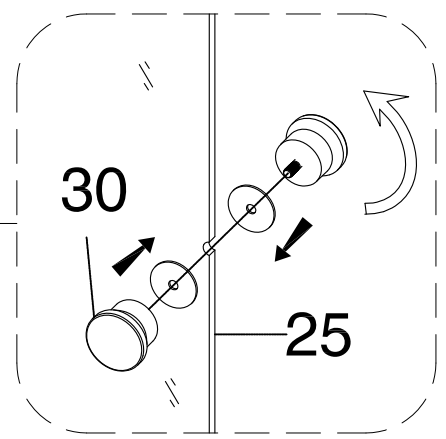
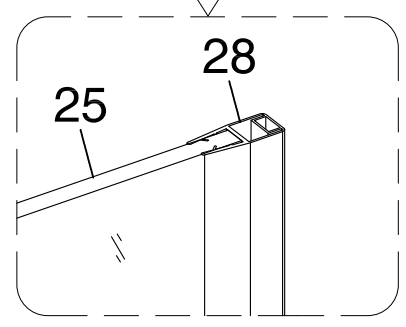
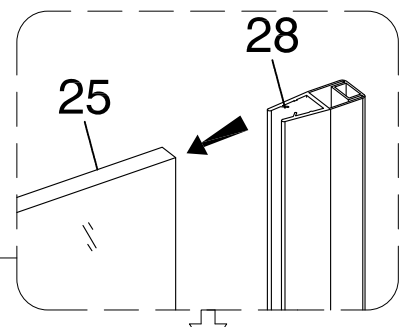
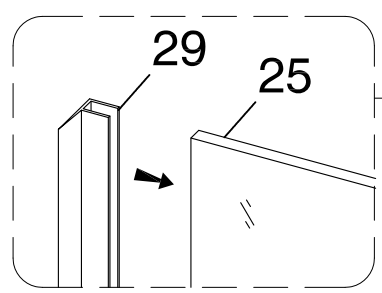
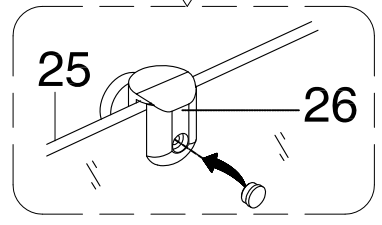
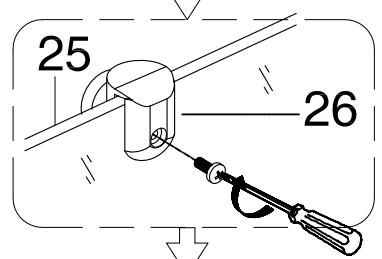
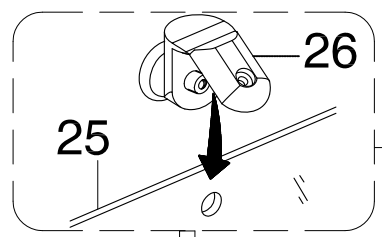
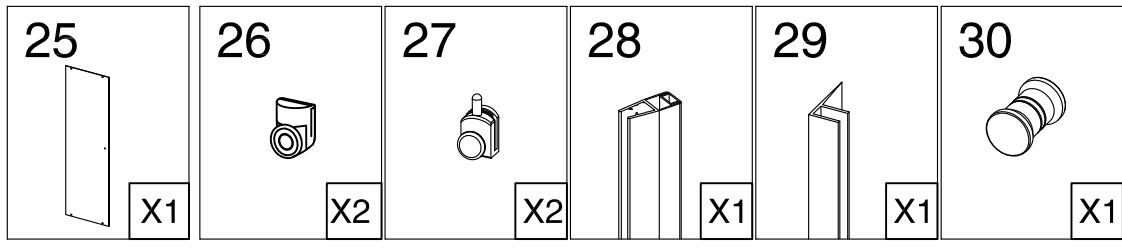


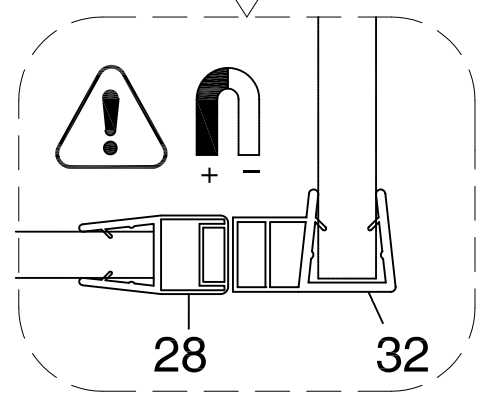
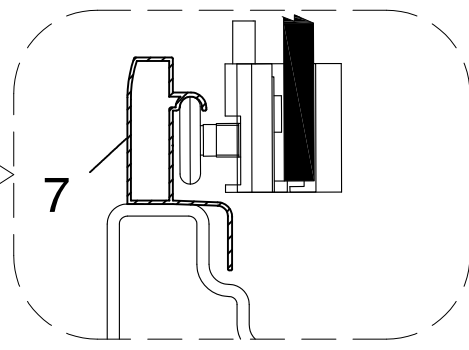
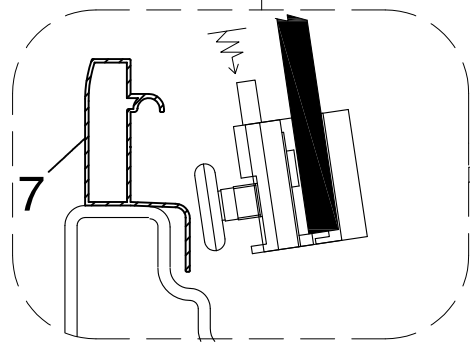
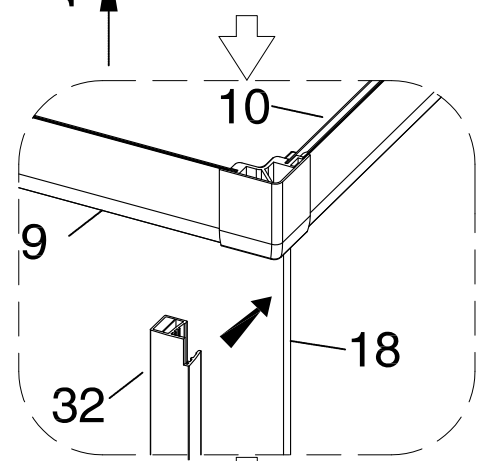
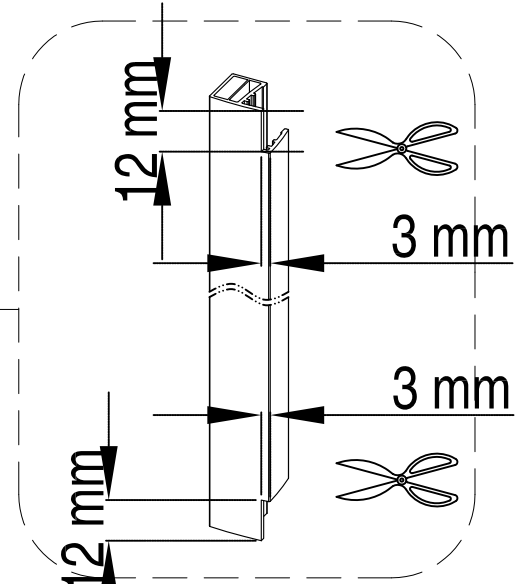
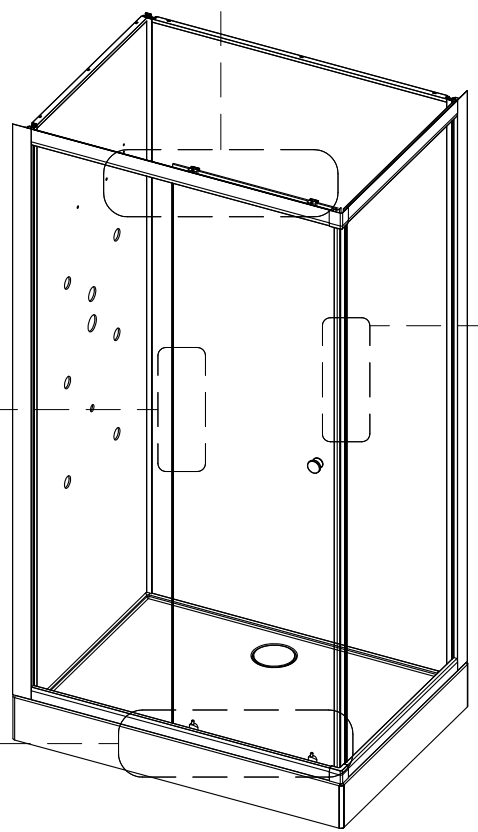
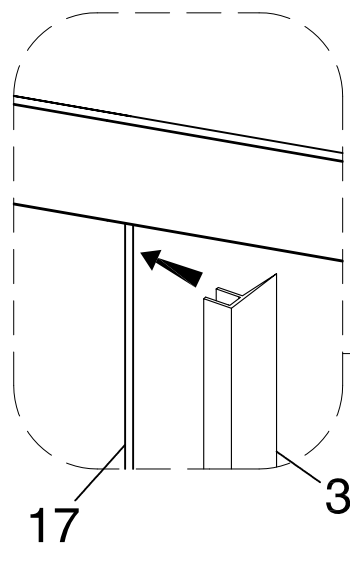
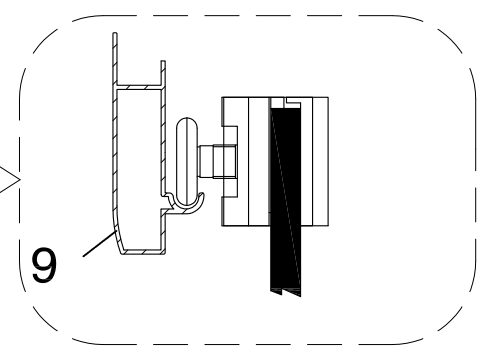
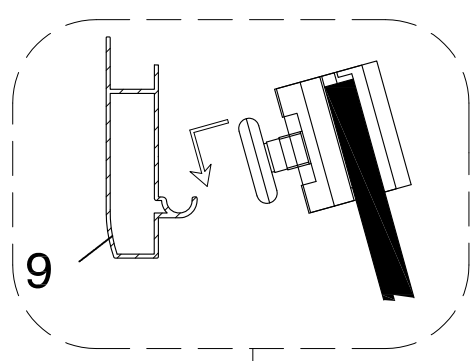
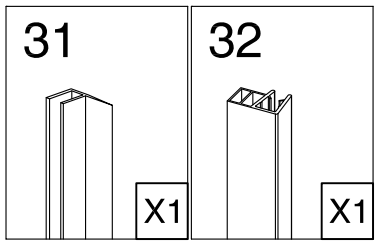


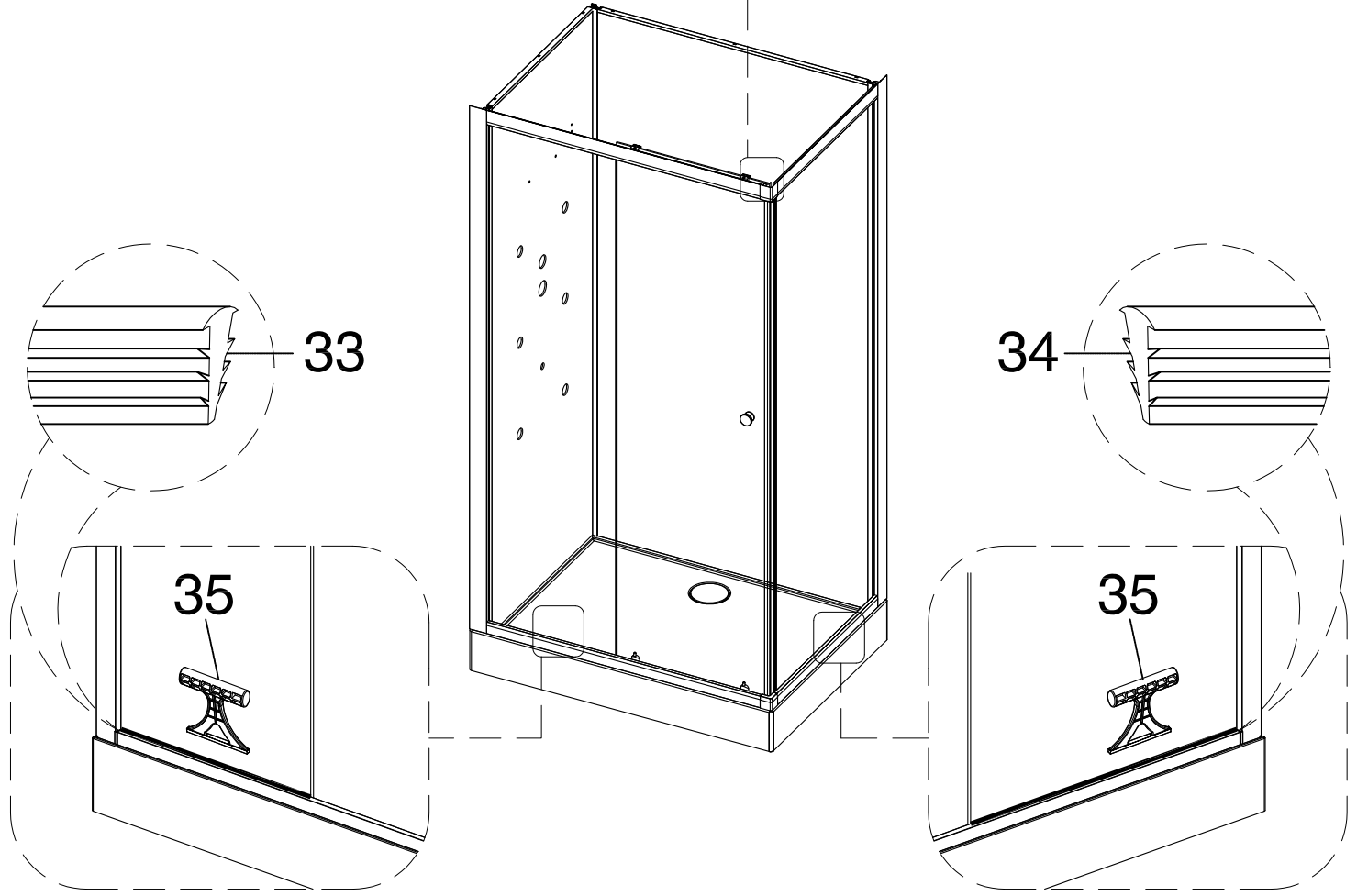
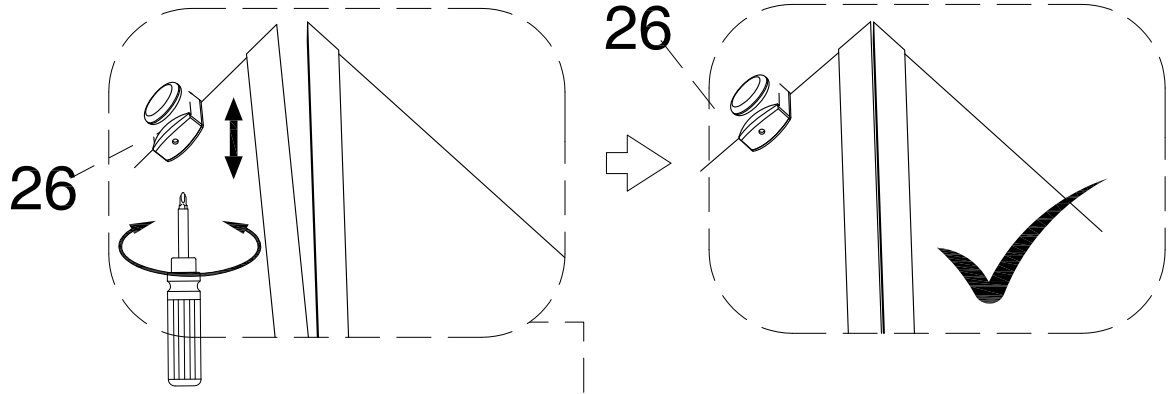
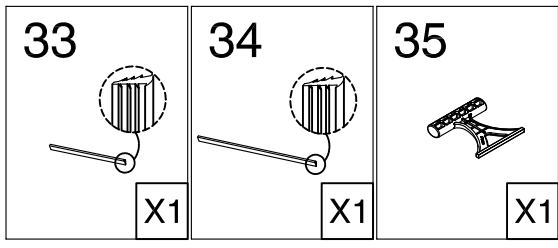


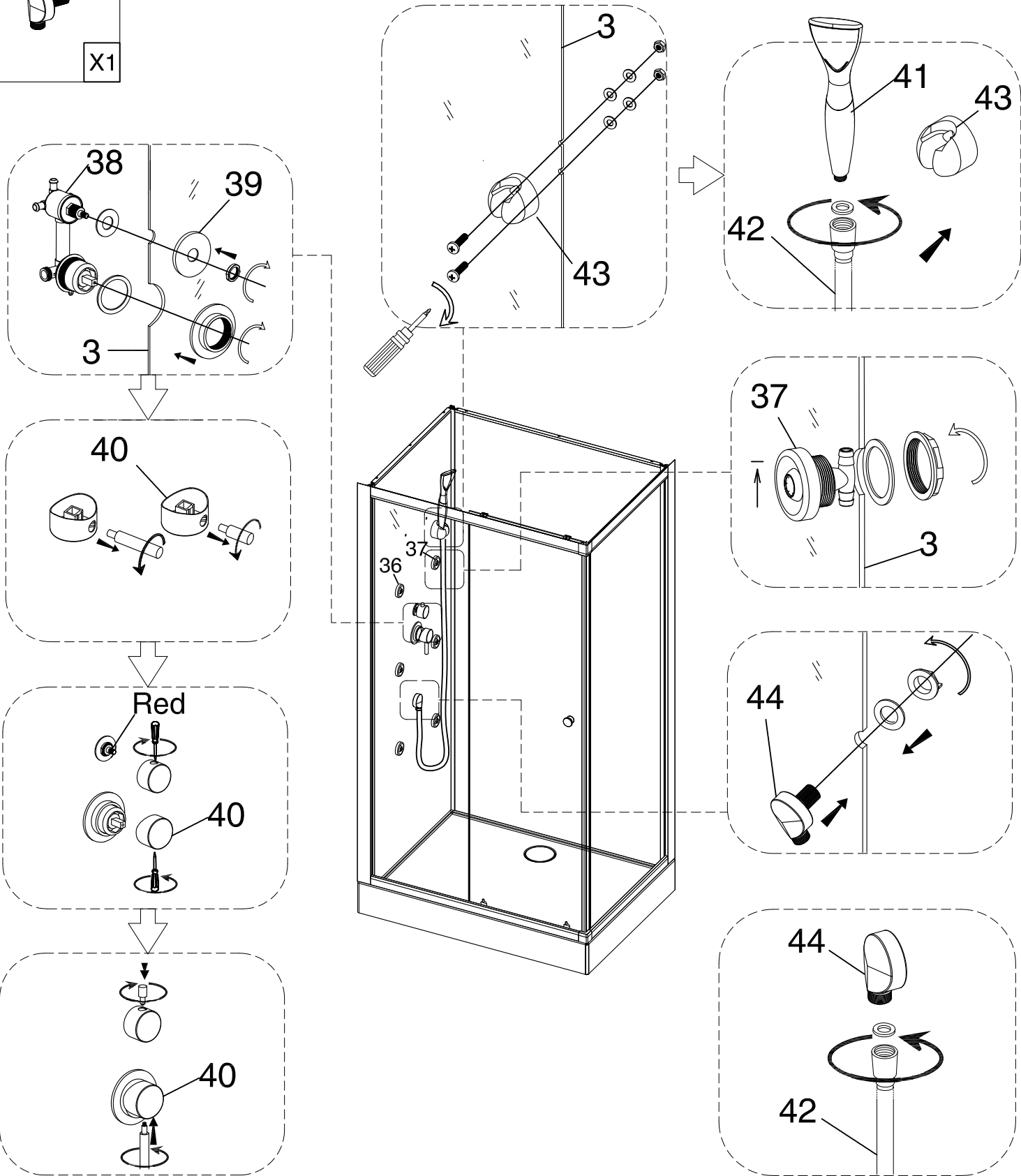
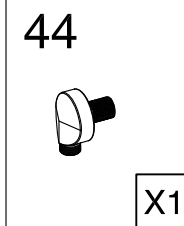
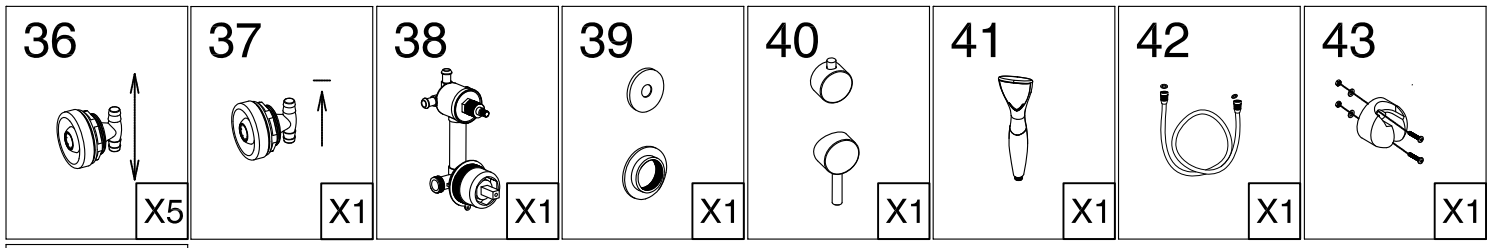
<p>19</p>  <p>5 mm</p> <p>X1</p>	<p>20</p>  <p>6 mm</p> <p>X1</p>	<p>21</p>  <p>X2</p>	<p>22</p>  <p>X2</p>	<p>23</p>  <p>ST3.9X19</p> <p>X2</p>	<p>24</p>  <p>ST3.9X13</p> <p>X2</p>
---	--	--	--	--	--


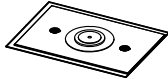
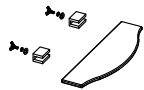
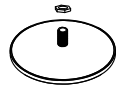


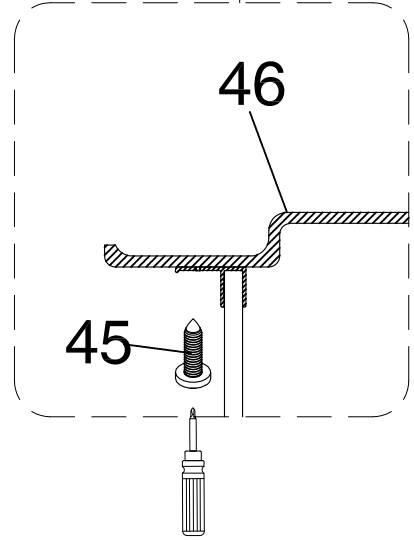
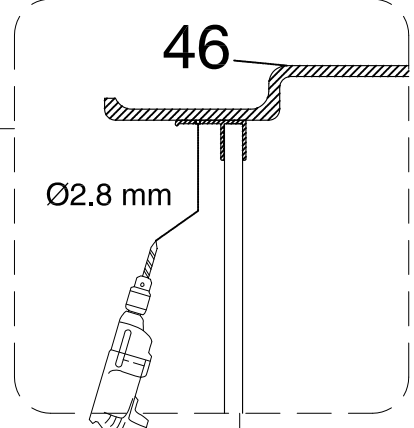
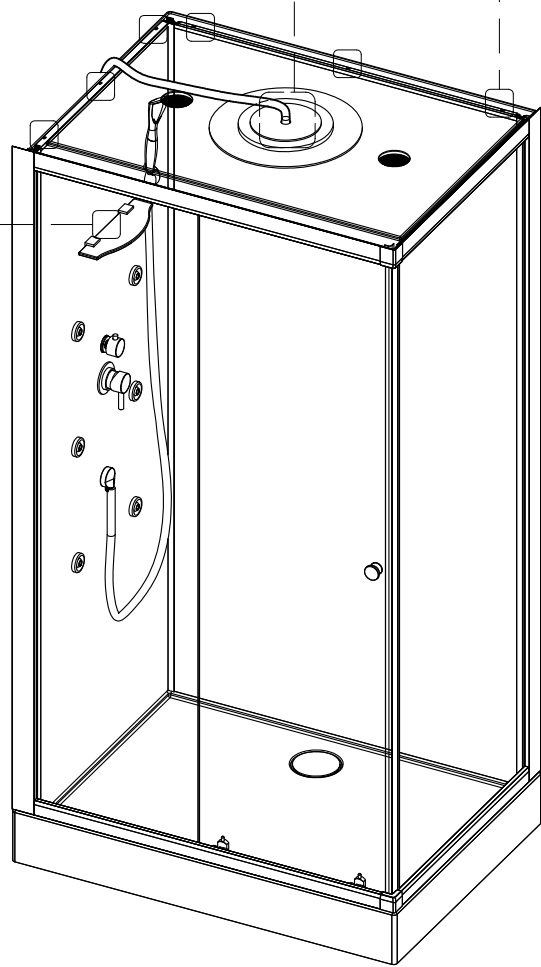
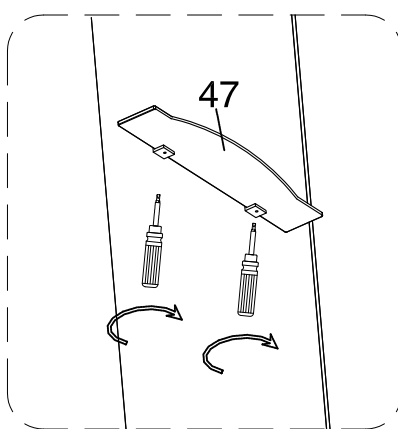
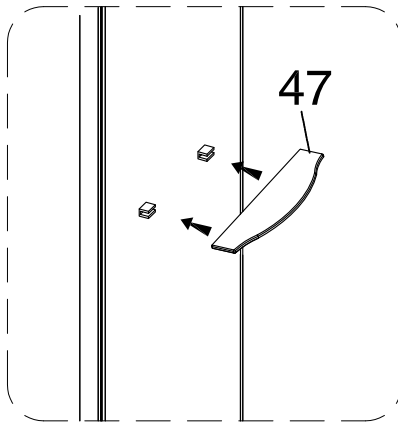
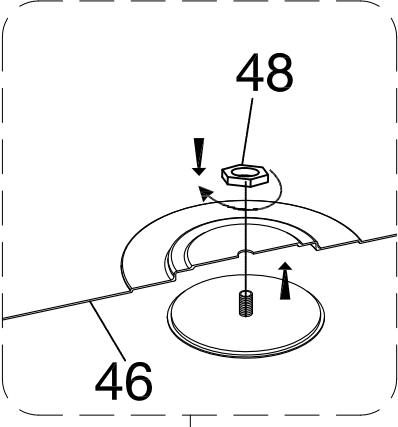
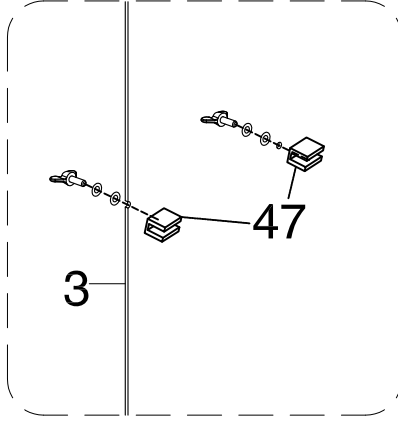




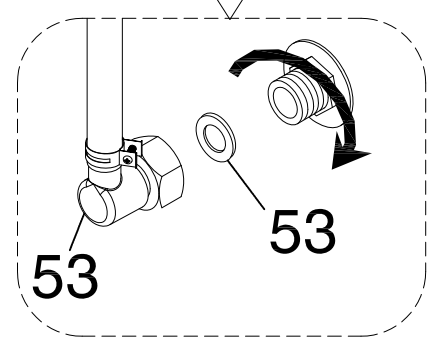
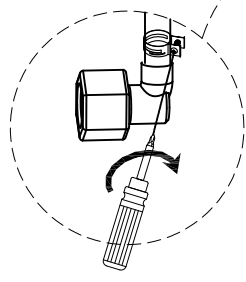
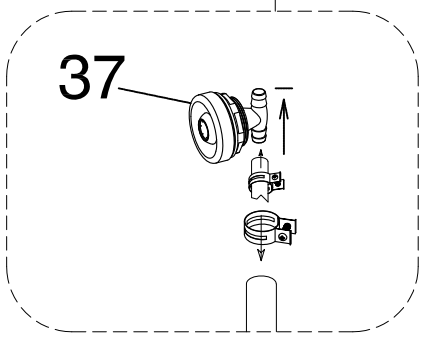
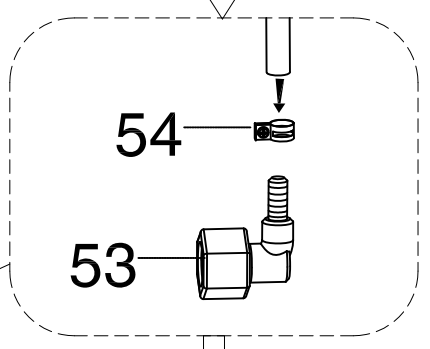
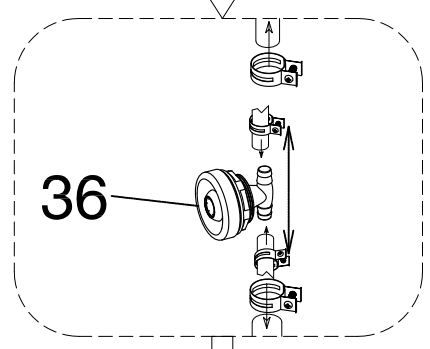
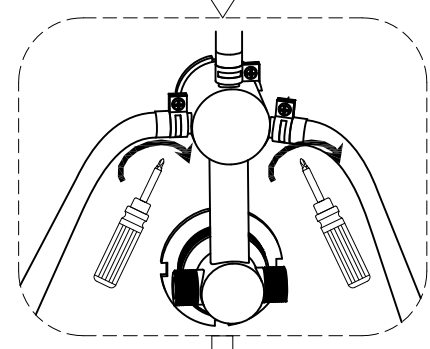
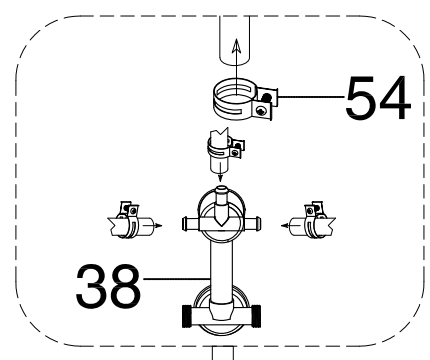
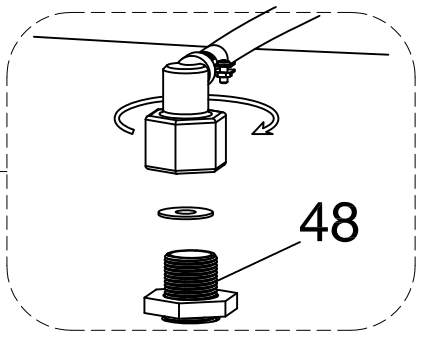
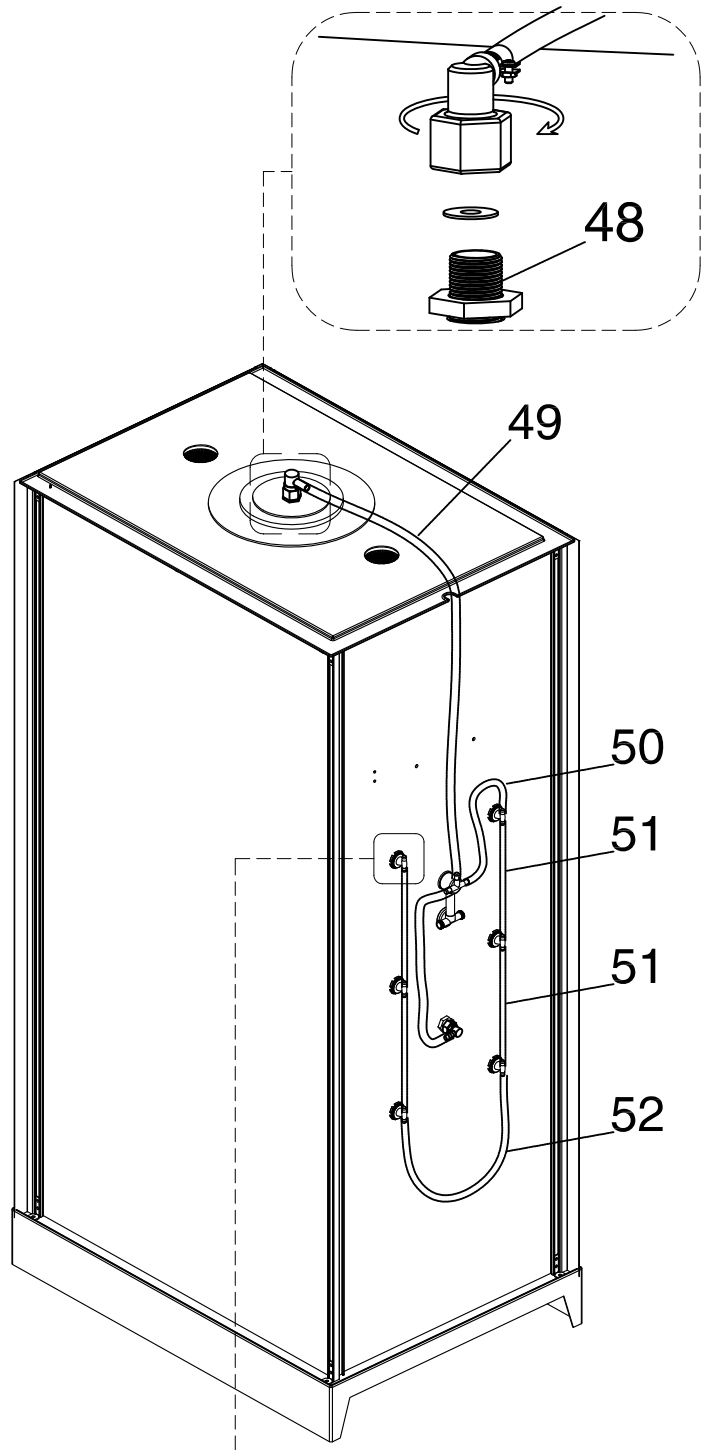






<p>45</p>  <p>ST3.9X13</p> <p>X6</p>	<p>46</p>  <p>X1</p>	<p>47</p>  <p>X1</p>	<p>48</p>  <p>X1</p>
--	---	---	---



49	50	51	52	53	54
X1	X2	X4	X1	X2	X16



<p>55</p>  <p>ST3.9X16</p> <p>X3</p>	<p>56</p>  <p>X3</p>
--	---

