



Safety Instructions
0, 1, 3, 4, 6, 9, 10, 15, 16, 17, 18, 21.

CE

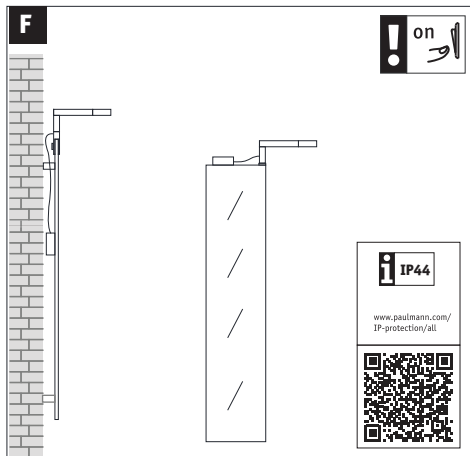
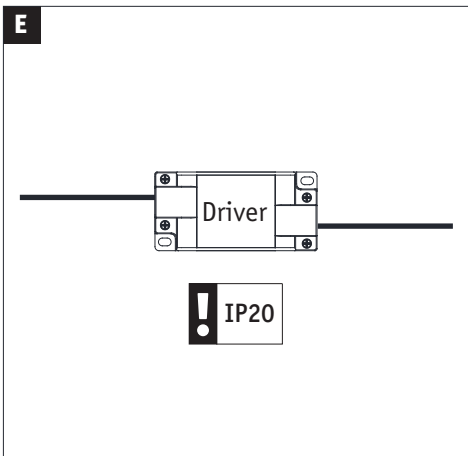
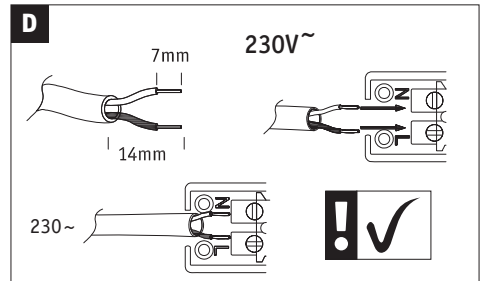
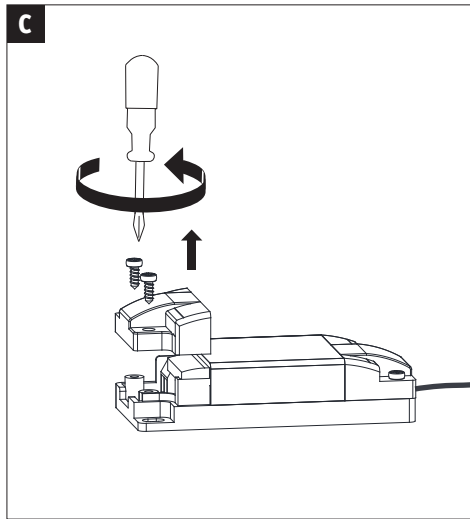
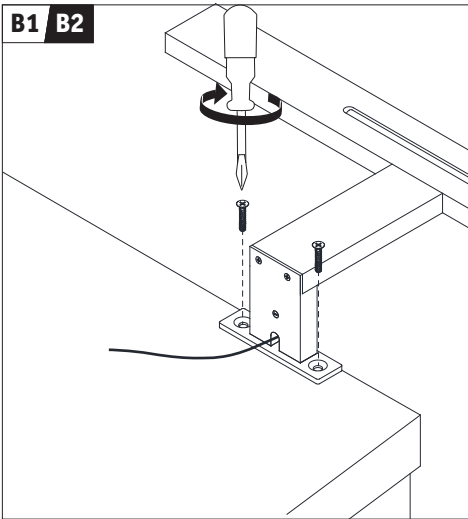
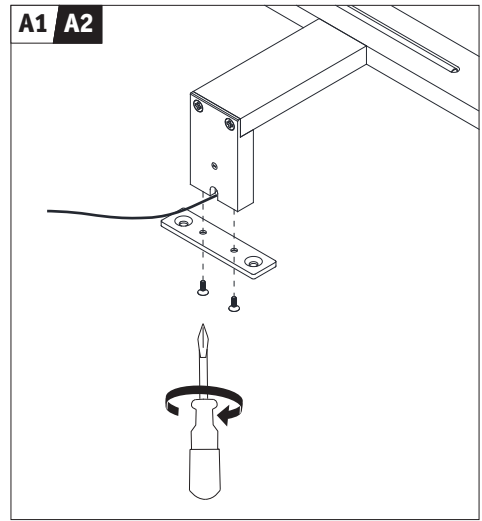
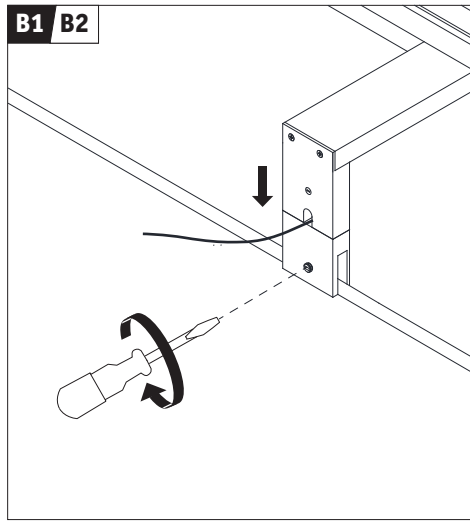
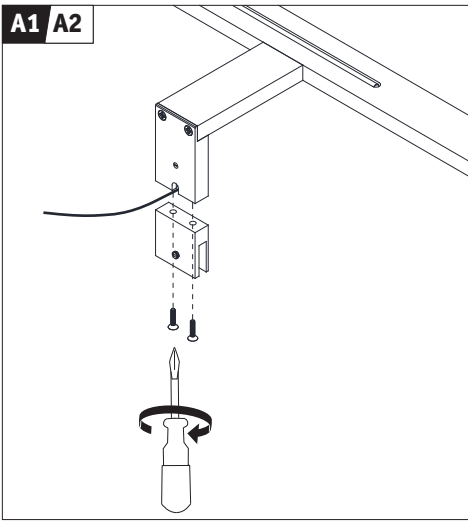
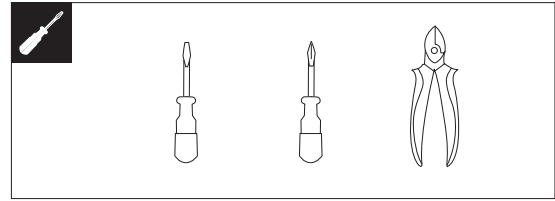
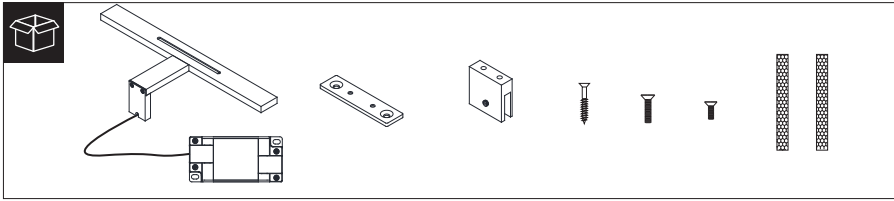
Info Hotline

+49 (0) 5041 998 389
Mon. - Do. 7⁰⁰ - 20⁰⁰
Fr. 7⁰⁰ - 17⁰⁰

Paulmann Licht GmbH
Quezinger Feld 2
31832 Springe
Germany
www.paulmann.com

Art.-Nr.: 993.85

(+ MA 173) PAU 04/16



Safety Instructions
Nr.0, 1, 4

L N