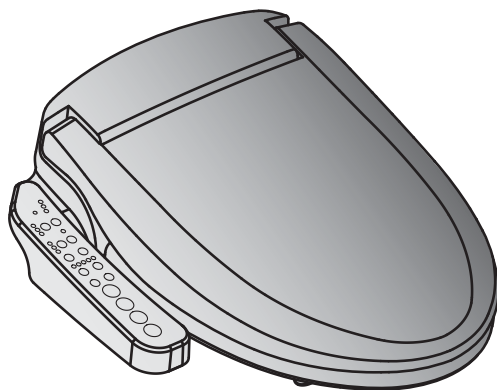


Personal Hygiene Appliance

Blooming Bidet



NB-1160D
NB-1120D

Contents

< English > < Germany >

- **This product was manufactured for household use only.**
Dieses Produkt wurde nur für den häuslichen Gebrauch hergestellt.
- **Read all operating instructions before installation and use.**
Bitte lesen Sie sorgfältig die Bedienungsanleitung, bevor Sie das Gerät anschließen und benutzen.
- **Please save this operating instruction manual and place in an easily accessible location.**
Bitte bewahren Sie die Bedienungsanleitung sorgfältig auf.
- **External appearance and specifications are subject to change for improvement of product without notice.**
Wir behalten uns vor, das Design oder die Technik des Gerätes ohne Vorankündigung verändern zu dürfen.

Important Safeguards	2	21
Wichtige Schutzvorrichtungen		
Parts Identification	5	24
Auflistung der Bestandteile		
Basic Instructions	7	26
Kurzanleitung		
Functions & Operation	8	27
Funktionen & Anwendungen		
Installation	11	30
Installation / Montage		
Trial Operation	13	32
Dichtigkeitsprüfung		
Detachment	14	33
Deinstallation / Demontage		
Maintenance	15	34
Wartung		
Water Tank Drainage	17	36
Wassertank leeren		
Troubleshooting	18	37
Fehlerbehandlung		
Product Specifications	19	38
Produkt-Spezifikationen		
Warranty	20	39
Garantie		

Important Safeguards

READ ALL INSTRUCTIONS BEFORE USING.

DANGER To reduce the risk of electrocution.

- Do not use while bathing.
- Do not place or store product where it can fall or be pulled into a tub or sink.
- Do not place in or drop into water or other liquid.
- Do not reach for a product that has fallen into water. Unplug immediately.

WARNING To reduce the risk of burns, electrocution, fire or injury to persons.

- If the supply cord is damaged, it must be replaced by the manufacturer, its service agent or similarly qualified persons in order to avoid a hazard.
- Connect this product to a properly grounded outlet only.
- Unplug the appliance during cleaning.
- Do not touch the power plug with wet hands.
- Properly connect the power cord to the electrical outlet corresponding to the rated voltage of the unit.
- Keep the cord away from heated surfaces.
- Do not use damaged or loose power cord.
- Before removing the unit from the toilet bowl, disconnect the power plug first.
- Do not connect other electrical appliances to the same power socket connected to the unit.
- Children should be supervised to ensure that they do not play with the appliance.
- This appliance is not intended for use by persons (including children) with reduced physical, sensory or mental capabilities, or lack of experience and knowledge, unless they have been given supervision or instruction concerning use of the appliance by a person responsible for their safety.
- Use this product only for its intended use as described in this manual.
Do not use any attachments unless recommended by the manufacturer.
- Never operate this product if it has a damaged cord or plug, if it is not working properly, if it has been dropped or damaged, or dropped into water.
Return the product to a service center for examination and repair.
- Never block the air openings of the product or place it on a soft surface, such as a bed or couch, where the air openings may be blocked. Keep the air openings free of lint, hair, and the like.
- Any other servicing should be performed by an authorized service representative.
- Close supervision is necessary when this product is used by, on, or near children or invalids.
- Do not dismantle, repair, or alter the unit.

Important Safeguards

WARNING To reduce the risk of burns, electrocution, fire or injury to persons.

- Never use while sleeping or drowsy.
- Never drop or insert any object into any opening or hose.
- Do not use outdoors. or operate where aerosol(spray) products are being used or where oxygen is being administered.
- Do not pour or spray water on to the unit.
- Do not use steam cleaner.
- Keep the unit away from fires or inflammable substance.
- Do not connect to the industrial water supplies.
- Do not put any lighted cigarette or burning material in the toilet.
- Caution against low temperature burns.
- New hose-sets supplied with the appliance are to be used and that old hose-sets should not be reused.

CAUTION To reduce the risk of injury to persons or damage to the product or the property.

- **Do not place heavy objects or step on the unit.**
It may cause product damage or injury.
- **When cleaning the unit, do not use any chemicals. Clean the unit with moist, well-wrung soft cloth. For excessive stains, use soft cloth moistened with mild dish-wash detergent and wipe out with dry cloth.**
It may cause product damage.
- **Do not slam down the lid.**
It may cause product defect.
- **Do not lean on the lid.**
It may cause product defect.
- **When not in use for a long period of time, disconnect the power plug and drain the water tank.**
Tank water may be contaminated and cause skin troubles.
- **Do not twist or pull the connection hoses.**
It may affect water supply or cause water leakage.
- **Do not cover up the warm air outlet or insert hands or other objects.**
It may cause burn or electric shock.
- **Do not operate the unit during product malfunction.**
Disconnect the power plug and call the authorized service center.
It may cause fire or electric shock if the unit is operated while it is out of order.

Important Safeguards

Marking



This marking shown on the product or its literature, indicates that it should not be disposed with other household wastes at the end of its working life. To prevent possible harm to the environment or human health from uncontrolled waste disposal, please separate this from other types of wastes and recycle it responsibly to promote the sustainable reuse of material resources.

Household users should contact either the retailer where they purchased this product, or their local government office, for details of where and how they can take this item for environmentally safe recycling.

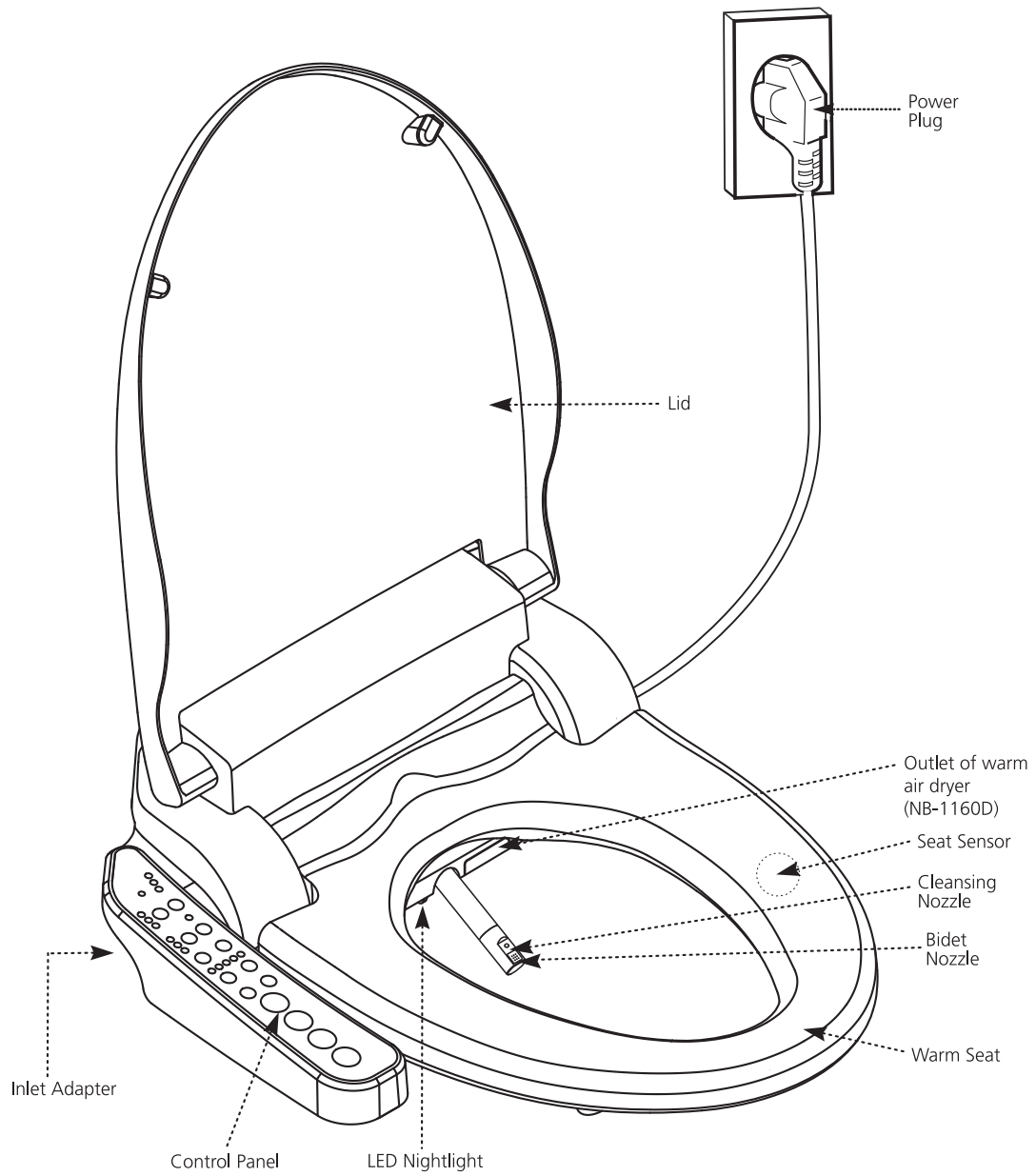
Business users should contact their supplier and check the terms and conditions of the purchase contract.

This product should not be mixed with other commercial wastes for disposal.

- Ingress of water protection : IPX4 (Warm seat only)

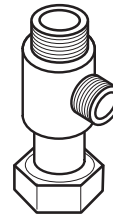
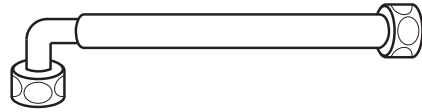
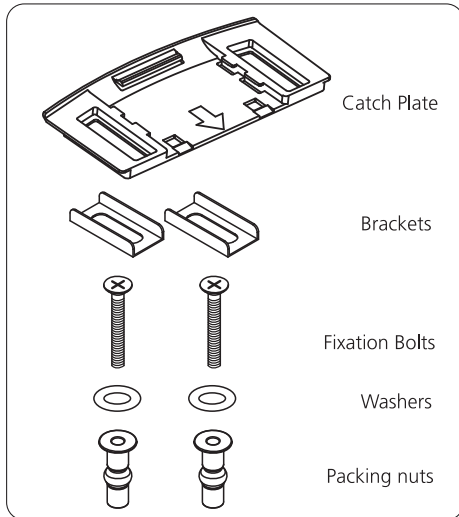
Parts Identification

Blooming Bidet

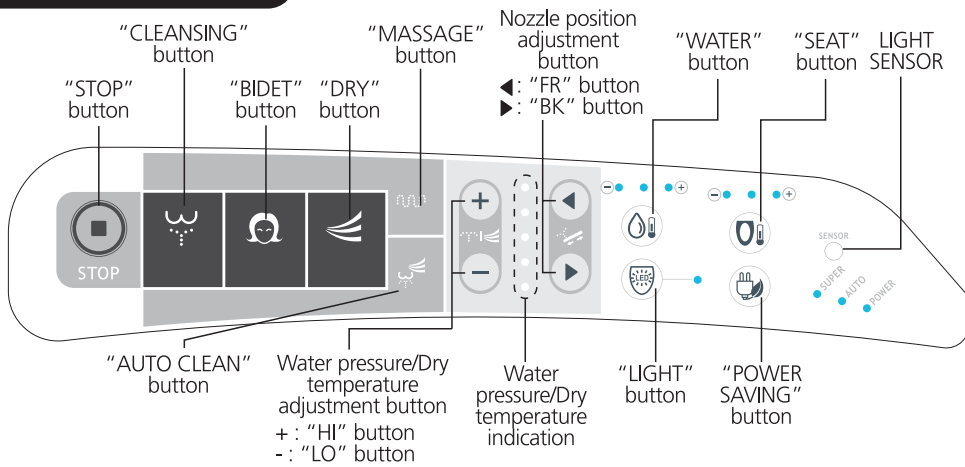


Parts Identification

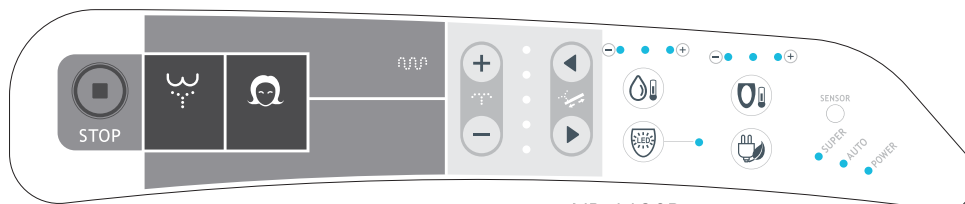
Accessory Parts



Control Panel



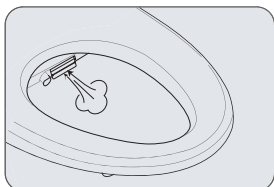
< NB-1160D >



< NB-1120D >

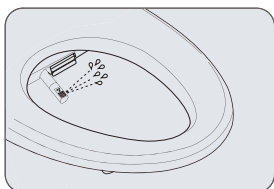
Basic Instructions

① Sit on the seat



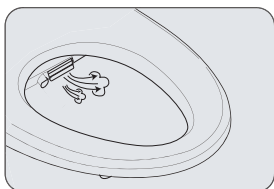
- When seated, the Water pressure/Dry temperature indication lights up.

② Press the "CLEANSING" or "BIDET" button



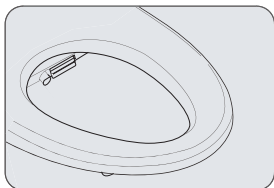
- Operate either the "CLEANSING" or the "BIDET" function.
- Each function operates for 1 minute.
- Move cleansing runs by pressing "CLEANSING" or "BIDET" button while using.

③ Press the "DRY" button (NB-1160D)



- The Water pressure/Dry temperature indication lights up and warm air dryer starts.
- Dryer function will operate for 3 minutes. (Running for 1 minute in auto-clean mode)
- Drying operation can be maximized by gently wiping wet area with toilet paper.

④ Press the "STOP" button



- Stops all operating functions.

- When using the unit, please sit in center.
- The seat sensor is installed the inside of the seat part. (Please refer to 5 page.) The unit begins to operate only when a user's skin touch on the seat sensor. **In case of a seat cover or something on the seat, the seat sensor may not operate because the seat sensor can't sense a user's skin.**
- If the "CLEANSING" or "BIDET" function is operated for a long time, water temperature will drop gradually. To regain warm water, resume operation after 3 minutes.

Functions & Operation

● Move (Oscillating Wash)

- Move cleansing runs by pressing "CLEANSING" or "BIDET" button while cleansing or bidet cleansing.
- Nozzle stops by pressing "CLEANSING" or "BIDET" button again.

● Water Pressure Adjustment

- The Water pressure/Dry temperature indication lights up when the seat is occupied. The unit remembers the last water pressure settings.
- Water pressure can be adjusted by pressing the "HI" or "LO" button.
- When the seat is unoccupied, the indication of water pressure level goes out.

● Nozzle Position Adjustment

- Press the "FR" or "BK" button to adjust the nozzle position during "CLEANSING" or "BIDET" function.
- The unit remembers the last nozzle position settings.

● Water Temperature Adjustment

- Press the "WATER" button to adjust the water temperature level.
Select the desired level.

● Warm Seat Temperature Adjustment

- Press the "SEAT" button to adjust the seat temperature level.
Select the desired level.

※ The unit remembers the water and seat temperature settings even if the power is shut off.
No need to readjust the temperature settings after a power failure.

● Warm Air Dryer Temperature Adjustment (NB-1160D)

- During the dryer operation, the Water pressure/Dry temperature LED indicates the temperature level of the warm air dryer.
- The unit remembers last warm air temperature settings.
Press "HI" or "LO" button to adjust the temperature of the warm air.

Functions & Operation

LED Nightlight

- LED Nightlight activates by pressing "LIGHT" button and LED Nightlight function runs automatically when getting dark. To cancel the LED Nightlight function, press "LIGHT" button again and LED goes OFF.
- When LED Nightlight function runs, Bidet senses automatically toilet light and LED Nightlight goes on. User can use conveniently bidet without toilet light.
- Electric power consumption is little and use the LED Nightlight function without care about the electric charge.

Auto Power Saving

- Locate the LED indication at "AUTO" position by pressing "POWER SAVING" button.
- It maintains 30 °C for warm water and seat temperature each in the auto power saving mode.
- Auto power saving function is temporarily released, when sitting on the seat. Auto power saving function runs again, when moving away from the seat.
- To cancel auto power saving function, press "POWER SAVING" button, then LED indication goes OFF.

Super Power Saving

- Locate the LED indication at "SUPER" position by pressing "POWER SAVING" button.
- Bidet senses toilet luminosity for itself and shows excellent power saving efficiency in the super power saving mode.
- Water and seat temperature maintain normal temperature in the super power saving function and power saving mode is temporarily released when toilet lightning goes ON.
- It returns to normal mode from power saving mode even if occupying the seat in dark condition.
- To cancel super power saving function, press "POWER SAVING" button, then LED indication goes OFF.

Self Nozzle Cleaning

- Before and after each operation, the self nozzle cleaning function runs and sanitizes the nozzle head.

Nozzle Cleaning

- Press the "CLEANSING" and "BIDET" button simultaneously. The nozzle comes out and stops.
- Clean the nozzle manually with a soft brush. Press the "STOP" button and the nozzle returns to its storage position, then self-cleaning function is operated.

Functions & Operation

Power On/Off

- Press the "STOP" button for more than 4 seconds and then the power indication light goes off. Unit will be power off completely.
- Press any button to start the power on.
- The unit remembers all of the prior settings in spite of an electrical outage so no need to reset functions after power is back.

Massage

- Press massage button and pulsating function runs while cleansing or bidet function are running. (Not operated on the 1st level of water pressure)
- Massage function stops by pressing "MASSAGE" button again.

Burn protecting system at the low temperature

- Seat temperature goes down in case the temperature position is "HI" when sitting on the seat for over 30 minutes. (May cause burns at the low temperature in case sitting on the seat for a long time.)
- It returns to set point when resetting or moving away from the seat.

Auto Cleansing (NB-1160D)

- Move cleansing and warm air dryer run for 1 minute each by pressing "AUTO CLEAN" button.
- The 3rd level for water pressure, the 2nd level for warm air dryer temperature and the last nozzle position that a previous user set are automatically set-up. (Water pressure, warm air dryer temperature and nozzle position can be adjusted according to user preference)
- When using auto clean function, Sensor forces to set the water & seat temperature to "Medium", in case the temperature were set up on the "High" position. (Can adjust the water & seat temperature according to user preference)
- Can return to previous auto-clean function that was set up when canceling auto-clean function or pressing stop button.
- Useful function for the old, the weak, and children.

Installation

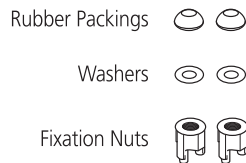


Caution before installation!

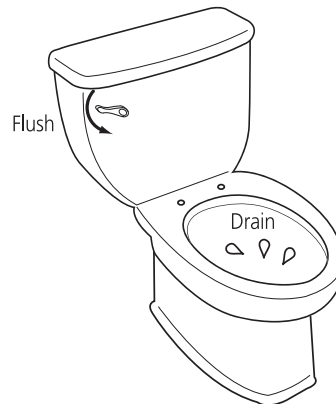
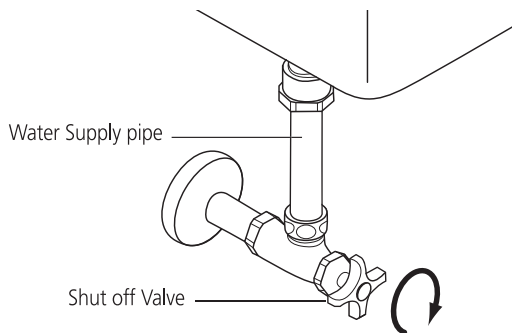
- Check whether the size and shape of the toilet seat are suitable for installation.
- Check all the accessory parts are in place.
- Do not connect the power until installation is finalized.
- Ground connection should be done by authorized service person only.

1 Remove the existing toilet seat.

- Remove the existing toilet seat and lid by unfastening fixation nuts underneath.
- Keep the detached seat, lid and nuts for later use.



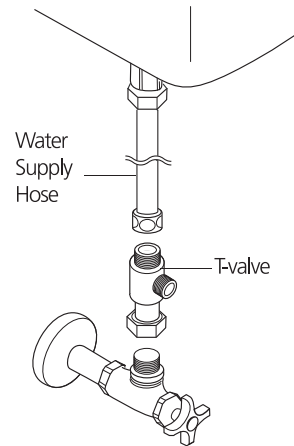
2 Drain toilet water tank completely after turning off the water supply by turning the shut off valve clockwise.



Installation

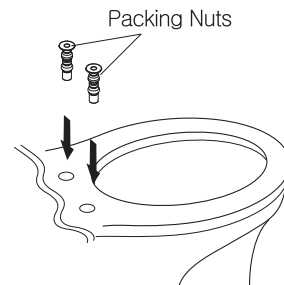
3 Detach the water supply hose on the part of the shut off valve, then install the T-valve.

- In case of a rigid pipe, T-valve cannot be installed. Needs to purchase and install the separate flexible hose(for water tank).



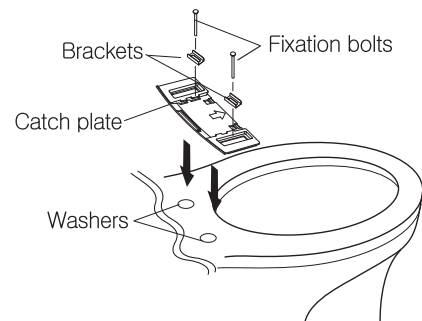
4 Insert the packing nuts into the fixing holes on the toilet seat.

- If there is trouble inserting packing nuts due to small fixing hole (below 14mm or 0.55") on the toilet seat, you need to use other packing nuts and washers. (Only one pair of standard packing nuts are included in the package as an accessory part)



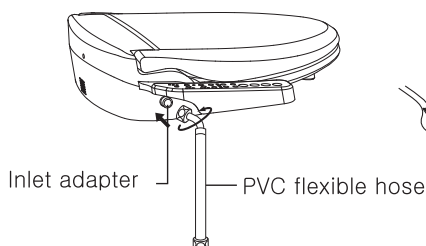
5 Put the washers on the packing nuts.

6 Fasten the catch plate with fixation bolts after setting in place the brackets on the catch plate.

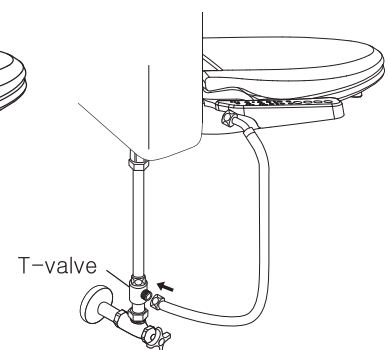


7 Connect the PVC flexible hose to the unit.

8 Slide the unit to the catch plate installed according to grooves underneath the unit.

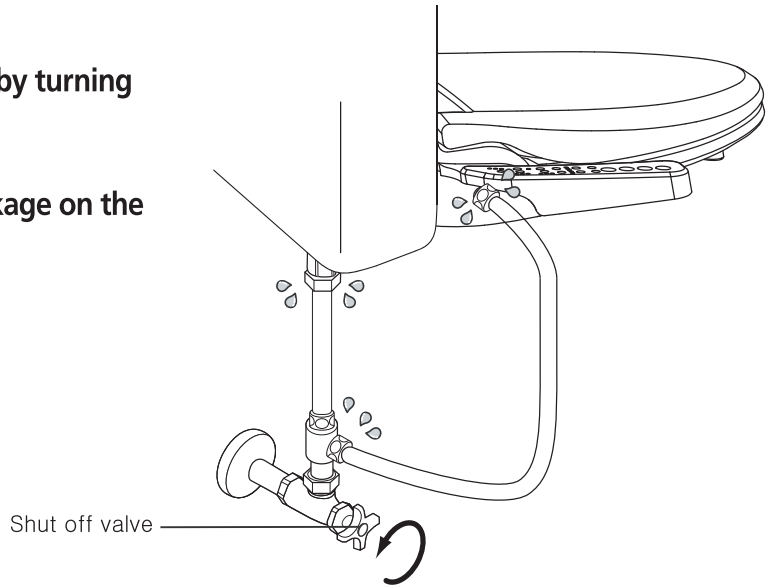


9 Connect the flexible hose to the T-valve.



Trial Operation

- 1 Open the shut off valve by turning counterclockwise.
- 2 Check for any water leakage on the connection hoses.



- 3 Connect the power plug.

- If the power indication light is not turned on after the power plug connection, press any button, then power goes ON.

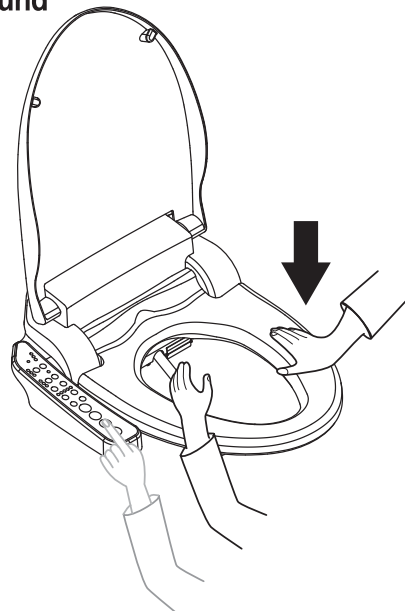
★ **WARNING**

Do not turn over or move the unit after power connection.
It may cause electric shock.

- 4 Press the "CLEANSING" or "BIDET" button on the unit so that the water tank can be filled up with water. One long beep will sound when the water tank is filled up.

- 5 To test the water spray operation, press either "CLEANSING" or "BIDET" button putting a hand on the seat sensor.

*Cover the nozzle with a hand for water not to spatter out.

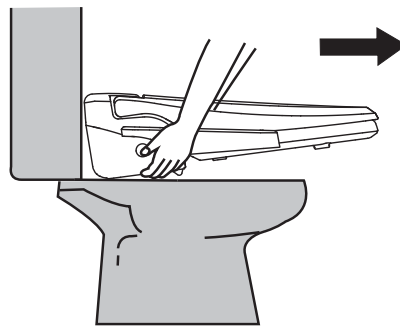


Detachment

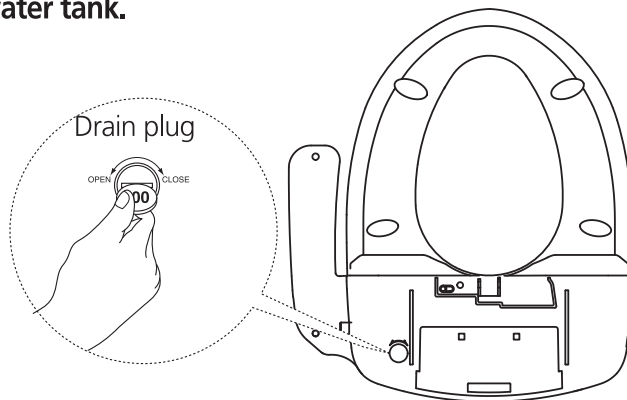
Follow the below instructions if in need to detach the unit for to move.

- 1 Disconnect the power plug.
- 2 Close the water supply by turning the shut off valve clockwise and drain the toilet water tank completely.
- 3 Disconnect the flexible hose from the T-valve and unfix the unit from the toilet. And unfix the catch plate from the toilet.

To detach the unit, pull forward at a state of lifting up the front part of the unit as shown on the illustration.



- 4 Unfasten the drain plug underneath the unit and drain the water completely in the water tank.

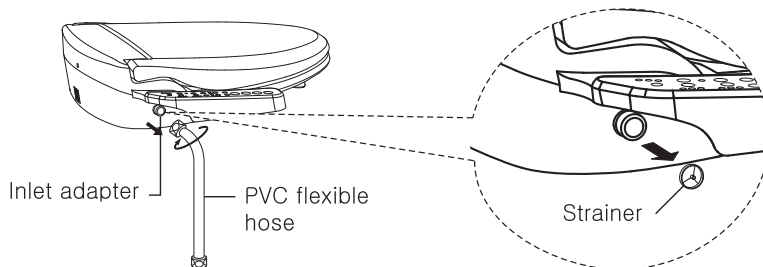


- 5 Disconnect the PVC flexible hose and T-valve.
- 6 Connect the water-supply hose to the shut off valve.
- 7 Open the shut off valve by turning counterclockwise and check any leakages on the connections.
- 8 Reinstall the original seat and lid to the toilet.

Maintenance

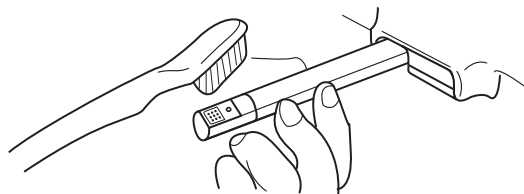
Cleaning the Water Strainer

- 1** Close the water supply by turning the shut off valve clockwise and drain the toilet water tank completely.
- 2** Detach the PVC flexible hose from the inlet adapter.
In case of uncommon toilet bowl, the hose may not be detached easily.
On this occasion, detach the body of a unit from toilet bowl first, and detach the hose from the inlet adapter.
- 3** Begin by detaching the strainer from the inlet adapter, clean and insert it again.
(In case that it is hard to detach the strainer with a hand, try again with a kind of nippers)
- 4** After attaching the hose to the inlet adapter, turn the water supply valve to the left and have it opened.



Cleaning the Nozzle

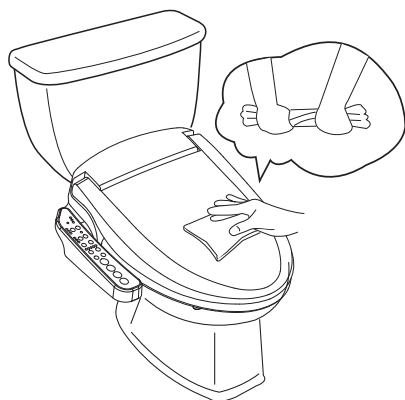
- 1** Press the "CLEANSING" and "BIDET" button simultaneously.
The nozzle comes out and stops.
- 2** Clean the nozzle manually with a soft brush. To return the nozzle to its storage position, press the "STOP" button. Then nozzle self cleaning function is automatically activated.



Maintenance

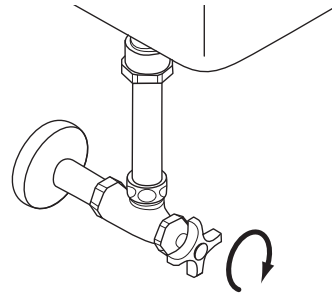
External Cleaning

- The external case of the unit is made of the plastic which may be damaged by scrubbers, chemicals, etc. Do not use any chemicals.
- Clean the unit with a tightly wrung wet soft cloth. Do not spray water the unit.
- Disconnect the power plug when cleaning. Please be careful not to splash the water to the plug or socket.
- Touching the power socket with wet hands can cause an electric shock.

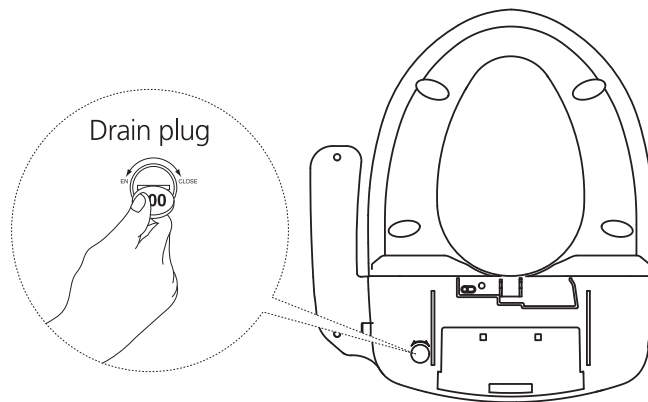


Water Tank Drainage

- 1 Disconnect the power plug first.
- 2 Close the shut off valve by turning clockwise.

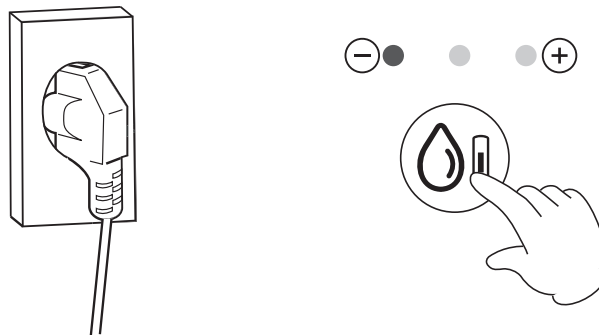


- 3 After placing a basin (4ℓ) under the drain hose, unfasten the drain plug and drain the water tank completely.



Freeze Prevention during Winter

- 1 Connect the power plug and check if the unit power is on.
- 2 Do not turn off the "WATER" level and adjust water temperature to "LO" or higher.
- 3 If not in use for a long time, drain the water tank.



Troubleshooting

Check the following details before calling for service.

Problem Description	Possible Causes
Unit does not operate at all	<ul style="list-style-type: none"> • The power is OFF. ☞ Press any button to check. • The power plug is not connected. • There is a power failure.
CLEANSING, BIDET, DRY, AUTO CLEAN do not operate	<ul style="list-style-type: none"> • A seat cover or something is laid on the seat. ☞ Have you checked If a seat cover or something had been on the surface of seat? The unit begins to operate only when a user's skin touch on the seat sensor.
No water spray	<ul style="list-style-type: none"> • The shut off valve is closed. • There is water supply outage.
Low water pressure	<ul style="list-style-type: none"> • The water pressure level is set to "LO". • The water strainer is clogged.
Water temperature is low	<ul style="list-style-type: none"> • The water temperature level is turned off or set to "LO". • Warm water can be used for about 40 seconds at the "MID" setting of water pressure. It will take about 3 minute to regain selected temperature.
Seat is not warm	<ul style="list-style-type: none"> • The warm seat temperature level is turned off or set to "LO".
Dryer air is not warm	<ul style="list-style-type: none"> • The warm air dryer temperature level is turned off or set to "LO".

Product Specifications

Item		NB-1160D	NB-1120D
Power Supply		220-240V ~ , 50/60Hz	
Max. Power Consumption		1160-1380W	
Length of Power Cord		1.4m	
Water Supply Connection		Direct connection to the water supply	
Water Supply Pressure		98 - 735kPa	
Cleansing	Water Flow Rate	Cleansing	0.8l/min
		Bidet	0.95 l/min
	Water Pressure Adjustment	5 Levels	
	Temp. Adjustment	Normal Temp, 34 °C, 37 °C, 40 °C	
	Heater Capacity	1100-1309W	
	Safety Device	Thermal Fuse, Thermostat, Water Level Sensor	
Warm Seat	Temp. Adjustment	Normal Temp, 35 °C, 38 °C, 40 °C	
	Heater Capacity	55-65W	
	Safety Device	Thermal Fuse	
Dry	Temp. Adjustment	Normal Temp. ~ 50 °C (5 Levels)	-
	Heater Capacity	195-232W	-
	Safety Device	Thermal Fuse, Bi-metal	-
Water Supply Temp.		3 °C ~ 35 °C	
Temp. of circumstance for use		3 °C ~ 40 °C	
Product size		462mm x 515mm x 155mm	
Product weight		4.5kg	4.4kg

Warranty

Product Warranty Card

- We warrant our products to be free from manufacturing defects under normal use and service for a period of two(2) year after purchase. This warranty is extended only to the original purchaser.
- For product defect, please contact your vendor or our service center.

Product Name	Blooming BIDET	Model Name	NB-1160D NB-1120D
Date of Purchase		Serial Number	
Name of Purchase		Duration of Warranty	two year after purchase

< Free After-sales Service Regulations >

- During the duration of the warranty period, if product defect occurs during normal application as stated in the Instruction Manual, Cautionary Notes, Direction Labels, etc., the product is applicable for after-sales service free of charge.
- Even during the warranty period, after-sales service is not applicable free of charge in case of the following conditions :

- (1) Damage occurring from customer negligence or fault, and defect or damage occurring from wrongful repair or alteration.
- (2) Defect or damage occurring from fire, gas, flood, earthquake, lightning, other natural calamities, pollution, or abnormal electrical power.
- (3) Defect or damage occurring from outside of normal household usage.(long term public usage, used inside a vehicle, installed inside a vessel, etc.)
- (4) Defect or damage occurring from transportation or mistreatment after purchase.
- (5) Defect or damage occurring during removal after installation.
- (6) Wearing of consuming parts.(Packing, Filters, etc.)
- (7) Product reinstallation by customer request.
- (8) Read the Instruction Manual carefully before requesting for an after-sales services since charges will be invoiced for faulty service call visits.

MZ-PODEX
GmbH & Co.KG

Wichtige Schutzvorrichtungen

Bitte lesen Sie alle Instruktionen vor Inbetriebnahme

GEFAHR Um die Gefahr von Stromschlägen zu verringern

- Nicht benutzen, während sie ein Bad nehmen
- Bitte lagern sie das Produkt nirgends, wo es in eine Wanne fallen oder sinken könnte
- Bitte nicht in Wasser oder andere Flüssigkeiten legen
- Greifen Sie nie nach einem Gerät, das im Wasser liegt. Vorher ausstecken!

WARNUNG Um das Risiko von Feuer, Stromschlägen oder Verletzungen zu verringern

- Sollte das Netzanschlusskabel einen Defekt haben, muss es vom Hersteller oder einem autorisierten Servicepersonal / Fachmann ausgetauscht werden.
- Ziehen Sie zur Reinigung des Dusch-WC's bitte den Netzstecker.
- Kinder sollten so beaufsichtigt werden, das Sie nicht mit dem Dusch-WC spielen.
- Dieses Dusch-WC ist nicht für die Benutzung von Personen (einschließlich Kinder) mit verminderten geistigen Fähigkeiten oder Sensorik geeignet. Solche Personen sollten von Ihren Verantwortlichen oder vom Pflegepersonal beaufsichtigt oder entsprechend eingewiesen werden.
- Wenn dieses Gerät von oder in der Nähe von kleinen Kindern und Behinderten benutzt wird, ist strenge Überwachung notwendig
- Benutzen Sie das Gerät nur wie in der Bedienungsanleitung beschrieben
Benutzen Sie keine anderen Befestigungsmaterialien, als die vom Hersteller empfohlenen
- Benutzen Sie das Gerät niemals wenn es Dellen aufweist, wenn es nicht richtig funktioniert, es fallengelassen oder sonst beschädigt wurde oder es ins Wasser gefallen ist. Schicken Sie das Gerät in diesem Fall zum Kundendienst zur Reparatur
- Halten Sie das Kabel fern von heißen Oberflächen
- Blockieren Sie niemals die Lüftungsschlitze des Geräts oder legen es auf eine weiche Oberfläche, wie ein Bett oder ein Sofa, wo die Lüftungsschlitze blockiert werden können. Halten Sie die Lüftungsschlitze frei von Staub, Haaren und ähnlichem
- Benutzen Sie das Gerät nie, wenn sie schlafen
- Stecken Sie nie irgendetwas in eine der Öffnungen des Geräts
- Nie draußen benutzen, oder wenn Sprüh-Produkte oder Sauerstoff verwendet werden
- Schließen Sie das Produkt nur an korrekt geerdete Steckdosen an
- Jeglicher Kundendienst sollte von einem autorisierten Dienstleister durchgeführt werden
Ändern, reparieren oder bauen Sie das Gerät niemals auseinander
- Giessen oder sprühen Sie niemals Wasser auf das Gerät
- Das Gerät muss geerdet sein
- Berühren Sie die Stecker niemals mit nassen Händen
- Schließen Sie das Gerät korrekt an den Strom an und achten Sie auf die richtige Spannung des Gerätes

Wichtige Schutzvorrichtungen

WARNUNG Um das Risiko von Feuer, Stromschlägen oder Verletzungen zu verringern

- Benutzen Sie keine zerstörten oder angebrochenen Stromkabel
- Benutzen Sie keine Dampf-Reiniger
- Halten Sie das Gerät von Feuer und entzündlichen Substanzen fern
- Nicht an industrielle Wasser-Anschlüsse anschließen
- Schließen sie keine elektrischen Geräte an die gleiche Steckdose an
- Lassen sie defekte Stromanschlüsse durch autorisierte Fachpartner ersetzen
- Vorsicht vor leichten Verbrennungen
- Werfen Sie keine brennende Zigarette oder andere brennende Sachen in die Toilette.
- Bevor Sie das Gerät von der Toilettenschüssel entfernen, trennen Sie es zuerst vom Strom
- Sollten Sie ein neues Schlauch-Anschlussset bekommen, sollten Sie dieses auch benutzen und nicht das alte Set wieder verwenden.

VORSICHT Um Verletzungen bei Personen und Beschädigungen am Gerät zu verringern

- Stellen Sie keine schweren Objekte auf das Gerät und stehen sie nie auf das Gerät, es könnten Beschädigungen am Gerät oder Verletzungen auftreten
- Benutzen Sie keine Chemikalien um das Gerät zu reinigen. Reinigen Sie das Gerät mit einem feuchten und gut ausgewringenen Tuch. Bei größerem Schmutz, benutzen sie ein weiches, feuchtes Tuch mit mildem Geschirr-Reiniger und wischen mit einem trockenen Tuch nach
- Knallen Sie den Deckel nicht zu, das könnte einen Produktdefekt verursachen
- Lehnen Sie sich nicht auf den Deckel
- Wenn Sie das Gerät eine längere Zeit nicht benutzen, trennen Sie es vom Strom und leeren Sie den Tank
- Das Tankwasser könnte verschmutzt werden und Hautprobleme verursachen
- Ziehen und drehen Sie nicht am Verbindungsschlauch es könnte die Wasserzufuhr unterbrechen oder ein Leck entstehen lassen
- Den Warmluft-Ausgang nicht bedecken oder Teile hineinstecken, es könnte einen Stromschlag verursachen
- Benutzen Sie das Gerät nicht bei Fehlfunktion
Ziehen Sie den Stecker raus und kontaktieren Sie den Kundendienst
Bei Benützung mit Fehlfunktion besteht Brand- und Stromschlag-Gefahr

BEWAHREN SIE DIESE ANWEISUNG AUF

Wichtige Schutzvorrichtungen

Markierung



Diese Markierung auf dem Produkt oder ihrer Beschreibung zeigt an, dass es nach Ende der Lebensdauer nicht zusammen mit normalem Hausmüll entsorgt werden darf. Um Umweltverschmutzung und Gesundheitsschädigungen durch unkontrollierte Müllbeseitigung vorzubeugen, trennen Sie dieses Gerät bitte von anderem Müll und recyceln sie es um die umweltverträgliche Wiederverwendung der Materialien zu fördern.

Privatpersonen sollten entweder den damaligen Händler oder Kommune verständigen um Informationen darüber zu erhalten, wie sie dieses Gerät am besten entsorgen können.

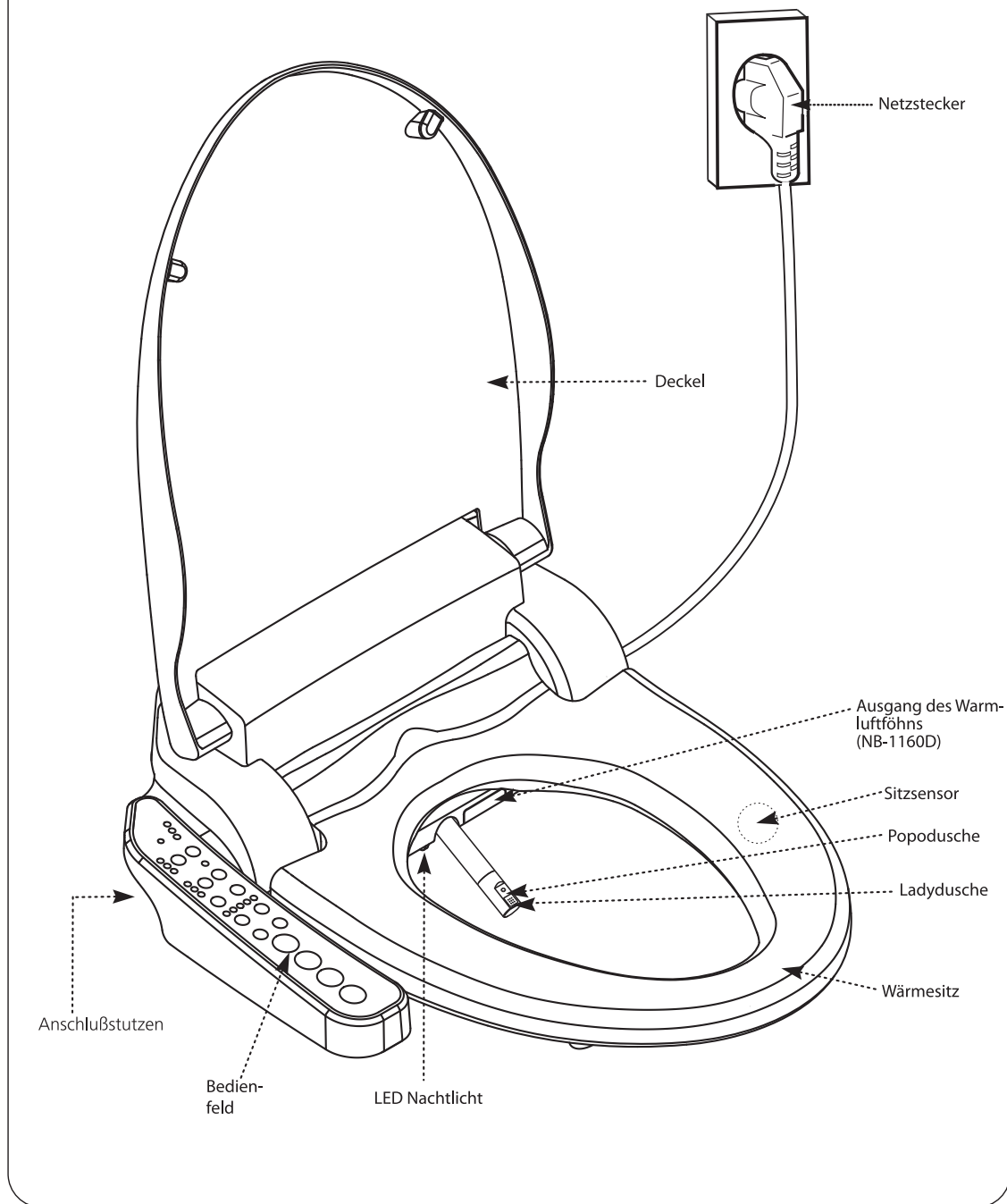
Gewerbliche Benutzer sollten Ihren Lieferanten kontaktieren und die Bedingungen des Kaufvertrages überprüfen.

Dieses Produkt darf nicht mit anderem gewerblichen Abfall vermischt werden.

- Zugang zum Wasserschutz : IPX4 (nur die Sitzheizung)

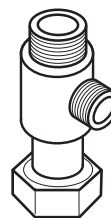
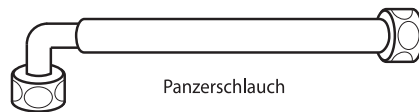
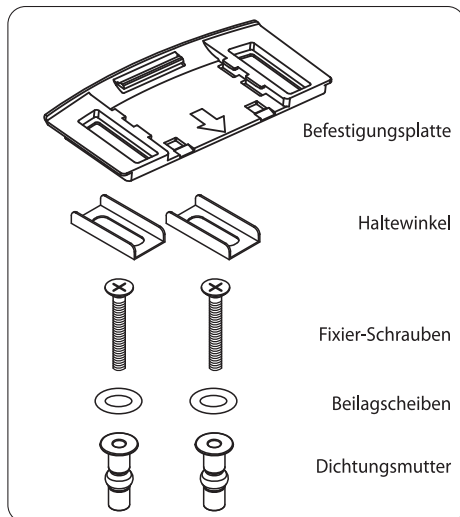
Auflistung der Bestandteile

Blooming Bidet

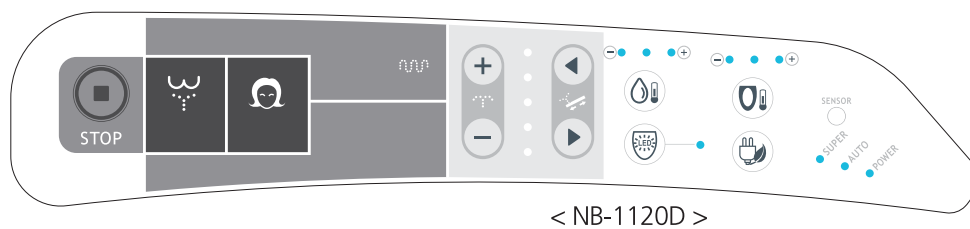
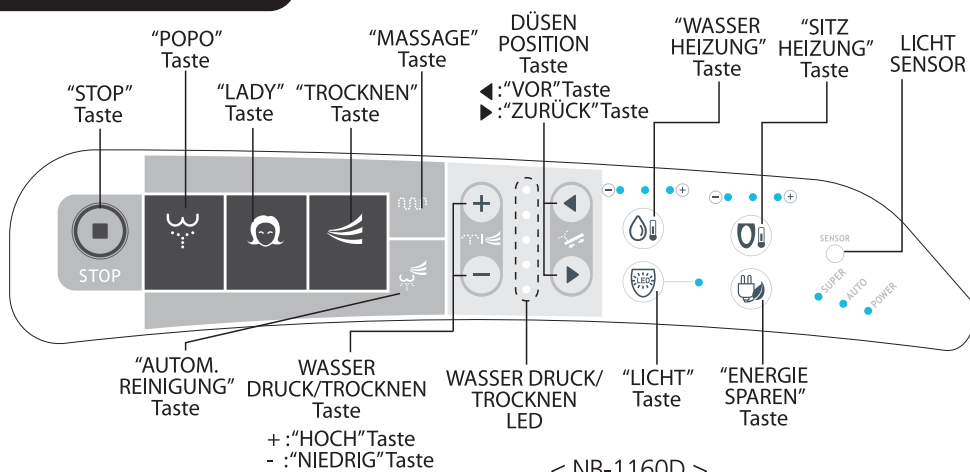


Auflistung der Bestandteile

Das Zubehör

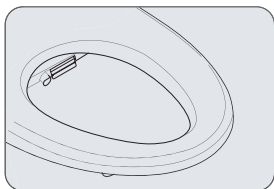


Bedienfeld



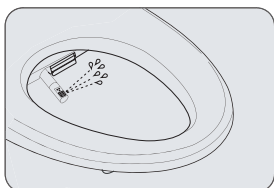
Kurzanleitung

1 Schalten Sie das Gerät ein, indem Sie auf eine beliebige Taste drücken



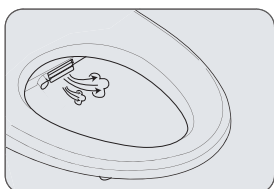
- Nachdem Sie sich hingesetzt haben, leuchtet die Anzeige zwischen der „WASSER DRUCK/TROCKNEN“ und „DÜSEN POSITION“ Taste auf. Das Dusch-WC ist nun betriebsbereit.

2 Drücken Sie die „POPO“ oder „LADY“ Taste



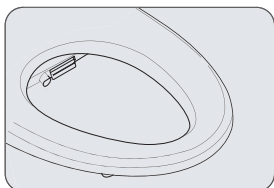
- Führt entweder die „POPO“ oder „LADY“ Funktion aus
- Jede Funktion läuft eine Minute
- Bei wiederholtem Drücken der „POPO“ oder „LADY“ Taste schalten Sie die Move-Funktion dazu. Die Düse bewegt sich automatisch hin-und-her.

3 Drücken Sie die „TROCKNEN“ Taste (NB-1160D)



- Das „TROCKNEN“ Licht leuchtet und der Warmluftföhn startet
- Die Warmluftföhnfunktion läuft für 3 Minuten (1 Minute im automatischen Modus)
- Der Trockenvorgang kann mit Hilfe von sanftem Abreiben mit Toilettenpapier maximiert werden.

4 Drücken Sie die „STOP“ Taste



- Stoppt alle Funktionen

- Sitzen Sie in der Mitte, wenn Sie das Gerät benutzen
- Der Sitzsensor ist im Sitz installiert (Siehe Seite 24)
Der Sitzsensor wird aktiviert, wenn Hautkontakt besteht
Folglich, bleibt der Sensor inaktiv, wenn ihn Stoff bedeckt oder andere Materialien auf den Sitz gelegt werden
- Wenn die „POPO“ oder „LADY“ Funktion längere Zeit aktiv ist, fällt die Wassertemperatur nach und nach. Um wieder warmes Wasser zu erhalten, setzen Sie die Funktion nach 3 Minuten fort.

Funktionen & Anwendungen

Bewegungs-Funktion der Düse

- Die Move-Funktion erfolgt beim Drücken der „POPO“ oder „LADY“ Taste während eine der 2 Funktionen bereits läuft. Die Düse bewegt sich vor und zurück.
- Die Düse stoppt, wenn „POPO“ oder „LADY“ noch einmal gedrückt werden

Einstellung des Wasserdrucks

- Wenn man sich hinsetzt leuchtet die Wasserdruck Level Anzeige. Das Gerät speichert die letzte Wasserdruck-Einstellung
- Der Wasserdruck kann durch drücken von „HOCH“ oder „NIEDRIG“ verändert werden.
- Wenn niemand auf dem Gerät sitzt, ist die Wasserdruck-Anzeige inaktiv

Einstellung der Düsenposition

- Drücken Sie „VOR“ oder „ZURÜCK“ um die Düsenposition während der Duschfunktion zu ändern
- Das Dusch-WC speichert automatisch die letzte Position der Düse.

Einstellung der Wassertemperatur

- Drücken Sie mehrmals die „WASSER HEIZUNG“ Taste um die Wassertemperatur zu ändern
Wählen Sie die gewünschte Temperatur

Einstellung der Sitztemperatur

- Drücken Sie die „SITZ HEIZUNG“ Taste um die Sitztemperatur zu ändern
Wählen Sie die gewünschte Temperatur

• Das Gerät speichert die Temperatur vom Wasser und der Sitzheizung, auch wenn es ausgeschalten ist. Es ist nicht notwendig, nach einem Stromausfall die Einstellungen neu vorzunehmen

Einstellung der Warmluft-Temperatur (NB-1160D)

- Während des Warmluftföhns, zeigt die „WASSER DRUCK/TROCKNEN“ LED das Temperatur-Level an
- Das Gerät speichert die letzte Temperatur-Einstellung des Warmluft-Föhns
- Drücken Sie „HOCH“ oder „NIEDRIG“ um die Temperatur zu ändern

Funktionen & Anwendungen

Nachtlicht LED

- Aktivieren Sie das Nachtlicht durch drücken der „LICHT“ Taste. Das Nachtlicht geht automatisch an, wenn es im Raum dunkler wird. Um das Nachtlicht auszuschalten, drücken Sie die „LICHT“ Taste erneut
- Wenn das Nachtlicht an ist, erkennt das Bidet das Toilettenlicht automatisch und das Nachtlicht geht aus
- Der Benutzer kann das Dusch-WC ohne Licht in der Toilette benutzen
- Der Stromverbrauch des Nachtlichts ist sehr gering

Automatischer Stromspar-Modus

- Drücken Sie die Taste „ENERGIE SPAREN“, bis auf der Anzeige „AUTO“ erscheint
- Im Stromspar-Modus wird die Wasser- und Sitztemperatur auf 30°C festgesetzt
- Wenn man sich auf den Sitz setzt, wird die Stromspar-Funktion deaktiviert
- Wenn man sich vom Sitz entfernt, ist die Stromspar-Funktion wieder aktiv
- Um die Stromspar-Funktion ganz zu deaktivieren, drücken Sie die „ENERGIE SPAREN“-Taste bis die Anzeige erlischt

Super Stromspar-Modus

- Drücken Sie die Taste „ENERGIE SPAREN“, bis auf der Anzeige „SUPER“ erscheint
- Das Bidet erkennt die Toiletten-Helligkeit selbstständig und bietet so exzellente Stromersparnis im Super Stromspar-Modus
- Der Super Stromspar-Modus wird temporär deaktiviert, wenn das Toilettenlicht angeht
- Im Super Stromspar-Modus werden normale Temperaturen für Wasser und Sitz festgesetzt.
- Das Gerät geht in den Normal-Modus wenn der Sitz im Dunklen besetzt ist
- Um die Super Stromspar-Funktion ganz auszuschalten, drücken Sie zweimal die Taste „ENERGIE SPAREN“, die Anzeige erlischt

Selbstreinigung der Düsen

- Vor und nach jeder Benutzung wird die Selbstreinigung automatisch gestartet

Düsenreinigung

- Drücken Sie die Tasten „POPO“ und „LADY“ gleichzeitig. Die Düsen fahren heraus
- Reinigen Sie die Düsen manuell mit einer weichen Bürste.
- Stecken Sie die Düsen köpfe wieder auf den Duscharm
- Drücken Sie die Taste „STOP“ und die Düsen verschwinden wieder in ihre geschützte Position, anschließend wird die Selbstreinigung durchgeführt

Funktionen & Anwendungen

Ein-/Ausschalten

- Drücken Sie die „STOP“ Taste für mehr als 4 Sekunden, die Anzeige erlischt
Das Gerät wird komplett ausgeschaltet
- Drücken Sie eine beliebige Taste um das Gerät wieder einzuschalten
- Das Gerät speichert alle vorherigen Einstellungen auch bei einem Stromausfall. Es ist demnach nicht notwendig, die Einstellungen erneut vorzunehmen

Massage

- Drücken Sie die „MASSAGE“ Taste und der pulsierende Wasserstrahl läuft während die Duschfunktion aktiv ist (Funktioniert nicht, wenn der Wasserdruck im 1. Level ist)
- Drücken Sie die Taste „MASSAGE“ erneut um die Funktion zu stoppen

Verbrennungsschutzsystem bei niedriger Temperatur

- Die Sitztemperatur sinkt wenn die Temperatur auf „WARM“ steht und man über 30 Minuten auf dem Sitz sitzt. (Bei längerem Sitzen können leichte Verbrennungen auftreten)
- Wenn man sich vom Sitz entfernt kehrt die Temperatur zum Sollwert zurück

Automatische Reinigung (NB-1160D)

- Die bewegende Reinigung und der Warmluftföhn laufen für je 1 Minute, wenn die Taste „AUTOM. REINIGUNG“ gedrückt wird
- Es wird automatisch die 3. Stufe für den Wasserdruck, die 2. Stufe für den Warmluftfön und die zuletzt benutzte Position der Düse eingestellt. (Wasserdruck, Warmluft und Düsenposition können individuell eingestellt werden)
- Beim Benutzen der „AUTOM. REINIGUNG“ Funktion, erzwingt der Sensor die Einstellung der Temperaturen für Wasser und Sitz auf „Medium“, wenn die Temperatur auf „WARM“ festgesetzt wurde
- Es ertönt ein Signalton wenn die „AUTOM. REINIGUNG“ Funktion beendet ist.
- Man kann jederzeit zur vorigen „AUTOM. REINIGUNG“ Funktion zurückkehren, auch wenn sie vorher gestoppt hat.
- Hilfreiche Funktion für Ältere oder kranke Personen und auch für Kinder.

Installation / Montage



Montage



- Vergewissern sie sich vor der Installation, dass Größe und Form des Sitzes korrekt sind
- Vergewissern sie sich, dass kein Zubehör fehlt
- Stecken Sie den Netzstecker erst ein, wenn die Installation abgeschlossen ist
- Die Erdung sollte durch autorisiertes Personal durchgeführt werden

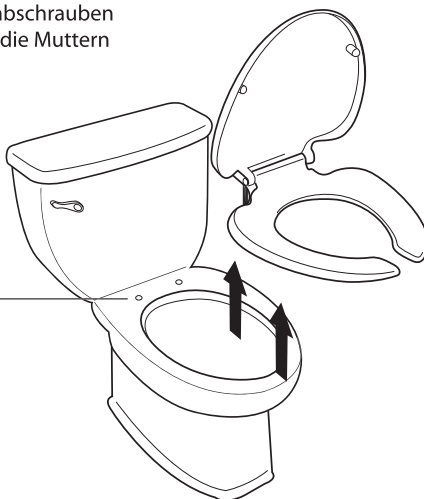
1 Entfernen des ursprünglichen Toiletten-Sitzes

- Entfernen sie den ursprünglichen Toiletten-Sitz, in dem sie die Fixier-Muttern unterhalb abschrauben
- Behalten Sie den abmontierten Sitz und die Muttern für späteren Gebrauch

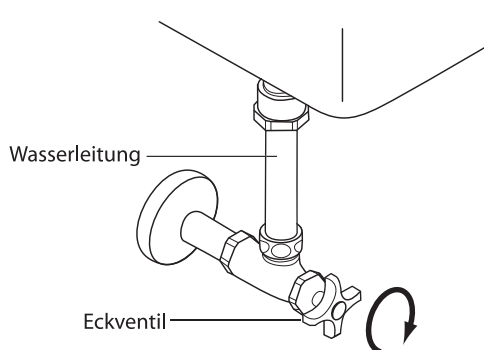
Gummi-Beilagscheibe 

Beilagscheiben 

Flügelmuttern 



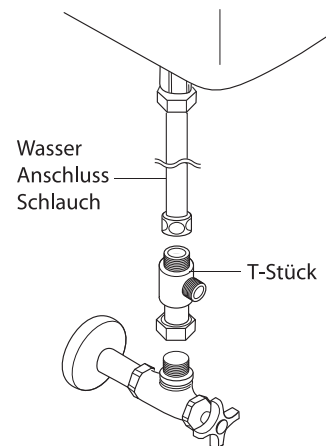
2 Leeren Sie den Wassertank nach dem Abdrehen des Wasserzugangs



Installation / Montage

3 Entfernen Sie den Wasserschlauch vom Eckventil und befestigen sie das T-Stück

- Im Falle eines unbiegsamen Rohrs können T-Stücke nicht installiert werden.
Hierfür muss ein separater flexibler Schlauch gekauft werden

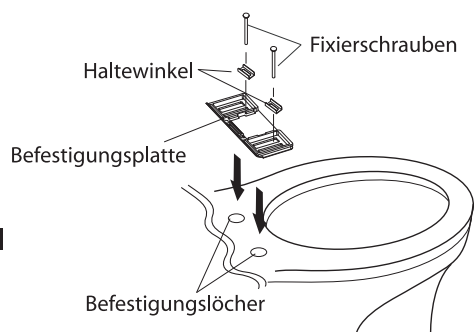


4 Legen Sie die Dichtungs-Muttern in die Fixierlöcher des Toilettensitzes

- Falls es wegen der Lochgröße Probleme geben sollte, die Dichtungs-Muttern einzuschrauben (unter 14mm oder 0.55"), müssen Sie andere Muttern und Dichtungsringe verwenden (Nur ein paar an Standard-Muttern ist diesem Paket als Zubehör beigelegt)

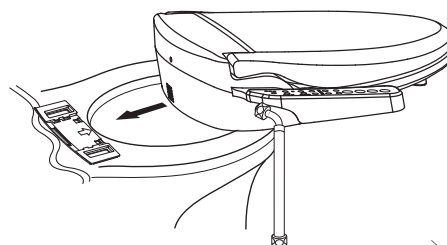
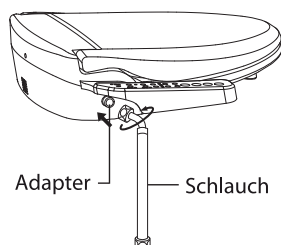


5 Legen Sie die Dichtungsringe auf die Dichtungs-Muttern



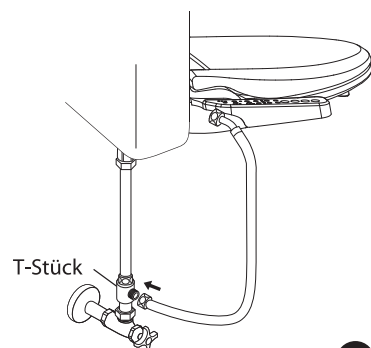
6 Fixieren Sie die Befestigungsplatte mit den Fixier-Schrauben, nachdem Sie die Haltewinkel darauf befestigt haben

7 Schließen sie den Panzerschlauch an das Dusch-WC an



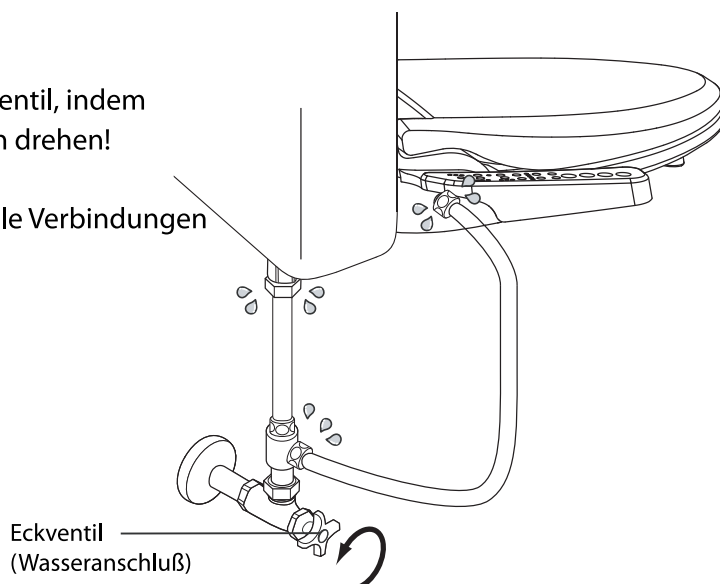
8 Schieben Sie das Dusch-WC auf die montierte Befestigungs-Platte entsprechend den Fugen unterhalb des Geräts

9 Schließen Sie den Panzerschlauch am T-Stück an



Dichtigkeitsprüfung

- 1 Öffnen Sie das Wasserabsperrventil, indem Sie es gegen den Uhrzeigersinn drehen!
- 2 Prüfen Sie den Anschluß und alle Verbindungen auf eventuellen Wasseraustritt.



- 3 Anschluß des Netzsteckers
 - Sollte nach dem Einstecken des Netzsteckers die Power LED nicht leuchten, so drücken Sie bitte eine beliebige Taste und das Gerät schaltet sich ein.

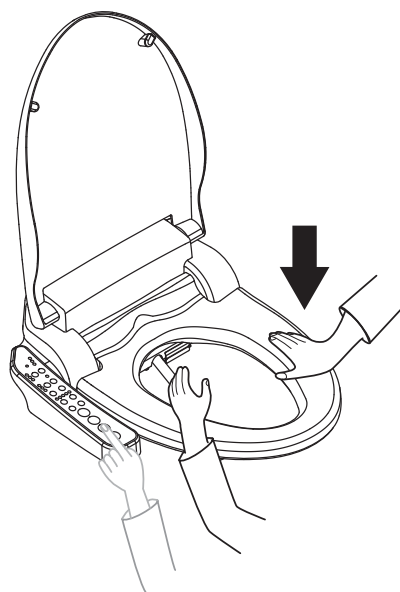
WARNUNG

Das Gerät darf nicht gedreht oder bewegt werden, nachdem es angeschlossen wurde!
Es könnte ein Stromschlag ausgelöst werden!

- 4 Drücken Sie die Taste „POPO“ oder „LADY“ am Gerät und der Wassertank wird aufgefüllt. Ein langer Piepton signalisiert Ihnen, wenn der Tank voll ist.

- 5 Um zu prüfen, ob Wasser aus den Düsen spritzt, drücken Sie „POPO“ oder „LADY“, während Sie eine Hand auf den Sitzsensor halten.

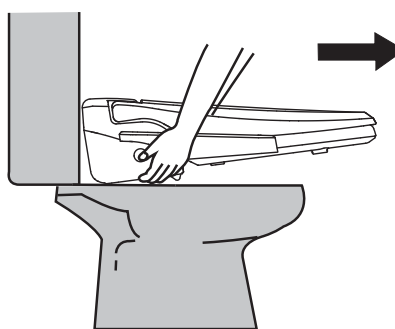
* Halten Sie Ihre andere Hand über die Spritzdüse, damit das Wasser nicht aus dem Gerät spritzt!



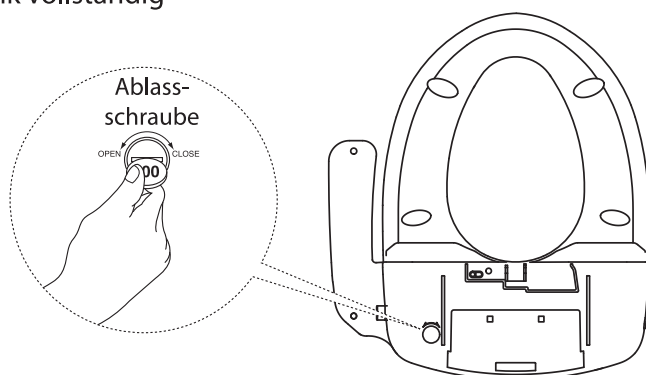
Deinstallation / Demontage

- 1 Entfernen Sie den Stecker aus der Steckdose
- 2 Schließen Sie den Wasserzugang, in dem Sie das Absperrventil im Uhrzeigersinn zudrehen und leeren Sie den Wassertank vollständig
- 3 Entfernen Sie den flexiblen Schlauch vom T-Stück und lösen Sie das Gerät aus seiner Halterung

Um das Gerät zu lösen, schieben Sie das Gerät leicht angehoben nach vorne, wie auf der Abbildung angezeigt



- 4 Lösen Sie den Ablass-Stöpsel unterhalb des Geräts und leeren Sie den Tank vollständig

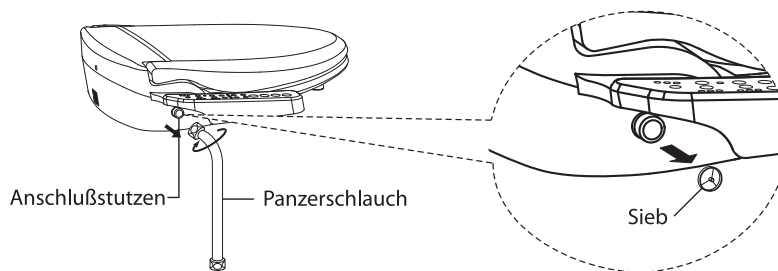


- 5 Entfernen Sie den Panzerschlauch und das T-Stück
- 6 Verbinden Sie den Wasser-Schlauch mit dem abgedrehten Absperrventil
- 7 Öffnen Sie das Absperrventil in dem Sie es gegen den Uhrzeigersinn drehen und überprüfen Sie die Verbindungen nach eventuellem Wasseraustritt
- 8 Montieren Sie den originalen Toilettensitz und - deckel

Wartung

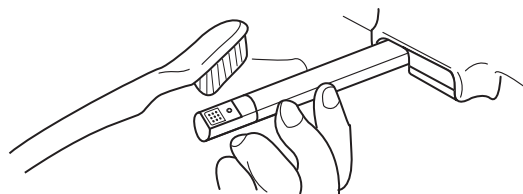
Reinigung des Siebes

- 1 Schließen Sie den Wasserzugang indem Sie das Absperrventil im Uhrzeigersinn zudrehen und leeren Sie den Wassertank vollständig
- 2 Entfernen Sie den Panzerschlauch vom Gerät.
- 3 Nun finden Sie in dem Anschlußstück am Gerät das Sieb. Entfernen Sie dies mit einem spitzen Gegenstand.
- 4 Reinigen Sie das Sieb mit einer weichen Bürste und stecken es wieder auf.
- 5 Nun schließen Sie den Panzerschlauch wieder am Gerät an und öffnen das Eckventil.



Reinigung der Düse

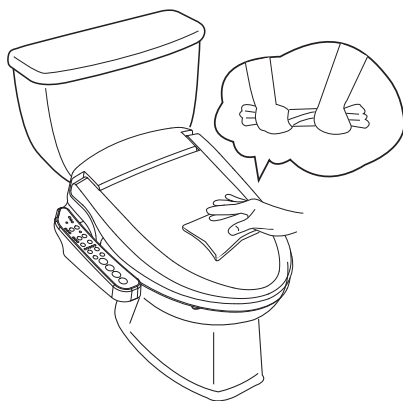
- 1 Drücken Sie die Tasten „POPO“ und „LADY“ gleichzeitig. Beide Düsen fahren gleichzeitig heraus
- 2 Reinigen Sie die Düsen mit einer weichen Bürste von Hand. Um die Düsen wieder in ihre gesicherte Lager-Position zu bringen, drücken Sie die „STOP“ Taste. Nach dem Einfahren wird automatisch die Selbstreinigung gestartet



Wartung

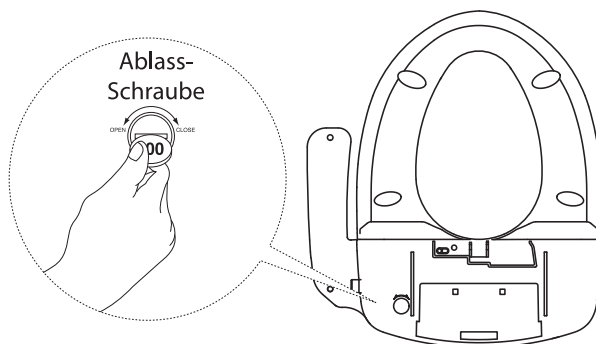
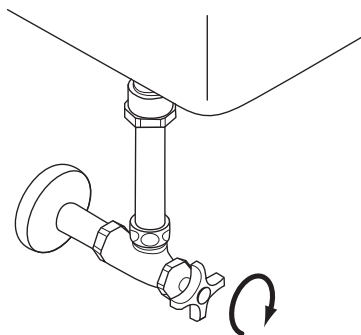
Äußere Reinigung

- Das Gehäuse des Dusch-WC's ist aus Plastik gefertigt, welches durch Bürsten, Chemikalien, usw. beschädigt werden kann. Benutzen Sie keine Chemikalien
- Reinigen Sie das Gerät mit einem leicht angefeuchteten weichen Tuch. Sprühen Sie kein Wasser auf das Gerät
- Entfernen Sie den Netzstecker vor der Reinigung. Seien Sie vorsichtig und achten Sie darauf, dass kein Wasser zum Stecker oder zur Steckdose spritzt
- Den Netzstecker mit nassen Händen zu berühren kann einen elektrischen Schlag verursachen



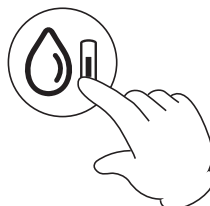
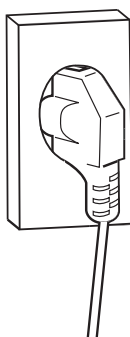
Wassertank leeren

- 1 Ziehen Sie zuerst den Netzstecker
- 2 Schließen Sie das Absperrventil indem Sie es im Uhrzeigersinn zudrehen
- 3 Ziehen Sie das Dusch-WC von der Toilette
Siehe hierfür Seite 33 (Deinstallation / Demontage)
- 4 Nachdem Sie einen Eimer (4l) unter das Gerät gestellt haben, öffnen Sie die Ablass-Schraube und leeren den Tank vollständig



Frostschutz im Winter

- 1 Stecken Sie den Netzstecker ein und überprüfen Sie, ob das Gerät an ist.
- 2 Schalten Sie den „WASSER HEIZUNG“ Level nicht ab und stellen Sie die Wassertemperatur auf „KALT“ oder höher
- 3 Leeren Sie den Wassertank bei längerer Nichtbenutzung



Fehlerbehandlung

Bevor Sie den Kundendienst kontaktieren, überprüfen Sie bitte folgende Hinweise:

Problembeschreibung	Mögliche Ursachen
Gerät funktioniert nicht	<ul style="list-style-type: none"> • Kein Strom • Der Netzstecker ist nicht eingesteckt • Stromausfall
POPO, LADY, TROCKNEN, AUTOM.REINIG. funktionieren nicht	<ul style="list-style-type: none"> • Etwas verdeckt den Sitz ☞ Haben Sie überprüft ob etwas auf der Sitzoberfläche liegt? Das Gerät wird nur dann aktiv, wenn die Haut des Benutzers den Sitzsensor berührt
Kein Wasser	<ul style="list-style-type: none"> • Das Absperrventil ist zu • Die Wasserzufuhr ist unterbrochen
Niedriger Wasserdruck	<ul style="list-style-type: none"> • Der Wasserdruck-Level ist auf „NIEDRIG“ • Das Sieb oder der Düsenkopf ist verschmutzt oder verkalkt.
Niedrige Wassertemperatur	<ul style="list-style-type: none"> • Der Wassertemperatur-Level ist ausgeschalten oder auf „KALT“ • Warmwasser, welches auf „MID“ eingestellt ist, ist für 40 Sekunden verfügbar. Danach braucht es 3 Minuten um wieder zur ausgewählten Temperatur zu gelangen
Der Sitz ist nicht warm	<ul style="list-style-type: none"> • Der Sitztemperatur-Level ist ausgeschalten oder auf „KALT“
Die Föhnluft ist nicht warm	<ul style="list-style-type: none"> • Das Warmluft-Level ist ausgeschalten oder auf „NIEDRIG“

Produkt-Spezifikationen

Gerät			NB-1160D	NB-1120D
Stromzufuhr			220-240V~, 50/60Hz	
Max. Strom-Auschöpfung			1160-1380W	
Länge des Stromkabels			1.4m	
Wasseranschluss			Direkter Anschluss an die Wasserzufuhr	
Wasserdruck			98-735kPa (0.98-7.35bar)	
Reinigungs- Funktionen	Wasser durch- fluss	POPO	0.8 l/min	
		LADY	0.95 l/min	
	Wasserdruck- Einstellung		5 Stufen	
	Wassertemp. Einstellung		Normale Temperatur, 34°C, 37°C, 40°C	
	Heizleistung		1100-1309W	
	Sicherheits- vorrichtung		Thermosicherung, Thermostat, Wasserlevel-Sensor	
Sitz- heizung	Temperatur Einstellung		Normale Temperatur, 35°C, 38°C, 40°C	
	Heizleistung		55-65W	
	Sicherheitsvorr.		Thermosicherung	
Trocknen	Temperatur Einstellung		Normale Temperatur ~ 50°C (5 Stufen)	-
	Heizleistung		195-232W	-
	Sicherheitsvorr.		Thermosicherung, Bimetall	-
Wasserzufuhrtemperatur			3°C ~ 35°C	
Umgebungstemperatur			3°C ~ 40°C	
Produktgröße			(B)462mm x (L)515mm x (H)155mm	
Gewicht			4.5 kg	4.4 kg

Garantie

Garantie

- Wir garantieren, dass unsere Produkte unter normalen Umständen frei von Fabrikationsfehlern sind und gewähren eine Garantielaufzeit von 2 Jahren nach Warenkauf. Diese Garantie gilt nur für den Endkunden.
- Bei Defekten, kontaktieren Sie bitte den Händler oder ihren Kundendienst

Produkt Name	Blooming BIDET	Model Name	NB-1160D NB-1120D
Kaufdatum		Seriennummer	
Käufername		Garantie- dauer	2 Jahre ab Kaufdatum

Kostenlose Kundendienst Bestimmungen

- Während der Garantiezeit, wenn beim Produkt während normaler Bedienung ein Defekt auftritt, wird das Gerät kostenlos repariert.
- Auch während der Garantiezeit sind folgende Anwendungen kostenpflichtig:

- (1) Beschädigungen, die vom Kunden durch Fahrlässigkeit oder Eigenverschulden verursacht wurden, oder Defekte durch falsche Reparatur oder Veränderung
- (2) Defekt oder Beschädigung, verursacht durch Feuer, Gas, Überschwemmungen, Erdbeben, Blitzeinschlag oder andere natürliche Katastrophen, Verschmutzung oder abnormaler Stromzufuhr
- (3) Defekt oder Beschädigung, verursacht durch Benutzung außerhalb des Haushalts (längere öffentliche Nutzung, innerhalb eines Fahrzeugs)
- (4) Defekt oder Beschädigung, verursacht durch Misshandlung während dem Transport nach dem Kauf
- (5) Defekt oder Beschädigung, verursacht durch Entfernung des Geräts nach erfolgter Installation
- (6) Verschleiß von Bauteilen (Dichtungen, Filter, usw.)
- (7) Neuinstallation der NB-1120D nach Kundenwunsch
- (8) Lesen Sie diese Bedienungsanleitung gründlich durch bevor Sie den Kundendienst kontaktieren, da anfallende Kosten bei unnötigen Service-Besuchen in Rechnung gestellt werden

MZ-PODEX
GmbH & Co.KG

MZ-PODEX

GmbH & Co.KG

Ornachstrasse 8
D-87538 Fischen/Allgäu
Tel. : +49 (8326) 38 67 83-0
Fax : +49 (8326) 38 67 83-5
info@popodusche.de
www.popodusche.de