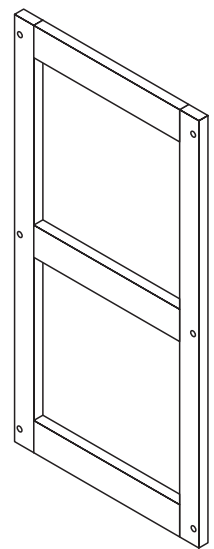
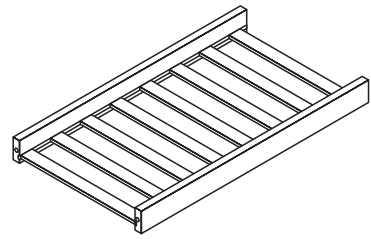
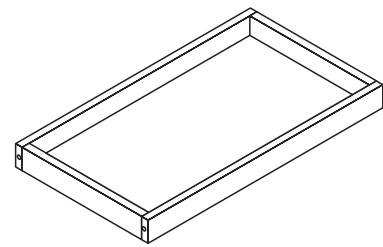
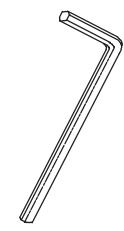
	A X 2PCS	B X 2PCS	a X 12PCS	b X 2PCS	c X 2PCS
			C X 1PC	d X 1PC	
					

STEP 01

STEP 02

STEP 03

