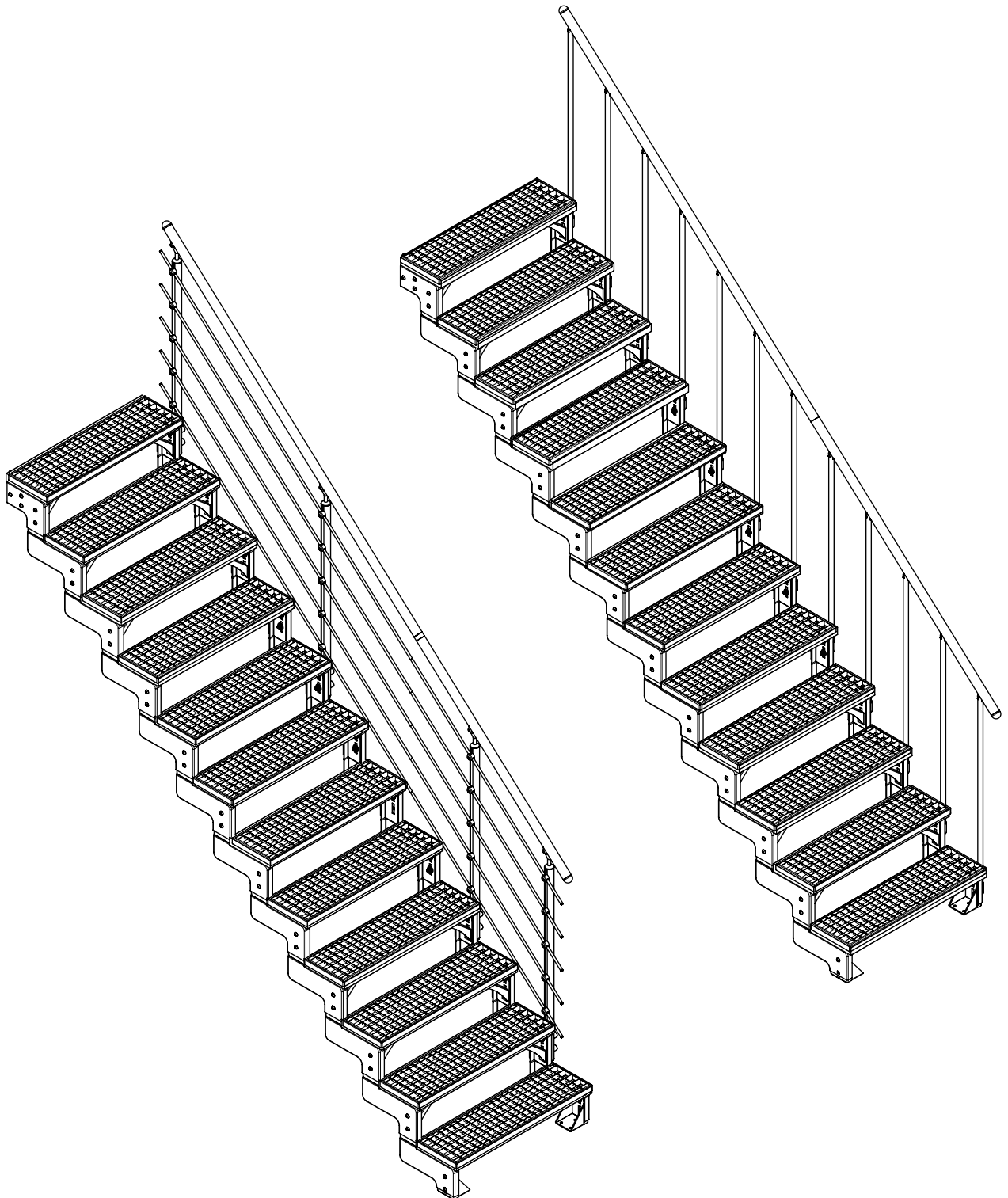


GARDENTOP

Gitterrost

Montageanleitung
Installation instruction

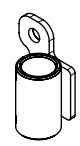
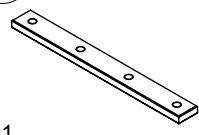
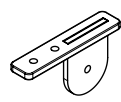

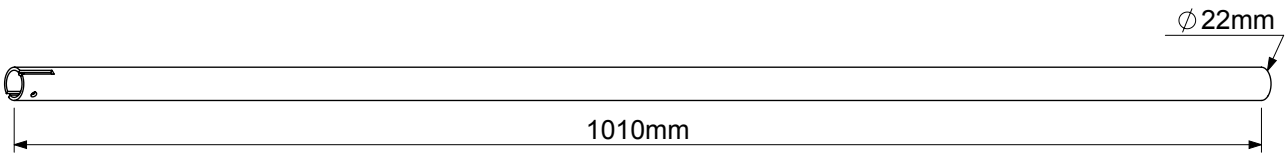
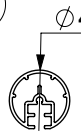
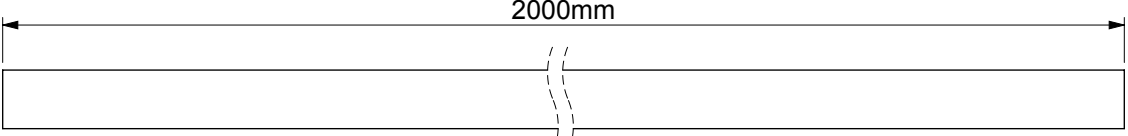










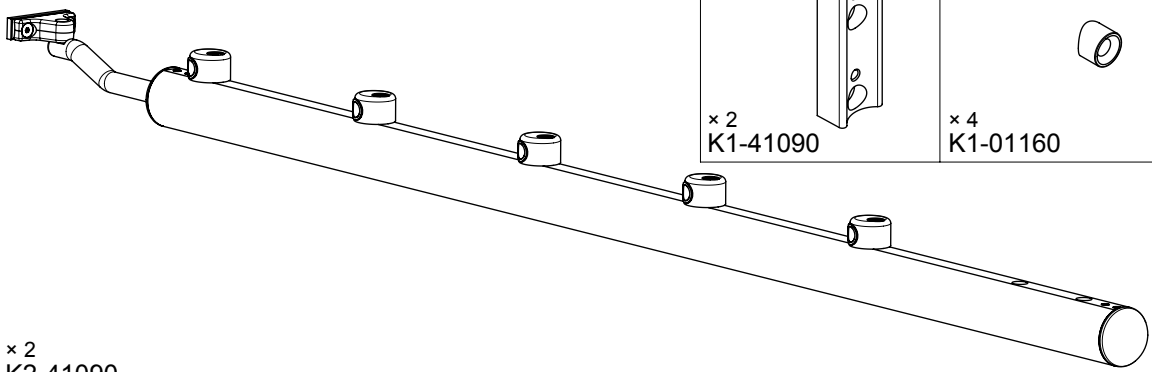
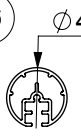
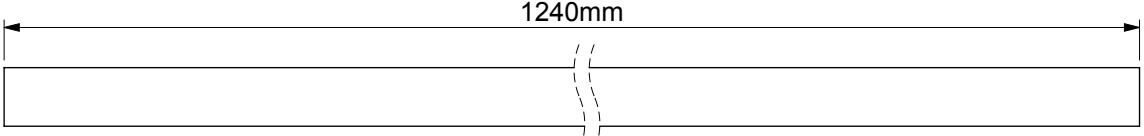
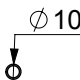
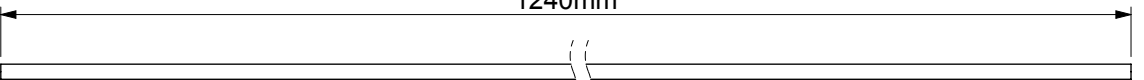
68015		Starter-Set Start kit			
<p>1 2</p> <p>× 1 K1-41931</p> <p>× 1 K1-41930</p>		<p>7 8</p> <p>× 1 K1-41911</p> <p>× 1 K1-41910</p>		<p>5</p> <p>× 2 K2-41900</p>	
<p>6</p> <p>× 2 K1-41940</p>		<p>40</p> <p>× 14 K3-02045 M10×25</p>		<p>41</p> <p>× 2 K3-04110 Ø10</p>	
<p>42</p> <p>× 8 K3-04198 Ø10</p>		<p>43</p> <p>× 14 K3-03051 M10</p>		<p>44</p> <p>× 12 K3-08001 Ø12 x 60</p>	
<p>45</p> <p>× 12 K3-06070 Ø10 x 60</p>		<p>59</p> <p>× 12 K3-06269 Ø6 x 35</p>		<p>63</p> <p>× 4 K3-05022 M8 x 20</p>	
<p>64</p> <p>× 12 K3-04010 Ø10,5</p>					



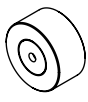
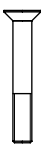

68016		Ergänzungs-Set 1 step kit			
<p>3 4</p> <p>× 1 K1-41921</p> <p>× 1 K1-41920</p>		<p>40</p> <p>× 4 K3-02045 M10 x 25</p>		<p>42</p> <p>× 4 K3-04198 Ø10</p>	
		<p>43</p> <p>× 4 K3-03051 M10</p>			
		<p>59</p> <p>× 6 K3-06269 Ø6 x 35</p>			

68020	Stufen-Winkel Step support 1 step
<div style="display: flex; justify-content: space-between;"> <div style="text-align: center;"> <p>(9) (10)</p> <p>x1 K1-41060 x1 K1-41061</p> </div> <div style="border: 1px solid black; padding: 5px; text-align: center;"> <p>If more than 6 steps: Add (9) + (10)</p> <p>Wenn mehr als 6 Stufen: (9) + (10) hinzufügen</p> </div> <div style="text-align: center;"> <p>(59)</p> <p>x 1 K3-06269 Ø6 x 35</p> </div> </div> <p style="text-align: center;">Max. 6 Satz sets</p>	

	Gitterrost-Stufe Grating step 80 cm / 100 cm		
<p>(11)</p>	<p>(23)</p> <p>x 2</p>	<p>(55)</p> <p>—</p> <p>x 4 K3-04016 Ø6</p>	<p>(56)</p> <p>x 4 K3-03046 M6</p>
	<p>(57)</p> <p>x 2 K3-02386 M8x40</p>	<p>(58)</p> <p>x 4 K3-02220 M6x20</p>	<p>(61)</p> <p>x 2 K3-03047 M8</p>

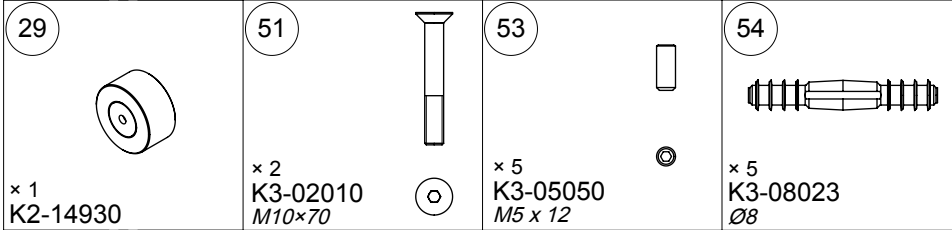
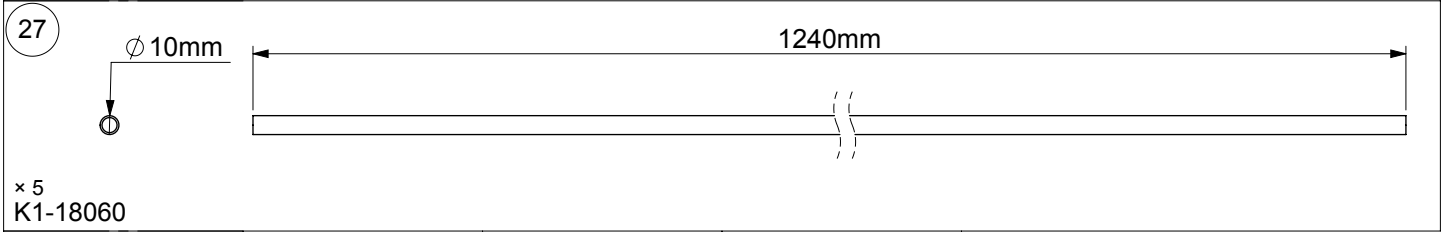
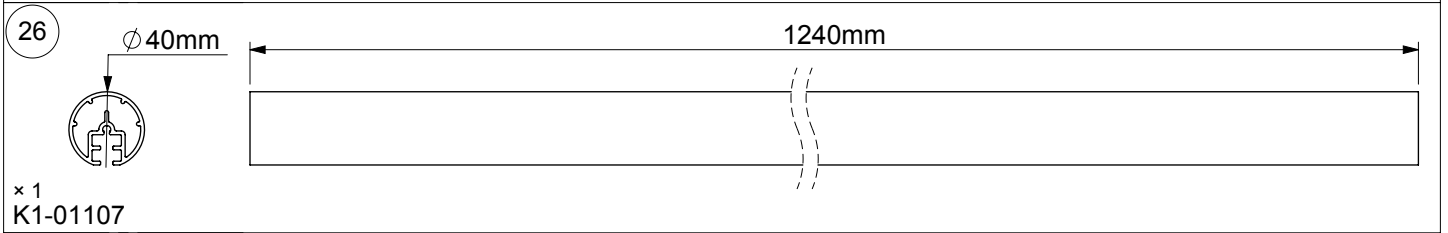
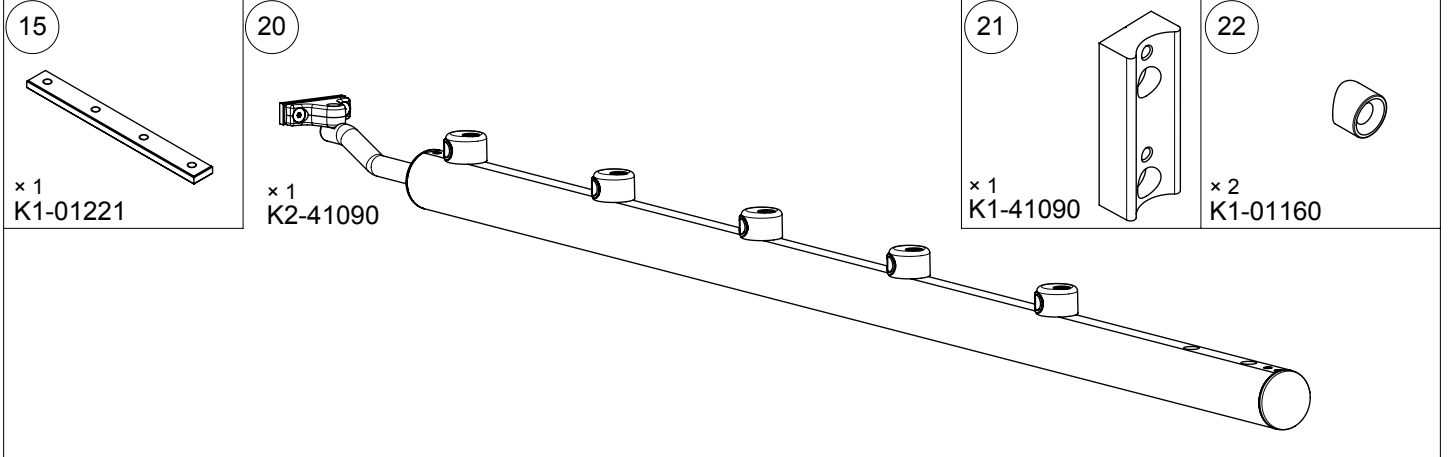
68030		Steiggeländer für 6 Stufen Standard banister for 6 steps						
14		15		16		17		
× 6 K2-41050		× 1 K1-01221		× 6 K1-02130		× 2 K2-04040		
18								
× 6 K1-41055								
19								
× 1 K1-01100								
46		47	 	48	 	53	 	
× 6 K3-01004 M4×25		× 6 K3-03004 M4		× 12 K3-05006 M6×8		× 4 K3-05050 M5×12		

68040		Steiggeländer PROVA Starter-Set für 4 Stufen PROVA banister start for 4 steps					
17		20			21	22	
× 2 K2-04040					× 2 K1-41090	× 4 K1-01160	
26							
× 1 K1-01107							
27							
× 5 K1-18060							

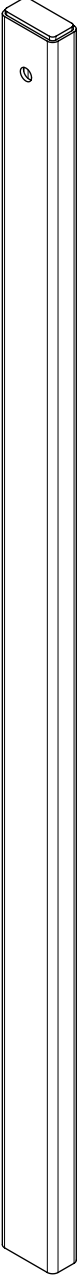
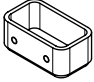
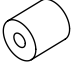






28	29	51
 		 
× 10 K1-01010	× 1 K2-14930	× 4 K3-02010 M10×70

68041

Steiggeländer PROVA Ergänzungs-Set für 4 Stufen
PROVA banister extension for 4 steps



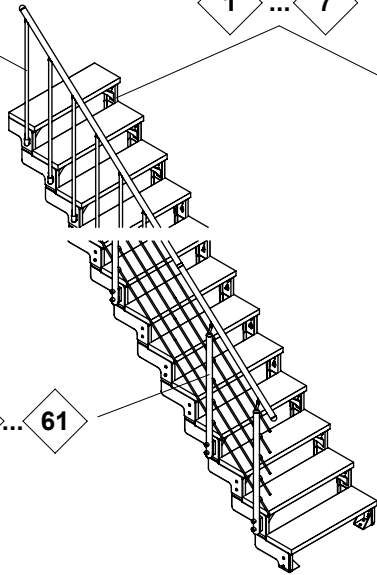
68098**Unterstützung
Support****OPTION**

<p>(24)</p>  <p>× 1 K1-41950</p>	<p>(26)</p>  <p>× 1 K1-41955</p>	<p>(27)</p>  <p>× 1 K1-41956</p>	<p>(41)</p>  <p>× 1 K3-04110 Ø10</p>	<p>(43)</p>  <p>× 1 K3-03051 M10</p>	<p>(52)</p>  <p>× 1 K3-02375 M10 x 75</p>
<p>(53)</p>  <p>× 2 K3-05007 M5 x 5</p>	<p>(54)</p>  <p>× 1 K3-08002 Ø8 x 40</p>	<p>(55)</p>  <p>× 1 K3-06032 Ø6 x 60</p>			

A

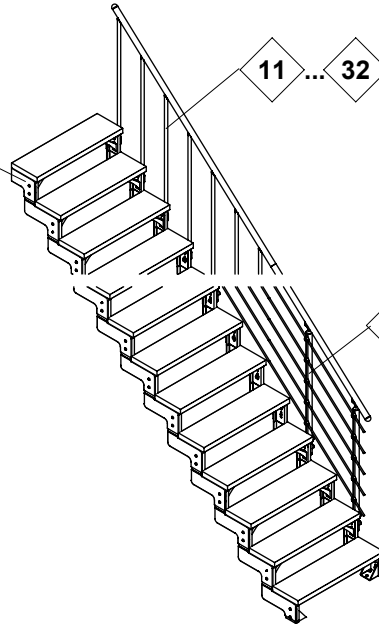
11 ... 32

1 ... 7



11 ... 32

A



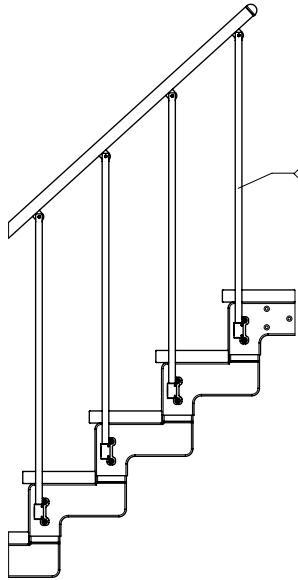
41 ... 61

B

B

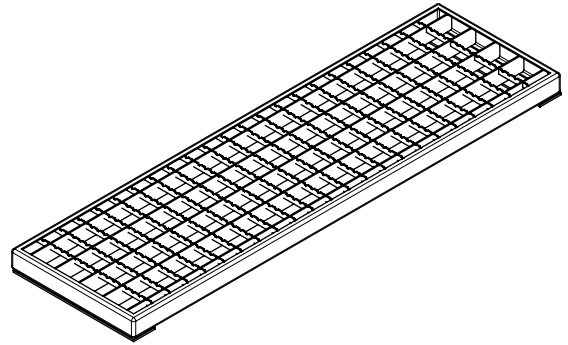
41 ... 61

A

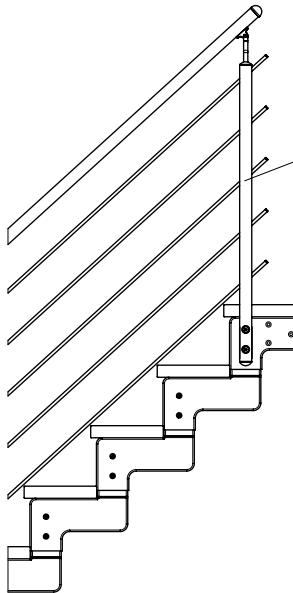


11 ... 32

+

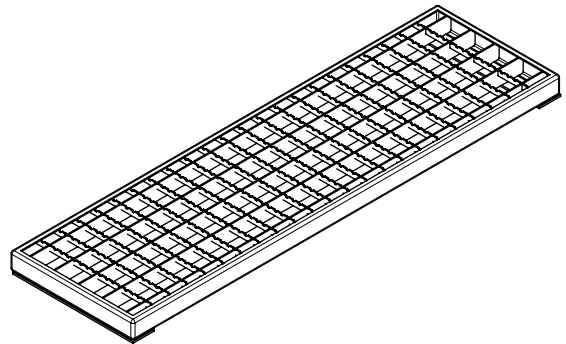


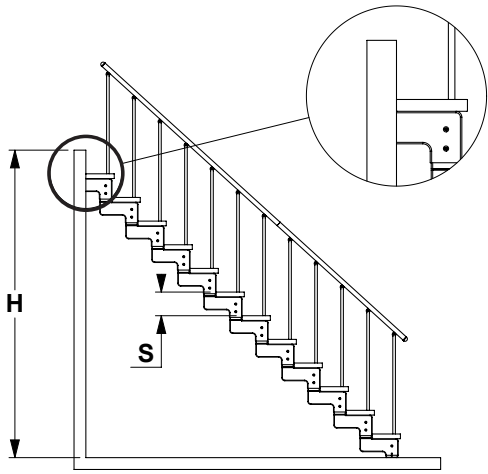
B




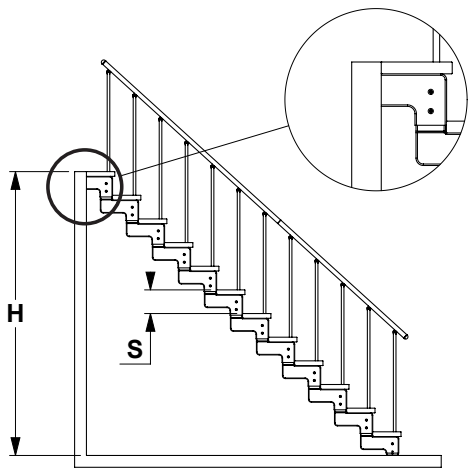
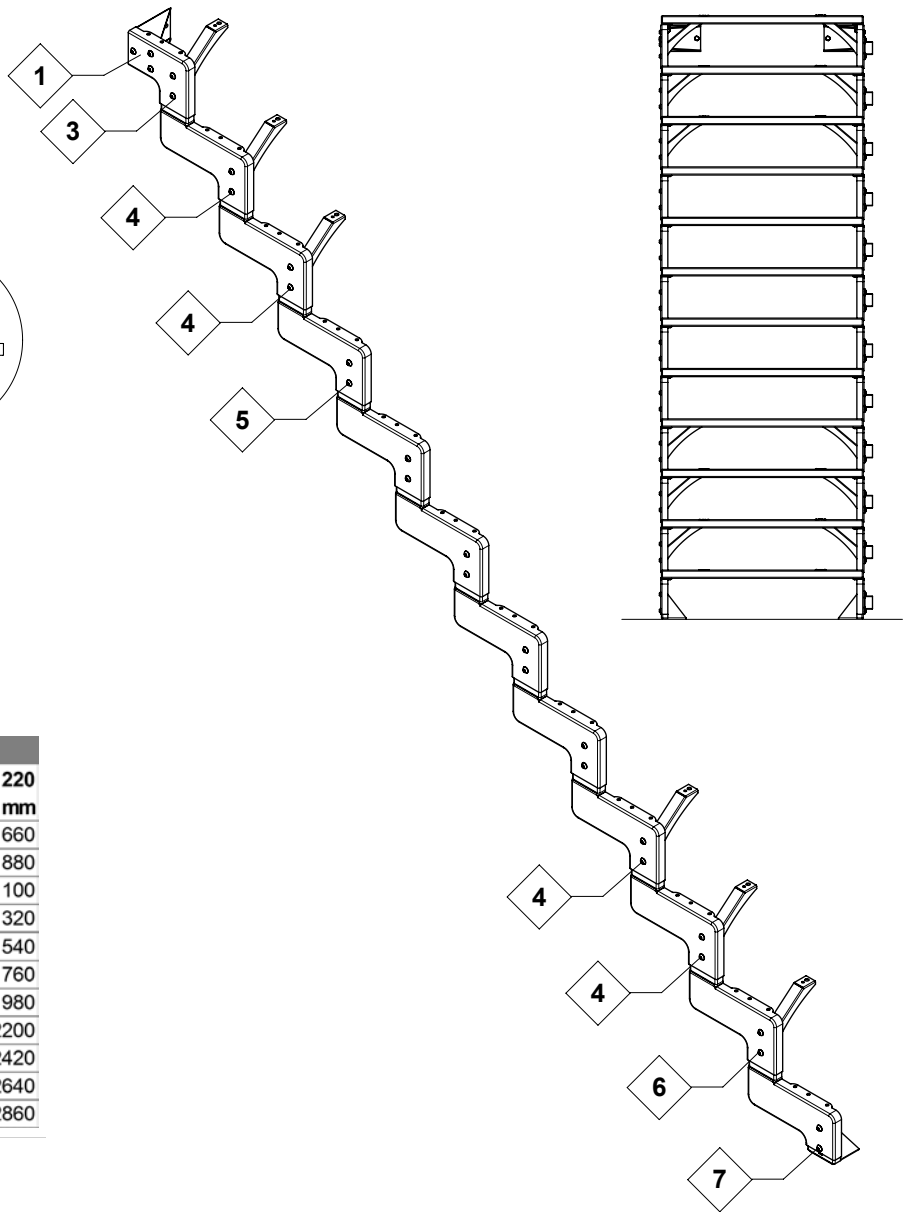
41 ... 61


+

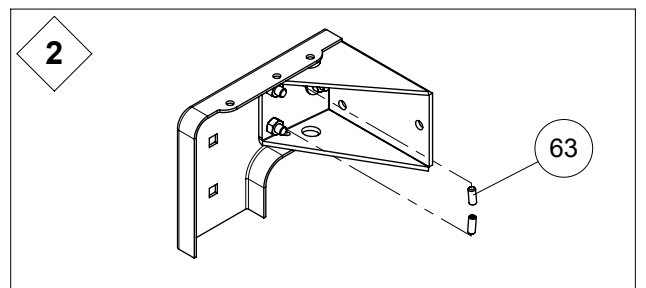
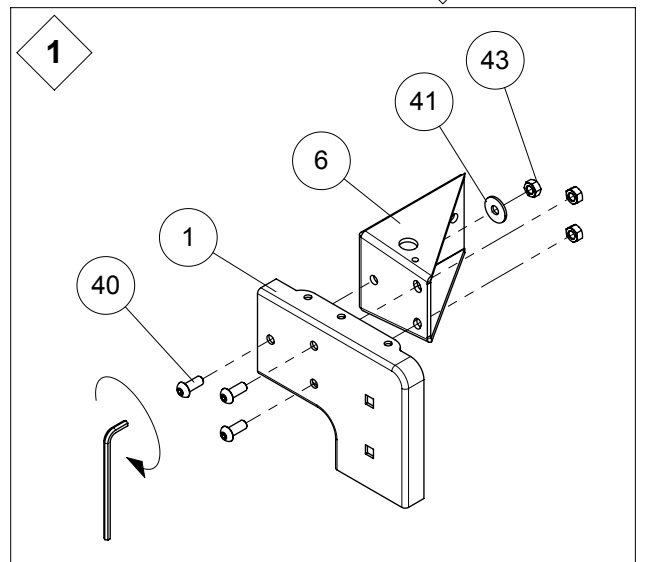


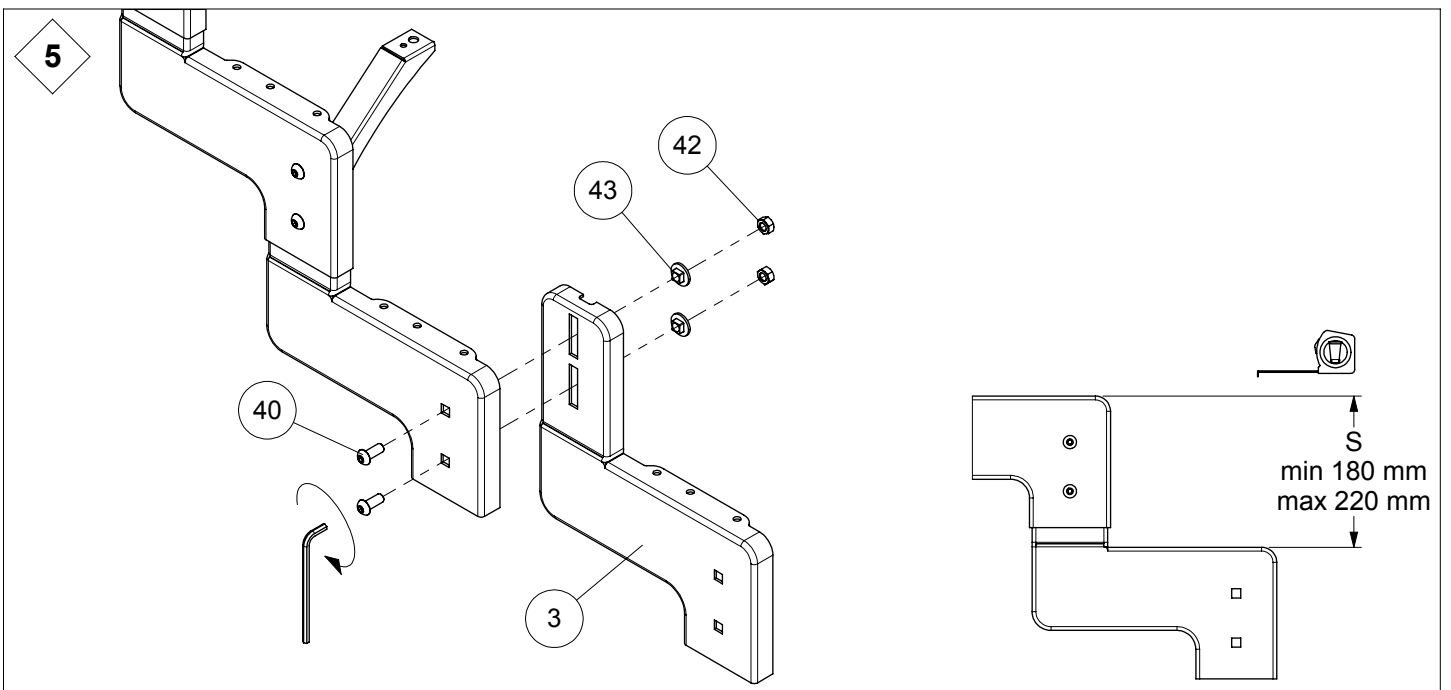
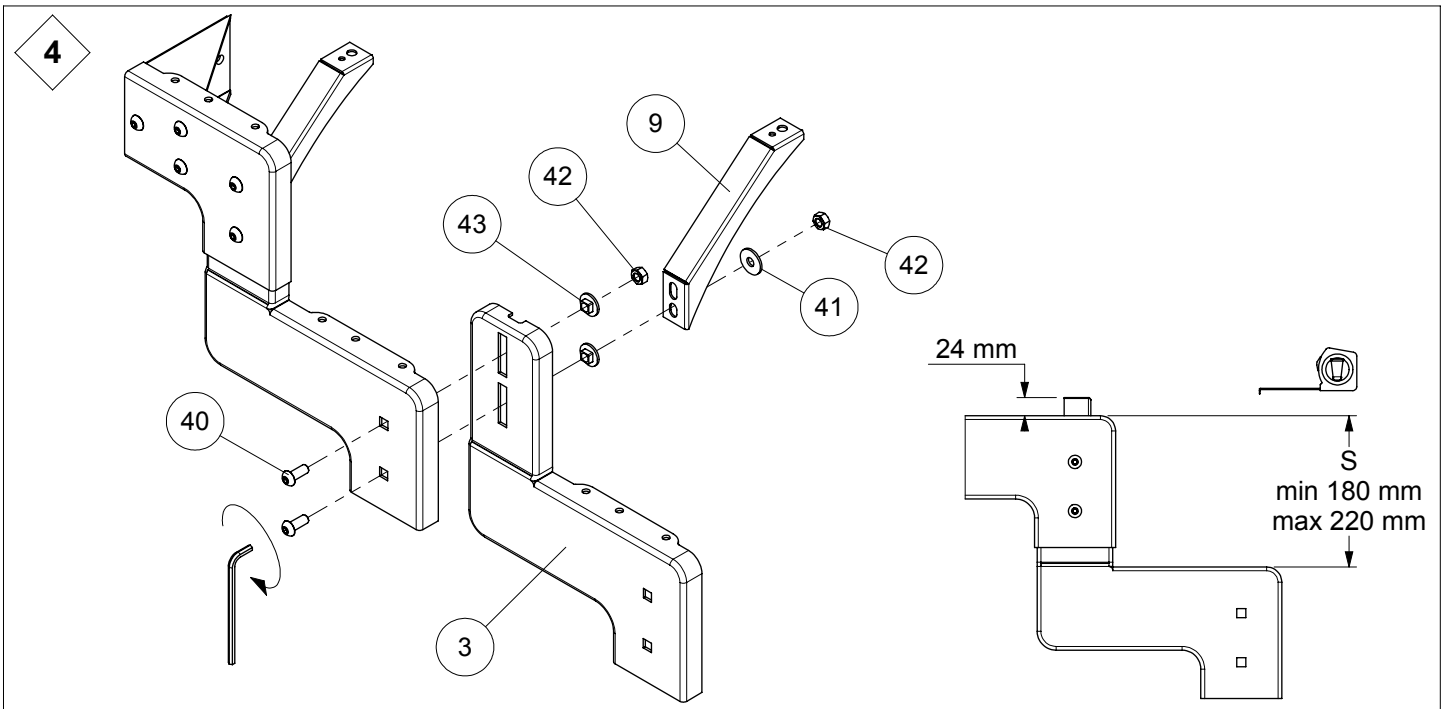
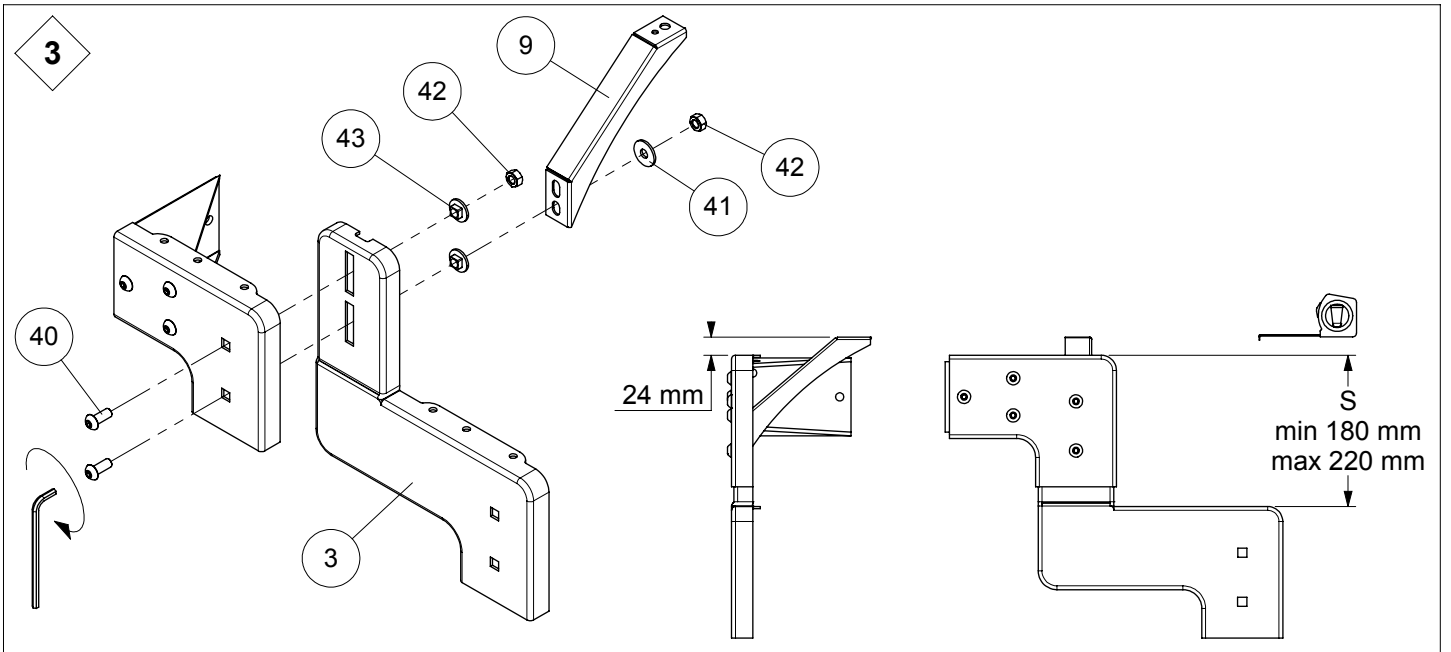


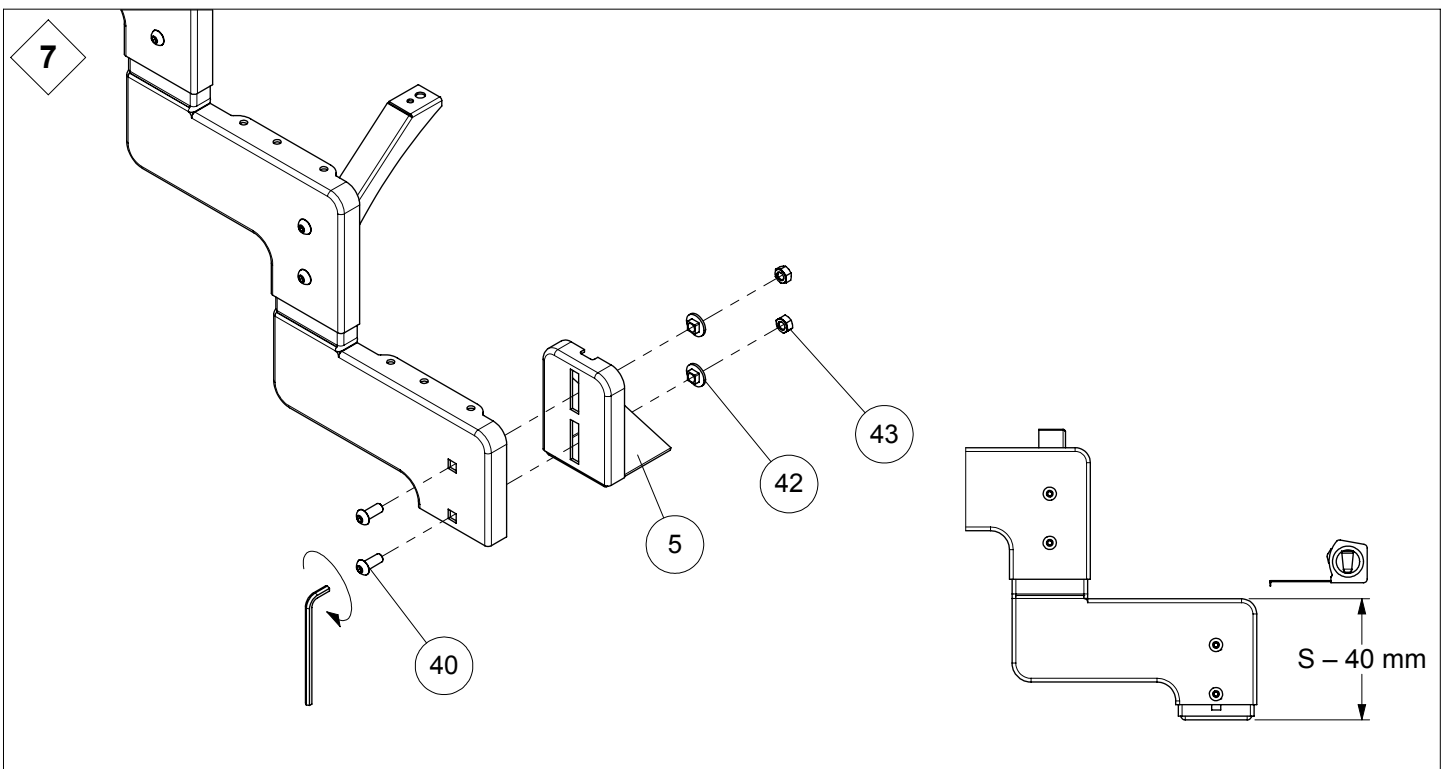
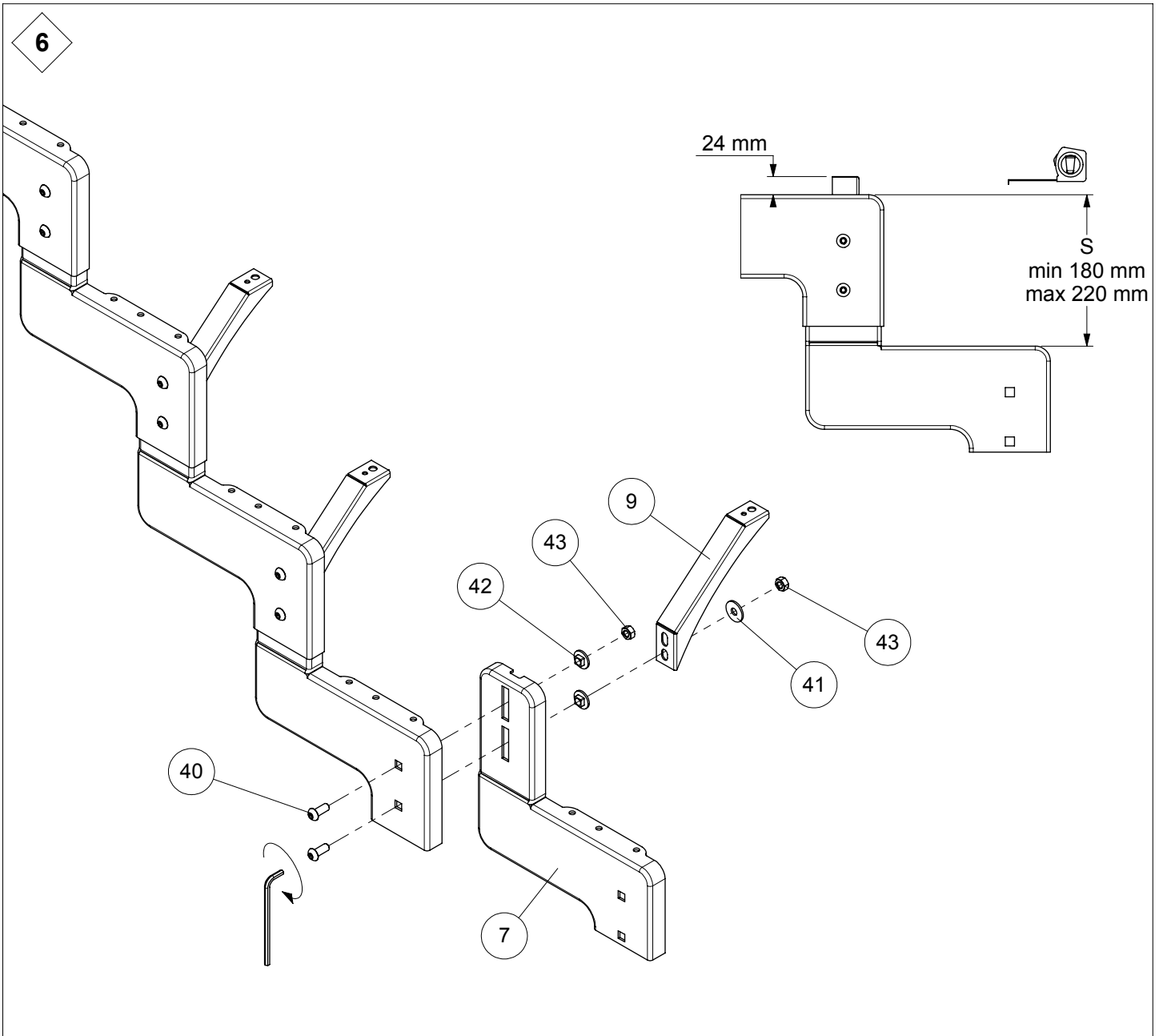
H	S				
	180	190	200	210	220
	mm	mm	mm	mm	mm
2	540	570	600	630	660
3	720	760	800	840	880
4	900	950	1000	1050	1100
5	1080	1140	1200	1260	1320
6	1260	1330	1400	1470	1540
7	1440	1520	1600	1680	1760
8	1620	1710	1800	1890	1980
9	1800	1900	2000	2100	2200
10	1980	2090	2200	2310	2420
11	2160	2280	2400	2520	2640
12	2340	2470	2600	2730	2860

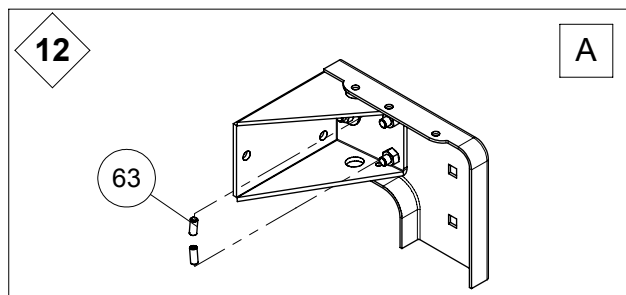
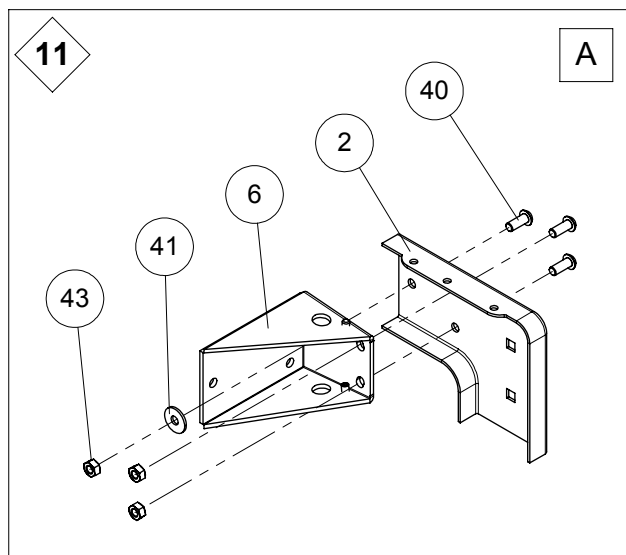
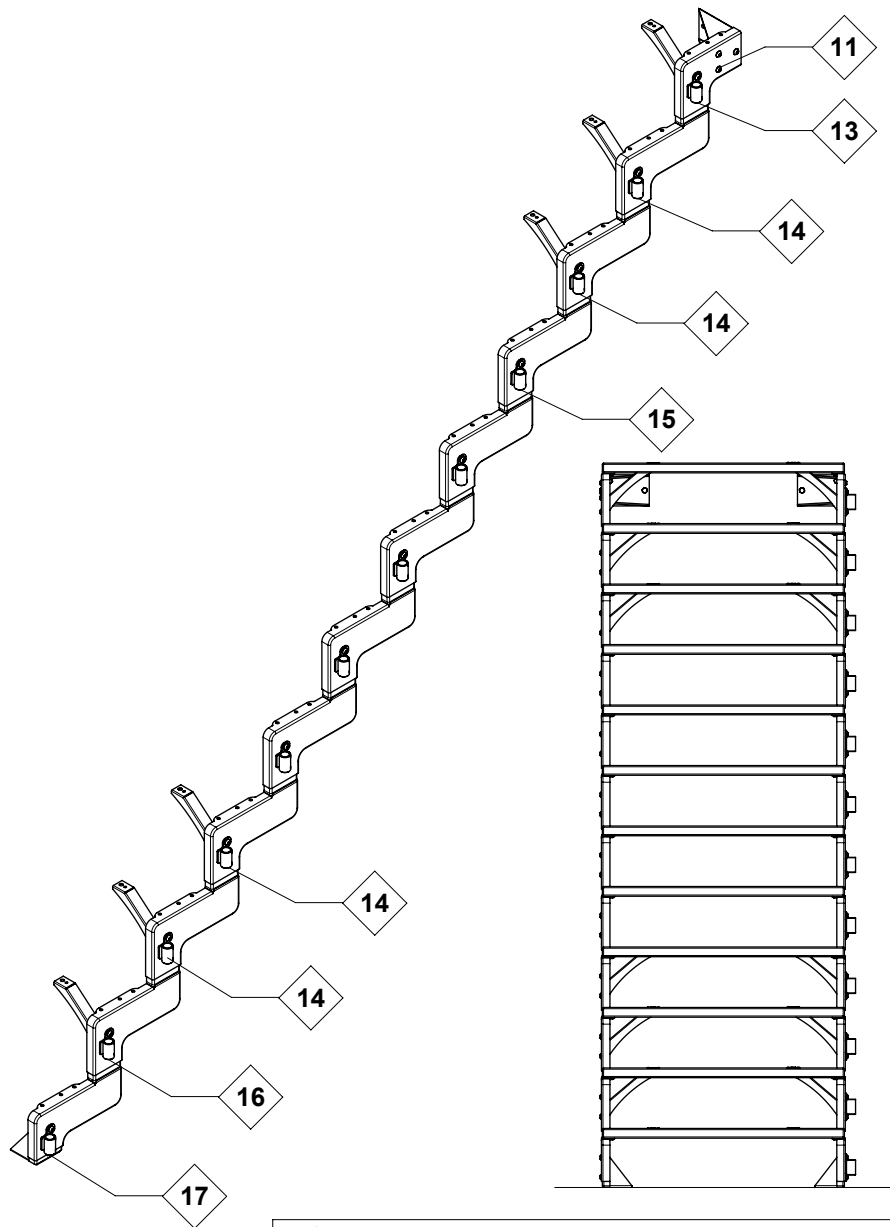


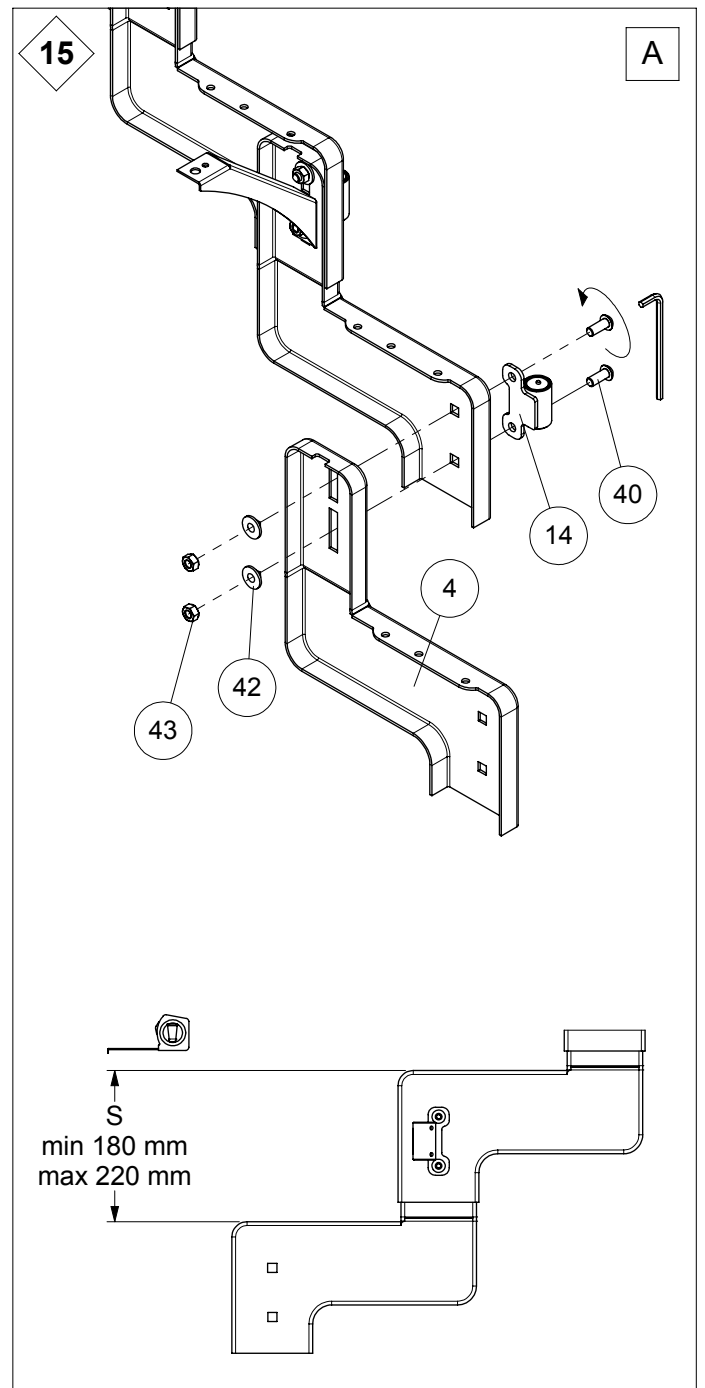
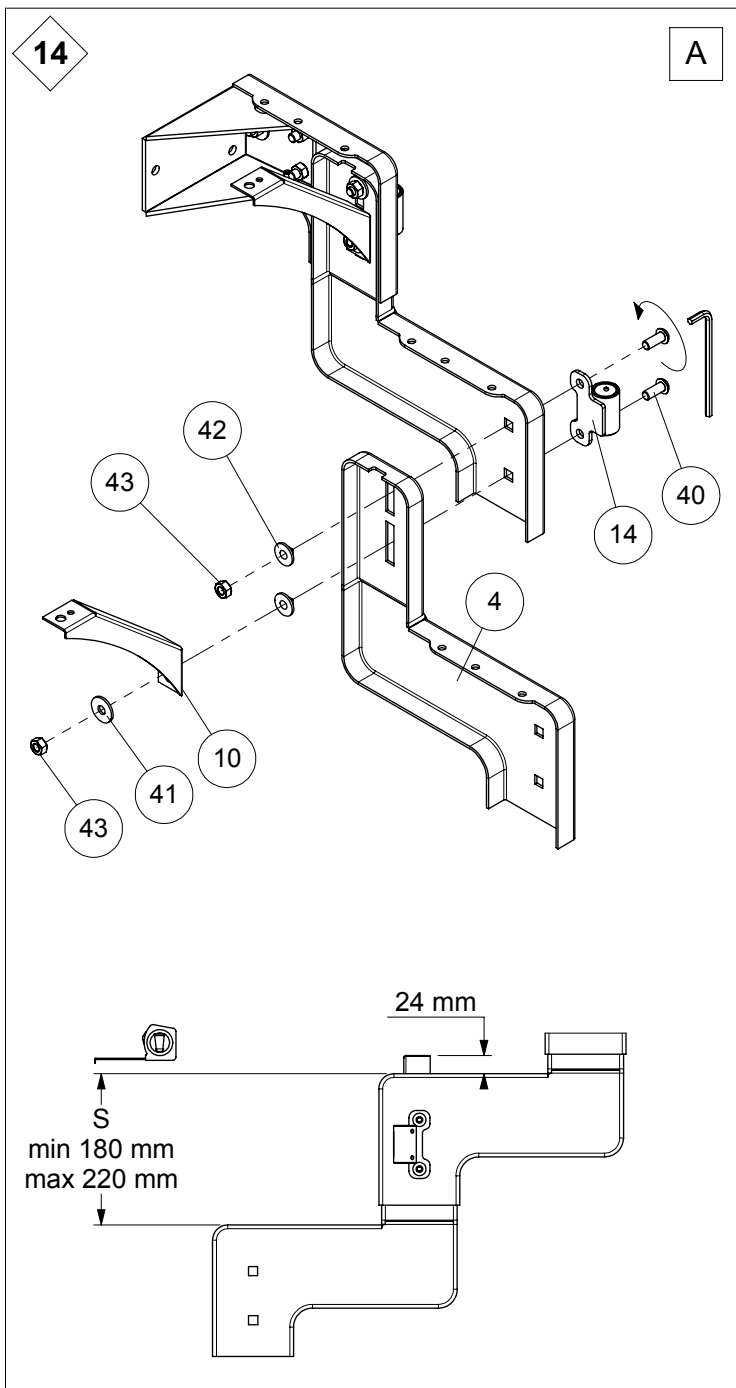
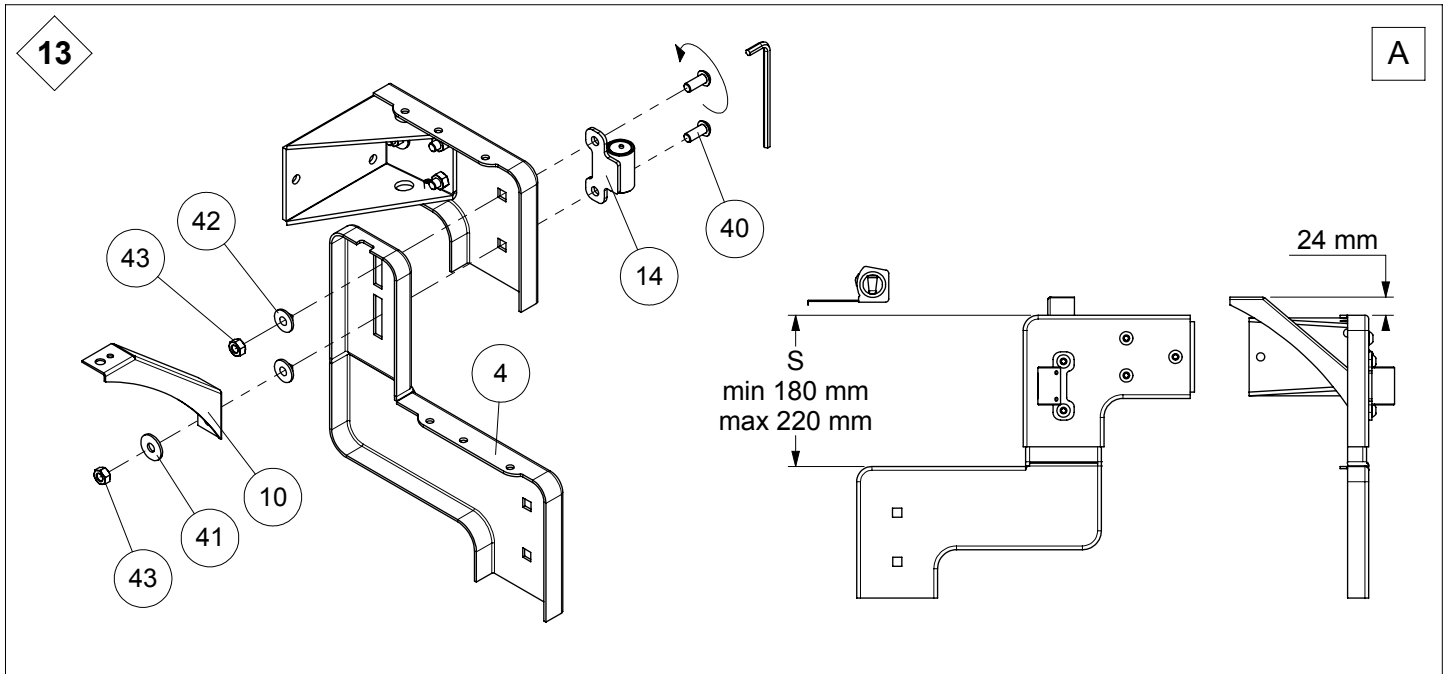
H	S				
	180	190	200	210	220
	mm	mm	mm	mm	mm
2	360	380	400	420	440
3	540	570	600	630	660
4	720	760	800	840	880
5	900	950	1000	1050	1100
6	1080	1140	1200	1260	1320
7	1260	1330	1400	1470	1540
8	1440	1520	1600	1680	1760
9	1620	1710	1800	1890	1980
10	1800	1900	2000	2100	2200
11	1980	2090	2200	2310	2420
12	2160	2280	2400	2520	2640





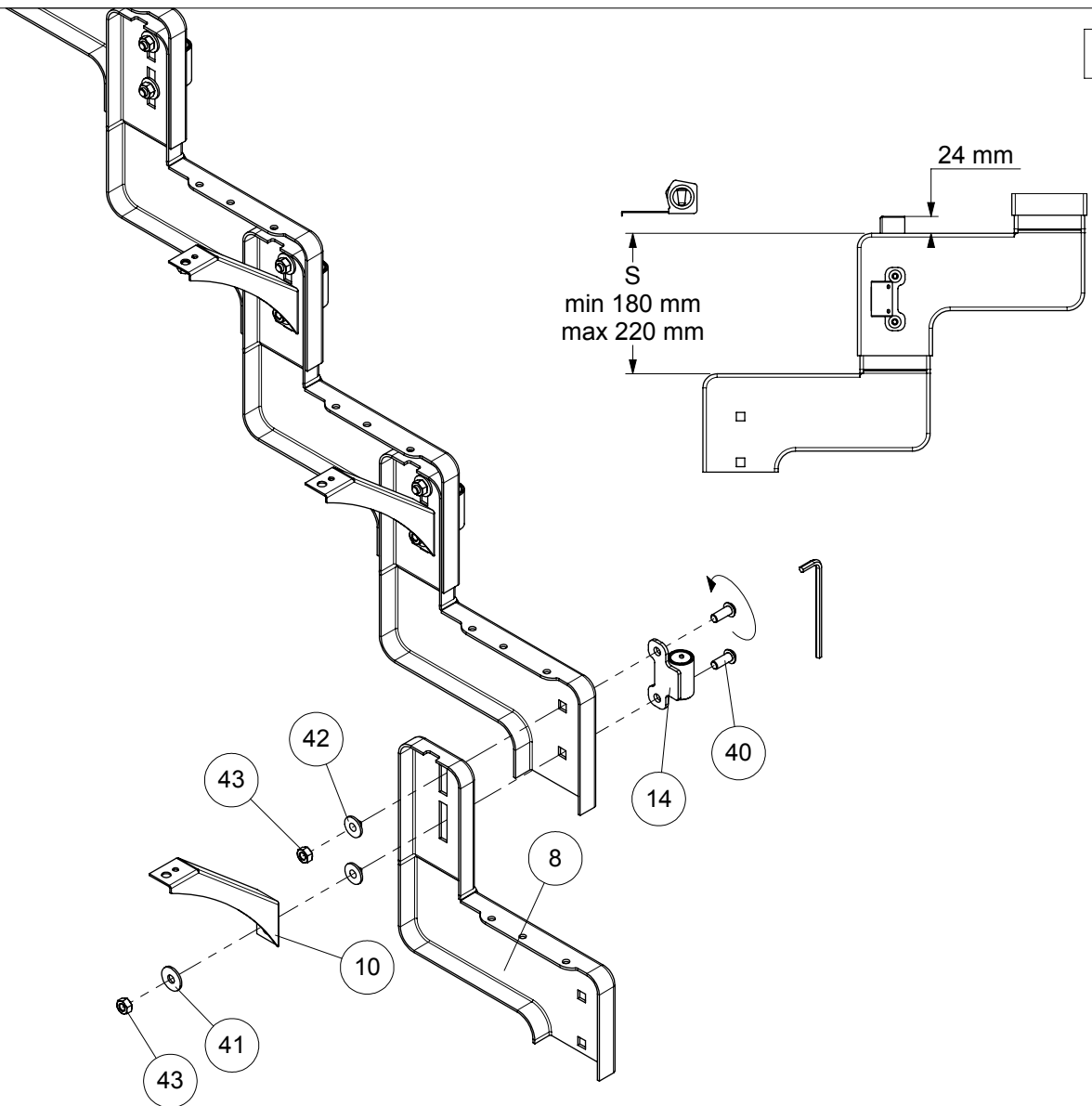






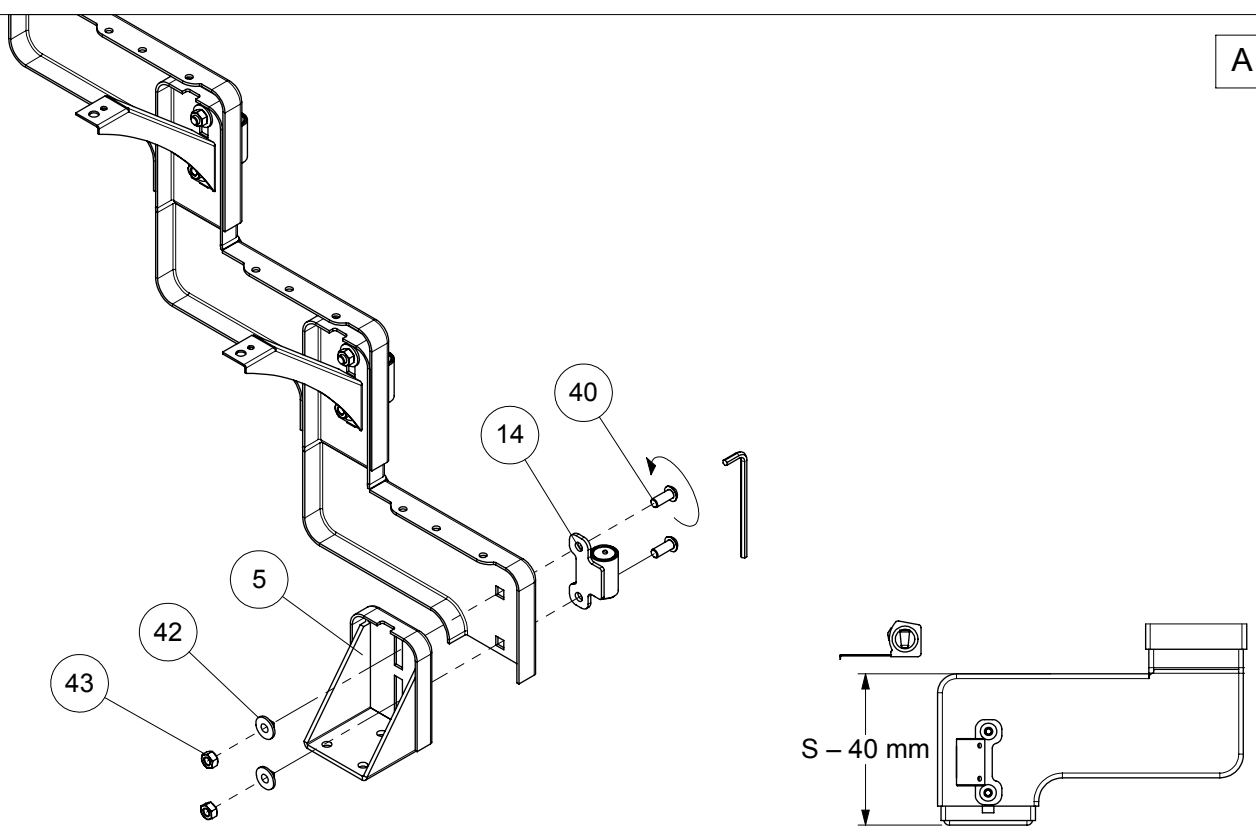
16

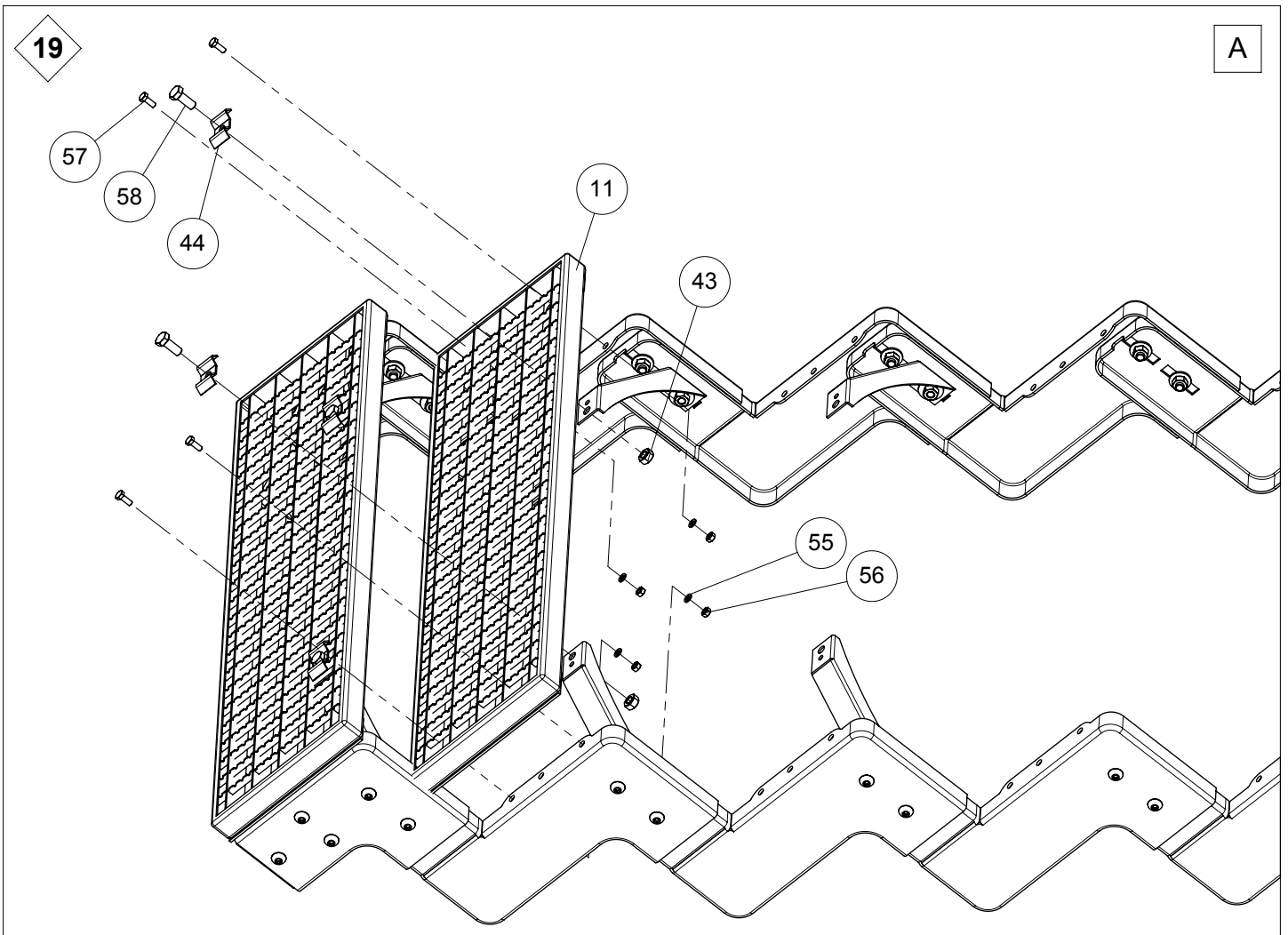
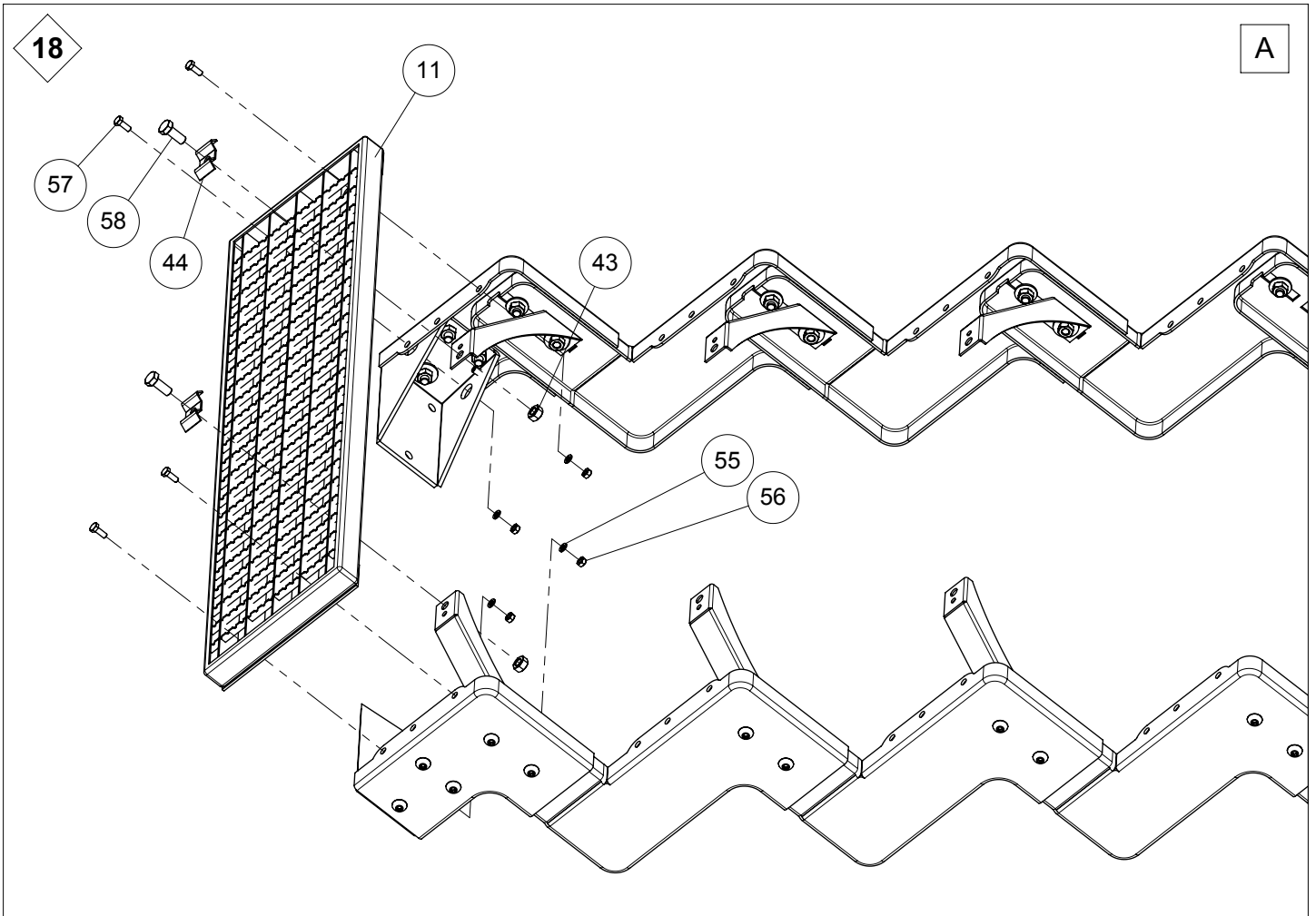
A



17

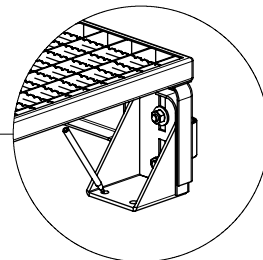
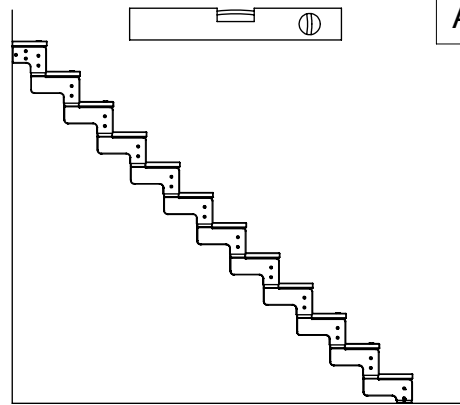
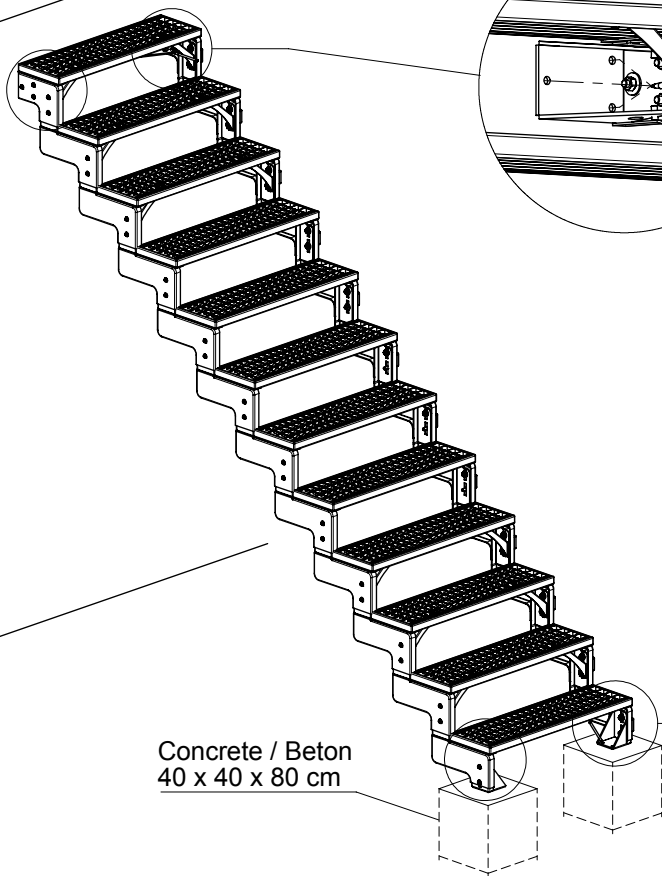
A





20

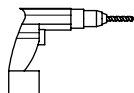
A



21

22

A



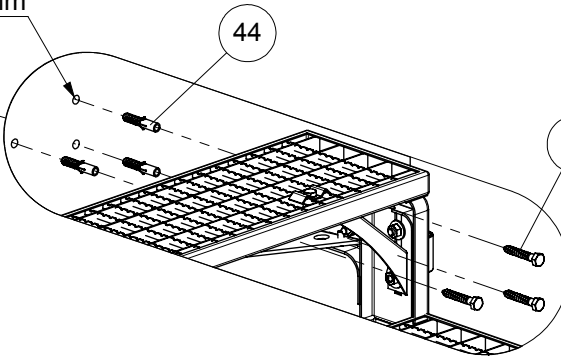
21

Ø 12mm ▽ 70mm

44

45

22

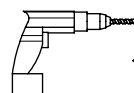


22

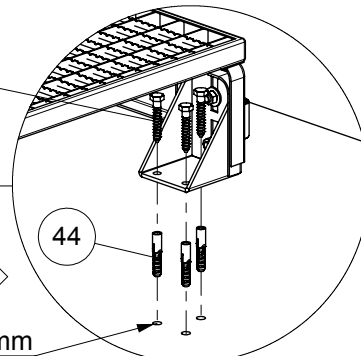
45

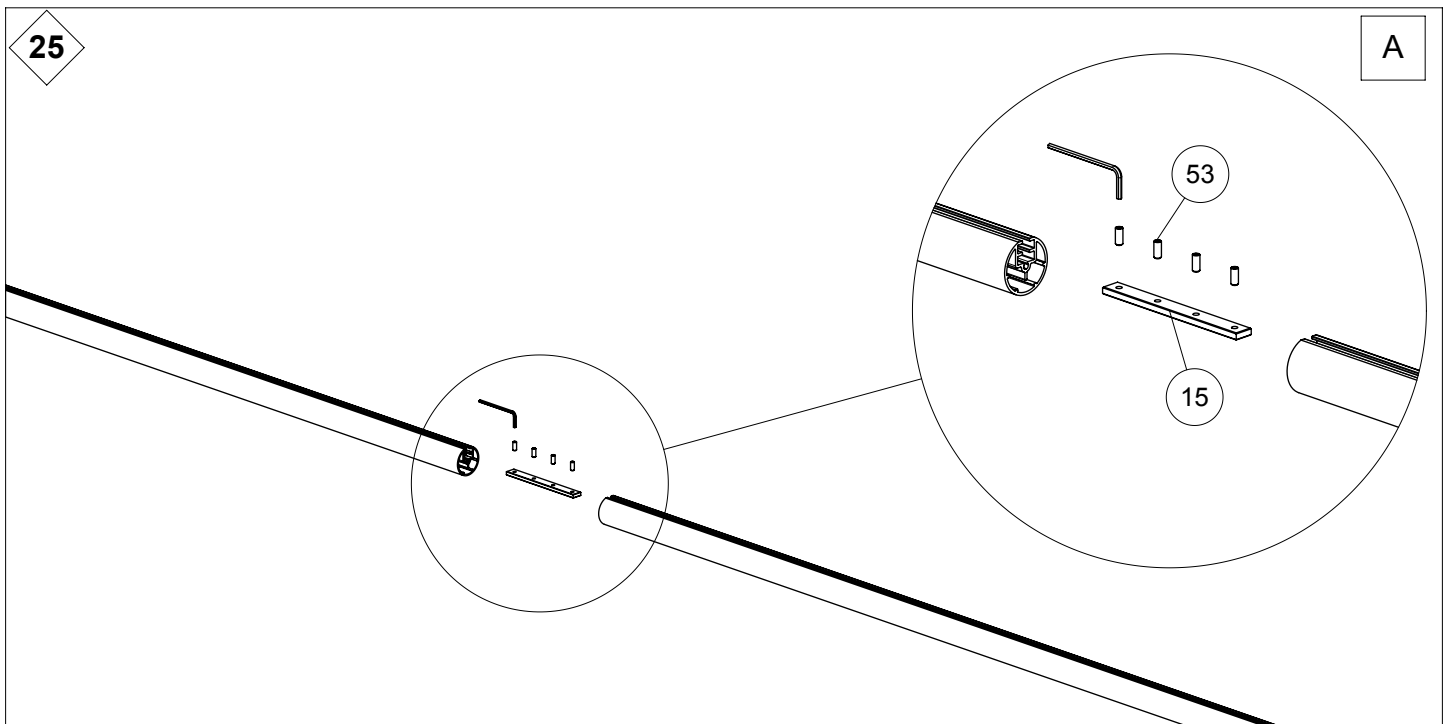
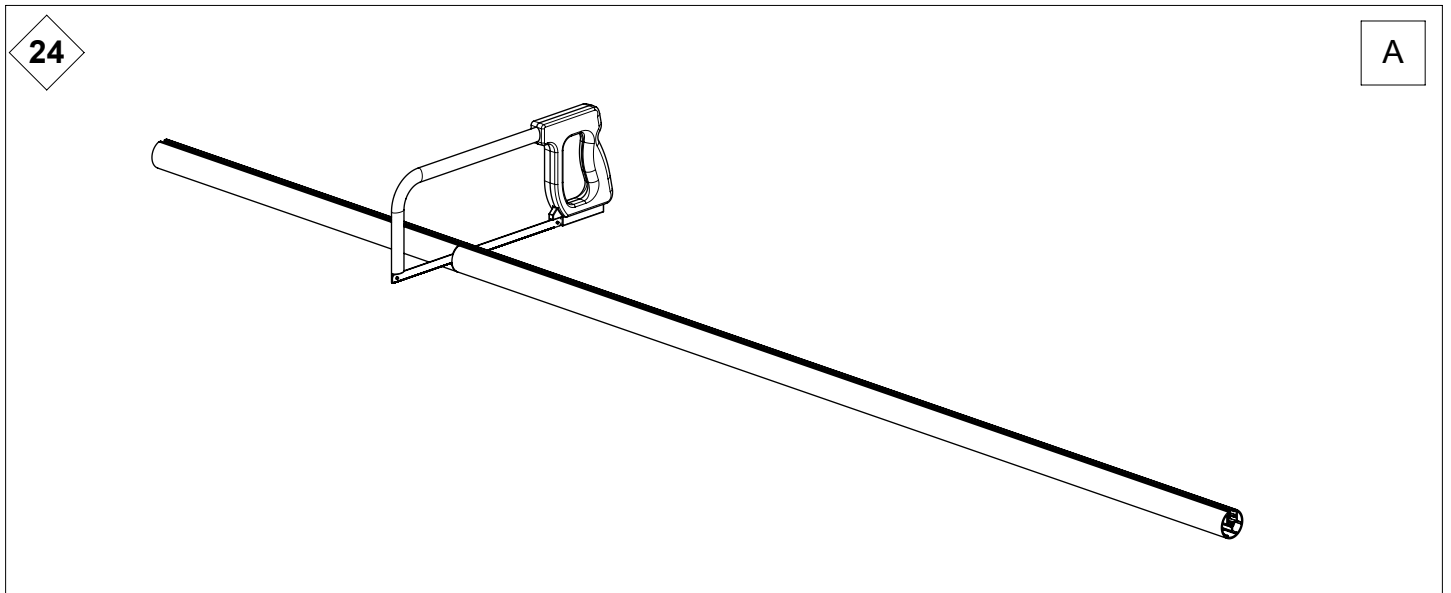
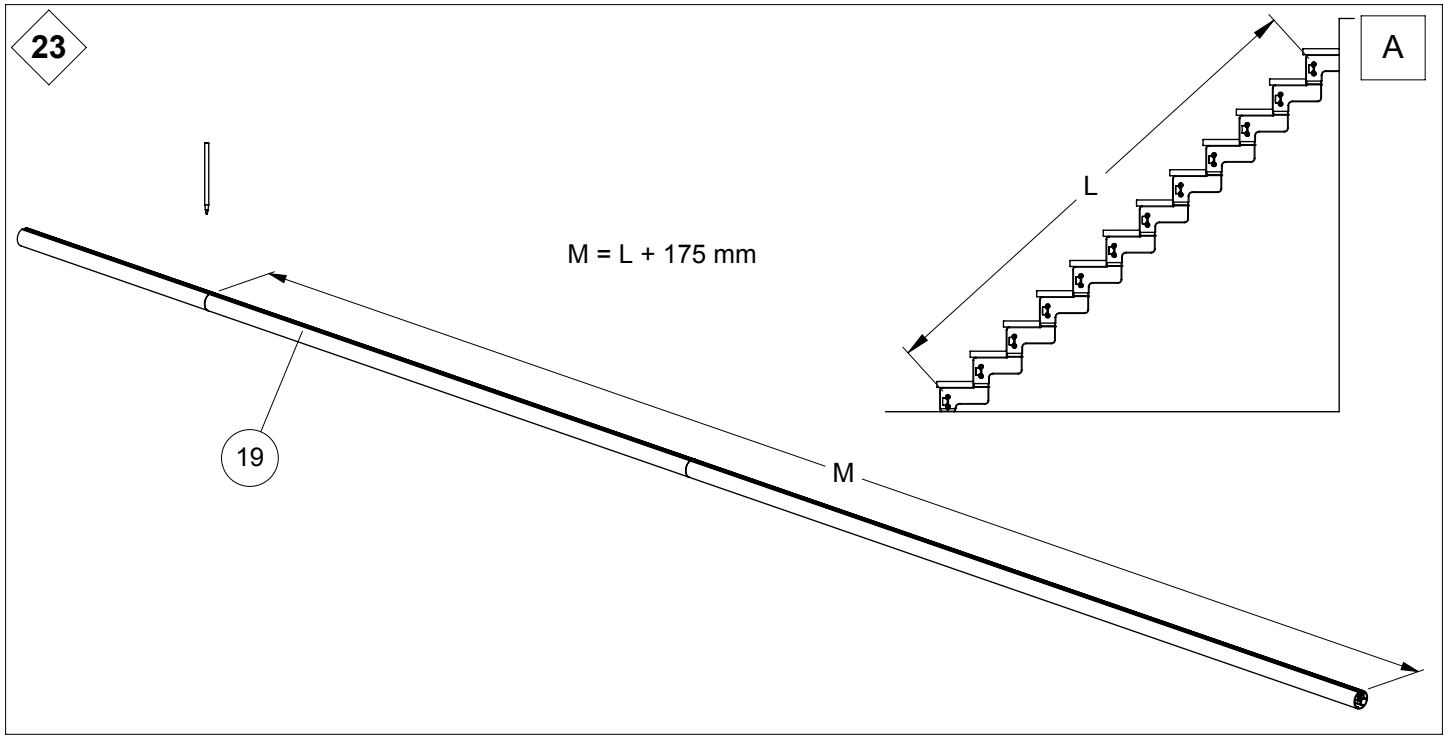
21

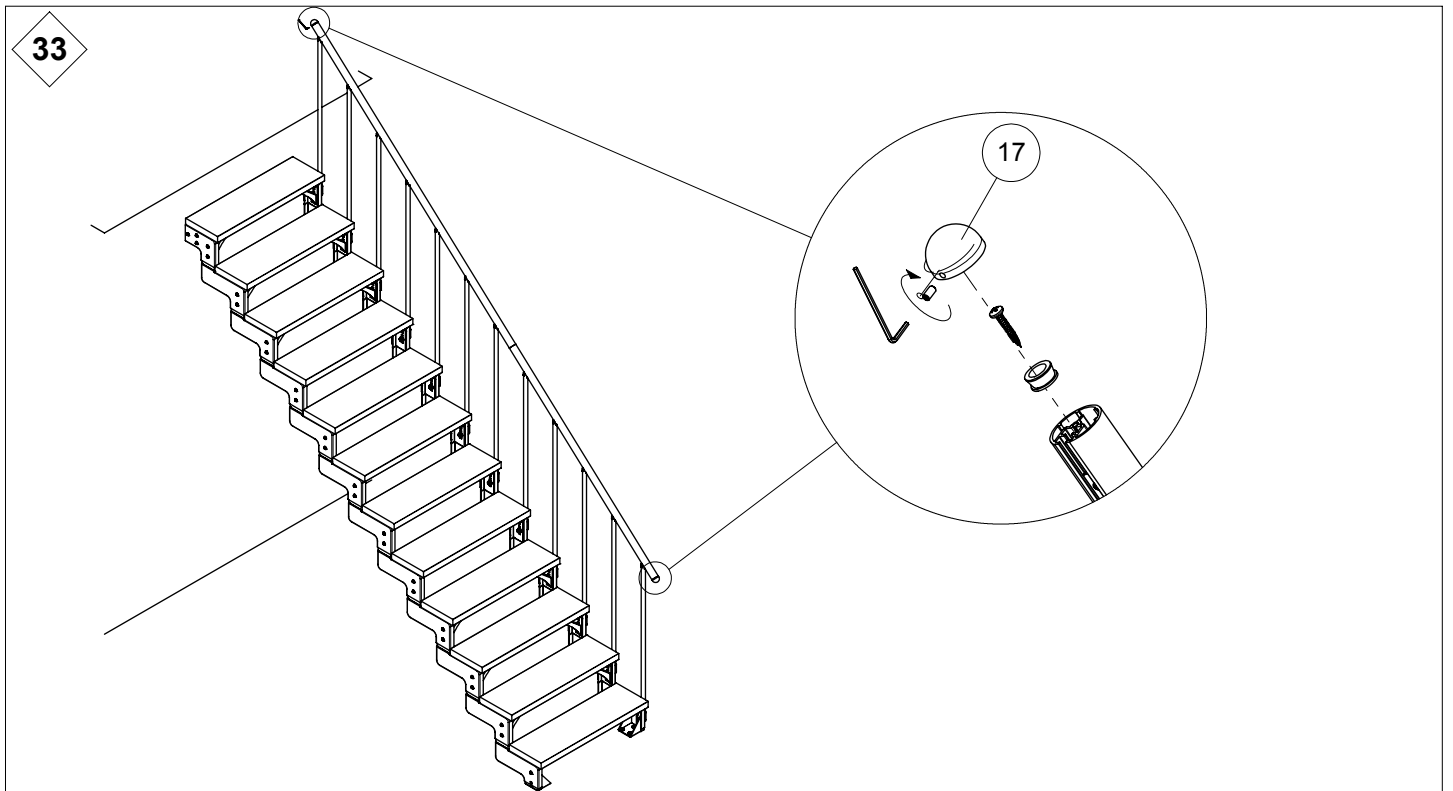
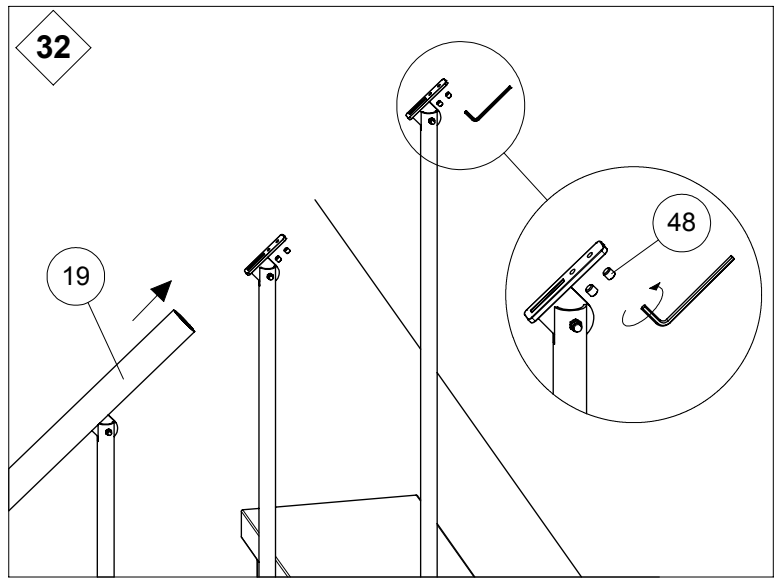
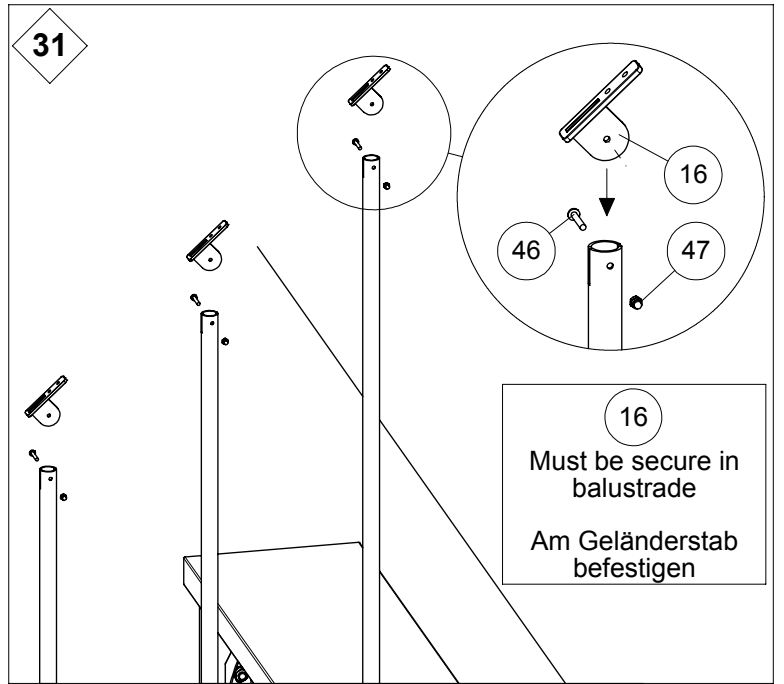
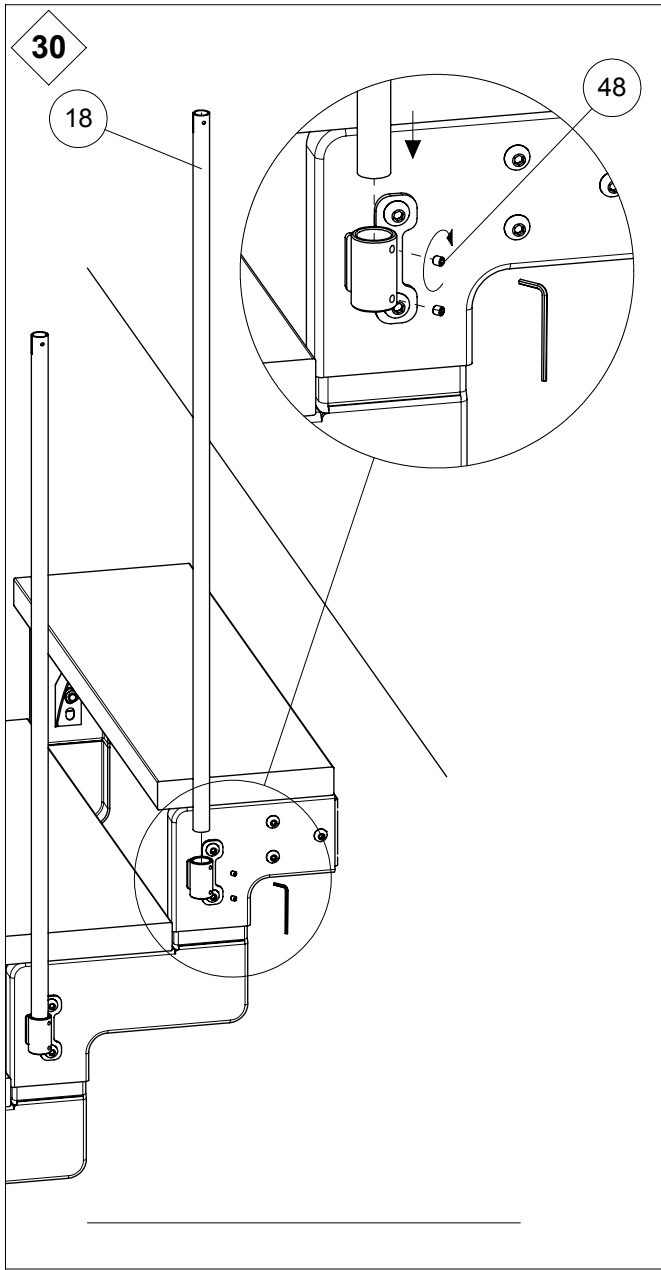
44

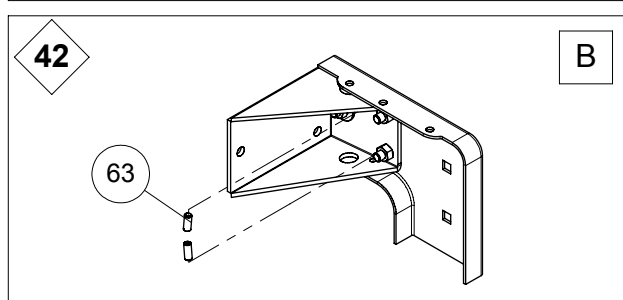
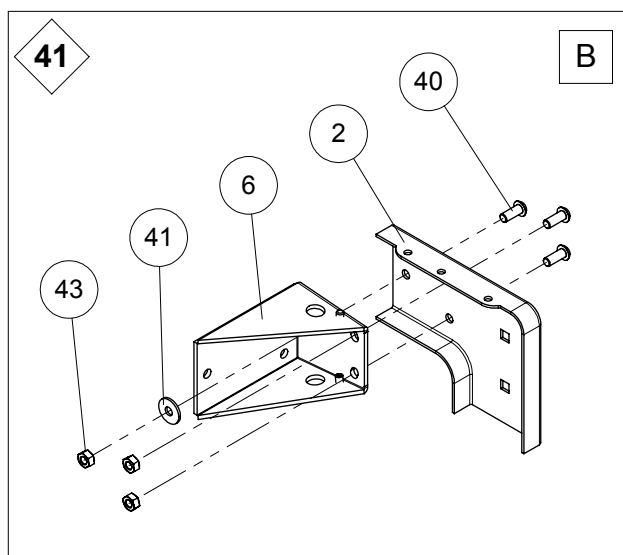
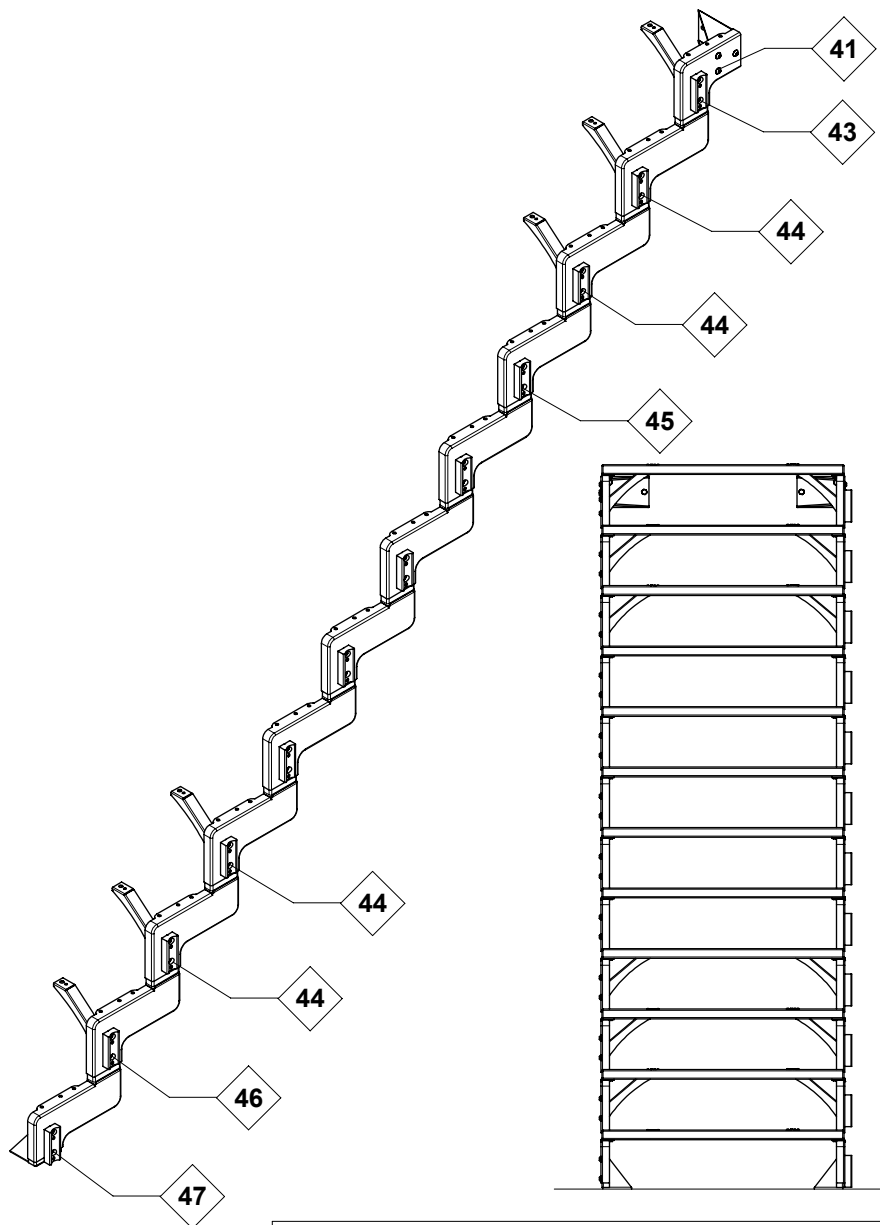


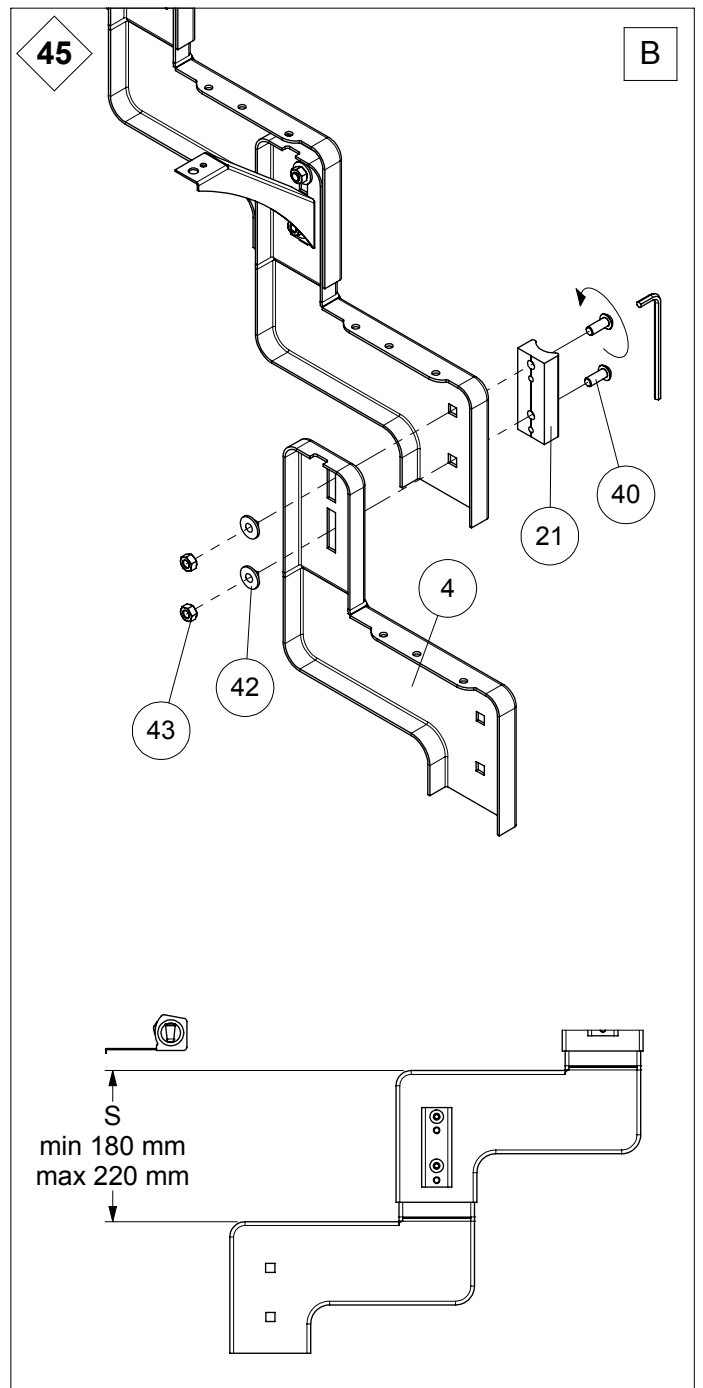
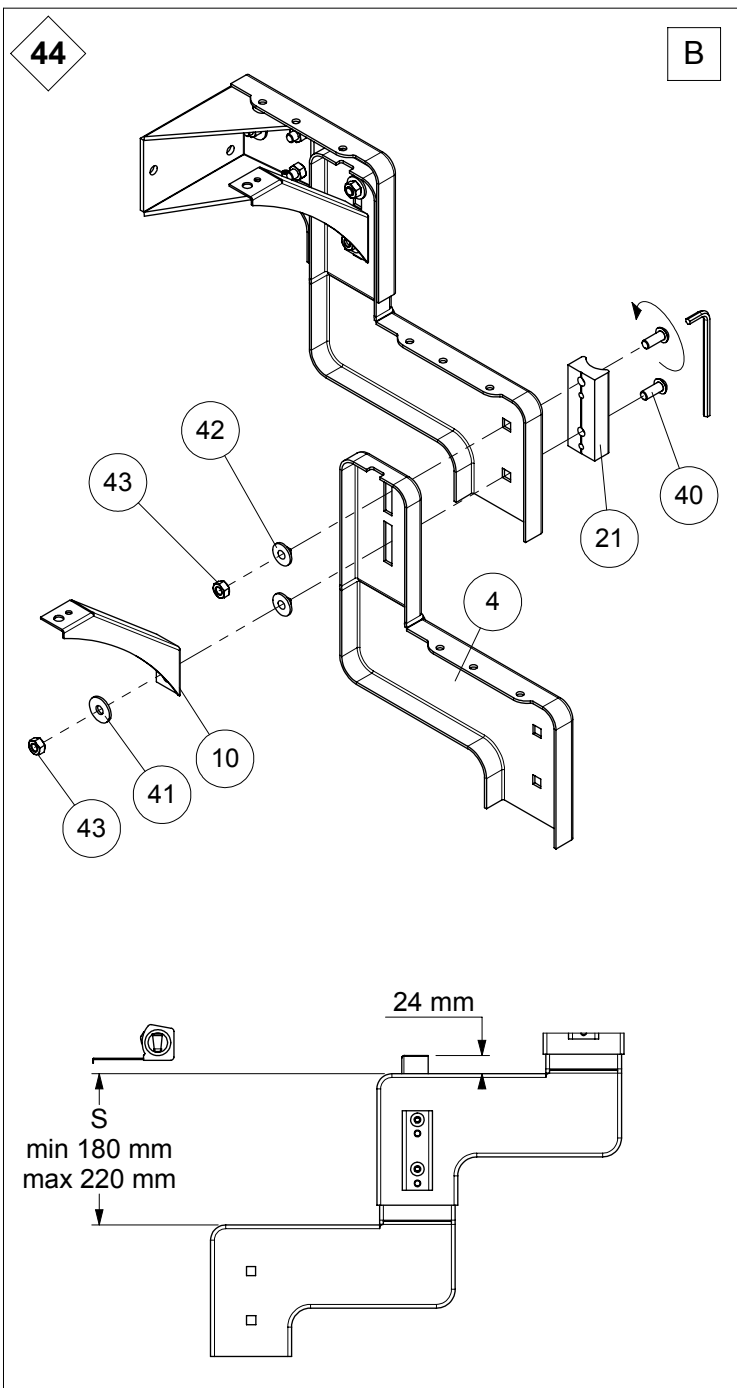
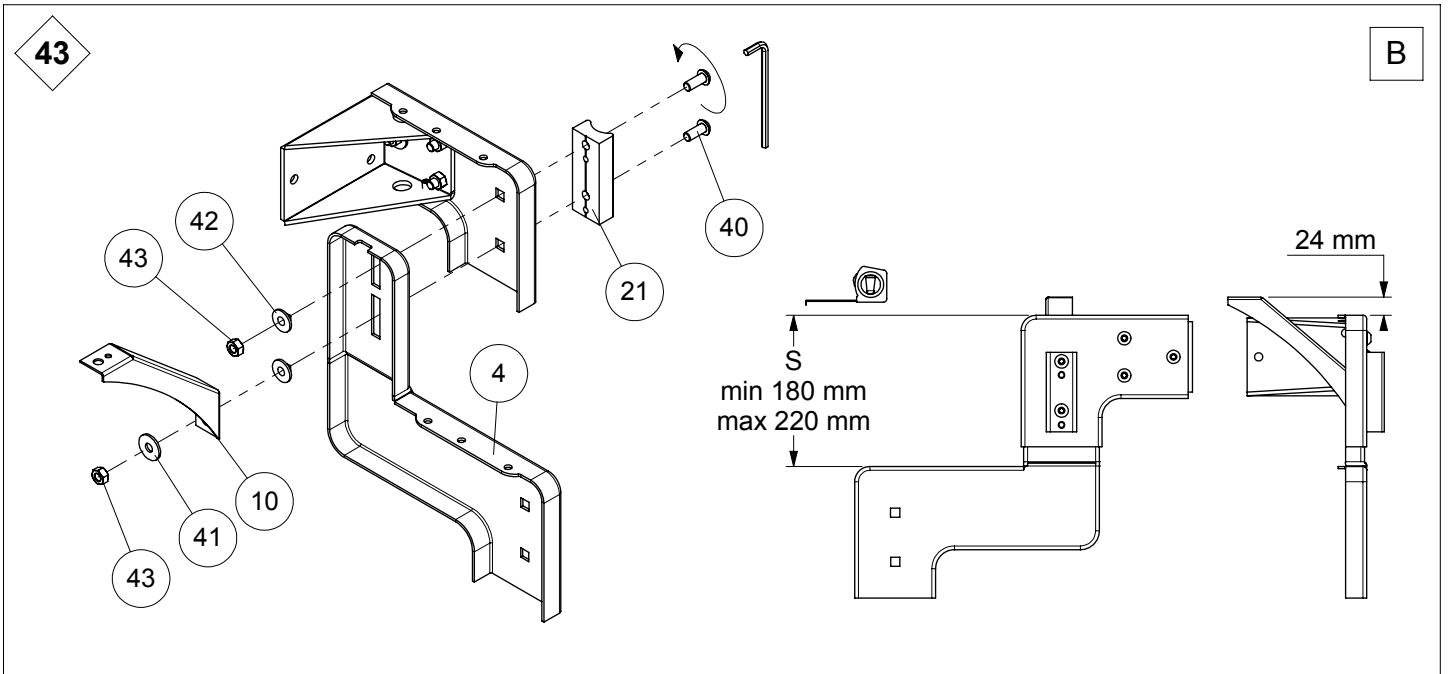
Ø 12mm ▽ 70mm





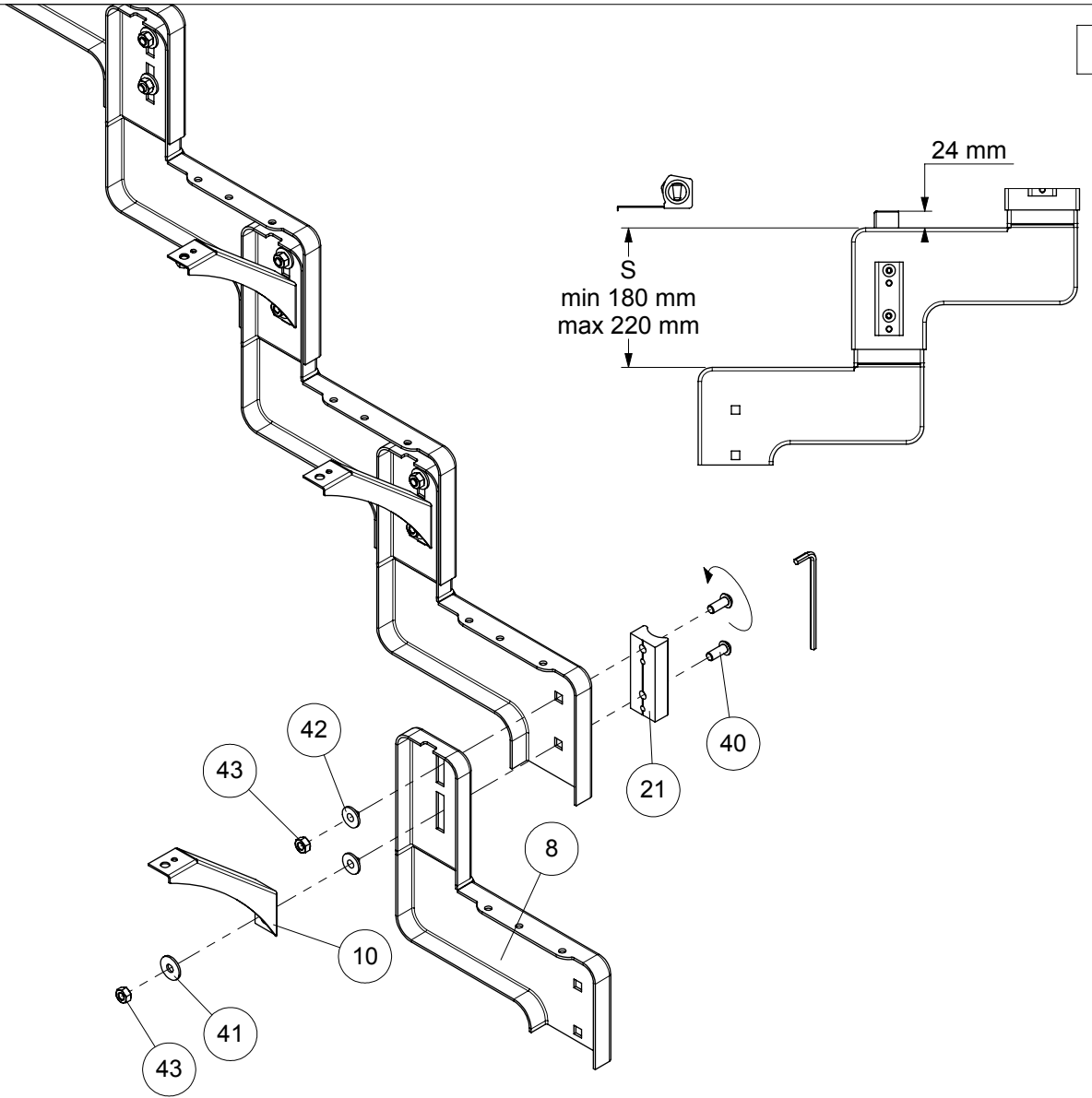






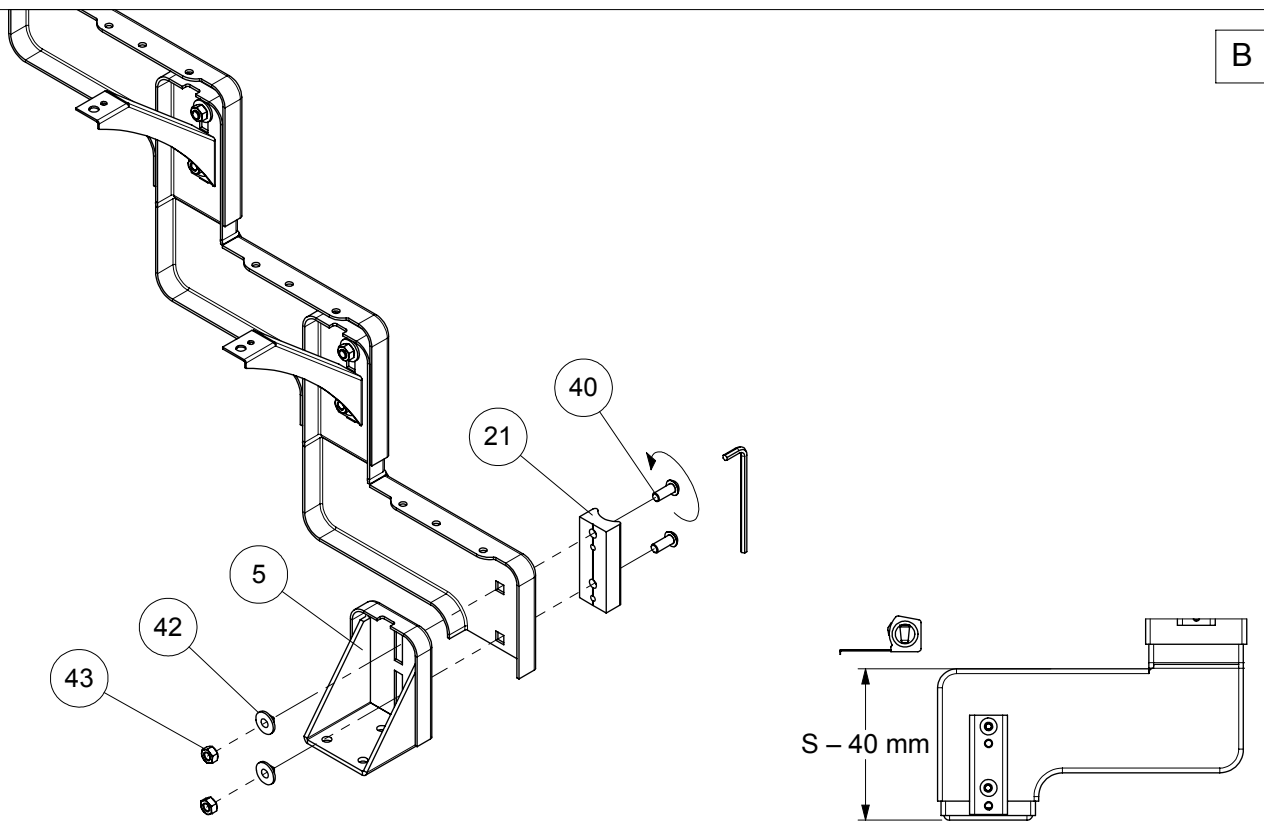
46

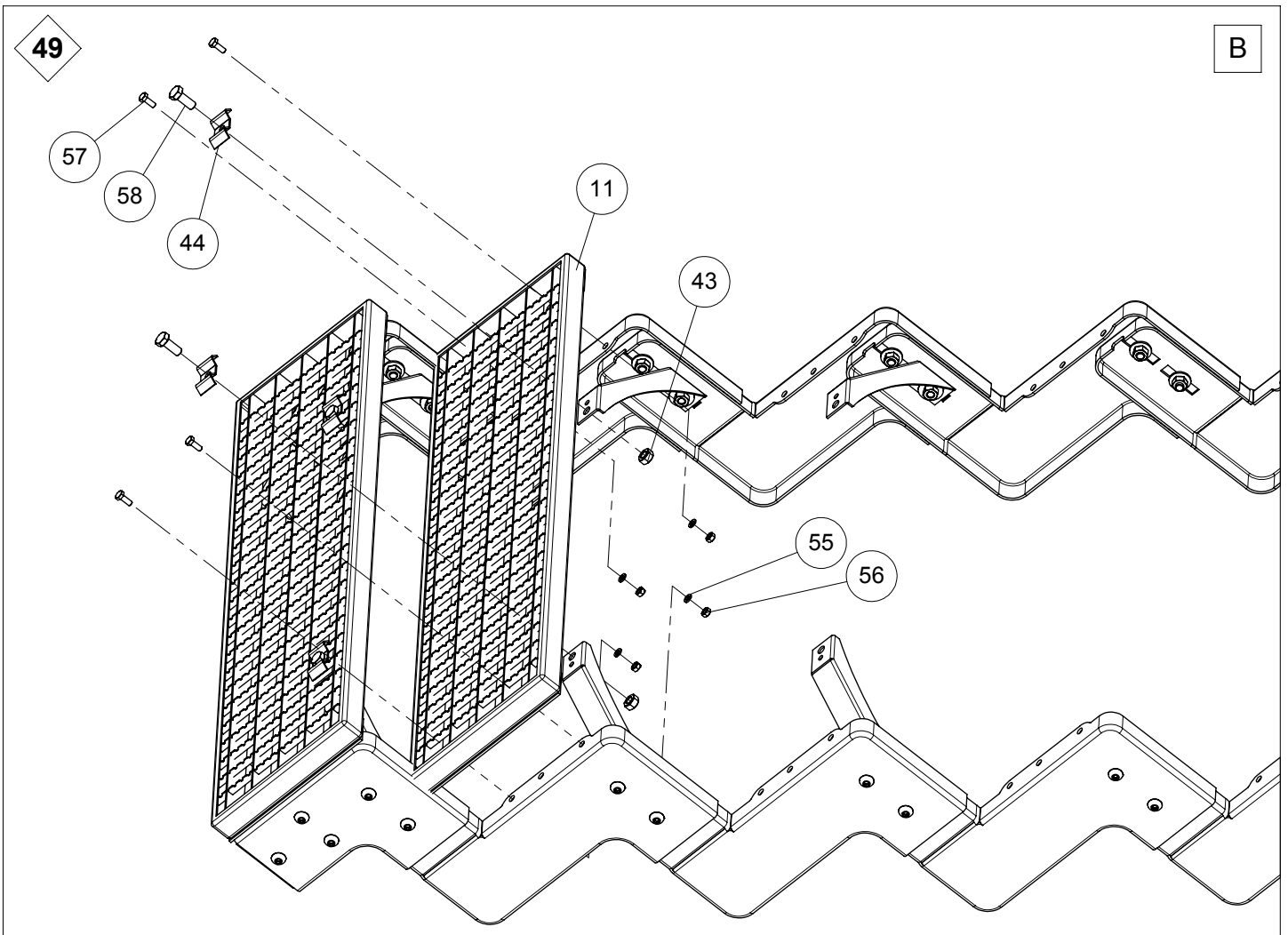
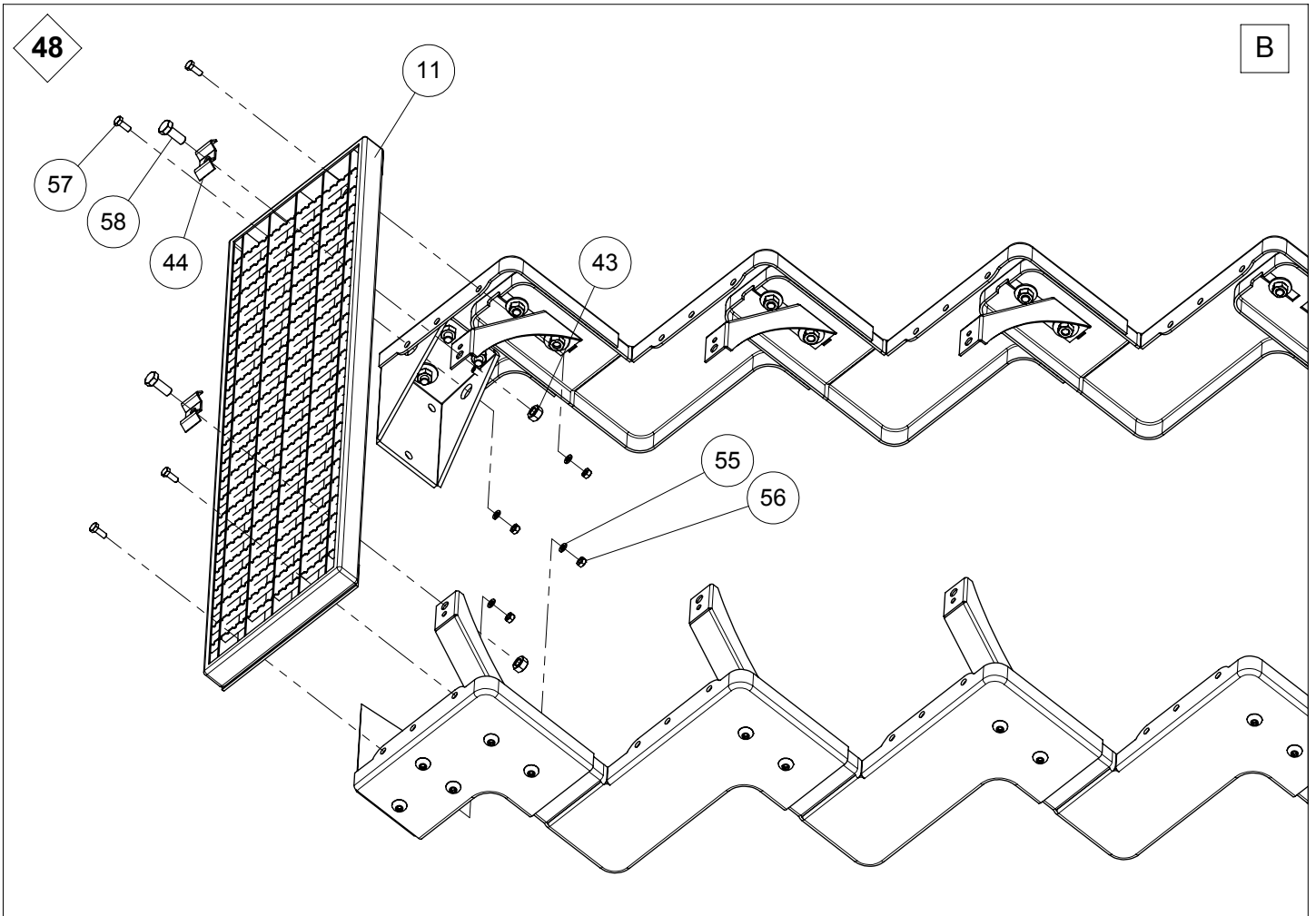
B



47

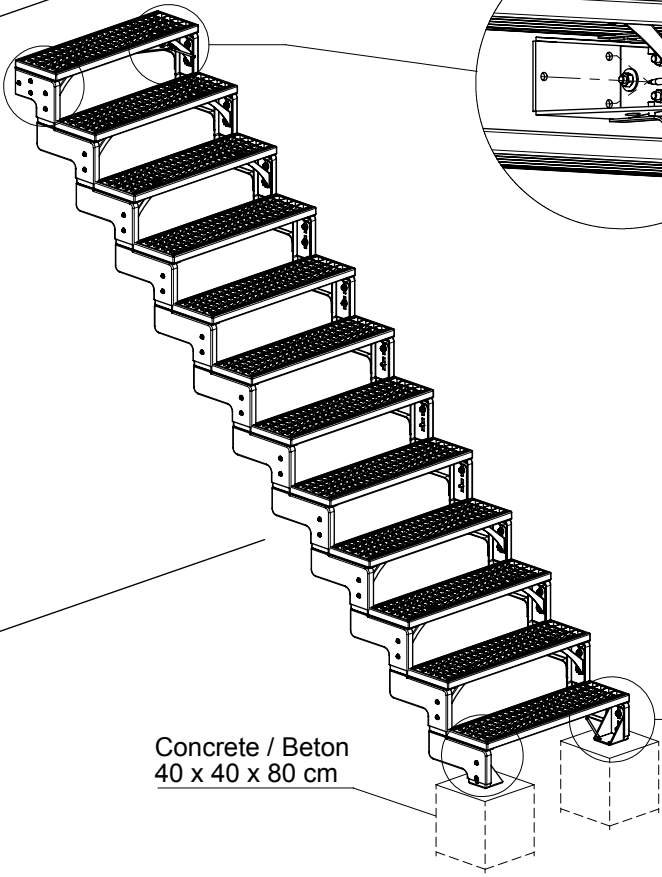
B



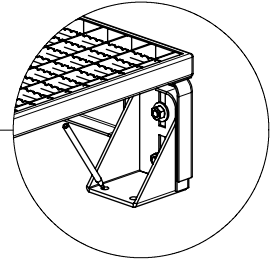
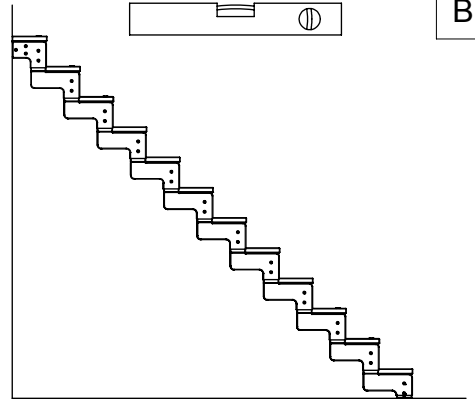


50

B



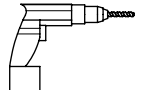
Concrete / Beton
40 x 40 x 80 cm



51

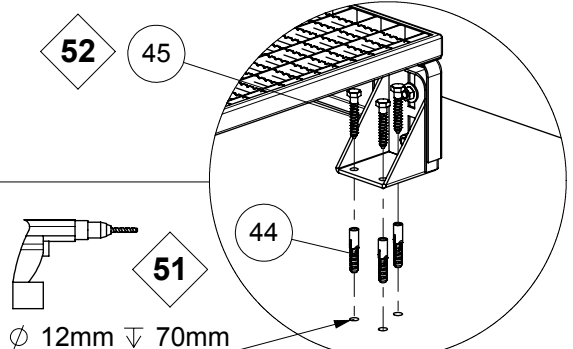
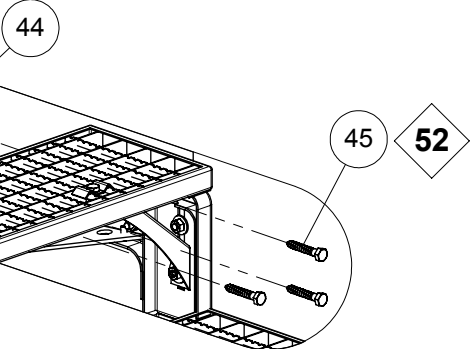
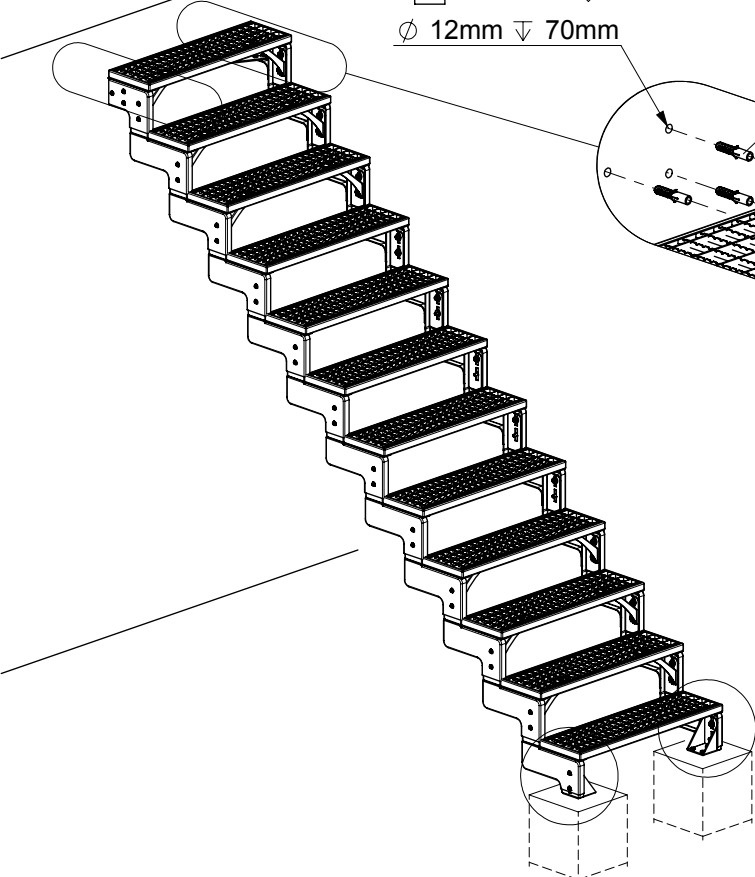
52

B

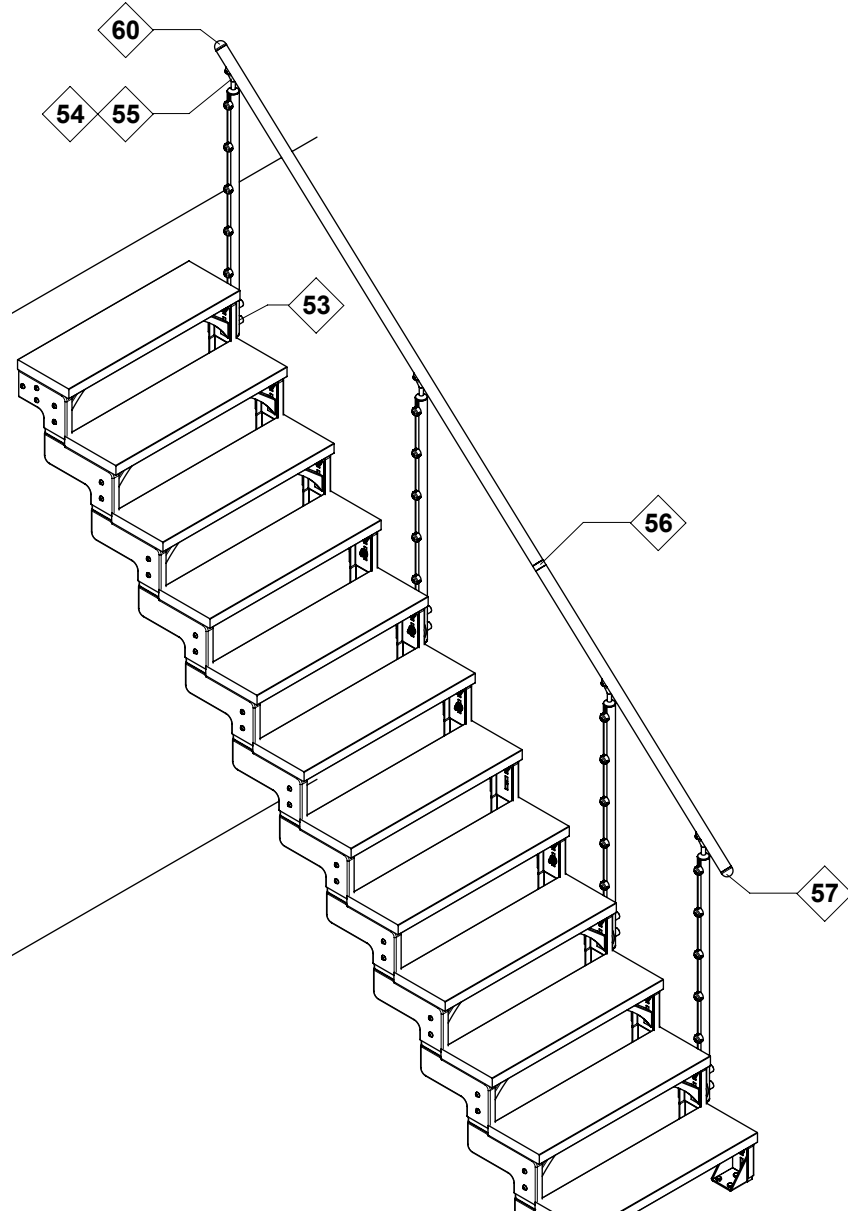
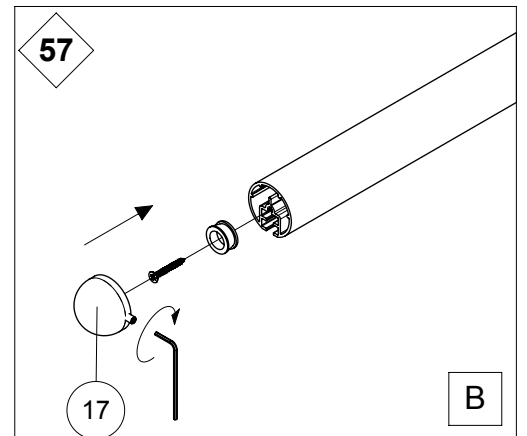
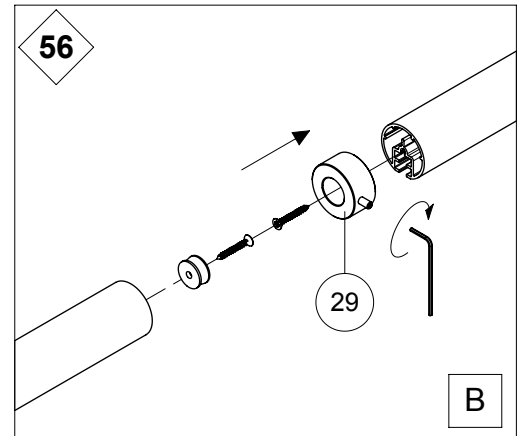
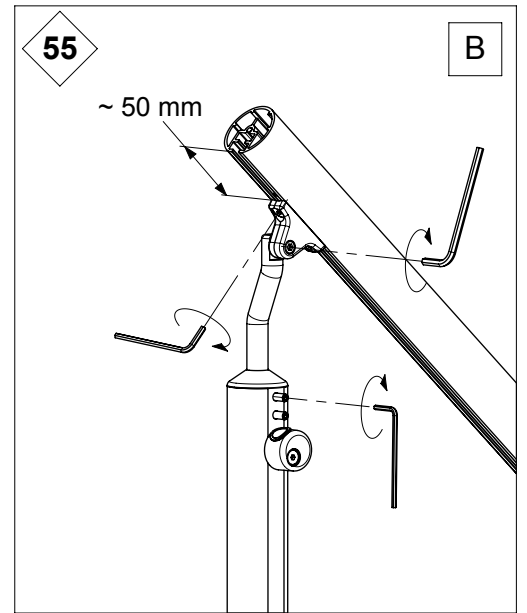
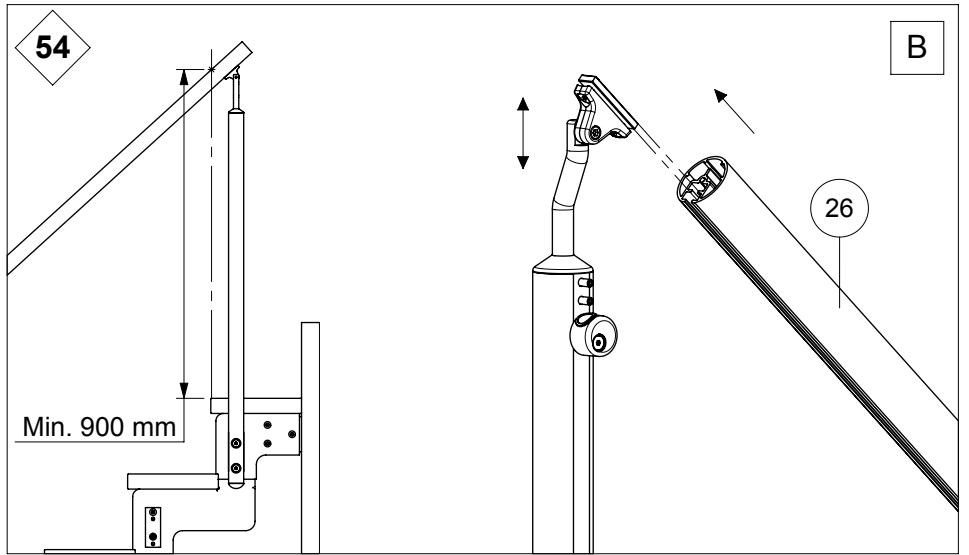
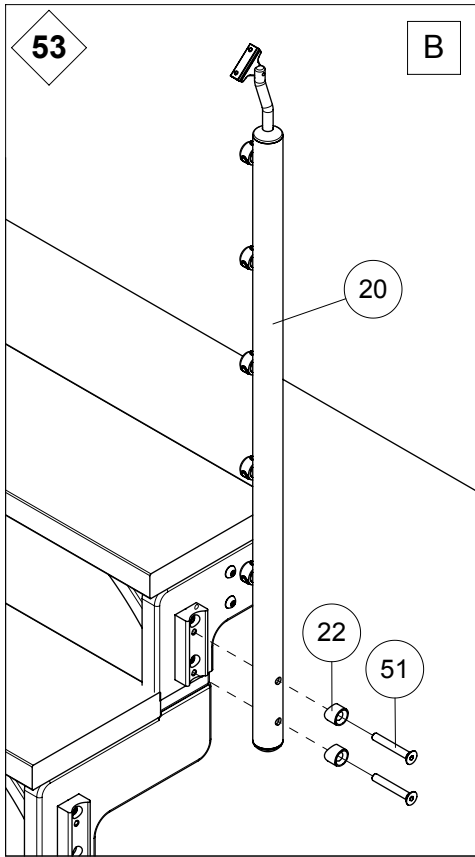


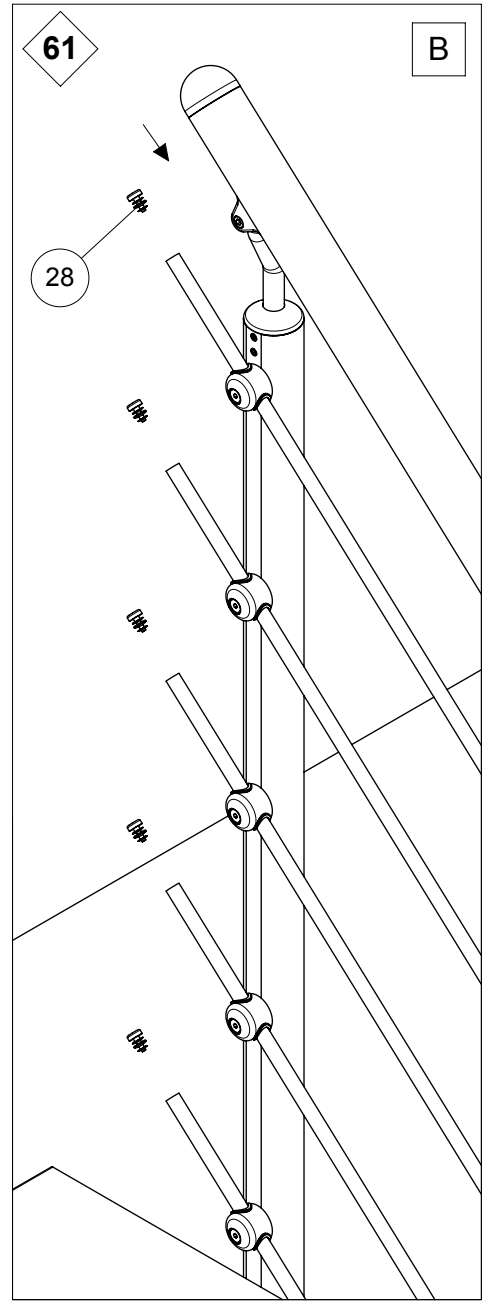
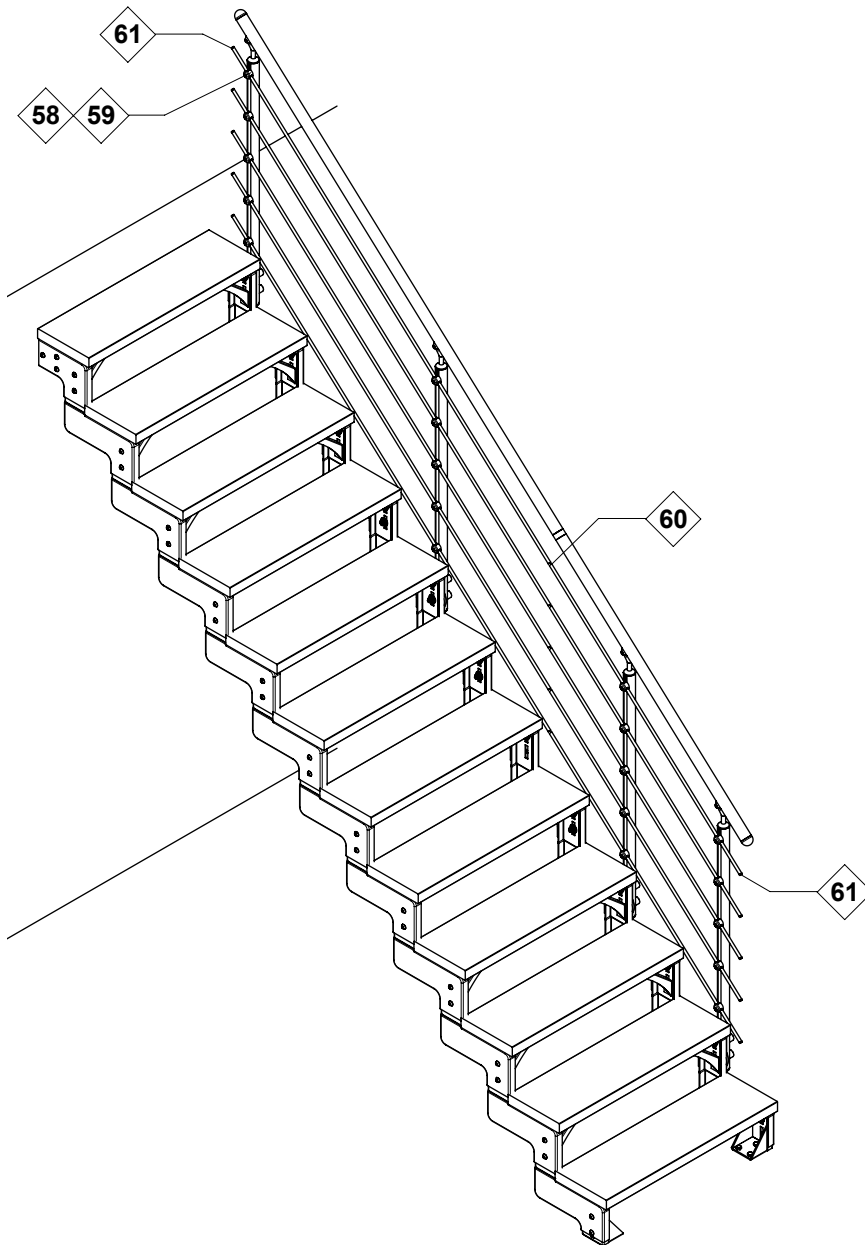
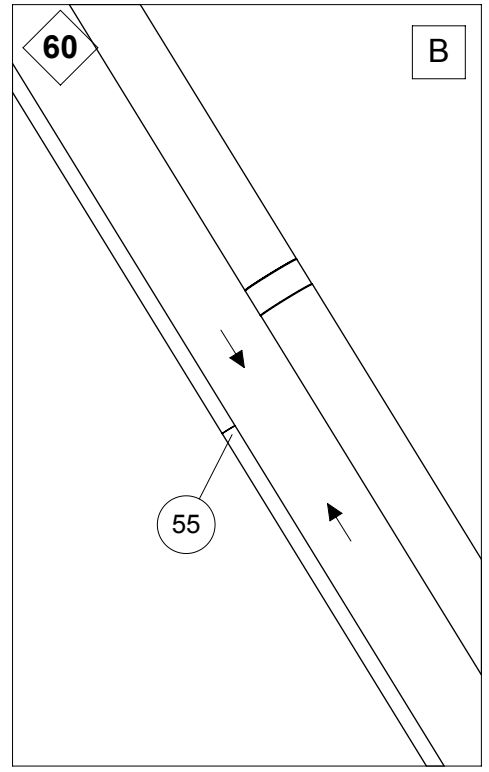
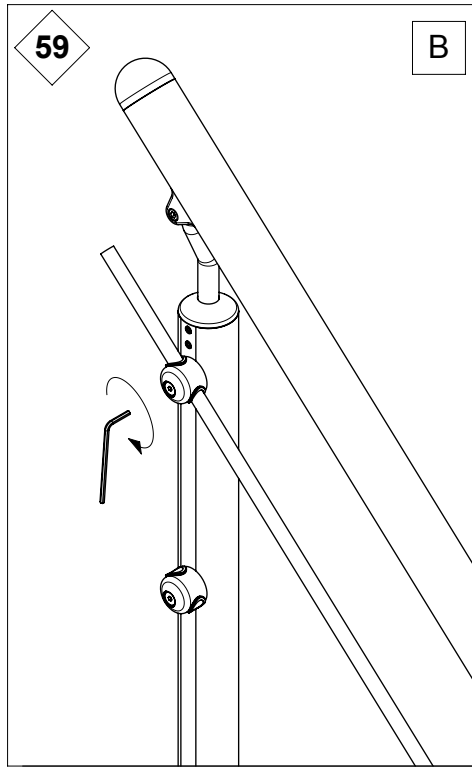
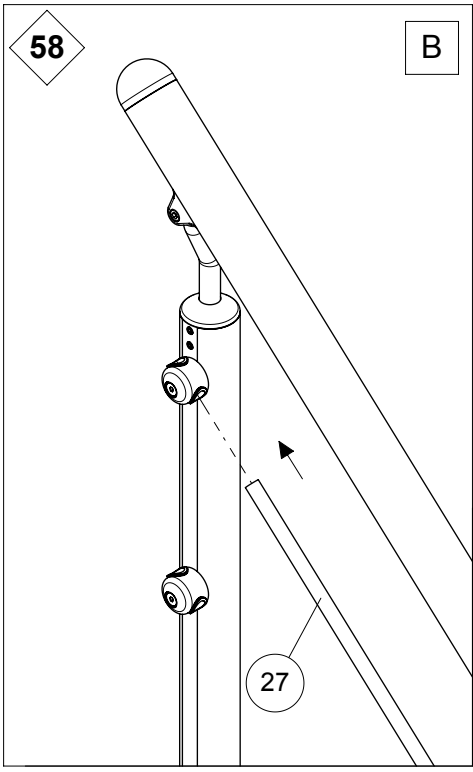
51

Ø 12mm ▽ 70mm



Ø 12mm ▽ 70mm

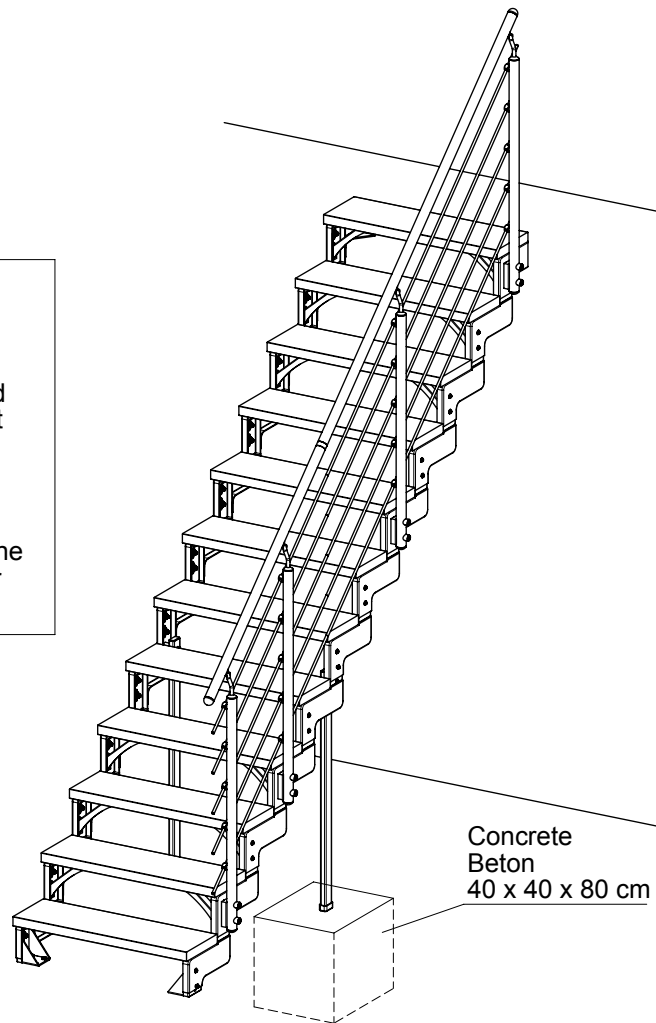






We recommend
using a support
column from 8
treads

Ab 8 Stufen
empfehlen wir eine
Abstützung der
Treppe



Concrete
Beton
40 x 40 x 80 cm