



# Safety Instructions



6, 7, 8, 9, 11, 18, 20, 22

Info Hotline



+49 (0) 5041 998 389

Mon. - Do. 7<sup>00</sup> - 20<sup>00</sup>

Fr. 7<sup>00</sup> - 17<sup>00</sup>

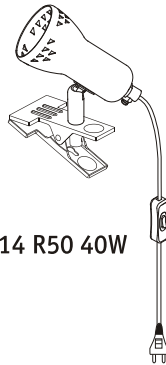


Paulmann Licht GmbH  
31832 Springe / Germany  
www.paulmann.com

Art.-Nr.:  
**99825**

(+MA 173)

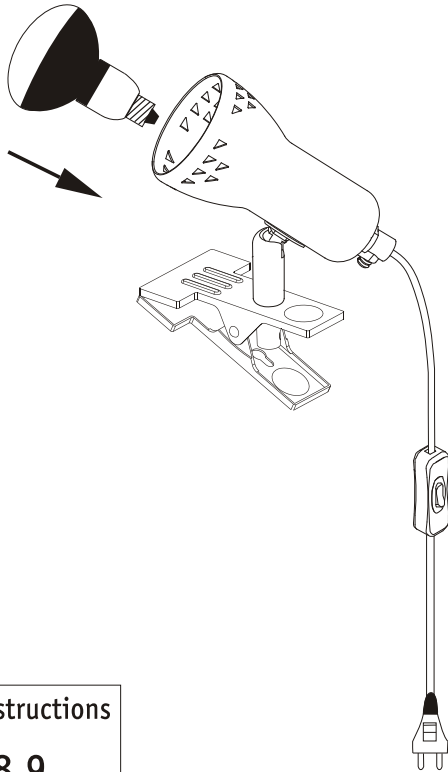
PEA 08/12



E14 R50 40W

1X

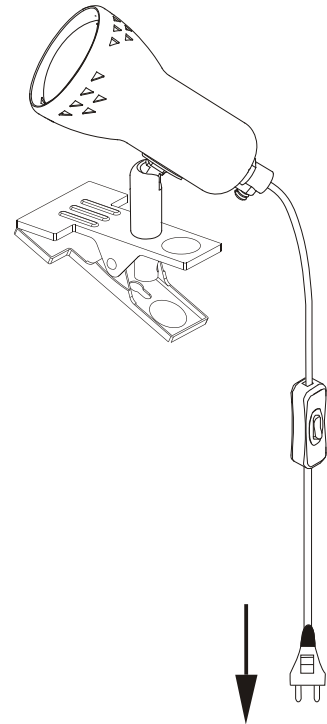
A



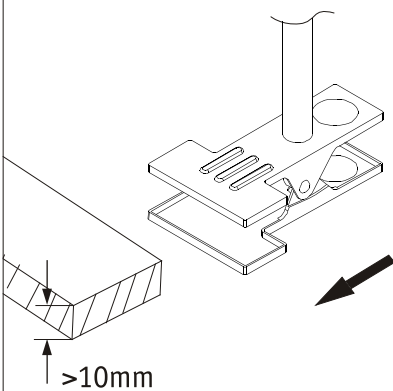
Safety Instructions

Nr. 7, 8, 9

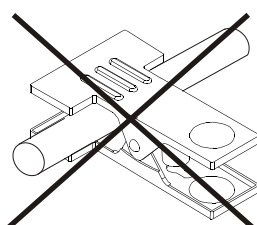
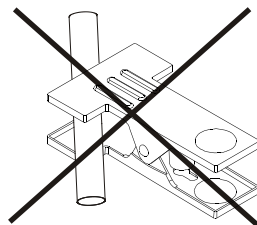
B



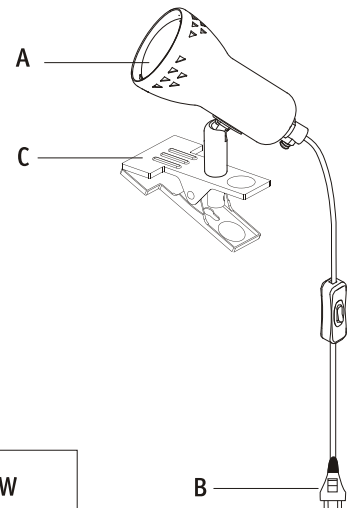
C



>10mm



D



E14 R50 40W

Art.-Nr.:200.01