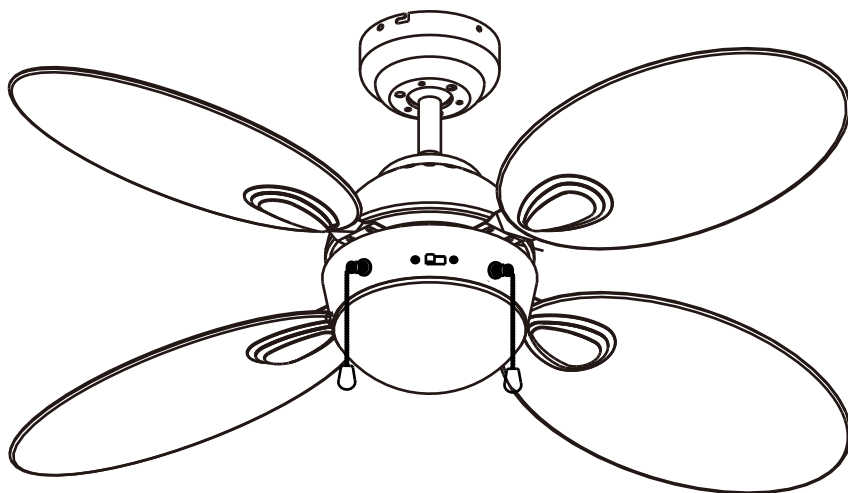


GLOBO

FAN

0318

www.globo-lighting.com

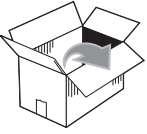


GLOBO Handels GmbH

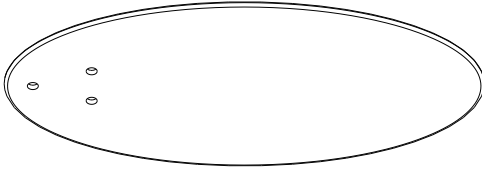
St. Peter 38

A-9184 St.Jakob/Rosental

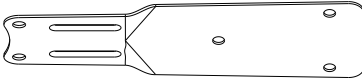




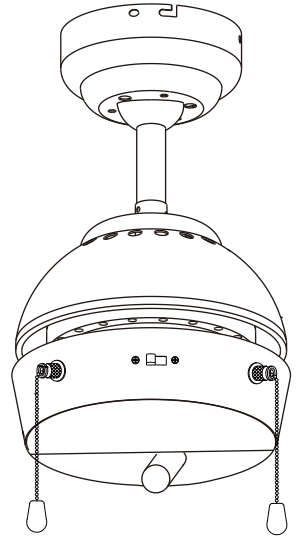
C x4



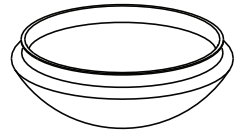
D x4



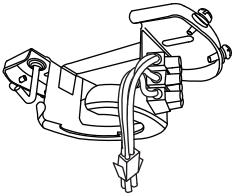
B



E x1



A



F x4



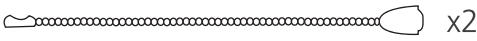
N

3 GM x4

M

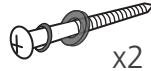
x1

G



x2

H

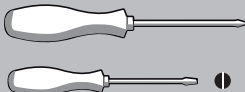
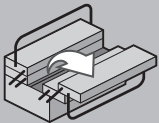


x2

J

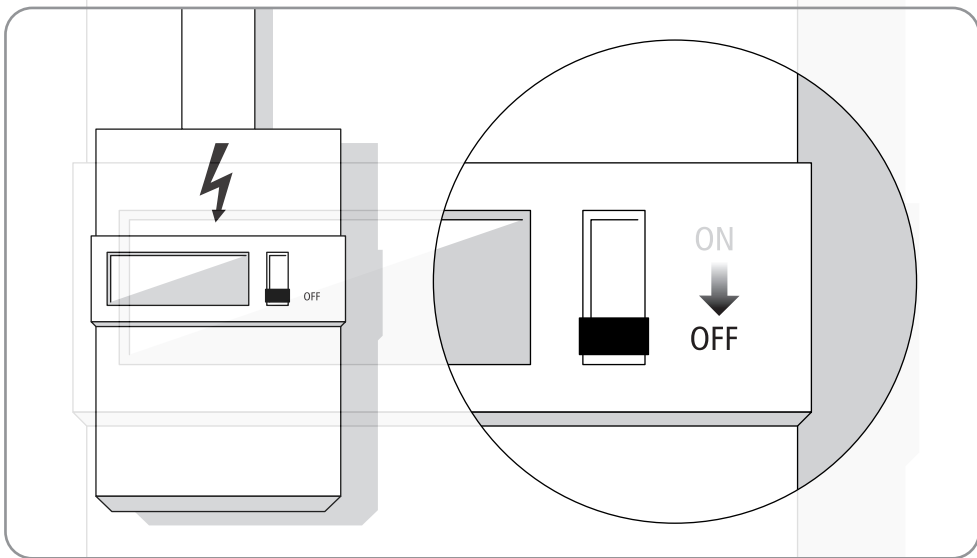
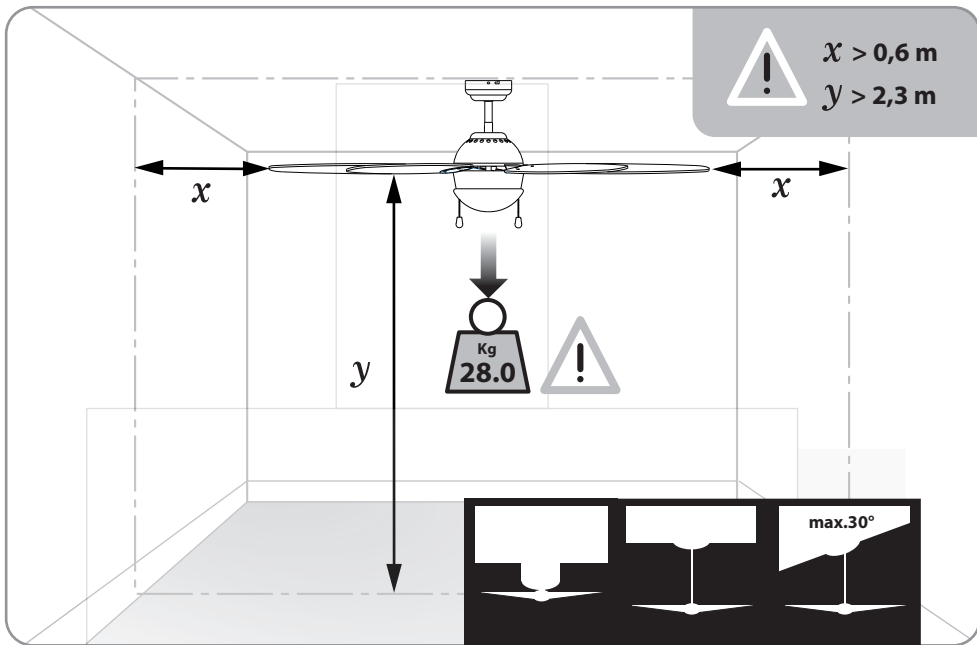


x12

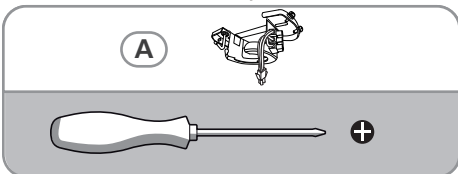
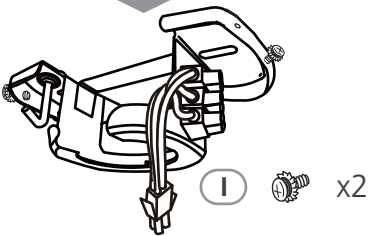
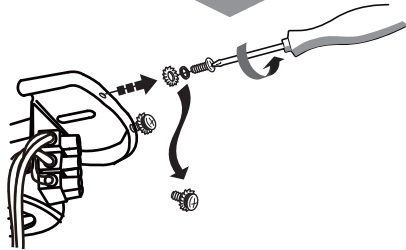
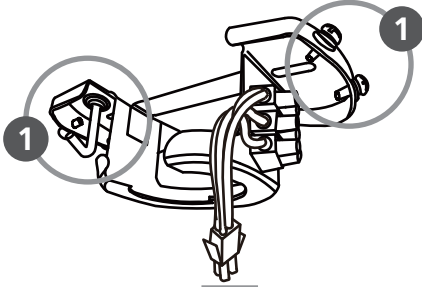


E 14

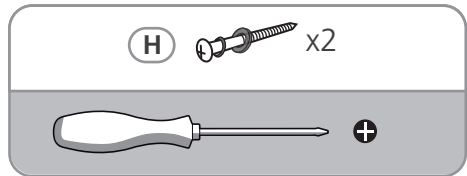
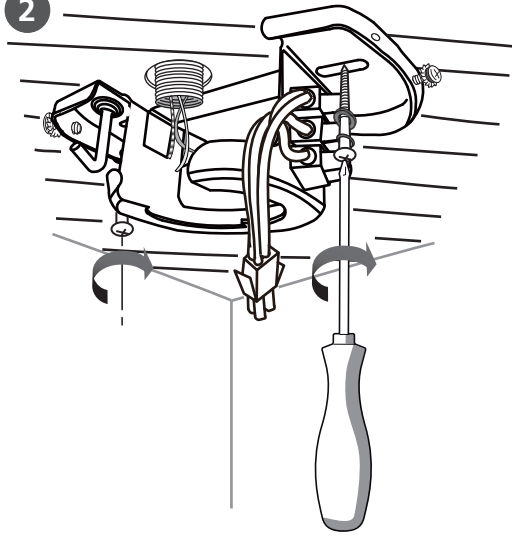




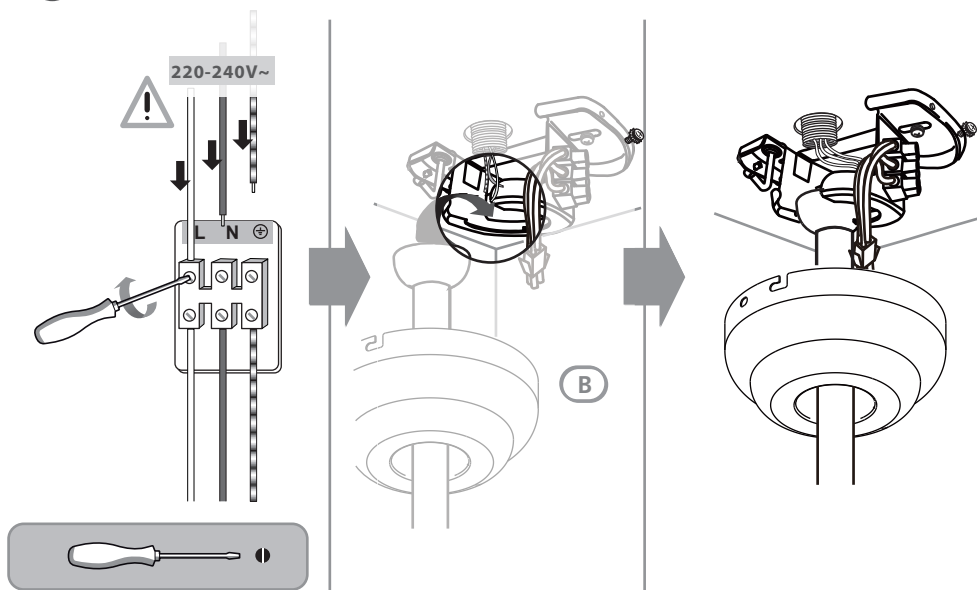
1



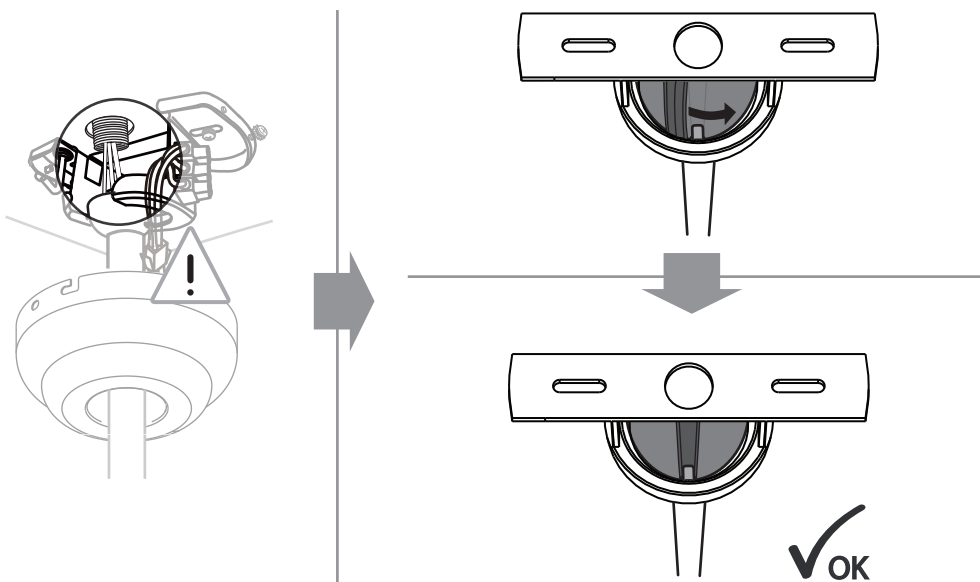
2



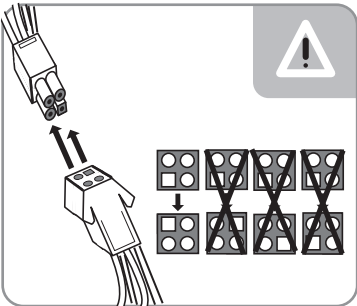
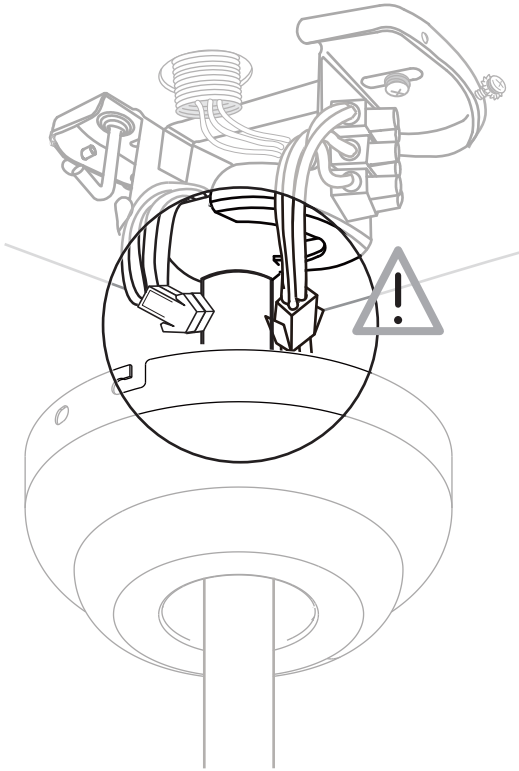
3



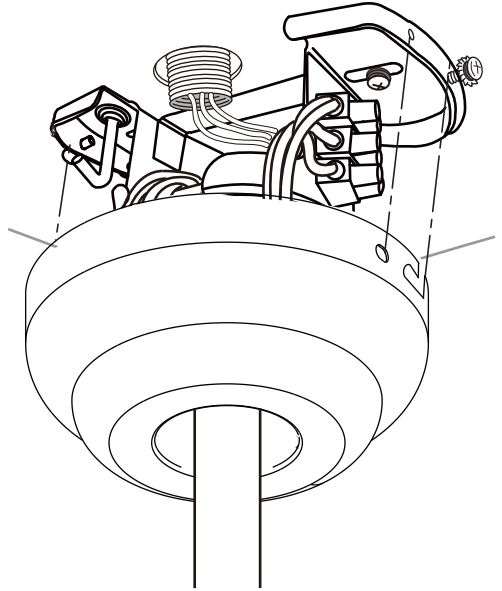
4



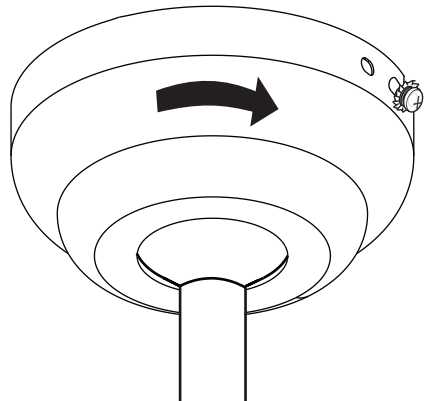
5

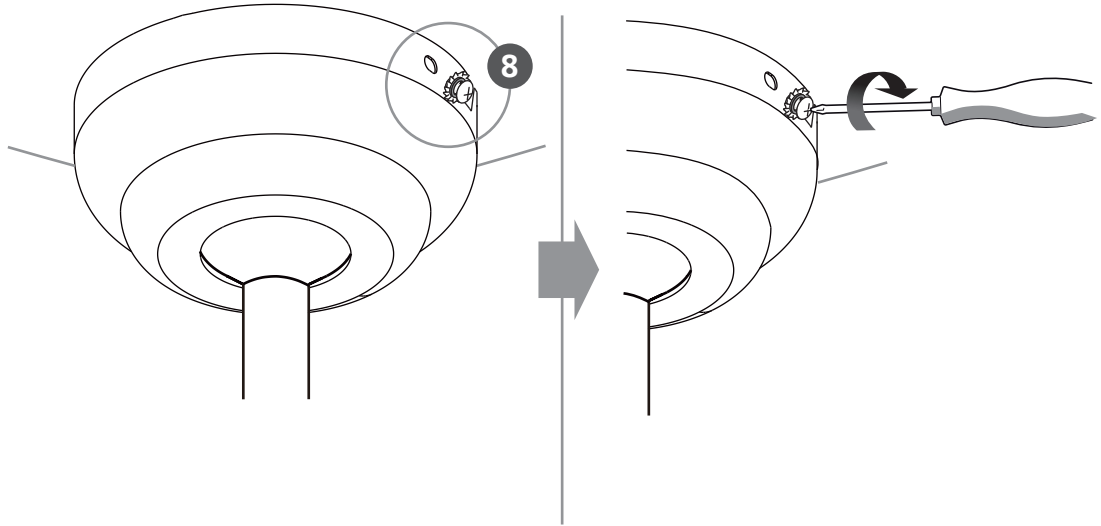


6

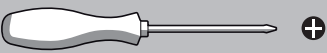
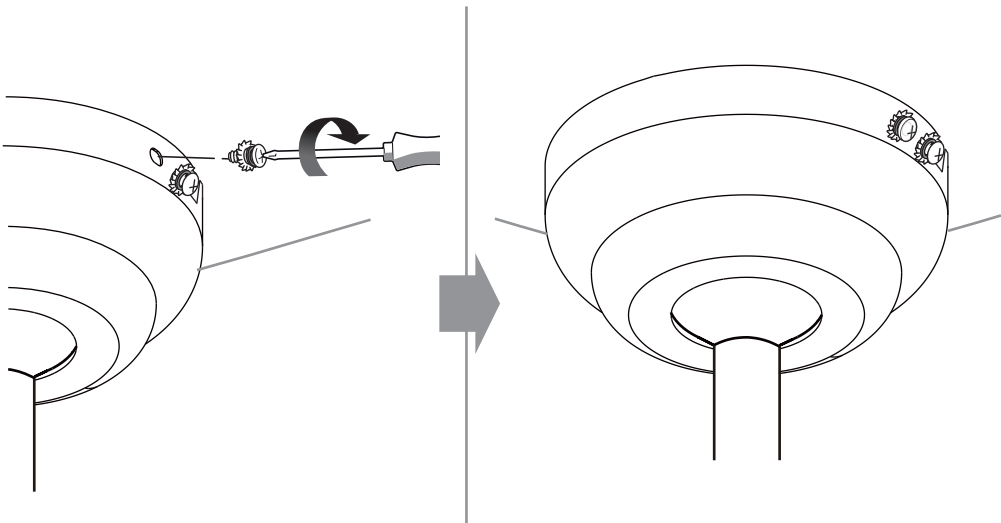


7

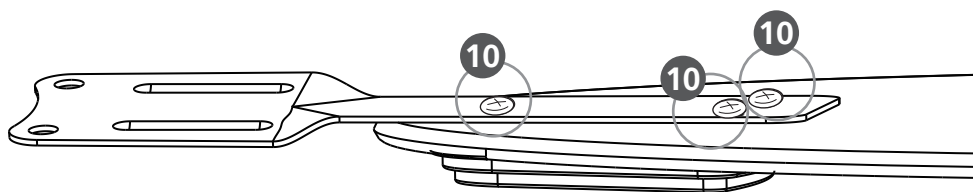
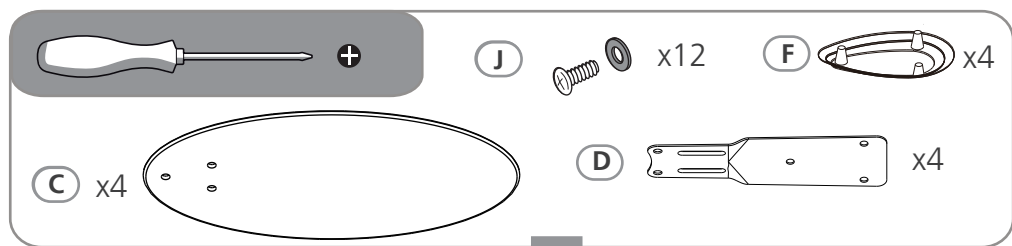
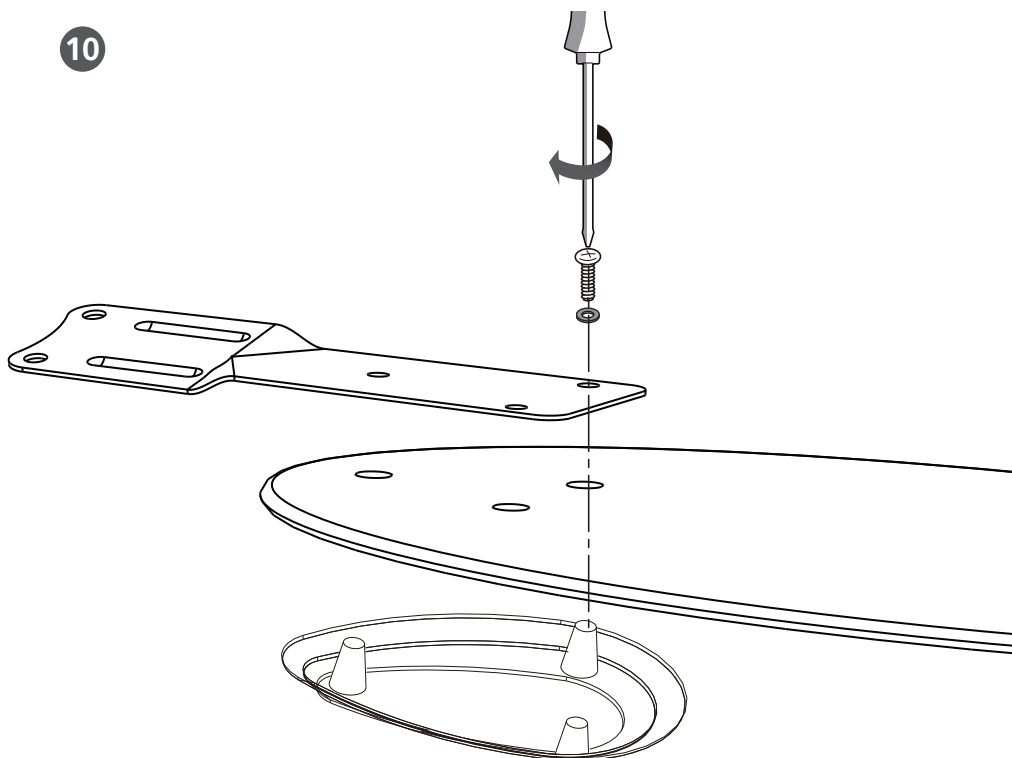




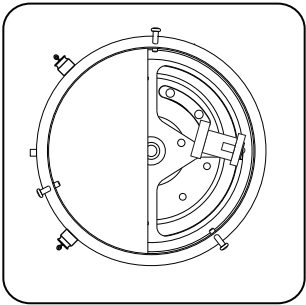
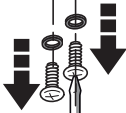
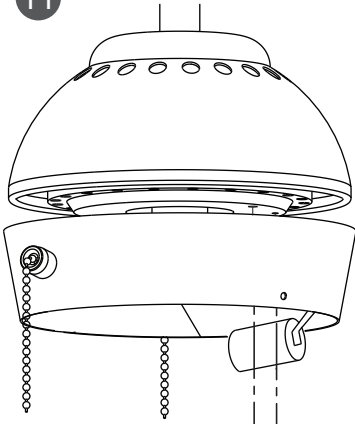
9



10

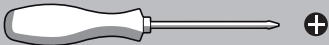
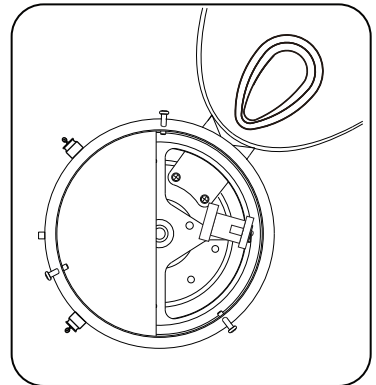
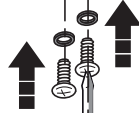
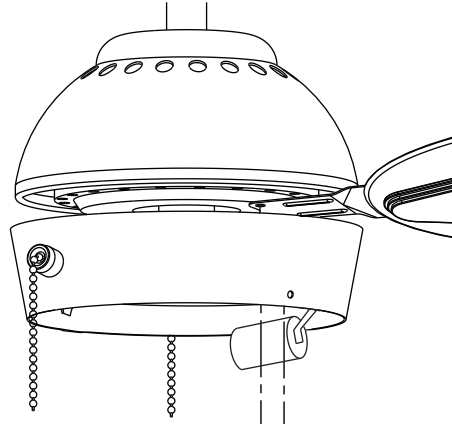


11

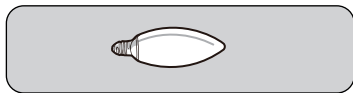
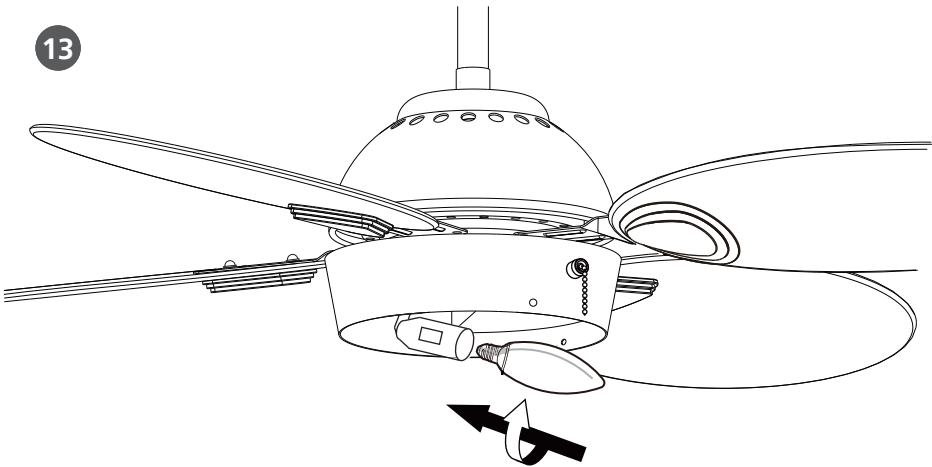


(K)  x 8

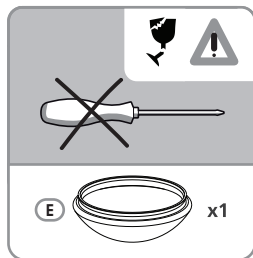
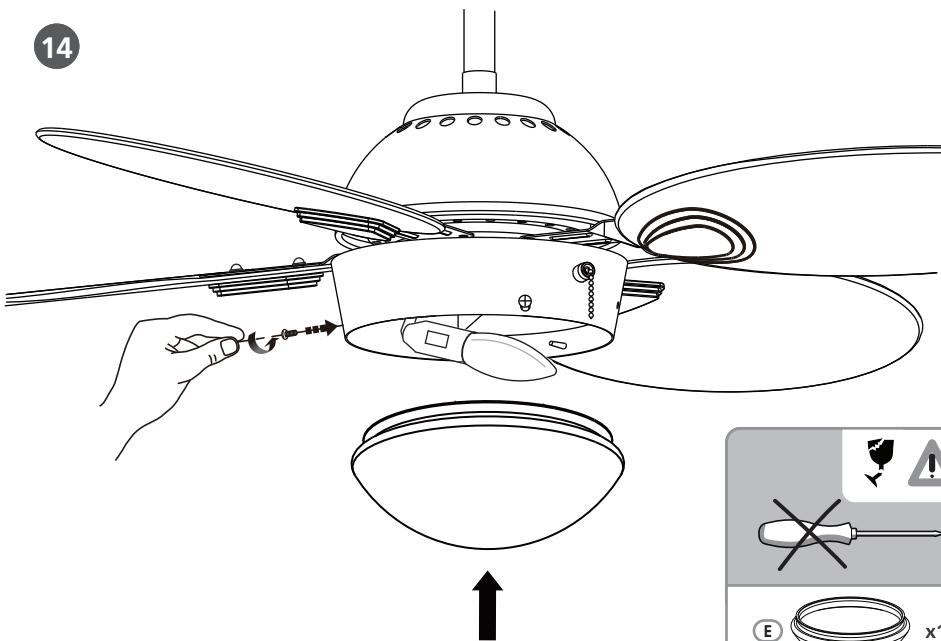
12

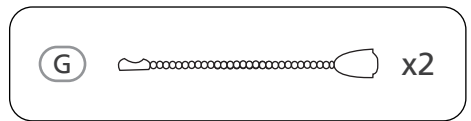
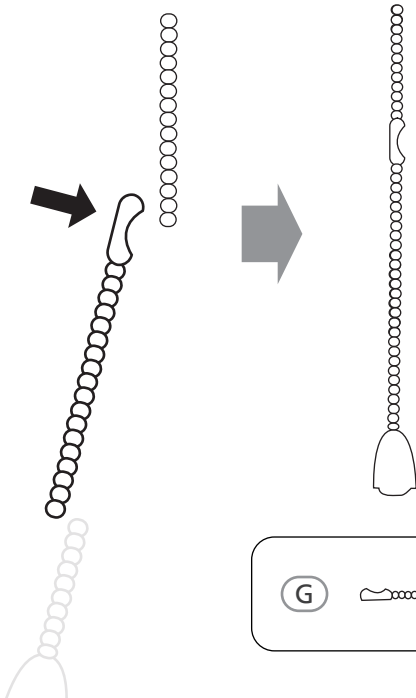
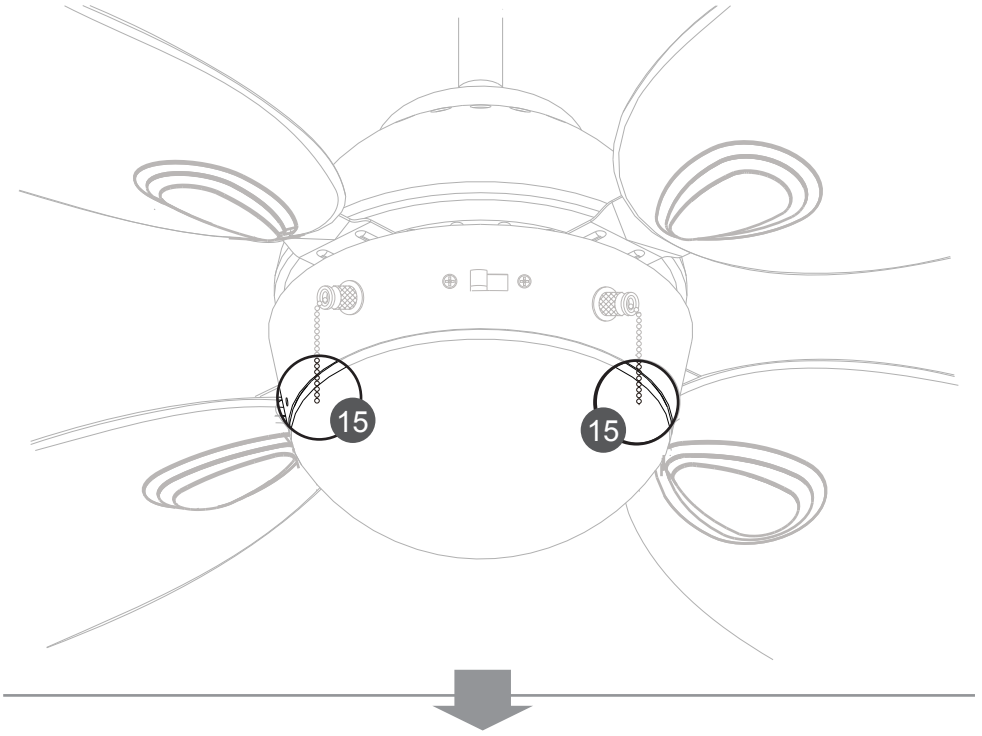


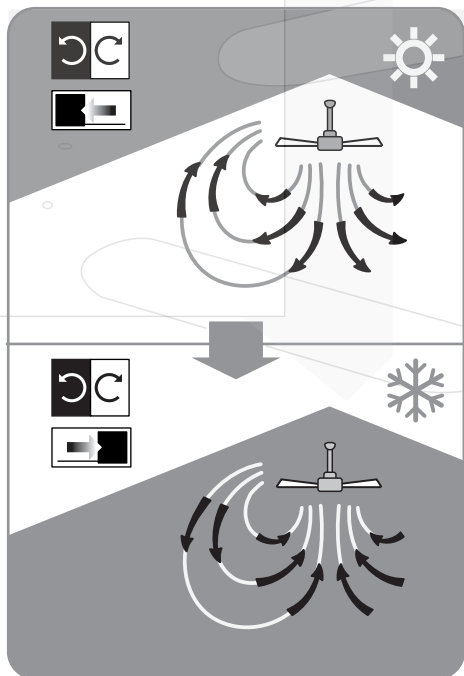
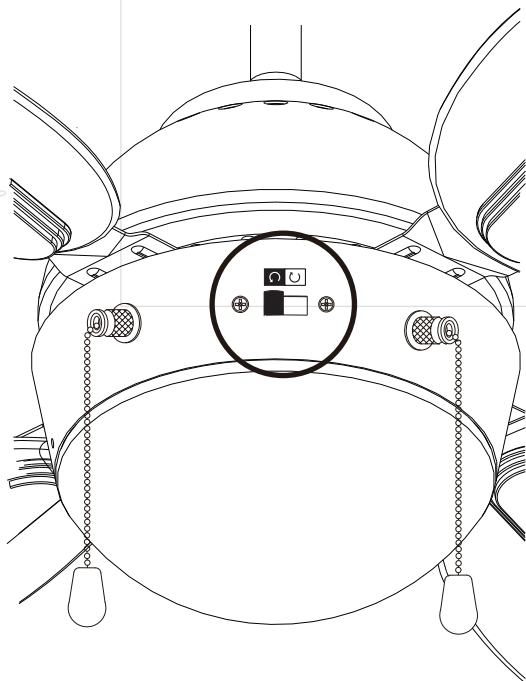
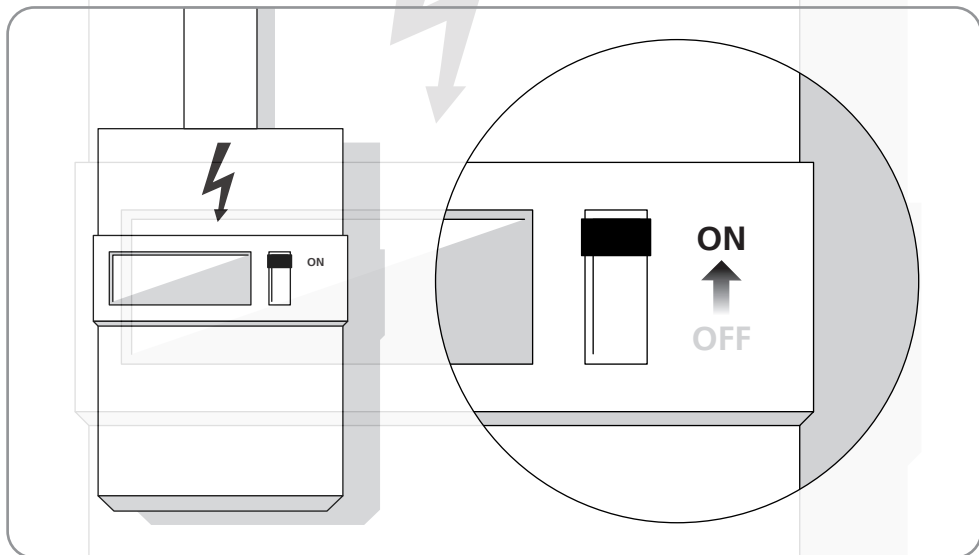
13

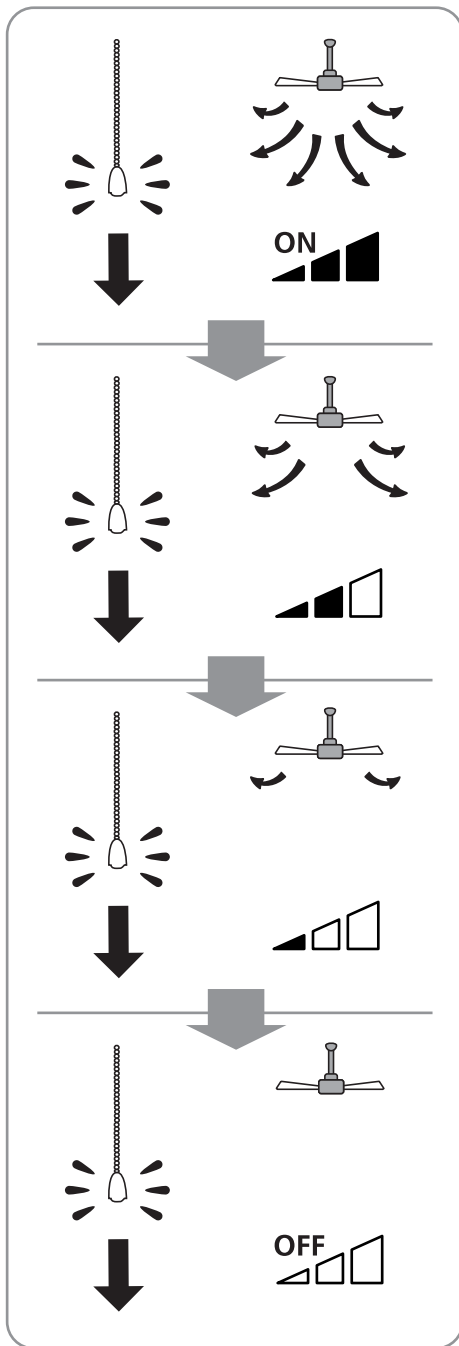
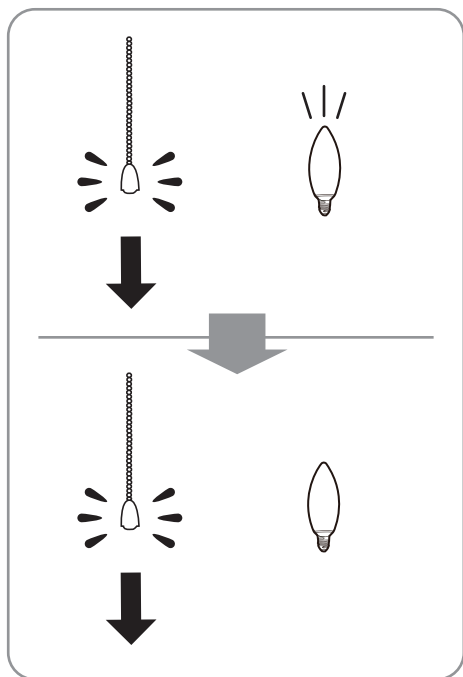
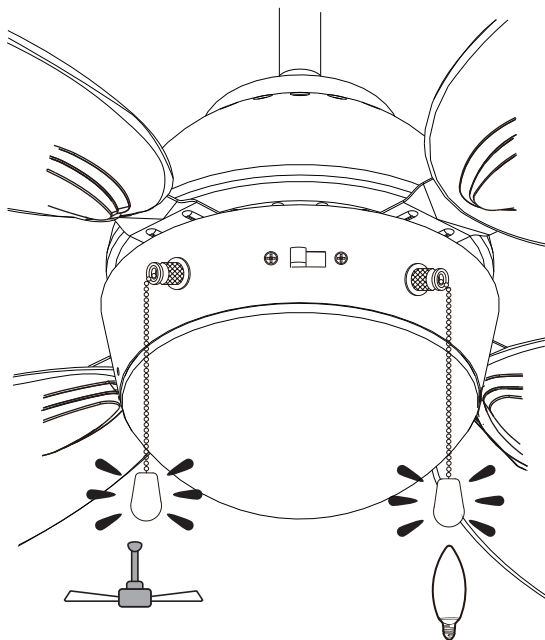


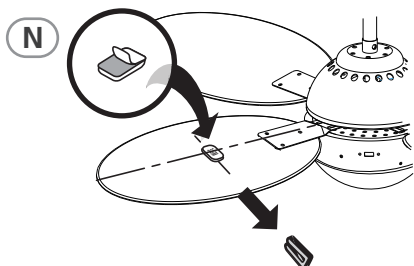
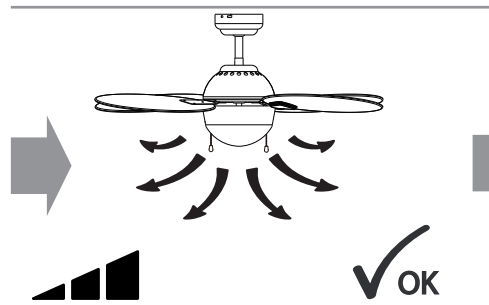
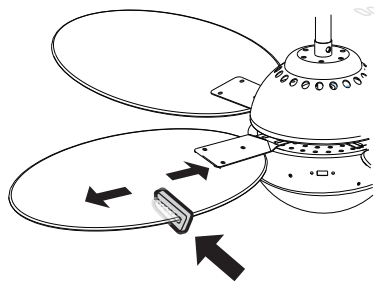
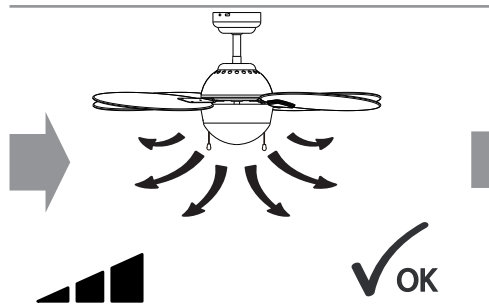
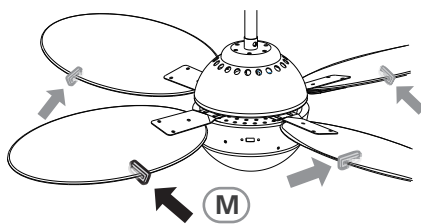
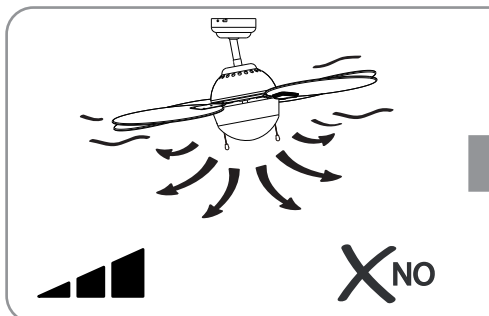
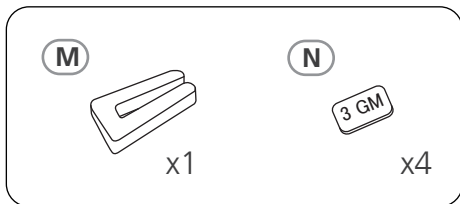
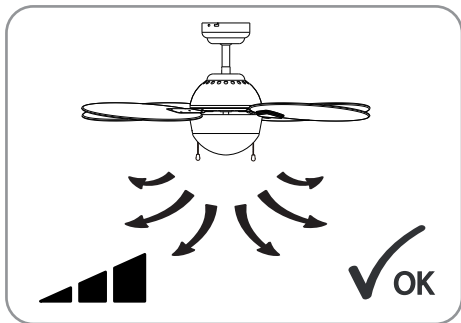
14









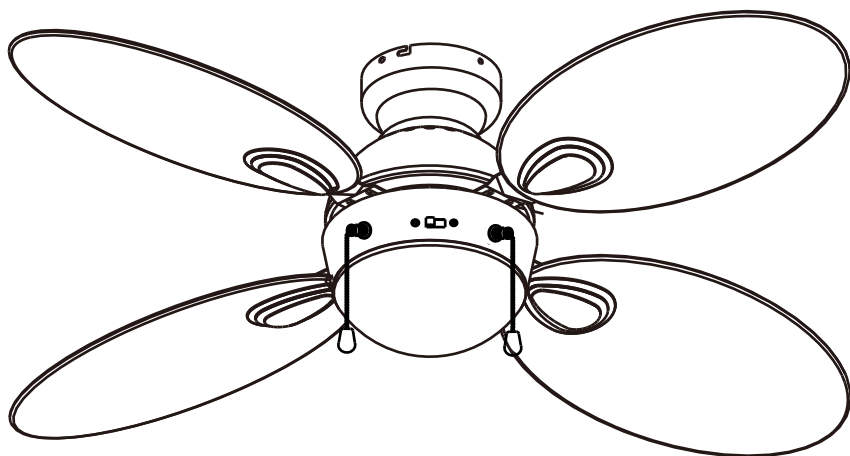


GLOBO

FAN

0318

www.globo-lighting.com

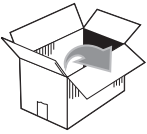


GLOBO Handels GmbH

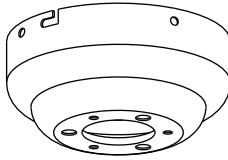
St. Peter 38

A-9184 St.Jakob/Rosental

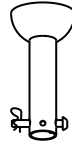




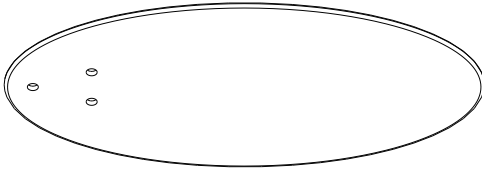
O



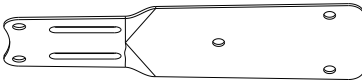
P



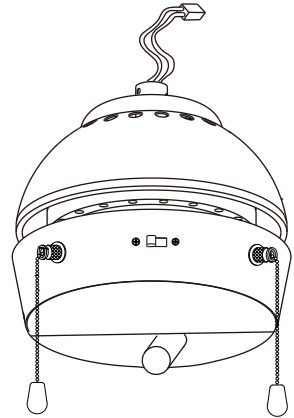
C x4



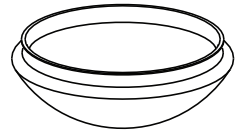
D x4



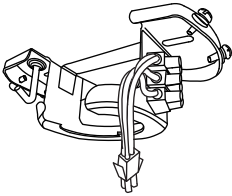
B



E



A



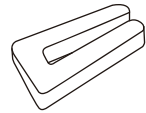
F x4



N

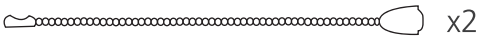
3 GM x4

M



x1

G



x2

H

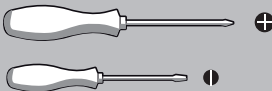
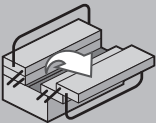


x2

J

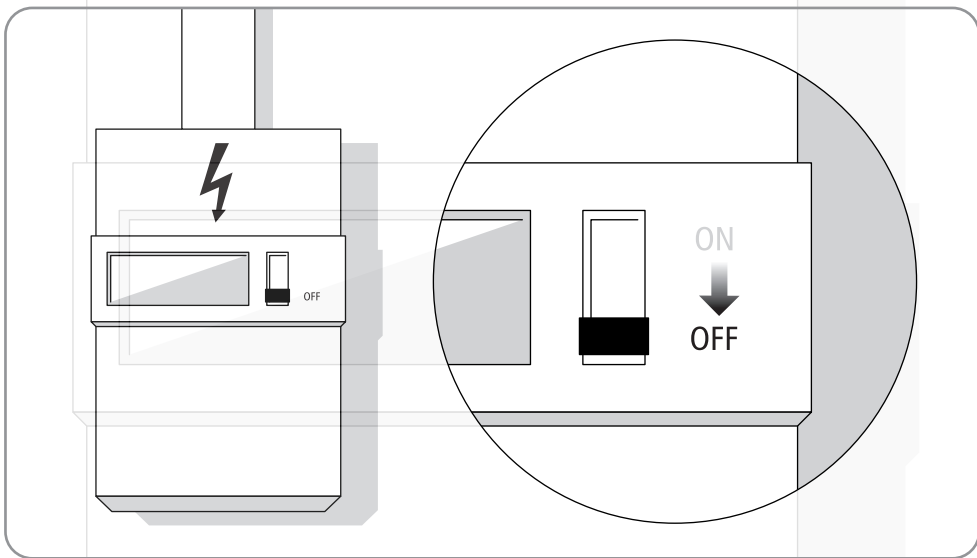
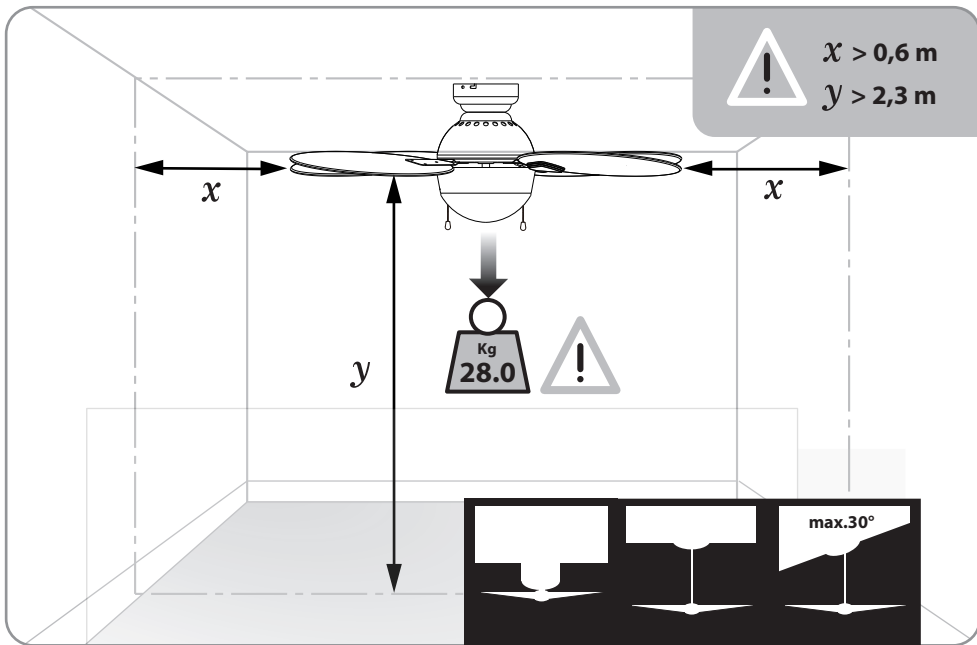


x12

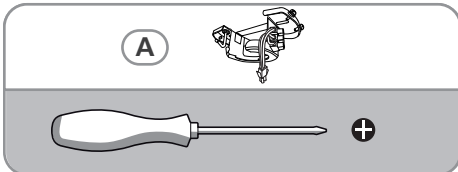
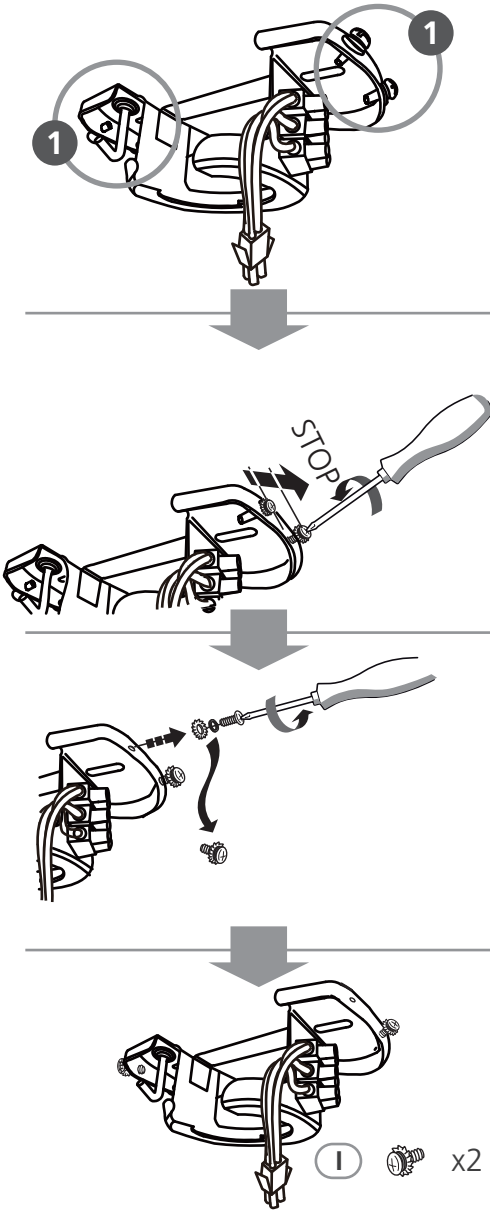


E 14

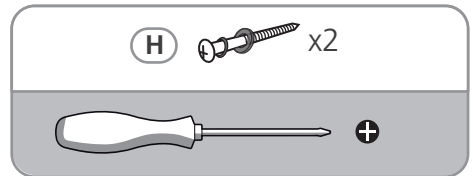
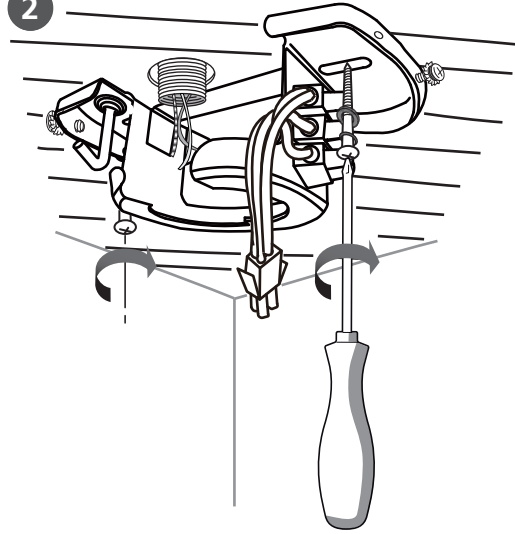




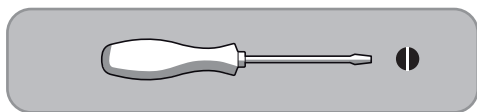
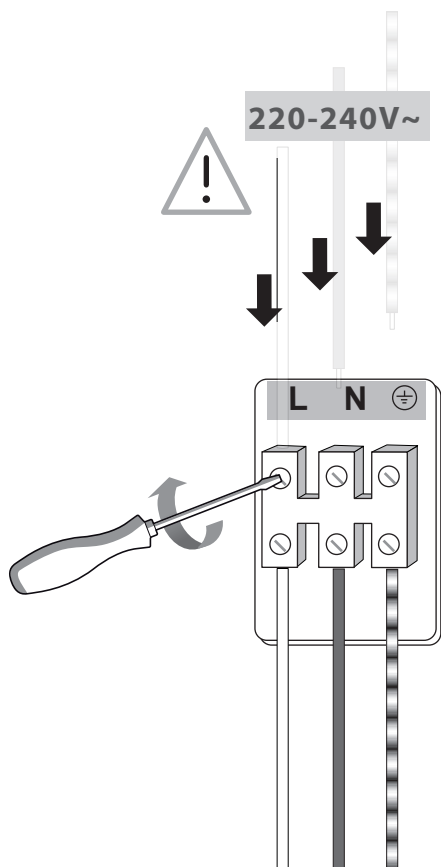
1



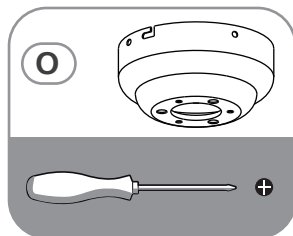
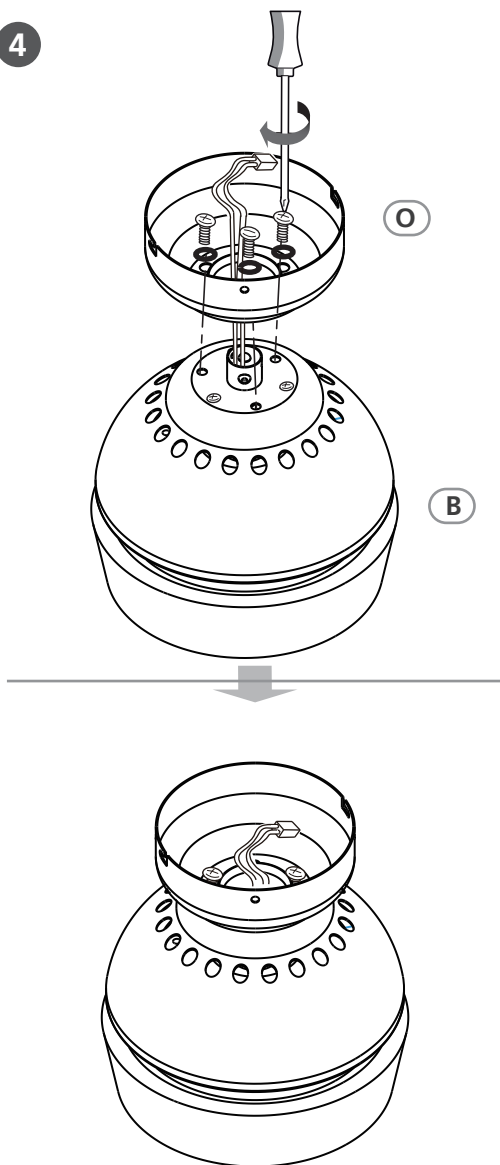
2



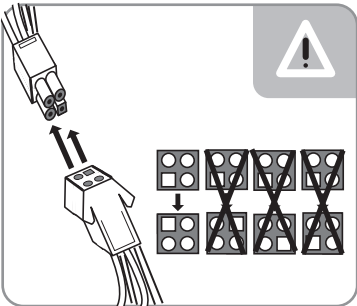
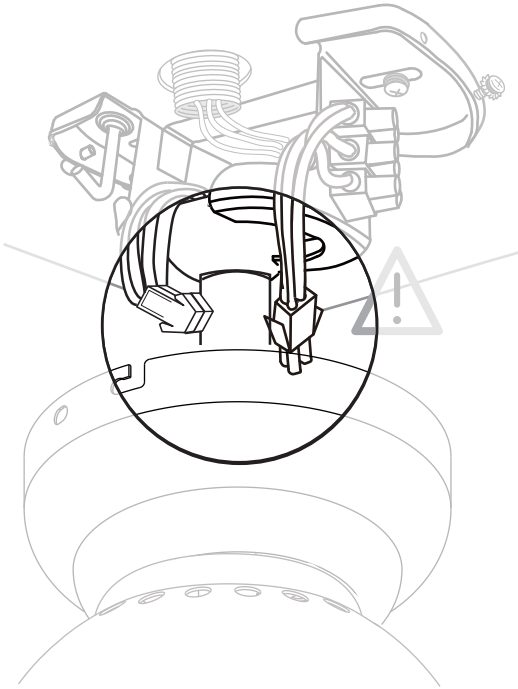
3



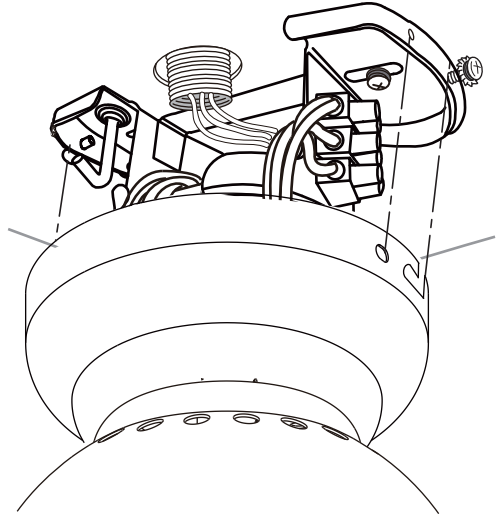
4



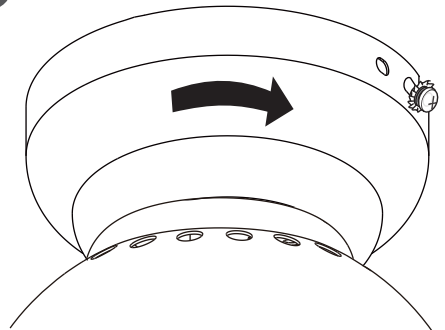
5

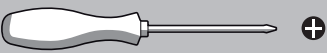
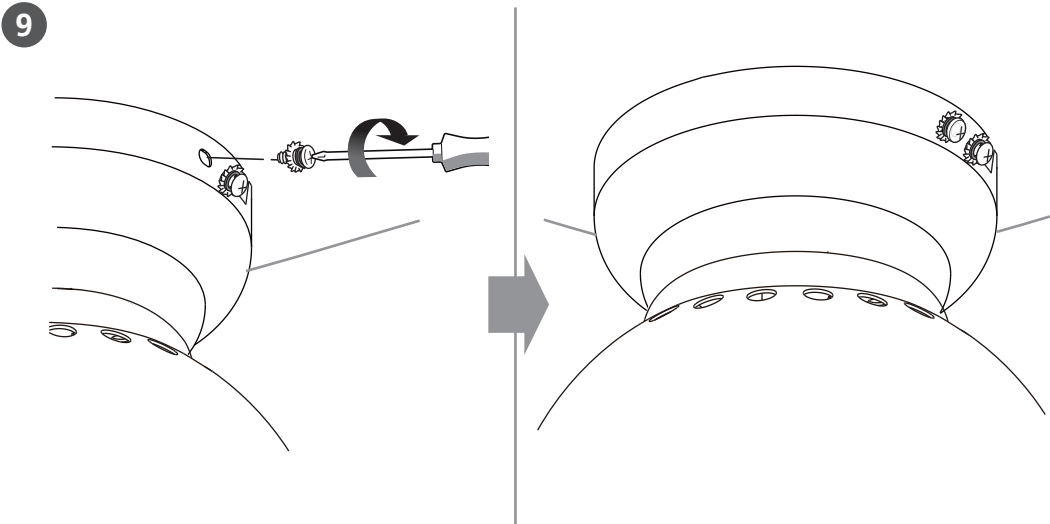
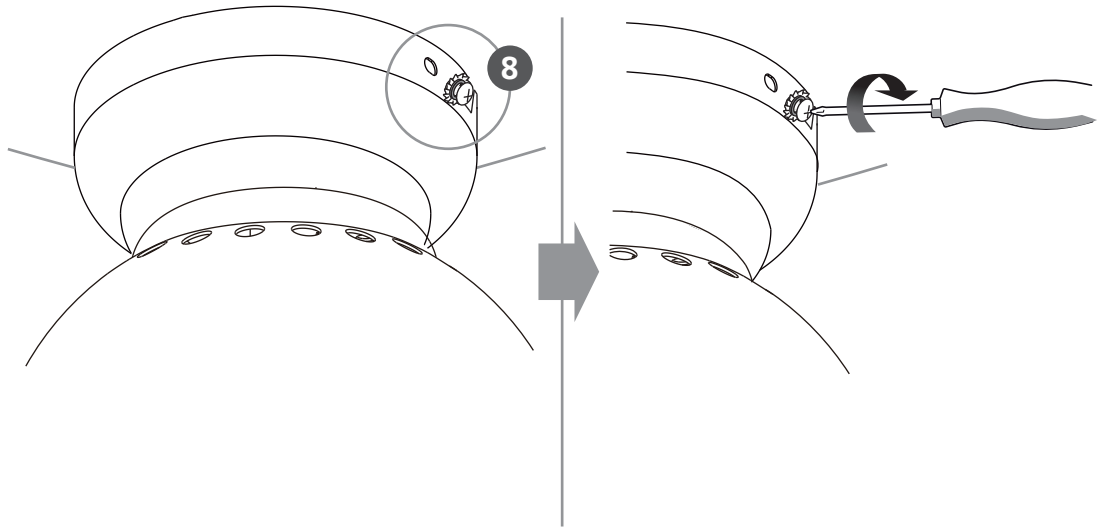


6

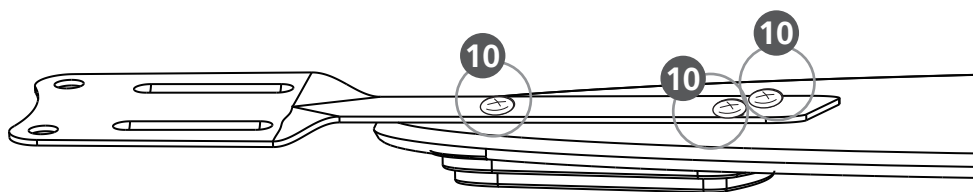
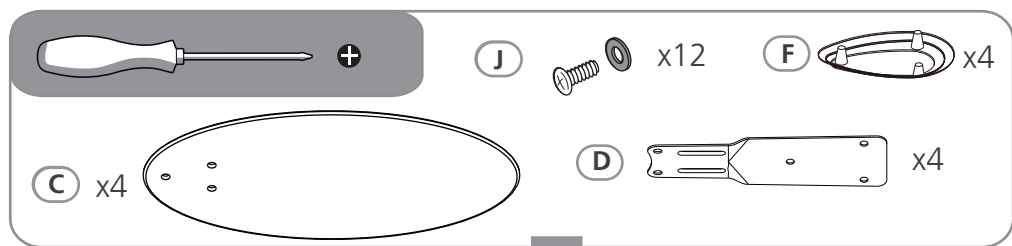
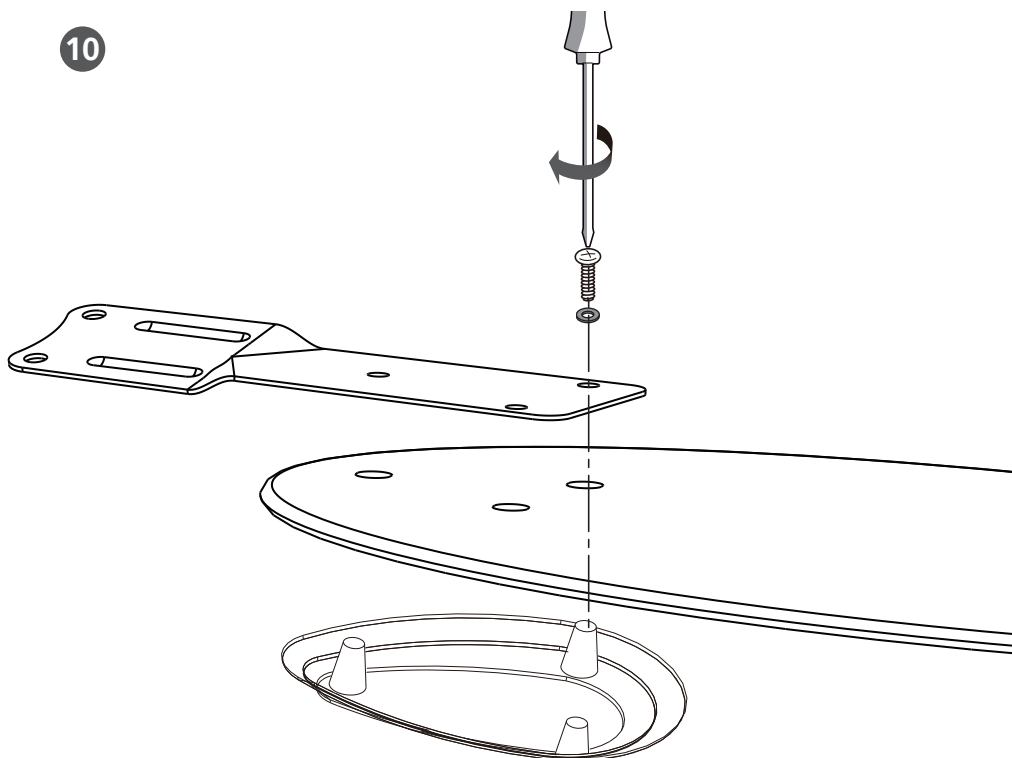


7

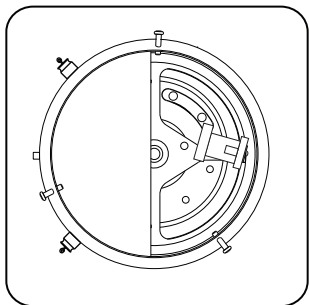
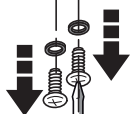
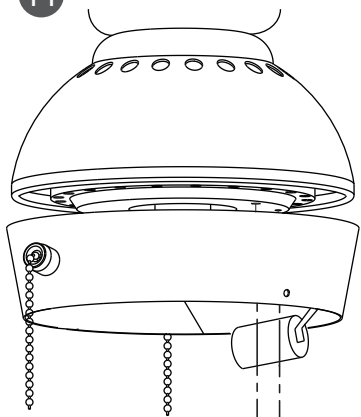




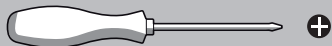
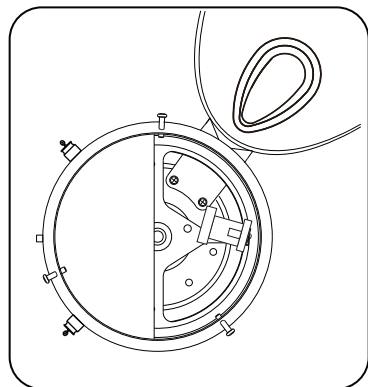
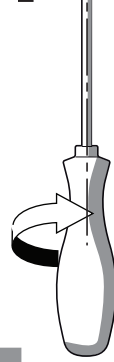
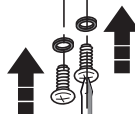
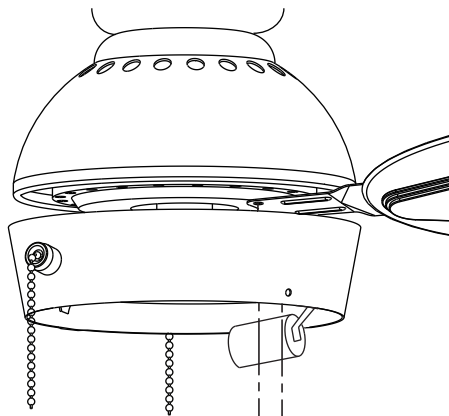
10



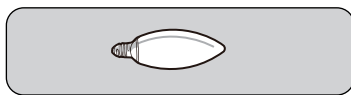
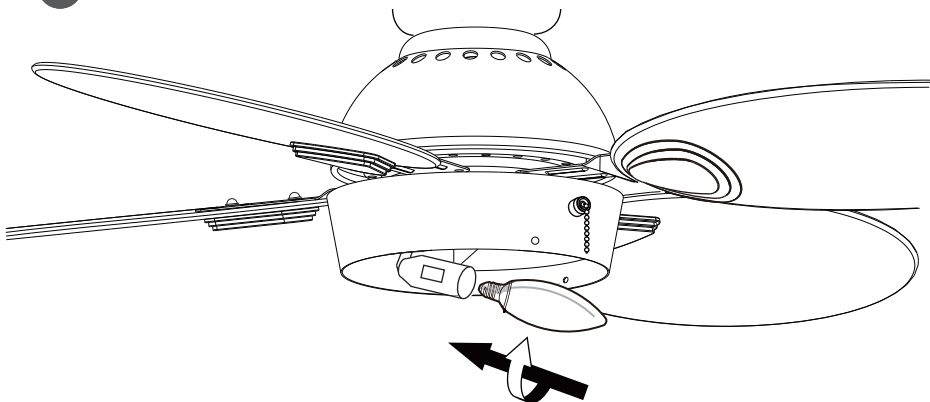
11

**(K)** x 8

12



13



14

