

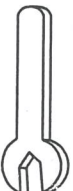


No.	Part Diagram	Part Size	QTY
1		$\phi 22 \times \phi 8 \times 2$	4
2		M8*50	4
3			1

ITEM NO: S-914F