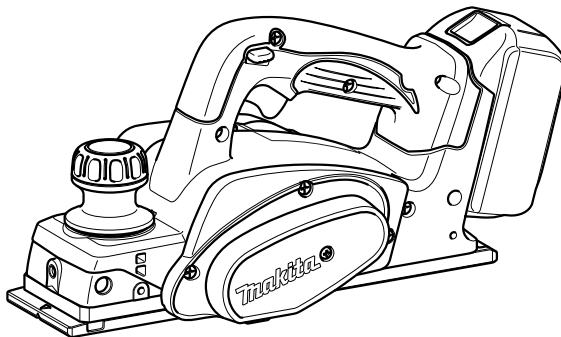




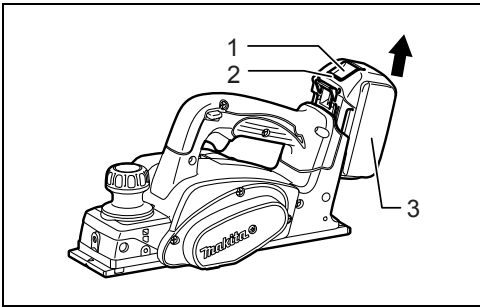
GB	Cordless Planer	Instruction manual
F	Rabot sans Fil	Manuel d'instructions
D	Akku-Hobel	Betriebsanleitung
I	Piallatrice a batteria	Istruzioni per l'uso
NL	Accuschaaf	Gebruiksaanwijzing
E	Cepillo Inalámbrico	Manual de instrucciones
P	Plaina a Bateria	Manual de instruções
DK	Batteridrevet høvl	Brugsanvisning
GR	Πλάνη μπαταρίας	Οδηγίες χρήσης

DKP140
DKP180



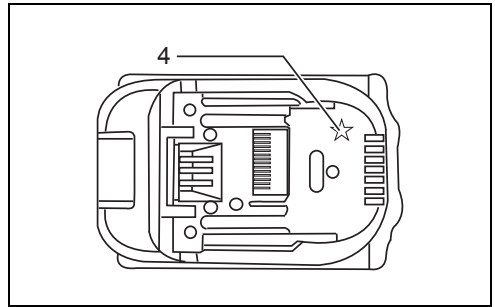
011751





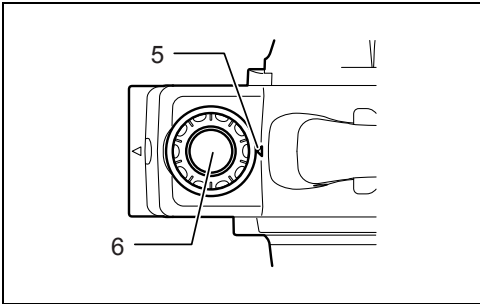
1

011755



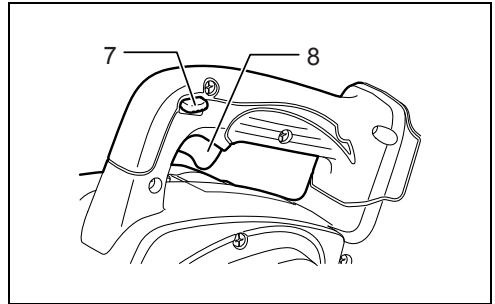
2

011389



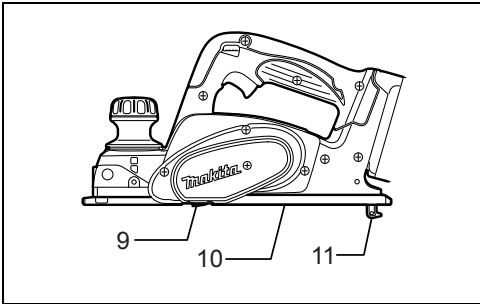
3

011737



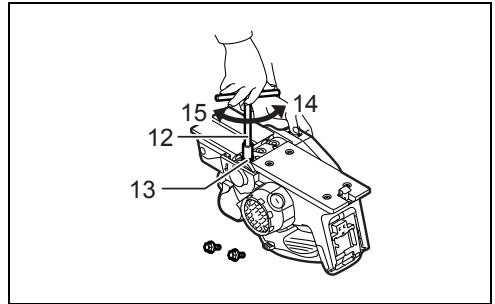
4

011738



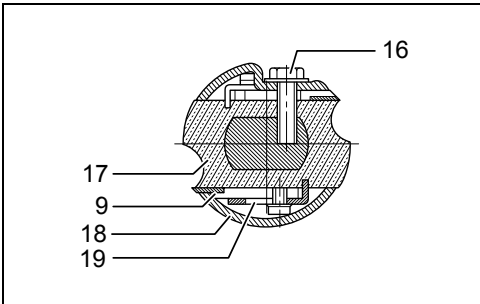
5

011739



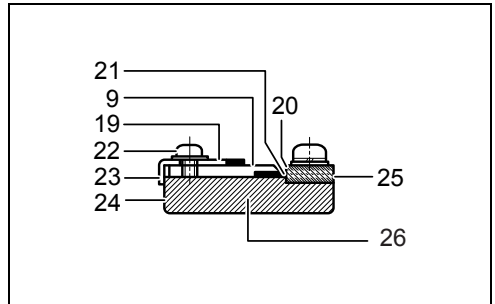
6

011740



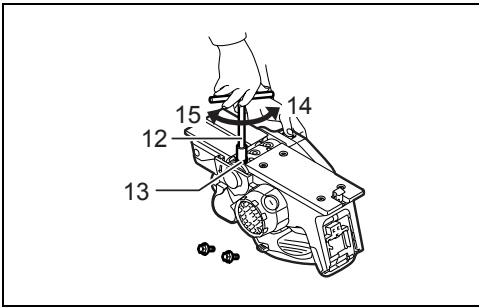
7

002555



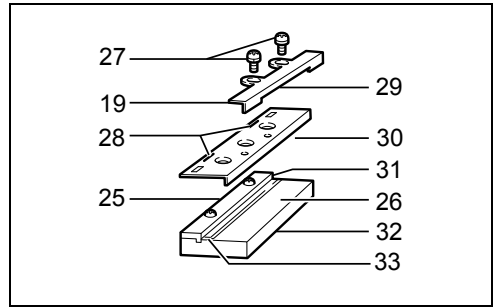
8

002556



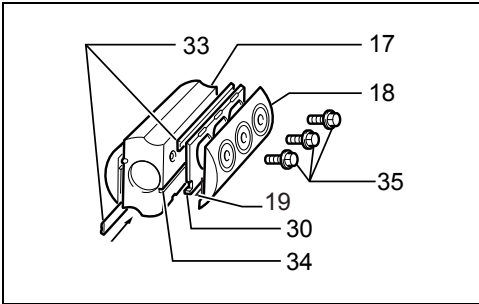
9

011740



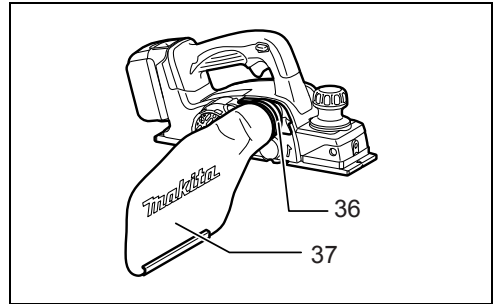
10

002565



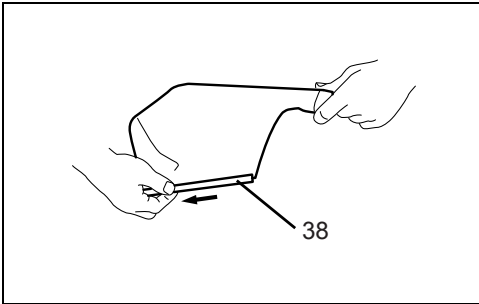
11

002566



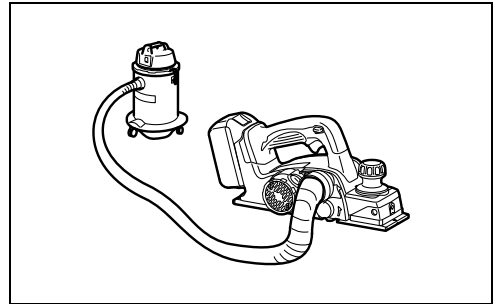
12

011741



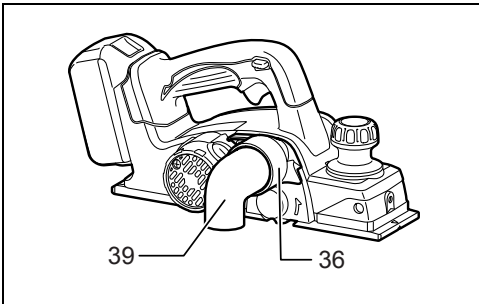
13

007802



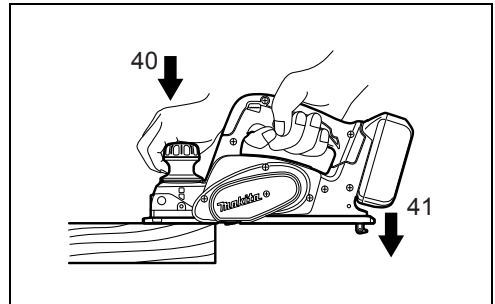
14

011757



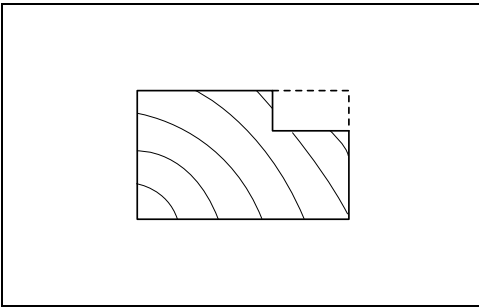
15

011758



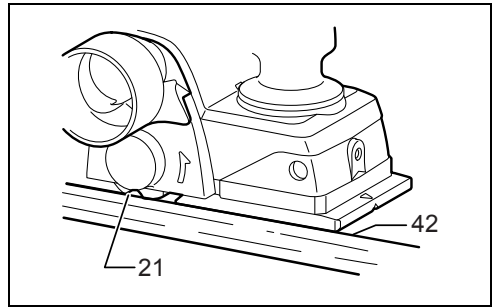
16

011759



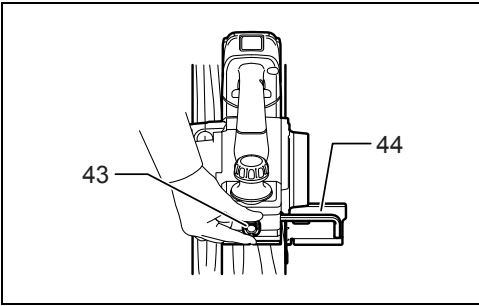
17

002580



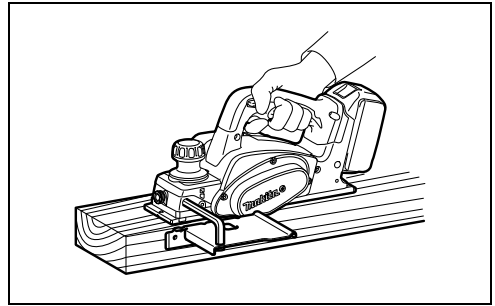
18

011752



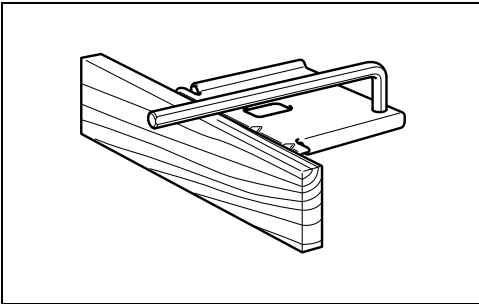
19

011760



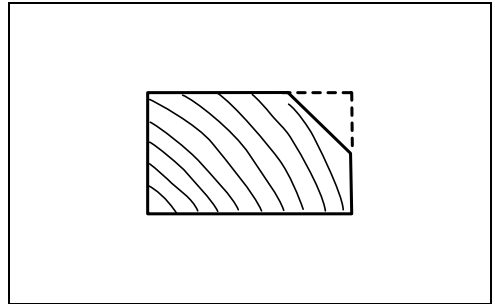
20

011761



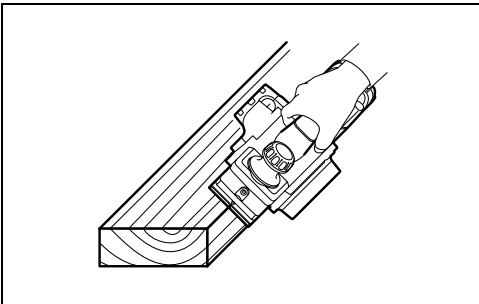
21

010183



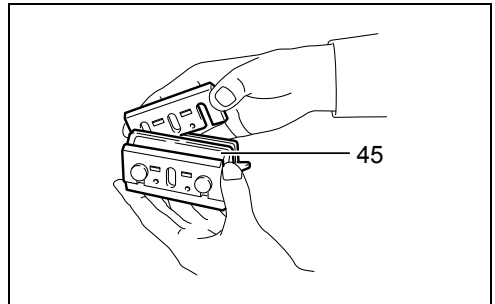
22

003634



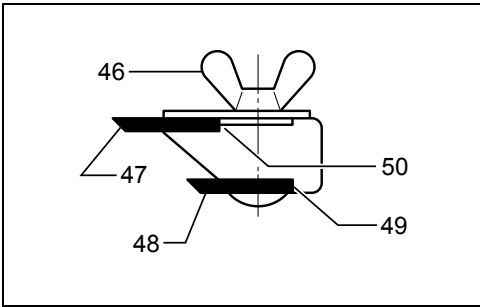
23

011748



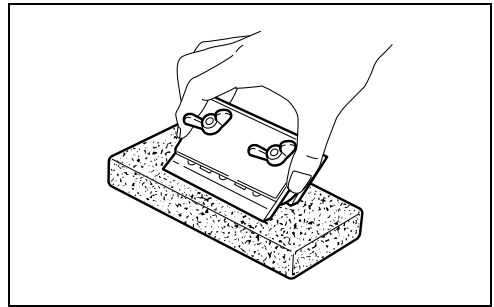
24

002588



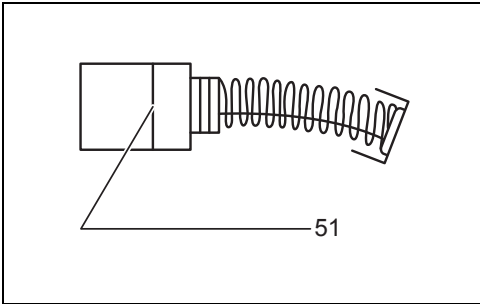
25

002589



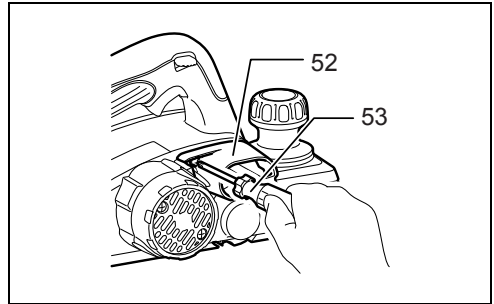
26

002590



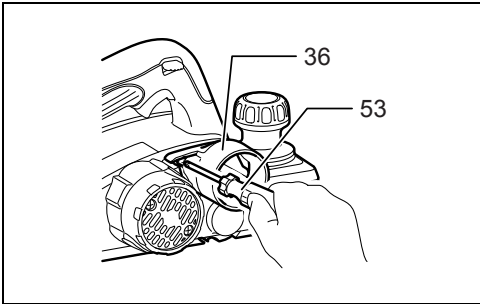
27

001145



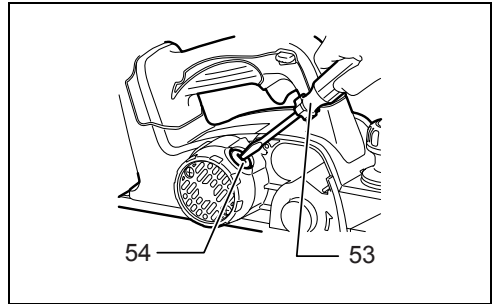
28

011749



29

011753



30

011750

ENGLISH (Original instructions)

Explanation of general view

1. Button	19. Adjusting plate	37. Dust bag
2. Red indicator	20. Inside edge of gauge plate	38. Fastener
3. Battery cartridge	21. Blade edge	39. Elbow
4. Star mark	22. Screws	40. Start
5. Pointer	23. Heel	41. End
6. Knob	24. Back side of gauge base	42. Cutting line
7. Lock-off lever	25. Gauge plate	43. Screw
8. Switch trigger	26. Gauge base	44. Edge fence (optional accessory)
9. Planer blade	27. Pan head screw	45. Sharpening holder
10. Rear base	28. Planer blade locating lugs	46. Wing nut
11. Foot	29. Heel of adjusting plate	47. Blade (A)
12. Socket wrench	30. Set plate	48. Blade (B)
13. Bolt	31. Inside flank of gauge plate	49. Side (D)
14. Loosen	32. Back side of gauge base	50. Side (C)
15. Tighten	33. Mini planer blade	51. Limit mark
16. Bolts	34. Groove	52. Chip cover
17. Drum	35. Hex. flange head bolts	53. Screwdriver
18. Drum cover	36. Nozzle	54. Brush holder cap

SPECIFICATIONS

Model	DKP140	DKP180
Planing width	82 mm	
Planing depth	1.6 mm	2 mm
Shiplapping depth	9 mm	
No load speed (min ⁻¹)	15,000	
Overall length	329 mm	333 mm
Net weight	3.3 kg	3.4 kg
Rated voltage	D.C. 14.4 V	D.C. 18 V

- Due to our continuing program of research and development, the specifications herein are subject to change without notice.
- Specifications and battery cartridge may differ from country to country.
- Weight, with battery cartridge, according to EPTA-Procedure 01/2003

Intended use


The tool is intended for planing wood.

ENE001-1

the work by your hand or against the body leaves it unstable and may lead to loss of control.

General Power Tool Safety Warnings

GEA010-1

 **WARNING** Read all safety warnings and all instructions. Failure to follow the warnings and instructions may result in electric shock, fire and/or serious injury.

3. **Rags, cloth, cord, string and the like should never be left around the work area.**
4. **Avoid cutting nails. Inspect for and remove all nails from the workpiece before operation.**
5. **Use only sharp blades. Handle the blades very carefully.**
6. **Be sure the blade installation bolts are securely tightened before operation.**
7. **Hold the tool firmly with both hands.**
8. **Keep hands away from rotating parts.**
9. **Before using the tool on an actual workpiece, let it run for a while. Watch for vibration or wobbling that could indicate poor installation or a poorly balanced blade.**
10. **Make sure the blade is not contacting the workpiece before the switch is turned on.**
11. **Wait until the blade attains full speed before cutting.**
12. **Always switch off and wait for the blades to come to a complete stop before any adjusting.**

Save all warnings and instructions for future reference.

CORDLESS PLANER SAFETY WARNINGS

GEB064-2

1. **Wait for the cutter to stop before setting the tool down.** An exposed rotating cutter may engage the surface leading to possible loss of control and serious injury.
2. **Use clamps or another practical way to secure and support the workpiece to a stable platform.** Holding

13. Never stick your finger into the chip chute. Chute may jam when cutting damp wood. Clean out chips with a stick.
14. Do not leave the tool running. Operate the tool only when hand-held.
15. Always change both blades or covers on the drum, otherwise the resulting imbalance will cause vibration and shorten tool life.
16. Use only Makita blades specified in this manual.
17. Always use the correct dust mask/respirator for the material and application you are working with.

SAVE THESE INSTRUCTIONS.

⚠ WARNING:

DO NOT let comfort or familiarity with product (gained from repeated use) replace strict adherence to safety rules for the subject product.

MISUSE or failure to follow the safety rules stated in this instruction manual may cause serious personal injury.

IMPORTANT SAFETY INSTRUCTIONS

ENC007-8

FOR BATTERY CARTRIDGE

1. Before using battery cartridge, read all instructions and cautionary markings on (1) battery charger, (2) battery, and (3) product using battery.
2. Do not disassemble battery cartridge.
3. If operating time has become excessively shorter, stop operating immediately. It may result in a risk of overheating, possible burns and even an explosion.
4. If electrolyte gets into your eyes, rinse them out with clear water and seek medical attention right away. It may result in loss of your eyesight.
5. Do not short the battery cartridge:
 - (1) Do not touch the terminals with any conductive material.
 - (2) Avoid storing battery cartridge in a container with other metal objects such as nails, coins, etc.
 - (3) Do not expose battery cartridge to water or rain.

A battery short can cause a large current flow, overheating, possible burns and even a breakdown.

6. Do not store the tool and battery cartridge in locations where the temperature may reach or exceed 50°C (122°F).
7. Do not incinerate the battery cartridge even if it is severely damaged or is completely worn out. The battery cartridge can explode in a fire.
8. Be careful not to drop or strike battery.
9. Do not use a damaged battery.
10. Follow your local regulations relating to disposal of battery.

SAVE THESE INSTRUCTIONS.

Tips for maintaining maximum battery life

1. Charge the battery cartridge before completely discharged. Always stop tool operation and charge the battery cartridge when you notice less tool power.
2. Never recharge a fully charged battery cartridge. Overcharging shortens the battery service life.
3. Charge the battery cartridge with room temperature at 10°C - 40°C (50°F - 104°F). Let a hot battery cartridge cool down before charging it.
4. Charge the battery cartridge once in every six months if you do not use it for a long period of time.

FUNCTIONAL DESCRIPTION

⚠ CAUTION:

- Always be sure that the tool is switched off and the battery cartridge is removed before adjusting or checking function on the tool.

Installing or removing battery cartridge (Fig. 1)

- Always switch off the tool before installing or removing of the battery cartridge.
- To remove the battery cartridge, slide it from the tool while sliding the button on the front of the cartridge.
- To install the battery cartridge, align the tongue on the battery cartridge with the groove in the housing and slip it into place. Always insert it all the way until it locks in place with a little click. If you can see the red indicator on the upper side of the button, it is not locked completely. Install it fully until the red indicator cannot be seen. If not, it may accidentally fall out of the tool, causing injury to you or someone around you.
- Do not use force when installing the battery cartridge. If the cartridge does not slide in easily, it is not being inserted correctly.

Battery protection system (Battery cartridge with a star mark) (Fig. 2)

The battery cartridge with a star mark is equipped with the protection system, which automatically cuts off the output power for its long service life.

The tool stops during operation when the tool and/or battery are placed under the following situation. This is caused by the activation of protection system and does not show the tool trouble.

- When the tool is overloaded:

At this time, release the switch trigger, remove the battery cartridge and remove causes of overload and then pull the switch trigger again to restart.
- When battery cells get hot:

If any operation of the switch trigger, the motor will remain stopped. At this time, stop use of the tool and cool or charge the battery cartridge after removing it from the tool.
- When the remaining battery capacity gets low:

If any operation of the switch trigger, the motor will remain stopped. At this time, remove the battery cartridge from the tool and charge it.

Adjusting depth of cut (Fig. 3)

Depth of cut may be adjusted by simply turning the knob on the front of the tool so that the pointer points the desired depth of cut.

Switch action (Fig. 4)

⚠ CAUTION:

- Before installing the battery cartridge into the tool, always check to see that the switch trigger actuates properly and returns to the "OFF" position when released.
- Do not pull the switch trigger hard without pressing the lock-off lever. This can cause switch breakage.

To prevent the switch trigger from being accidentally pulled, a lock-off lever is provided. To start the tool, slide the lock-off lever and pull the switch trigger. Release the switch trigger to stop.

⚠ WARNING:

- For your safety, this tool is equipped with lock-off lever which prevents the tool from unintended starting. NEVER use the tool if it runs when you simply pull the switch trigger without pressing the lock-off lever. Return tool a MAKITA service center for proper repairs BEFORE further usage.
- NEVER tape down or defeat purpose and function of lock-off lever.

To prevent the switch trigger from being accidentally pulled, a lock-off button is provided.

To start the tool, depress the lock-off button and pull the switch trigger. Release the switch trigger to stop.

Foot (Fig. 5)

After a cutting operation, raise the back side of the tool and a foot comes under the level of the rear base. This prevents the tool blades to be damaged.

ASSEMBLY

⚠ CAUTION:

- Always be sure that the tool is switched off and the battery cartridge is removed before carrying out any work on the tool.

Removing or installing planer blades

⚠ CAUTION:

- Tighten the blade installation bolts carefully when attaching the blades to the tool. A loose installation bolt can be dangerous. Always check to see they are tightened securely.
- Handle the blades very carefully. Use gloves or rags to protect your fingers or hands when removing or installing the blades.
- Use only the Makita wrench provided to remove or install the blades. Failure to do so may result in overtightening or insufficient tightening of the installation bolts. This could cause an injury.

For tool with conventional planer blades (Fig. 6 - 8)

To remove the blades on the drum, unscrew the installation bolts with the socket wrench. The drum cover comes off together with the blades.

To install the blades, first clean out all chips or foreign matter adhering to the drum or blades. Use blades of the

same dimensions and weight, or drum oscillation/vibration will result, causing poor planing action and, eventually, tool breakdown.

Place the blade on the gauge base so that the blade edge is perfectly flush with the inside edge of the gauge plate. Place the adjusting plate on the blade, then simply press in the heel of the adjusting plate flush with the back side of the gauge base and tighten two screws on the adjusting plate. Now slip the heel of the adjusting plate into the drum groove, then fit the drum cover on it. Tighten all the installation bolts evenly and alternately with the socket wrench.

Repeat the above procedures for the other blade.

For tool with mini planer blades (Fig. 9)

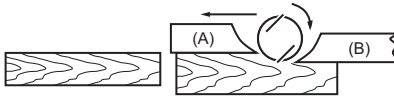
1. Remove the existing blade, if the tool has been in use, carefully clean the drum surfaces and the drum cover. To remove the blades on the drum, unscrew the three installation bolts with the socket wrench. The drum cover comes off together with the blades. (Fig. 10)
2. To install the blades, loosely attach the adjusting plate to the set plate with the pan head screws and set the mini planer blade on the gauge base so that the cutting edge of the blade is perfectly flush with the inside flank of the gauge plate.
3. Set the adjusting plate/set plate on the gauge base so that the planer blade locating lugs on the set plate rest in the mini planer blade groove, then press in the heel of the adjusting plate flush with the back side of the gauge base and tighten the pan head screws.
4. It is important that the blade sits flush with the inside flank of the gauge plate, the planer blade locating lugs sit in the blade groove and the heel of the adjusting plate is flush with the back side of the gauge base. Check this alignment carefully to ensure uniform cutting.
5. Slip the heel of the adjusting plate into the groove of the drum. (Fig. 11)
6. Set the drum cover over the adjusting plate/set plate and screw in the three hex flange head bolts so that a gap exists between the drum and the set plate to slide the mini planer blade into position. The blade will be positioned by the planer blade locating lugs on the set plate.
7. The blade's lengthwise adjustment will need to be manually positioned so that the blade ends are clear and equidistant from the housing on one side and the metal bracket on the other.
8. Tighten the three hex flange head bolts (with the socket wrench provided) and rotate the drum to check clearances between the blade ends and the tool body.
9. Check the three hex flange head bolts for final tightness.
10. Repeat procedures 1 - 9 for the other blade.

For the correct planer blade setting

Your planing surface will end up rough and uneven, unless the blade is set properly and securely. The blade must be mounted so that the cutting edge is absolutely level, that is, parallel to the surface of the rear base. Refer to some examples below for proper and improper settings.

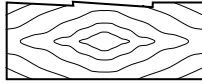
- (A) Front base (Movable shoe)
- (B) Rear base (Stationary shoe)

Correct setting



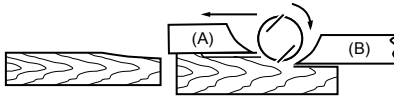
Although this side view cannot show it, the edges of the blades run perfectly parallel to the rear base surface.

Nicks in surface



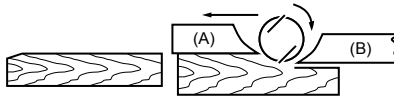
Cause: One or both blades fails to have edge parallel to rear base line.

Gouging at start



Cause: One or both blade edges fails to protrude enough in relation to rear base line.

Gouging at end



Cause: One or both blade edges protrudes too far in relation to rear base line.

EN0004-1

Dust bag (accessory) (Fig. 12)

For tool without nozzle

Remove the chip cover and install the nozzle (optional accessory). Attach the dust bag onto the nozzle. The nozzle is tapered. When attaching the dust bag, push it onto the nozzle firmly as far as it will go to prevent it from coming off during operation.

For tool with nozzle

Attach the dust bag onto the nozzle. The nozzle is tapered. When attaching the dust bag, push it onto the nozzle firmly as far as it will go to prevent it from coming off during operation. (Fig. 13)

When the dust bag is about half full, remove the dust bag from the tool and pull the fastener out. Empty the dust bag of its contents, tapping it lightly so as to remove particles adhering to the insides which might hamper further collection.

NOTE:

- If you connect a Makita vacuum cleaner to this tool, more efficient and cleaner operations can be performed.

Connecting a vacuum cleaner (Fig. 14)

For tool without nozzle

When you wish to perform clean planing operation, connect a Makita vacuum cleaner to your tool. Before connecting the vacuum cleaner, remove the chip cover from the tool. Then connect a hose of the vacuum cleaner to the nozzle (optional accessory) as shown in the figures.

For tool with nozzle

When you wish to perform clean planing operation, connect a Makita vacuum cleaner to your tool. Then connect a hose of the vacuum cleaner to the nozzle as shown in the figures.

Elbow (optional accessory) (Fig. 15)

Use of elbow allows change of chip discharge direction to perform cleaner work.

For tool without nozzle

Remove the chip cover and install the nozzle (optional accessory). Attach the elbow (optional accessory) on the nozzle of the tool by just slipping on it. To remove it, just pull it out.

For tool with nozzle

Attach the elbow (optional accessory) on the nozzle of the tool by just slipping on it. To remove it, just pull it out.

OPERATION

Hold the tool firmly with one hand on the knob and the other hand on the switch handle when performing the tool.

Planing operation (Fig. 16)

First, rest the tool front base flat upon the workpiece surface without the blades making any contact. Switch on and wait until the blades attain full speed. Then move the tool gently forward. Apply pressure on the front of tool at the start of planing, and at the back at the end of planing. Planing will be easier if you incline the workpiece in stationary fashion, so that you can plane somewhat downhill.

The speed and depth of cut determine the kind of finish. The power planer keeps cutting at a speed that will not result in jamming by chips. For rough cutting, the depth of cut can be increased, while for a good finish you should reduce the depth of cut and advance the tool more slowly.

Shiplapping (Rabbeting) (Fig. 17)

To make a stepped cut as shown in the figure, use the edge fence (guide rule) which is obtained as accessory. (Fig. 18)

Draw a cutting line on the workpiece. Insert the edge fence into the hole in the front of the tool. Align the blade edge with the cutting line. (Fig. 19)

Adjust the edge fence until it comes in contact with the side of the workpiece, then secure it by tightening the screw. (Fig. 20)

When planing, move the tool with the edge fence flush with the side of the workpiece. Otherwise uneven planing may result.

Maximum shiplapping (rabbeting) depth is 9 mm. (Fig. 21)

You may wish to add to the length of the fence by attaching an extra piece of wood. Convenient holes are provided in the fence for this purpose, and also for attaching an extension guide (optional accessory).

Chamfering (Fig. 22 & 23)

To make a chamfering cut as shown in the figure, align the "V" groove in the front base with the edge of the workpiece and plane it.

MAINTENANCE

CAUTION:

- Always be sure that the tool is switched off and the battery cartridge is removed before attempting to perform inspection or maintenance.
- Never use gasoline, benzine, thinner, alcohol or the like. Discoloration, deformation or cracks may result.

Sharpening the planer blades

For conventional blades only (Fig. 24)

Always keep your blades sharp for the best performance possible. Use the sharpening holder (optional accessory) to remove nicks and produce a fine edge. (Fig. 25)

First, loosen the two wing nuts on the holder and insert the blades (A) and (B), so that they contact the sides (C) and (D). Then tighten the wing nuts. (Fig. 26)

Immerse the dressing stone in water for 2 or 3 minutes before sharpening. Hold the holder so that the both blades contact the dressing stone for simultaneous sharpening at the same angle.

Replacing carbon brushes (Fig. 27)

Remove and check the carbon brushes regularly. Replace when they wear down to the limit mark. Keep the carbon brushes clean and free to slip in the holders. Both carbon brushes should be replaced at the same time. Use only identical carbon brushes. (Fig. 28 & 29)

Use a screwdriver to remove the chip cover or nozzle. (Fig. 30)

Use a screwdriver to remove the brush holder caps. Take out the worn carbon brushes, insert the new ones and secure the brush holder caps.

To maintain product SAFETY and RELIABILITY, repairs, any other maintenance or adjustment should be performed by Makita Authorized Service Centers, always using Makita replacement parts.

OPTIONAL ACCESSORIES

CAUTION:

- These accessories or attachments are recommended for use with your Makita tool specified in this manual.

The use of any other accessories or attachments might present a risk of injury to persons. Only use accessory or attachment for its stated purpose.

If you need any assistance for more details regarding these accessories, ask your local Makita Service Center.

- High-speed steel Planer blade
- Tungsten-carbide Planer blade (For longer blade life)
- Mini planer blade
- Sharpening holder assembly
- Blade gauge
- Set plate set
- Edge fence (Guide rule)
- Extension guide set
- Dressing stone
- Nozzle
- Dust bag assembly
- Elbow
- Socket wrench
- Plastic carrying case
- Various type of Makita genuine batteries and chargers

NOTE:

- Some items in the list may be included in the tool package as standard accessories. They may differ from country to country.

Noise

ENG905-1

The typical A-weighted noise level determined according to EN60745:

Model DKP140

Sound pressure level (L_{pA}): 80 dB (A)

Uncertainty (K): 3 dB (A)

The noise level under working may exceed 80 dB (A).

Model DKP180

Sound pressure level (L_{pA}): 84 dB (A)

Sound power level (L_{WA}): 95 dB (A)

Uncertainty (K): 3 dB (A)

Wear ear protection.

Vibration

ENG900-1

The vibration total value (tri-axial vector sum) determined according to EN60745:

Model DKP140

Work mode: planing softwood

Vibration emission (a_{hV}): 3.5 m/s²

Uncertainty (K): 1.5 m/s²

Model DKP180

Work mode: planing softwood

Vibration emission (a_{hV}): 4.5 m/s²

Uncertainty (K): 1.5 m/s²

ENG901-1

- The declared vibration emission value has been measured in accordance with the standard test method and may be used for comparing one tool with another.
- The declared vibration emission value may also be used in a preliminary assessment of exposure.

WARNING:

- The vibration emission during actual use of the power tool can differ from the declared emission value depending on the ways in which the tool is used.
- Be sure to identify safety measures to protect the operator that are based on an estimation of exposure in the actual conditions of use (taking account of all parts

of the operating cycle such as the times when the tool is switched off and when it is running idle in addition to the trigger time).

For European countries only ENH101-16
EC Declaration of Conformity

We Makita Corporation as the responsible manufacturer declare that the following Makita machine(s):

Designation of Machine:

Cordless Planer

Model No./ Type: DKP140, DKP180

are of series production and

Conforms to the following European Directives:

2006/42/EC

And are manufactured in accordance with the following standards or standardised documents:

EN60745

The technical documentation is kept by:

Makita International Europe Ltd.

Technical Department,

Michigan Drive, Tongwell,

Milton Keynes, Bucks MK15 8JD, England

06. 06. 2013



Tomoyasu Kato

Director

Makita Corporation

3-11-8, Sumiyoshi-cho,

Anjo, Aichi, 446-8502, JAPAN

FRANÇAIS (Instructions d'origine)

Descriptif

1. Bouton	20. Bord intérieur de la plaque gabarit	37. Sac à poussières
2. Voyant rouge	21. Rebord du fer	38. Fermeture-éclair
3. Batterie	22. Vis	39. Coude
4. Étoile	23. Talon	40. Démarrer
5. Pointeur	24. Arrière de la base du gabarit	41. Fin
6. Bouton	25. Plaque gabarit	42. Ligne de coupe
7. Levier de déverrouillage	26. Base du gabarit	43. Vis
8. Gâchette	27. Vis à tête cylindrique	44. Garde parallèle (accessoire en option)
9. Fer de rabot	28. Ergots de positionnement du fer de rabot	45. Porte-affûteur
10. Base arrière	29. Talon de la plaque de réglage	46. Écrou à oreilles
11. Pied	30. Plaque de fixation	47. Fer (A)
12. Clé à douille	31. Flasque intérieur de la plaque gabarit	48. Fer (B)
13. Boulon	32. Arrière de la base du gabarit	49. Côté (D)
14. Déserrer	33. Mini-fer de rabot	50. Côté (C)
15. Serrer	34. Rainure	51. Repère d'usure
16. Boulons	35. Boulons à tête cylindrique	52. Couvercle des copeaux
17. Tambour	36. Gicleur	53. Tournevis
18. Couvercle du tambour		54. Bouchon de porte-charbon
19. Plaque de réglage		

SPÉCIFICATIONS

Modèle	DKP140	DKP180
Largeur de rabotage	82 mm	
Profondeur de rabotage	1,6 mm	2 mm
Profondeur de polissage d'angle	9 mm	
Vitesse a vide (min ⁻¹)	15 000	
Longueur totale	329 mm	333 mm
Poids net	3,3 kg	3,4 kg
Tension nominale	14,4 V C.C.	18 V C.C.

- Étant donné l'évolution constante de notre programme de recherche et de développement, les spécifications contenues dans ce manuel sont sujettes à des modifications sans préavis.
- Les spécifications et la batterie peuvent varier d'un pays à l'autre.
- Poids, batterie incluse, selon la procédure EPTA 01/2003


Utilisations

ENE001-1

L'outil est conçu pour le rabotage du bois.

Consignes de sécurité générales des outils électriques

GEA010-1

 **AVERTISSEMENT** Veuillez lire toutes les consignes de sécurité et les instructions. Il y a un risque de choc électrique, d'incendie et/ou de blessure grave si les consignes et les instructions ne sont pas toutes respectées.

Conservez toutes les consignes et instructions pour référence ultérieure.

AVERTISSEMENTS DE SÉCURITÉ CONCERNANT LE RABOT SANS FIL

GEB064-2

1. **Attendez l'arrêt de l'outil tranchant avant de déposer l'outil.** Un outil tranchant rotatif exposé pourrait entraîner la surface et causer une perte de contrôle ou de graves blessures.
2. **Utilisez des dispositifs de serrage ou un autre moyen pratique pour immobiliser et soutenir la pièce sur une surface stable.** La pièce sera instable et vous risquerez d'en perdre la maîtrise si vous la tenez avec une main ou l'appuyez simplement contre une partie du corps.
3. **Ne laissez jamais traîner d'objets tels que vieux tissus, chiffons, cordes et ficelles dans la zone de travail.**
4. **Prenez garde aux clous pendant la coupe. Avant de travailler votre pièce, inspectez-la et retirez-en tous les clous.**
5. **Utilisez uniquement des lames bien affûtées. Manipulez les lames avec une grande prudence.**

- Avant l'utilisation, assurez-vous que les boulons de retenue des lames sont solidement serrés.
- Tenez l'outil fermement à deux mains.
- Gardez les mains éloignées des pièces en rotation.
- Avant d'utiliser l'outil sur la pièce elle-même, laissez-le tourner un instant. Soyez attentif à toute vibration ou sautellement susceptible d'indiquer que la lame est mal installée ou mal équilibrée.
- Assurez-vous que la lame ne touche pas la pièce à travailler avant de mettre le contact.
- Attendez que la lame atteigne sa pleine vitesse avant de procéder à la coupe.
- Coupez toujours le contact et attendez l'arrêt complet des lames avant d'effectuer tout réglage.
- Ne mettez jamais les doigts dans la goulotte à copeaux. Le goulotte peut se boucher lorsque vous coupez du bois humide. Enlevez les copeaux avec un bâton.
- N'abandonnez pas l'outil alors qu'il tourne. Ne faites fonctionner l'outil qu'une fois que vous l'avez bien en main.
- Changez toujours les deux lames ou couvercles sur le tambour. Dans le cas contraire, le déséquilibre engendré causera des vibrations et réduira la durée de service de l'outil.
- N'utilisez que les lames Makita spécifiées dans le présent manuel.
- Utilisez toujours un masque antipoussières ou un masque filtrant approprié au matériau à travailler et à l'outil utilisé.

CONSERVEZ CES INSTRUCTIONS.

AVERTISSEMENT :

NE vous laissez PAS tromper (au fil d'une utilisation répétée) par un sentiment d'aisance et de familiarité avec le produit, en négligeant le respect rigoureux des consignes de sécurité qui accompagnent l'outil. Une UTILISATION INCORRECTE de l'outil ou le non-respect des consignes de sécurité indiquées dans ce manuel d'instructions peuvent causer des blessures graves.

CONSIGNES DE SÉCURITÉ IMPORTANTES

ENC007-8

POUR LA BATTERIE

- Avant d'utiliser la batterie, veuillez lire toutes les instructions et tous les avertissements inscrits sur (1) le chargeur, (2) la batterie et (3) l'appareil alimenté par la batterie.
 - Ne démontez pas la batterie.
 - Cessez immédiatement d'utiliser l'outil si le temps de fonctionnement devient excessivement court. Il y a risque de surchauffe, de brûlures, voire d'explosion.
 - Si l'électrolyte pénètre dans vos yeux, rincez-les à l'eau claire et consultez immédiatement un médecin. Il y a risque de perte de la vue.
 - Évitez de court-circuiter la batterie :
- Ne touchez les bornes avec aucun matériau conducteur.
 - Évitez de ranger la batterie dans un contenant où se trouvent d'autres objets métalliques tels que des clous, pièces de monnaie, etc.
 - N'exposez pas la batterie à l'eau ou à la pluie. Un court-circuit de la batterie risque de provoquer un fort courant, une surchauffe, parfois des brûlures et même une panne.
- Ne rangez pas l'outil ou la batterie dans des endroits où la température risque d'atteindre ou de dépasser 50°C (122°F).
 - Ne jetez pas la batterie au feu même si elle est sérieusement endommagée ou complètement épuisée. La batterie peut exploser au contact du feu.
 - Veillez à ne pas laisser tomber ou heurter la batterie.
 - N'utilisez pas de batterie endommagée.
 - Respectez les réglementations locales relatives à la mise au rebut des batteries.

CONSERVEZ CES INSTRUCTIONS.

Conseils pour assurer la durée de vie optimale de la batterie

- Rechargez la batterie avant qu'elle ne soit complètement épuisée. Arrêtez toujours l'outil et rechargez la batterie quand vous constatez que la puissance de l'outil diminue.
- Ne rechargez jamais une batterie complètement chargée. La surcharge réduit la durée de service de la batterie.
- Chargez la batterie alors que la température de la pièce se trouve entre 10°C et 40°C (50°F et 104°F). Si une batterie est chaude, laissez-la refroidir avant de la charger.
- Si vous n'utilisez pas l'outil pendant une période prolongée, rechargez la batterie tous les six mois.

DESCRIPTION DU FONCTIONNEMENT

ATTENTION :

- Veillez toujours à ce que l'outil soit éteint et la batterie déposée avant d'effectuer des réglages ou de vérifier le fonctionnement de l'outil.

Installation ou retrait de la batterie (Fig. 1)

- Éteignez toujours l'outil avant d'installer ou de retirer la batterie.
- Pour retirer la batterie, faites glisser le bouton à l'avant de la batterie et sortez la batterie.
- Pour installer la batterie, alignez sa languette sur la rainure qui se trouve à l'intérieur du carter, puis glissez la batterie pour la mettre en place. Insérez-la toujours bien à fond, jusqu'à ce qu'elle se verrouille en émettant

un léger clic. Si vous pouvez voir la partie rouge sur la face supérieure du bouton, la batterie n'est pas parfaitement verrouillée. Installez-la à fond, jusqu'à ce que la partie rouge ne soit plus visible. Sinon, elle risque de tomber accidentellement de l'outil, en vous blessant ou en blessant une personne située près de vous.

- N'appliquez pas une force excessive lors de l'installation de la batterie. Si la batterie ne glisse pas aisément, c'est qu'elle n'est pas insérée correctement.

Système de protection de la batterie (batterie comportant une étoile) (Fig. 2)

La batterie sur laquelle figure une étoile est équipée d'un système de protection qui coupe automatiquement la puissance de sortie pour lui assurer une longue durée de service.

L'outil s'arrête pendant l'utilisation lorsqu'il et/ou la batterie se trouve(nt) dans la situation suivante. Cela est dû à l'activation du système de protection et n'indique pas le problème de l'outil.

- Lorsque l'outil est surchargé :
Lorsque cela se produit, relâchez la gâchette, retirez la batterie et supprimez les causes de surcharge, puis appuyez de nouveau sur la gâchette pour redémarrer.
- Lorsque les éléments de la batterie deviennent très chauds :
En cas d'utilisation de la gâchette, le moteur reste à l'arrêt. Lorsque cela se produit, cessez d'utiliser l'outil et laissez la batterie refroidir ou rechargez-la après l'avoir retirée de l'outil.
- Lorsque la batterie est presque vide :
En cas d'utilisation de la gâchette, le moteur reste à l'arrêt. Lorsque cela se produit, retirez la batterie de l'outil et rechargez-la.

Réglage de la profondeur de coupe (Fig. 3)

Le réglage de la profondeur de coupe s'effectue simplement en tournant le bouton qui se trouve à l'avant de l'outil de sorte que l'index pointe sur la profondeur désirée.

Interrupteur (Fig. 4)

⚠ ATTENTION :

- Avant d'installer la batterie dans l'outil, vérifiez toujours que la gâchette fonctionne bien et revient en position d'arrêt lorsque libérée.
- Ne forcez pas en appuyant sur la gâchette sans avoir d'abord enfoncé le levier de sécurité. Vous risqueriez de casser la gâchette.

Un levier de sécurité est prévu pour prévenir la pression accidentelle sur la gâchette. Pour démarrer l'outil, faites glisser le levier de sécurité puis appuyez sur la gâchette. Pour l'arrêter, relâchez la gâchette.

⚠ AVERTISSEMENT :

- Pour assurer votre sécurité, cet outil est doté d'un levier de sécurité qui empêche le démarrage accidentel de l'outil. N'utilisez JAMAIS l'outil s'il se met en marche lorsque vous appuyez simplement sur la gâchette sans avoir appuyé sur le levier de sécurité. Renvoyez l'outil

à un centre de service après-vente MAKITA pour le faire réparer AVANT toute autre utilisation.

- Le levier de sécurité ne doit JAMAIS être immobilisé avec du ruban adhésif, ni modifié.

Pour éviter tout déclenchement accidentel de la gâchette, l'outil est muni d'un bouton de sécurité.

Pour démarrer l'outil, enfoncez le bouton de sécurité puis appuyez sur la gâchette. Pour l'arrêter, relâchez la gâchette.

Pied (Fig. 5)

Après la coupe, soulevez l'outil par l'arrière pour faire sortir le pied du socle arrière. Cela prévient l'endommagement des fers de l'outil.

ASSEMBLAGE

⚠ ATTENTION :

- Assurez-vous toujours que l'outil est hors tension et que la batterie est retirée avant d'effectuer toute intervention sur l'outil.

Retrait ou pose des fers de rabot

⚠ ATTENTION :

- Serrez solidement les boulons de pose des fers lorsque vous fixez les fers à l'outil. Un boulon mal serré peut être dangereux. Vérifiez toujours qu'ils sont bien serrés.
- Manipulez les fers avec une grande prudence. Portez des gants ou utilisez des chiffons pour protéger vos doigts ou vos mains lors du retrait ou de la pose des fers.
- Utilisez exclusivement la clé Makita fournie pour retirer ou poser les fers. Autrement vous risquez d'effectuer un serrage excessif ou insuffisant des boulons. Cela comporte un risque de blessure.

Pour l'outil à fers de rabot classiques (Fig. 6 à 8)

Pour retirer les fers du tambour, dévissez les boulons à l'aide de la clé à douille. Le couvercle du tambour se détachera avec les fers.

Pour poser les fers, enlevez d'abord tous les copeaux ou corps étrangers qui adhèrent au tambour et aux fers. Utilisez des fers de dimensions et de poids identiques pour éviter que le tambour n'oscille ou ne vibre, ce qui causerait un rabotage médiocre et risquerait d'endommager l'outil.

Placez le fer sur la base du gabarit de sorte que le tranchant du fer soit parfaitement aligné sur le bord intérieur de la plaque gabarit. Posez la plaque de réglage sur le fer, puis enfoncez simplement le talon de la plaque de réglage pour qu'il s'aligne parfaitement sur l'arrière de la base du gabarit, et serrez les deux vis sur la plaque de réglage. Glissez ensuite le talon de la plaque de réglage dans la rainure du tambour, puis posez le couvercle sur ce dernier. Serrez tous les boulons à l'aide de la clé à douille, en alternant d'un boulon à l'autre pour assurer un serrage égal.

Répétez les procédures précédentes pour l'autre fer.

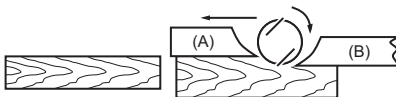
Pour l'outil à mini-fers de rabot (Fig. 9)

1. Retirez le fer existant, et si vous venez d'utiliser l'outil nettoyez soigneusement la surface et le couvercle du tambour. Pour retirer les fers du tambour, dévissez les

- trois boulons à l'aide de la clé à douille. Le couvercle du tambour se détachera avec les fers. **(Fig. 10)**
2. Pour poser les fers, fixez légèrement la plaque de réglage à la plaque de fixation à l'aide des vis à tête cylindrique large, et réglez le mini-fer de rabot sur la base du gabarit de sorte que le tranchant du fer soit parfaitement aligné sur la surface intérieure de la plaque gabarit.
 3. Réglez la plaque de réglage/plaque de fixation sur la base du gabarit de sorte que les ergots de positionnement du fer de rabot, sur la plaque de fixation, reposent dans la rainure du mini-fer de rabot, puis enfoncez le talon de la plaque de réglage pour l'aligner parfaitement sur l'arrière de la base du gabarit, et serrez les vis à tête cylindrique large.
 4. Il est important que le fer se trouve parfaitement aligné sur la surface intérieure de la plaque gabarit, que les ergots de positionnement du fer de rabot se trouvent dans la rainure du fer, et que le talon de la plaque de réglage soit parfaitement aligné sur l'arrière de la base du gabarit. Vérifiez soigneusement l'alignement pour assurer une coupe uniforme.
 5. Glissez le talon de la plaque de réglage dans la rainure du tambour. **(Fig. 11)**
 6. Posez le couvercle du tambour sur la plaque de réglage/plaque de fixation, et vissez les trois boulons

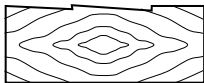
- (A) Base avant (talon mobile)
 (B) Base arrière (talon immobile)

Réglage correct



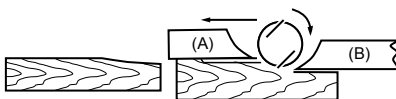
Bien que cela ne soit pas visible sur cette vue latérale, les tranchants de fer sont parfaitement parallèles à la surface de la base arrière.

Crantage à la surface



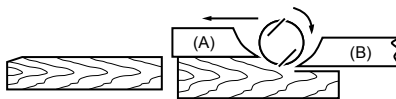
Cause : Le tranchant d'un des fers (ou des deux) n'est pas parallèle à la ligne de la base arrière.

Gougeage au début



Cause : Le tranchant d'un des fers (ou des deux) ne dépasse pas assez par rapport à la ligne de la base arrière.

Gougeage à la fin



Cause : Le tranchant d'un des fers (ou des deux) dépasse trop par rapport à la ligne de la base arrière.

EN0004-1

Sac à poussières (accessoire) (Fig. 12)

Pour l'outil sans gicleur

Retirez le couvercle à copeaux et installez le gicleur (accessoire en option). Fixez le sac à poussières sur le gicleur. Le gicleur est conique. Pour fixer le sac à poussières, poussez-le fermement dans le gicleur pour l'insérer à fond, afin d'éviter qu'il ne se détache en cours d'utilisation.

- à tête cylindrique large de sorte qu'il y ait un espace libre entre le tambour et la plaque de réglage pour glisser en position le mini-fer de rabot. Le fer sera mis en position par les ergots de positionnement du fer de rabot sur la plaque de fixation.
7. Il faut effectuer manuellement la mise en position du fer sur la longueur, de sorte que les extrémités ne touchent pas le carter d'un côté ni le support métallique de l'autre, et qu'elles se trouvent à la même distance de ces derniers.
8. Serrez les trois boulons à tête cylindrique large (à l'aide de la clé à douille fournie) et faites tourner le tambour pour vous assurer que les extrémités du fer ne touchent pas le corps de l'outil.
9. Vérifiez les boulons à tête cylindrique large en effectuant un dernier serrage.
10. Répétez les étapes 1 à 9 pour l'autre fer.

Pour régler correctement le fer de rabot

La surface rabotée sera grossière et inégale si le fer n'est pas réglé de manière adéquate et sûre. Le fer doit être monté de sorte que le tranchant soit parfaitement de niveau, c'est-à-dire parallèle à la surface de la base arrière.

Reportez-vous aux quelques exemples ci-dessous de réglages adéquats et inadéquats.

Pour l'outil avec gicleur

Fixez le sac à poussières sur le gicleur. Le gicleur est conique. Pour fixer le sac à poussières, poussez-le fermement dans le gicleur pour l'insérer à fond, afin d'éviter qu'il ne se détache en cours d'utilisation. **(Fig. 13)** Lorsque le sac à poussières est presque à moitié plein, retirez-le de l'outil et ouvrez la fermeture-éclair. Videz le sac en le tapotant pour détacher les particules qui adhèrent à l'intérieur et peuvent empêcher la collecte des poussières.

REMARQUE :

- Si vous raccordez un aspirateur Makita à cet outil, vous effectuerez votre travail de façon plus efficace et plus propre.

Raccordement d'un aspirateur (Fig. 14)

Pour l'outil sans gicleur

Pour effectuer un rabotage plus propre, raccordez un aspirateur Makita à votre outil. Avant de raccorder l'aspirateur, retirez le couvercle des copeaux de l'outil. Connectez ensuite le tuyau de l'aspirateur au gicleur (accessoire en option), tel qu'illustré sur les figures.

Pour l'outil avec gicleur

Pour effectuer un rabotage plus propre, raccordez un aspirateur Makita à votre outil. Connectez ensuite le tuyau de l'aspirateur au gicleur, tel qu'illustré sur les figures.

Coude (accessoire en option) (Fig. 15)

L'utilisation du coude permet de changer le sens de sortie des copeaux pour effectuer un travail plus propre.

Pour l'outil sans gicleur

Retirez le couvercle à copeaux et installez le gicleur (accessoire en option). Fixez le coude (accessoire en option) sur le gicleur de l'outil, simplement en l'y glissant. Pour le retirer, tirez simplement dessus.

Pour l'outil avec gicleur

Fixez le coude (accessoire en option) sur le gicleur de l'outil, simplement en l'y glissant. Pour le retirer, tirez simplement dessus.

FONCTIONNEMENT

Maintenez fermement l'outil avec une main sur le bouton et l'autre main sur la poignée-gâchette lorsque vous testez l'outil.

Rabotage (Fig. 16)

Tout d'abord, déposez la base arrière de l'outil à plat sur la pièce à travailler, sans que les fers n'entrent en contact avec quoi que ce soit. Mettez le contact et attendez que les fers aient atteint leur pleine vitesse. Déplacez ensuite l'outil doucement vers l'avant. Appliquez une pression sur l'avant de l'outil au début du rabotage, et une pression à l'arrière à la fin du rabotage. Le rabotage sera plus facile si vous inclinez la pièce et l'immobilisez dans cette position, de façon à raboter quelque peu en descendant. Le type de finition dépend de la vitesse et de la profondeur de coupe. Le rabot électrique maintient une vitesse de coupe constante prévue pour éviter les bourrages de copeaux. Pour une coupe grossière vous pouvez augmenter la profondeur de coupe, tandis que pour obtenir une bonne finition vous devez réduire la profondeur de coupe et faire avancer l'outil plus lentement.

Rabotage (Fig. 17)

Pour effectuer une coupe dégradée, comme indiqué sur la figure, utilisez le garde parallèle (règle de guidage), fourni comme accessoire. (Fig. 18)

Tracez une ligne de coupe sur la pièce. Insérez le garde parallèle dans l'orifice à l'avant de l'outil. Alignez le tranchant du fer sur la ligne de coupe. (Fig. 19)

Réglez le garde parallèle jusqu'à ce qu'il entre en contact avec le côté de la pièce à travailler, puis fixez-le en serrant la vis. (Fig. 20)

Lorsque vous rabotez, déplacez l'outil en gardant le garde parallèle parfaitement appuyé contre le côté de la pièce. Autrement vous risquez d'effectuer un rabotage inégal. La profondeur maximale du rabotage est de 9 mm.

(Fig. 21)

Vous voudrez peut-être allonger le garde parallèle en lui ajoutant une pièce de bois. Des orifices pratiques ont été prévus à cet effet, ainsi que pour fixer un guide prolongateur (accessoire en option).

Chanfreinage (Fig. 22 et 23)

Pour effectuer une coupe de chanfreinage comme celle indiquée sur la figure, alignez la rainure en « V » sur le bord de la pièce puis rabotez.

ENTRETIEN

⚠ ATTENTION :

- Assurez-vous toujours que l'outil est hors tension et que la batterie est retirée avant d'y effectuer tout travail d'inspection ou d'entretien.
- N'utilisez jamais d'essence, de benzine, de diluant, d'alcool ou de produit similaire. Ces produits risquent de provoquer des décolorations, des déformations ou des fissures.

Affûtage des fers de rabot

Pour les fers classiques uniquement (Fig. 24)

Gardez toujours vos fers bien affûtés pour assurer une coupe optimale. Utilisez le porte-affûteur (accessoire en option) pour enlever le crantage et obtenir un tranchant fin. (Fig. 25)

Tout d'abord, desserrez les deux écrous à oreilles du porte-affûteur, et insérez les fers (A) et (B) de sorte qu'ils touchent les côtés (C) et (D). Serrez ensuite les écrous à oreilles. (Fig. 26)

Plongez la pierre à dresser 2 à 3 minutes dans l'eau avant d'affûter. Tenez le porte-affûteur de sorte que les deux fers touchent la pierre à dresser pour que l'affûtage s'effectue en même temps et avec le même angle.

Remplacement des charbons (Fig. 27)

Retirez et vérifiez les charbons régulièrement. Remplacez-les lorsqu'ils atteignent le repère d'usure. Maintenez les charbons propres et en état de glisser aisément dans les porte-charbons. Les deux charbons doivent être remplacés en même temps. N'utilisez que des charbons identiques. (Fig. 28 et 29)

Retirez le couvercle des copeaux ou le gicleur à l'aide d'un tournevis. (Fig. 30)

Retirez les bouchons de porte-charbon à l'aide d'un tournevis. Enlevez les charbons usés, insérez-en de nouveaux et revissez solidement les bouchons de porte-charbon.

Pour garantir la SÉCURITÉ et la FIABILITÉ du produit, les réparations, ainsi que tout autre travail d'entretien ou de réglage doivent être effectués dans un centre de service Makita agréé, exclusivement avec des pièces de rechange Makita.

ACCESSOIRES FOURNIS EN OPTION

⚠ ATTENTION :

- Ces accessoires ou pièces complémentaires sont recommandés pour être utilisés avec l'outil Makita spécifié dans ce mode d'emploi. L'utilisation de tout autre accessoire ou pièce complémentaire peut comporter un risque de blessure. N'utilisez les accessoires ou pièces qu'aux fins auxquelles ils ont été conçus.

Pour obtenir plus de détails sur ces accessoires, contactez votre Centre de service local Makita.

- Fer de rabot en acier haute vitesse
- Fer de rabot en carbure de tungstène (fer longue durée)
- Mini-fer de rabot
- Ensemble de porte-affûteur
- Gabarit de fer
- Jeu de plaque de fixation
- Garde parallèle (règle de guidage)
- Jeu de guide prolongateur
- Pierre à dresser
- Gicleur
- Ensemble de sac à poussières
- Coude
- Clé à douille
- Étui en plastique
- Divers types de batteries et chargeurs de marque Makita

REMARQUE :

- Certains éléments de la liste peuvent être inclus en tant qu'accessoires standard dans le coffret de l'outil envoyé. Ils peuvent varier suivant les pays.

Bruit ENG905-1
Les niveaux de bruit pondéré A typiques ont été mesurés selon la norme EN60745 :

Modèle DKP140

Niveau de pression sonore (L_{pA}) : 80 dB (A)

Incertitude (K) : 3 dB (A)

Le niveau de bruit peut dépasser 80 dB (A) lors de l'utilisation.

Modèle DKP180

Niveau de pression sonore (L_{pA}) : 84 dB (A)

Niveau de puissance sonore (L_{WA}) : 95 dB (A)

Incertitude (K) : 3 dB (A)

Portez des protections auditives.

Vibrations ENG900-1

La valeur totale de vibration (somme du vecteur triaxial) a été déterminée selon la norme EN60745 :

Modèle DKP140

Mode de fonctionnement : rabotage de conifères

Émission de vibrations (a_h) : 3,5 m/s²

Incertitude (K) : 1,5 m/s²

Modèle DKP180

Mode de fonctionnement : rabotage de conifères

Émission de vibrations (a_h) : 4,5 m/s²

Incertitude (K) : 1,5 m/s²

ENG901-1

- La valeur de l'émission des vibrations déclarée a été mesurée conformément à la méthode de test standard

et peut être utilisée afin de comparer des outils entre eux.

- La valeur de l'émission des vibrations déclarée peut également être utilisée lors d'une évaluation préliminaire de l'exposition.

⚠ AVERTISSEMENT :

- Selon la manière dont l'outil est utilisé, il est possible que l'émission des vibrations pendant l'utilisation réelle de l'outil électrique diffère de la valeur de l'émission déclarée.
- Veillez à identifier les mesures de sécurité destinées à protéger l'opérateur et établies en fonction de l'estimation de l'exposition dans les conditions réelles d'utilisation (en prenant en compte toutes les étapes du cycle de fonctionnement, telles que les périodes de mise hors tension de l'outil, les périodes de fonctionnement au ralenti et les périodes de mise en route).

Pour les pays d'Europe uniquement ENH101-16

Déclaration de conformité CE

Nous, Makita Corporation, en tant que fabricant responsable, déclarons que la ou les machines Makita suivantes :

Nom de la machine :

Rabot sans Fil

N° de modèle/Type : DKP140, DKP180

sont fabriquées en série et

sont conformes aux directives européennes suivantes :

2006/42/CE

et sont produits conformément aux normes ou documents de normalisation suivants :

EN60745

La documentation technique est disponible auprès de :

Makita International Europe Ltd.

Technical Department,

Michigan Drive, Tongwell,

Milton Keynes, Bucks MK15 8JD, Angleterre

06. 06. 2013



Tomoyasu Kato

Directeur

Makita Corporation

3-11-8, Sumiyoshi-cho,

Anjo, Aichi, 446-8502, JAPAN

DEUTSCH (Originalanweisungen)

Erläuterung der Gesamtdarstellung

- | | | |
|-------------------------|---------------------------------------|--------------------------------------|
| 1. Taste | 19. Einstellplatte | 37. Staubbeutel |
| 2. Roter Bereich | 20. Innenkante der Messplatte | 38. Verschluss |
| 3. Akkublock | 21. Messerkante | 39. Bogenrohr |
| 4. Sternmarkierung | 22. Schrauben | 40. Start |
| 5. Zeiger | 23. Absatz | 41. Ende |
| 6. Knauf | 24. Rückseite des Messsockels | 42. Schneidschnur |
| 7. Entriegelungshebel | 25. Zieheisen | 43. Schraube |
| 8. Ein/Aus-Schalter | 26. Messsockel | 44. Parallelanschlag (Sonderzubehör) |
| 9. Hobelmesser | 27. Flachkopfschraube | 45. Schleifvorrichtung |
| 10. Hinterer Gleitschuh | 28. Positionierhilfen für Hobelmesser | 46. Flügelmutter |
| 11. Fuß | 29. Absatz der Einstellplatte | 47. Messer (A) |
| 12. Steckschlüssel | 30. Feststellplatte | 48. Messer (B) |
| 13. Schraube | 31. Innenflanke der Messplatte | 49. Seite (D) |
| 14. Lösen | 32. Rückseite des Messsockels | 50. Seite (C) |
| 15. Festschrauben | 33. Wendemesser | 51. Verschleißgrenze |
| 16. Schrauben | 34. Nut | 52. Spanfänger |
| 17. Hobelwelle | 35. Sechskantflanschschraben | 53. Schraubendreher |
| 18. Druckplatte | 36. Düse | 54. Bürstenhalterkappe |

TECHNISCHE DATEN

Modell	DKP140	DKP180
Hobelbreite	82 mm	
Hobeltiefe	1,6 mm	2 mm
Falztiefe	9 mm	
Leerlauf-Drehzahl (min ⁻¹)	15.000	
Gesamtlänge	329 mm	333 mm
Nettogewicht	3,3 kg	3,4 kg
Nennspannung	14,4 V Gleichspannung	18 V Gleichspannung

- Aufgrund unserer beständigen Forschungen und Weiterentwicklungen sind Änderungen an den hier angegebenen Technischen Daten ohne Vorankündigung vorbehalten.
- Die Technischen Daten und der Akkublock können in den einzelnen Ländern Abweichungen aufweisen.
- Gewicht, mit Akkublock, ermittelt gemäß EPTA-Verfahren 01/2003

Verwendungszweck

ENE001-1

Dieses Werkzeug wurde für das Hobeln von Holz entwickelt.

Allgemeine Sicherheitshinweise für Elektrowerkzeuge

GEA010-1

⚠ WARNUNG Lesen Sie alle Sicherheitshinweise und Anweisungen sorgfältig durch. Wenn die Hinweise und Anweisungen nicht beachtet werden, besteht die Gefahr eines Stromschlags, Brands und/oder das Risiko von ernsthaften Verletzungen.

Bewahren Sie alle Hinweise und Anweisungen zur späteren Referenz gut auf.

SICHERHEITSHINWEISE ZUR AKKU-HOBEL

GEB064-2

1. **Warten Sie, bis die Schneidevorrichtung zum Stillstand gekommen ist, bevor Sie das Werkzeug ablegen.** Ein ungeschütztes rotierendes Hobelmesser

- kann in die Oberfläche eingreifen und zu einem möglichen Kontrollverlust und schweren Verletzungen führen.
2. **Sichern Sie das Werkstück mit Hilfe von Schraubzwingen oder anderen geeigneten Befestigungsmitteln auf einer stabilen Unterlage.** Wenn Sie das Werkstück von Hand halten oder gegen Ihren Körper pressen, ist das Werkstück nicht stabil gesichert, und es kann zum Verlust der Kontrolle kommen.
 3. **Lassen Sie niemals Lappen, Tücher, Seile, Schnüre usw. im Arbeitsbereich liegen.**
 4. **Vermeiden Sie es, in Nägel zu schneiden.** Untersuchen Sie das Werkstück vor Arbeitsbeginn auf Nägel und entfernen Sie diese ggf.
 5. **Verwenden Sie ausschließlich scharfe Messer.** Gehen Sie sehr sorgfältig mit den Messern um.
 6. **Achten Sie darauf, dass die Bolzen zur Befestigung der Messer vor dem Betrieb fest angezogen sind.**
 7. **Halten Sie das Werkzeug mit beiden Händen fest.**
 8. **Halten Sie Ihre Hände von beweglichen Teilen fern.**

9. Bevor Sie das Werkzeug auf das zu bearbeitende Werkstück ansetzen, lassen Sie es einige Zeit ohne Last laufen. Achten Sie auf Vibrationen und Schlägen; diese Phänomene können auf ein beschädigtes oder nicht fachgerecht eingebautes Blatt hindeuten.
10. Achten Sie vor dem Einschalten des Werkzeugs darauf, dass das Sägeblatt das Werkstück nicht berührt.
11. Warten Sie vor dem Ausführen des Schnitts, bis das Sägeblatt seine volle Drehzahl erreicht hat.
12. Schalten Sie das Werkzeug stets aus und warten Sie, bis die Messer zum Stillstand gekommen sind, bevor Sie Einstellungen vornehmen.
13. Stecken Sie niemals den Finger in die Rinne des Spanauswurfs. Bei der Bearbeitung von feuchtem Holz kann die Rinne verstopft werden. Säubern Sie die Rinne mit einem Stock von den Spänen.
14. Lassen Sie das Werkzeug nicht unbeaufsichtigt eingeschaltet. Das Werkzeug darf nur dann in Betrieb sein, wenn es von Hand festgehalten wird.
15. Wechseln Sie stets Hobelmesser oder Messerklemmplatten paarweise aus, um eine Unwucht der Messerwelle zu vermeiden, die Vibrationen erzeugt und die Lebensdauer der Maschine verkürzt.
16. Verwenden Sie nur die in dieser Anleitung angegebenen Messer von Makita.
17. Verwenden Sie bei der Arbeit stets eine für das Material geeignete Staubmaske bzw. ein Atemgerät.

BEWAHREN SIE DIESE ANLEITUNG SORGFÄLTIG AUF.

WARNUNG:

Lassen Sie sich NIEMALS aus Bequemlichkeit oder (aus fortwährendem Gebrauch gewonnener) Vertrautheit mit dem Werkzeug dazu verleiten, die Sicherheitsregeln für das Werkzeug zu missachten. Bei MISSBRÄUHLICHER Verwendung des Werkzeugs oder bei Missachtung der in diesem Handbuch enthaltenen Sicherheitshinweise kann es zu schweren Verletzungen kommen.

WICHTIGE SICHERHEITSREGELN

ENC007-8

FÜR AKKUBLOCK

1. Lesen Sie vor der Verwendung des Akkublocks alle Anweisungen und Sicherheitshinweise für das Akkuladegerät (1), den Akku (2) und das Produkt (3), für das der Akku verwendet wird, sorgfältig durch.
2. Der Akkublock darf nicht zerlegt werden.
3. Falls die Betriebsdauer erheblich kürzer wird, beenden Sie den Betrieb umgehend. Andernfalls besteht die Gefahr einer Überhitzung sowie das Risiko möglicher Verbrennungen und sogar einer Explosion.
4. Wenn Elektrolyt in Ihre Augen gerät, waschen Sie diese mit klarem Wasser aus und suchen Sie

- sofort einen Arzt auf. Andernfalls können Sie Ihre Sehfähigkeit verlieren.
5. Vermeiden Sie einen Kurzschluss des Akkublocks:
 - (1) Die Kontakte dürfen nicht mit leitendem Material in Berührung kommen.
 - (2) Der Akkublock darf nicht in einem Behälter aufbewahrt werden, in dem sich andere metallische Gegenstände wie beispielsweise Nägel, Münzen usw. befinden.
 - (3) Der Akkublock darf weder Feuchtigkeit noch Regen ausgesetzt werden.

Ein Kurzschluss des Akkus kann zu hohem Kriechstrom, Überhitzung, möglichen Verbrennungen und sogar zu einer Zerstörung des Werkzeugs führen.
6. Werkzeug und Akkublock dürfen nicht an Orten aufbewahrt werden, an denen Temperaturen von 50°C oder darüber erreicht werden können.
7. Beschädigte oder verbrauchte Akkus dürfen nicht verbrannt werden. Der Akkublock kann in den Flammen explodieren.
8. Lassen Sie den Akku nicht fallen und vermeiden Sie Schläge gegen den Akku.
9. Verwenden Sie niemals einen beschädigten Akku.
10. Befolgen Sie die in Ihrem Land geltenden Bestimmungen bzgl. der Entsorgung von Akkus.

BEWAHREN SIE DIESE ANLEITUNG SORGFÄLTIG AUF.

Tipps für eine maximale Nutzungsdauer von Akkus

1. Laden Sie den Akkublock auf, bevor der Akku vollständig entladen ist. Sobald Sie eine verringerte Leistung des Werkzeugs bemerken, beenden Sie stets den Betrieb des Werkzeugs und laden Sie den Akkublock auf.
2. Ein voll aufgeladener Akkublock darf niemals erneut geladen werden. Durch Überladungen wird die Lebensdauer des Akkus verkürzt.
3. Laden Sie den Akkublock bei einer Zimmertemperatur von 10°C bis 40°C auf. Lassen Sie einen heißen Akkublock vor dem Aufladen abkühlen.
4. Laden Sie den Akkublock aller sechs Monate auf, wenn Sie diesen für längere Zeit nicht verwenden.

FUNKTIONSBESCHREIBUNG

VORSICHT:

- Schalten Sie das Werkzeug stets aus und entfernen Sie den Akkublock, bevor Sie Einstellungen oder eine Funktionsprüfung des Werkzeugs vornehmen.

Einsetzen und Entfernen des Akkublocks (Abb. 1)

- Schalten Sie das Werkzeug stets aus, bevor Sie den Akkublock einsetzen oder entfernen.

- Zur Entfernung des Akkublocks müssen Sie diesen aus dem Werkzeug herauschieben, während Sie die Taste auf der Vorderseite des Blocks schieben.
- Zum Einsetzen des Akkublocks müssen Sie die Zunge des Akkublocks an der Rille im Gehäuse ausrichten und in die gewünschte Position schieben. Setzen Sie den Block immer ganz ein, bis er mit einem Klick einrastet. Wenn Sie den roten Bereich oben auf der Taste sehen können, ist der Block nicht ganz eingerastet. Setzen Sie den Akkublock ganz ein, bis der rote Bereich nicht mehr zu sehen ist. Andernfalls kann der Block versehentlich aus dem Werkzeug fallen und Sie oder Personen in der Nähe verletzen.
- Wenden Sie beim Einsetzen des Akkublocks keine Gewalt an. Wenn der Block nicht leicht hineingleitet, wird er nicht richtig eingesetzt.

Akku-Schutzsystem (Akkublock mit einer Sternmarkierung) (Abb. 2)

Akkublocke mit einer Sternmarkierung sind mit einem Schutzsystem ausgestattet, das den Akkublock automatisch ausschaltet und so für eine längere Lebenszeit des Akkus sorgt.

In den unten aufgeführten Situationen des Werkzeugs und/oder des Akkus stoppt das Werkzeug während des Betriebs. Dies geschieht aufgrund der Aktivierung des Schutzsystems und stellt keine Fehlfunktion dar.

- Bei Überlastung des Werkzeugs:
Lassen Sie den Ein/Aus-Schalter los, entfernen Sie den Akku-Block und beheben Sie die Ursachen der Überlastung; betätigen Sie zum Neustarten anschließend den Ein/Aus-Schalter.
- Wenn der Akkublock zu heiß wird:
Der Motor bleibt trotz Betätigung des Ein/Aus-Schalters ausgeschaltet. Lassen Sie in dieser Situation das Werkzeug abkühlen, oder entnehmen Sie den Akkublock aus dem Werkzeug und laden Sie den Akkublock auf.
- Wenn die verbleibende Akkuladung zu niedrig wird:
Der Motor bleibt trotz Betätigung des Ein/Aus-Schalters ausgeschaltet. Nehmen Sie spätestens jetzt den Akkublock aus dem Gerät und laden Sie den Akku auf.

Einstellen der Schnitttiefe (Abb. 3)

Die Schnitttiefe kann einfach durch Drehen des Knopfes an der Vorderseite des Werkzeugs eingestellt werden, bis der Zeiger auf der gewünschten Schnitttiefe steht.

Bedienung des Schalters (Abb. 4)

⚠ VORSICHT:

- Achten Sie vor dem Einsetzen des Akkublocks in das Werkzeug darauf, dass sich der Ein/Aus-Schalter korrekt bedienen lässt und beim Loslassen in die Position „OFF“ (AUS) zurückkehrt.
- Betätigen Sie niemals mit Gewalt die Auslöseschaltung, ohne dabei den Entsperrhebel zu drücken. Dies kann zu einer Beschädigung des Schalters führen.

Um die versehentliche Betätigung des Ein/Aus-Schalters zu verhindern, ist das Werkzeug mit einer Einschaltsperrung ausgestattet. Um das Werkzeug zu starten, schieben Sie den Entsperrhebel und betätigen Sie den Ein/Aus-

Schalter. Lassen Sie zum Ausschalten des Werkzeugs den Ein/Aus-Schalter los.

⚠ WARNUNG:

- Zu Ihrer Sicherheit ist das vorliegende Werkzeug mit einem Entriegelungshebel ausgestattet, um zu verhindern, dass das Werkzeug versehentlich gestartet wird. Verwenden Sie das Werkzeug NIEMALS, wenn es durch einfaches Betätigen des Ein/Aus-Schalters startet, ohne dass Sie dabei den Entsperrhebel drücken. Geben Sie VOR dem weiteren Gebrauch das Werkzeug an ein MAKITA Servicecenter, um es dort ordnungsgemäß reparieren zu lassen.
- Kleben Sie NIEMALS den Entsperrhebel zu oder verändern Sie diesen, so dass er seinen Zweck und seine Funktion nicht mehr erfüllt.

Damit der Ein/Aus-Schalter nicht versehentlich betätigt wird, verfügt das Werkzeug über eine Arretiertaste. Um das Werkzeug zu starten, drücken Sie zuerst die Arretiertaste und betätigen Sie dann den Ein-/Aus-Schalter. Lassen Sie zum Ausschalten des Werkzeugs den Ein/Aus-Schalter los.

Fuß (Abb. 5)

Wenn Sie nach einem Schnittvorgang die hintere Seite des Werkzeugs anheben, schiebt sich ein Fuß unter die Fläche der hinteren Sohle. Auf diese Weise wird eine Beschädigung der Werkzeugmesser verhindert.

ZUSAMMENBAU

⚠ VORSICHT:

- Schalten Sie das Werkzeug stets aus und entfernen Sie den Akkublock, bevor Sie Arbeiten am Werkzeug ausführen.

Montage und Demontage der Hobelmesser

⚠ VORSICHT:

- Ziehen Sie die Bolzen zur Messerbefestigung beim Anbringen der Messer am Werkzeug fest an. Ein locker sitzender Befestigungsbolzen kann gefährlich sein. Überprüfen Sie stets, ob die Bolzen fest sitzen.
- Gehen Sie sehr sorgfältig mit den Messern um. Schützen Sie Ihre Finger bzw. Hände beim Demontieren oder Montieren der Messer mit Handschuhen oder Lappen.
- Verwenden Sie nur den Schraubenschlüssel von Makita zum Demontieren oder Montieren der Messer. Andernfalls kann es vorkommen, dass Sie die Befestigungsbolzen zu fest oder zu locker anziehen. Dies kann zu Verletzungen führen.

Für Werkzeuge mit herkömmlichen Hobelmessern (Abb. 6 - 8)

Lösen Sie zur Demontage der Messer an der Hobelwelle die Befestigungsbolzen mit dem Steckschlüssel. Die Druckplatte löst sich gemeinsam mit den Messern. Säubern Sie vor der Montage der Messer zunächst die Hobelwelle und Messer von anhaftenden Spänen und sonstigem Fremdmaterial. Verwenden Sie Messer mit identischen Maßen und Gewichten, da andernfalls Schwingungen/Vibrationen an der Hobelwelle auftreten,

die zu einer mangelhaften Hobelleistung und letztendlich zu einem Ausfall des Werkzeugs führen.

Positionieren Sie das Messer so auf dem Messsockel, dass die Messerkante mit der Innenkante der Messplatte bündig ist. Positionieren Sie die Einstellplatte am Messer, und drücken Sie dann einfach den Absatz der Einstellplatte eng an die Rückseite des Messsockels an, und ziehen Sie die beiden Schrauben an der Einstellplatte an. Schieben Sie jetzt den Absatz der Einstellplatte in die Nut der Hobelwelle, und montieren Sie dann die Druckplatte darauf. Ziehen Sie alle Befestigungsbolzen gleichmäßig und wechselweise mit dem Steckschlüssel an.

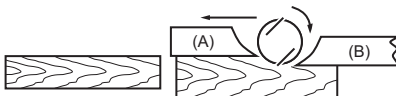
Wiederholen Sie die obigen Vorgehensweisen für das andere Messer.

Für Werkzeuge mit Mini-Hobelmessern (Abb. 9)

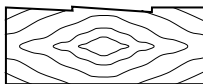
1. Entfernen Sie das vorhandene Messer. Falls das Werkzeug in Betrieb war, reinigen Sie die Oberflächen der Hobelwelle sowie die Druckplatte sorgfältig. Lösen Sie zur Demontage der Messer an der Hobelwelle die drei Befestigungsbolzen mit dem Steckschlüssel. Die Druckplatte löst sich gemeinsam mit den Messern. (Abb. 10)
2. Zur Montage der Messer müssen Sie die Einstellplatte mit den Flachkopfschrauben lose an der Feststellplatte befestigen und das Wendemesser so auf den Messsockel setzen, dass die Schnittkante des Messers mit der Innenflanke der Messplatte bündig ist.
3. Setzen Sie die Einstell-/Feststellplatte so auf den Messsockel, dass die Positionierhilfen für das Hobelmesser auf der Feststellplatte in der Rille des Wendemessers sitzen, und drücken Sie dann den Absatz der Einstellplatte bündig an die Rückseite des Messsockels, und ziehen Sie die Flachkopfschrauben an.
4. Das Messer muss unbedingt bündig an der Innenflanke der Messplatte ausgerichtet sein.

- (A) Vordere Sohle (Beweglicher Schuh)
(B) Hintere Sohle (Unbeweglicher Schuh)

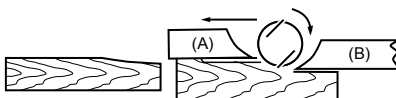
Richtige Einstellung



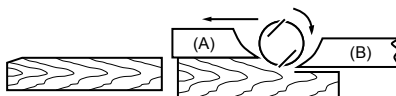
Kerben in der Oberfläche



Furchen am Anfang



Furchen am Ende



Außerdem ist es wichtig, dass die Positionierhilfen für das Hobelmesser in der Messerrille sitzen und der Absatz der Einstellplatte bündig an der Rückseite des Messsockels ausgerichtet ist. Überprüfen Sie diese Positionen sorgfältig, damit ein gleichmäßiger Schnittvorgang gewährleistet ist.

5. Schieben Sie den Absatz der Einstellplatte in die Rille der Hobelwelle. (Abb. 11)
6. Setzen Sie die Druckplatte über die Einstell-/Feststellplatte, und schrauben Sie die drei Sechskantflanschschrauben so fest, dass zwischen Hobelwelle und Feststellplatte ein Abstand besteht, um das Wendemesser in die richtige Position zu bringen. Das Messer wird über die Positionierhilfen für das Hobelmesser auf der Feststellplatte positioniert.
7. Die Längeneinstellung des Messers muss manuell erfolgen, dass die Messerkanten frei liegen und jeweils den gleichen Abstand zum Gehäuse auf der einen Seite und der Metallklammer auf der anderen Seite haben.
8. Ziehen Sie (mit dem mitgelieferten Steckschlüssel) die drei Sechskantflanschschrauben an, und drehen Sie die Hobelwelle, um die Abstände zwischen den Messerkanten und dem Werkzeugkörper zu überprüfen.
9. Überprüfen Sie noch einmal, ob die drei Sechskantflanschschrauben fest sitzen.
10. Wiederholen Sie die Vorgehensweisen 1 bis 9 für das andere Messer.

Richtige Einstellung des Hobelmessers

Wenn das Messer nicht richtig und fest sitzt, ist Ihre Hobelfläche nach der Bearbeitung rau und uneben. Das Messer muss so montiert werden, dass die Schnittkante absolut gleich verläuft, also parallel zur Fläche der hinteren Sohle.

Nachfolgend finden Sie einige Beispiele für richtige und falsche Einstellungen.

In dieser Seitenansicht ist es zwar nicht ersichtlich, die Kanten der Messer verlaufen jedoch genau parallel zur Fläche der hinteren Sohle.

Ursache: Die Kanten eines oder beider Messer verlaufen nicht parallel zur Führung der hinteren Sohle.

Ursache: Die Kanten eines oder beider Messer stehen nicht weit genug über die Führung der hinteren Sohle.

Ursache: Die Kanten eines oder beider Messer stehen zu weit über die Führung der hinteren Sohle.

Staubbeutel (Zubehör) (Abb. 12)

Für Werkzeug ohne Düse

Entfernen Sie den Spanfänger und installieren Sie die Düse (Sonderzubehör). Bringen Sie den Staubbeutel an der Düse an. Die Düse ist spitz zulaufend. Drücken Sie den Staubbeutel beim Anschließen bis zum Anschlag auf die Düse, damit er sich während des Betriebs nicht löst.

Für Werkzeug mit Düse

Bringen Sie den Staubbeutel an der Düse an. Die Düse ist spitz zulaufend. Drücken Sie den Staubbeutel beim Anschließen bis zum Anschlag auf die Düse, damit er sich während des Betriebs nicht löst. **(Abb. 13)**
Wenn der Staubbeutel etwa halb voll ist, sollten Sie ihn vom Werkzeug entfernen und den Verschluss herausziehen. Leeren Sie den Inhalt des Staubbeutels, und schnippen Sie leicht dagegen, damit sich Partikel lösen, die möglicherweise an der Innenseite haften und eine weitere Sammlung behindern können.

HINWEIS:

- Wenn Sie einen Makita-Staubsauger an das Werkzeug anschließen, können Sie effizienter und sauberer arbeiten.

Anschließen eines Staubsaugers (Abb. 14)

Für Werkzeug ohne Düse

Für größere Sauberkeit bei der Arbeit schließen Sie einen Makita-Staubsauger an Ihr Werkzeug an. Entfernen Sie vor dem Anschließen des Staubsaugers den Spanfänger vom Werkzeug. Schließen Sie dann den Schlauch des Staubsaugers an die Düse (Sonderzubehör) an, wie in der Abbildung dargestellt.

Für Werkzeug mit Düse

Für größere Sauberkeit bei der Arbeit schließen Sie einen Makita-Staubsauger an Ihr Werkzeug an. Schließen Sie dann den Schlauch des Staubsaugers an die Düse an, wie in der Abbildung dargestellt.

Bogenrohr (optionales Zubehör) (Abb. 15)

Mit Hilfe eines Bogenrohrs kann die Richtung des Spanauswurfs geändert und somit eine erhöhte Sauberkeit bei der Arbeit erzielt werden.

Für Werkzeug ohne Düse

Entfernen Sie den Spanfänger und installieren Sie die Düse (Sonderzubehör). Befestigen Sie das Bogenrohr (Sonderzubehör) an der Düse des Werkzeugs, indem Sie es einfach aufstecken. Zur Entfernung muss es lediglich herausgezogen werden.

Für Werkzeug mit Düse

Befestigen Sie das Bogenrohr (Sonderzubehör) an der Düse des Werkzeugs, indem Sie es einfach aufstecken. Zur Entfernung muss es lediglich herausgezogen werden.

BETRIEB

Halten Sie das Werkzeug mit einer Hand am Knauf und mit der anderen am Schaltergriff fest, wenn Sie mit dem Werkzeug arbeiten.

Hobelbetrieb (Abb. 16)

Setzen Sie zuerst die vordere Hobelsohle flach auf das Werkstück, ohne dass die Hobelmesser irgendwelchen Kontakt haben. Schalten Sie das Werkzeug ein, und warten Sie, bis die Messer ihre volle Drehzahl erreicht haben. Schieben Sie dann das Werkzeug langsam vorwärts. Üben Sie am Anfang des Hobelvorgangs Druck auf die vordere Hobelsohle, und am Ende des Hobelvorgangs Druck auf die hintere Hobelsohle aus. Das Hobeln kann durch schräges Einspannen des Werkstücks erleichtert werden, so dass Sie leicht abwärts hobeln können.

Vorschubgeschwindigkeit und Schnitttiefe bestimmen die Oberflächengüte. Der Elektrohobel hält eine Messerdrehzahl aufrecht, die gewährleistet, dass Holzspäne keine Blockierung verursachen. Für einen Grobschnitt kann die Schnitttiefe vergrößert werden, während für eine hohe Oberflächengüte die Schnitttiefe reduziert und das Werkzeug langsamer vorgeschoben werden sollte.

Falzen (Abb. 17)

Für einen Stufenschnitt (siehe Abbildung) verwenden Sie den Parallelanschlag (Führungsschiene), den Sie als Zubehör erhalten. **(Abb. 18)**

Zeichnen Sie eine Schnittlinie auf dem Werkstück an. Setzen Sie den Parallelanschlag in die Öffnung an der Vorderseite des Werkzeugs ein. Richten Sie die Messerkante an der Schnittlinie aus. **(Abb. 19)**

Stellen Sie den Parallelanschlag ein, bis er an der Seitenkante des Werkstücks anliegt, und sichern Sie ihn mit der Schraube. **(Abb. 20)**

Achten Sie beim Hobeln darauf, dass der Parallelanschlag eng an der Seitenkante des Werkstücks anliegt. Andernfalls erhalten Sie möglicherweise ein ungleichmäßiges Bearbeitungsergebnis.

Die maximale Falztiefe beträgt 9 mm. **(Abb. 21)**

Der Parallelanschlag lässt sich durch eine Holzleiste verlängern. Zur Befestigung dieser Holzleiste bzw. einer (separat erhältlichen) Verlängerungsführung dienen die im Parallelanschlag vorhandenen Bohrungen.

Anfasen (Abb. 22 und 23)

Um einen Anfasungsschnitt wie in der Abbildung auszuführen, richten Sie die „V“-Nut im vorderen Gleitschuh an der Werkstückkante aus, und führen dann den Hobel.

WARTUNG

⚠ VORSICHT:

- Schalten Sie das Werkzeug stets aus und ziehen Sie den Akkublock ab, bevor Sie Inspektionen oder Wartungsarbeiten am Werkzeug vornehmen.
- Verwenden Sie zum Reinigen niemals Kraftstoffe, Benzin, Verdünner, Alkohol oder ähnliches. Dies kann zu Verfärbungen, Verformungen oder Rissen führen.

Schleifen der Hobelmesser

Nur für herkömmliche Messer (Abb. 24)

Achten Sie stets auf scharfe Messer, damit ein optimales Ergebnis erzielt werden kann. Entfernen Sie mit Hilfe der Schleifvorrichtung (Sonderzubehör) Kerben, und schleifen Sie eine feine Kante. **(Abb. 25)**

Lösen Sie zunächst die beiden Flügelmuttern an der Haltevorrichtung, und setzen Sie die Messer (A) und (B) so ein, dass sie die Seiten (C) und (D) berühren. Ziehen Sie dann die Flügelmuttern an. **(Abb. 26)**
 Tauchen Sie den Schleifstein vor dem Schleifen 2 oder 3 Minuten in Wasser. Halten Sie die Vorrichtung so, dass beide Messer den Schleifstein berühren. So werden die Messer gleichzeitig im gleichen Winkel geschliffen.

Ersetzen der Kohlebürsten (Abb. 27)

Entfernen und überprüfen Sie die Kohlebürsten in regelmäßigen Abständen. Wenn die Kohlebürsten bis zur Verschleißgrenze abgenutzt sind, müssen die Kohlebürsten durch neue ersetzt werden. Halten Sie die Kohlebürsten sauber und sorgen Sie dafür, dass die Bürsten locker in den Halterungen gleiten. Ersetzen Sie immer beide Kohlebürsten gleichzeitig. Verwenden Sie nur identische Kohlebürsten. **(Abb. 28 und 29)**

Entfernen Sie den Spanfänger oder Düse mit Hilfe eines Schraubendrehers. **(Abb. 30)**
 Nehmen Sie die Kappen der Bürstenhalter mit Hilfe eines Schraubendrehers ab. Entnehmen Sie die verbrauchten Kohlebürsten, setzen Sie neue Bürsten ein und bringen Sie die Bürstenhalterkappen wieder fest an.
 Zur Gewährleistung von SICHERHEIT und ZUVERLÄSSIGKEIT des Produkts sollten Reparaturen, Wartungsarbeiten und Einstellungen nur durch von Makita autorisierte Servicecenter durchgeführt und ausschließlich Makita-Ersatzteile verwendet werden.

SONDERZUBEHÖR

⚠️ ACHTUNG:

- Für das in diesem Handbuch beschriebene Makita-Gerät werden die folgenden Zubehör- und Zusatzteile empfohlen. Bei Verwendung anderer Zubehör- und Zusatzteile kann es zu Verletzungen kommen. Verwenden Sie Zubehör- und Zusatzteile nur für den vorgesehenen Zweck.

Informationen zu diesem Zubehör erhalten Sie von Ihrem Makita-Servicecenter.

- Hobelmesser aus Schnellarbeitsstahl (HSS)
- Hobelmesser aus Wolframkarbid (für eine längere Lebensdauer des Messers)
- Wendemesser
- Schleifvorrichtungssatz
- Messerstärken-Set
- Feststellplatten-Set
- Parallelanschlag (Führungslineal)
- Führungsschienen-Verlängerungssatz
- Schleifstein
- Düse
- Staubbeutel-Set
- Bogenrohr
- Steckschlüssel
- Kunststoff-Tragekoffer
- Verschiedene Arten von originalen Akkus und Ladegeräten von Makita

HINWEIS:

- Einige der in der Liste aufgeführten Elemente sind dem Werkzeugpaket als Standardzubehör beigelegt. Diese können in den einzelnen Ländern voneinander abweichen.

Schallpegel

ENG905-1

Typischer A-bewerteter Schallpegel nach EN60745:

Modell DKP140

Schalldruckpegel (L_{pA}): 80 dB (A)

Abweichung (K): 3 dB (A)

Unter Arbeitsbedingungen kann der Schalldruck 80 dB (A) überschreiten.

Modell DKP180

Schalldruckpegel (L_{pA}): 84 dB (A)

Schallleistungspegel (L_{WA}): 95 dB (A)

Abweichung (K): 3 dB (A)

Tragen Sie Gehörschutz.

Schwingung

ENG900-1

Schwingungsgesamtwerte (Vektorsumme dreier Achsen) nach EN60745:

Modell DKP140

Arbeitsmodus: Hobeln von Weichholz

Schwingungsbelastung (a_{hV}): 3,5 m/s²

Abweichung (K): 1,5 m/s²

Modell DKP180

Arbeitsmodus: Hobeln von Weichholz

Schwingungsbelastung (a_{hV}): 4,5 m/s²

Abweichung (K): 1,5 m/s²

ENG901-1

- Der hier angegebene Wert für die erzeugten Schwingungen wurde gemäß dem genormten Testverfahren ermittelt und kann als Vergleich zu anderen Werkzeugen herangezogen werden.
- Der angegebene Wert für die erzeugten Schwingungen ist außerdem für eine vorbeugende Bewertung der Belastung zu verwenden.

⚠️ WARNUNG:

- Die Schwingungsbelastung kann bei tatsächlichem Gebrauch des Elektrowerkzeugs in Abhängigkeit von der Handhabung des Elektrowerkzeugs von dem hier aufgeführten Wert abweichen.
- Stellen Sie sicher, dass Schutzmaßnahmen für den Bediener getroffen werden, die auf den unter den tatsächlichen Arbeitsbedingungen zu erwartenden Belastungen beruhen (beziehen Sie alle Bestandteile des Arbeitsablaufs ein, also zusätzlich zu den Arbeitszeiten auch Zeiten, in denen das Werkzeug ausgeschaltet ist oder ohne Last läuft).

Nur für europäische Länder

ENH101-16

EG-Konformitätserklärung

Wir, Makita Corporation als verantwortlicher Hersteller, erklären, dass die folgende(n) Maschine(n) der Marke Makita:

Bezeichnung der Maschine(n):

Akku-Hobel

Nummer/Typ des Modells: DKP140, DKP180

in Serienfertigung hergestellt wird/werden und

den folgenden Richtlinien der Europäischen Union genügt/genügen:

2006/42/EG

Außerdem werden die Maschinen gemäß den folgenden Standards oder Normen gefertigt:

EN60745

Die technische Dokumentation erfolgt durch:
Makita International Europe Ltd.
Technical Department,
Michigan Drive, Tongwell,
Milton Keynes, Bucks MK15 8JD, England

06. 06. 2013



Tomoyasu Kato
Direktor
Makita Corporation
3-11-8, Sumiyoshi-cho,
Anjo, Aichi, 446-8502, JAPAN

ITALIANO (Istruzioni originali)

Spiegazione della vista generale

- | | | |
|--|---|---|
| 1. Pulsante | 21. Bordo della lama | 37. Sacchetto raccogli-polvere |
| 2. Indicatore rosso | 22. Viti | 38. Dispositivo di fissaggio |
| 3. Batteria | 23. Fondo | 39. Gomito |
| 4. Indicatore a stella | 24. Lato posteriore della base di misurazione | 40. Inizio |
| 5. Indicatore di misura | 25. Piastra di misurazione | 41. Fine |
| 6. Manopola | 26. Base di misurazione | 42. Linea di taglio |
| 7. Sicura di accensione | 27. Vite con testa troncoconica | 43. Vite |
| 8. Interruttore di accensione | 28. Alette di posizionamento della lama della piallatrice | 44. Guida laterale (accessorio opzionale) |
| 9. Lama della piallatrice | 29. Fondo della piastra di regolazione | 45. Supporto per affilatura |
| 10. Base posteriore | 30. Piastra di fissaggio | 46. Dado ad alette |
| 11. Piedino | 31. Fianco interno della piastra di misurazione | 47. Lama (A) |
| 12. Chiave a tubo | 32. Lato posteriore della base di misurazione | 48. Lama (B) |
| 13. Bullone | 33. Mini lama della piallatrice | 49. Lato (D) |
| 14. Allentare | 34. Scanalatura | 50. Lato (C) |
| 15. Serrare | 35. Bulloni a testa esagonale flangiata | 51. Indicatore di limite |
| 16. Bulloni | 36. Ugello | 52. Paratrucoli |
| 17. Tamburo | | 53. Cacciavite |
| 18. Coperchio del tamburo | | 54. Coperchio del portaspazzola |
| 19. Piastra di regolazione | | |
| 20. Bordo interno della piastra di misurazione | | |

CARATTERISTICHE TECNICHE

Modello	DKP140	DKP180
Larghezza di piallatura	82 mm	
Profondità di piallatura	1,6 mm	2 mm
Profondità di scanalatura	9 mm	
Velocità a vuoto (min ⁻¹)	15.000	
Lunghezza complessiva	329 mm	333 mm
Peso netto	3,3 kg	3,4 kg
Tensione nominale	14,4 V CC	18 V CC

- Le caratteristiche tecniche riportate di seguito sono soggette a modifiche senza preavviso in virtù del nostro programma continuo di ricerca e sviluppo.
- Le caratteristiche tecniche e le batterie possono differire da paese a paese.
- Peso, comprensivo di batterie, calcolato in base alla Procedura EPTA 01/2003

Uso previsto

ENE001-1

L'utensile è progettato per la piallatura del legno.

Avvertenze generali di sicurezza per l'uso dell'utensile

GEA010-1

⚠ AVVERTENZA Leggere attentamente tutte le avvertenze di sicurezza e le istruzioni. La mancata osservanza delle istruzioni e delle avvertenze riportate di seguito potrebbe provocare scosse elettriche, incendi e/o lesioni gravi.

Conservare le avvertenze e le istruzioni per riferimenti futuri.

AVVERTENZE SULLA SICUREZZA DELLA PIALLATRICE A BATTERIA

GEB064-2

1. **Attendere l'arresto del tagliente prima di riporre l'utensile.** Una lama da taglio rotante esposta potrebbe agganciare la superficie, con potenziale perdita di controllo dell'utensile e gravi lesioni personali.
2. **Fissare e sostenere il pezzo in lavorazione su una superficie stabile utilizzando morsetti o metodi analoghi.** Non sorreggere il pezzo in lavorazione con le mani o contro il corpo, poiché si potrebbe ridurre la stabilità e provocare una perdita di controllo.
3. **Liberare l'area di lavoro da tappeti, tessuti, corde e simili.**
4. **Evitare di tagliare chiodi. Prima della sessione di lavoro, controllare e rimuovere tutti i chiodi dal pezzo in lavorazione.**
5. **Utilizzare solo lame affilate. Maneggiare le lame con estrema cautela.**

6. Prima di iniziare il lavoro assicurarsi che i bulloni di fissaggio della lama siano ben stretti.
7. Tenere saldamente l'utensile con entrambe le mani.
8. Tenere le mani lontano dalle parti rotanti.
9. Prima di usare l'utensile, lasciarlo funzionare a vuoto per qualche minuto. Prestare attenzione a vibrazioni e oscillazioni che potrebbero indicare difetti di installazione o che la lama è mal bilanciata.
10. Verificare che la lama non tocchi il pezzo in lavorazione prima che l'interruttore sia acceso.
11. Attendere che la lama raggiunga la velocità massima prima di iniziare le operazioni di taglio.
12. Prima di qualunque operazione di manutenzione spegnere l'utensile e attendere che le lame si siano arrestate completamente.
13. Non inserire le dita nell'apertura di scarico dei trucioli. Durante il taglio di legno umido possono verificarsi inceppamenti di tale apertura. Eliminare i trucioli servendosi di un bastoncino.
14. Non lasciare l'utensile acceso. Azionare l'utensile solo dopo averlo impugnato.
15. Sostituire sempre entrambe le lame o le coperture del tamburo, per evitare sbilanciamenti che possono causare vibrazioni e una minore durata dell'utensile.
16. Usare soltanto le lame Makita specificate in questo manuale.
17. Usare sempre una maschera antipolvere e/o il respiratore appropriati al materiale e all'applicazione.

CONSERVARE QUESTE ISTRUZIONI.

AVVERTENZA:

NON lasciare che la familiarità acquisita con il prodotto (dovuta all'uso ripetuto) provochi l'inosservanza delle norme di sicurezza.

L'USO IMPROPRIO o la mancata osservanza delle norme di sicurezza indicate in questo manuale di istruzioni possono provocare gravi danni alla persona.

ISTRUZIONI IMPORTANTI PER LA SICUREZZA

ENC007-8

RELATIVE ALLA BATTERIA

1. Prima di utilizzare la batteria, leggere tutte le istruzioni e gli avvisi di sicurezza relativi a (1) caricabatteria, (2) batteria e (3) prodotto utilizzato con la batteria.
2. **Non smontare la batteria.**
3. **Se il tempo di funzionamento è diventato eccessivamente breve, non utilizzare l'utensile. Potrebbero verificarsi surriscaldamenti, ustioni o esplosioni.**
4. **In caso di contatto dell'elettrolita della batteria con gli occhi, sciacquare con acqua fresca e rivolgersi immediatamente a un medico. Potrebbero**

verificarsi danni permanenti alla funzionalità visiva.

5. Non cortocircuitare la batteria:

- (1) **Non toccare i terminali della batteria con materiale in grado di condurre elettricità.**
- (2) **Evitare di conservare la batteria a contatto con oggetti metallici quali chiodi, monete e così via.**
- (3) **Non esporre le batterie all'acqua o alla pioggia.**

Un cortocircuito può provocare un elevato flusso di corrente, surriscaldamento, ustioni o rotture.

6. **Non conservare l'utensile e la batteria a una temperatura superiore a 50 °C.**
7. **Evitare di smaltire le batterie danneggiate o esaurite bruciandole. Se esposte al fuoco, le batterie possono esplodere.**
8. **Evitare di far cadere o di colpire la batteria.**
9. **Non utilizzare batterie danneggiate.**
10. **Attenersi alle normative della propria area geografica relative allo smaltimento delle batterie.**

CONSERVARE QUESTE ISTRUZIONI.

Suggerimenti il prolungamento della durata della batteria

1. **Caricare le batterie prima di scaricarle completamente.**
Se si nota una diminuzione di potenza dell'utensile, interrompere il lavoro e ricaricare la batteria.
2. **Non ricaricare una batteria già completamente carica.**
In caso contrario, la durata operativa della batteria potrebbe ridursi.
3. **Caricare la batteria in ambienti con temperatura compresa tra 10 °C e 40 °C.** Prima di caricare una batteria surriscaldata, lasciarla raffreddare.
4. **Caricare la batteria una volta ogni sei mesi se l'utensile rimane inutilizzato per lungo tempo.**

DESCRIZIONE FUNZIONALE

ATTENZIONE:

- Prima di regolare o controllare le funzioni dell'utensile, verificare sempre di averlo spento e di aver rimosso la batteria.

Installazione o rimozione della batteria (Fig. 1)

- Spegner sempre l'utensile prima di installare o rimuovere la batteria.
- Per rimuovere la batteria, estrarla dall'utensile facendo scorrere il pulsante nella parte anteriore della batteria
- Per inserire la batteria, allineare la linguetta sulla batteria con la scanalatura nell'alloggiamento e farla scorrere fino a raggiungere la posizione corretta. Inserire sempre la batteria fino a quando non si blocca in posizione con uno scatto. Se l'indicatore rosso sul lato superiore del pulsante è ancora visibile, la batteria non è completamente inserita. Inserirla fino a quando l'indicatore rosso non è più visibile. In caso contrario

- potrebbe fuoriuscire accidentalmente dall'utensile e provocare infortuni all'operatore o a eventuali osservatori.
- Non esercitare una forza eccessiva durante l'inserimento della batteria. Se la batteria non scorre agevolmente, la manovra di inserimento non è corretta.

Sistema di protezione della batteria (batteria con indicatore a stella) (Fig. 2)

La batteria con l'indicatore a stella è dotata di un sistema di protezione che interrompe automaticamente il flusso di corrente per garantirne una maggiore durata.

Se l'utensile e/o la batteria vengono utilizzati nelle situazioni indicate di seguito, l'utensile potrebbe arrestarsi durante il funzionamento. Questo comportamento è causato dall'attivazione del sistema di protezione e non deve essere considerato come un problema di funzionamento.

- Quando l'utensile è in sovraccarico:
Rilasciare l'interruttore di accensione, rimuovere la batteria e risolvere le cause del sovraccarico, quindi azionare di nuovo l'interruttore di accensione per riavviare l'utensile.
- Quando le celle della batteria si surriscaldano:
Se viene azionato l'interruttore di accensione, il motore resta fermo. Smettere di utilizzare l'utensile e lasciarlo raffreddare, oppure caricare la batteria dopo averla rimossa dall'utensile.
- Quando la capacità residua della batteria è ridotta:
Se viene azionato l'interruttore di accensione, il motore resta fermo. Rimuovere la batteria dall'utensile e caricarla.

Regolazione della profondità di taglio (Fig. 3)

La profondità di taglio può essere regolata semplicemente ruotando la manopola posta nella parte anteriore dell'utensile, in modo che l'indicatore di misura sia in corrispondenza della profondità di taglio desiderata.

Azionamento dell'interruttore (Fig. 4)

⚠ ATTENZIONE:

- Prima di inserire la batteria nell'utensile, controllare se l'interruttore di accensione funziona correttamente e ritorna alla posizione "OFF" una volta rilasciato.
- Non tirare con forza l'interruttore di accensione senza aver prima premuto la sicura di accensione. In caso contrario, l'interruttore potrebbe rompersi.

La sicura di accensione consente di evitare l'azionamento involontario dell'interruttore di accensione. Per avviare l'utensile, far scorrere la sicura di accensione e tirare l'interruttore di accensione. Per spegnere l'utensile, rilasciare l'interruttore di accensione.

⚠ AVVERTENZA:

- Per la sicurezza personale, questo utensile è dotato di una sicura di accensione che ne impedisce l'azionamento accidentale. NON utilizzare l'utensile se è possibile azionarlo semplicemente tirando l'interruttore di accensione senza premere la relativa sicura. PRIMA di utilizzare nuovamente l'utensile, rivolgersi a un centro di assistenza MAKITA per le necessarie riparazioni.

- NON tentare di manomettere o di vanificare lo scopo e la funzione della sicura di accensione.

La sicura di accensione consente di evitare l'azionamento involontario dell'interruttore di accensione.

Per accendere l'utensile, premere la sicura di accensione e tirare l'interruttore di accensione. Per spegnere l'utensile, rilasciare l'interruttore di accensione.

Piedino (Fig. 5)

Dopo un'operazione di taglio, sollevare il lato posteriore dell'utensile in modo da far sporgere il piedino al di sotto della base posteriore. Questo comportamento evita il danneggiamento delle lame dell'utensile.

MONTAGGIO

⚠ ATTENZIONE:

- Prima di eseguire qualsiasi operazione sull'utensile, verificare sempre di averlo spento e di aver rimosso la batteria.

Installazione o rimozione delle lame della piallatrice

⚠ ATTENZIONE:

- Serrare con attenzione i bulloni di fissaggio delle lame quando queste vengono montate sull'utensile. L'allentamento dei bulloni può essere pericoloso. Controllare sempre che siano serrati correttamente.
- Maneggiare le lame con estrema cautela. Utilizzare guanti o stracci per proteggere mani e dita durante la rimozione o l'installazione delle lame.
- Per installare o rimuovere le lame utilizzare solo la chiave fornita da Makita. In caso contrario i bulloni di fissaggio potrebbero risultare troppo stretti oppure allentati. Questa situazione può essere causa di infortuni.

Per utensili con lame da piallatrice convenzionali (Fig. 6 - 8)

Per rimuovere le lame dal tamburo, svitare i bulloni di fissaggio con la chiave a tubo. Il coperchio del tamburo si stacca insieme alle lame.

Per installare le lame, eliminare prima tutti i trucioli o i corpi estranei presenti sul tamburo o sulle lame. Utilizzare lame della stessa dimensione e dello stesso peso per evitare vibrazioni e oscillazioni del tamburo, che potrebbero compromettere la qualità del lavoro di piallatura e comportare il danneggiamento dell'utensile.

Posizionare la lama sulla base di misurazione, in modo che il bordo della lama sia perfettamente allineato al bordo interno della piastra di misurazione. Posizionare la piastra di regolazione sulla lama, quindi premere il fondo della piastra di regolazione allineandolo al lato posteriore della base di misurazione e serrare le due viti poste sulla piastra stessa. Infilare ora il fondo della piastra di regolazione nella scanalatura del tamburo, applicando infine il coperchio del tamburo sulla piastra. Serrare tutti i bulloni di fissaggio in modo alternato e con la stessa forza utilizzando la chiave a tubo. Ripetere le procedure indicate per l'altra lama.

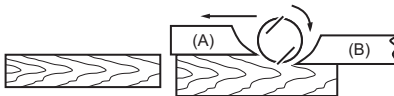
Per utensili con mini lame da piallatrice (Fig. 9)

1. Rimuovere la lama presente. Se l'utensile è stato utilizzato, pulire accuratamente la superficie del

- tamburo e il suo coperchio. Per rimuovere le lame dal tamburo, svitare i tre bulloni di fissaggio con la chiave a tubo. Il coperchio del tamburo si stacca insieme alle lame. **(Fig. 10)**
- Per installare le lame, applicare senza stringere la piastra di regolazione sulla piastra di fissaggio utilizzando le viti con testa troncoconica e posizionare la mini lama da piallatrice sulla base di misurazione, in modo che il tagliente della lama sia perfettamente allineato al fianco interno della piastra di misurazione.
 - Posizionare la piastra di regolazione e la piastra di fissaggio sulla base di misurazione, in modo che le alette di posizionamento della lama della piallatrice rientrino nella scanalatura della mini lama da piallatrice, quindi premere il fondo della piastra di regolazione allineandolo al lato posteriore della base di misurazione, fissandolo con le viti con testa troncoconica.
 - È importante che la lama sia allineata al fianco interno della piastra di misurazione, che le alette di posizionamento della lama della piallatrice siano inserite nella scanalatura della lama e che il fondo della piastra di regolazione sia allineato al lato posteriore della base di misurazione. Controllare attentamente l'allineamento per ottenere un taglio uniforme.
 - Inserire il fondo della piastra di regolazione nella scanalatura del tamburo. **(Fig. 11)**

(A) Base anteriore (pattino regolabile)
 (B) Base posteriore (pattino fisso)

Montaggio corretto



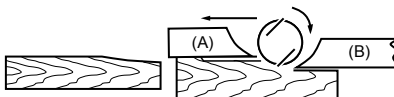
Sebbene non visibili in questa vista laterale, i bordi delle lame sono perfettamente paralleli alla superficie della base posteriore.

Tacche sulla superficie



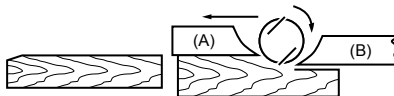
Causa: I bordi di una o entrambe le lame non sono paralleli alla linea di base posteriore.

Irregolarità all'inizio



Causa: I bordi di una o di entrambe le lame non sporgono abbastanza rispetto alla linea di base posteriore.

Incavo alla fine



Causa: I bordi di una o di entrambe le lame sporgono troppo rispetto alla linea di base posteriore.

EN0004-1

Sacchetto raccogli polvere (accessorio) **(Fig. 12)**

Per utensili privi di ugello

Rimuovere i paratrucoli e montare l'ugello (accessorio opzionale). Collegare il sacchetto raccogli polvere all'ugello. L'ugello è rastremato. Per collegare il sacchetto raccogli polvere, spingerlo con forza sull'ugello fino in fondo, in modo che non fuoriesca durante il lavoro.

- Posizionare il coperchio del tamburo sopra la piastra di regolazione e la piastra di fissaggio, quindi avvitare i tre bulloni a testa esagonale flangiata in modo da lasciare uno spazio tra il tamburo e la piastra di fissaggio con cui far scorrere la mini lama della piallatrice in posizione. La lama sarà messa in posizione dalle alette di posizionamento della lama della piallatrice poste sulla piastra di fissaggio.
- La regolazione della lama nel senso della lunghezza dovrà essere eseguita manualmente, in modo che le estremità della lama siano libere ed equidistanti dall'alloggiamento su un lato e dalla staffa metallica sull'altro.
- Serrare i tre bulloni a testa esagonale flangiata (utilizzando la chiave a tubo con dotazione) e ruotare il tamburo per controllare la distanza tra le estremità della lama e il corpo dell'utensile.
- Controllare che i tre bulloni a testa esagonale flangiata siano serrati correttamente.
- Ripetere le procedure da 1 a 9 per l'altra lama.

Per il corretto assetto della lama della piallatrice

Se la lama non è fissata in modo corretto la superficie piallata risulterà ruvida e irregolare. La lama deve essere montata in modo che il tagliente sia assolutamente in piano, cioè parallelo alla superficie della base posteriore. Di seguito sono riportati alcuni esempi di montaggio corretto ed errato.

Per utensili con ugello

Collegare il sacchetto raccogli polvere all'ugello. L'ugello è rastremato. Per collegare il sacchetto raccogli polvere, spingerlo con forza sull'ugello fino in fondo, in modo che non fuoriesca durante il lavoro. **(Fig. 13)**

Rimuovere il sacchetto raccogli polvere dall'utensile quando è pieno per metà, tirando verso l'esterno il dispositivo di fissaggio. Svuotare il sacchetto raccogli polvere scuotendolo leggermente, in modo da

eliminare le particelle aderenti ai lati interni che potrebbero ostacolare il corretto funzionamento.

NOTA:

- Se si collega all'utensile un aspiratore Makita è possibile effettuare operazioni di pulizia più efficaci.

Collegamento di un aspiratore (Fig. 14)

Per utensili privi di ugello

Se si desidera eseguire operazioni di piallatura senza produrre polvere, collegare all'utensile un aspiratore Makita. Prima di collegare l'aspiratore, rimuovere il paratrucioli dall'utensile. Collegare quindi il tubo dell'aspiratore all'ugello (accessorio opzionale), come mostrato nelle figure.

Per utensili con ugello

Se si desidera eseguire operazioni di piallatura senza produrre polvere, collegare all'utensile un aspiratore Makita. Collegare quindi il tubo dell'aspiratore all'ugello, come mostrato nelle figure.

Gomito (accessorio opzionale) (Fig. 15)

Il gomito permette di cambiare la direzione di scarico dei trucioli per un lavoro più pulito.

Per utensili privi di ugello

Rimuovere il paratrucioli e montare l'ugello (accessorio opzionale). Collegare il gomito (accessorio opzionale) all'ugello dell'utensile semplicemente infilandolo sull'utensile stesso. Per rimuoverlo è sufficiente tirarlo verso l'esterno.

Per utensili con ugello

Collegare il gomito (accessorio opzionale) all'ugello dell'utensile semplicemente infilandolo sull'utensile stesso. Per rimuoverlo è sufficiente tirarlo verso l'esterno.

USO

Quando si utilizza l'utensile, tenerlo saldamente posizionando una mano sulla manopola e l'altra sull'impugnatura con l'interruttore.

Operazione di piallatura (Fig. 16)

Appoggiare la base anteriore dell'utensile sulla superficie del pezzo in lavorazione, senza che le lame vengano a contatto con il pezzo. Accendere l'utensile e attendere che le lame raggiungano la massima velocità. Muovere lentamente l'utensile in avanti. Applicare pressione sulla parte anteriore dell'utensile all'inizio della piallatura e sulla parte posteriore alla fine dell'operazione. La piallatura sarà più agevole se il pezzo in lavorazione è fissato in modo che la piallatura avvenga in leggera pendenza. La qualità della finitura è determinata dalla velocità e dalla profondità di taglio. La velocità del lavoro deve essere tale da non provocare accumuli di trucioli. Per un taglio irregolare è possibile aumentare la profondità di taglio, ma per una finitura migliore occorre ridurre la profondità di taglio e procedere più lentamente.

Scanalatura (Fig. 17)

Per effettuare scanalature come quelle mostrate nella figura, utilizzare la guida laterale disponibile come accessorio. (Fig. 18)

Tracciare una linea di taglio sul pezzo in lavorazione. Inserire la guida laterale nell'apposito foro sulla parte anteriore dell'utensile. Allineare il bordo della lama con la linea di taglio. (Fig. 19)

Regolare la guida laterale fino a portarla a contatto con il lato del pezzo in lavorazione, quindi fissarla serrando la vite. (Fig. 20)

Durante la piallatura, muovere l'utensile con la guida laterale allineata al lato del pezzo in lavorazione. In caso contrario si potrebbe ottenere una piallatura non uniforme. La profondità massima della scanalatura è di 9 mm (Fig. 21)

La guida laterale può essere prolungata collegandole un ulteriore pezzo di legno. A tale scopo sono predisposti dei fori, utilizzabili anche per il collegamento di una prolunga (accessorio opzionale).

Smussatura (Fig. 22 e 23)

Per praticare un taglio smussato come quello mostrato nella figura, allineare la scanalatura a "V" nella base anteriore con il bordo del pezzo in lavorazione e procedere alla piallatura.

MANUTENZIONE

⚠ ATTENZIONE:

- Prima di effettuare operazioni di ispezione o manutenzione, verificare sempre di averlo spento e di aver rimosso la batteria.
- Evitare assolutamente di usare benzina, diluenti, solventi, alcol o sostanze simili. In caso contrario, potrebbero verificarsi scoloriture, deformazioni o incrinature.

Affilatura delle lame della piallatrice

Solo per lame convenzionali (Fig. 24)

Per ottenere prestazioni ottimali le lame devono sempre essere affilate. Utilizzare il supporto per affilatura (accessorio opzionale) per rimuovere eventuali smussature e mantenere un bordo tagliente. (Fig. 25) Allentare i due dadi ad alette sul supporto e inserire le lame (A) e (B) in modo che esse siano a contatto con i lati (C) e (D). Serrare quindi i dadi ad alette. (Fig. 26) Immergere la pietra per molatura in acqua per 2 o 3 minuti prima di iniziare l'affilatura. Tenere il supporto in modo che entrambe le lame siano a contatto con la pietra per molatura, in modo da ottenere un'affilatura simultanea con lo stesso angolo.

Sostituzione delle spazzole in carbonio (Fig. 27)

Rimuovere e controllare periodicamente le spazzole in carbonio. Sostituirle quando sono consumate fino al limite indicato. Mantenere le spazzole in carbonio pulite e libere di scivolare nei supporti. Entrambe le spazzole in carbonio devono essere sostituite contemporaneamente. Utilizzare solo spazzole in carbonio identiche. (Fig. 28 e 29)

Utilizzare un cacciavite per rimuovere il paratrucioli o l'ugello. (Fig. 30)

Utilizzare un cacciavite per rimuovere i coperchi dei portaspazzola. Estrarre le spazzole in carbonio

consumate, inserire le nuove spazzole e fissare i coperchi dei portaspazzola.

Per mantenere la SICUREZZA e L’AFFIDABILITÀ del prodotto, le riparazioni e qualsiasi altra operazione di manutenzione o regolazione devono essere eseguite dai centri di assistenza autorizzati Makita, utilizzando sempre parti di ricambio Makita.

ACCESSORI OPZIONALI

⚠ ATTENZIONE:

- Si consiglia l’uso dei seguenti accessori per l’utensile Makita descritto in questo manuale. L’uso di qualsiasi altro accessorio potrebbe provocare lesioni personali. Utilizzare gli accessori esclusivamente per l’uso dichiarato.

Per l’assistenza e per ulteriori informazioni su tali accessori, rivolgersi al centro assistenza Makita di zona.

- Lama per piallatrice in acciaio ad alta velocità
- Lama per piallatrice al carburo di tungsteno (per una maggiore durata della lama)
- Mini lama della piallatrice
- Supporto per affilatura
- Calibro per lame
- Set di piastre di fissaggio
- Guida laterale (righello guida)
- Set di guide di estensione
- Pietra per molatura
- Ugello
- Sacchetto raccogli-polvere
- Gomito
- Chiave a tubo
- Valigetta di trasporto in plastica
- Diversi tipi di batterie e caricabatterie originali Makita

NOTA:

- Alcuni degli accessori elencati potrebbero essere inclusi nella confezione dell’utensile come accessori standard. Gli accessori standard possono differire da paese a paese.

Rumore

ENG905-1

Il tipico livello di rumore ponderato A è determinato in conformità alla norma EN60745:

Modello DKP140

Livello di pressione sonora (L_{pA}): 80 dB (A)

Variazione (K): 3 dB (A)

Il livello acustico in esercizio può superare 80 dB (A).

Modello DKP180

Livello di pressione sonora (L_{pA}): 84 dB (A)

Livello di potenza sonora (L_{WA}): 95 dB (A)

Variazione (K): 3 dB (A)

Indossare una protezione acustica.

Vibrazioni

ENG900-1

Il valore totale delle vibrazioni (somma vettoriale triassiale) è determinato in conformità alla norma EN60745:

Modello DKP140

Modalità di lavoro: piallatura di legno dolce

Emissione di vibrazioni (a_h): 3,5 m/s²

Variazione (K): 1,5 m/s²

Modello DKP180

Modalità di lavoro: piallatura di legno dolce

Emissione di vibrazioni (a_h): 4,5 m/s²

Variazione (K): 1,5 m/s²

ENG901-1

- Il valore di emissione delle vibrazioni dichiarato è stato misurato in conformità con il metodo di test standard e può essere utilizzato per confrontare tra loro diversi utensili.
- Il valore dell’emissione delle vibrazioni dichiarato può anche essere usato per stime preliminari dell’esposizione.

⚠ AVVERTENZA:

- L’emissione delle vibrazioni durante l’uso effettivo dell’utensile elettrico può risultare diversa rispetto al valore dichiarato, in base alla modalità d’uso dell’utensile.
- Assicurarsi di individuare le necessarie misure di sicurezza per proteggere l’operatore in base a una stima dell’esposizione nelle condizioni reali di utilizzo (prendendo in considerazione tutte le fasi del ciclo operativo, come quante volte l’utensile viene spento e i periodi in cui rimane inattivo, oltre al tempo di avviamento).

Solo per i paesi europei

ENH101-16

Dichiarazione di conformità CE

Makita Corporation, in qualità di produttore

responsabile, dichiara che gli utensili Makita indicati di seguito:

Denominazione dell’utensile:

Piallatrice a batteria

N. modello/Tipo: DKP140, DKP180

appartengono a una produzione in serie e

sono conformi alle direttive europee riportate di seguito:

2006/42/EC

Sono inoltre prodotti in conformità con gli standard o i documenti standardizzati riportati di seguito:

EN60745

La documentazione tecnica viene conservata da:

Makita International Europe Ltd.

Technical Department,

Michigan Drive, Tongwell,

Milton Keynes, Bucks MK15 8JD, Inghilterra

06. 06. 2013



Tomoyasu Kato

Direttore

Makita Corporation

3-11-8, Sumiyoshi-cho,

Anjo, Aichi, 446-8502, JAPAN

NEDERLANDS (Originele instructies)

Verklaring van het onderdelenoverzicht

1. Knop	19. Afstelplaat	37. Stofzak
2. Rode deel	20. Binnenzijde van meetplaat	38. Sluiting
3. Accu	21. Rand van het schaafmes	39. Kniestuk
4. Ster-merkteken	22. Schroeven	40. Begin
5. Aanwijspunt	23. Hiel	41. Einde
6. Knop	24. Achterkant van meetblok	42. Schaaflijn
7. Uit-vergrendelhendel	25. Meetplaat	43. Schroef
8. Aan/uit-schakelaar	26. Meetblok	44. Randgeleider (los verkrijgbaar)
9. Schaafmes	27. Bolkopschroef	45. Aanscherphouder
10. Achterzool	28. Positioneerlippen van schaafmes	46. Vleugelmoer
11. Pootje	29. Hiel van afstelplaat	47. Schaafmes (A)
12. Dopsleutel	30. Aanzetplaat	48. Schaafmes (B)
13. Bout	31. Binnenzijde van meetplaat	49. Zijkant (D)
14. Losdraaien	32. Achterkant van meetblok	50. Zijkant (C)
15. Vastdraaien	33. Minischaafmes	51. Slijtgrensmarkering
16. Bouten	34. Groef	52. Schaafselafdekking
17. Cilinder	35. Zeskantflensbouten	53. Schroevendraaier
18. Cilinderdekplaat	36. Mondstuk	54. Koolborsteldop

TECHNISCHE GEGEVENS

Model	DKP140	DKP180
Schaafbreedte	82 mm	
Schaafdiepte	1,6 mm	2 mm
Rabatdiepte	9 mm	
Nullastoerental (min ⁻¹)	15.000	
Totale lengte	329 mm	333 mm
Netto gewicht	3,3 kg	3,4 kg
Nominale spanning	14,4 volt gelijkstroom	18 volt gelijkstroom

- Als gevolg van ons doorlopende onderzoeks- en ontwikkelingsprogramma, zijn de technische gegevens van dit gereedschap onderhevig aan veranderingen zonder voorafgaande kennisgeving.
- Specificaties en accu's kunnen van land tot land verschillen.
- Gewicht, inclusief de accu, volgens de EPA-procedure 01/2003

Gebruiksdoel ENE01-1
Het gereedschap is bedoeld om hout te schaven.

Algemene veiligheidswaarschuwingen voor elektrisch gereedschap

GEA010-1

⚠ WAARSCHUWING Lees alle veiligheidswaarschuwingen en alle instructies. Het niet volgen van de waarschuwingen en instructies kan leiden tot elektrische schokken, brand en/of ernstig letsel.

Bewaar alle waarschuwingen en instructies om in de toekomst te kunnen raadplegen.

VEILIGHEIDSWAARSCHUWINGEN ACCUSCHAAF

GEB064-2

1. **Wacht totdat de schaafmessen stilstaan alvorens het gereedschap neer te leggen.** De blootliggende, ronddraaiende schaafmessen kunnen de ondergrond
2. **Gebruik klemmen of een andere praktische methode om het werkstuk op een stabiele ondergrond te bevestigen en ondersteunen.** Als u het werkstuk in uw hand of tegen uw lichaam geklemd houdt, is het onvoldoende stabiel en kunt u de controle erover verliezen.
3. **Poetsdoeken, lappen, snoeren, touwen en dergelijke mogen nooit rondslingeren op de werkplek.**
4. **Voorkom dat u in spijkers schaaft.** Inspecteer het werkstuk op spijkers en verwijder deze zo nodig voordat u ermee begint te werken.
5. **Gebruik uitsluitend scherpe schaafmessen. Behandel de schaafmessen voorzichtig.**
6. **Controleer dat de bevestigingsbouten van de schaafmessen stevig vastgedraaid zijn voordat u het gereedschap bedient.**
7. **Houd het gereedschap met beide handen stevig vast.**
8. **Houd uw handen uit de buurt van draaiende delen.**
9. **Laat het gereedschap een tijdje draaien voordat u het op het werkstuk gebruikt. Controleer op**

- trillingen of schommelingen die op onjuiste bevestiging of een slecht uitgebalanceerd schaafmes kunnen wijzen.
- Zorg ervoor dat de schaafmessen het werkstuk niet raken voordat u het gereedschap hebt ingeschakeld.
 - Wacht totdat de schaafmessen op volle snelheid draaien voordat u begint te schaven.
 - Wacht na het uitschakelen altijd totdat de schaafmessen volledig stilstaan voordat u iets afstelt.
 - Steek nooit uw vinger in de houtsnippers-uitwerping. De houtsnippers-uitwerping kan verstopt raken bij het schaven van vochtig hout. Verwijder de houtsnippers met een stokje.
 - Laat het gereedschap niet ingeschakeld liggen. Bedien het gereedschap alleen wanneer u het vasthoudt.
 - Vervang altijd beide schaafmessen of dekplaten van de cilinder tegelijk omdat anders de resulterende onbalans tot trillingen zal leiden en de levensduur van het gereedschap zal verkorten.
 - Gebruik uitsluitend schaafmessen van Makita die in deze gebruiksaanwijzing worden aangegeven.
 - Gebruik altijd het juiste stofmasker/ademhalingsapparaat voor het materiaal en de toepassing waarmee u werkt.

BEWAAR DEZE INSTRUCTIES

WAARSCHUWING:

Laat u NIET misleiden door een vals gevoel van comfort en bekendheid met het gereedschap (na veelvuldig gebruik) en neem alle veiligheidsvoorschriften van het betreffende product altijd strikt in acht.

VERKEERD GEBRUIK of het niet volgen van de veiligheidsinstructies in deze gebruiksaanwijzing kan leiden tot ernstig persoonlijk letsel.

BELANGRIJKE VEILIGHEIDSLINSTRUCTIES ENC007-8

VOOR ACCU'S

- Alvorens de accu in gebruik te nemen, leest u eerst alle instructies en waarschuwingsofschriften op (1) de acculader, (2) de accu en (3) het apparaat waarin de accu wordt aangebracht.
- Haal de accu niet uit elkaar.
- Als de gebruikstijd aanzienlijk korter is geworden, stopt u onmiddellijk met het gebruik. Anders kan dit leiden tot kans op oververhitting, mogelijke brandwonden en zelfs een explosie.
- Als de elektrolyt in uw ogen komt, wast u deze uit met schoon water en raadpleegt u onmiddellijk een arts. Dit kan leiden tot verlies van gezichtsvermogen.
- Sluit de accu niet kort:
 - Raak de accupolen niet aan met enig geleidend materiaal.

- Bewaar de accu niet op een plaats waar deze in aanraking kan komen met andere metalen voorwerpen, zoals spijkers, munten, enz.
- Stel de accu niet bloot aan water of regen. Kortsluiting van de accu kan leiden tot een hoge stroomsterkte, oververhitting, mogelijke brandwonden en zelfs een defect.
- Bewaar het gereedschap en de accu niet op plaatsen waar de temperatuur kan oplopen tot 50 °C of hoger.
- Werp de accu niet in een vuur, zelfs niet als deze al ernstig beschadigd of helemaal versleten is. De accu kan in een vuur exploderen.
- Wees voorzichtig dat u de accu niet laat vallen of ergens tegenaan stoot.
- Gebruik nooit een beschadigde accu.
- Neem de plaatselijke regelgeving met betrekking tot het weggooien van de accu in acht.

BEWAAR DEZE INSTRUCTIES.

Tips voor een lange levensduur van de accu

- Laad de accu op voordat deze volledig leeg is. Wanneer u merkt dat het gereedschap minder vermogen heeft, stopt u met het gebruik ervan en laadt u eerst de accu op.
- Laad nooit een volledig opgeladen accu op. Te lang opladen verkort de levensduur van de accu.
- Laad de accu op bij een omgevingstemperatuur van 10 °C tot 40 °C. Laat een warme accu eerst afkoelen voordat u deze oplaadt.
- Laad de accu ieder half jaar op als u deze gedurende een lange tijd niet gebruikt.

BESCHRIJVING VAN DE FUNCTIES

LET OP:

- Zorg ervoor dat het gereedschap is uitgeschakeld en dat de accu is verwijderd voordat u de werking van het gereedschap aanpast of controleert.

De accu aanbrengen en verwijderen (zie afb. 1)

- Schakel het gereedschap altijd uit voordat u de accu aanbrengt of verwijdert.
- Om de accu te verwijderen verschuift u de knop aan de voorkant van de accu en schuift u tegelijkertijd de accu van het gereedschap af.
- Om de accu aan te brengen lijnt u de lip op de accu uit met de groef in de behuizing en duwt u de accu op zijn plaats. Steek de accu zo ver mogelijk in het gereedschap tot u een klikgeluid hoort. Als u het rode deel aan de bovenkant van de knop kunt zien, is de accuadapter niet goed aangebracht. Breng de accuadapter zo ver mogelijk aan tot het rode deel niet meer zichtbaar is. Als u dit niet doet, kan de accu per ongeluk uit het gereedschap vallen en u of anderen in uw omgeving verwonden.

- Oefen geen grote kracht uit bij het aanbrengen van de accu. Als de accu niet gemakkelijk erin kan worden geschoven, wordt deze niet goed aangebracht.

Accu beveiligingssysteem (accu met een ster-merkteken) (zie afb. 2)

Een accu waarop het ster-merkteken staat is voorzien van een beveiligingssysteem dat automatisch het uitgangsvermogen onderbreekt voor een langere levensduur.

Het gereedschap stopt tijdens het gebruik wanneer het gereedschap en/of de accu zich in de volgende situatie bevinden. Dit wordt veroorzaakt door de inwerkingtreding van het beveiligingssysteem en duidt niet op een defect van het gereedschap.

- Bij overbelasting van het gereedschap:
 - Als dit het geval is, laat u de aan/uit-schakelaar los, verwijdert u de accu, heft u de oorzaak van de overbelasting op en knijpt u daarna de aan/uit-schakelaar weer in om verder te gaan.
- Als de accucellen heet zijn geworden:
 - Als de aan/uit-schakelaar wordt bediend, blijft het gereedschap stilstaan. Als dit het geval is, bedient u het gereedschap niet meer, verwijdert u de accu van het gereedschap, en laat u de accu afkoelen of laadt u hem op.
- Als de resterende acculading laag is:
 - Als de aan/uit-schakelaar wordt bediend, blijft het gereedschap stilstaan. Als dit het geval is, verwijdert u de accu van het gereedschap en laadt u hem op.

Schaafdiepte instellen (zie afb. 3)

De schaaftdiepte kan worden ingesteld door de knop op de voorkant van het gereedschap te draaien zodat de aanwijspunt de gewenste schaaftdiepte aanwijst.

In- en uitschakelen (zie afb. 4)

⚠ LET OP:

- Controleer altijd, voordat u de accu op het gereedschap aanbrengt, of de aan/uit-schakelaar op de juiste manier schakelt en weer terugkeert naar de uit-stand nadat deze is losgelaten.
- Knijp de aan/uit-schakelaar niet hard in zonder de uit-vergrendeling in te duwen. Hierdoor kan de aan/uit-schakelaar kapot gaan.

Om te voorkomen dat de aan/uit-schakelaar per ongeluk wordt bediend, is een uit-vergrendeling aangebracht. Om het gereedschap te starten, schuift u de uit-vergrendeling en knijpt u de aan/uit-schakelaar in. Laat de aan/uit-schakelaar los om het gereedschap te stoppen.

⚠ WAARSCHUWING:

- Omwille van uw veiligheid is dit gereedschap uitgerust met een uit-vergrendeling die voorkomt dat het gereedschap onbedoeld wordt ingeschakeld. Gebruik het gereedschap NOOIT wanneer dit draait door gewoon de aan/uit-schakelaar in te knijpen zonder de uit-vergrendeling in te duwen. Stuur het gereedschap voor deugdelijke reparatie terug naar een MAKITA-servicecentrum ALVORENS het verder te gebruiken.
- U mag NOOIT de uit-vergrendeling met plakband vastzetten of anderszins de werking en functie ervan te niet doen.

Om te voorkomen dat de aan/uit-schakelaar per ongeluk wordt bediend, is een uit-vergrendelknop aangebracht. Om het gereedschap te starten, drukt u de uit-vergrendelknop in en knijpt u de aan/uit-schakelaar in. Laat de aan/uit-schakelaar los om het gereedschap te stoppen.

Pootje (zie afb. 5)

Na het schaven tilt u de achterkant van het gereedschap op zodat een pootje onder de achterzool uitkomt. Dit voorkomt dat de schaafmessen van het gereedschap beschadigd worden.

DE ONDERDELEN MONTEREN

⚠ LET OP:

- Controleer altijd of het gereedschap is uitgeschakeld en de accu is verwijderd alvorens enige werkzaamheden aan het gereedschap te verrichten.

De schaafmessen aanbrengen en verwijderen

⚠ LET OP:

- Draai de bevestigingsbouten van de schaafmessen stevig vast wanneer u de schaafmessen op het gereedschap bevestigt. Een losse bevestigingsbout kan gevaarlijk zijn. Controleer altijd of ze stevig vastgedraaid zijn.
- Behandel de schaafmessen voorzichtig. Gebruik handschoenen of doeken om uw vingers en handen te beschermen tijdens het aanbrengen en verwijderen van de schaafmessen.
- Gebruik uitsluitend de bijgeleverde Makita-sleutel bij het aanbrengen of verwijderen van de schaafmessen. Als u dit nalaat, loopt u het risico dat de bevestigingsbouten te vast of onvoldoende vast aangedraaid worden. Hierdoor kan letsel worden veroorzaakt.

Voor een gereedschap met standaardschaafmessen (zie afb. 6 t/m 8)

Om de schaafmessen van de cilinder te verwijderen, draait u de bevestigingsbouten los met de dopsleutel. De cilinderdekplaat komt los tezamen met de schaafmessen. Om nieuwe schaafmessen aan te brengen, verwijdert u eerst alle houtsnippers en vreemde materialen vanaf de cilinder en de schaafmessen. Gebruik nieuwe schaafmessen met dezelfde afmetingen en hetzelfde gewicht omdat anders slingeren en trillingen in de cilinder kunnen optreden waardoor op den duur het gereedschap kapot zal gaan.

Leg het schaaftmes zodanig op het meetblok dat de rand van het schaaftmes precies tegen de binnenzijde van de meetplaat aanligt. Leg de afstelplaat op het schaaftmes en duw daarna gewoon de hiel van de afstelplaat strak tegen de achterkant van het meetblok, en draai de twee schroeven van de afstelplaat vast. Plaats nu de hiel van de afstelplaat in de groef van de cilinder en bevestig de cilinderdekplaat erop. Draai de bevestigingsbouten gelijkmatig en beurteelings aan met behulp van de dopsleutel. Herhaal de bovenstaande stappen voor het andere schaaftmes.

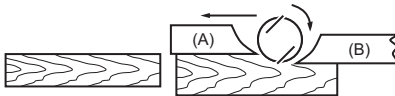
Voor een gereedschap met minischaafmessen (zie afb. 9)

1. Verwijder het bestaande minischaafmes, als het gereedschap gebruikt is, en reinig voorzichtig de cilinderoppervlakken en de cilinderdekplaat. Om de minischaafmessen van de cilinder af te halen, draait u de drie bevestigingsbouten los met de dopsleutel. De cilinderdekplaat komt los tezamen met de minischaafmessen (zie afb. 10).
2. Om de nieuwe minischaafmessen aan te brengen, bevestigt u eerst de afstelplaat losjes op de aanzetplaat met de bolkop Schroeven, en plaatst u het minischaafmes zodanig op het meetblok dat de snijrand van het minischaafmes precies tegen de binnenzijde van de meetplaat aanligt.
3. Leg de afstelplaat/aanzetplaat zodanig op het meetblok dat de schaaftmes-positioneringslippen op de aanzetplaat in de gleuf van het minischaafmes vallen, duw daarna de hiel van de afstelplaat strak tegen de achterkant van het meetblok, en draai tenslotte de bolkop Schroeven vast.
4. Het is belangrijk dat het minischaafmes precies tegen de binnenzijde van de meetplaat aanligt, dat de schaaftmes-positioneringslippen in de gleuf van het minischaafmes vallen, en dat de hiel van de afstelplaat tegen de achterkant van het meetblok aanligt. Controleer zorgvuldig dat deze uitlijning correct is voor uniform schaaftwerk.
5. Plaats de hiel van de afstelplaat in de groef van de cilinder (zie afb. 11).

(A) Voorzool (beweegbare schoen)

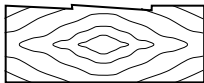
(B) Achterzool (vaste schoen)

Juiste afstelling



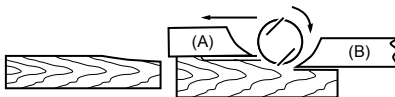
Ondanks dat het niet zichtbaar is op dit zijaanzicht, lopen de randen van de schaaftmessen perfect parallel aan de rand van de achterzool.

Inkepingen in het oppervlak



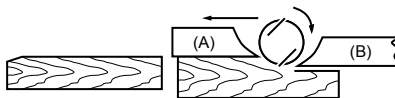
Oorzaak: Een of beide schaaftmessen loopt niet parallel aan de rand van de achterzool.

Uithollen aan het begin



Oorzaak: Een of beide schaaftmessen steekt niet ver genoeg uit ten opzichte van het achterzooloppervlak.

Uithollen aan het einde



Oorzaak: Een of beide schaaftmessen steekt te ver uit ten opzichte van het achterzooloppervlak.

EN0004-1

Stofzak (los verkrijgbaar) (zie afb. 12)

Voor een gereedschap zonder een mondstuk

Verwijder de schaaftafdekking en breng het mondstuk (los verkrijgbaar) aan. Bevestig de stofzak op het mondstuk. Het mondstuk is taps. Bij het bevestigen van de stofzak, duwt u deze met kracht zo ver mogelijk op het

mondstuk om te voorkomen dat deze tijdens gebruik los raakt.

Voor een gereedschap met een mondstuk

Bevestig de stofzak op het mondstuk. Het mondstuk is taps. Bij het bevestigen van de stofzak, duwt u deze met kracht zo ver mogelijk op het mondstuk om te voorkomen dat deze tijdens gebruik los raakt (zie afb. 13).

Wanneer de stofzak ongeveer halfvol is, haalt u de stofzak van het gereedschap af en trekt u de sluiting eraf. Gooi de inhoud in de stofzak weg en tik zacht tegen de stofzak zodat ook het stof dat tegen de binnenkant kleeft, en verdere afzuiging kan hinderen, eruit valt.

OPMERKING:

- Als u een Makita-stofzuiger aansluit op uw gereedschap, kunt u nog efficiënter en schoner werken.

Een stofzuiger aansluiten (zie afb. 14)

Voor een gereedschap zonder een mondstuk

Wanneer u tijdens het schaven schoon wilt werken, sluit u een Makita-stofzuiger aan op uw gereedschap. Voordat u de stofzuiger aansluit, verwijdert u de schaafelselafdekking vanaf het gereedschap. Sluit vervolgens de stofzuigerslang aan op het mondstuk (los verkrijgbaar), zoals aangegeven in de afbeelding.

Voor een gereedschap met een mondstuk

Wanneer u tijdens het schaven schoon wilt werken, sluit u een Makita-stofzuiger aan op uw gereedschap. Sluit vervolgens de stofzuigerslang aan op het mondstuk, zoals aangegeven in de afbeelding.

Kniestuk (los verkrijgbaar) (zie afb. 15)

Door een kniestuk te gebruiken kunt u de richting waarin de houtsnippers worden uitgeworpen veranderen om schoner te werken.

Voor een gereedschap zonder een mondstuk

Verwijder de schaafelselafdekking en breng het mondstuk (los verkrijgbaar) aan. Bevestig het kniestuk (los verkrijgbaar) op het mondstuk van het gereedschap door het er eenvoudig op te duwen. Verwijder het door het er eenvoudig af te trekken.

Voor een gereedschap met een mondstuk

Bevestig het kniestuk (los verkrijgbaar) op het mondstuk van het gereedschap door het er eenvoudig op te duwen. Verwijder het door het er eenvoudig af te trekken.

BEDIENING

Houd het gereedschap stevig vast met één hand op de knop en de andere hand aan de schakelaarhandgreep tijdens het gebruik van het gereedschap.

Gebruik als schaaft (zie afb. 16)

Plaats eerst de voorzool van het gereedschap plat op het werkstuk zonder dat de schaafmessen ermee in aanraking komen. Schakel het gereedschap in en wacht totdat de schaafmessen op volle snelheid draaien. Beweeg het gereedschap vervolgens voorzichtig naar voren. Oefen aan het begin van het schaven druk uit op de voorkant van het gereedschap en aan het einde van het schaven op de achterkant van het gereedschap. Het schaven gaat gemakkelijker als u het werkstuk iets aflopend opstelt zodat u iets 'bergafwaarts' schaaft. De snelheid en diepte van het schaven bepalen het eindresultaat. De schaaft blijft schaven op een snelheid die niet zal leiden tot verstopping met houtsnippers. Voor grof schaven kan de schaafdiepte groter zijn, maar voor een

mooi resultaat moet u de schaafdiepte verkleinen en het gereedschap langzamer vooruit bewegen.

Rabatten (zie afb. 17)

Om een haakse verdieping aan te brengen, zoals aangegeven in de afbeelding, gebruikt u de randgeleider (lineaal), welke los verkrijgbaar is (zie afb. 18). Teken een schaaflijn op het werkstuk. Steek de randgeleider in het gat aan de voorkant van het gereedschap. Lijn de rand van het schaaftmes uit met de schaaflijn (zie afb. 19).

Stel de randgeleider af totdat deze de zijkant van het werkstuk raakt, en zet deze daarna stevig vast door de schroef aan te draaien (zie afb. 20).

Beweeg tijdens het schaven het gereedschap met de randgeleider strak langs de zijkant van het werkstuk. Als u dat niet doet, kan ongelijkmatig schaaftwerk het gevolg zijn.

De maximumdiepte bij rabatten is 9 mm (zie afb. 21).

U kunt de lengte van de randgeleider vergroten door er een stuk hout aan te bevestigen. Voor dit doel zijn reeds gaten aangebracht in de randgeleider, en tevens voor het bevestigen van een verlengstuk (los verkrijgbaar).

Afschuinen (zie afb. 22 en 23)

Om een schuine kant te schaven zoals aangegeven in de afbeelding, lijnt u de "V"-groef in de voorzool uit met de hoek van het werkstuk en schaaft u het.

ONDERHOUD

⚠ LET OP:

- Zorg er altijd voor dat het gereedschap is uitgeschakeld en de accu is verwijderd, voordat u een inspectie of onderhoud uitvoert.
- Gebruik nooit benzine, wasbenzine, thinner, alcohol, enz. Dit kan leiden tot verkleuren, vervormen of barsten.

De schaafmessen slijpen

Alleen voor conventionele schaafmessen (zie afb. 24)
Zorg ervoor dat de messen altijd scherp zijn voor de beste prestaties. Gebruik de aanscherphouder (los verkrijgbaar) om inkepingen te verwijderen en een scherpe snede te maken. (zie afb. 25).

Draai eerst de twee vleugelmoeren op de houder los en steek de messen (A) en (B) erin zodat ze de zijkanten (C) en (D) raken. Draai tenslotte de moer stevig vast. (zie afb. 26).

Houd de wetsteen gedurende 2 of 3 minuten onder water alvorens te slijpen. Houd de houder zodanig vast dat beide messen de wetsteen raken om ze gelijktijdig te slijpen onder dezelfde hoek.

De koolborstels vervangen (zie afb. 27)

Verwijder en controleer de koolborstels regelmatig. Vervang deze wanneer ze tot aan de slijtgrensmarkering zijn afgesleten. Houd de koolborstels schoon en zorg ervoor dat ze vrij kunnen bewegen in de houders. Beide koolborstels dienen tegelijkertijd te worden vervangen. Gebruik alleen identieke koolborstels (zie afb. 28 en 29). Verwijder de schaafelselafdekking met behulp van een schroevendraaier (zie afb. 30).

Gebruik een schroevendraaier om de koolborsteldoppen te verwijderen. Haal de versleten koolborstels eruit, plaats de nieuwe erin, en zet de koolborsteldoppen goed vast. Om de VEILIGHEID en BETROUWBAARHEID van het gereedschap te handhaven, dienen alle reparaties, onderhoud en afstellingen te worden uitgevoerd door een erkend Makita-servicecentrum, en altijd met gebruikmaking van originele Makita- vervangingsonderdelen.

VERKRIJGBARE ACCESSOIRES

⚠ LET OP:

- Deze accessoires of hulpstukken worden aanbevolen voor gebruik met het Makita-gereedschap dat in deze gebruiksaanwijzing wordt beschreven. Het gebruik van andere accessoires of hulpstukken kan gevaar voor persoonlijk letsel opleveren. Gebruik de accessoires of hulpstukken uitsluitend voor de aangegeven gebruiksdoeleinden.

Mocht u meer informatie willen hebben over deze accessoires, dan kunt u contact opnemen met uw plaatselijke Makita-servicecentrum.

- Snelstalen schaafmes
- Hardstalen schaafmes (voor een langere levensduur)
- Minischaafmes
- Aanscherphouder
- Mesmeter
- Stel aanzetplaten
- Randgeleider (liniaal)
- Stel verlengstukken
- Wetsteen
- Mondstuk
- Stofzak
- Kniestuk
- Dopsleutel
- Kunststoffen draagdoos
- Diverse types originele Makita-accu's en -acculaders

OPMERKING:

- Sommige items op de lijst kunnen zijn inbegrepen in de doos van het gereedschap als standaard toebehoren. Zij kunnen van land tot land verschillen.

Geluid ENG905-1

De typische, A-gewogen geluidsniveaus zijn gemeten volgens EN60745:

Model DKP140

Geluidsdrukniveau (L_{pA}): 80 dB (A)

Onzekerheid (K): 3 dB (A)

Het geluidsniveau kan tijdens gebruik hoger worden dan 80 dB (A).

Model DKP180

Geluidsdrukniveau (L_{pA}): 84 dB (A)

Geluidsvermogeniveau (L_{WA}): 95 dB (A)

Onzekerheid (K): 3 dB (A)

Draag gehoorbescherming.

Trillingen

ENG900-1

De totale trillingswaarde (triaxiale vectorsom) zoals vastgesteld volgens EN60745:

Model DKP140

Gebruikstoepassing: schaven van zachthout

Trillingsemisatie (a_h): 3,5 m/s²

Onzekerheid (K): 1,5 m/s²

Model DKP180

Gebruikstoepassing: schaven van zachthout

Trillingsemisatie (a_h): 4,5 m/s²

Onzekerheid (K): 1,5 m/s²

ENG901-1

- De opgegeven trillingsemisiewaarde is gemeten volgens de standaardtestmethode en kan worden gebruikt om dit gereedschap te vergelijken met andere gereedschappen.
- De opgegeven trillingsemisiewaarde kan ook worden gebruikt voor een beoordeling vooraf van de blootstelling.

⚠ WAARSCHUWING:

- De trillingsemisatie tijdens het gebruik van het elektrisch gereedschap in de praktijk kan verschillen van de opgegeven trillingsemisiewaarde afhankelijk van de manier waarop het gereedschap wordt gebruikt.
- Zorg ervoor dat veiligheidsmaatregelen worden getroffen ter bescherming van de operator die zijn gebaseerd op een schatting van de blootstelling onder praktijkomstandigheden (rekening houdend met alle fasen van de bedrijfscyclus, zoals de tijdsduur gedurende welke het gereedschap is uitgeschakeld en stationair draait, naast de ingeschakelde tijdsduur).

Alleen voor Europese landen ENH101-16

EU-verklaring van conformiteit

Wij, Makita Corporation, als de verantwoordelijke fabrikant, verklaren dat de volgende Makita-machine(s):

Aanduiding van de machine:

Accuschaaf

Modelnr./Type: DKP140 en DKP180

in serie zijn geproduceerd en

Voldoen aan de volgende Europese richtlijnen:

2006/42/EG

En zijn gefabriceerd in overeenstemming met de volgende normen of genormaliseerde documenten:

EN60745

De technische documentatie wordt bewaard door:

Makita International Europe Ltd.

Technical Department,

Michigan Drive, Tongwell,

Milton Keynes, Bucks MK15 8JD, Engeland

06. 06. 2013



Tomoyasu Kato

Directeur

Makita Corporation

3-11-8, Sumiyoshi-cho,

Anjo, Aichi, 446-8502, JAPAN

ESPAÑOL (Instrucciones originales)

Descripción y visión general

- | | | |
|--|---|--|
| 1. Botón | 21. Borde de la cuchilla | 37. Bolsa colectora de polvo |
| 2. Indicador rojo | 22. Tornillos | 38. Cierre |
| 3. Cartucho de batería | 23. Talón | 39. Codo |
| 4. Marca de estrella | 24. Parte posterior de la base de calibre | 40. Principio |
| 5. Puntero | 25. Placa del calibre | 41. Final |
| 6. Pomo | 26. Base de calibre | 42. Línea de corte |
| 7. Palanca de desbloqueo | 27. Tornillo de cabezal giratorio | 43. Tornillo |
| 8. Interruptor disparador | 28. Lengüetas de posicionamiento de la cuchilla del cepillo | 44. Tope de borde (accesorio opcional) |
| 9. Cuchilla del cepillo | 29. Talón de la placa de ajuste | 45. Soporte de afilado |
| 10. Base trasera | 30. Placa de ajuste | 46. Tuerca de mariposa |
| 11. Pie | 31. Lado interior de la placa del calibre | 47. Cuchilla (A) |
| 12. Llave de tubo | 32. Parte posterior de la base de calibre | 48. Cuchilla (B) |
| 13. Perno | 33. Cuchilla pequeña del cepillo | 49. Lado (D) |
| 14. Aflojar | 34. Ranura | 50. Lado (C) |
| 15. Apretar | 35. Pernos de cabeza de arandela hexagonal | 51. Marca de límite |
| 16. Pernos | 36. Boquilla | 52. Cubierta de virutas |
| 17. Tambor | | 53. Destornillador |
| 18. Cubierta del tambor | | 54. Tapa del portaescobillas |
| 19. Placa de ajuste | | |
| 20. Borde interior de la placa del calibre | | |

ESPECIFICACIONES

Modelo	DKP140	DKP180
Anchura de cepillado	82 mm	
Profundidad de cepillado	1,6 mm	2 mm
Profundidad de galce	9 mm	
Velocidad en vacío (min ⁻¹)	15.000	
Longitud total	329 mm	333 mm
Peso neto	3,3 kg	3,4 kg
Tensión nominal	14,4 V CC	18 V CC

- Debido a nuestro programa continuo de investigación y desarrollo, las especificaciones aquí descritas están sujetas a cambios sin previo aviso.
- Las especificaciones y el cartucho de la batería pueden variar de un país a otro.
- Peso, con el cartucho de la batería, de acuerdo con el procedimiento EPTA 01/2003

Uso previsto

La herramienta está diseñada para cepillar madera.

ENE001-1

Advertencias de seguridad generales para herramientas eléctricas

GEA010-1

⚠ ADVERTENCIA Lea todas las advertencias de seguridad y todas las instrucciones. La no observancia de las advertencias y las instrucciones puede provocar descargas eléctricas, incendios y/o lesiones graves.

Guarde todas las advertencias e instrucciones para futuras consultas.

ADVERTENCIAS DE SEGURIDAD DEL CEPILLO INALÁMBRICO

GEB064-2

1. **Espera a que se detenga la cuchilla antes de dejar la herramienta.** Una cuchilla expuesta que esté girando puede entrar en contacto con una superficie y provocar una posible pérdida de control y graves lesiones.
2. **Utilice mordazas u otros medios de sujeción prácticos para sujetar y apoyar la pieza de trabajo en una plataforma estable.** Si sujeta la pieza de trabajo con la mano o contra el cuerpo, estará inestable y se podrá ocasionar una pérdida de control.
3. **Nunca deben dejarse trapos, trozos de tela, cables, cuerdas y elementos similares en el área de trabajo.**
4. **Evite cortar clavos. Antes de trabajar, inspeccione la pieza de trabajo y extraiga todos los clavos.**
5. **Utilice sólo cuchillas afiladas. Manipule las cuchillas con mucho cuidado.**

6. Asegúrese de que los pernos de montaje de la cuchilla estén firmemente apretados antes de su uso.
7. Sujete firmemente la herramienta con ambas manos.
8. Mantenga las manos alejadas de las partes giratorias.
9. Antes de utilizar la herramienta en la pieza de trabajo definitiva, déjela funcionar durante un rato. Observe para ver si se producen vibraciones o bamboleo que puedan indicar que la cuchilla está mal instalada o mal equilibrada.
10. Asegúrese de que la cuchilla no esté tocando la pieza de trabajo antes de activar el interruptor.
11. Espere a que la cuchilla adquiera velocidad plena antes de cortar.
12. Apague la herramienta y espere siempre a que la cuchilla se haya parado antes de realizar cualquier ajuste.
13. Nunca introduzca un dedo en el conducto para virutas. El conducto puede atascarse al cepillar madera húmeda. Limpie las virutas con un palo.
14. No deje la herramienta encendida. Póngala en marcha solamente cuando la tenga en las manos.
15. Cambie siempre ambas cuchillas o cubiertas del tambor; de lo contrario, el desequilibrio resultante provocará vibraciones y acortará la vida de la herramienta.
16. Utilice solamente cuchillas Makita especificadas en este manual.
17. Utilice siempre la mascarilla antipolvo o la mascarilla de respiración adecuada para el material y la aplicación con que esté trabajando.
4. Si se produce contacto ocular con electrolito, enjuáguese los ojos con agua limpia y acuda de urgencia al médico. Corre el riesgo de perder la visión.
5. No cortocircuite el cartucho de la batería:
 - (1) No toque los terminales con material conductor.
 - (2) Evite guardar el cartucho de la batería en un recipiente con otros objetos metálicos, como clavos, monedas, etc.
 - (3) No exponga el cartucho de la batería al agua o a la lluvia.

Un cortocircuito puede provocar un elevado flujo de corriente, sobrecalentamiento, quemaduras o incluso una avería.
6. No almacene la herramienta ni el cartucho de la batería en lugares donde la temperatura supere los 50°C (122°F).
7. No queme el cartucho de la batería aunque esté gravemente dañado o completamente gastado. El cartucho de la batería puede explotar si entra en contacto con fuego.
8. Procure que la batería no sufra golpes ni caídas.
9. No utilice una batería dañada.
10. Siga las normativas locales relativas al desecho de la batería.

GUARDE ESTAS INSTRUCCIONES.

Consejos para conseguir una mayor duración de la batería

1. Cargue la batería antes de que se descargue por completo. Cuando observe que la herramienta tiene menos potencia, deje de utilizarla y cargue el cartucho de la batería.
2. No recargue nunca un cartucho de batería completamente cargado. La sobrecarga acorta la vida útil de la batería.
3. Cargue el cartucho de la batería a una temperatura ambiente que oscile entre 10°C y 40°C (50°F - 104°F). Antes de cargar un cartucho de batería caliente, deje que se enfríe.
4. Cargue la batería una vez cada seis meses si no la utiliza durante un período de tiempo prolongado.

DESCRIPCIÓN DEL FUNCIONAMIENTO

⚠ PRECAUCIÓN:

- Antes de ajustar o de comprobar la herramienta, asegúrese siempre de que está apagada y de que la batería ha sido extraída.

Instalación o extracción del cartucho de la batería (Fig. 1)

- Apague siempre la herramienta antes de instalar o quitar el cartucho de la batería.
- Para quitar el cartucho de la batería, mantenga pulsado el botón de la parte frontal del cartucho y retírelo.

GUARDE ESTAS INSTRUCCIONES.

⚠ ADVERTENCIA:

NO deje que la comodidad o la familiaridad con el producto (a base de utilizarlo repetidamente) sustituya la estricta observancia de las normas de seguridad del producto en cuestión. El MAL USO o la no observancia de las normas de seguridad expuestas en este manual de instrucciones pueden ocasionar graves daños corporales.

INSTRUCCIONES DE SEGURIDAD IMPORTANTES

ENC007-8

PARA EL CARTUCHO DE LA BATERÍA

1. Antes de utilizar el cartucho de la batería, lea todas las instrucciones y referencias de precaución que se encuentran en (1) el cargador de baterías, (2) la batería y (3) el producto que utiliza la batería.
2. No desmonte el cartucho de la batería.
3. Si el tiempo de funcionamiento es excesivamente corto, deje de utilizar la herramienta de inmediato. De lo contrario, existe el riesgo de sobrecalentamiento, quemaduras e incluso explosión.

- Para instalar el cartucho de la batería, alinee la lengüeta situada en el cartucho de la batería con la ranura del alojamiento e insértela. Insértela completamente hasta que quede firmemente sujeta y se bloquee con un clic. Si puede ver el indicador rojo de la zona superior del botón, significa que el cartucho no está completamente bloqueado. Instálelo completamente hasta que el indicador rojo quede oculto. De lo contrario, el cartucho puede desprenderse accidentalmente de la herramienta y causar lesiones al operario o a alguna persona que se encuentre cerca.
- No haga fuerza al instalar el cartucho de la batería. Si no se inserta suavemente, significa que no lo está instalando correctamente.

Sistema de protección de la batería (cartucho de batería con una marca de estrella) (Fig. 2)

El cartucho de batería con una marca de estrella está equipado con un sistema de protección que, automáticamente, corta la alimentación para prolongar su vida útil.

La herramienta se detiene durante el funcionamiento si la herramienta y/o la batería se someten al siguiente estado. Esto se debe a la activación del sistema de protección y no indica ningún problema de la herramienta.

- Cuando la herramienta está sobrecargada:
 - Suelte el interruptor disparador, retire el cartucho de batería y elimine las causas de la sobrecarga. A continuación, vuelva a accionar el interruptor disparador para volver a ponerla en marcha.
- Cuando las celdas de la batería se calienten:
 - Aunque se accione el interruptor disparador, el motor permanecerá detenido. En ese caso, deje de utilizar la herramienta y refrigere o cargue el cartucho de la batería tras extraerlo de la herramienta.
- Cuando la capacidad restante de la batería sea baja:
 - Aunque se accione el interruptor disparador, el motor permanecerá detenido. En ese caso, extraiga el cartucho de la batería de la herramienta y cárguelo.

Ajuste de la profundidad de corte (Fig. 3)

La profundidad de corte se puede ajustar con sólo girar el pomo de la parte delantera de la herramienta de forma que el puntero señale la profundidad de corte deseada.

Accionamiento del interruptor (Fig. 4)

⚠ PRECAUCIÓN:

- Antes de instalar el cartucho de la batería en la herramienta, asegúrese siempre de que el interruptor disparador funciona como es debido y que vuelve a la posición "OFF" (apagado) al soltarlo.
- No tire con fuerza del interruptor del disparador sin presionar la palanca de desbloqueo. Podría romper el interruptor.

Para evitar que el disparador del interruptor se accione accidentalmente se proporciona una palanca de bloqueo. Para poner en marcha la herramienta, deslice la palanca de desbloqueo y tire del disparador del interruptor. Suelte el interruptor disparador para detener la herramienta.

⚠ ADVERTENCIA:

- Por su seguridad, esta herramienta está equipada con una palanca de bloqueo que impide que la herramienta se ponga en marcha de forma accidental. NUNCA utilice la herramienta si funciona simplemente pulsando el disparador sin presionar la palanca de desbloqueo. Devuelva la herramienta a un centro de asistencia técnica de MAKITA ANTES de continuar utilizándola.
- NUNCA fije con cinta adhesiva ni impida el funcionamiento ni la finalidad de la palanca de bloqueo.

Para evitar que el gatillo interruptor pueda ser apretado accidentalmente, se ha provisto un botón de desbloqueo. Para poner en marcha la herramienta, presione el botón de bloqueo y tire del disparador del interruptor. Suelte el interruptor disparador para detener la herramienta.

Pie (Fig. 5)

Tras realizar una operación de corte, levante la parte posterior de la herramienta para que aparezca un pie bajo el nivel de la base posterior. De esta forma se evita que se dañen las cuchillas de la herramienta.

MONTAJE

⚠ PRECAUCIÓN:

- Asegúrese siempre de apagar la herramienta y extraer el cartucho de la batería antes de intentar realizar cualquier tipo de operación en la herramienta.

Extracción o instalación de las cuchillas del cepillo

⚠ PRECAUCIÓN:

- Apriete los pernos de montaje de las cuchillas con cuidado cuando coloque las cuchillas en la herramienta. Un perno de montaje suelto puede ser peligroso. Compruebe siempre si están apretados firmemente.
- Manipule las cuchillas con mucho cuidado. Utilice guantes o trapos para proteger sus dedos o manos cuando retire o monte las cuchillas.
- Utilice sólo la llave de Makita para instalar o extraer las cuchillas. De lo contrario, podría apretar demasiado o de forma insuficiente los pernos de montaje y provocar lesiones.

Para la herramienta con cuchillas de cepillado convencionales (Fig. 6 - 8)

Para extraer las cuchillas del tambor, desatornille los pernos de montaje con la llave de cubo. La cubierta del tambor se soltará con las cuchillas.

Para montar las cuchillas, primero limpie todas las virutas o materias extrañas que estén adheridas al tambor o a las cuchillas. Utilice cuchillas de iguales dimensiones y peso o el tambor oscilará/vibrará, lo que provocará pobres resultados de cepillado y, en última instancia, la avería de la herramienta.

Coloque la cuchilla en la base del calibre para que el borde de la cuchilla esté perfectamente asentado en el borde interior de la placa del calibre. Coloque la placa de ajuste en la cuchilla y después presione el talón de la placa de ajuste asentada sobre el lado posterior de la base del calibre con dos tornillos en la placa de ajuste.

Ahora deslice el talón de la placa de ajuste en la ranura del tambor y después encaje la cubierta del tambor en él. Apriete todos los pernos de montaje uniformemente y de forma alternativa con la llave de tubo.

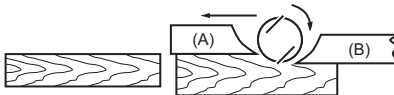
Repita los procedimientos anteriores para la otra cuchilla.

Para la herramienta con cuchillas de cepillado pequeñas (Fig. 9)

1. Si la herramienta se ha utilizado, extraiga la cuchilla existente, y limpie con cuidado las superficies del tambor y la cubierta del tambor. Para extraer las cuchillas del tambor, desatornille los tres pernos de montaje con la llave de cubo. La cubierta del tambor se soltará con las cuchillas. (Fig. 10)
2. Para montar las cuchillas, coloque de forma holgada la placa de ajuste en la placa de posicionamiento con los tornillos de cabezal giratorio y fije la cuchilla pequeña del cepillo en la base del calibre para que el borde de corte de la cuchilla se asiente perfectamente con el lado interior de la placa del calibre.
3. Coloque la placa de ajuste/placa de posicionamiento en la base del calibre para que las lengüetas de posicionamiento de la cuchilla del cepillo en la placa de posicionamiento descansen sobre la ranura de la cuchilla pequeña del cepillo y, a continuación, presione el talón de la placa de ajuste con la parte posterior de la base del calibre y apriete los tornillos de cabezal giratorio.
4. Es importante que la cuchilla se asiente completamente en el lado interior de la placa del calibre, que las lengüetas de posicionamiento de la cuchilla se asienten en la ranura de la cuchilla y que el talón de la placa de ajuste esté asentado en la parte

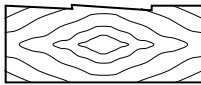
- (A) Base delantera (zapata móvil)
- (B) Base trasera (zapata fija)

Ajuste correcto



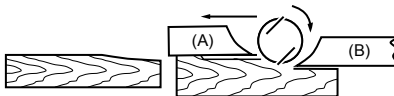
Aunque esta vista lateral no puede mostrarlo, los bordes de las cuchillas están perfectamente paralelos a la superficie de la base posterior.

Muestras en la superficie



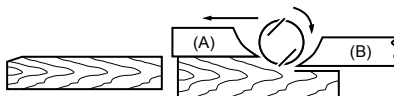
Causa: Una o ambas cuchillas no tienen bordes paralelos a la línea de base posterior.

Ranurado al principio



Causa: Uno o ambos bordes no sobresalen lo suficiente en relación con la línea de base posterior.

Ranurado al final



Causa: Uno o ambos bordes sobresalen demasiado en relación con la línea de base posterior.

EN0004-1

Bolsa colectora de polvo (accesorio) (Fig. 12)

Para la herramienta sin boquilla

Retire la cubierta de virutas e instale la boquilla (accesorio

posterior de la base del calibre. Compruebe esta alineación cuidadosamente para garantizar un corte uniforme.

5. Deslice el talón de la placa de ajuste en la ranura del tambor. (Fig. 11)
6. Coloque la cubierta del tambor sobre la placa de ajuste/placa de posicionamiento y atornille los tres pernos de cabeza de arandela hexagonales de forma que haya un espacio entre el tambor y la placa de posicionamiento para deslizar la cuchilla pequeña del cepillo hasta su posición. La cuchilla será colocada por las lengüetas de posicionamiento de la cuchilla del cepillo en la placa de posicionamiento.
7. El ajuste longitudinal de la cuchilla deberá realizarse manualmente para que los extremos de la cuchilla estén limpios y equidistantes del alojamiento en un lado y del soporte metálico en el otro.
8. Apriete los tres pernos de cabeza de arandela hexagonal (con la llave de tubo proporcionada) y gire el tambor para comprobar las holguras entre los extremos de la cuchilla y el cuerpo de la herramienta.
9. Compruebe que los tres pernos de cabeza de arandela hexagonal estén bien apretados.
10. Repita los procedimientos 1 - 9 para la otra cuchilla.

Para el correcto ajuste de la cuchilla del cepillo

La superficie de cepillado tendrá un acabado rugoso y desigual, a menos que la cuchilla se coloque de forma correcta y fija. La cuchilla debe montarse de modo que el borde de corte esté absolutamente nivelado, es decir, paralelo a la superficie de la base posterior.

A continuación se muestran algunos ejemplos de ajustes correctos e incorrectos.

opcional). Acople la bolsa colectora de polvo a la boquilla. La boquilla tiene forma de cuña. Cuando acople la bolsa colectora de polvo, empújela hasta el fondo de la boquilla para evitar que se desprenda durante el funcionamiento de la herramienta.

Para la herramienta con boquilla

Acople la bolsa colector de polvo a la boquilla. La boquilla tiene forma de cuña. Cuando acople la bolsa colector de polvo, empújela hasta el fondo de la boquilla para evitar que se desprenda durante el funcionamiento de la herramienta. (Fig. 13)

Cuando la bolsa de polvo esté medio llena, quítela de la herramienta y extraiga el cierre. Vacíe la bolsa de polvo golpeándola ligeramente para retirar las partículas adheridas en el interior para que no impidan la posterior recogida de polvo.

NOTA:

- Si conecta un aspirador Makita a esta herramienta se puede lograr un rendimiento más eficaz y un funcionamiento más limpio.

Conexión de un aspirador (Fig. 14)

Para la herramienta sin boquilla

Si desea realizar una operación de cepillado limpio, conecte un aspirador Makita a la herramienta. Antes de conectar el aspirador, retire la cubierta de virutas de la herramienta. A continuación, conecte una manguera de la aspiradora a la boquilla (accesorio opcional) como se muestra en la figura.

Para la herramienta con boquilla

Si desea realizar una operación de cepillado limpio, conecte un aspirador Makita a la herramienta. A continuación, conecte una manguera de la aspiradora a la boquilla como se muestra en las figuras.

Codo (accesorio opcional) (Fig. 15)

El uso de un codo permite cambiar la dirección de descarga de virutas para trabajar con mayor limpieza.

Para la herramienta sin boquilla

Retire la cubierta de virutas e instale la boquilla (accesorio opcional). Instale el codo (accesorio opcional) en la herramienta haciendo que resbale sobre ella. Para extraerlo, tire de él.

Para la herramienta con boquilla

Instale el codo (accesorio opcional) en la herramienta haciendo que resbale sobre ella. Para extraerlo, tire de él.

FUNCIONAMIENTO

Sujete firmemente el pomo de la herramienta con una mano y ponga la otra mano en la empuñadura del interruptor para utilizar la herramienta.

Operación de cepillado (Fig. 16)

En primer lugar deje descansar la base delantera de la herramienta plana sobre la superficie de la pieza de trabajo sin que las cuchillas tengan ningún contacto. Encienda y espere hasta que las cuchillas alcancen la velocidad completa. Mueva la herramienta suavemente hacia delante. Ejercer presión en la parte delantera de la herramienta al principio del cepillado y en la parte posterior al final del cepillado. El cepillado será más fácil si inclina la pieza de trabajo de forma fija, para que pueda deslizarse por una ligera pendiente.

La velocidad y la profundidad de corte determinan el tipo de acabado. El cepillo eléctrico sigue cortando a una

velocidad que no provoca un atasco por virutas. Se puede aumentar la profundidad de corte para cortes rugosos, mientras que para un buen acabado debe reducirse la profundidad de corte y se debe avanzar más lentamente.

Galce (Rebajado) (Fig. 17)

Para realizar un corte por pasos como se muestra en la figura, utilice el tope de borde (regla de guía), que se obtiene como accesorio. (Fig. 18)
Trace una línea de corte en la pieza de trabajo. Inserte el tope de borde en el orificio en la parte delantera de la herramienta. Alinee el borde de la cuchilla con la línea de corte. (Fig. 19)
Ajuste el tope de borde hasta que entre en contacto con el lateral de la pieza de trabajo y fjela apretando el tornillo. (Fig. 20)

Cuando realice un cepillado, mueva la herramienta con el tope de borde bien asentado en el lateral de la pieza de trabajo. De lo contrario, el cepillado puede ser desigual. La profundidad de galce máxima (rebajado) es de 9 mm. (Fig. 21)

Quizás desea aumentar la longitud del tope colocando una pieza de madera adicional. Se proporcionan unos cómodos orificios en el borde con este propósito, así como para acoplar una guía de extensión (accesorio opcional).

Achaflanado (Fig. 22 y 23)

Para realizar un corte de achaflanado como se muestra en la figura, alinee la ranura "V" en la base delantera con el borde de la pieza de trabajo y cepíllela.

MANTENIMIENTO

⚠ PRECAUCIÓN:

- Asegúrese de apagar siempre la herramienta y extraer el cartucho de la batería antes de intentar realizar cualquier trabajo de inspección o mantenimiento en ella.
- Nunca utilice gasolina, benceno, disolvente, alcohol o un producto similar. Se puede provocar una decoloración, una deformación o grietas.

Afilado de las cuchillas del cepillo

Solamente para cuchillas convencionales (Fig. 24)

Mantenga siempre las cuchillas afiladas para el mejor rendimiento posible. Utilice el soporte de afilado (accesorio opcional) para eliminar muescas y lograr un borde fino. (Fig. 25)

Primero afloje las dos tuercas de mariposa en el soporte e inserte las cuchillas (A) y (B), para que entren en contacto con los lados (C) y (D). A continuación, apriete las tuercas de mariposa. (Fig. 26)

Sumerja la piedra de afilado en agua durante 2 ó 3 minutos antes del afilado. Sujete el soporte para que ambas cuchillas entren en contacto con la piedra de afilado para el afilado simultáneo en el mismo ángulo.

Sustitución de las escobillas de carbón (Fig. 27)

Extraiga y compruebe periódicamente las escobillas de carbón. Cámbielas cuando el desgaste alcance la marca de límite. Mantenga las escobillas de carbón limpias y de

forma que entren libremente en el portaescobillas. Ambas escobillas de carbón deberán ser sustituidas al mismo tiempo. Utilice únicamente escobillas de carbón idénticas. (Fig. 28 y 29)

Utilice un destornillador para extraer la cubierta de virutas o la boquilla. (Fig. 30)

Utilice un destornillador para extraer las tapas de los portaescobillas. Extraiga las escobillas de carbón gastadas, inserte las nuevas y vuelva a fijar los tapones portaescobillas.

Para mantener la SEGURIDAD y la FIABILIDAD del producto, las reparaciones y cualquier otra tarea de mantenimiento o ajuste deberán ser realizadas en centros de servicio autorizados por Makita, utilizando siempre repuestos Makita.

ACCESORIOS OPCIONALES

⚠ PRECAUCIÓN:

- Se recomienda el uso de estos accesorios o complementos con la herramienta Makita especificada en este manual. El uso de otros accesorios o complementos puede conllevar el riesgo de ocasionar daños corporales. Utilice los accesorios o complementos solamente para su fin establecido.

Si necesita cualquier ayuda para obtener más información relativa a estos accesorios, pregunte a su centro de servicio Makita local.

- Cuchilla de cepillo fabricada de acero de corte rápido
- Cuchilla de cepillo de carburo de tungsteno (para prolongar la vida de la cuchilla)
- Cuchilla pequeña del cepillo
- Conjunto de soporte de afilado
- Calibre de cuchilla
- Conjunto de placa de posicionamiento
- Tope de borde (regla de guía)
- Conjunto de guía de extensión
- Piedra de afilado
- Boquilla
- Conjunto de bolsa colectora de polvo
- Codo
- Llave de tubo
- Maletín de plástico para el transporte
- Diversos tipos de baterías y cargadores originales de Makita

NOTA:

- Algunos elementos de la lista se pueden incluir en el paquete de la herramienta como accesorios estándar. Pueden ser diferentes de un país a otro.

Ruido

ENG905-1

Niveles típicos de ruido ponderado A determinados conforme a EN60745:

Modelo DKP140

Nivel de presión de sonido (L_{pA}): 80 dB (A)
Incertidumbre (K): 3 dB (A)

El nivel de ruido durante el trabajo puede superar los 80 dB (A).

Modelo DKP180

Nivel de presión de sonido (L_{pA}): 84 dB (A)
Nivel de potencia de sonido (L_{WA}): 95 dB (A)
Incertidumbre (K): 3 dB (A)

Utilice protección para los oídos.

Vibración

ENG900-1

Valor total de la vibración (suma de vectores triaxiales) determinado según el estándar EN60745:

Modelo DKP140

Modo de trabajo: cepillado de madera blanda
Emisión de vibraciones (a_{h1}): 3,5 m/s²
Incertidumbre (K): 1,5 m/s²

Modelo DKP180

Modo de trabajo: cepillado de madera blanda
Emisión de vibraciones (a_{h1}): 4,5 m/s²
Incertidumbre (K): 1,5 m/s²

ENG901-1

- El valor de emisión de vibraciones se ha medido de acuerdo con el método de prueba estándar y se puede utilizar para comparar herramientas.
- El valor de emisión de vibraciones declarado también se puede usar en una evaluación preliminar de la exposición.

⚠ ADVERTENCIA:

- La emisión de vibraciones durante el uso de la herramienta eléctrica puede diferir del valor de emisiones declarado, dependiendo de las formas en que se utiliza la herramienta.
- Asegúrese de identificar las mediciones correctas para proteger al operario, que se basan en una estimación de la exposición en condiciones de uso reales (teniendo en cuenta todas las partes del ciclo de operaciones, como los momentos en los que la herramienta está apagada y cuando funciona al ralentí además del tiempo en que está activado el interruptor).

Solo para países europeos

ENH101-16

Declaración de conformidad de la CE

Nosotros, Makita Corporation, en calidad de fabricante responsable, declaramos que las siguientes máquinas Makita:

Designación de la máquina:

Cepillo Inalámbrico

Nº de modelo/ Tipo: DKP140, DKP180

son de producción en serie y

Cumplen con las siguientes Directivas europeas:

2006/42/CE

Y se han fabricado de acuerdo con los siguientes estándares o documentos estandarizados:

EN60745

La documentación técnica la conserva:

Makita International Europe Ltd.

Technical Department,

Michigan Drive, Tongwell,

Milton Keynes, Bucks MK15 8JD, Inglaterra

06. 06. 2013



Tomoyasu Kato

Director

Makita Corporation

3-11-8, Sumiyoshi-cho,
Anjo, Aichi, 446-8502, JAPAN

PORTUGUÊS (Instruções de origem)

Explicação da vista geral

- | | | |
|--|---|---|
| 1. Botão | 21. Extremidade da lâmina | 38. Atilho |
| 2. Indicador vermelho | 22. Parafusos | 39. Cotovelo |
| 3. Bateria | 23. Calcanhar | 40. Início |
| 4. Marca de estrela | 24. Lado posterior da base de medição | 41. Fim |
| 5. Apontador | 25. Chapa de medição | 42. Linha de corte |
| 6. Manípulo | 26. Base de medição | 43. Parafuso |
| 7. Alavanca de bloqueio | 27. Parafuso de cabeça côncava | 44. Vedação para escarificação (acessório opcional) |
| 8. Gatilho | 28. Engates de posicionamento da lâmina da plaina | 45. Suporte de afiamento |
| 9. Lâmina da plaina | 29. Calcanhar da chapa de ajuste | 46. Porca de orelhas |
| 10. Base traseira | 30. Chapa de acerto | 47. Lâmina (A) |
| 11. Pé | 31. Flanco interior da chapa de medição | 48. Lâmina (B) |
| 12. Chave de bocas | 32. Lado posterior da base de medição | 49. Lado (D) |
| 13. Parafuso | 33. Lâmina da mini-plaina | 50. Lado (C) |
| 14. Soltar | 34. Ranhura | 51. Marca de limite |
| 15. Apertar | 35. Parafusos de flange sextavados | 52. Tampa de farpas |
| 16. Parafusos | 36. Bocal | 53. Chave de fendas |
| 17. Tambor | 37. Saco de pó | 54. Tampa do porta-escovas |
| 18. Tampa do tambor | | |
| 19. Chapa de ajuste | | |
| 20. Extremidade interior da chapa de medição | | |

ESPECIFICAÇÕES

Modelo	DKP140	DKP180
Largura de plainagem	82 mm	
Profundidade de plainagem	1,6 mm	2 mm
Profundidade de encaixe flutuante	9 mm	
Sem velocidade de rotação em carga (min ⁻¹)	15.000	
Comprimento total	329 mm	333 mm
Peso líquido	3,3 kg	3,4 kg
Tensão nominal	C.C. 14,4 V	C.C. 18 V

- Devido à pesquisa e desenvolvimento constantes, estas especificações estão sujeitas a alteração sem aviso prévio.
- As especificações e o cartucho da bateria podem ser diferentes consoante o país.
- Peso, com a bateria, de acordo com o procedimento EPTA de 01/2003

Utilização destinada

A ferramenta destina-se a plainar madeira.

ENE001-1

Avisos gerais de segurança para ferramentas eléctricas

GEA010-1

⚠ AVISO Leia todos os avisos de segurança e todas as instruções. O não cumprimento dos avisos e instruções pode resultar na ocorrência de choques eléctricos, incêndios e/ou ferimentos graves.

Guarde todos os avisos e instruções para referência futura.

AVISOS DE SEGURANÇA DA PLAINA A BATERIA

GEB064-2

1. **Aguarde que o cortador pare antes de pousar a ferramenta.** Um cortador rotativo exposto pode engatar na superfície, levando a possíveis perdas de controlo e ferimentos graves.
2. **Utilize grampos ou outra forma prática de fixar e suportar a peça de trabalho a uma plataforma estável.** Segurar a peça com a mão ou contra o corpo deixa-a instável e poderá provocar a perda de controlo.
3. **Panos, tecidos, cabos, fios e semelhantes nunca devem ser deixados perto da zona de trabalho.**
4. **Evite cortar pregos.** Verifique a existência e retire todos os pregos da peça de trabalho, antes de utilizar.
5. **Utilize apenas lâminas afiadas.** Manuseie as lâminas com muito cuidado.
6. **Certifique-se de que os parafusos de fixação da lâmina estão bem apertados antes de utilizar.**
7. **Segure a ferramenta com firmeza, com as duas mãos.**
8. **Afaste as mãos das peças em movimento.**
9. **Antes de utilizar a ferramenta numa peça de trabalho, deixe-a a trabalhar durante algum tempo.** Procure a existência de vibrações ou abanamentos que possam indicar uma má fixação ou uma lâmina mal equilibrada.

10. Certifique-se de que a lâmina não está em contacto com a peça de trabalho antes de ligar o interruptor.
 11. Aguarde até que a lâmina atinja a velocidade máxima antes de cortar.
 12. Desligue sempre e aguarde que as lâminas parem completamente antes de efectuar qualquer ajuste.
 13. Nunca coloque o dedo na saída das farpas. A saída poderá encravar quando cortar madeira húmida. Limpe as farpas com um pau.
 14. Não abandone a ferramenta a funcionar. Ponha-a a funcionar apenas quando estiver a segurá-la.
 15. Mude sempre ambas as lâminas ou tampas no tambor, caso contrário o desequilíbrio resultante causará vibrações e diminuirá a longevidade da ferramenta.
 16. Utilize apenas lâminas Makita especificadas neste manual.
 17. Use sempre a máscara contra o pó/respirador correctos para o material e aplicação em que está a trabalhar.
6. Não guarde a ferramenta e a bateria em locais onde a temperatura possa atingir ou exceder 50°C (122°F).
 7. Não incinere a bateria, nem mesmo se esta estiver irremediavelmente danificada ou completamente gasta. Pode explodir e causar um incêndio.
 8. Não a deixe cair e evite o choque com outros objectos.
 9. Não utilize uma bateria danificada.
 10. Siga os regulamentos locais relacionados com a eliminação da bateria.

GUARDE ESTAS INSTRUÇÕES.

Sugestões para o máximo de tempo de vida da bateria

1. Não espere que a bateria se gaste completamente para voltar a carregá-la. Pare a ferramenta e carregue a bateria sempre que detectar um baixo nível de energia.
2. Nunca volte a carregar uma bateria já completamente carregada. O carregamento excessivo diminui o tempo de vida das baterias.
3. Carregue a bateria em locais onde a temperatura se situe entre 10°C e 40°C (50°F - 104°F). Se a bateria estiver quente, deixe-a arrefecer antes de iniciar o carregamento.
4. Carregue a bateria uma vez a cada seis meses se não a utilizar durante um longo período.

GUARDE ESTAS INSTRUÇÕES.

⚠ AVISO:

NÃO deixe que o conforto ou familiaridade com o produto (obtida de uma utilização regular) substituam um cumprimento severo das regras de segurança do produto em causa.

Uma UTILIZAÇÃO INCORRECTA ou não cumprimento das regras de segurança indicadas neste manual de instruções podem provocar ferimentos pessoais sérios.

INSTRUÇÕES DE SEGURANÇA IMPORTANTES

ENC007-8

RELATIVAS À BATERIA

1. Antes de utilizar a bateria, leia as instruções e chamadas de atenção de: (1) o carregador da bateria, (2) a bateria e (3) o produto que utiliza a bateria.
2. Não desmonte a bateria.
3. Se o tempo de utilização com a bateria se tornar demasiado curto, deve parar imediatamente. Se continuar, pode causar sobreaquecimento, incêndio e mesmo explosões.
4. Se o electrólito entrar em contacto com os olhos, enxágue-os com água limpa e consulte imediatamente um médico. Os riscos incluem perda de visão.
5. Não provoque um curto-circuito na bateria:
 - (1) Não deixe que quaisquer materiais condutores entrem em contacto com os terminais da bateria.
 - (2) Evite guardar a bateria juntamente com outros objectos de metal como pregos, moedas, etc.
 - (3) Não exponha a bateria a água ou chuva. Um curto-circuito na bateria pode criar uma grande carga eléctrica, sobreaquecimento, fogo e uma quebra da corrente.

DESCRIÇÃO DO FUNCIONAMENTO

⚠ PRECAUÇÃO:

- Certifique-se sempre de que a ferramenta está desligada e que a bateria foi removida antes de proceder a ajustes ou testar acessórios.

Instalar ou retirar a bateria (Fig. 1)

- Desligue sempre a ferramenta antes de colocar ou remover a bateria.
- Para retirar a bateria, retire-a premido o botão na frente da bateria e puxe.
- Para colocar a bateria, alinhe a respectiva saliência com a calha do compartimento e encaixe-a suavemente. Insira-a completamente até fixar em posição com um clique. Se ainda estiver visível o indicador vermelho na parte superior do botão, não estará bem encaixado. Coloque-a completamente, até deixar de ver o indicador vermelho. Caso contrário, pode cair da ferramenta e causar ferimentos em si, ou em alguém que esteja perto de si.
- Não exerça força ao colocar a bateria. Se não encaixar facilmente é porque não está correctamente posicionada.

Sistema de protecção da bateria (bateria com uma marca de estrela) (Fig. 2)

A bateria com uma marca de estrela está equipada com um sistema de protecção, que desliga automaticamente a alimentação, aumentando a vida útil.

A ferramenta pára durante o funcionamento quando a ferramenta e/ou bateria são colocados sob as situações seguintes. Tal é causado pela activação do sistema de protecção e não constitui uma avaria da ferramenta.

- Quando a ferramenta estiver sobrecarregada:
Solte o gatilho, retire a bateria e elimine a origem da sobrecarga e puxe novamente o gatilho para reiniciar.
- Quando as células da bateria aquecem:
Se o gatilho for accionado, o motor permanece parado. Nesta altura, pare a utilização da ferramenta e arrefeça ou carregue a bateria depois de a retirar da ferramenta.
- Quando a capacidade restante da bateria ficar fraca:
Se o gatilho for accionado, o motor permanece parado. Nesta altura, retire a bateria da ferramenta e carregue-a.

Ajustar a profundidade de corte (Fig. 3)

A profundidade de corte poderá ser ajustada rodando o manípulo na frente da ferramenta, para que o ponteiro aponte para a profundidade de cor pretendida.

Ação do interruptor (Fig. 4)

PRECAUÇÃO:

- Antes de colocar a bateria na ferramenta, verifique se o gatilho está a funcionar correctamente e se regressa à posição "OFF" quando o solta.
- Não puxe com força o gatilho sem pressionar a alavanca de bloqueio. Isto poderá quebrar o interruptor.

Para evitar que o gatilho seja acidentalmente puxado, é fornecida uma alavanca de bloqueio. Para iniciar a ferramenta, deslize a alavanca de bloqueio e puxe o gatilho. Para parar a ferramenta, solte o gatilho.

AVISO:

- Para a sua segurança, esta ferramenta está equipada com uma alavanca de bloqueio, o que evita que a ferramenta se ligue acidentalmente. NUNCA utilize a ferramenta se esta funcionar quando premir o gatilho sem premir a alavanca de bloqueio. Devolva a ferramenta a um centro de serviço MAKITA para que seja correctamente reparada ANTES de utilizar.
- NUNCA coloque fita-cola ou desactive o objectivo e função da alavanca de bloqueio.

Para evitar que o gatilho seja acidentalmente puxado, é fornecido botão de bloqueio.

Para iniciar a ferramenta, pressione o botão de bloqueio e puxe o gatilho. Para parar a ferramenta, solte o gatilho.

Pé (Fig. 5)

Após uma operação de corte, levante o lado posterior da ferramenta, saindo um pé debaixo da parte nivelada da base traseira. Isto evita danificar as lâminas da ferramenta.

MONTAGEM

PRECAUÇÃO:

- Certifique-se sempre de que a ferramenta está desligada e a bateria removida, antes de efectuar qualquer operação na ferramenta.

Remover ou instalar as lâminas da plaina

PRECAUÇÃO:

- Aperte bem os parafusos de fixação da lâmina quando fixar as lâminas à ferramenta. Um parafuso de fixação solto pode ser perigoso. Verifique sempre se estão bem apertados.
- Manuseie as lâminas com muito cuidado. Utilize luvas ou panos para proteger os dedos ou mãos quando retirar ou instalar as lâminas.
- Utilize apenas a chave Makita fornecida para instalar ou remover as lâminas. Caso contrário, poderá apertar em demasia ou insuficientemente os parafusos de fixação. Isto poderá causar ferimentos.

Para ferramentas com as lâminas de plaina convencionais (Fig. 6 - 8)

Para remover as lâminas no tambor, desaperte os parafusos de fixação com a chave de bocas. A tampa do tambor sai juntamente com as lâminas.

Para montar as lâminas, limpe primeiro todas as farpas ou material estranho que esteja colado ao tambor ou lâminas. Utilize lâminas das mesmas dimensões e peso, caso contrário resultará em oscilação/vibração do tambor, o que causará uma fraca acção de plainagem e, por fim, a avaria da ferramenta.

Coloque a lâmina na base de medição, para que a extremidade da lâmina esteja perfeitamente encaixada com a extremidade interior da chapa de medição. Coloque a chapa de ajuste na lâmina e pressione o calcanhar da chapa de ajuste até encaixar com o lado posterior da base de medição e aperte os dois parafusos na chapa de ajuste. Agora, deslize o calcanhar a chapa de ajuste para a ranhura do tambor e coloque a tampa do tambor por cima. Aperte todos os parafusos de fixação de forma uniforme e alternada com a chave de bocas. Repita os procedimentos acima para a outra lâmina.

Para ferramentas com as lâminas de mini-plaina (Fig. 9)

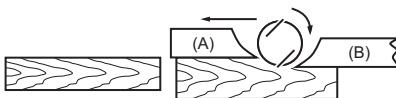
1. Retire a lâmina existente, se a ferramenta tiver estado em utilização, limpe cuidadosamente as superfícies do tambor e a tampa do tambor. Para remover as lâminas no tambor, desaperte os três parafusos de fixação com a chave de bocas. A tampa do tambor sai juntamente com as lâminas. (Fig. 10)
2. Para montar as lâminas, coloque a chapa de ajuste sem prender na chapa de acerto com os parafusos de cabeça plana e coloque a lâmina da mini-plaina na base de medição, para que a extremidade de corte da lâmina esteja perfeitamente encaixada com o flanco interior da chapa de medição.
3. Coloque a chapa de acerto/chapa de ajuste na base de medição, de forma a que os engates de posicionamento da lâmina da plaina na chapa de acerto assentem no encaixe da lâmina da mini-plaina, de seguida pressione o calcanhar da chapa de ajuste até encaixar com o lado posterior da base de medição e aperte os parafusos de cabeça plana.
4. É importante que a lâmina encaixe totalmente com o flanco interior da chapa de medição, que os encaixes de posicionamento da lâmina da plaina assentem no encaixe da lâmina e que o calcanhar da chapa de ajuste esteja totalmente encaixada com o lado posterior da base de medição. Verifique

- cuidadosamente este alinhamento para garantir um corte uniforme.
- Deslize o calcanhar da chapa de ajuste no encaixe do tambor. (Fig. 11)
 - Coloque a tampa do tambor por cima da chapa de acerto/chapa de ajuste e aparafuse os três parafusos de flange sextavados, de forma exista uma folga entre o tambor e a chapa de acerto para deslizar a lâmina da mini-plaina para a posição adequada. A lâmina será posicionada pelos engates de posicionamento da lâmina da plaina na chapa de acerto.
 - O ajuste da lâmina ao comprimento terá de ser posicionado manualmente, de forma a que as extremidades da lâmina estejam afastadas e equidistantes do alojamento num dos lados e o suporte de metal no outro.

(A) Base frontal (sapata móvel)

(B) Base traseira (sapata fixa)

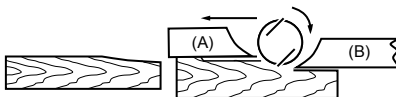
Acerto correcto



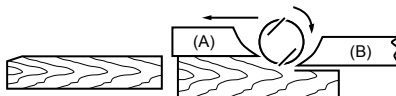
Imperfeições na superfície



Ranhuras no início



Ranhuras no fim



- Aperte os três parafusos de flange sextavados (com a chave de bocas fornecida) e rode o tambor para verificar a existência de folgas entre as extremidades da lâmina e o corpo da ferramenta.
- Verifique os três parafusos de flange sextavados para o aperto final.
- Repita os procedimentos 1 - 9 para a outra lâmina.

Para a definição correcta da lâmina da plaina

A superfície de plainagem ficará áspera e irregular, a não ser que a lâmina esteja acertada correcta e fixamente. A lâmina deve ser montada de forma a que a extremidade de corte esteja absolutamente nivelada, ou seja, paralela à superfície da base traseira.

Consulte em baixo alguns exemplos de acertos adequados e incorrectos.

Embora esta vista de lado não a possa mostrar, as extremidades das lâminas deslizam perfeitamente em paralelo com a superfície da base traseira.

Causa: Uma ou ambas as lâminas não possuem uma extremidade paralela à linha da base traseira.

Causa: Uma ou ambas as extremidades das lâminas não estão suficientemente salientes em relação à linha da base traseira.

Causa: Uma ou ambas as extremidades das lâminas estão demasiado salientes em relação à linha da base traseira.

EN0004-1

Saco do pó (acessório) (Fig. 12)

Para ferramentas sem bocal

Retire a tampa de farpas e instale o bocal (acessório opcional). Encaixe o saco de pó no bocal. O bocal é cónico. Quando colocar o saco do pó, empurre-o firmemente ao máximo para o bocal, para evitar que saia durante o funcionamento.

Para ferramentas com bocal

Encaixe o saco de pó no bocal. O bocal é cónico. Quando colocar o saco do pó, empurre-o firmemente ao máximo para o bocal, para evitar que saia durante o funcionamento. (Fig. 13)

Quando o saco do pó estiver meio cheio, retire o saco do pó da ferramenta e puxe o fixador para fora. Esvazie o saco do pó, batendo-lhe ligeiramente de forma a remover as partículas coladas ao interior, que poderão interferir nas recolhas posteriores.

NOTA:

- Se ligar um aspirador Makita a esta ferramenta, poderão ser efectuadas operações mais eficientes e mais limpas.

Ligar um aspirador (Fig. 14)

Para ferramentas sem bocal

Quando pretender efectuar uma operação de plainagem limpa, ligue um aspirador Makita à sua ferramenta. Antes de ligar o aspirador, retire a tampa de farpas da ferramenta. De seguida, ligue um tubo flexível do aspirador ao bocal (acessório opcional), tal como indicado nas ilustrações.

Para ferramentas com bocal

Quando pretender efectuar uma operação de plainagem limpa, ligue um aspirador Makita à sua ferramenta. De seguida, ligue um tubo flexível do aspirador ao bocal, tal como indicado nas figuras.

Cotovelo (acessório opcional) (Fig. 15)

A utilização do cotovelo permite mudar a direcção da descarga de farpas para efectuar um trabalho mais limpo.

Para ferramentas sem bocal

Retire a tampa de farpas e instale o bocal (acessório opcional). Encaixe o cotovelo (acessório opcional) no bocal da ferramenta, encaixando-o. Para o remover, basta retirá-lo.

Para ferramentas com bocal

Encaixe o cotovelo (acessório opcional) no bocal da ferramenta, encaixando-o. Para o remover, basta retirá-lo.

FUNCIONAMENTO

Segure firmemente com uma mão no manípulo e a outra mão na pega do gatilho, quando trabalhar com a ferramenta.

Ação de plainar (Fig. 16)

Em primeiro lugar, assente a base frontal da ferramenta na superfície da peça de trabalho, sem que as lâminas façam qualquer contacto. Ligue e aguarde até que as lâminas atinjam a velocidade máxima. De seguida, mova a ferramenta suavemente para a frente. Aplique pressão na frente da ferramenta no início da plainagem e na parte posterior no fim da plainagem. A plainagem será mais fácil se inclinar a peça de trabalho de forma fixa, para que possa plainar um pouco inclinado para baixo.

A velocidade e profundidade de corte determinam o tipo de acabamento. A plaina eléctrica continua a cortar a uma velocidade que não resulte em encravamento devido a farpas. Para desbaste, é possível aumentar a profundidade de corte, embora para obter um bom acabamento deva reduzir a profundidade de corte e avançar a ferramenta mais lentamente.

Ranhuragem (Fig. 17)

Para fazer um corte de degrau tal como o apresentado na figura, utilize a protecção de escarificação (guia) que é obtida como acessório. (Fig. 18)

Desenhe uma linha de corte na peça de trabalho. Insira a protecção de escarificação no orifício na frente da ferramenta. Alinhe a extremidade da lâmina com a linha de corte. (Fig. 19)

Ajuste a protecção de escarificação até entrar em contacto com a parte lateral da peça de trabalho, de seguida, fixe-a apertando o parafuso. (Fig. 20)

Quando plainar, mova a ferramenta com a protecção de escarificação encostada ao lado da peça de trabalho. Caso contrário, poderá ocorrer uma plainagem irregular. A profundidade máxima de ranhuragem é de 9 mm. (Fig. 21)

Poderá pretender acrescentar ao comprimento da protecção colocando um pedaço adicional de madeira. Existem orifícios convenientes na protecção para este objectivo e também para colocar um guia de extensão (acessório opcional).

Chanfradura (Fig. 22 e 23)

Para fazer um corte de chanfradura tal como mostrado na figura, alinhe o encaixe "V" na base frontal com a extremidade da peça de trabalho e faça a plainagem.

MANUTENÇÃO

⚠ PRECAUÇÃO:

- Certifique-se sempre de que a ferramenta está desligada e a bateria removida antes de efectuar operações de inspecção ou de manutenção.
- Nunca utilize gasolina, benzina, diluente, álcool ou semelhante. Podem formar-se descolorações, deformações ou fissuras.

Afiar as lâminas da plaina

Apenas para lâminas convencionais (Fig. 24)

Mantenha sempre as lâminas afiadas para obter o melhor desempenho possível. Utilize o fixador de afiamento (acessório opcional) para remover as imperfeições e produzir uma extremidade fina. (Fig. 25)

Em primeiro lugar, solte as duas porcas de orelhas no suporte e insira as lâminas (A) e (B), de forma a que entrem em contacto com os lados (C) e (D). De seguida, aperte as porcas de orelhas. (Fig. 26)

Coloque a pedra de amolar em água durante 2 ou 3 minutos antes de afiar. Segure no suporte de forma a que ambas as lâminas entrem em contacto com a pedra de amolar, para afiar ao mesmo tempo no mesmo ângulo.

Substituição das escovas de carvão (Fig. 27)

Remova e verifique regularmente as escovas de carvão. Substitua-as quando o desgaste atingir a marca limite.

Mantenha-as limpas para poderem deslizar no porta-escovas. Substitua as duas ao mesmo tempo. Utilize unicamente escovas de carvão idênticas. (Fig. 28 e 29) Utilize uma chave de fendas para retirar a tampa de farpas ou bocal. (Fig. 30)

Utilize uma chave de parafusos para remover as tampas do porta-escovas. Retire as escovas usadas, coloque umas novas e fixe as tampas do porta-escovas.

Para manter os níveis de SEGURANÇA e FIABILIDADE definidos para este produto, as reparações e os procedimentos de manutenção ou ajustes devem ser executados por centros de assistência Makita autorizados, utilizando sempre peças de substituição Makita.

ACESSÓRIOS OPCIONAIS

⚠ PRECAUÇÃO:

- Os seguintes acessórios ou extensões são os recomendados para utilizar com a ferramenta Makita especificada neste manual. A utilização de quaisquer outros acessórios poderá representar um risco de ferimento para as pessoas. Apenas utilize o acessório para o fim indicado.

Se precisar de informações adicionais relativas aos acessórios, contacte o centro local de assistência Makita.

- Lâmina da plaina de aço de alta velocidade
- Lâmina da plaina de carbono de tungsténio (para uma maior longevidade da lâmina)
- Lâmina da mini-plaina
- Suporte de afiamento
- Medidor da lâmina
- Chapa de acerto
- Vedação para escarificação (guia paralela)

- Conjunto de guia de extensão
- Pedra de amolar
- Bocal
- Montagem do saco de pó
- Cotovelo
- Chave de bocas
- Saco de transporte de plástico
- Vários tipos de baterias e carregadores Makita genuínos

NOTA:

- Alguns itens na lista podem estar incluídos no pacote de ferramentas como acessórios de série. Podem diferir de país para país.

Ruído

ENG905-1

Os níveis acústicos ponderados A típicos foram determinados segundo a EN60745:

Modelo DKP140

Nível de pressão sonora (L_{pA}): 80 dB (A)

Incerteza (K): 3 dB (A)

O nível de ruído quando em funcionamento pode exceder os 80 dB (A).

Modelo DKP180

Nível de pressão sonora (L_{pA}): 84 dB (A)

Nível de potência sonora (L_{WA}): 95 dB (A)

Incerteza (K): 3 dB (A)

Use protecção para os ouvidos.

Vibrações

ENG900-1

O valor total da vibração (soma triaxial de vectores) foi determinado segundo a EN60745:

Modelo DKP140

Modo de trabalho: plainar madeira de resinosas

Emissão de vibração (a_h): 3,5 m/s²

Incerteza (K): 1,5 m/s²

Modelo DKP180

Modo de trabalho: plainar madeira de resinosas

Emissão de vibração (a_h): 4,5 m/s²

Incerteza (K): 1,5 m/s²

ENG901-1

- O valor da emissão de vibração declarado foi medido de acordo com o método de teste padrão e pode ser utilizado para comparar uma ferramenta com outra.
- O valor da emissão de vibração declarado pode também ser utilizado numa avaliação preliminar de exposição.

⚠ AVISO:

- A emissão de vibração durante a utilização real da ferramenta eléctrica pode ser diferente do valor de emissão declarado, dependendo da forma como a ferramenta é utilizada.
- Certifique-se de que identifica medidas de segurança, para proteger o operador, que são baseadas numa estimativa de exposição nas condições reais de utilização (tendo em conta todas as partes do ciclo de funcionamento, como as vezes que a ferramenta é desligada e quando está a trabalhar ao ralenti, além do tempo de utilização).

Apenas para países europeus

ENH101-16

Declaração de conformidade CE

Nós, a Makita Corporation, como fabricante responsável, declaramos que a(s) máquina(s) Makita seguinte(s):

Designação da máquina:

Plaina a Bateria

Nº/Tipo de modelo: DKP140, DKP180

são de produção em série e

Estão em conformidade com as Directivas Europeias seguintes:

2006/42/EC

E são fabricadas de acordo com as normas e documentos padronizados seguintes:

EN60745

A documentação técnica é mantida por:

Makita International Europe Ltd.

Technical Department,

Michigan Drive, Tongwell,

Milton Keynes, Bucks MK15 8JD, Inglaterra

06. 06. 2013



Tomoyasu Kato

Director

Makita Corporation

3-11-8, Sumiyoshi-cho,

Anjo, Aichi, 446-8502, JAPAN

DANSK (Originalvejledning)

Forklaring til generel oversigt

1. Knap	19. Justeringsplade	37. Støvpose
2. Rød indikator	20. Målepladens inderkant	38. Lukkemekanisme
3. Batteripakke	21. Høvljernet skær	39. Rørbøjning
4. Stjernemærke	22. Skrue	40. Start
5. Pil	23. Hæl	41. Slut
6. Knap	24. Bagside af målebase	42. Skærelinje
7. Låsehåndtag	25. Måleplade	43. Skrue
8. Kontaktgreb	26. Målebase	44. Kantafskærmning (ekstraudstyr)
9. Høvljern	27. Rundhovedet skrue	45. Slibningsholder
10. Bagende	28. Høvljernet styrehuller	46. Vingemøtrik
11. Fodstykke	29. Justeringspladens hæl	47. Høvljern (A)
12. Topnøgle	30. Fastgøringsplade	48. Høvljern (B)
13. Bolt	31. Målepladens indre frigangsflade	49. Side (D)
14. Løsn	32. Bagside af målebase	50. Side (C)
15. Stram	33. Minihøvljern	51. Slidgrænse
16. Bolte	34. Rille	52. Spåndæksel
17. Tromle	35. Sekskantede flangehovedbolte	53. Skruetrækker
18. Tromledæksel	36. Mundstykke	54. Kulholderdæksel

SPECIFIKATIONER

Model	DKP140	DKP180
Høvlbredde	82 mm	
Høvl dybde	1,6 mm	2 mm
Overfalsningsdybde	9 mm	
Hastighed uden belastning (min ⁻¹)	15.000	
Længde i alt	329 mm	333 mm
Nettovægt	3,3 kg	3,4 kg
Nominal spænding	14,4 V jævnstrøm	18 V jævnstrøm

- På grund af vores løbende forsknings- og udviklingsprogram kan specifikationerne heri ændres uden forudgående varsel.
- Specifikationerne og batteripakken kan variere fra land til land.
- Vægt, inklusive batteripakken, i henhold til EPTA-Procedure 01/2003

Tilsigtet brug

Maskinen er beregnet til træafhøvling.

ENE001-1

Generelle sikkerhedsadvarsler for maskiner

GEA010-1

⚠ ADVARSEL Læs alle sikkerhedsadvarsler og alle instruktioner. Hvis De ikke følger alle advarsler og instruktioner, kan det medføre elektrisk stød, brand og/eller alvorlig personskade.

Gem alle advarsler og instruktioner til senere reference.

SIKKERHEDSADVARSLER FOR BATTERIDREJET HØVL

GEB064-2

1. **Vent på at høvljernet stopper, før du sætter maskinen ned.** Et blottet roterende høvljern kan komme i kontakt med overfladen og føre til manglende kontrol over maskinen og alvorlige skader.
2. **Anvend skruetvinger eller en anden praktisk metode til at fastgøre og understøtte**

arbejdsemnet på et solidt underlag. Hvis du holder emnet i hånden eller mod kroppen, bliver det ustabil, og du risikerer at miste kontrollen over det.

3. **Der bør aldrig ligge klude, snore og lignende i nærheden af arbejdsområdet.**
4. **Undgå at skære i søm. Se efter, og fjern alle søm fra arbejdsemnet før arbejdet.**
5. **Brug kun skarpe høvljern. Håndter høvljernene yderst forsigtigt.**
6. **Sørg for, at høvljernet monteringsbolte er helt fastspændte, før værktøjet tages i brug.**
7. **Hold godt fast i maskinen med begge hænder.**
8. **Hold hænderne på afstand af roterende dele.**
9. **Lad maskinen køre et stykke tid, før den benyttes på et arbejdsemne. Hold øje med vibrationer eller svinger, der kan være tegn på en forkert montering eller et dårligt afbalanceret høvljern.**
10. **Sørg for, at høvljernet ikke har kontakt med arbejdsemnet, før der tændes på kontakten.**
11. **Vent, til høvljernet når fuld hastighed, før du skærer.**
12. **Du skal altid slukke for værktøjet og vente på, at høvljernene er standset helt, før du foretager nogen justeringer.**

13. Stik aldrig fingeren ind i spånrenden. Renden kan blive blokeret, når maskinen skærer i fugtigt træ. Fjern spånerne med en pind.
14. Gå ikke fra maskinen, mens den kører. Lad kun maskinen køre, mens du holder den i hænderne.
15. Skift altid begge høvljern eller dæksler, da ubalancen ellers vil give vibreringer og forkorte værktøjets holdbarhed.
16. Brug kun de Makita-høvljern, der er angivet i denne brugsanvisning.
17. Anvend altid korrekt støvmaske/ åndedrætsbeskyttelse til det materiale og formål, du arbejder med.

GEM DISSE INSTRUKTIONER.

ADVARSEL:

LAD IKKE tryghed eller kendskab til produktet (fra gentagen brug) føre til, at du ikke strengt overholder sikkerhedsreglerne for det gældende produkt. MISBRUG eller manglende overholdelse af sikkerhedsreglerne i denne brugsanvisning kan medføre alvorlig personskade.

CONSIGNES DE SÉCURITÉ IMPORTANTES

ENC007-8

POUR LA BATTERIE

1. Avant d'utiliser la batterie, veuillez lire toutes les instructions et tous les avertissements inscrits sur (1) le chargeur, (2) la batterie et (3) l'appareil alimenté par la batterie.
2. Ne démontez pas la batterie.
3. Cessez immédiatement d'utiliser l'outil si le temps de fonctionnement devient excessivement court. Il y a risque de surchauffe, de brûlures, voire d'explosion.
4. Si l'électrolyte pénètre dans vos yeux, rincez-les à l'eau claire et consultez immédiatement un médecin. Il y a risque de perte de la vue.
5. Évitez de court-circuiter la batterie :
 - (1) Ne touchez les bornes avec aucun matériau conducteur.
 - (2) Évitez de ranger la batterie dans un contenant où se trouvent d'autres objets métalliques tels que des clous, pièces de monnaie, etc.
 - (3) N'exposez pas la batterie à l'eau ou à la pluie. Un court-circuit de la batterie risque de provoquer un fort courant, une surchauffe, parfois des brûlures et même une panne.
6. Ne rangez pas l'outil ou la batterie dans des endroits où la température risque d'atteindre ou de dépasser 50°C (122°F).
7. Ne jetez pas la batterie au feu même si elle est sérieusement endommagée ou complètement épuisée. La batterie peut exploser au contact du feu.
8. Veillez à ne pas laisser tomber ou heurter la batterie.
9. N'utilisez pas de batterie endommagée.

10. Respectez les réglementations locales relatives à la mise au rebut des batteries.

CONSERVEZ CES INSTRUCTIONS.

Conseils pour assurer la durée de vie optimale de la batterie

1. Rechargez la batterie avant qu'elle ne soit complètement épuisée. Arrêtez toujours l'outil et rechargez la batterie quand vous constatez que la puissance de l'outil diminue.
2. Ne rechargez jamais une batterie complètement chargée. La surcharge réduit la durée de service de la batterie.
3. Chargez la batterie alors que la température de la pièce se trouve entre 10°C et 40°C (50°F et 104°F). Si une batterie est chaude, laissez-la refroidir avant de la charger.
4. Si vous n'utilisez pas l'outil pendant une période prolongée, rechargez la batterie tous les six mois.

FONKTIONSBESKRIVELSE

FORSIGTIG:

- Sørg altid for, at maskinen er slukket, og at batteripakken er taget ud, før du justerer maskinen eller kontrollerer dens funktion.

Montering eller afmontering af batteripakke (Fig. 1)

- Sluk maskinen inden batteripakken monteres eller afmonteres.
- Tag batteripakken ud ved at holde ned på knappen foran på batteripakken og skubbe den ud.
- Ved montering af batteripakken justeres tungen på batteripakken med rillen i huset, hvorefter pakken skubbes på plads. Sæt den altid hele vejen ind, indtil den låses på plads med et lille klik. Hvis den røde indikator øverst på knappen er synlig, er batteripakken ikke låst helt fast. Sæt den helt ned, indtil den røde indikator ikke længere er synlig. Ellers kan den falde ud af maskinen og skade dig eller andre personer i nærheden.
- Brug ikke magt ved montering af batteripakken. Hvis den ikke glider let ind, er den ikke indsat korrekt.

Batteribeskyttelsessystem (batteripakke med et stjernemærke) (Fig. 2)

Batteripakken med et stjernemærke er udstyret med et beskyttelsessystem, der automatisk slår strømmen fra for at forlænge levetiden.

Maskinen stopper under anvendelsen, når maskinen og/eller batteripakken udsættes for følgende situation. Dette skyldes aktiveringen af beskyttelsessystemet og er ikke et tegn på fejl ved maskinen.

- Når maskinen er overbelastet:
 - I dette tilfælde skal du slippe kontaktgrebet, afmontere batteripakken og fjerne årsagen til

- overbelastningen, og derefter tryk ind på kontaktgrebet igen for at genstarte.
- Når battericeller bliver varme:
 - Motoren forbliver stoppet, selvom kontaktgrebet betjenes. I dette tilfælde skal du stoppe brugen af maskinen og afkøle eller oplade batteripakken, efter den er taget ud af maskinen.
- Når den resterende batterikapacitet bliver lav:
 - Motoren forbliver stoppet, selvom kontaktgrebet betjenes. I dette tilfælde skal du tage batteripakken ud af maskinen og oplade den.

Indstilling af skæredybde (Fig. 3)

Skæredybden kan justeres ganske enkelt ved at dreje på knappen foran på maskinen, således at pilen peger på den ønskede skæredybde.

Betjening af kontaktgreb (Fig. 4)

⚠ FORSIGTIG:

- Før batteripakken sættes i maskinen, skal du altid kontrollere, at kontaktgrebet reagerer korrekt og vender tilbage i "OFF"-stillingen, når du slipper det.
- Træk ikke hårdt i kontaktgrebet uden at trykke på låsehåndtaget. Dette kan ødelægge kontakten.

Et låsehåndtag forhindrer, at kontaktgrebet aktiveres ved et uheld. Maskinen startes ved at trykke på låsehåndtaget og trække i kontaktgrebet. Slip kontaktgrebet for at stoppe.

⚠ ADVARSEL:

- Af hensyn til din sikkerhed er maskinen forsynet med et låsehåndtag, der forhindrer, at maskinen starter ved et uheld. Brug ALDRIG maskinen, hvis den kører, når du trækker i kontaktgrebet uden at trykke på låsehåndtaget. Indlever maskinen til et MAKITA-servicecenter til reparation, FØR den benyttes igen.
- Du må ALDRIG fastgøre låsehåndtaget med tape eller omgå dets funktion.

En sikringsknap forhindrer, at afbryderkontakten trykkes ind ved et uheld.

Maskinen startes ved at trykke sikringsknappen ind og trække i afbryderkontakten. Slip kontaktgrebet for at stoppe.

Fodstykke (Fig. 5)

Efter en skæring skal du hæve bagenden på maskinen, så der kommer et fodstykke frem under bagenden. Dette forhindrer, at høvljernene bliver beskadiget.

MONTERING

⚠ FORSIGTIG:

- Sørg altid for, at maskinen er slukket, og at batteripakken er taget ud, før du udfører nogen form for arbejde på maskinen.

Afmontering eller montering af høvljern

⚠ FORSIGTIG:

- Spænd høvljernet monteringsbolte omhyggeligt, når du monterer høvljernerne på maskinen. En løs monteringsbolt kan være farlig. Kontroller altid, at de er fastspændt ordentligt.

- Håndter høvljernerne yderst forsigtigt. Brug handsker eller klude til at beskytte fingrene eller hænderne, når du fjerner eller monterer høvljernerne.
- Anvend kun den medfølgende Makita-skruenøgle til at montere eller afmontere høvljernerne. Ellers kan det føre til, at monteringsboltene bliver spændt enten for løst eller for stramt. Det kan føre til personskader.

For maskine med almindelige høvljern (Fig. 6 - 8)

For at fjerne tromlens høvljern skal du løsne monteringsboltene med topnøglen. Tromledækslet kommer af sammen med høvljernerne.

For at installere høvljernerne skal du først fjerne alle spåner og andre fremmedobjekter, der måtte sidde på tromlen eller høvljernerne. Brug høvljern med samme størrelse og vægt, da det ellers vil føre til svingninger/vibreringer i tromlen og dermed til en dårlig afhøvling og i sidste ende til ødelæggelse af maskinen. Placer høvljernet på målebaser, så høvljernet skær er fuldstændigt på linje med den indvendige kant af målepladen. Placer justeringspladen på høvljernet, og tryk derefter justeringspladens bagkant ind, så den flugter med bagsiden af målebaser, og stram de to skruer på justeringspladen. Skub nu justeringspladens bagkant ind i tromlens rille, og sæt tromledækslet på plads henover. Stram alle monteringsboltene lige meget med topnøglen. Gentag procedurerne ovenfor for det andet høvljern.

For maskine med minihøvljern (Fig. 9)

1. Fjern det eksisterende høvljern, hvis maskinen har været i brug, og rengør omhyggeligt tromleoverfladerne og tromledækslet. For at fjerne tromlens høvljern skal du løsne de tre monteringsbolte med topnøglen. Tromledækslet kommer af sammen med høvljernerne. (Fig. 10)
2. Ved montering af høvljernerne skal du løst fastgøre justeringspladen til fastgøringspladen med de rundhovedede skruer og sætte minihøvljernet på målebaser, så klingens skærekant flugter perfekt med målepladens indre frigangsflade.
3. Sæt justeringspladen/fastgøringspladen på målebaser, så høvljernet styrehuller på fastgøringspladen hviler i minihøvljernet rille, tryk derefter justeringspladens bagkant ind, så den flugter med bagsiden af målebaser, og stram de rundhovedede skruer.
4. Det er vigtigt, at høvljernet flugter med målepladens indre frigangsflade, at høvljernet styrehuller sidder i klingens rille, og at justeringspladens bagkant flugter med bagsiden af målebaser. Kontroller justeringen nøje for at sikre ensformig skæring.
5. Sæt justeringspladens bagkant ind i tromlens rille. (Fig. 11)
6. Sæt tromledækket over justeringspladen/fastgøringspladen, og skru de tre sekskantede flangehovedbolte i, så der er et mellemrum mellem tromlen og lågen, hvor minihøvljernet kan sættes på plads. Jernet indstilles af høvljernet styrehuller på fastgøringspladen.
7. Høvljernet justering på langs skal indstilles manuelt, så høvljernet ender er frilagt og lige langt fra huset på den ene side og metalarmen på den anden.
8. Stram de tre sekskantede flangehovedbolte (med den medfølgende topnøgle), og drej tromlen for at

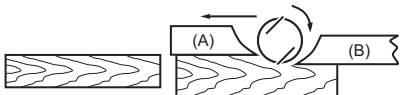
kontrollere, at der er frigang mellem høvljernet ender og maskinen.

9. Kontroller, at de tre sekskantede flangehovedbolte er spændt tilstrækkeligt.
10. Gentag procedureerne 1-9 for det andet høvljern.

(A) Forende (bevægeligt føringsanslag)

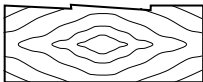
(B) Bagende (stationær føringsanslag)

Korrekt indstilling



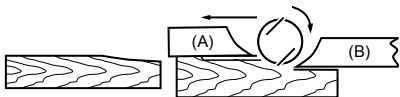
Selvom denne sidevisning ikke kan vise det, ligger høvljernet helt parallelt med bagendens overflade.

Hak i overfladen



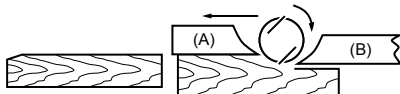
Årsag: Et eller begge høvljernes kanter ligger ikke parallelt med bagendens linje.

Fugehøvling ved start



Årsag: Et eller begge høvljernes kanter stikker ikke tilstrækkelig frem i forhold til bagenden.

Fugehøvling til slut



Årsag: Et eller begge høvljernes kanter stikker for langt frem i forhold til bagenden.

EN0004-1

Støvpose (tilbehør) (Fig. 12)

For maskiner uden mundstykke

Fjern spåndækslet og monter mundstykket (ekstraudstyr). Monter støvposen på mundstykket. Mundstykket er konisk udformet. Når støvposen sættes fast, skal den skubbes så langt ind på mundstykket som muligt, så den ikke falder af under brug.

For maskiner med mundstykke

Monter støvposen på mundstykket. Mundstykket er konisk udformet. Når støvposen sættes fast, skal den skubbes så langt ind på mundstykket som muligt, så den ikke falder af under brug. (Fig. 13)

Når støvposen er omkring halvt fuld, skal du fjerne posen fra maskinen og trække lukkemekanismen ud. Tøm støvposen, og klap let på den, så partikler, der klæber til indersiden, fjernes, hvilket ellers kan hæmme yderligere opsamling.

BEMÆRK:

- Hvis du slutter en Makita-støvsuger til denne maskine, kan arbejdet udføres mere effektivt og renere.

Tilslutning til støvsuger (Fig. 14)

For maskiner uden mundstykke

Hvis du vil høvle og holde arbejdsområdet rent, kan du tilslutte en Makita-støvsuger til maskinen. Inden du tilslutter støvsugeren skal du afmontere spåndækslet fra maskinen. Slut derefter støvsugerslangen til mundstykket (ekstraudstyr) som vist på figurene.

Sådan indstilles høvljernet korrekt

Den overflade, der skal høvles, vil blive ru og ujævn, hvis ikke høvljernet er indstillet korrekt og sikkert. Høvljernet skal monteres, så skærekanten er helt lige, det vil sige parallel med bagendens overflade.

Se eksempler på korrekt og ukorrekt indstilling nedenfor.

For maskiner med mundstykke

Hvis du vil høvle og holde arbejdsområdet rent, kan du tilslutte en Makita-støvsuger til maskinen. Slut derefter støvsugerslangen til mundstykket som vist på figuren.

Rørbøjning (ekstraudstyr) (Fig. 15)

Brug af rørbøjning gør det muligt at ændre spånudledningens retning, så renere arbejde kan udføres.

For maskiner uden mundstykke

Fjern spåndækslet og monter mundstykket (ekstraudstyr). Monter rørbøjningen (ekstraudstyr) på maskinens mundstykke ved at sætte det på. Træk blot i den for at tage den af.

For maskiner med mundstykke

Monter rørbøjningen (ekstraudstyr) på maskinens mundstykke ved at sætte det på. Træk blot i den for at tage den af.

BETJENING

Hold maskinen fast med den ene hånd på knappen og den anden hånd på kontakthåndtaget, når maskinen anvendes.

Høvling (Fig. 16)

Stil først maskinens forende fladt på arbejdsemnets overflade, uden at høvljernerne får kontakt. Tænd for maskinen, og vent på, at høvljernerne når den maksimale hastighed. Bevæg derefter maskinen langsomt fremad. Tryk forenden ned ved starten af høvlingen og bagenden

ned ved slutningen af høvlingen. Det er nemmere at udføre høvlingen, hvis du skræner arbejdsemnet på en stationær måde, så du kan høvle nedad. Høvlingens hastighed og dybde bestemmer finishen. Elhøvlen høvler ved en hastighed, der ikke vil medføre fasttækning af spåner. Ved mindre nøjagtig skæring kan skæredybden øges, mens du skal reducere skæredybden og føre maskinen frem i et langsommere tempo, hvis du ønsker en pæn finish.

Overfalsningsdybde (falsning) (Fig. 17)

Brug kantafskærmningen (styrepinden), som fås som tilbehør, hvis du vil lave en trindelt indskæring som vist på figuren. (Fig. 18)

Træk en skærelinje på arbejdsemnet. Indsæt kantafskærmningen i hullet foran maskinen. Sæt høvljernets kær på linje med skærelinjen. (Fig. 19) Juster kantafskærmningen indtil den kommer i kontakt med siden af arbejdsemnet, og fastgør den derefter ved at spænde skruen. (Fig. 20)

Når der høvles, skal maskinen bevæges således, at kantafskærmningen flugter med siden på arbejdsemnet. Ellers kan høvlingen blive ujævn.

Maksimal overfalsningsdybde (falsning) er 9 mm. (Fig. 21)

Du kan gøre afskærmningen længere ved at fastgøre et ekstra stykke træ. Der er placeret praktiske huller i afskærmningen til dette formål, også til fastgørelse af en forlængelsesskinne (ekstraudstyr).

Skråskæring (Fig. 22 og 23)

Hvis du vil lave en skråskæring som vist på figuren, skal du justere "V"-rillen foran med kanten af arbejdsemnet og udjævne den.

VEDLIGEHODELSE

⚠ FORSIGTIG:

- Sørg altid for, at maskinen er slukket, og at batteripakken er taget ud, før du forsøger at udføre inspektion eller vedligeholdelse.
- Brug aldrig benzin, benzen, fortynder, alkohol eller lignende. Det kan muligvis medføre misfarvning, deformation eller revner.

Slibning af høvljernerne

Kun for almindelige høvljern (Fig. 24)

Hold altid høvljernet skarpt for at opnå optimal ydelse. Brug slibningsholderen (ekstraudstyr) for at undgå hak og for at få en fin kant. (Fig. 25)

Start med at løse de to vingemøtrikker på holderen og indsæt høvljernerne (A) og (B), så de er i kontakt med siderne (C) og (D). Stram herefter vingemøtrikkerne. (Fig. 26)

Læg slibestenen i vand i 2 til 3 minutter før slibning. Hold holderen så begge høvljern er i kontakt med slibestenen for samtidig slibning i den samme vinkel.

Udskiftning af kulbørsterne (Fig. 27)

Tag regelmæssigt kulbørsterne af, og efterse dem. Udskift dem, når de er nedslidt til slidgrænsen. Hold kulbørsterne rene og frie til at glide i holderne. Begge kulbørster skal

udskiftes samtidig. Brug altid identiske kulbørster. (Fig. 28 og 29)

Brug en skruetrækker til at fjerne spåndækslet eller mundstykket. (Fig. 30)

Brug en skruetrækker til at fjerne kulholderdækslerne.

Tag de udslidte kulbørster ud, monter de nye, og fastgør kulholderdækslerne.

For at holde produktet SIKKERT og PÅLIDELIGT skal reparationer samt al anden vedligeholdelse eller justering udføres af autoriserede Makita-servicecentre, og der skal altid benyttes Makita-reservedele.

EKSTRAUDSTYR

⚠ FORSIGTIG:

- Dette tilbehør eller ekstraudstyr anbefales til brug med det Makita-værktøj, som er beskrevet i denne brugsanvisning. Brug af andet tilbehør eller ekstraudstyr kan forårsage personskade. Brug kun tilbehør eller ekstraudstyr til det formål, det er beregnet til.

Henvend dig til dit lokale Makita-servicecenter, hvis du har brug for hjælp eller yderligere oplysninger vedrørende tilbehøret.

- Højhastigheds-stålhøvljern
- Wolfgramkarbidhøvljern (for længere levetid på klingens)
- Minihøvljern
- Slibningsholdersæt
- Klingemåler
- Fastgøringspladesæt
- Kantafskærmning (styrepind)
- Forlængelsesskinnesæt
- Slibesten
- Mundstykke
- Støbposesæt
- Rørbøjning
- Topnøgle
- Plastikbæretaske
- Forskellige typer af originale batterier og opladere fra Makita

BEMÆRK:

- Visse dele på listen er muligvis indeholdt maskinindpakningen som standardtilbehør. De kan variere fra land til land.

Støv

Det typiske A-vægtede støjniveau bestemt i overensstemmelse med EN60745:

Model DKP140

Lydtryksniveau (L_{pA}): 80 dB (A)

Usikkerhed (K): 3 dB (A)

Støjniveauet under arbejdet kan overstige 80 dB (A).

Model DKP180

Lydtryksniveau (L_{pA}): 84 dB (A)

Lydeffektniveau (L_{WA}): 95 dB (A)

Usikkerhed (K): 3 dB (A)

Bær høreværn.

ENG905-1

Vibration

ENG900-1

Den samlede vibrationsværdi (treaksiel vektorsum) bestemt i overensstemmelse med EN60745:

Model DKP140

Arbejdstilstand: høvling i blødt træ
Vibrationsemission (a_h): 3,5 m/s²
Usikkerhed (K): 1,5 m/s²

Model DKP180

Arbejdstilstand: høvling i blødt træ
Vibrationsemission (a_h): 4,5 m/s²
Usikkerhed (K): 1,5 m/s²

ENG901-1

- Den opgivne vibrationsemissionsværdi er målt i overensstemmelse med standardtestmetoden og kan bruges til at sammenligne et værktøj med et andet.
- Den opgivne vibrationsemissionsværdi kan muligvis også bruges til en indledende eksponeringsvurdering.

ADVARSEL:

- Vibrationsemissionen under den faktiske brug af maskinen kan afvige fra den opgivne emissionsværdi afhængigt af den måde, maskinen anvendes på.
- Sørg for at bestemme sikkerhedsforanstaltninger for beskyttelse af operatøren, som er baseret på en eksponeringsvurdering for brug under faktiske forhold (hvor alle anvendelsescyklussens dele inddrages, som f.eks. antal gange maskinen slukkes, og når den kører i tomgang ud over triggertiden).

Kun for europæiske lande

ENH101-16

EF-overensstemmelseserklæring

Vi, **Makita Corporation**, erklærer som ansvarlig producent at følgende **Makita-maskine(r)**:

Maskinens betegnelse:

Batteridrevet høvl

Modelnummer/type: DKP140, DKP180

er en produktionsserie og

Overholder følgende europæiske direktiver:

2006/42/EF

Og er produceret i overensstemmelse med følgende standarder eller standardiserede dokumenter:

EN60745

Den tekniske dokumentation findes hos:

Makita International Europe Ltd.

Technical Department,

Michigan Drive, Tongwell,

Milton Keynes, Bucks MK15 8JD, England

06. 06. 2013



Tomoyasu Kato
Direktør

Makita Corporation
3-11-8, Sumiyoshi-cho,
Anjo, Aichi, 446-8502, JAPAN

ΕΛΛΗΝΙΚΑ (Πρωτογενείς οδηγίες)

Γενική περιγραφή

1. Κουμπί	21. Άκρο μαχαίριου	39. Γωνία
2. Κόκκινος δείκτης	22. Βίδες	40. Αρχή
3. Κασέτα μπαταρίας	23. Φτέρνα	41. Τέλος
4. Ένδειξη άστρου	24. Πίσω πλευρά της βάσης μετρητή	42. Γραμμή κοπής
5. Δείκτης	25. Πλάκα μετρητή	43. Βίδα
6. Κουμπί	26. Βάση μετρητή	44. Οδηγός άκρου (προαιρετικό αξεσουάρ)
7. Μοχλός κλειδώματος	27. Βίδα κοίλης κεφαλής	45. Υποδοχή ακονίσματος
8. Σκανδάλη διακόπτης	28. Γλωπίδες εντοπισμού μαχαιριού πλάνης	46. Παξιμάδι πεταλούδα
9. Μαχαίρι πλάνης	29. Φτέρνα ρυθμιζόμενης πλάκας	47. Μαχαίρι (Α)
10. Πίσω βάση	30. Πλάκα συγκράτησης	48. Μαχαίρι (Β)
11. Πόδι	31. Εσωτερική πλευρά της πλάκας μετρητή	49. Πλευρά (D)
12. Σωληνωτό κλειδί	32. Πίσω πλευρά της βάσης μετρητή	50. Πλευρά (C)
13. Μπουλόνι	33. Μικρό μαχαίρι πλάνης	51. Ένδειξη ορίου
14. Ξεσφίξτε	34. Εγκοπή	52. Κάλυμμα θραυσμάτων
15. Σφίξτε	35. Μπουλόνια εξάγ. κεφαλής με φλάντζα	53. Κατσαβίδι
16. Μπουλόνια	36. Ακροφύσιο	54. Καπάκι θήκης ψήκτρας
17. Τύμπανο	37. Σάκος σκόνης	
18. Κάλυμμα τυμπάνου	38. Συνδετήρας	
19. Πλάκα ρύθμισης		
20. Εσωτερικό άκρο της πλάκας μετρητή		

ΠΡΟΔΙΑΓΡΑΦΕΣ

Μοντέλο	DKP140	DKP180
Πλάτος πλανίσματος	82 mm	
Βάθος πλανίσματος	1,6 mm	2 mm
Βάθος αυλακιών	9 mm	
Ταχύτητα χωρίς φορτίο (min ⁻¹)	15.000	
Ολικό μήκος	329 mm	333 mm
Καθαρό βάρος	3,3 kg	3,4 kg
Ονομαστική τιμή τάσης	D.C. 14,4 V	D.C. 18 V

- Λόγω του συνεχόμενου προγράμματος που εφαρμόζουμε για έρευνα και ανάπτυξη, τα τεχνικά χαρακτηριστικά στο παρόν έντυπο υπόκεινται σε αλλαγή χωρίς προειδοποίηση.
- Τα τεχνικά χαρακτηριστικά και η μπαταρία ενδέχεται να διαφέρουν από χώρα σε χώρα.
- Βάρος μαζί με την μπαταρία σύμφωνα με τη διαδικασία της ΕΡΤΑ 01/2003

Προοριζόμενη χρήση

Το εργαλείο προορίζεται για πλάνισμα ξύλου.

ENE001-1

Γενικές Προειδοποιήσεις Ασφαλείας Του Ηλεκτρικού Εργαλείου

GEA010-1

⚠ ΠΡΟΕΙΔΟΠΟΙΗΣΗ Διαβάστε όλες τις προειδοποιήσεις ασφαλείας και όλες τις οδηγίες. Αν δεν ακολουθήσετε όλες τις προειδοποιήσεις και τις οδηγίες, υπάρχει κίνδυνος ηλεκτροπληξίας, πυρκαγιάς ή/και σοβαρού τραυματισμού.

Φυλάξτε όλες τις προειδοποιήσεις και τις οδηγίες για μελλοντική αναφορά.

ΠΡΟΕΙΔΟΠΟΙΗΣΕΙΣ ΑΣΦΑΛΕΙΑΣ ΤΗΣ ΠΛΑΝΗΣ ΜΠΑΤΑΡΙΑΣ

GEB064-2

1. **Περιμένετε να σταματήσει ο κόφτης πριν αφήσετε κάτω το εργαλείο.** Ένας εκτεθειμένος κόφτης μπορεί να εμπλακεί στην επιφάνεια οδηγώντας σε πιθανή απώλεια του ελέγχου και σοβαρό τραυματισμό.
2. **Να χρησιμοποιείτε σφιγκτήρες ή κάποιο άλλο πρακτικό μέσο για να ασφαλίσετε και να στηρίξετε το τεμάχιο εργασίας σε μια σταθερή πλατφόρμα.** Αν κρατάτε το τεμάχιο εργασίας με το χέρι σας ή επάνω στο σώμα σας, θα είναι ασταθές και μπορεί να χάσετε τον έλεγχο.
3. **Δεν πρέπει να αφήνετε ποτέ κουρέλια, πανιά, νήματα, σκοινιά και παρόμοια αντικείμενα στην περιοχή εργασίας.**
4. **Να αποφεύγετε την κοπή καρφιών.** Πριν από τη λειτουργία, να ελέγχετε αν υπάρχουν καρφιά στο τεμάχιο εργασίας και να τα αφαιρείτε όλα αν υπάρχουν.

5. Να χρησιμοποιείτε μόνο αιχμηρά μαχαίρια. Να χειρίζεστε τα μαχαίρια πολύ προσεκτικά.
6. Βεβαιωθείτε ότι τα μπουλόνια τοποθέτησης μαχαίριών είναι καλά σφιγμένα πριν από τη λειτουργία.
7. Να κρατάτε το εργαλείο γερά και με τα δύο χέρια.
8. Μην πλησιάζετε τα χέρια σας σε περιστρεφόμενα μέρη.
9. Πριν χρησιμοποιήσετε το εργαλείο σε ένα πραγματικό τεμάχιο εργασίας, να το αφήνετε να λειτουργεί για λίγη ώρα. Προσέχετε τις δονήσεις ή τις κινήσεις που θα μπορούσαν να υποδειξουν κακή τοποθέτηση ή κακή ισορροπία μαχαριού.
10. Βεβαιωθείτε ότι το μαχαίρι δεν ακουμπά στο τεμάχιο εργασίας πριν ενεργοποιήσετε το διακόπτη λειτουργίας.
11. Περιμένετε έως ότου το μαχαίρι φτάσει στην πλήρη ταχύτητά του πριν κόψετε.
12. Πριν από οποιαδήποτε ρύθμιση, πάντοτε να σβήνετε το εργαλείο και να περιμένετε να σταματήσουν να κινούνται εντελώς τα μαχαίρια.
13. Μη βάζετε ποτέ το δάκτυλό σας στον αγωγό για τα θραύσματα. Ο αγωγός μπορεί να φράξει όταν κόβετε νωπό ξύλο. Καθαρίστε τα θραύσματα με μια ξύλινη ράβδο.
14. Μην αφήνετε το εργαλείο σε λειτουργία. Το εργαλείο πρέπει να βρίσκεται σε λειτουργία μόνο όταν το κρατάτε.
15. Να αλλάζετε πάντα και τα δύο μαχαίρια ή καλύμματα στο τύμπανο, διαφορετικά η προκύπτουσα αστάθεια θα προκαλέσει δόνηση και συντόμευση της ζωής του εργαλείου.
16. Να χρησιμοποιείτε μόνο μαχαίρια της Makita που καθορίζονται στο εγχειρίδιο αυτό.
17. Να χρησιμοποιείτε πάντοτε προσωπίδα κατά της σκόνης/αναπνευστήρα που είναι κατάλληλα για το υλικό και την εφαρμογή σας.

ΦΥΛΑΞΤΕ ΑΥΤΕΣ ΤΙΣ ΟΔΗΓΙΕΣ.

⚠ ΠΡΟΕΙΔΟΠΟΙΗΣΗ:

ΜΗΝ επιτρέψετε στη βολικότητα ή στην εξοικειωσή σας με το προϊόν (που αποκτήθηκε από επανειλημμένη χρήση) να αντικαταστήσει την αυστηρή προσήλωση στους κανόνες ασφάλειας του εν λόγω προϊόντος.
Η ΛΑΝΘΑΣΜΕΝΗ ΧΡΗΣΗ ή η μη τήρηση των κανόνων ασφαλείας που διατυπώνονται στο παρόν εγχειρίδιο οδηγίων μπορεί να προκαλέσει σοβαρό τραυματισμό.

ΣΗΜΑΝΤΙΚΕΣ ΟΔΗΓΙΕΣ ΑΣΦΑΛΕΙΑΣ

ENC007-8

ΓΙΑ ΤΗΝ ΜΠΑΤΑΡΙΑ

1. Πριν χρησιμοποιήσετε την μπαταρία, διαβάστε όλες τις οδηγίες και τις ενδείξεις προφύλαξης στο (1) φορτιστή μπαταρίας, (2) την μπαταρία και (3) το προϊόν στο οποίο χρησιμοποιείται η μπαταρία.
2. Μην αποσυαρμολογείτε την μπαταρία.
3. Αν ο χρόνος λειτουργίας της μπαταρίας είναι υπερβολικά σύντομος, διακόψτε αμέσως τη λειτουργία. Αν συνεχίσετε, μπορεί να έχει ως

- αποτέλεσμα τον κίνδυνο υπερθέρμανσης, πιθανών εγκαυμάτων και ακόμη έκρηξης.
4. Αν μπει στα μάτια σας ηλεκτρολύτης, ξεπλύνετε με καθαρό νερό και αναζητήστε αμέσως ιατρική βοήθεια. Μπορεί να χάσετε την όρασή σας. Μη βραχυκυκλώνετε την μπαταρία:
 - (1) Μην αγγίζετε τους ακροδέκτες με αγώγιμο υλικό.
 - (2) Μην αποθηκεύετε την μπαταρία σε δοχείο με άλλα μεταλλικά αντικείμενα, όπως καρφιά, νομίσματα, κτλ.
 - (3) Μην εκθέτετε την μπαταρία σε νερό ή βροχή.
 5. Αν βραχυκυκλωθεί η μπαταρία, μπορεί να προκληθεί μεγάλη ροή ηλεκτρικού ρεύματος, υπερθέρμανση, πιθανά εγκαύματα και ακόμη και καταστροφή της μπαταρίας.
 6. Μην αποθηκεύετε το εργαλείο και την μπαταρία σε μέρη όπου η θερμοκρασία μπορεί να φτάσει ή να ξεπεράσει τους 50°C (122°F).
 7. Μην αποθερώνετε την μπαταρία ακόμη κι αν παρουσιάζει σοβαρή ζημιά ή είναι εντελώς φθαρμένη. Η μπαταρία μπορεί να εκραγεί σε φθαρτά.
 8. Να προσέχετε να μη σας πέσει η μπαταρία και να μη συγκρουστεί με κάποιο αντικείμενο.
 9. Μη χρησιμοποιείτε μια μπαταρία που έχει υποστεί βλάβη.
 10. Ακολουθήστε τους τοπικούς κανονισμούς σχετικά με την απόρριψη της μπαταρίας.

ΦΥΛΑΞΤΕ ΑΥΤΕΣ ΤΙΣ ΟΔΗΓΙΕΣ.

Συμβουλές για τη διατήρηση της μέγιστης ζωής της μπαταρίας

1. Να φορτίζετε την μπαταρία πριν αποφορτιστεί εντελώς. Πάντοτε να διακόπτετε τη λειτουργία του εργαλείου και να φορτίζετε την μπαταρία όταν παρατηρείται μειωμένη ισχύ του εργαλείου.
2. Ποτέ μην επαναφορτίζετε μια πλήρως φορτισμένη μπαταρία. Αν υπερφορτίσετε την μπαταρία, μειώνεται η ωφέλιμη διάρκεια ζωής της.
3. Να φορτίζετε την μπαταρία σε θερμοκρασία δωματίου, δηλαδή στους 10°C έως 40°C (50°F έως 104°F). Αν η μπαταρία είναι θερμή, αφήστε την να ψυχθεί πριν τη φορτίσετε.
4. Να φορτίζετε την κασέτα μπαταρία μια φορά κάθε έξι μήνες όταν δεν τη χρησιμοποιείτε για μεγάλο χρονικό διάστημα.

ΠΕΡΙΓΡΑΦΗ ΛΕΙΤΟΥΡΓΙΑΣ

⚠ ΠΡΟΣΟΧΗ:

- Να βεβαιώσετε πάντοτε ότι έχετε σβήσει το εργαλείο και έχετε βγάλει την μπαταρία πριν ρυθμίσετε ή ελέγξετε κάποια λειτουργία του εργαλείου.

Τοποθέτηση ή αφαίρεση της κασέτας μπαταρίας (Εικ. 1)

- Πάντοτε να απενεργοποιείτε το εργαλείο πριν από την τοποθέτηση ή την αφαίρεση της κασέτας μπαταρίας.

- Για να βγάλετε την κασέτα μπαταρίας, σύρετε την από το εργαλείο ολισθαίνοντας το κουμπί στο μπροστινό μέρος της κασέτας.
- Για να τοποθετήσετε την κασέτα μπαταρίας, ευθυγραμμίστε τη γλωττίδα της κασέτας μπαταρίας με την εγκοπή στο περίβλημα και ολισθήστε τη στη θέση της. Πάντοτε να την τοποθετείτε έως το τέρμα, δηλαδή έως ότου ασφαλίσει στη θέση και ακουστεί ένας χαρακτηριστικός ήχος “κλικ”. Αν μπορείτε να δείτε την κόκκινη ένδειξη στην πάνω πλευρά του κουμπιού, η μπαταρία δεν είναι πλήρως ασφαλισμένη. Τοποθετήστε την πλήρως για να μη φαίνεται η κόκκινη ένδειξη. Σε αντίθετη περίπτωση, μπορεί να πέσει κατά λάθος από το εργαλείο και να τραυματίσει εσάς ή κάποιον παρευρισκόμενο.
- Να μη χρησιμοποιείτε δύναμη όταν τοποθετείτε την κασέτα μπαταρίας. Αν η κασέτα δεν ολισθαίνει με ευκολία, δεν την εισήγατε σωστά.

Σύστημα προστασίας μπαταρίας (Κασέτα μπαταρία με την ένδειξη άστρου) (Εικ. 2)

Η μπαταρία με την ένδειξη αστεριού διαθέτει ένα σύστημα προστασίας, το οποίο διακόπτει αυτόματα την παροχή ρεύματος για τη διατήρηση της μακράς διάρκειας ζωής της.

Το εργαλείο σταματά κατά τη λειτουργία όταν το εργαλείο και/ή μπαταρία υποστούν την παρακάτω συνθήκη. Αυτό προκαλείται από την ενεργοποίηση του συστήματος προστασίας και δεν δείχνει ότι το εργαλείο έχει κάποιο πρόβλημα.

- Όταν το εργαλείο είναι υπερφορτωμένο: Την στιγμή αυτή, ελευθερώστε τη σκανδάλη-διακόπτη, αφαιρέστε την κασέτα μπαταρίας και απομακρύνεται τις αιτίες της υπερφόρτωσης και στη συνέχεια τραβήξτε την σκανδάλη-διακόπτη ξανά για την επανεκκίνηση.
- Όταν ζεσταθούν τα στοιχεία της μπαταρίας: Εάν γίνει η οποιαδήποτε ενέργεια πάνω στην σκανδάλη-διακόπτη, το μοτέρ θα παραμείνει σταματημένο. Την στιγμή αυτή, σταματήστε τη χρήση του εργαλείου και αφήστε να κρυώσει η μπαταρία ή αντικαταστήστε την μετά την αφαίρεσή της από το εργαλείο.
- Όταν η εναπομένουσα χωρητικότητα της μπαταρίας είναι χαμηλή: Εάν γίνει η οποιαδήποτε ενέργεια πάνω στην σκανδάλη-διακόπτη, το μοτέρ θα παραμείνει σταματημένο. Τη στιγμή αυτή, αφαιρέστε την κασέτα μπαταρίας από το εργαλείο και φορτίστε τη.

Ρύθμιση του βάθους κοπής (Εικ. 3)

Το βάθος κοπής μπορεί να ρυθμιστεί αν περιστρέψετε απλά τη λαβή που βρίσκεται στο μπροστινό μέρος του εργαλείου ώστε ο δείκτης να είναι στραμμένος στο επιθυμητό βάθος κοπής.

Δράση διακόπτη (Εικ. 4)

⚠️ ΠΡΟΣΟΧΗ:

- Πριν την τοποθέτηση της μπαταρίας στο εργαλείο, πάντοτε να ελέγχετε ότι η σκανδάλη-διακόπτης ενεργοποιείται κανονικά και επιστρέφει στη θέση “OFF” όταν την αφήνετε.

- Μην τραβήτε το διακόπτη με βία χωρίς να πιέζετε το μοχλό ασφάλισης. Αυτό μπορεί να προκαλέσει το σπάσιμο του διακόπτη.

Για να μην τραβήχτει ο διακόπτης κατά λάθος, υπάρχει ένας μοχλός ασφάλισης. Για να ξεκινήσετε τη λειτουργία του εργαλείου, ολισθήστε το μοχλό ασφάλισης και τραβήξτε το διακόπτη ταυτόχρονα. Για να σταματήσετε τη συσκευή, αφήστε τη σκανδάλη-διακόπτη.

⚠️ ΠΡΟΕΙΔΟΠΟΙΗΣΗ:

- Για την ασφάλεια σας, το εργαλείο αυτό παρέχεται με μοχλό ασφάλισης ο οποίος αποτρέπει την ενεργοποίηση του εργαλείου κατά λάθος. Μη χρησιμοποιείτε ΠΟΤΕ το εργαλείο αν μπορείτε να το θέσετε σε λειτουργία πιέζοντας απλά το διακόπτη, χωρίς να πιέζετε και το μοχλό ασφάλισης. Στείλτε το εργαλείο σε κέντρο εξυπηρέτησης της MAKITA για να το επισκευάσουν σωστά ΠΙΠΙΝ το χρησιμοποιήσετε ξανά.
- ΠΟΤΕ μην κολλάτε με ταινία στο μοχλό ασφάλισης και μην ακυρώσετε το λόγο ύπαρξης και τη λειτουργία του. Για να μην πιέζεται η σκανδάλη-διακόπτης κατά λάθος, παρέχεται ένα κουμπί κλειδώματος. Για να ξεκινήσετε τη λειτουργία του εργαλείου, πιέστε το κουμπί ασφάλισης και πατήστε τη σκανδάλη-διακόπτη. Για να σταματήσετε τη συσκευή, αφήστε τη σκανδάλη-διακόπτη.

Πόδι (Εικ. 5)

Μετά από μια λειτουργία κοπής, ανυψώστε την πίσω πλευρά του εργαλείου για να εμφανιστεί ένα πόδι κάτω από το επίπεδο της πίσω βάσης. Αυτό εμποδίζει την καταστροφή των μαχαιριών του εργαλείου.

ΣΥΝΑΡΜΟΛΟΓΗΣΗ

⚠️ ΠΡΟΣΟΧΗ:

- Να βεβαιώνετε πάντοτε ότι έχετε σβήσει το εργαλείο και έχετε βγάλει την μπαταρία πριν εκτελέσετε οποιαδήποτε εργασία σε αυτό.

Αφαίρεση ή τοποθέτηση των μαχαιριών της πλάνης

⚠️ ΠΡΟΣΟΧΗ:

- Σφίξτε προσεκτικά τα μπουλόνια τοποθέτησης μαχαιριών όταν συνδέετε τα μαχαίρια στο εργαλείο. Ένα χαλαρά τοποθετημένο μπουλόνι μπορεί να είναι επικίνδυνο. Να ελέγχετε πάντα αν αυτά είναι σφιγμένα με ασφάλεια.
- Να χειρίζεστε τα μαχαίρια πολύ προσεκτικά. Χρησιμοποιήστε γάντια ή κουρέλια για να προστατεύσετε τα δάχτυλα ή τα χέρια σας όταν αφαιρείτε ή τοποθετείτε τα μαχαίρια.
- Να χρησιμοποιείτε μόνο το παρεχόμενο κλειδί της Makita για να αφαιρείτε ή να τοποθετείτε τα μαχαίρια. Αν δεν το κάνετε αυτό, μπορεί να έλθει ως αποτέλεσμα το υπερβολικό ή ανεπαρκές σφίξιμο των μπουλονιών τοποθέτησης. Αυτό μπορεί να προκαλέσει τραυματισμό.

Για εργαλείο με συμβατικά μαχαίρια πλάνης (Εικ. 6 - 8)

Για να αφαιρέσετε τα μαχαίρια από το τύμπανο, ξεβιδώστε τα μπουλόνια τοποθέτησης με το κλειδί. Το κάλυμμα του τυμπάνου βγαίνει μαζί με τα μαχαίρια. Για να τοποθετήσετε τα μαχαίρια, καθαρίστε πρώτα όλα τα θραύσματα ή τα ξένα υλικά που υπάρχουν προσκολλημένα στο τύμπανο ή στα μαχαίρια. Χρησιμοποιήστε μαχαίρια των ίδιων διαστάσεων και του ίδιου βάρους, ειδάλλως θα προκληθούν κραδασμοί/ δονήσεις στο τύμπανο, που θα έχουν ως αποτέλεσμα την κακή δράση της πλάνης και τελικά την καταστροφή του εργαλείου.

Τοποθετήστε το μαχαίρι στη βάση μετρητή ώστε το άκρο του μαχαίριου να είναι τέλεια ευθυγραμμισμένο με το εσωτερικό άκρο της πλάκας μετρητή. Τοποθετήστε τη ρυθμιζόμενη πλάκα στο μαχαίρι και κατόπιν πιέστε απλά τη φτέρνα της ρυθμιζόμενης πλάκας ώστε να είναι ευθυγραμμισμένη με την πίσω πλευρά της βάσης μετρητή και σφίξτε τις δύο βίδες στη ρυθμιζόμενη πλάκα. Τώρα ολισθήστε τη φτέρνα της ρυθμιζόμενης πλάκας στην εγκοπή τυμπάνου και κατόπιν τοποθετήστε το κάλυμμα τυμπάνου επάνω της. Σφίξτε όλα τα μπουλόνια τοποθέτησης ομοιόμορφα και εναλλάξ με το κλειδί. Επαναλάβετε τις παραπάνω διαδικασίες για το άλλο μαχαίρι.

Για εργαλείο με μικρά μαχαίρια πλάνης (Εικ. 9)

1. Αφαιρέστε το υπάρχον μαχαίρι, αν το εργαλείο βρισκόταν σε χρήση, και καθαρίστε προσεκτικά τις επιφάνειες του τυμπάνου και το κάλυμμα τυμπάνου.

Για να αφαιρέσετε τα μαχαίρια από το τύμπανο, ξεβιδώστε τα τρία μπουλόνια τοποθέτησης με το κλειδί. Το κάλυμμα του τυμπάνου βγαίνει μαζί με τα μαχαίρια. (Εικ. 10)

2. Για να τοποθετήσετε τα μαχαίρια, προσαρμόστε χαλαρά τη ρυθμιζόμενη πλάκα στην πλάκα συγκράτησης με τις βίδες κοίλης κεφαλής και τοποθετήστε το μικρό μαχαίρι πλάνης στη βάση μετρητή ώστε το άκρο κοπής του μαχαίριου να είναι τέλεια ευθυγραμμισμένο με την εσωτερική πλευρά της πλάκας μετρητή.

3. Ρυθμίστε τη ρυθμιζόμενη πλάκα/πλάκα συγκράτησης στη βάση μετρητή ώστε οι γλωττίδες εντοπισμού του μαχαίριου της πλάνης στην πλάκα συγκράτησης να ακουμπούν στην εγκοπή του μικρού μαχαίριου της πλάνης και κατόπιν πιέστε προς τα μέσα τη φτέρνα της ρυθμιζόμενης πλάκας ώστε να ευθυγραμμιστεί με την πίσω πλευρά της βάσης μετρητή και σφίξτε τις βίδες κοίλης κεφαλής.

4. Είναι σημαντικό το μαχαίρι να εδράζει ευθυγραμμισμένο με την εσωτερική πλευρά της πλάκας μετρητή, οι γλωττίδες εντοπισμού του μαχαίριου πλάνης να εδράζουν στην εγκοπή μαχαίριου και η φτέρνα της ρυθμιζόμενης πλάκας να είναι ευθυγραμμισμένη με την πίσω πλευρά της βάσης μετρητή. Ελέγξτε αυτήν την ευθυγράμμιση προσεκτικά για να εξασφαλίσετε ομοιόμορφη κοπή.

5. Ολισθήστε τη φτέρνα της ρυθμιζόμενης πλάκας στην εγκοπή του τυμπάνου. (Εικ. 11)

6. Ρυθμίστε το κάλυμμα τυμπάνου πάνω από τη ρυθμιζόμενη πλάκα/πλάκα συγκράτησης και βιδώστε τα τρία εξαγωνικά μπουλόνια με κεφαλή φλάντζας ώστε να υπάρχει ένα διάκενο μεταξύ του τυμπάνου και της πλάκας συγκράτησης για να ολισθαίνει το

μικρό μαχαίρι πλάνης στη θέση του. Το μαχαίρι θα τοποθετείται από τις γλωττίδες εντοπισμού του μαχαίριου πλάνης στην πλάκα συγκράτησης.

7. Η κατά μήκος ρύθμιση του μαχαίριου θα χρειαστεί να πραγματοποιηθεί χειροκίνητα ώστε τα άκρα του μαχαίριου να είναι ελεύθερα και ισαπέχοντα από το περίβλημα στη μία πλευρά και από το μεταλλικό βραχίονα στην άλλη πλευρά.
8. Σφίξτε τα τρία εξαγωνικά μπουλόνια με κεφαλή φλάντζας (με το παρεχόμενο κλειδί) και περιστρέψτε το τύμπανο για να ελέγξετε τις αποστάσεις μεταξύ των άκρων του μαχαίριου και του κυρίου σώματος του εργαλείου.
9. Ελέγξτε πόσο σφιγμένα είναι τελικά τα τρία μπουλόνια εξάγωνης με κεφαλή φλάντζας.
10. Επαναλάβετε τις διαδικασίες 1 - 9 για το άλλο μαχαίρι.

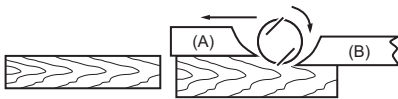
Για τη σωστή ρύθμιση του μαχαίριου πλάνης

Η επιφάνεια πλανίσματός σας θα είναι σκληρή και ανομοιόμορφη, εκτός αν το μαχαίρι είναι ρυθμισμένο σωστά και με ασφάλεια. Το μαχαίρι πρέπει να τοποθετηθεί ώστε το άκρο κοπής να είναι απόλυτα επίπεδο, δηλαδή παράλληλο στην επιφάνεια της πίσω βάσης.

Ανατρέξτε σε μερικά παραδείγματα παρακάτω για τις σωστές και λανθασμένες ρυθμίσεις.

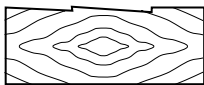
- (Α) Μπροστινή βάση (Κινητό πέλμα)
- (Β) Πίσω βάση (Ακίνητο πέλμα)

Σωστή ρύθμιση



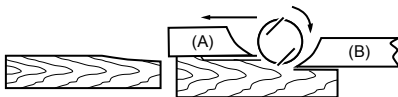
Παρότι δεν απεικονίζονται σε αυτήν την πλάγια όψη, τα άκρα των μαχαiriών κινούνται τελείως παράλληλα στην επιφάνεια της πίσω βάσης.

Χαραγές στην επιφάνεια



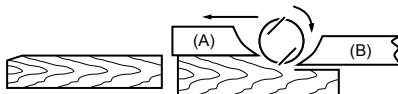
Αιτία: Ένα ή και δύο μαχαiriά δεν έχουν το άκρο τους παράλληλο στη γραμμή της πίσω βάσης.

Εντομή στην αρχή



Αιτία: Ένα ή και τα δύο άκρα των μαχαiriών δεν προεξέχουν αρκετά σε σχέση με τη γραμμή της πίσω βάσης.

Εντομή στο τέλος



Αιτία: Ένα ή και τα δύο άκρα των μαχαiriών προεξέχουν πολύ σε σχέση με τη γραμμή της πίσω βάσης.

EN0004-1

Σάκος σκόνης (αξεσουάρ) (Εικ. 12)

Για εργαλείο χωρίς ακροφύσιο

Αφαιρέστε το κάλυμμα θραυσμάτων και τοποθετήστε το ακροφύσιο (προαιρετικό αξεσουάρ). Προσαρτήστε τον σάκο σκόνης στο ακροφύσιο. Το ακροφύσιο είναι κωνικό. Όταν προσαρτάτε το σάκο σκόνης, ωθήστε το καλά μέσα στο ακροφύσιο έως το τέρμα για να μην αποκολληθεί κατά τη λειτουργία.

Για εργαλείο με ακροφύσιο

Προσαρτήστε τον σάκο σκόνης στο ακροφύσιο. Το ακροφύσιο είναι κωνικό. Όταν προσαρτάτε το σάκο σκόνης, ωθήστε το καλά μέσα στο ακροφύσιο έως το τέρμα για να μην αποκολληθεί κατά τη λειτουργία.

(Εικ. 13)

Όταν ο σάκος σκόνης είναι μισογεμάτος, βγάλτε το σάκο σκόνης από το εργαλείο και τραβήξτε τον συνδετήρα προς τα έξω. Αδειάστε τα περιεχόμενα του σάκου σκόνης, χτυπώντας τον ελαφριά για να αφαιρέσετε τα σωματίδια που υπάρχουν προσκολλημένα στο εσωτερικό, που ενδεχομένως να εμποδίζουν την περαιτέρω συλλογή.

ΣΗΜΕΙΩΣΗ:

- Αν συνδέσετε μια ηλεκτρική σκούπα της Makita σε αυτό το εργαλείο, μπορείτε να διεξάγετε τις εργασίες πιο αποδοτικά και πιο καθαρά.

Σύνδεση ηλεκτρικής σκούπας (Εικ. 14)

Για εργαλείο χωρίς ακροφύσιο

Όταν θέλετε να εκτελέσετε καθαρά τις εργασίες πλανίσματος, συνδέστε την ηλεκτρική σκούπα της Makita στο εργαλείο που διαθέτετε. Πριν από τη σύνδεση της ηλεκτρικής σκούπας, αφαιρέστε το κάλυμμα θραυσμάτων από το εργαλείο. Κατόπιν συνδέστε τον εύκαμπτο σωλήνα της ηλεκτρικής σκούπας στο ακροφύσιο (προαιρετικό αξεσουάρ) όπως απεικονίζεται στις εικόνες.

Για εργαλείο με ακροφύσιο

Όταν θέλετε να εκτελέσετε εργασίες πλανίσματος καθαρά, συνδέστε την ηλεκτρική σκούπα της Makita στο εργαλείο που διαθέτετε. Κατόπιν συνδέστε τον εύκαμπτο σωλήνα της ηλεκτρικής σκούπας στο ακροφύσιο, όπως απεικονίζεται στις εικόνες.

Γωνία (προαιρετικό αξεσουάρ) (Εικ. 15)

Η χρήση γωνιών επιτρέπει την αλλαγή της κατεύθυνσης αποβολής θραυσμάτων για την εκτέλεση των εργασιών με πιο καθαρό τρόπο.

Για εργαλείο χωρίς ακροφύσιο

Αφαιρέστε το κάλυμμα θραυσμάτων και τοποθετήστε το ακροφύσιο (προαιρετικό αξεσουάρ). Τοποθετήστε τη γωνία (προαιρετικό αξεσουάρ) στο ακροφύσιο του εργαλείου ολισθαίνοντάς την στο εργαλείο. Για να την βγάλετε, απλά τραβήξτε την.

Για εργαλείο με ακροφύσιο

Τοποθετήστε τη γωνία (προαιρετικό αξεσουάρ) στο ακροφύσιο του εργαλείου ολισθαίνοντάς την στο εργαλείο. Για να την βγάλετε, απλά τραβήξτε την.

ΛΕΙΤΟΥΡΓΙΑ

Κατά την χρήση του εργαλείου κρατήστε το εργαλείο γερά με το ένα χέρι στο κομβίο και το άλλο χέρι στη λαβή-διακόπτη.

Λειτουργία πλανίσματος (Εικ. 16)

Πρώτα, ακουμπήστε την μπροστινή βάση του εργαλείου επάνω στην επιφάνεια του τεμαχίου εργασίας χωρίς να έρχονται τα μαχαiriά σε επαφή. Ενεργοποιήστε το εργαλείο και περιμένετε έως ότου τα μαχαiriά να αποκτήσουν την πλήρη ταχύτητά τους. Κατόπιν, κινήστε το εργαλείο σιγά-σιγά μπρος τα μπροστά. Ασκήστε επιση στο μπροστινό τμήμα του εργαλείου στην αρχή του πλανίσματος και στο πίσω μέρος στο τέλος του

πλάνισματος. Το πλάνισμα θα είναι ευκολότερο αν δώσετε κλίση στο τεμάχιο εργασίας με ακίνητο τρόπο, ώστε να πλάνιζετε κάπως κατηφορικά.

Η ταχύτητα και το βάθος κοπής καθορίζουν το είδος του τελειώματος. Η ηλεκτρική πλάνη συνεχίζει να κόβει με ταχύτητα που δεν θα έχει ως αποτέλεσμα την εμπλοκή λόγω των θραυσμάτων. Για πρόχειρη κοπή, το βάθος της κοπής μπορεί να αυξηθεί, ενώ για ένα καλό τελείωμα θα πρέπει να μειώσετε το βάθος κοπής και να προωθήτε το εργαλείο πιο αργά.

Δημιουργία αυλακιών (ένωση με γκινισιά) (Εικ. 17)

Για να κάνετε μια βηματική κοπή όπως απεικονίζεται στην εικόνα, χρησιμοποιήστε τον οδηγό άκρου (κανόνας οδηγήσης) ο οποίος αποκτιέται ως αξεσουάρ. (Εικ. 18) Σχεδιάστε μια γραμμή κοπής στο τεμάχιο εργασίας. Τοποθετήστε τον οδηγό άκρου στην οπή στην πρόσοψη του εργαλείου. Ευθυγραμμίστε το άκρο μαχαιριού με τη γραμμή κοπής. (Εικ. 19)

Ρυθμίστε τον οδηγό άκρου έως ότου έρθει σε επαφή με την πλευρά του τεμαχίου εργασίας και στη συνέχεια, σταθεροποιήστε τον σφίγγοντας τη βίδα. (Εικ. 20)

Κατά το πλάνισμα, κινήστε το εργαλείο με τον οδηγό άκρου ευθυγραμμισμένο με το πλαϊνό μέρος του τεμαχίου εργασίας. Ειδάλλως, μπορεί να προκύψει ανομοιόμορφο πλάνισμα.

Μέγιστη δημιουργία αυλακιών (ένωση με γκινισιά) βάθος 9 mm. (Εικ. 21)

Ενδεχομένως να επιθυμείτε να αυξήσετε το μήκος του οδηγού προσαρτώνας ένα πρόσθετο κομμάτι ξύλου. Για το σκοπό αυτό παρέχονται βολικές οπές στον οδηγό αλλά και για την προσάρτηση ενός οδηγού προέκτασης (προαιρετικό αξεσουάρ).

Γωνιοτομή (Εικ. 22 και 23)

Για να κάνετε μια γωνιοτομή όπως απεικονίζεται στην εικόνα, ευθυγραμμίστε την εγκοπή σχήματος “V” στην μπροστινή βάση με το άκρο του τεμαχίου εργασίας και πλάνιστε.

ΣΥΝΤΗΡΗΣΗ

⚠ ΠΡΟΣΟΧΗ:

- Να βεβαιώνετε πάντοτε ότι έχετε σβήσει το εργαλείο και έχετε βγάλει την κασέτα μπαταρίας πριν εκτελέσετε οποιαδήποτε εργασία ελέγχου ή συντήρησης σε αυτό.
- Μην χρησιμοποιήσετε βενζίνη, βενζόλη, διαλυτικό, αλκοόλη ή κάτι παρόμοιο. Μπορεί να προκληθεί αποχρωματισμός, παραμόρφωση ή ρωγμές.

Ακόνισμα των μαχαιριών πλάνισματος

Μόνο για συμβατικά μαχαιρία (Εικ. 24)

Να διατηρείτε πάντα τα μαχαιρία σας αιχμηρά για να έχετε τη βέλτιστη δυνατή απόδοση. Χρησιμοποιήστε τον υποδοχέα ακόνισματος (προαιρετικό αξεσουάρ) για να αφαιρέσετε χαραγές και να παράγετε ένα καθαρό άκρο. (Εικ. 25)

Πρώτα, χαλαρώστε τα δύο παξιμάδια πεταλούδα στον υποδοχέα και εισάγετε τα μαχαιρία (Α) και (Β), ώστε να έρχονται σε επαφή με τις πλευρές (C) και (D). Κατόπιν, σφίξτε τα παξιμάδια πεταλούδα. (Εικ. 26)

Βυθίστε την πέτρα ακόνισματος σε νερό για 2 ή 3 λεπτά πριν από το ακόνισμα. Κρατήστε τον υποδοχέα ώστε και τα δύο μαχαιρία να έρχονται σε επαφή με την πέτρα ακόνισματος για ταυτόχρονο ακόνισμα στην ίδια γωνία.

Αλλαγή καρβουνακιών (Εικ. 27)

Να αφαιρείτε και να ελέγχετε τακτικά τα καρβουνάκια. Να αντικαθιστάτε τα καρβουνάκια όταν έχουν φθαρεί έως την ένδειξη ορίου. Να διατηρείτε τα καρβουνάκια καθαρά και ελεύθερα για να γλιστρούν στις υποδοχές. Πρέπει να αλλάζετε ταυτόχρονα και τα δύο καρβουνάκια. Να χρησιμοποιείτε μόνο καρβουνάκια ίδιου τύπου. (Εικ. 28 και 29)

Χρησιμοποιήστε το κατσαβίδι για να βγάλετε το κάλυμμα θραυσμάτων ή το ακροφύσιο. (Εικ. 30)

Με τη βοήθεια ενός κατσαβιδίου, βγάλτε τα καπάκια υποδοχής για τα καρβουνάκια. Βγάλτε τα φαρμένα καρβουνάκια, τοποθετήστε τα καινούργια και ασφαλίστε τα καπάκια υποδοχής για τα καρβουνάκια.

Για να διατηρείται η ΑΣΦΑΛΕΙΑ και η ΑΞΙΟΠΙΣΤΙΑ του προϊόντος, οι εργασίες επισκευής, καθώς και οποιαδήποτε άλλη εργασία συντήρησης ή ρύθμισης, θα πρέπει να εκτελούνται σε εξουσιοδοτημένα κέντρα εξυπηρέτησης της Makita, και πάντοτε με τη χρήση ανταλλακτικών της Makita.

ΠΡΟΑΙΡΕΤΙΚΑ ΑΞΕΣΟΥΑΡ

⚠ ΠΡΟΣΟΧΗ:

- Συνιστάται η χρήση αυτών των αξεσουάρ ή εξαρτημάτων με το εργαλείο της Makita, όπως περιγράφεται στο παρόν εγχειρίδιο. Αν χρησιμοποιήσετε άλλα αξεσουάρ ή εξαρτήματα μπορεί να παρουσιαστεί κίνδυνος για πρόκληση τραυματισμού προσώπων. Να χρησιμοποιείτε τα αξεσουάρ και τα εξαρτήματα μόνο για το σκοπό για τον οποίο προορίζονται.

Αν χρειάζεστε κάποια βοήθεια ή περισσότερες πληροφορίες σχετικά με τα αξεσουάρ αυτά, απευθυνθείτε στο πλησιέστερο κέντρο εξυπηρέτησης της Makita.

- Ατσάλινο μαχαίρι πλάνης για υψηλές ταχύτητες
- Μαχαίρι πλάνης από βολφράμιο-καρβίδιο (για μακρύτερη ζωή μαχαιριού)
- Μικρό μαχαίρι πλάνης
- Συγκρότημα υποδοχής ακόνισματος
- Μετρητή μαχαιριού
- Σετ πλάκας συγκράτησης
- Οδηγός άκρου (Κανόνας οδηγήσης)
- Σετ οδηγού προέκτασης
- Πέτρα ακόνισματος
- Ακροφύσιο
- Συγκρότημα σάκου σκόνης
- Γωνία
- Σωληνωτό κλειδί
- Πλαστική θήκη μεταφοράς
- Διάφοροι τύποι γνήσιων μπαταριών και φορτιστών της Makita

ΣΗΜΕΙΩΣΗ:

- Ορισμένα από τα στοιχεία της λίστα μπορεί να περιέχονται στην συσκευασία του εργαλείου ως κανονικά αξεσουάρ. Αυτά ενδέχεται να διαφέρουν από χώρα σε χώρα.

Θόρυβος

ENG905-1

Το σύνθηρες σταθμισμένο επίπεδο θορύβου που έχει καθοριστεί σύμφωνα με την EN60745:

Μοντέλο DKP140

Επίπεδο ηχητικής πίεσης (L_{pA}): 80 dB (A)
Αβεβαιότητα (K): 3 dB (A)

Το επίπεδο θορύβου σε λειτουργία ενδέχεται να υπερβεί τα 80 dB (A).

Μοντέλο DKP180

Επίπεδο ηχητικής πίεσης (L_{pA}): 84 dB (A)
Επίπεδο ηχητικής ισχύος (L_{WA}): 95 dB (A)
Αβεβαιότητα (K): 3 dB (A)

Να φοράτε ωτοασπίδες.

Δόνηση

ENG900-1

Η συνολική τιμή δόνησης (διανυσματικό άθροισμα τριών αξόνων) που έχει καθοριστεί σύμφωνα με την EN60745:

Μοντέλο DKP140

Κατάσταση λειτουργίας: πλάνισμα μαλακής ξυλείας
Εκπομπή δόνησης (a_h): 3,5 m/s²
Αβεβαιότητα (K): 1,5 m/s²

Μοντέλο DKP180

Κατάσταση λειτουργίας: πλάνισμα μαλακής ξυλείας
Εκπομπή δόνησης (a_h): 4,5 m/s²
Αβεβαιότητα (K): 1,5 m/s²

ENG901-1

- Η δηλωθείσα τιμή των παραγομένων κραδασμών έχει καταμετρηθεί σύμφωνα με την τυποποιημένη μέθοδο δοκιμασίας και μπορεί να χρησιμοποιηθεί για την σύγκριση ενός εργαλείου με ένα άλλο.
- Η δηλωθείσα τιμή των παραγομένων κραδασμών μπορεί επίσης να χρησιμοποιηθεί για μια προκαταρκτική αξιολόγηση της έκθεσης στους κραδασμούς.

⚠️ ΠΡΟΕΙΔΟΠΟΙΗΣΗ:

- Η εκπομπή κραδασμών κατά τη διάρκεια της πραγματικής χρήσης του ηλεκτρικού εργαλείου μπορεί να διαφέρει από τη δηλωθείσα τιμή των εκπομπών, ανάλογα με τον τρόπο με τον οποίο χρησιμοποιείται το εργαλείο.
- Φροντίστε να λάβετε τα μέτρα ασφαλείας που απαιτούνται για την προστασία του χρήστη που βασίζονται σε μια εκτίμηση της έκθεσης σε πραγματικές συνθήκες χρήσης (λαμβάνοντας υπόψη όλα τα μέρη του κύκλου λειτουργίας, όπως είναι οι περιπτώσεις κατά τις οποίες το εργαλείο είναι απενεργοποιημένο και όταν λειτουργεί στο ρελαντί επιπροσθέτως του χρόνου κατά τον οποίο το εργαλείο βρίσκεται σε χρήση).

Για τις ευρωπαϊκές χώρες μόνο

ENH101-16

ΕΚ – Δήλωση συμμόρφωσης

Η εταιρία Makita ως υπεύθυνος κατασκευαστής, δηλώνει ότι το παρακάτω μηχάνημα(-τα) της Makita:

Ονομασία μηχανήματος:

Πλάνη μπαταρίας

Αρ. Μοντέλου/ Τύπος: DKP140, DKP180

αποτελούν παραγωγή σε σειρά και

Συμμορφώνονται με τις ακόλουθες Ευρωπαϊκές

Οδηγίες:

2006/42/EK

Και κατασκευάζονται σύμφωνα με τα παρακάτω πρότυπα ή τυποποιημένα έγγραφα:

EN60745

Τα τεχνικά έγγραφα διατηρούνται από το:

Makita International Europe Ltd.

Technical Department,

Michigan Drive, Tongwell,

Milton Keynes, Bucks MK15 8JD, England

06. 06. 2013



Tomoyasu Kato

Διευθυντής

Makita Corporation

3-11-8, Sumiyoshi-cho,

Anjo, Aichi, 446-8502, JAPAN

Makita Corporation
Anjo, Aichi, Japan

www.makita.com

885273A991

ALA