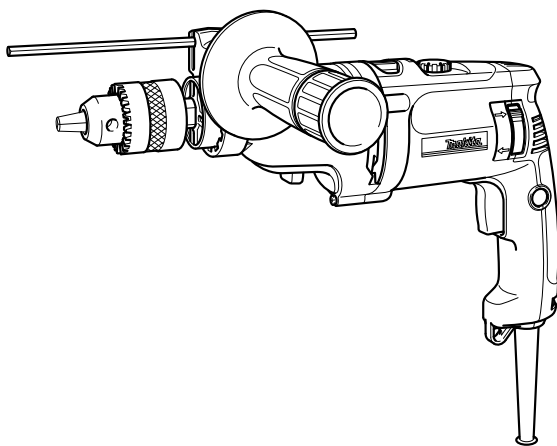
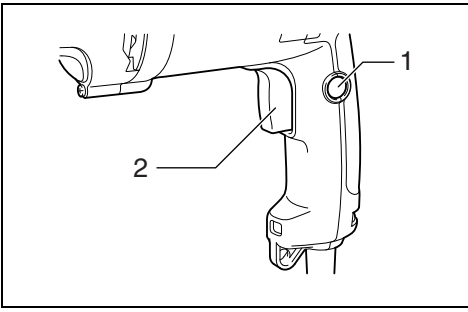




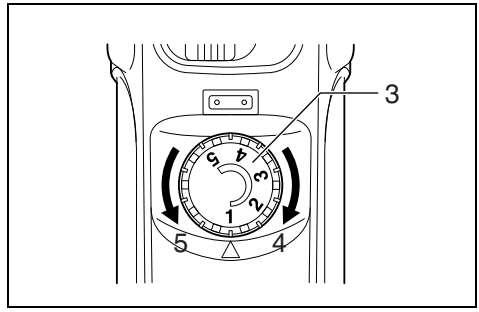
GB	2-Speed Hammer Drill	Instruction Manual
F	Perceuse à percussion à 2 vitesses	Manuel d'instructions
D	2-Gang-Schlagbohrmaschine	Betriebsanleitung
I	Trapano a percussione a 2 velocità	Istruzioni per l'uso
NL	2-snelheden hamerboor	Gebruiksaanwijzing
E	2 velocidad taladro de percusión	Manual de instrucciones
P	Berbequim de percussão de 2 velocidades	Manual de instruções
DK	Borehammer med to hastigheder	Brugsanvisning
GR	2 Κρουστικό τρυπάνι ταχύτητας	Οδηγίες χρήσεως

HP2070
HP2070F
HP2071
HP2071F

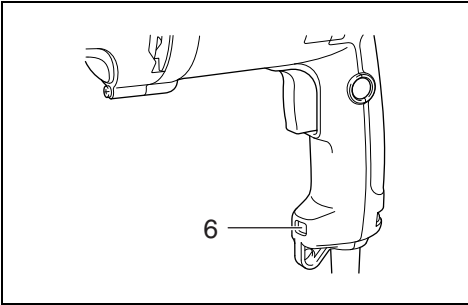




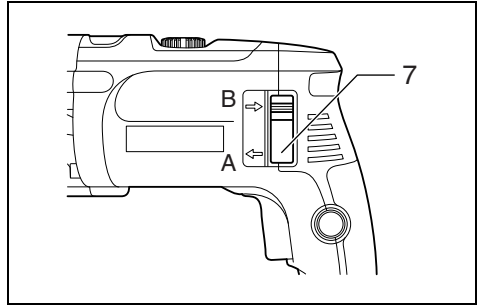
1 004285



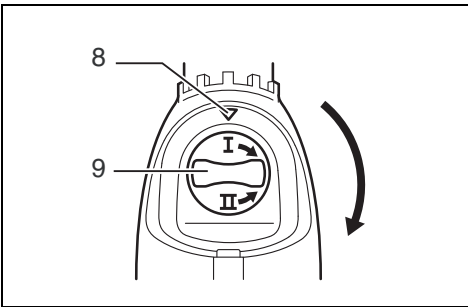
2 004286



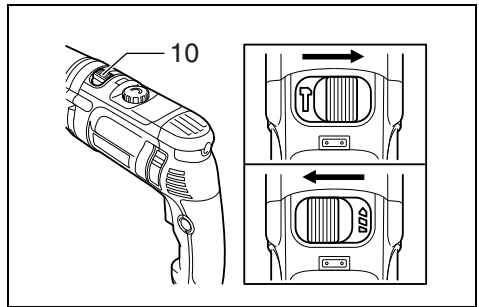
3 004287



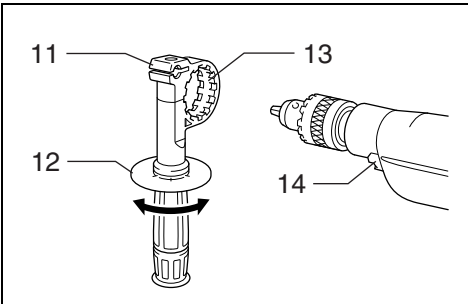
4 004288



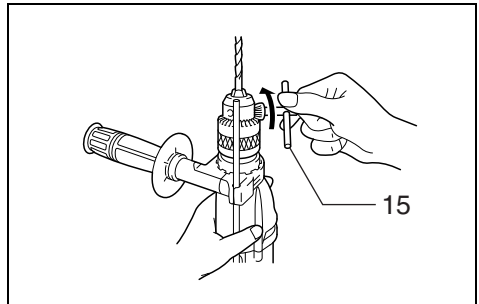
5 002691



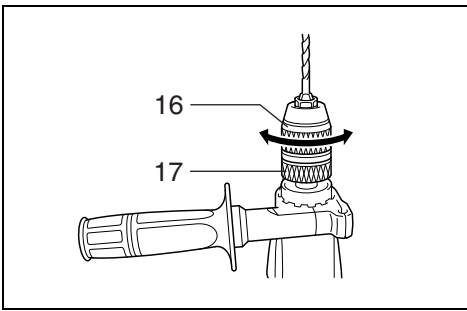
6 004289



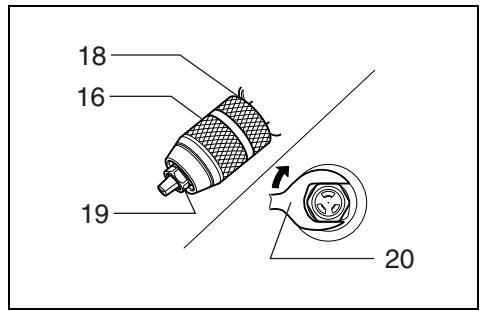
7 002693



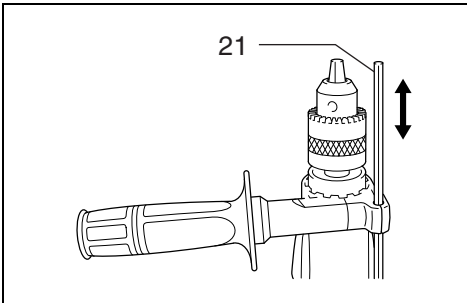
8 002694



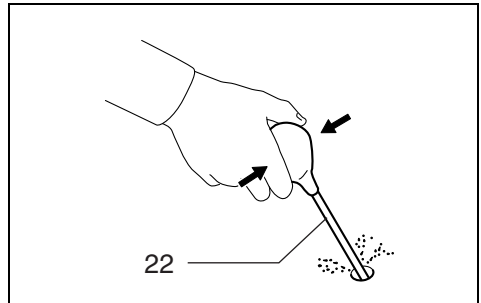
9 002695



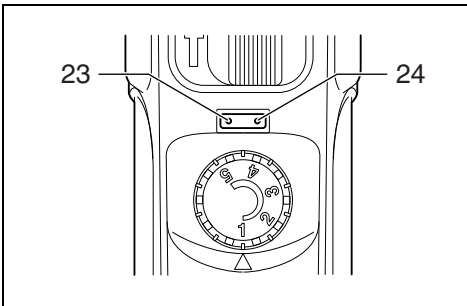
10 004390



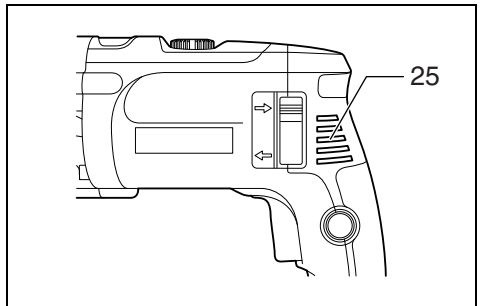
11 002696



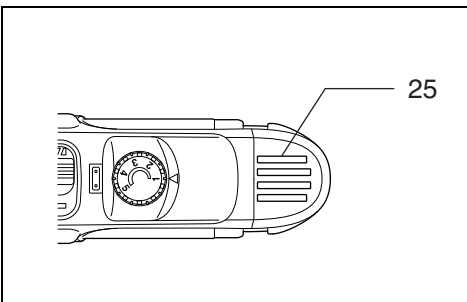
12 001302



13 004290



14 004291




15 004350

Explanation of general view

1 Lock button	10 Action mode changing lever	19 Hexagonal nut
2 Switch trigger	11 Grip base	20 Wrench 19
3 Speed adjusting dial	12 Side grip (auxiliary handle)	21 Depth gauge
4 Higher	13 Teeth	22 Blow-out bulb
5 Lower	14 Protrusions	23 Power-ON indicator lamp (green)
6 Lamp	15 Chuck key	24 Service indicator lamp (red)
7 Reversing switch	16 Sleeve	25 Vent holes
8 Arrow	17 Ring	
9 Speed change knob	18 Retaining ring	

SPECIFICATIONS

Model		HP2070/HP2070F		HP2071/HP2071F	
Speed		High	Low	High	Low
Capacities	Concrete	20 mm	----	20 mm	----
	Steel	8 mm	16 mm	8 mm	16 mm
	Wood	25 mm	40 mm	25 mm	40 mm
No load speed (min ⁻¹)		0 – 2,900	0 – 1,200	0 – 2,900	0 – 1,200
Blows per minute		0 – 58,000	0 – 24,000	0 – 58,000	0 – 24,000
Overall length		364 mm		362 mm	
Net weight		2.6 kg		2.6 kg	
Safety class		 /II			

- Due to our continuing program of research and development, the specifications herein are subject to change without notice.
- Specifications may differ from country to country.
- Weight according to EPTA-Procedure 01/2003

ENE042-1

Intended use

The tool is intended for hammer drilling and drilling in brick, concrete and stone.

It is also suitable for drilling without impact in wood, metal, ceramic and plastic.

ENF002-2

Power supply

The tool should be connected only to a power supply of the same voltage as indicated on the nameplate, and can only be operated on single-phase AC supply. They are double-insulated and can, therefore, also be used from sockets without earth wire.

GEA010-1

General Power Tool Safety Warnings

⚠ WARNING Read all safety warnings and all instructions. Failure to follow the warnings and instructions may result in electric shock, fire and/or serious injury.

Save all warnings and instructions for future reference.

GEB003-5

HAMMER DRILL SAFETY WARNINGS

1. **Wear ear protectors when impact drilling.** Exposure to noise can cause hearing loss.
2. **Use auxiliary handle(s), if supplied with the tool.** Loss of control can cause personal injury.

3. **Hold power tool by insulated gripping surfaces, when performing an operation where the cutting accessory may contact hidden wiring or its own cord.** Cutting accessory contacting a “live” wire may make exposed metal parts of the power tool “live” and could give the operator an electric shock.
4. **Always be sure you have a firm footing. Be sure no one is below when using the tool in high locations.**
5. **Hold the tool firmly with both hands.**
6. **Keep hands away from rotating parts.**
7. **Do not leave the tool running. Operate the tool only when hand-held.**
8. **Do not touch the bit or the workpiece immediately after operation; they may be extremely hot and could burn your skin.**
9. **Some material contains chemicals which may be toxic. Take caution to prevent dust inhalation and skin contact. Follow material supplier safety data.**

SAVE THESE INSTRUCTIONS.

⚠ WARNING:

DO NOT let comfort or familiarity with product (gained from repeated use) replace strict adherence to safety rules for the subject product. **MISUSE** or failure to follow the safety rules stated in this instruction manual may cause serious personal injury.

FUNCTIONAL DESCRIPTION

⚠ CAUTION:

- Always be sure that the tool is switched off and unplugged before adjusting or checking function on the tool.

Switch action (Fig. 1 & 2)

⚠ CAUTION:

- Before plugging in the tool, always check to see that the switch trigger actuates properly and returns to the "OFF" position when released.

To start the tool, simply pull the switch trigger. Tool speed is increased by increasing pressure on the switch trigger. Release the switch trigger to stop.

For continuous operation, pull the switch trigger and then push in the lock button.

To stop the tool from the locked position, pull the switch trigger fully, then release it.

A speed adjusting dial is provided so that maximum tool speed can be limited (variable). Turn the speed adjusting dial clockwise for higher speed, and counterclockwise for lower speed.

Lighting up the lamps (Fig. 3)

For Model HP2070F, HP2071F

⚠ CAUTION:

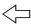
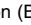
- Do not look in the light or see the source of light directly.

To turn on the lamp, pull the trigger. Release the trigger to turn it off.

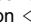

NOTE:

- Use a dry cloth to wipe the dirt off the lens of lamp. Be careful not to scratch the lens of lamp, or it may lower the illumination.
- Never use gasoline or thinner to clean the lens of the lamp, or it will be damaged.

Reversing switch action (Fig. 4)

This tool has a reversing switch to change the direction of rotation. Move the reversing switch lever to the  position (A side) for clockwise rotation or the  position (B side) for counterclockwise rotation.

⚠ CAUTION:

- Always check the direction of rotation before operation.
- Use the reversing switch only after the tool comes to a complete stop. Changing the direction of rotation before the tool stops may damage the tool.
- If the switch trigger can not be depressed, check to see that the reversing switch is fully set to position  (A side) or  (B side).

Speed change (Fig. 5)

Two speed ranges can be preselected with the speed change knob.

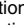

To change the speed, turn the speed change knob so that the arrow on the tool body points toward the "I" position on the knob for low speed or "II" position for high speed.

If it is hard to turn the knob, first turn the chuck slightly in either direction and then turn the knob again.

⚠ CAUTION:

- Use the speed change knob only after the tool comes to a complete stop. Changing the tool speed before the tool stops may damage the tool.
- Always set the speed change knob to the correct position. If you operate the tool with the speed change knob positioned halfway between the "I" and "II" position, the tool may be damaged.

Selecting the action mode (Fig. 6)

This tool has an action mode change lever. For rotation with hammering, slide the action mode change lever to the right ( symbol). For rotation only, slide the action mode change lever to the left ( symbol).

⚠ CAUTION:

- Always slide the action mode change lever all the way to your desired mode position. If you operate the tool with the lever positioned halfway between the mode symbols, the tool may be damaged.

ASSEMBLY

⚠ CAUTION:

- Always be sure that the tool is switched off and unplugged before carrying out any work on the tool.

Installing side grip (auxiliary handle) (Fig. 7)

Always use the side grip to ensure operating safety. Install the side grip so that the teeth on the grip fit in between the protrusions on the tool barrel.

Then tighten the grip by turning clockwise at the desired position. It may be swung 360° so as to be secured at any position.

Installing or removing drill bit

For Model HP2070, HP2070F (Fig. 8)

To install the bit, place it in the chuck as far as it will go. Tighten the chuck by hand. Place the chuck key in each of the three holes and tighten clockwise. Be sure to tighten all three chuck holes evenly.

To remove the bit, turn the chuck key counterclockwise in just one hole, then loosen the chuck by hand.

After using the chuck key, be sure to return to the original position.

For Model HP2071, HP2071F (Fig. 9)

Hold the ring and turn the sleeve counterclockwise to open the chuck jaws. Place the bit in the chuck as far as it will go. Hold the ring firmly and turn the sleeve clockwise to tighten the chuck.

To remove the bit, hold the ring and turn the sleeve counterclockwise.

NOTE:

- If the keyless drill chuck cannot be loosened because of a drill bit being caught inside the jaws of the chuck, loosen the drill chuck as follows.

1. Hold the sleeve of the drill chuck firmly with water pump pliers or the like (Note: Do not hold the retaining ring portion.)
2. Place the wrench 19, adjustable wrench or one of other appropriate wrenches on the hexagonal nut at the front of the drill chuck. Turn the wrench clockwise as shown in the **Fig. 10** to loosen the drill chuck.

Depth gauge (Fig. 11)

The depth gauge is convenient for drilling holes of uniform depth. Loosen the side grip and insert the depth gauge into the hole in the side grip. Adjust the depth gauge to the desired depth and tighten the side grip.

NOTE:

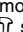
- The depth gauge cannot be used at the position where the depth gauge strikes against the tool body.

OPERATION

Hammer drilling operation

⚠ CAUTION:

- There is a tremendous and sudden twisting force exerted on the tool/bit at the time of hole breakthrough, when the hole becomes clogged with chips and particles, or when striking reinforcing rods embedded in the concrete. Always use the side grip (auxiliary handle) and firmly hold the tool by both side grip and switch handle during operations. Failure to do so may result in the loss of control of the tool and potentially severe injury.

When drilling in concrete, granite, tile, etc., move the action mode changing lever to the position of  symbol to use "rotation with hammering" action.

Be sure to use a tungsten-carbide tipped bit.

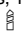
Position the bit at the desired location for the hole, then pull the switch trigger. Do not force the tool. Light pressure gives best results. Keep the tool in position and prevent it from slipping away from the hole.

Do not apply more pressure when the hole becomes clogged with chips or particles. Instead, run the tool at an idle, then remove the bit partially from the hole. By repeating this several times, the hole will be cleaned out and normal drilling may be resumed.

Blow-out bulb (optional accessory) (Fig. 12)

After drilling the hole, use the blow-out bulb to clean the dust out of the hole.

Drilling operation

When drilling in wood, metal or plastic materials, move the action mode changing lever to the position of  symbol to use "rotation only" action.

Drilling in wood

When drilling in wood, the best results are obtained with wood drills equipped with a guide screw. The guide screw makes drilling easier by pulling the bit into the workpiece.

Drilling in metal

To prevent the bit from slipping when starting a hole, make an indentation with a center-punch and hammer at the point to be drilled. Place the point of the bit in the indentation and start drilling.

Use a cutting lubricant when drilling metals. The exceptions are iron and brass which should be drilled dry.

⚠ CAUTION:

- Pressing excessively on the tool will not speed up the drilling. In fact, this excessive pressure will only serve to damage the tip of your bit, decrease the tool performance and shorten the service life of the tool.
- There is a tremendous force exerted on the tool/bit at the time of hole break through. Hold the tool firmly and exert care when the bit begins to break through the workpiece.

- A stuck bit can be removed simply by setting the reversing switch to reverse rotation in order to back out. However, the tool may back out abruptly if you do not hold it firmly.
- Always secure small workpieces in a vise or similar hold-down device.

MAINTENANCE

⚠ CAUTION:

- Always be sure that the tool is switched off and unplugged before attempting to perform inspection or maintenance.
- Never use gasoline, benzene, thinner, alcohol or the like. Discoloration, deformation or cracks may result.

Indicator lamp (Fig. 13)

The green power-ON indicator lamp lights up when the tool is switched ON. If the indicator lamp is lit but the tool does not start, the carbon brushes may be worn out, or the electric circuit or the motor may be defective. If the indicator lamp does not light up and the tool does not start, the ON/OFF switch or the mains cord may be defective.

The red service indicator lamp lights up when the tool is excessively loaded. Continued operation under such a condition will result in a failure or breakage of the tool.

At this time, cool down the tool by running the tool under no load.

Cleaning vent holes (Fig. 14 & 15)

The tool and its air vents have to be kept clean. Regularly clean the tool's air vents or whenever the vents start to become obstructed.

To maintain product SAFETY and RELIABILITY, repairs, carbon brush inspection and replacement, any other maintenance or adjustment should be performed by Makita Authorized Service Centers, always using Makita replacement parts.

OPTIONAL ACCESSORIES

⚠ CAUTION:

- These accessories or attachments are recommended for use with your Makita tool specified in this manual. The use of any other accessories or attachments might present a risk of injury to persons. Only use accessory or attachment for its stated purpose.

If you need any assistance for more details regarding these accessories, ask your local Makita Service Center.

- Tungsten-carbide tipped hammer bit
- Hole saws
- Blow-out bulb
- Safety goggles
- Keyless drill chuck 13
- Chuck key
- Grip assembly
- Depth gauge
- Plastic carrying case

NOTE:

- Some items in the list may be included in the tool package as standard accessories. They may differ from country to country.

Noise

The typical A-weighted noise level determined according to EN60745:

Sound pressure level (L_{pA}): 99 dB (A)

Sound power level (L_{WA}): 110 dB (A)

Uncertainty (K): 3 dB (A)

Wear ear protection

ENG900-1

Vibration

The vibration total value (tri-axial vector sum) determined according to EN60745:

Work mode: impact drilling into concrete

Vibration emission ($a_{h,1D}$): 16.0 m/s²

Uncertainty (K): 1.5 m/s²

Work mode: drilling into metal

Vibration emission ($a_{h,1D}$): 2.5 m/s²

Uncertainty (K): 1.5 m/s²

ENG901-1

- The declared vibration emission value has been measured in accordance with the standard test method and may be used for comparing one tool with another.
- The declared vibration emission value may also be used in a preliminary assessment of exposure.

⚠ WARNING:

- The vibration emission during actual use of the power tool can differ from the declared emission value depending on the ways in which the tool is used.
- Be sure to identify safety measures to protect the operator that are based on an estimation of exposure in the actual conditions of use (taking account of all parts of the operating cycle such as the times when the tool is switched off and when it is running idle in addition to the trigger time).

ENH101-15

For European countries only**EC Declaration of Conformity**

We Makita Corporation as the responsible manufacturer declare that the following Makita machine(s):

Designation of Machine:

2-Speed Hammer Drill

Model No./ Type: HP2070, HP2070F, HP2071, HP2071F are of series production and

Conforms to the following European Directives:

2006/42/EC

And are manufactured in accordance with the following standards or standardised documents:

EN60745

The technical documentation is kept by our authorized representative in Europe who is:

Makita International Europe Ltd.

Michigan Drive, Tongwell,

Milton Keynes, Bucks MK15 8JD, England

30.1.2009




Tomoyasu Kato
Director

Makita Corporation
3-11-8, Sumiyoshi-cho,
Anjo, Aichi, 446-8502, JAPAN

Descriptif

1 Bouton de verrouillage	10 Levier de changement de mode	19 Écrou hexagonal
2 Gâchette	11 Base de la poignée	20 Clé 19
3 Cadran de réglage de la vitesse	12 Poignée latérale (poignée auxiliaire)	21 Gabarit de profondeur
4 Plus rapide	13 Crans	22 Poire soufflante
5 Plus lente	14 Saillies	23 Voyant de mise sous tension (ON) (vert)
6 Lampe	15 Clé de mandrin	24 Voyant de service (rouge)
7 Inverseur	16 Manchon	25 Orifices de ventilation
8 Flèche	17 Anneau	
9 Bouton de changement de vitesse	18 Anneau de fixation	

SPÉCIFICATIONS

Modèle		HP2070/HP2070F		HP2071/HP2071F	
Vitesse		Vitesse rapide	Vitesse lente	Vitesse rapide	Vitesse lente
Capacités	Béton	20 mm	----	20 mm	----
	Acier	8 mm	16 mm	8 mm	16 mm
	Bois	25 mm	40 mm	25 mm	40 mm
Vitesse à vide (min ⁻¹)		0 – 2 900	0 – 1 200	0 – 2 900	0 – 1 200
Cadence de frappe/min		0 – 58 000	0 – 24 000	0 – 58 000	0 – 24 000
Longueur totale		364 mm		362 mm	
Poids net		2,6 kg		2,6 kg	
Catégorie de sécurité		 II			

- Etant donné l'évolution constante de notre programme de recherche et de développement, les spécifications contenues dans ce manuel sont sujettes à modification sans préavis.
- Les spécifications peuvent varier suivant les pays.
- Poids selon la procédure EPTA 01/2003

ENE042-1

Utilisations

L'outil est conçu pour être utilisé en tant que marteau perforateur ou perceuse pour la brique, le béton et la pierre.

Il convient également au perçage sans impact dans le bois, le métal, la céramique et le plastique.

ENF002-2

Alimentation

L'outil ne devra être raccordé qu'à une alimentation de la même tension que celle qui figure sur la plaque signalétique, et il ne pourra fonctionner que sur un courant secteur monophasé. Réalisé avec une double isolation, il peut de ce fait être alimenté sans mise à la terre.

GEA010-1

Consignes de sécurité générales pour outils électriques

⚠ MISE EN GARDE Veuillez lire toutes les mises en garde et toutes les instructions. Il y a risque de choc électrique, d'incendie et/ou de blessure grave si les mises en garde et les instructions ne sont pas respectées.

Conservez toutes les mises en garde et instructions pour référence ultérieure.

GEB003-5

CONSIGNES DE SÉCURITÉ POUR LA PERCEUSE À PERCUSSION

1. **Portez des protections d'oreilles lorsque vous utilisez une perceuse à percussion.** L'exposition au bruit peut entraîner la surdité.
2. **Utilisez la ou les poignée(s) auxiliaire(s), si l'outil en possède.** La perte de contrôle comporte un risque de blessure.
3. **Saisissez l'outil électrique par ses surfaces de poigne isolées lorsque vous effectuez une opération au cours de laquelle l'outil tranchant peut entrer en contact avec un câble caché ou avec son propre cordon d'alimentation.** Le contact de l'outil tranchant avec un fil sous tension peut mettre les parties métalliques de l'outil électrique sous tension et causer un choc électrique chez l'utilisateur.
4. **Assurez-vous toujours de travailler en position stable.**
Lorsque vous utilisez l'outil dans un endroit élevé, assurez-vous qu'il n'y a personne en bas.
5. **Tenez l'outil fermement à deux mains.**
6. **Gardez les mains éloignées des pièces en rotation.**
7. **Ne laissez pas l'outil tourner. Ne le faites fonctionner que lorsque vous le tenez.**
8. **Ne touchez pas le foret ou le matériau immédiatement après l'utilisation ; ils peuvent être extrêmement chauds et brûler votre peau.**

9. Certains matériaux contiennent des produits chimiques qui peuvent être toxiques. Prenez les précautions nécessaires pour éviter que la poussière ne soit inhalée ou n'entre en contact avec la peau. Suivez les consignes de sécurité du fournisseur du matériau.

CONSERVEZ CES INSTRUCTIONS.

⚠ AVERTISSEMENT :

NE vous laissez PAS tromper (au fil d'une utilisation répétée) par un sentiment d'aisance et de familiarité avec le produit, en négligeant le respect rigoureux des consignes de sécurité qui accompagnent le produit en question. La MAUVAISE UTILISATION de l'outil ou l'ignorance des consignes de sécurité indiquées dans ce manuel d'instructions peut entraîner une blessure grave.

DESCRIPTION DU FONCTIONNEMENT

⚠ ATTENTION :

- Assurez-vous toujours que l'outil est hors tension et débranché avant de l'ajuster ou de vérifier son fonctionnement.

Interrupteur (Fig. 1 et 2)

⚠ ATTENTION :

- Avant de brancher l'outil, vérifiez toujours que la gâchette fonctionne correctement et revient en position d'arrêt une fois relâchée.

Pour mettre l'outil en marche, appuyez simplement sur la gâchette. La vitesse de l'outil augmente à mesure que l'on accroît la pression exercée sur la gâchette. Pour l'arrêter, relâchez la gâchette.

Pour un fonctionnement continu, appuyez sur la gâchette puis enfoncez le bouton de verrouillage.

Pour arrêter l'outil alors qu'il est en position verrouillée, appuyez à fond sur la gâchette puis relâchez-la.

L'outil est muni d'un cadran de réglage de la vitesse qui permet de limiter (de manière variable) sa vitesse maximale. Tournez le cadran de réglage de la vitesse dans le sens des aiguilles d'une montre pour augmenter cette vitesse, et en sens inverse pour la réduire.

Allumage de la lampe (Fig. 3)

Pour les modèles HP2070F et HP2071F

⚠ ATTENTION :



- Évitez de regarder directement le faisceau lumineux ou sa source.

Pour allumer la lampe, appuyez sur la gâchette. Pour l'éteindre, relâchez la gâchette.

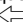
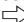
NOTE :

- Utilisez un chiffon sec pour essuyer la saleté qui recouvre la lentille de la lampe. Prenez garde de rayer la lentille de la lampe, pour éviter une diminution de l'éclairage.
- N'utilisez jamais d'essence ou de diluant pour nettoyer la lentille de la lampe, sinon vous risquez de l'endommager.

Inverseur (Fig. 4)

Cet outil est muni d'un inverseur pour modifier le sens de rotation. Déplacez l'inverseur sur la position  (côté A) pour une rotation vers la droite, et sur la position  (côté B) pour une rotation en sens inverse.

⚠ ATTENTION :

- Vérifiez toujours le sens de rotation avant de mettre l'outil en marche.
- N'actionnez l'inverseur qu'une fois que l'outil est complètement arrêté. Si vous changez le sens de rotation avant l'arrêt de l'outil, vous risquez de l'endommager.
- Si vous n'arrivez pas à enfoncer la gâchette, vérifiez que l'inverseur est parfaitement placé sur la position  (côté A) ou  (côté B).

Changement de vitesse (Fig. 5)

Le bouton de changement de vitesse permet de sélectionner à l'avance deux plages de vitesse.

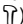

Pour changer la vitesse, tournez le bouton de changement de vitesse de sorte que la flèche qui se trouve sur le bâti de l'outil pointe vers la position " I " sur le bouton, qui correspond à la vitesse basse, ou sur la position " II ", qui correspond à la vitesse élevée.

Si vous avez du mal à tourner le bouton, tournez d'abord légèrement le mandrin dans les deux sens, puis tournez le bouton.

⚠ ATTENTION :

- N'activez le bouton de changement de vitesse qu'une fois l'outil parfaitement arrêté. Vous risqueriez d'endommager l'outil en changeant la vitesse avant que l'outil ne soit arrêté.
- Placez toujours le bouton de changement de vitesse sur la position correcte. Si vous faites fonctionner l'outil avec le bouton de changement de vitesse placé à mi-course entre les positions " I " et " II ", il risque d'être endommagé.

Sélection du mode de fonctionnement (Fig. 6)

Cet outil est équipé d'un levier de changement de mode. Pour obtenir une rotation avec frappe, glissez le levier de changement de mode vers la droite (sur le symbole ). Pour obtenir uniquement un mouvement de rotation, glissez-le vers la gauche (sur le symbole ).

⚠ ATTENTION :

- Glissez toujours le levier de changement de mode complètement sur la position du mode désiré. Si vous faites fonctionner l'outil en plaçant le levier entre les symboles de mode, vous risquez d'endommager l'outil.

ASSEMBLAGE

⚠ ATTENTION :

- Assurez-vous toujours que l'outil est hors tension et débranché avant d'effectuer tout travail dessus.

Installation de la poignée latérale (poignée auxiliaire) (Fig. 7)

Pour garantir un travail en toute sécurité, utilisez toujours la poignée latérale. Installez la poignée latérale de façon que les crans de la poignée s'insèrent entre les saillies du collet de l'outil.

Puis, serrez la poignée en la tournant en sens des aiguilles d'une montre sur la position désirée. Elle pivote sur 360°, ce qui permet de la fixer à n'importe quelle position.

Installation ou retrait du foret

Pour les modèles HP2070 et HP2070F (Fig. 8)

Pour installer le foret/l'embout, introduisez-le à fond dans le mandrin. Serrez le mandrin à la main. Puis introduisez la clé de mandrin dans chacun des trois trous et serrez en tournant en sens des aiguilles d'une montre. Veillez à bien serrer les trois trous de façon uniforme.

Pour retirer le foret/l'embout, tournez la clé de mandrin en sens inverse des aiguilles d'une montre dans l'un des trois trous seulement, puis desserrez à la main.

Après avoir utilisé la clé de mandrin, remplacez-la dans le porte-clés.

Pour les modèles HP2071 et HP2071F (Fig. 9)

Saisissez l'anneau et tournez le manchon en sens inverse des aiguilles d'une montre pour ouvrir les mâchoires du mandrin. Placez le foret/l'embout dans le mandrin en l'enfonçant le plus loin possible. Saisissez fermement l'anneau et tournez le manchon en sens des aiguilles d'une montre pour serrer le mandrin.

Pour retirer le foret/l'embout, saisissez l'anneau et tournez le manchon en sens inverse des aiguilles d'une montre.

NOTE :

- Si vous n'arrivez pas à desserrer le mandrin sans clé parce qu'un foret est coincé dans les mâchoires du mandrin, procédez comme suit pour desserrer le mandrin.

1. Saisissez le manche du mandrin fermement avec une pince multiprise ou d'un type similaire. (Note : Ne pas le saisir par l'anneau de fixation.)
2. Placez la clé 19, la clé ajustable ou toute autre clé appropriée sur l'écrou hexagonal à l'avant du mandrin. Pour desserrer le mandrin, tournez la clé dans le sens des aiguilles d'une montre, tel qu'indiqué sur la Fig. 10.

Gabarit de profondeur (Fig. 11)

Le gabarit de profondeur vous permet de percer des trous de même profondeur. Desserrez la poignée latérale et insérez le gabarit de profondeur dans l'orifice de la poignée latérale. Réglez le gabarit à la profondeur désirée puis serrez la poignée latérale.

NOTE :

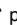
- Le gabarit de profondeur ne peut pas être utilisé sur une position dans laquelle il frappe contre le corps de l'outil.

UTILISATION

Perçage avec martelage

⚠ ATTENTION :

- Une force énorme s'exerce sur le foret et l'outil lorsque le foret émerge sur la face opposée, lorsque le trou est encombré de copeaux ou de particules, ou lors de la frappe sur des barres d'armature encastrées dans le béton. Utilisez toujours la poignée latérale (poignée auxiliaire) et tenez fermement l'outil par la poignée latérale et par la poignée revolver lors des travaux. Sinon, vous risquez de perdre le contrôle de l'outil et de subir une blessure grave.

Lorsque vous percez dans le béton, le granite, la tuile, etc., déplacez le levier de changement de mode sur la position indiquée par le symbole  pour utiliser un mouvement de "rotation avec frappe".

Assurez-vous d'utiliser un foret à pointe en carbure de tungstène.

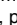
Placez le foret à l'endroit prévu pour le trou, puis appuyez sur la gâchette. N'appliquez pas une force excessive sur l'outil. Vous obtiendrez de meilleurs résultats en exerçant une légère pression. Maintenez l'outil en position et évitez qu'il ne glisse à l'extérieur du trou.

N'appliquez pas davantage de pression lorsque le trou est bouché par les copeaux et particules. Faites plutôt tourner l'outil au ralenti, puis retirez partiellement le foret du trou. En répétant cette opération quelques fois, le trou se débouchera et vous pourrez poursuivre le perçage normalement.

Poire soufflante (accessoire en option) (Fig. 12)

Une fois le trou percé, utilisez la poire soufflante pour retirer la poussière du trou.

Perçage

Lorsque vous percez dans le bois, le métal ou le plastique, déplacez le levier de changement de mode sur la position indiquée par le symbole , pour utiliser un mouvement de "rotation uniquement".

Perçage du bois

Quand vous percez dans du bois, vous obtiendrez de meilleurs résultats avec des forets en bois munies d'une vis-guide. Celle-ci rend le perçage plus aisé en tirant le foret à l'intérieur de la pièce.

Perçage du métal

Pour empêcher le foret de glisser en début de perçage, faites une indentation au point de perçage à l'aide d'un poinçon et d'un marteau. Placez ensuite la pointe du foret dans l'indentation et commencez à percer.

Quand vous forez dans du métal, utilisez un lubrifiant. Seuls le fer et le laiton peuvent se percer à sec.

⚠ ATTENTION :

- Une pression excessive sur l'outil n'accélère pas le perçage. Au contraire, elle risque d'endommager la pointe du foret, de réduire le rendement de l'outil et donc sa durée de service.
- Une force énorme s'exerce sur le foret et l'outil quand le premier émerge sur la face postérieure. Tenez votre outil fermement et faites bien attention dès que le foret commence à approcher de la face opposée du matériau que vous percez.
- Un foret coincé peut se retirer en plaçant l'inverseur sur la direction opposée. Il faut alors faire très attention car l'outil risque de reculer brusquement si vous ne le tenez pas fermement.
- Assurez toujours les petites pièces à percer à l'aide d'un étai ou d'un mode de fixation analogue.

ENTRETIEN

⚠ ATTENTION :

- Assurez-vous toujours que l'outil est hors tension et débranché avant d'y effectuer tout travail d'inspection ou d'entretien.
- N'utilisez jamais d'essence, benzine, diluant, alcool ou autre produit similaire. Cela risquerait de provoquer la décoloration, la déformation ou la fissuration de l'outil.

Voyant (Fig. 13)

Le voyant de mise sous tension (ON) (vert) s'allume lorsque l'outil est sous tension. Si le voyant est allumé mais que l'outil ne démarre pas, les charbons sont peut-être usés, ou le circuit électrique ou le moteur sont peut-être défectueux. Si le voyant ne s'allume pas et que l'outil ne démarre pas, l'interrupteur ON/OFF ou le cordon secteur sont peut-être défectueux.

Le voyant rouge de service s'allume lorsque l'outil est soumis à une charge excessive. Si vous poursuivez le travail dans ces conditions vous risquez d'entraîner un mauvais fonctionnement de l'outil ou de l'endommager.

Vous devez alors laisser refroidir l'outil en le laissant tourner à vide.

Nettoyage des orifices de ventilation (Fig. 14 et 15)

L'outil et ses orifices d'aération doivent être maintenus propres. Nettoyez régulièrement les orifices d'aération de l'outil, ou chaque fois qu'ils commencent à se boucher.

Pour maintenir la SÉCURITÉ et la FIABILITÉ du produit, les réparations, l'inspection et le remplacement des charbons, et tout autre travail d'entretien ou de réglage doivent être effectués dans un centre de service Makita agréé ou un centre de service de l'usine Makita, exclusivement avec des pièces de rechange Makita.

ACCESSOIRES EN OPTION

⚠ ATTENTION :

Ces accessoires ou pièces complémentaires sont recommandés pour l'utilisation avec l'outil Makita spécifié dans ce mode d'emploi. L'utilisation de tout autre accessoire ou pièce peut comporter un risque de blessure. N'utilisez les accessoires ou pièces qu'aux fins mentionnées dans le présent mode d'emploi.

Si vous désirez obtenir plus de détails concernant ces accessoires, veuillez contacter le centre de service après-vente Makita le plus près.

- Foret à pointe en carbure de tungstène
- Scies trépan
- Poire soufflante
- Lunettes de sécurité
- Mandrin auto-serrant 13
- Clé de mandrin
- Ensemble de poignée
- Gabarit de profondeur
- Mallette de transport en plastique

NOTE :

Il se peut que certains éléments de la liste soient compris dans l'emballage de l'outil en tant qu'accessoires standard. Ils peuvent varier d'un pays à l'autre.

ENG905-1

Bruit

Niveau de bruit pondéré A typique, déterminé selon EN60745 :

Niveau de pression sonore (L_{pA}) : 99 dB (A)

Niveau de puissance sonore (L_{WA}) : 110 dB (A)

Incertitude (K) : 3 dB (A)

Porter des protecteurs anti-bruit

Vibrations

Valeur totale de vibrations (somme de vecteur triaxial) déterminée selon EN60745 :

Mode de travail : Perçage avec chocs dans le béton

Émission de vibrations ($a_{h,1D}$) : 16,0 m/s²

Incertitude (K) : 1,5 m/s²

Mode de travail : Perçage dans le métal

Émission de vibrations ($a_{h,D}$) : 2,5 m/s²

Incertitude (K) : 1,5 m/s²

ENG901-1

- La valeur d'émission de vibrations déclarée a été mesurée conformément à la méthode de test standard et peut être utilisée pour comparer les outils entre eux.
- La valeur d'émission de vibrations déclarée peut aussi être utilisée pour l'évaluation préliminaire de l'exposition.

⚠ AVERTISSEMENT :

- L'émission de vibrations lors de l'usage réel de l'outil électrique peut être différente de la valeur d'émission déclarée, suivant la façon dont l'outil est utilisé.
- Les mesures de sécurité à prendre pour protéger l'utilisateur doivent être basées sur une estimation de l'exposition dans des conditions réelles d'utilisation (en tenant compte de toutes les composantes du cycle d'utilisation, comme par exemple le moment de sa mise hors tension, lorsqu'il tourne à vide et le moment de son déclenchement).

ENH101-15

Pour les pays d'Europe uniquement

Déclaration de conformité CE

Makita Corporation, en tant que fabricant responsable, déclare que la ou les machines suivantes :

Désignation de la machine :

Perceuse à percussion à 2 vitesses

N° de modèle / Type : HP2070, HP2070F, HP2071, HP2071F

sont produites en série et

sont conformes aux Directives européennes suivantes :

2006/42/CE

et qu'elles sont fabriquées conformément aux normes ou documents normalisés suivants :

EN60745

La documentation technique est conservée par notre représentant agréé en Europe, à savoir :

Makita International Europe Ltd.

Michigan Drive, Tongwell,

Milton Keynes, Bucks MK15 8JD, Angleterre

30.1.2009



Tomoyasu Kato

Directeur

Makita Corporation


3-11-8, Sumiyoshi-cho,

Anjo, Aichi, 446-8502, JAPAN

Übersicht

1 Arretierknopf	10 Betriebsart-Umschalthebel	19 Sechskantmutter
2 Ein-Aus-Schalter	11 Griffbasis	20 Gabelschlüssel 19
3 Drehzahl-Stellrad	12 Seitengriff (Zusatzgriff)	21 Tiefenanschlag
4 Höher	13 Zähne	22 Ausblaspipette
5 Niedriger	14 Vorsprünge	23 Betriebsanzeigelampe (grün)
6 Lampe	15 Bohrfutterschlüssel	24 Wartungsanzeigelampe (rot)
7 Drehrichtungumschalter	16 Werkzeugaufnahme	25 Ventilationsöffnungen
8 Pfeil	17 Ring	
9 Drehzahlumschaltknopf	18 Haltering	

TECHNISCHE DATEN

Modell		HP2070/HP2070F		HP2071/HP2071F	
Drehzahl		Hoch	Niedrig	Hoch	Niedrig
Bohrleistungen	Beton	20 mm	----	20 mm	----
	Stahl	8 mm	16 mm	8 mm	16 mm
	Holz	25 mm	40 mm	25 mm	40 mm
Leerlaufdrehzahl (min ⁻¹)		0 – 2 900	0 – 1 200	0 – 2 900	0 – 1 200
Schlagzahl/min.		0 – 58 000	0 – 24 000	0 – 58 000	0 – 24 000
Gesamtlänge		364 mm		362 mm	
Nettogewicht		2,6 kg		2,6 kg	
Sicherheitsklasse					

- Wir behalten uns vor, Änderungen im Zuge der Entwicklung und des technischen Fortschritts ohne vorherige Ankündigung vorzunehmen.
- Die technischen Daten können von Land zu Land abweichen.
- Gewicht nach EPTA-Verfahren 01/2003

ENE042-1

Vorgesehene Verwendung

Die Maschine ist für Schlagbohren und Bohren in Ziegel, Beton und Stein vorgesehen. Es eignet sich auch für normales Bohren in Holz, Metall, Keramik und Kunststoff.

ENF002-2

Stromversorgung

Die Maschine darf nur an die auf dem Typenschild angegebene Spannung angeschlossen werden und arbeitet nur mit Einphasen-Wechselspannung. Sie ist doppelt schutzisoliert und kann daher auch an Steckdosen ohne Erdanschluss betrieben werden.

GEA010-1

Allgemeine Sicherheitswarnungen für Elektrowerkzeuge

⚠️ WARNUNG Lesen Sie alle Sicherheitswarnungen und Anweisungen durch. Eine Missachtung der unten aufgeführten Warnungen und Anweisungen kann zu einem elektrischen Schlag, Brand und/oder schweren Verletzungen führen.

Bewahren Sie alle Warnungen und Anweisungen für spätere Bezugnahme auf.

GEB003-5

FÜR SCHLAGBOHRMASCHINE-SICHERHEITSWARNUNGEN

1. **Tragen Sie Gehörschützer beim Arbeiten mit Schlagbohrmaschinen.** Lärmeinwirkung kann zu Gehörverlust führen.
2. **Benutzen Sie (einen) Zusatzgriff(e), sofern er (sie) mit dem Werkzeug geliefert wurde(n).** Verlust der Kontrolle kann Verletzungen verursachen.
3. **Halten Sie Elektrowerkzeuge nur an den isolierten Griffflächen, wenn Sie Arbeiten ausführen, bei denen die Gefahr besteht, dass verborgene Kabel oder das eigene Kabel kontaktiert werden.** Bei Kontakt mit einem Strom führenden Kabel können die freiliegenden Metallteile des Elektrowerkzeugs ebenfalls Strom führend werden, so dass der Benutzer einen elektrischen Schlag erleiden kann.
4. **Achten Sie stets auf sicheren Stand.** Vergewissern Sie sich bei Einsatz der Maschine an hochgelegenen Arbeitsplätzen, dass sich keine Personen darunter aufhalten.
5. **Die Maschine sicher mit beiden Händen festhalten.**
6. **Halten Sie die Hände von rotierenden Teilen fern.**
7. **Lassen Sie die Maschine nicht unbeaufsichtigt laufen. Benutzen Sie die Maschine nur mit Handhaltung.**
8. **Vermeiden Sie eine Berührung des Bohreinsatzes oder des Werkstücks unmittelbar nach der Bearbeitung, weil sie dann noch sehr heiß sind und Hautverbrennungen verursachen können.**

9. Manche Materialien können giftige Chemikalien enthalten. Treffen Sie Vorsichtsmaßnahmen, um das Einatmen von Arbeitsstaub und Hautkontakt zu verhüten. Befolgen Sie die Sicherheitsdaten des Materialherstellers.

BEWAHREN SIE DIESE HINWEISE SORGFÄLTIG AUF.

⚠️ WARNUNG:

Lassen Sie sich NICHT durch Bequemlichkeit oder Vertrautheit mit dem Produkt (durch wiederholten Gebrauch erworben) von der strikten Einhaltung der Sicherheitsregeln für das vorliegende Produkt abhalten. MISSBRAUCH oder Missachtung der Sicherheitsvorschriften in dieser Anleitung können schwere Verletzungen verursachen.

FUNKTIONSBESCHREIBUNG

⚠️ VORSICHT:

- Vergewissern Sie sich vor jeder Einstellung oder Funktionsprüfung der Maschine stets, dass sie ausgeschaltet und vom Stromnetz getrennt ist.

Schalterfunktion (Abb. 1 u. 2)

⚠️ VORSICHT:

- Vergewissern Sie sich vor dem Anschließen der Maschine an das Stromnetz stets, dass der Ein-Aus-Schalter ordnungsgemäß funktioniert und beim Loslassen in die AUS-Stellung zurückkehrt.

Zum Einschalten der Maschine einfach den Ein-Aus-Schalter drücken. Die Drehzahl erhöht sich durch verstärkte Druckausübung auf den Ein-Aus-Schalter. Zum Ausschalten lassen Sie den Ein-Aus-Schalter los.

Für Dauerbetrieb betätigen Sie den Ein-Aus-Schalter und drücken dann den Arretierknopf hinein.

Zum Ausrasten des Arretierknopfes drücken Sie den Ein-Aus-Schalter bis zum Anschlag hinein und lassen ihn dann los.

Die Maschine ist mit einem Drehzahl-Stellrad zur Begrenzung der maximalen Maschinendrehzahl (variabel) ausgestattet. Drehen Sie das Drehzahl-Stellrad zum Erhöhen der Drehzahl nach rechts und zum Verringern der Drehzahl nach links.

Ein- und Ausschalten der Lampen (Abb. 3)

Für Modell HP2070F, HP2071F

⚠️ VORSICHT:

- Blicken Sie nicht direkt in die Lampe oder die Lichtquelle.

Betätigen Sie den Ein-Aus-Schalter zum Einschalten der Lampe. Lassen Sie den Ein-Aus-Schalter zum Ausschalten der Lampe los.

HINWEIS:

- Wischen Sie Schmutz auf der Lampenlinse mit einem trockenen Tuch ab. Achten Sie sorgfältig darauf, dass Sie die Lampenlinse nicht verkratzen, weil sich sonst die Lichtstärke verringert.
- Verwenden Sie auf keinen Fall Benzin oder Verdünnern zum Reinigen der Lampenlinse, weil sie sonst beschädigt wird.

Drehrichtungsumschalterbedienung (Abb. 4)

Diese Maschine besitzt einen Drehrichtungsumschalter. Stellen Sie den Drehrichtungs-Umschalthebel für Rechtsdrehung auf die Stellung \leftarrow (Seite A) oder für Linksdrehung auf die Stellung \rightarrow (Seite B).

⚠️ VORSICHT:

- Prüfen Sie stets die Drehrichtung, bevor Sie mit der Arbeit beginnen.
- Betätigen Sie den Drehrichtungsumschalter erst, nachdem die Maschine völlig zum Stillstand gekommen ist. Durch Umschalten der Drehrichtung bei noch laufender Maschine kann die Maschine beschädigt werden.
- Falls sich der Ein-Aus-Schalter nicht hineindrücken lässt, prüfen Sie, ob der Drehrichtungsumschalter vollständig auf der Stellung \leftarrow (Seite A) oder \rightarrow (Seite B) steht.

Drehzahl-Umschaltung (Abb. 5)

Zwei Drehzahlbereiche können mit dem Drehzahlumschaltknopf vorgewählt werden.

Drehen Sie den Drehzahlumschaltknopf so, dass der Pfeil auf dem Maschinengehäuse für niedrige Drehzahl auf die Position "I", und für hohe Drehzahl auf die Position "II" zeigt.

Falls sich der Knopf nur schwer drehen lässt, drehen Sie das Bohrfutter erst in beide Richtungen, bevor Sie den Knopf erneut drehen.

⚠️ VORSICHT:

- Betätigen Sie den Drehzahlumschaltknopf erst, nachdem die Maschine völlig zum Stillstand gekommen ist. Durch Umschalten der Drehzahl bei noch laufender Maschine kann die Maschine beschädigt werden.
- Rasten Sie den Drehzahlumschaltknopf stets korrekt in die jeweilige Position ein. Wird die Maschine bei einer Zwischenstellung des Drehzahlumschaltknopfes zwischen den Positionen "I" und "II" betrieben, kann sie beschädigt werden.

Wahl der Betriebsart (Abb. 6)

Diese Maschine besitzt einen Betriebsart-Umschalthebel. Schieben Sie den Betriebsart-Umschalthebel für Schlagbohren nach rechts (Symbol \uparrow). Schieben Sie den Betriebsart-Umschalthebel für Bohren nach links (Symbol \downarrow).

⚠️ VORSICHT:

- Schieben Sie den Betriebsart-Umschalthebel immer bis zum Anschlag auf die gewünschte Position. Wird die Maschine bei einer Zwischenstellung des Hebels zwischen den Betriebsartpositionen betrieben, kann sie beschädigt werden.

MONTAGE

⚠️ VORSICHT:

- Vergewissern Sie sich vor der Ausführung von Arbeiten an der Maschine stets, dass sie ausgeschaltet und vom Stromnetz getrennt ist.

Montieren des Seitengriffs (Zusatzgriffs) (Abb. 7)

Verwenden Sie stets den Seitengriff, um Betriebssicherheit zu gewährleisten. Montieren Sie den Seitengriff so, dass die Verzahnungen von Griff und Maschinengehäuse ineinander eingreifen.

Ziehen Sie dann den Griff fest, indem Sie ihn an der gewünschten Position im Uhrzeigersinn drehen. Der Griff kann um 360° geschwenkt und in jeder beliebigen Position gesichert werden.

Montage und Demontage des Bohrers

Für Modell HP2070, HP2070F (Abb. 8)

Führen Sie das Einsatzwerkzeug zum Montieren bis zum Anschlag in das Bohrfutter ein. Ziehen Sie das Bohrfutter von Hand an. Setzen Sie den Bohrfutterschlüssel in jedes der drei Löcher ein, und drehen Sie ihn im Uhrzeigersinn. Ziehen Sie das Bohrfutter in allen drei Löchern mit gleicher Kraft an.

Führen Sie den Bohrfutterschlüssel zum Demontieren des Einsatzwerkzeugs nur in ein Loch ein, und drehen Sie ihn entgegen dem Uhrzeigersinn, bevor Sie das Bohrfutter von Hand lösen.

Bringen Sie den Bohrfutterschlüssel nach Gebrauch wieder an seinem ursprünglichen Platz an.

Für Modell HP2071, HP2071F (Abb. 9)

Halten Sie den Klemmring fest, und drehen Sie die Werkzeugaufnahme entgegen dem Uhrzeigersinn, um die Bohrfutterbacken zu öffnen. Führen Sie das Einsatzwerkzeug bis zum Anschlag in das Spannfutter ein. Halten Sie den Klemmring fest, und drehen Sie die Werkzeugaufnahme im Uhrzeigersinn, um das Bohrfutter festzuziehen.

Zum Entfernen des Einsatzwerkzeugs halten Sie den Klemmring und drehen die Werkzeugaufnahme entgegen dem Uhrzeigersinn.

HINWEIS:

- Falls sich das schlüssellose Bohrfutter nicht lösen lässt, weil ein Bohrereinsatz zwischen den Futterbacken klemmt, lösen Sie das Bohrfutter wie folgt.

- Halten Sie die Werkzeugaufnahme des Bohrfutters mit einer Wasserpumpenzange oder dergleichen fest. (Hinweis: Nicht den Halteringteil einspannen.)
- Setzen Sie den Gabelschlüssel 19, einen verstellbaren Gabelschlüssel oder einen anderen passenden Schraubenschlüssel auf die Sechskantmutter an der Vorderseite des Bohrfutters. Drehen Sie den Schraubenschlüssel im Uhrzeigersinn, wie in **Abb. 10** gezeigt, um das Bohrfutter zu lösen.

Tiefenanschlag (Abb. 11)

Der Tiefenanschlag ist praktisch, um Löcher von gleicher Tiefe zu bohren. Lösen Sie den Seitengriff, und führen Sie den Tiefenanschlag in das Loch im Seitengriff ein. Stellen Sie den Tiefenanschlag auf die gewünschte Bohrtiefe ein, und ziehen Sie den Seitengriff an.

HINWEIS:


- Der Tiefenanschlag kann nicht in einer Position verwendet werden, in der er gegen das Maschinengehäuse stößt.

BETRIEB

Schlagbohren

⚠ VORSICHT:

- Beim Durchbruch der Bohrung, bei Verstopfung der Bohrung mit Spänen und Partikeln, oder beim Auftreffen auf Betonstahl wirkt eine starke, plötzliche Drehkraft auf Maschine und Bohrer. Montieren Sie stets den Seitengriff (Zusatzgriff), und halten Sie die Maschine während der Arbeit mit beiden Händen an Seitengriff und Schaltergriff fest. Eine Missachtung dieser Vorsichtsmaßnahme kann den Verlust der Kontrolle über die Maschine und mögliche schwere Verletzungen zur Folge haben.

Schieben Sie den Betriebsart-Umschalthebel zum Bohren in Beton, Granit, Fliesen usw. zur Position des Symbols , um die Betriebsart "Schlagbohren" zu verwenden.

Verwenden Sie unbedingt einen Bohrer mit Hartmetallspitze.

Setzen Sie den Bohrer auf die gewünschte Bohrstelle, und drücken Sie dann den Ein-Aus-Schalter. Üben Sie keinen übermäßigen Druck auf das Werkzeug aus. Leichter Druck liefert die besten Ergebnisse. Halten Sie die Maschine in Position, und vermeiden Sie Abrutschen vom Loch.

Üben Sie keinen stärkeren Druck aus, wenn das Bohrloch mit Spänen oder Bohrmehl zugesetzt wird. Lassen Sie statt dessen die Maschine leer laufen, und ziehen Sie dann den Bohrer teilweise aus dem Bohrloch heraus. Durch mehrmaliges Wiederholen dieses Vorgangs wird das Bohrloch ausgeräumt, so dass der normale Bohrbetrieb fortgesetzt werden kann.

Ausblaspipette (Sonderzubehör) (Abb. 12)

Blasen Sie den Staub nach dem Bohren des Lochs mit einer Ausblaspipette aus dem Loch.

Bohren

Schieben Sie den Betriebsart-Umschalthebel zum Bohren in Holz, Metall oder Kunststoff zur Position des Symbols , um die Betriebsart "Bohren" zu verwenden.

Bohren in Holz

Beim Bohren in Holz lassen sich die besten Ergebnisse mit Holzbohrern erzielen, die mit einer Zentrierspitze ausgestattet sind. Die Zentrierspitze erleichtert das Bohren, da sie den Bohrer in das Werkstück hineinzieht.

Bohren in Metall

Um Abrutschen des Bohrers beim Anbohren zu vermeiden, empfiehlt es sich, die Bohrstelle mit einem Zentrierkörnchen anzukörnen. Setzen Sie dann die Spitze des Bohrers in die Vertiefung, und beginnen Sie mit dem Bohren.

Verwenden Sie Schneidflüssigkeit beim Bohren von Metall. Eisen und Messing sollten jedoch trocken gebohrt werden.

⚠ VORSICHT:

- Übermäßige Druckausübung auf die Maschine bewirkt keine Beschleunigung der Bohrleistung. Im Gegenteil; übermäßiger Druck führt zu einer Beschädigung der Bohrspitze und damit zu einer Verringerung der Bohrerstandzeit sowie zu einer Verkürzung der Lebensdauer der Maschine.
- Beim Bohrungsdurchbruch wirkt ein hohes Rückdrehmoment auf Maschine und Bohrer. Halten Sie daher die Maschine mit festem Griff und lassen Sie Vorsicht walten, wenn der Bohrer im Begriff ist, aus dem Werkstück auszutreten.
- Ein festsitzender Bohrer lässt sich durch einfaches Umschalten der Drehrichtung wieder herausdrehen. Dabei sollten Sie aber die Maschine gut festhalten, damit sie nicht ruckartig herausgestoßen wird.
- Spannen Sie kleine Werkstücke stets in einen Schraubstock oder eine ähnliche Aufspanvorrichtung ein.

WARTUNG

⚠ VORSICHT:

- Denken Sie vor der Durchführung von Überprüfungen oder Wartungsarbeiten stets daran, die Maschine auszuschalten und vom Stromnetz zu trennen.
- Verwenden Sie auf keinen Fall Benzin, Benzol, Verdünnern, Alkohol oder dergleichen. Solche Mittel können Verfärbung, Verformung oder Rissbildung verursachen.

Anzeigelampe (Abb. 13)

Die grüne Betriebslampe leuchtet auf, wenn die Maschine eingeschaltet wird. Falls die Maschine trotz leuchtender Lampe nicht anläuft, sind möglicherweise die Kohlebürsten abgenutzt, oder die elektrische Schaltung des Motors ist defekt. Falls die Anzeigelampe nicht aufleuchtet und die Maschine nicht anläuft, ist möglicherweise der Ein-Aus-Schalter oder das Netzkabel defekt. Die rote Wartungsanzeigelampe leuchtet bei übermäßiger Belastung der Maschine auf. Fortgesetzter Betrieb unter solchen Bedingungen führt zu einem Ausfall oder einer Beschädigung der Maschine. Lassen Sie in diesem Fall die Maschine zum Abkühlen im Leerlauf laufen.

Reinigen der Ventilationsöffnungen (Abb. 14 u. 15)

Halten Sie die Maschine und ihre Ventilationsöffnungen stets sauber. Reinigen Sie die Ventilationsöffnungen der Maschine regelmäßig oder im Anfangsstadium einer Verstopfung.

Um die SICHERHEIT und ZUVERLÄSSIGKEIT dieses Produkts aufrechtzuerhalten, sollten Reparaturen, Überprüfung und Austausch der Kohlebürsten und andere Wartungs- oder Einstellarbeiten nur von Makita-Kundendienstzentren unter ausschließlicher Verwendung von Makita-Originalersatzteilen ausgeführt werden.

SONDERZUBEHÖR

⚠ VORSICHT:

- Die folgenden Zubehörteile oder Vorrichtungen werden für den Einsatz mit der in dieser Anleitung beschriebenen Makita-Maschine empfohlen. Die Verwendung anderer Zubehörteile oder Vorrichtungen kann eine Verletzungsgefahr darstellen. Verwenden Sie Zubehörteile oder Vorrichtungen nur für ihren vorgesehenen Zweck.

Wenn Sie weitere Einzelheiten bezüglich dieser Zubehörteile benötigen, wenden Sie sich bitte an Ihre Makita-Kundendienststelle.

- Bohrer mit Hartmetallspitze
- Lochsägen
- Ausblaspipette
- Schutzbrille
- Schlüsselloses Bohrfutter 13
- Bohrfutterschlüssel
- Zusatzhandgriff
- Tiefenanschlag
- Plastikkoffer

HINWEIS:

- Manche Teile in der Liste können als Standardzubehör im Werkzeugsatz enthalten sein. Sie können von Land zu Land unterschiedlich sein.

Geräusch

Typischer A-bewerteter Geräuschpegel ermittelt gemäß EN60745:

Schalldruckpegel (L_{pA}): 99 dB (A)

Schalleistungspegel (L_{WA}): 110 dB (A)

Ungewissheit (K): 3 dB (A)

Gehörschutz tragen

ENG900-1

Vibration

Vibrationsgesamtwert (Drei-Achsen-Vektorsumme) ermittelt gemäß EN60745:

Arbeitsmodus: Schlagbohren in Beton

Vibrationsemission ($a_{h, ID}$): 16,0 m/s²

Ungewissheit (K): 1,5 m/s²

Arbeitsmodus: Bohren in Metall

Vibrationsemission ($a_{h, D}$): 2,5 m/s²

Ungewissheit (K): 1,5 m/s²

ENG901-1

- Der angegebene Vibrationsemissionswert wurde im Einklang mit der Standardprüfmethode gemessen und kann für den Vergleich zwischen Maschinen herangezogen werden.
- Der angegebene Vibrationsemissionswert kann auch für eine Vorbewertung des Gefährdungsgrads verwendet werden.

⚠ WARNUNG:

- Die Vibrationsemission während der tatsächlichen Benutzung des Elektrowerkzeugs kann je nach der Benutzungsweise der Maschine vom angegebenen Emissionswert abweichen.
- Identifizieren Sie Sicherheitsmaßnahmen zum Schutz des Benutzers anhand einer Schätzung des Gefährdungsgrads unter den tatsächlichen Benutzungsbedingungen (unter Berücksichtigung aller Phasen des Arbeitszyklus, wie z. B. Ausschalt- und Leerlaufzeiten der Maschine zusätzlich zur Betriebszeit).

ENH101-15

Nur für europäische Länder

EG-Übereinstimmungserklärung

Wir, die Firma Makita als verantwortlicher Hersteller, erklären, dass die folgende(n) Makita-Maschine(n):
 Bezeichnung der Maschine:
 2-Gang-Schlagbohrmaschine
 Modell-Nr./ Typ: HP2070, HP2070F, HP2071, HP2071F
 der Serienproduktion entstammen und
den folgenden europäischen Richtlinien entsprechen:

2006/42/EG

und gemäß den folgenden Standards oder standardisierten Dokumenten hergestellt werden:

EN60745

Die technische Dokumentation befindet sich im Bestand unserer autorisierten Vertretung in Europa, nämlich:

Makita International Europe Ltd.

Michigan Drive, Tongwell,

Milton Keynes, Bucks MK15 8JD, England

30.1.2009




Tomoyasu Kato
 Direktor

Makita Corporation
 3-11-8, Sumiyoshi-cho,
 Anjo, Aichi, 446-8502, JAPAN

Visione generale

- | | | |
|----------------------------------|---|-------------------------------|
| 1 Bottone di blocco | 10 Leva di cambio modalità di funzionamento | 17 Anello |
| 2 Interruttore | 11 Base impugnatura | 18 Anello di fissaggio |
| 3 Ghiera di regolazione velocità | 12 Impugnatura laterale (manico ausiliario) | 19 Dado esagonale |
| 4 Più alta | 13 Dente | 20 Chiave 19 |
| 5 Più bassa | 14 Sporgenze | 21 Spessimetro |
| 6 Lampadina | 15 Chiave portapunta | 22 Soffietto |
| 7 Interruttore di inversione | 16 Manicotto | 23 Spia di accensione (verde) |
| 8 Freccia | | 24 Spia di servizio (rossa) |
| 9 Ghiera di cambio velocità | | 25 Fori di ventilazione |

DATI TECNICI

Modello		HP2070/HP2070F		HP2071/HP2071F	
Velocità		Alta	Bassa	Alta	Bassa
Capacità	Cemento	20 mm	----	20 mm	----
	Acciaio	8 mm	16 mm	8 mm	16 mm
	Legno	25 mm	40 mm	25 mm	40 mm
Velocità a vuoto (min ⁻¹)		0 – 2.900	0 – 1.200	0 – 2.900	0 – 1.200
Colpi al minuto		0 – 58.000	0 – 24.000	0 – 58.000	0 – 24.000
Lunghezza totale		364 mm		362 mm	
Peso netto		2,6 kg		2,6 kg	
Classe di sicurezza		 II			

- Per il nostro programma di ricerca e sviluppo continui, i dati tecnici sono soggetti a modifiche senza preavviso.
- I dati tecnici potrebbero differire a seconda del paese di destinazione del modello.
- Peso in base alla procedura EPTA 01/2003

ENE042-1

Utilizzo previsto

L'utensile va usato per la foratura con martellamento e per la foratura dei mattoni, cemento e pietre. Esso è anche utilizzabile per la foratura senza impatto del legno, metallo, ceramica e plastica.

ENF002-2

Alimentazione

L'utensile deve essere collegato ad una presa di corrente con la stessa tensione indicata sulla targhetta del nome, e può funzionare soltanto con la corrente alternata monofase. Esso ha un doppio isolamento per cui può essere usato con le prese di corrente sprovviste della messa a terra.

GEA010-1

Avvertimenti generali per la sicurezza dell'utensile elettrico

⚠ AVVERTIMENTO Leggere tutti gli avvertimenti per la sicurezza e le istruzioni. La mancata osservanza degli avvertimenti e delle istruzioni può causare scosse elettriche, incendio e/o gravi incidenti.

Conservare tutti gli avvertimenti e le istruzioni per riferimenti futuri.

GEB003-5

AVVERTIMENTI PER LA SICUREZZA TRAPANO A PERCUSSIONE

1. **Usando il trapano a percussione, indossare le protezioni per gli orecchi.** L'esposizione al rumore può causare la perdita dell'udito.
2. **Usare il manico ausiliario, se è in dotazione all'utensile.** La perdita di controllo può causare lesioni personali.
3. **Tenere gli utensili elettrici per le superfici di presa isolate quando si eseguono operazioni in cui l'utensile da taglio potrebbe fare contatto con fili elettrici nascosti o con il suo stesso cavo di alimentazione.** Se l'utensile da taglio entra in contatto con un filo elettrico "sotto tensione" mette "sotto tensione" le parti metalliche esposte dell'utensile, dando una scossa all'operatore.
4. **Accertarsi sempre di avere i piedi appoggiati saldamente.** **Accertarsi che non ci sia nessuno sotto quando si usa l'utensile in un posto alto.**
5. **Tenere saldamente l'utensile con entrambe le mani.**
6. **Tenere le mani lontane dalle parti rotanti.**
7. **Non far funzionare l'utensile senza usarlo.** Farlo funzionare soltanto tenendolo in mano.
8. **Non toccare la punta o il pezzo lavorato subito dopo l'uso, perché potrebbero essere molto calde e causare bruciature.**

9. Alcuni materiali contengono sostanze chimiche che potrebbero essere tossiche. Fare attenzione per evitare l'inalazione o il contatto con la pelle. Osservare le precauzioni del produttore del materiale.

CONSERVARE QUESTE ISTRUZIONI.

⚠ AVVERTIMENTO:

NON lasciare che comodità o la familiarità d'utilizzo con il prodotto (acquisita con l'uso ripetuto) sostituisca la stretta osservanza delle norme di sicurezza. L'utilizzo SBAGLIATO o la mancata osservanza delle norme di sicurezza di questo manuale di istruzioni potrebbero causare lesioni serie.

DESCRIZIONE DEL FUNZIONAMENTO

⚠ ATTENZIONE:

- Accertarsi sempre che l'utensile sia spento e staccato dalla presa di corrente prima di regolare o di controllare il suo funzionamento.

Funzionamento dell'interruttore (Fig. 1 e 2)

⚠ ATTENZIONE:

- Prima di collegare l'utensile alla presa di corrente, controllare sempre che l'interruttore funzioni correttamente e che torni sulla posizione "OFF" quando viene rilasciato.

Per avviare l'utensile, schiacciare semplicemente l'interruttore. La velocità dell'utensile si aumenta aumentando la pressione sull'interruttore. Rilasciare l'interruttore per fermare l'utensile.

Per il funzionamento continuo, schiacciare l'interruttore e spingere poi dentro il bottone di blocco.

Per fermare l'utensile dalla posizione di blocco, schiacciare completamente l'interruttore e rilasciarlo.

L'utensile è dotato di una ghiera di regolazione della velocità, che permette di limitare (variare) la velocità massima dell'utensile. Girare la ghiera di regolazione velocità in senso orario per la velocità più alta, e in senso antiorario per la velocità più bassa.

Accensione delle lampadine (Fig. 3)

Modelli HP2070F, HP2071F

⚠ ATTENZIONE:

- Non guardare direttamente la luce o la fonte della luce.

Per accendere la lampadina, schiacciare l'interruttore. Rilasciare l'interruttore per spegnerla.

NOTA:

- Usare un panno asciutto per togliere lo sporco dalla lente della lampadina. Fare attenzione a non graffiare la lente, perché si potrebbe causare la riduzione dell'illuminazione.
- Per pulire la lente della lampadina non si devono mai usare benzina o solventi, perché potrebbero danneggiarla.

Funzionamento dell'interruttore di inversione (Fig. 4)

Questo utensile è dotato di un interruttore di inversione, per il cambiamento della direzione di rotazione. Spostare la leva dell'interruttore di inversione sulla posizione \leftarrow (lato A) per la rotazione in senso orario, oppure sulla posizione \rightarrow (lato B) per la rotazione in senso antiorario.

⚠ ATTENZIONE:

- Controllare sempre la direzione di rotazione prima di avviare l'utensile.
- Usare l'interruttore di inversione soltanto dopo che l'utensile si è fermato completamente. Se si cambia la direzione di rotazione prima che l'utensile si sia fermato, lo si potrebbe danneggiare.
- Se non è possibile schiacciare l'interruttore, controllare se l'interruttore di inversione è posizionato completamente su \leftarrow (lato A) o su \rightarrow (lato B).

Cambiamento di velocità (Fig. 5)

Con la ghiera di cambio velocità si possono selezionare due gamme di velocità.

Per cambiare la velocità, girare la ghiera di cambio velocità in modo che la freccia sul corpo dell'utensile sia puntata sulla posizione "I" della ghiera per la velocità bassa, o sulla posizione "II" per la velocità alta.

Se la ghiera è dura da girare, girare prima leggermente il portapunta in una delle due direzioni, e girare poi di nuovo la ghiera.

⚠ ATTENZIONE:

- Usare la ghiera di cambio velocità soltanto dopo che l'utensile si è fermato completamente. Se si cambia la velocità dell'utensile prima che si sia fermato, lo si potrebbe danneggiare.
- Regolare sempre la ghiera di cambio velocità sulla posizione corretta. Se si fa funzionare l'utensile con la ghiera di cambio velocità su un punto intermedio tra le posizioni "I" e "II", lo si potrebbe danneggiare.

Selezione della modalità di funzionamento (Fig. 6)

Questo utensile è dotato di una leva di cambio della modalità di funzionamento. Per la rotazione con percussione, spingere la leva di cambio modalità di funzionamento a destra (simbolo \uparrow). Per la rotazione soltanto, spingere la leva di cambio modalità di funzionamento a sinistra (simbolo \downarrow).

⚠ ATTENZIONE:

- Regolare sempre la ghiera di cambio modalità di funzionamento completamente sulla posizione della modalità desiderata. Se si fa funzionare l'utensile con la leva posizionata su un punto intermedio tra i simboli di modalità, lo si potrebbe danneggiare.

MONTAGGIO

⚠ ATTENZIONE:

- Accertarsi sempre che l'utensile sia spento e staccato dalla presa di corrente prima di un qualsiasi intervento su di esso.

Installazione dell'impugnatura laterale (manico ausiliario) (Fig. 7)

Usare sempre l'impugnatura laterale per garantire la sicurezza del lavoro. Installare l'impugnatura laterale in modo che il dente dell'impugnatura entri tra le sporgenze sul cilindro dell'utensile.

Stringere poi l'impugnatura girandola in senso orario sulla posizione desiderata. Essa può essere girata di 360° per essere fissata in qualsiasi posizione.

Installazione o rimozione della punta trapano

Modelli HP2070, HP2070F (Fig. 8)

Per installare la punta, inserirla nel portapunta finché non può andare più oltre. Stringere il portapunta a mano. Inserire la chiave del portapunta in ciascuno dei tre fori e stringere in senso orario. Stringere tutti e tre i fori uniformemente.

Per rimuovere la punta, girare la chiave del portapunta in senso antiorario in un solo foro, e allentare poi il portapunta a mano.

Dopo aver usato la chiave del portapunta, rimetterla sulla sua posizione originale.

Modelli HP2071, HP2071F (Fig. 9)

Tenere fermo l'anello e girare il manicotto in senso antiorario per aprire le ganasce del portapunta. Inserire la punta nel portapunta finché non può andare più oltre. Tenere saldamente l'anello e girare il manicotto in senso orario per stringere il portapunta.

Per rimuovere la punta, tenere fermo l'anello e girare il manicotto in senso antiorario.

NOTA:

- Se il portapunta trapano senza chiave non può essere allentato perché la punta è incastrata nelle ganasce del portapunta, allentare il portapunta come segue.

- Tenere saldamente il manicotto del portapunta trapano con pinze pompa acqua od altro attrezzo simile. (Nota: Non tenere la parte dell'anello di fissaggio.)
- Posizionare la chiave 19, chiave regolabile od altra chiave appropriata, sul dado esagonale sulla parte anteriore del portapunta trapano. Girare la chiave in senso orario, come mostrato nella **Fig. 10**, per allentare il portapunta.

Spessimetro (Fig. 11)

Lo spessimetro è comodo per la foratura a profondità uniformi. Allentare l'impugnatura laterale e inserire lo spessimetro nel foro sulla base dell'impugnatura laterale. Regolare lo spessimetro alla profondità desiderata e stringere l'impugnatura laterale.

NOTA:

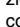
- Lo spessimetro non può essere usato sulla posizione in cui urta contro il corpo dell'utensile.

FUNZIONAMENTO

Operazione di foratura con percussione

⚠ ATTENZIONE:

- Sull'utensile/punta viene esercitata una grandissima e improvvisa forza torcente quando la punta fuoriesce dal foro, quando il foro diventa intasato di trucioli o di scorie o quando la punta incontra le barre di rinforzo dentro il cemento. Usare sempre l'impugnatura laterale (accessorio opzionale) e mantenere fermo l'utensile con entrambi l'impugnatura laterale e il manico dell'interruttore durante il lavoro. In caso contrario, si potrebbe perdere il controllo dell'utensile con pericolo di lesioni gravi.

Per forare il cemento, granito, mattonelle, ecc., spingere la leva di cambio modalità di funzionamento sulla posizione del simbolo  per usare la modalità di "rotazione con percussione".

Usare una punta al carburo di tungsteno.

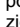
Posizionare la punta sul punto da forare desiderato e schiacciare poi l'interruttore. Non forzare l'utensile. Una pressione leggera produce i risultati migliori. Mantenere l'utensile in posizione per evitare che scivoli via dal foro.

Non applicare una pressione maggiore se la punta rimane intasata con trucioli o scorie. Fare invece girare l'utensile a vuoto e rimuovere poi parzialmente la punta dal foro. Ripetendo questa operazione diverse volte si pulisce il foro e si può continuare con la normale foratura.

Soffietto (accessorio opzionale) (Fig. 12)

Dopo la foratura, usare il soffietto per togliere la polvere dal foro.

Operazione di foratura

Per forare il legno, metallo o materiali di plastica, spingere la leva di cambio modalità di funzionamento sulla posizione del simbolo  per usare la modalità di "rotazione soltanto".

Foratura del legno

Per la foratura del legno si ottengono i risultati migliori con le punte dotate della vite guida. La vite guida facilita la foratura attirando la punta nel pezzo.

Foratura del metallo

Per evitare che la punta scivoli quando si comincia il foro, praticare una tacca con un punzone e un martello sul punto da forare. Mettere la punta sulla tacca e cominciare a forare.

Usare un lubrificante da taglio per la foratura dei metalli. Le eccezioni sono il ferro e l'ottone, che vanno forati a secco.

⚠ ATTENZIONE:

- Una pressione eccessiva sull'utensile non accelera la foratura. Al contrario, tale pressione eccessiva serve soltanto a danneggiare la punta, a ridurre le prestazioni dell'utensile e ad accorciarne la vita di servizio.
- Sull'utensile/punta viene esercitata una grandissima forza quando fuoriesce dal foro. Tenere saldamente l'utensile e fare attenzione quando la punta comincia a fuoriuscire dal pezzo.
- La punta incastrata può essere rimossa posizionando semplicemente l'interruttore di inversione sulla posizione di rotazione inversa per liberare l'utensile. Si deve però tenere saldamente l'utensile per evitare che si liberi improvvisamente.
- Fissare sempre i piccoli pezzi con una morsa od altro dispositivo simile.

MANUTENZIONE

⚠ ATTENZIONE:

- Accertarsi sempre che l'utensile sia spento e staccato dalla presa di corrente prima di eseguire l'ispezione o la manutenzione.
- Mai usare benzina, benzene, solventi, alcol e altre sostanze simili. Potrebbero causare scolorimenti, deformazioni o crepe.

Spia (Fig. 13)

La spia di accensione verde si accende quando si accende l'utensile. Se la spia è accesa ma l'utensile non si avvia, la causa potrebbe essere dovuta all'usura delle spazzole di carbone, oppure il circuito elettrico o il motore potrebbero essere difettosi. Se la spia non si accende e l'utensile non si avvia, potrebbe essere difettoso l'interruttore di accensione/spengimento o il cavo di alimentazione.

La spia di servizio rossa si accende quando l'utensile è sovraccarico. Se si continua a usare l'utensile in tale condizione, si potrebbe causarne un guasto o la rottura.

A questo punto, raffreddare l'utensile facendolo girare a vuoto.

Pulizia dei fori di ventilazione (Fig. 14 e 15)

L'utensile e i suoi fori di ventilazione devono essere mantenuti puliti. Pulire regolarmente i fori di ventilazione dell'utensile, oppure quando diventano intasati.

Per la SICUREZZA, L'AFFIDABILITÀ e le riparazioni del prodotto, l'ispezione o la riparazione delle spazzole di carbone deve essere eseguita da un Centro Assistenza Makita autorizzato con ricambi Makita originali.

ACCESSORI OPZIONALI

⚠ ATTENZIONE:

- Per l'utensile specificato in questo manuale, si consigliano questi accessori o ricambi. L'utilizzo di altri accessori o ricambi può costituire un pericolo. Usare soltanto gli accessori o ricambi specificati per il loro utilizzo.

Per maggiori dettagli e l'assistenza, rivolgersi al Centro Assistenza Makita locale.

- Punta al carburo di tungsteno
- Seghetti per fori
- Soffietto
- Occhiali di protezione
- Mandrino trapano senza chiave 13
- Chiave portapunta
- Gruppo impugnatura
- Spessimetro
- Valigetta di plastica

NOTA:

- Alcuni articoli nella lista potrebbero essere inclusi nell'imballo dell'utensile come accessori standard. Essi potrebbero differire da Paese a Paese.

ENG905-1

Rumore

Il tipico livello di rumore pesato A determinato secondo EN60745:

Livello pressione sonora (L_{pA}): 99 dB (A)
 Livello potenza sonora (L_{WA}): 110 dB (A)
 Incertezza (K): 3 dB (A)

Indossare i paraorecchi

ENG900-1

Vibrazione

Il valore totale di vibrazione (somma vettore triassiale) determinato secondo EN60745:

Modalità operativa: Foratura a impulsi del cemento
 Emissione di vibrazione ($a_{h,D}$): 16,0 m/s²
 Incertezza (K): 1,5 m/s²

Modalità operativa: Foratura del metallo
 Emissione di vibrazione ($a_{h,D}$): 2,5 m/s²
 Incertezza (K): 1,5 m/s²

- Il valore di emissione delle vibrazioni dichiarato è stato misurato conformemente al metodo di test standard, e può essere usato per paragonare un utensile con un altro.
- Il valore di emissione delle vibrazioni dichiarato può anche essere usato per una valutazione preliminare dell'esposizione.

⚠ AVVERTIMENTO:

- L'emissione delle vibrazioni durante l'uso reale dell'utensile elettrico può differire dal valore di emissione dichiarato a seconda dei modi in cui viene usato l'utensile.
- Identificare le misure di sicurezza per la protezione dell'operatore basate sulla stima dell'esposizione nelle condizioni reali d'utilizzo (tenendo presente tutte le parti del ciclo operativo, come le volte in cui l'utensile viene spento e quando gira a vuoto, oltre al tempo di funzionamento).

ENH101-15

Modello per l'Europa soltanto

Dichiarazione CE di conformità

Noi della Makita Corporation, come produttori responsabili, dichiariamo che le macchine Makita seguenti:

Designazione della macchina:

Trapano a percussione a 2 velocità

Modello No./Tipo: HP2070, HP2070F, HP2071, HP2071F sono una produzione di serie e

conformi alle direttive europee seguenti:

2006/42/CE

E sono fabbricate conformemente ai seguenti standard o documenti standardizzati:

EN60745

La documentazione tecnica è tenuta dal nostro rappresentante autorizzato in Europa, che è:

Makita International Europe Ltd.

Michigan Drive, Tongwell,

Milton Keynes, Bucks MK15 8JD, England

30.1.2009



Tomoyasu Kato

Amministratore


Makita Corporation

3-11-8, Sumiyoshi-cho,
Anjo, Aichi, 446-8502, JAPAN

Verklaring van algemene gegevens

1 Vastzetknop	10 Werking-keuzeknop	19 Zeskante moer
2 Trekschakelaar	11 Handgreepvoet	20 Sleutel 19
3 Snelheidsregelknop	12 Zijhandgreep (hulphandgreep)	21 Dieptemaat
4 Hoger	13 Tandem	22 Blaasbalgje
5 Lager	14 Uitsteeksels	23 Spanning-AAN indicatielampje (groen)
6 Lamp	15 Boorkopsleutel	24 Overbelasting-indicatielampje (rood)
7 Omkeerschakelaar	16 Bus	25 Ventilatiegaten
8 Pijltje	17 Ring	
9 Toerental-instelknop	18 Borgring	

TECHNISCHE GEGEVENS

Model		HP2070/HP2070F		HP2071/HP2071F	
Snelheid		Hoog	Laag	Hoog	Laag
Capaciteiten	Beton	20 mm	----	20 mm	----
	Staal	8 mm	16 mm	8 mm	16 mm
	Hout	25 mm	40 mm	25 mm	40 mm
Nullasttoerental (min ⁻¹)		0 – 2 900	0 – 1 200	0 – 2 900	0 – 1 200
Aantal slagen/minuut		0 – 58 000	0 – 24 000	0 – 58 000	0 – 24 000
Totale lengte		364 mm		362 mm	
Netto gewicht		2,6 kg		2,6 kg	
Veiligheidsklasse					

GEB003-5

- In verband met ononderbroken research en ontwikkeling behouden wij ons het recht voor bovenstaande technische gegevens te wijzigen zonder voorafgaande kennisgeving.
- De technische gegevens kunnen van land tot land verschillen.
- Gewicht volgens de EPTA-procedure 01/2003

ENE042-1

Doeleinden van gebruik

Het gereedschap is bedoeld voor hamerboren en boren in baksteen, beton en steen.

Het is ook geschikt voor boren zonder slag in hout, metaal, keramisch materiaal en kunststof.

ENF002-2

Stroomvoorziening

Het gereedschap mag alleen worden aangesloten op een stroombron van hetzelfde voltage als aangegeven op de naamplaat, en kan alleen op enkel-fase wisselstroom worden gebruikt. Het gereedschap is dubbel-geïsoleerd en kan derhalve ook op een niet-geaard stopcontact worden aangesloten.

GEA010-1

Algemene veiligheidswaarschuwingen voor elektrisch gereedschap

⚠ WAARSCHUWING! Lees alle veiligheidswaarschuwingen en alle instructies. Het niet volgen van de waarschuwingen en instructies kan leiden tot elektrische schokken, brand en/of ernstig letsel.

Bewaar alle waarschuwingen en instructies om in de toekomst te kunnen raadplegen.

VEILIGHEIDSWAARSCHUWINGEN VOOR HAMERBOOR

- 1. Draag oorbeschermers tijdens het slagboren.** Blootstelling aan het lawaai kan gehoorverlies veroorzaken.
- 2. Gebruik de hulphandgreep/hulphandgrepen, als deze bij het gereedschap werden geleverd.** Verlies van controle over het gereedschap kan persoonlijke verwonding tot gevolg hebben.
- 3. Houd elektrisch gereedschap vast aan het geïsoleerde oppervlak van de handgrepen wanneer u werkt op plaatsen waar het slijpaccessoire met verborgen bedrading of zijn eigen snoer in aanraking kan komen.** Wanneer het booraccessoire in aanraking komen met onder spanning staande draden, zullen de niet-geïsoleerde metalen delen van het gereedschap onder spanning komen te staan zodat de gebruiker een elektrische schok kan krijgen.
- 4. Zorg ervoor dat u altijd stevige steun voor de voeten hebt.** Controleer of er zich niemand beneden u bevindt wanneer u het gereedschap op een hoge plaats gaat gebruiken.
- 5. Houd het gereedschap stevig vast met beide handen.**
- 6. Houd uw handen uit de buurt van draaiende onderdelen.**
- 7. Laat het gereedschap niet achter terwijl het nog in bedrijf is.** Bedien het gereedschap alleen wanneer u het met beide handen vasthoudt.
- 8. Raak de boor of het werkstuk niet aan onmiddellijk na het gebruik.** Deze kunnen erg heet zijn en brandwonden veroorzaken.

9. Sommige materialen bevatten chemische stoffen die giftig kunnen zijn. Vermijd inademing van stof en contact met de huid. Volg de veiligheidsinstructies van de leverancier van het materiaal.

BEWAAR DEZE VOORSCHRIFTEN.

⚠ WAARSCHUWING:

Laat u NIET misleiden door een vals gevoel van comfort en bekendheid met het gereedschap (na veelvuldig gebruik) en neem alle veiligheidsvoorschriften van het betreffende gereedschap altijd strikt in acht. VERKEERD GEBRUIK of het niet naleven van de veiligheidsvoorschriften in deze gebruiksaanwijzing kan leiden tot ernstige verwondingen.

BESCHRIJVING VAN DE FUNCTIES

⚠ LET OP:

- Zorg altijd dat het gereedschap is uitgeschakeld en de stekker uit het stopcontact is verwijderd alvorens de functies op het gereedschap af te stellen of te controleren.

Werkning van de trekschakelaar (Fig. 1 en 2)

⚠ LET OP:

- Voordat u de stekker van het gereedschap op een stopcontact aansluit, moet u altijd controleren of de trekschakelaar juist werkt en bij het loslaten naar de "OFF" positie terugkeert.

Om het gereedschap te starten, drukt u de trekschakelaar gewoon in. Hoe harder u de trekschakelaar indrukt, hoe sneller het gereedschap draait. Laat de trekschakelaar los om het gereedschap te stoppen.

Voor doorlopend gebruik drukt u eerst de trekschakelaar en vervolgens de vastzetknop in.

Om het gereedschap vanuit deze vergrendelde stand te stoppen, moet u de trekschakelaar volledig indrukken en hem dan loslaten.

Een snelheidsregelknop is voorzien om de maximale snelheid van het gereedschap te beperken (variabel). Draai de snelheidsregelknop naar rechts voor hogere snelheid, of naar links voor lagere snelheid.

De lamp aanzetten (Fig. 3)

Voor Model HP2070F, HP2071F

⚠ LET OP:

- Kijk niet direct in het licht van de lamp.

Druk de trekschakelaar in om de lamp aan te zetten. Laat de trekschakelaar los om de lamp uit te doen.

OPMERKING:

- Gebruik een droge doek om vuil op de lens van de lamp eraf te vegen. Pas op dat u de lens van de lamp niet kraast, omdat de verlichtingssterkte daardoor zal verminderen.
- Gebruik nooit benzine of verdunner om de lens van de lamp te reinigen, aangezien de lens daardoor beschadigd zal worden.

Werkning van de omkeerschakelaar (Fig. 4)

Dit gereedschap heeft een omkeerschakelaar voor het veranderen van de draairichting. Schuif de omkeerschakelaar naar de positie \leftarrow (zijde A) voor rechtse draairichting, of naar de positie \rightarrow (zijde B) voor linkse draairichting.

⚠ LET OP:

- Controleer altijd de draairichting alvorens het gereedschap te gebruiken.
- Gebruik de omkeerschakelaar alleen nadat het gereedschap volledig tot stilstand is gekomen. Als u de draairichting verandert terwijl de boor nog draait, kan het gereedschap beschadigd raken.
- Als de trekschakelaar niet kan worden ingedrukt, moet u controleren of de omkeerschakelaar volledig in de \leftarrow positie (zijde A) of \rightarrow positie (zijde B) is gezet.

Kiezen van het toerental (Fig. 5)

Met de toerental-instelknop kunnen twee toerentalbereiken vooraf worden gekozen.

Draai de instelknop zodanig dat het pijltje op de knop tegenover " I " op het lichaam van het gereedschap komt te staan voor laag toerental, of tegenover " II " voor hoog toerental.

Als de knop moeilijk draait, moet u de boorkop even in beide richtingen draaien en daarna de knop opnieuw draaien.

⚠ LET OP:

- Gebruik de toerental-instelknop alleen nadat het gereedschap volledig tot stilstand is gekomen. Als u het toerental verandert terwijl de boor nog draait, kan het gereedschap beschadigd raken.
- Zet de toerental-instelknop altijd nauwkeurig in de juiste positie. Als u het gereedschap gebruikt met de toerental-instelknop halverwege tussen de posities " I " en " II " geplaatst, kan het gereedschap beschadigd raken.

Kiezen van de gewenste werking (Fig. 6)

Dit gereedschap heeft een werking-keuzeknop. Voor roteren (boren) plus hameren schuift u de werking-keuzeknop naar rechts (\uparrow symbool). Voor alleen roteren (boren), schuift u hem naar links (\downarrow symbool).

⚠ LET OP:

- Schuif de keuzeknop altijd volledig naar de gewenste positie. Als u het gereedschap gebruikt met de keuzeknop halverwege tussen de twee symbolen geplaatst, kan het gereedschap beschadigd raken.

INEENZETTEN

⚠ LET OP:

- Controleer altijd of het gereedschap is uitgeschakeld en de stekker uit het stopcontact is verwijderd voordat u enig werk aan het gereedschap uitvoert.

Installeren van de zijhandgreep (hulphandgreep) (Fig. 7)

Gebruik altijd de zijhandgreep om een veilig gebruik te verzekeren. Installeer de zijhandgreep zodanig dat de tanden op de handgreep tussen de uitsteeksels op de schacht van het gereedschap komen te zitten.

Zet vervolgens de handgreep vast door deze rechtsonaar de gewenste positie te draaien. De handgreep kan 360° worden gedraaid zodat u deze in elke gewenste positie kunt vastzetten.

Installeren of verwijderen van de boor

Voor Model HP2070, HP2070F (Fig. 8)

Om de boor te installeren, steekt u deze zo ver mogelijk in de boorkop. Draai de boorkop met de hand vast. Steek vervolgens de boorkopsleutel in elk van de drie gaten en draai naar rechts vast. Zorg ervoor dat u de drie boorkopgaten gelijkmatig aandraait.

Om de boor te verwijderen, draait u de boorkopsleutel in één van de gaten naar links, en daarna draait u de boorkop verder los met de hand.

Berg de boorkopsleutel na het gebruik weer op zijn oorspronkelijke plaats op.

Voor Model HP2071, HP2071F (Fig. 9)

Houd de ring vast en draai de bus naar links om de klauwen van de boorkop te openen. Steek de boor zo ver mogelijk in de boorkop. Houd de ring weer stevig vast en draai de bus naar rechts om de boorkop vast te zetten.

Om de boor te verwijderen, houdt u de ring vast en draait u de bus naar links.

OPMERKING:

- Als de sleutellose boorkop niet kan worden losgedraaid omdat een boor in de klauwen van de boorkop vastgeklemd zit, kunt u de boorkop als volgt losmaken.

- Houd de bus stevig op haar plaats met een waterpomp tang of iets dergelijks. (Opmerking: Zet de tang niet op de borgring.)
- Zet de sleutel 19, een verstelbare sleutel of een andere geschikte sleutel op de zeskante moer aan de voorkant van de boorkop. Draai de sleutel rechtsom om de boorkop los te draaien, zoals afgebeeld in Fig. 10.

Dieptemaat (Fig. 11)

De dieptemaat is nuttig voor het boren van gaten van gelijke diepte. Maak de zijhandgreep los en steek de dieptemaat in het gat in de zijhandgreep. Stel de dieptemaat in op de gewenste diepte en zet de zijhandgreep vast.

OPMERKING:


- De dieptemaat kan niet worden gebruikt in de positie waarbij deze tegen het lichaam van het gereedschap zit.

BEDIENING

Hamerend boren

⚠ LET OP:

- Op het moment dat de boor door het gat heen dringt, of wanneer het boorgat verstopt raakt met spanen en metaaldeeltjes, of wanneer het gereedschap op versterkingsstaven in gewapend beton stoot, wordt er plotseling een enorme wringingskracht op het gereedschap/boor uitgeoefend. Gebruik daarom altijd de zijhandgreep (hulphandgreep) en houd het gereedschap tijdens het gebruik stevig vast bij zowel de zijhandgreep als de hoofdhandgreep. Als u dit niet doet, kunt u de controle over het gereedschap verliezen en mogelijk zware verwondingen oplopen.

Wanneer u in beton, graniet, tegels e.d. gaat boren, dient u de werking-keuzeknop in te stellen op de  positie om de "boren plus hameren" werking te kiezen.

Gebruik altijd een boor met een wolframcarbide boorpunt.


Plaats de boorpunt op de plaats waar u wilt boren en druk de trekschakelaar in. Forceer het gereedschap niet. Een lichte druk geeft de beste resultaten. Houd het gereedschap stevig vast en zorg dat de boor niet uit het gat wegslipt.

Oefen geen grotere druk uit wanneer het boorgat verstopt raakt met spanen of schilfertjes. Laat in plaats daarvan het gereedschap onbelast draaien en verwijder de boor gedeeltelijk uit het boorgat. Wanneer u dit een paar keer herhaalt, zal het boorgat schoon worden en kunt u normaal verder boren.

Blaasbalgje (los verkrijgbaar accessoire) (Fig. 12)

Gebruik het blaasbalgje nadat het gat is geboord, om stof uit het gat weg te blazen.

Boren

Wanneer u in hout, metaal of plastic materialen gaat boren, dient u de werking-keuzeknop in te stellen op de  positie om de "alleen boren" werking te kiezen.

Boren in hout

Bij boren in hout krijgt u de beste resultaten met houtboren die voorzien zijn van een geleideschroef. Het boren wordt dan vergemakkelijkt aangezien de geleideschroef de boor in het hout trekt.

Boren in metaal

Om te voorkomen dat de boor slijpt wanneer u een gat begint te boren, moet u met een drevel en een hamer vooraf een deukje slaan op de plaats waar u wilt boren. Plaats vervolgens de boorpunt in het deukje en begin te boren.

Gebruik altijd boorolie wanneer u in metaal boort. De enige uitzonderingen zijn ijzer en koper die droog geboord dienen te worden.

⚠ LET OP:

- Door overmatige druk op het gereedschap uit te oefenen verloopt het boren niet sneller. Integendeel, bij overmatige druk op het gereedschap zal de boorpunt beschadigd raken, zullen de prestaties van het gereedschap verslechteren, en zal het gereedschap minder lang meegaan.
- Op het moment dat de boor door het gat heen dringt, worden enorme spanningen uitgeoefend op het gereedschap/boor. Houd daarom het gereedschap stevig vast en wees op uw hoede wanneer de boor door het werkstuk heen begint te dringen.
- Wanneer de boor klemraakt, keert u met de omkeerschakelaar gewoon de draairichting om, om de boor uit het gat te krijgen. Houd het gereedschap echter goed vast, omdat het anders plotseling uit het gat weg kan schieten.
- Zet kleine werkstukken altijd goed vast in een spannschroef of iets dergelijks.

ONDERHOUD

ENG905-1

⚠ LET OP:

- Zorg altijd dat het gereedschap is uitgeschakeld en de stekker uit het stopcontact is verwijderd alvorens inspectie of onderhoud aan het gereedschap uit te voeren.
- Gebruik nooit benzine, wasbenzine, thinner, alcohol en dergelijke. Hierdoor het verkleuring, vervormingen en barsten worden veroorzaakt.

Indicatielampjes (Fig. 13)

Het groene spanning-AAN indicatielampje brandt wanneer het gereedschap is ingeschakeld. Als het indicatielampje brandt maar het gereedschap niet start, zijn de koolborstels mogelijk versleten, of is er een defect in het elektrische circuit of de motor. Als het indicatielampje niet brandt en het gereedschap niet start, is er mogelijk een defect in de AAN/UIT trekschakelaar of de stroomkabel. Het rode overbelasting-indicatielampje brandt wanneer het gereedschap overbelast wordt. In zo'n geval zal het voortgezet gebruik van het gereedschap resulteren in storing of defect van het gereedschap. Laat het gereedschap onbelast draaien om het te laten afkoelen.

Schoonmaken van de ventilatiegaten (Fig. 14 en 15)

Houd het gereedschap en zijn ventilatiegaten altijd schoon. Reinig regelmatig de ventilatiegaten om te voorkomen dat deze verstopt raken.

Om de VEILIGHEID en BETROUWBAARHEID van het gereedschap te handhaven, dienen alle reparaties, inspectie en vervanging van de koolborstels, en alle andere onderhoudswerkzaamheden of afstellingen te worden uitgevoerd bij een erkend Makita servicecentrum of fabriekscentrum, en altijd met gebruik van originele Makita vervangingsonderdelen.

OPTIONELE ACCESSOIRES

⚠ LET OP:

- Deze accessoires of hulpstukken worden aanbevolen voor gebruik met het Makita gereedschap dat in deze gebruiksaanwijzing wordt beschreven. Het gebruik van andere accessoires of hulpstukken kan gevaar voor persoonlijke verwonding opleveren. Gebruik de accessoires of hulpstukken uitsluitend voor het gespecificeerde doel.

Wenst u meer informatie over deze accessoires, neem dan contact op met het dichtstbijzijnde Makita servicecentrum.

- Boor met wolframcarbide boorpunt
- Gatzagen
- Blaasbalgje
- Veiligheidsbril
- Sleutellose boorkop 13
- Boorkop
- Handgreepmontage
- Dieptemaat
- Plastic draagkoffer

OPMERKING:

- Sommige van de onderdelen in deze lijst kunnen bijgeleverd zijn als standaard-accessoires. Deze accessoires kunnen per land verschillend zijn.

Geluidsniveau

De typisch, A-gewogen geluidsniveaus vastgesteld volgens EN60745:

Geluidsdrukniveau (L_{pA}): 99 dB (A)
Geluidsenergie-niveau (L_{WA}): 110 dB (A)
Onnauwkeurigheid (K): 3 dB (A)

Draag oorbeschermers

ENG900-1

Trilling

De totaalwaarde van de trillingen (triaxiale vectorsom) vastgesteld volgens EN60745:

Toepassing: hamerboren in beton
Trillingsemisatie ($a_{h,1D}$): 16,0 m/s²
Onnauwkeurigheid (K): 1,5 m/s²

Toepassing: boren in metaal
Trillingsemisatie ($a_{h,1D}$): 2,5 m/s²
Onnauwkeurigheid (K): 1,5 m/s²

ENG901-1

- De opgegeven trillingsemisatiewaarde is gemeten volgens de standaardtestmethode en kan worden gebruikt om dit gereedschap te vergelijken met andere gereedschappen.
- De opgegeven trillingsemisatiewaarde kan ook worden gebruikt voor een beoordeling vooraf van de blootstelling.

⚠ WAARSCHUWING:

- De trillingsemisatie tijdens het gebruik van het elektrisch gereedschap in de praktijk kan verschillen van de opgegeven trillingsemisatiewaarde afhankelijk van de manier waarop het gereedschap wordt gebruikt.
- Zorg ervoor dat veiligheidsmaatregelen worden getroffen ter bescherming van de operator die zijn gebaseerd op een schatting van de blootstelling onder praktijkomstandigheden (rekening houdend met alle fasen van de bedrijfscyclus, zoals de tijdsduur gedurende welke het gereedschap is uitgeschakeld en stationair draait, naast de ingeschakelde tijdsduur).

ENH101-15

Alleen voor Europese landen

EU-Verklaring van Conformiteit

Wij, Makita Corporation, als de verantwoordelijke fabrikant, verklaren dat de volgende Makita-machine(s):

Aanduiding van de machine:

2-snelheden hamerboor

Modelnr./Type: HP2070, HP2070F, HP2071, HP2071F in serie zijn geproduceerd en

Voldoen aan de volgende Europese richtlijnen:

2006/42/EC

En zijn gefabriceerd in overeenstemming met de volgende normen of genormaliseerde documenten:
EN60745

De technische documentatie wordt bewaard door onze erkende vertegenwoordiger in Europa, te weten:

Makita International Europe Ltd.

Michigan Drive, Tongwell,

Milton Keynes, Bucks MK15 8JD, Engeland

30.1.2009



Tomoyasu Kato

Directeur

Makita Corporation

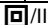
3-11-8, Sumiyoshi-cho,

Anjo, Aichi, 446-8502, JAPAN

Explicación de los dibujos

- | | | |
|--------------------------------------|--|--|
| 1 Botón de bloqueo | 10 Palanca de cambio del modo de accionamiento | 18 Anillo de retención |
| 2 Gatillo interruptor | 11 Base de la empuñadura | 19 Tuerca hexagonal |
| 3 Dial de regulación de la velocidad | 12 Empuñadura lateral (mango auxiliar) | 20 Llave del 19 |
| 4 Mayor | 13 Dientes | 21 Tope de profundidad |
| 5 Menor | 14 Protuberancias | 22 Soplador |
| 6 Lámpara | 15 Llave de portabroca | 23 Lámpara indicadora de herramienta encendida (verde) |
| 7 Interruptor de inversión | 16 Manguito | 24 Lámpara indicadora de servicio (roja) |
| 8 Flecha | 17 Anillo | 25 Orificios de ventilación |
| 9 Pomo de cambio de velocidad | | |

ESPECIFICACIONES

Modelo		HP2070/HP2070F		HP2071/HP2071F	
Velocidad		Alta	Baja	Alta	Baja
Capacidades	Hormigón	20 mm	----	20 mm	----
	Acero	8 mm	16 mm	8 mm	16 mm
	Madera	25 mm	40 mm	25 mm	40 mm
Velocidad en vacío (min ⁻¹)		0 – 2.900	0 – 1.200	0 – 2.900	0 – 1.200
Golpes por minuto		0 – 58.000	0 – 24.000	0 – 58.000	0 – 24.000
Longitud total		364 mm		362 mm	
Peso neto		2,6 kg		2,6 kg	
Clase de seguridad		 II			

- Debido a un programa continuo de investigación y desarrollo, las especificaciones aquí dadas están sujetas a cambios sin previo aviso.
- Las especificaciones pueden ser diferentes de país a país.
- Peso de acuerdo con el procedimiento EPTA 01/2003

ENE042-1

Uso previsto

La herramienta ha sido pensada para taladrado con percusión y taladrado en ladrillos, hormigón y piedra. También es apropiada para taladrar sin impactos en madera, cerámica y plástico.

ENF002-2

Alimentación

La herramienta ha de conectarse solamente a una fuente de alimentación de la misma tensión que la indicada en la placa de características, y sólo puede funcionar con corriente alterna monofásica. El sistema de doble aislamiento de la herramienta puede, por lo tanto, usarse también en enchufes hembra sin conductor de tierra.

GEA010-1

Advertencias de seguridad generales para herramientas eléctricas

⚠ ¡ADVERTENCIA! Lea todas las advertencias de seguridad y todas las instrucciones. Si no sigue todas las advertencias e instrucciones podrá ocasionar una descarga eléctrica, un incendio y/o heridas graves.

Guardé todas las advertencias e instrucciones para futuras referencias.

GEB003-5

ADVERTENCIAS DE SEGURIDAD PARA EL TALADRO DE PERCUSIÓN

1. **Utilice protectores de oídos con los taladros de impacto.** La exposición al ruido puede ocasionar pérdida auditiva.
2. **Utilice el mango(s) auxiliar, si se suministra con la herramienta.** La pérdida del control puede ocasionar heridas personales.
3. **Cuando realice una operación en la que el accesorio de corte pueda entrar en contacto con cableado oculto o con su propio cable, sujete las herramientas eléctricas por las superficies de aislamiento aisladas.** El contacto del accesorio de corte con un cable con corriente hará que la corriente circule por las partes metálicas expuestas de la herramienta eléctrica y podrá soltar una descarga eléctrica al operario.
4. **Asegúrese siempre de pisar sobre suelo firme. Asegúrese de que no haya nadie debajo cuando utilice la herramienta en lugares altos.**
5. **Sujete la herramienta firmemente con ambas manos.**
6. **Mantenga las manos alejadas de las piezas giratorias.**
7. **No deje la herramienta funcionando. Téngala en marcha solamente cuando esté es sus manos.**
8. **No toque la broca o la pieza de trabajo inmediatamente después de utilizarla; podrían estar muy calientes y producirle quemaduras de piel.**

9. Algunos materiales contienen sustancias químicas que podrán ser tóxicas. Tenga precaución para evitar la inhalación de polvo y el contacto con la piel. Siga los datos de seguridad del abastecedor del material.

GUARDE ESTAS INSTRUCCIONES.

⚠ ADVERTENCIA:

NO deje que la comodidad o familiaridad con el producto (a base de utilizarlo repetidamente) sustituya la estricta observancia de las normas de seguridad para el producto en cuestión. El MAL USO o el no seguir las normas de seguridad establecidas en este manual de instrucciones podrá ocasionar graves heridas personales.

DESCRIPCIÓN FUNCIONAL

⚠ PRECAUCIÓN:

- Asegúrese siempre de que la herramienta esté apagada y desenchufada antes de ajustar o comprobar cualquier función de la herramienta.

Accionamiento del interruptor (Fig. 1 y 2)

⚠ PRECAUCIÓN:

- Antes de enchufar la herramienta, compruebe siempre para cerciorarse de que el gatillo interruptor se acciona debidamente y que vuelve a la posición "OFF" cuando lo suelta.

Para poner en marcha la herramienta, simplemente apriete el gatillo interruptor. La velocidad de la herramienta aumenta incrementando la presión en el gatillo interruptor. Suelte el gatillo interruptor para parar.

Para una operación continua, apriete el gatillo interruptor y después presione hacia dentro el botón de bloqueo.

Para parar la herramienta desde la posición bloqueada, presione el gatillo interruptor completamente, y después suéltelo.

Se ha provisto un dial de regulación de la velocidad para poder limitar la velocidad máxima (variable) de la herramienta. Gire el dial de regulación de la velocidad hacia la derecha para mayor velocidad, y hacia la izquierda para menor velocidad.

Iluminación de las lámparas (Fig. 3)

Para el modelo HP2070F, HP2071F

⚠ PRECAUCIÓN:

- No mire a la luz ni vea la fuente de luz directamente.

Para encender la lámpara, apriete el gatillo. Suelte el gatillo para apagarla.

NOTA:

- Utilice un paño seco para quitar la suciedad de la lente de la lámpara. Tenga cuidado de no rayar la lente de la lámpara, porque podrá disminuir la iluminación.
- No utilice nunca gasolina ni disolvente para limpiar la lente de la lámpara, porque se dañará.

Accionamiento del interruptor de inversión (Fig. 4)

Esta herramienta tiene un interruptor de inversión para cambiar la dirección de giro. Mueva la palanca del interruptor de inversión a la posición ← (lado A) para giro hacia la derecha o a la posición → (lado B) para giro hacia la izquierda.

⚠ PRECAUCIÓN:

- Confirme siempre la dirección de giro antes de la operación.
- Utilice el interruptor de inversión solamente después de que la herramienta se haya parado completamente. Si cambia la dirección de giro antes de que la herramienta se haya parado podrá dañarla.
- Si el gatillo interruptor no puede apretarse, mire el interruptor de inversión para confirmar que está puesto completamente en la posición ← (lado A) o → (lado B).

Cambio de velocidad (Fig. 5)

Con el pomo de cambio de velocidad pueden preseleccionarse dos gamas de velocidades.

Para cambiar la velocidad, gire el pomo de cambio de velocidad de forma que la flecha de la carcasa de la herramienta apunte hacia la posición "I" del pomo para baja velocidad o hacia la posición "II" para alta velocidad.

Si resulta difícil girar el pomo, gire primero el portabroca ligeramente en cualquier dirección y después vuelva a girar el pomo.

⚠ PRECAUCIÓN:

- Utilice el pomo de cambio de velocidad solamente después de que la herramienta se haya parado completamente. Si cambia la velocidad de giro antes de que la herramienta se haya parado podrá dañarla.
- Ponga siempre el pomo de cambio de velocidad en la posición correcta. Si utiliza la herramienta con el pomo de cambio de velocidad puesto a medias entre las posiciones "I" y "II", la herramienta podrá dañarse.

Selección del modo de accionamiento (Fig. 6)

Esta herramienta tiene una palanca de cambio del modo de accionamiento. Para giro con percusión, deslice la palanca de cambio del modo de accionamiento hacia la derecha (símbolo ⚡). Para giro solamente, deslice la palanca de cambio del modo de accionamiento hacia la izquierda (símbolo ⚙).

⚠ PRECAUCIÓN:

- Deslice siempre la palanca de cambio del modo de accionamiento a tope hasta la posición del modo deseado. Si utiliza la herramienta con la palanca de cambio del modo de accionamiento puesta a medias entre los símbolos de modo, la herramienta podrá dañarse.

MONTAJE

⚠ PRECAUCIÓN:

- Asegúrese siempre de que la herramienta esté apagada y desenchufada antes de realizar cualquier trabajo en la herramienta.

Instalación de la empuñadura lateral (mango auxiliar) (Fig. 7)

Utilice siempre la empuñadura lateral para garantizar la seguridad de la operación. Instale la empuñadura lateral de forma que los dientes de la empuñadura encajen entre las protuberancias del barril de la herramienta.

Después apriete la empuñadura girándola hacia la derecha en la posición deseada. Puede girarse 360° para poder sujetarla en cualquier posición.

Instalación o desmontaje de la broca

Para el modelo HP2070, HP2070F (Fig. 8)

Para instalar la broca, introdúzcala a tope en el portabroca. Apriete el portabroca a mano. Ponga la llave de portabroca en cada uno de los tres agujeros y apriete hacia la derecha. Asegúrese de apretar los tres agujeros del portabroca uniformemente.

Para quitar la broca, gire la llave de portabroca hacia la izquierda en uno de los agujeros solamente, después afloje el portabroca a mano.

Después de utilizar la llave de portabroca, asegúrese de ponerla otra vez en su posición original.

Para el modelo HP2071, HP2071F (Fig. 9)

Sujete el anillo y gire el manguito hacia la izquierda para abrir las mordazas del portabroca. Ponga la broca en el portabroca a tope. Sujete el anillo firmemente y gire el manguito hacia la derecha para apretar el portabroca.

Para quitar la broca, sujete el anillo y gire el manguito hacia la izquierda.

NOTA:

- Si el mandril automático no pudiera aflojarse porque la broca se ha quedado enganchada en el interior de las mordazas del mandril, afloje el mandril de la forma siguiente.
1. Sujete el manguito del mandril firmemente con una llave de perro o por el estilo (Nota: No sujete la porción del anillo de retención.)
 2. Ponga la llave del 19, llave ajustable o una de las llaves apropiadas en la tuerca hexagonal por la parte delantera del mandril. Gire la llave hacia la derecha como se muestra en la Fig. 10 para aflojar el mandril.

Tope de profundidad (Fig. 11)

El tope de profundidad sirve para taladrar agujeros de profundidad uniforme. Afloje la empuñadura lateral e inserte el tope de profundidad en el agujero de la empuñadura lateral. Ajuste el tope de profundidad a la profundidad deseada y apriete el tope de profundidad.

NOTA:


- El tope de profundidad no podrá ser utilizado en la posición donde el mismo golpee contra la carcasa de la herramienta.

OPERACIÓN

Operación de taladrado con percusión

PRECAUCIÓN:

- En el momento de comenzar a penetrar, cuando se atasca el agujero con virutas y partículas, o cuando se topa contra varillas de refuerzo de hormigón armado, se ejerce una tremenda y repentina fuerza de torsión sobre la herramienta/broca. Utilice siempre la empuñadura lateral (mango auxiliar) y sujete la herramienta firmemente por la empuñadura lateral y empuñadura del interruptor durante las operaciones. En caso contrario podrá resultar en la pérdida del control de la herramienta y posiblemente graves heridas.

Cuando taladre en hormigón, granito, azulejos, etc., mueva la palanca de cambio del modo de accionamiento a la posición del símbolo  para utilizar el modo "giro con percusión".

Asegúrese de utilizar una broca de punta de carburo de tungsteno.


Posicione la broca donde desee hacer el agujero, después apriete el gatillo interruptor. No fuerce la herramienta. Los mejores resultados se obtienen con una ligera presión. Mantenga la herramienta en posición y evite que se deslice y se salga agujero.

No aplique más presión cuando el agujero se atasque con virutas y partículas. En su lugar, haga funcionar la herramienta sin presión, después saque parcialmente la broca del agujero. Repitiendo esto varias veces, se limpiará el agujero y se podrá reanudar el taladrado normal.

Soplador (accesorio opcional) (Fig. 12)

Después de taladrar el agujero, utilice el soplador para limpiar el polvo del agujero.

Operación de taladrado

Cuando taladre en madera, metal o materiales de plástico, mueva la palanca de cambio del modo de accionamiento a la posición del símbolo  para utilizar el modo "giro solamente".

Taladrado en madera

Cuando taladre en madera, los mejores resultados se obtendrán con brocas para madera equipadas con un tornillo guía. El tornillo guía facilita el taladrado tirando de la broca hacia el interior de la pieza de trabajo.

Taladrado en metal

Para evitar que la broca resbale al empezar a hacer el agujero, haga una mella con punzón y un martillo en el punto a taladrar. Coloque la punta de la broca en la mella y comience a taladrar.

Emplee un lubricante para operaciones de corte cuando taladre metales. Las excepciones son hierro y latón que deberán ser taladrados en seco.

PRECAUCIÓN:

- Con ejercer una presión excesiva sobre la herramienta no conseguirá taladrar más rápido. De hecho, esta presión excesiva sólo servirá para dañar la punta de la broca, disminuir el rendimiento de la herramienta y acortar su vida de servicio.
- En el momento de comenzar a penetrar se ejerce una fuerza tremenda sobre la herramienta/broca. Sujete la herramienta firmemente y tenga cuidado cuando la broca comience a penetrar en la pieza de trabajo.
- Una broca atascada podrá extraerse simplemente poniendo el interruptor de inversión en giro inverso para que retroceda. Sin embargo, la herramienta podrá retroceder bruscamente si no la sujeta firmemente.
- Sujete siempre las piezas de trabajo pequeñas en un tornillo de banco o herramienta de sujeción similar.

MANTENIMIENTO

PRECAUCIÓN:

- Asegúrese siempre de que la herramienta esté apagada y desenchufada antes de intentar realizar una inspección o mantenimiento.
- No utilice nunca gasolina, bencina, disolvente, alcohol o similares. Podría producir descoloración, deformación o grietas.

Lámpara indicadora (Fig. 13)

La lámpara indicadora de herramienta encendida verde se ilumina cuando se enciende la herramienta. Si la lámpara indicadora está encendida pero la herramienta no se pone en marcha, las escobillas de carbón estarán gastadas, o el circuito eléctrico o el motor podrá estar defectuoso. Si la lámpara indicadora no se enciende y la herramienta no se pone en marcha, el interruptor ON/OFF o el cable de corriente podrá estar defectuoso. La lámpara indicadora de servicio roja se enciende cuando la herramienta trabaja con mucha carga. Si continúa la operación en tal condición podrá ocasionar un fallo o estropear la herramienta. Cuando esto ocurra, enfríe la herramienta haciéndola funcionar sin carga.

Limpieza de los orificios de ventilación (Fig. 14 y 15)

La herramienta y sus aberturas de ventilación han de mantenerse limpias. Limpie las aberturas de ventilación regularmente o siempre que los orificios empiecen a estar obstruidos.

Para mantener la SEGURIDAD y FIABILIDAD del producto, las reparaciones, la inspección y sustitución de las escobillas de carbón, y cualquier otro mantenimiento o ajuste deberán ser realizados en Centros de Servicios Autorizados por Makita, empleando siempre piezas de repuesto de Makita.

ACCESORIOS OPCIONALES

⚠ PRECAUCIÓN:

- Estos accesorios o acoplamientos están recomendados para utilizar con la herramienta Makita especificada en este manual. El empleo de otros accesorios o acoplamientos conllevará un riesgo de sufrir heridas personales. Utilice los accesorios o acoplamientos solamente para su fin establecido.

Si necesita cualquier ayuda para más detalles en relación con estos accesorios, pregunte al centro de servicio Makita local.

- Broca de punta de carburo de tungsteno
- Brocas de corona
- Soplador
- Gafas de seguridad
- Mandril automático 13
- Llave de portabroca
- Conjunto de mordaza
- Tope de profundidad
- Maletín de transporte de plástico

NOTA:

- Algunos elementos de la lista podrán estar incluidos en el paquete de la herramienta como accesorios estándar. Pueden variar de un país a otro.

ENG905-1

Ruido

El nivel de ruido A-ponderado típico determinado de acuerdo con la norma EN60745:

Nivel de presión sonora (L_{pA}): 99 dB (A)

Nivel de potencia sonora (L_{WA}): 110 dB (A)

Error (K): 3 dB (A)

Póngase protectores en los oídos

Vibración

El valor total de la vibración (suma de vectores triaxiales) determinado de acuerdo con la norma EN60745:

Modo tarea: taladrado con impacto en cemento

Emisión de vibración ($a_{h,1D}$): 16,0 m/s²

Error (K): 1,5 m/s²

Modo tarea: taladrado en metal

Emisión de vibración ($a_{h,D}$): 2,5 m/s²

Error (K): 1,5 m/s²

ENG901-1

- El valor de emisión de vibración declarado ha sido medido de acuerdo con el método de prueba estándar y se puede utilizar para comparar una herramienta con otra.
- El valor de emisión de vibración declarado también se puede utilizar en una valoración preliminar de exposición.

⚠ ADVERTENCIA:

- La emisión de vibración durante la utilización real de la herramienta eléctrica puede variar del valor de emisión declarado dependiendo de las formas en las que la herramienta sea utilizada.
- Asegúrese de identificar medidas de seguridad para proteger al operario que estén basadas en una estimación de la exposición en las condiciones reales de utilización (teniendo en cuenta todas las partes del ciclo operativo tal como las veces cuando la herramienta está apagada y cuando está funcionando en vacío además del tiempo de gatillo).

ENH101-15

Para países europeos solamente

Declaración de conformidad CE

Makita Corporation como fabricante responsable declara que la(s) siguiente(s) máquina(s) de Makita:

Designación de máquina:

2 velocidad taladro de percusión

Modelo N°/Tipo: HP2070, HP2070F, HP2071, HP2071F

son producidas en serie y

Cumplen con las directivas europeas siguientes:

2006/42/EC

Y que están fabricadas de acuerdo con las normas o documentos normalizados siguientes:

EN60745

Los documentos técnicos los guarda nuestro representante autorizado en Europa cuya persona es:

Makita International Europe Ltd.

Michigan Drive, Tongwell,

Milton Keynes, Bucks MK15 8JD, Inglaterra

30.1.2009



Tomoyasu Kato

Director

Makita Corporation

3-11-8, Sumiyoshi-cho,

Anjo, Aichi, 446-8502, JAPAN

Explicação geral

1 Botão de bloqueio	10 Alavanca de mudança do modo de aço	19 Porca hexagonal
2 Gatilho	11 Base do punho	20 Chave 19
3 Anel de regulação de velocidade	12 Punho lateral (pega auxiliar)	21 Guia de profundidade
4 Alta	13 Dentes	22 Soprador
5 Baixa	14 Protuberâncias	23 Indicador de ligado-ON (verde)
6 Lâmpada	15 Chave do mandril	24 Lâmpada indicadora de manutenção (vermelha)
7 Interruptor de inversão	16 Manga	25 Orifícios de ventilação
8 Seta	17 Anel	
9 Botão de mudança de velocidade	18 Anel retentor	

ESPECIFICAÇÕES

Modelo		HP2070/HP2070F		HP2071/HP2071F	
Velocidade		Alta	Baixa	Alta	Baixa
Capacidades	Cimento	20 mm	----	20 mm	----
	Aço	8 mm	16 mm	8 mm	16 mm
	Madeira	25 mm	40 mm	25 mm	40 mm
Velocidade em vazio (min ⁻¹)		0 – 2.900	0 – 1.200	0 – 2.900	0 – 1.200
Impactos por minuto		0 – 58.000	0 – 24.000	0 – 58.000	0 – 24.000
Comprimento total		364 mm		362 mm	
Peso líquido		2,6 kg		2,6 kg	
Classe de segurança					

- Devido ao nosso programa contínuo de pesquisa e desenvolvimento, as características indicadas neste documento estão sujeitas a alterações sem aviso prévio.
- As especificações podem diferir de país para país.
- Peso de acordo com o Procedimento 01/2003 da EPTA (European Power Tool Association)

ENE042-1

Utilização a que se destina

A ferramenta foi concebida para perfuração de martelo e perfuração em tijolo, cimento e pedra. Também pode ser utilizada para perfuração sem impacto em madeira, metal, cerâmica e plástico.

ENF002-2

Alimentação

A ferramenta só deve ser ligada a uma fonte de alimentação com a mesma voltagem da indicada na placa de características, e só funciona com alimentação CA monofásica. Tem um sistema de isolamento duplo e pode, por isso, utilizar tomadas sem ligação à terra.

GEA010-1

Avisos gerais de segurança para ferramentas eléctricas

⚠ AVISO! Leia todos os avisos de segurança e todas as instruções. O não cumprimento de todos os avisos e instruções pode originar choque eléctrico, incêndio e/ou ferimentos graves.

Guarde todos os avisos e instruções para futuras referências.

GEB003-5

AVISOS DE SEGURANÇA PARA O BERBEQUIM DE PERCUSSÃO

- 1. Use protecção para os ouvidos durante a perfuração com impacto.** A exposição ao ruído pode causar perda de audição.
- 2. Utilize a(s) pega(s) auxiliar(es), se fornecida(s) com a ferramenta.** A perda de controlo pode causar danos pessoais.
- 3. Agarre na ferramenta eléctrica pelos punhos isolados ao realizar uma operação onde o acessório de corte possa tocar em fios eléctricos escondidos ou no seu próprio fio.** O contacto do acessório de corte com um fio "ligado" poderá carregar as partes metálicas da ferramenta e causar choque eléctrico no operador.
- 4. Certifique-se sempre de que se mantém equilibrado.**
Certifique-se de que ninguém está por baixo quando trabalhar em locais altos.
- 5. Agarre na ferramenta firmemente com as duas mãos.**
- 6. Mantenha as mãos afastadas das partes rotativas.**
- 7. Não deixe a ferramenta a funcionar. Funcione com a ferramenta só quando estiver a agarrá-la.**
- 8. Não toque na broca ou na superfície de trabalho imediatamente depois da operação; podem estar extremamente quentes e queimar-se.**

9. Alguns materiais contêm químicos que podem ser tóxicos. Tenha cuidado para evitar inalação de pó e contacto com a pele. Siga o dados de segurança do fornecedor do material.

GUARDE ESTAS INSTRUÇÕES.

⚠ AVISO:

NÃO permita que conforto ou familiaridade com o produto (adquirido com o uso repetido) substitua a aderência estrita às regras de segurança da ferramenta. MÁ INTERPRETAÇÃO ou não seguimento das regras de segurança estabelecidas neste manual de instruções pode causar danos pessoais sérios.

DESCRIÇÃO FUNCIONAL

⚠ PRECAUÇÃO:

- Certifique-se sempre de a ferramenta está desligada e a ficha retirada da tomada antes de regular ou verificar qualquer função na ferramenta.

Ação do interruptor (Fig. 1 e 2)

⚠ PRECAUÇÃO:

- Antes de ligar a ferramenta à corrente, verifique sempre que o gatilho funciona correctamente e volta para a posição "OFF" quando libertado.

Para iniciar a ferramenta, carregue simplesmente no gatilho. A velocidade da ferramenta aumenta de acordo com a pressão no gatilho. Liberte o gatilho para parar.

Para operação contínua, carregue no gatilho e em seguida empurre o botão de bloqueio.

Para parar a ferramenta na posição de bloqueada, carregue completamente no gatilho e em seguida solte-o.

Existe um marcador de regulação de velocidade para limitar a velocidade máxima da ferramenta (variável). Rode o parafuso de controlo de velocidade para a direita para maior velocidade e para a esquerda para menor velocidade.

Acender as lâmpadas (Fig. 3)

Para o modelo HP2070F, HP2071F

⚠ PRECAUÇÃO:

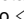

- Não olhe directamente para a lâmpada ou fonte de luz.

Para ligar a lâmpada, carregue no gatilho. Liberte o gatilho para desligar.

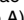
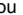
NOTA:

- Utilize um pano seco para limpar qualquer poeira das lentes da lâmpada. Tenha cuidado para não riscar as lentes da lâmpada pois pode diminuir a iluminação.
- Nunca utilize gasolina ou diluente para limpar as lentes da lâmpada pois ficarão danificadas.

Ação do interruptor de inversão (Fig. 4)

Esta ferramenta tem um interruptor de inversão para mudar a direcção de rotação. Desloque o interruptor de inversão para a posição  (lado A) para rotação para a direita ou para a posição  (lado B) para rotação para a esquerda.

⚠ PRECAUÇÃO:

- Verifique sempre a direcção de rotação antes da operação.
- Só utilize o interruptor de inversão depois de a ferramenta estar completamente parada. Mudar a direcção de rotação antes da ferramenta parar pode estragá-la.
- Se não conseguir pressionar o gatilho, verifique se o interruptor de inversão está completamente colocado na posição  (lado A) ou  (lado B).

Mudança de velocidade (Fig. 5)

Podem pré-seleccionar duas gamas de velocidade com o botão de mudança de velocidade.



Para mudar a velocidade, rode o botão de mudança de velocidade de modo a que a seta no corpo da ferramenta aponte para a posição " I " no botão para baixa velocidade ou para a posição " II " para alta velocidade.

Se for difícil rodar o botão, rode primeiro ligeiramente o mandril em qualquer das direcções e depois rode o botão outra vez.

⚠ PRECAUÇÃO:

- Só utilize o botão de mudança de velocidade depois da ferramenta estar completamente parada. Mudar a velocidade da ferramenta antes de estar parada pode estragar a ferramenta.
- Coloque sempre o botão de mudança de velocidade na posição correcta. Se funcionar com a ferramenta com o botão de mudança de velocidade colocado entre a posição " I " e " II " pode estragar a ferramenta.

Seleção do modo de acção (Fig. 6)

Esta ferramenta tem uma alavanca de mudança do modo de acção. Para rotação com martelo, deslize a alavanca de mudança do modo de acção para a direita (símbolo ). Para só rotação deslize a alavanca de mudança do modo de acção para a esquerda (símbolo ).

⚠ PRECAUÇÃO:

- Deslize sempre a alavanca de mudança do modo de acção completamente para a posição desejada. Se funcionar com a ferramenta com a alavanca posicionada entre os símbolos de modo, pode estragar a ferramenta.

ASSEMBLAGEM

⚠ PRECAUÇÃO:

- Certifique-se sempre de que a ferramenta está desligada e a ficha retirada da tomada antes de executar qualquer manutenção na ferramenta.

Instalação do punho lateral (pega auxiliar) (Fig. 7)

Utilize sempre o punho lateral para assegurar uma operação segura. Instale o punho lateral de modo a que os dentes no punho encaixem entre as protuberâncias no tambor da ferramenta.

Em seguida, aperte o punho rodando-o para a direita na posição desejada. Pode rodar 360° para poder ser fixo em qualquer posição.

Instalar ou retirar a broca de perfurar

Para o modelo HP2070, HP2070F (Fig. 8)

Para instalar a broca, coloque-a no mandril o mais fundo possível. Aperte o mandril com a mão. Coloque a chave do mandril em cada um dos três orifícios e aperte para a direita. Certifique-se de que aperta os três orifícios do mandril uniformemente.

Para retirar a broca, rode a chave do mandril para a esquerda só num orifício e em seguida solte o mandril com a mão.

Depois de utilizar a chave do mandril, certifique-se de que a volta a colocar na posição original.

Para o modelo HP2071, HP2071F (Fig. 9)

Agarre no anel e rode a manga para a esquerda para abrir as garras do mandril. Coloque a broca no mandril o mais fundo possível. Agarre no anel firmemente e rode a manga para a direita para apertar o mandril.

Para retirar a broca, agarre no anel e rode a manga para a esquerda.

NOTA:

• Se o mandril de berbequim não munido de chave não poder ser solto porque uma broca está presa dentro das garras, solte o mandril do berbequim como se segue:

1. Agarre na manga do mandril do berbequim firmemente com um alicate com bomba de água ou semelhante (Nota: Não agarre na porção do anel retentor.)
2. Coloque a chave 19, a chave regulável ou outra chave apropriada na porca hexagonal na frente do mandril do berbequim. Rode a chave para a direita como indicado no **Fig. 10** para soltar o mandril do berbequim.

Guia de profundidade (Fig. 11)

A guia de profundidade é conveniente para perfurar orifícios de profundidade uniforme. Solte o punho lateral e coloque a guia de profundidade no orifício no punho lateral. Regule a guia de profundidade na profundidade desejada e aperte o punho lateral.

NOTA:

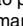
• A guia de profundidade pode ser utilizada na posição onde a guia de profundidade toca no corpo da ferramenta.

OPERAÇÃO

Operação de perfuração com martelo

⚠️ PRECAUÇÃO:

• É exercida uma força tremenda e repentina de torção na ferramenta/broca quando parte o buraco, quando o buraco fica bloqueado com aparas e partículas ou quando bate em varões reforçados embebidos no cimento. Utilize sempre a pega lateral (pega auxiliar) e agarre na ferramenta firmemente tanto pela pega lateral como pela pega interruptora durante as operações. Se assim não for, pode perder o controlo da ferramenta e aleijar-se seriamente.

Quando perfura em cimento, granito, tijolos, etc, desloque a alavanca de mudança do modo de acção para a posição do símbolo  para utilizar "rotação com martelo".

Certifique-se de que utiliza uma broca de carboneto de tungsténio.

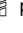
Posicione a broca na posição desejada para o orifício e em seguida carregue no gatilho. Não force a ferramenta. Pressão ligeira oferece melhores resultados. Mantenha a ferramenta na posição e evite que deslize para fora do orifício.

Não aplique mais pressão quando o orifício fica bloqueado com aparas ou partículas. Em vez disso, funcione com a ferramenta de lado e em seguida retire a broca parcialmente do orifício. Repetindo isto várias vezes, o orifício ficará limpo e pode retomar a operação normal.

Soprador (acessório opcional) (Fig. 12)

Depois de perfurar o orifício, utilize o soprador para retirar a poeira do orifício.

Operação de perfuração

Quando perfura em madeira, metal ou materiais plásticos, desloque a alavanca de mudança do modo de acção para a posição do símbolo  para utilizar a acção de "só rotação".

Perfuração em madeira

Quando perfura em madeira, obtém melhores resultados com brocas para madeira equipadas com um parafuso guia. O parafuso guia torna a perfuração mais fácil empurrando a broca para a peça de trabalho.

Perfuração em metal

Para evitar que a broca deslize quando inicia um orifício, faça uma marca com um furador e um martelo no ponto a ser furado. Coloque a ponta da broca na marca e comece a perfurar.

Utilize um lubrificante de corte quando perfura metais. As excepções são ferro e latão que devem ser perfurados em seco.

⚠️ PRECAUÇÃO:

- Pressionar excessivamente na ferramenta não aumentará a velocidade de perfuração. De facto, esta pressão excessiva só servirá para estragar a ponta da sua broca, diminuir o rendimento da ferramenta e diminuir a vida útil da ferramenta.
- É exercida uma força tremenda na ferramenta/broca quando parte o buraco. Agarre na ferramenta firmemente e tenha cuidado quando a broca começa a partir a peça de trabalho.
- Uma broca presa pode ser retirada colocando simplesmente o interruptor de inversão na rotação inversa para a fazer saltar. No entanto, a ferramenta pode recuar abruptamente se não a agarrar firmemente.
- Prensar sempre peças de trabalho pequenas num torno ou equipamento semelhante.

MANUTENÇÃO

⚠️ PRECAUÇÃO:

- Certifique-se sempre de que a ferramenta está desligada e a ficha retirada da tomada antes de executar qualquer inspeção ou manutenção.
- Nunca utilize gasolina, benzina, diluente, álcool ou produtos semelhantes. Pode ocorrer a descoloração, deformação ou rachaduras.

Lâmpada indicadora (Fig. 13)

A lâmpada verde de indicação de alimentação-ON acende-se quando liga a ferramenta. Se a lâmpada de indicação estiver acesa e a ferramenta não começar a funcionar, as escovas de carvão podem estar gastas ou o circuito eléctrico ou o motor podem estar com defeitos. Se a lâmpada não se acender e a ferramenta não começar a funcionar, o interruptor ON/OFF ou o fio de alimentação podem estar com defeitos.

A lâmpada vermelha de indicação de manutenção acende-se quando a ferramenta está com carga excessiva. Operação contínua nestas condições pode estragar a ferramenta.

Nesta altura, arrefeça a ferramenta funcionando com ela em vazio.

Limpeza dos orifícios de ventilação (Fig. 14 e 15)

Esta ferramenta e as suas ventilações devem ser mantidas limpas. Limpe regularmente as ventilações da ferramenta ou quando começarem a ficar obstruídas.

Para manter a SEGURANÇA e FIABILIDADE do produto, a reparação, inspecção e substituição da escova de carvão, bem como qualquer afinação ou manutenção devem sempre ser efectuadas num centro de assistência oficial Makita, utilizando sempre peças de substituição Makita.

ACESSÓRIOS OPCIONAIS

⚠ PRECAUÇÃO:

- Estes acessórios ou acoplamentos são os recomendados para uso na ferramenta Makita especificada neste manual. A utilização de quaisquer outros acessórios ou acoplamento poderá ser perigosa para o operador. Os acessórios ou acoplamentos devem ser utilizados de maneira adequada e apenas para os fins a que se destinam.

No caso de necessitar ajuda para mais detalhes sobre estes acessórios, consulte ao departamento de assistência local da Makita.

- Broca de carboneto de tungsténio
- Serras de orifício
- Soprador
- Óculos de segurança
- Mandril de berbequim sem chave 13
- Chave do mandril
- Conjunto do punho
- Guia de profundidade
- Caixa plástica para transporte

NOTA:

- Alguns itens da lista podem estar incluídos na embalagem da ferramenta como acessórios padrão. Eles podem variar de país para país.

ENG905-1

Ruído

A característica do nível de ruído A determinado de acordo com EN60745:

Nível de pressão de som (L_{pA}): 99 dB (A)

Nível do som (L_{WA}): 110 dB (A)

Variabilidade (K): 3 dB (A)

Utilize protectores para os ouvidos

ENG900-1

Vibração

Valor total da vibração (soma vectorial tri-axial) determinado de acordo com EN60745:

Modo de funcionamento: perfuração com impacto em betão

Emissão de vibração ($a_{h,1D}$): 16,0 m/s²

Variabilidade (K): 1,5 m/s²

Modo de funcionamento: perfuração em metal

Emissão de vibração ($a_{h,D}$): 2,5 m/s²

Variabilidade (K): 1,5 m/s²

ENG901-1

- O valor da emissão de vibração indicado foi medido de acordo com o método de teste padrão e pode ser utilizado para comparar duas ferramentas.
- O valor da emissão de vibração indicado pode também ser utilizado na avaliação preliminar da exposição.

⚠ AVISO:

- A emissão de vibração durante a utilização real da ferramenta eléctrica pode diferir do valor de emissão indicado, dependendo das formas como a ferramenta é utilizada.
- Certifique-se de identificar as medidas de segurança para protecção do operador que sejam baseadas em uma estimativa de exposição em condições reais de utilização (considerando todas as partes do ciclo de operação, tal como quando a ferramenta está desligada e quando está a funcionar em marcha lenta além do tempo de accionamento).

ENH101-15

Só para países Europeus

Declaração de conformidade CE

Nós, a Makita Corporation, fabricante responsável, declaramos que a(s) seguinte(s) ferramenta(s) Makita:

Designação da ferramenta:

Berbequim de percussão de 2 velocidades

Modelos n°/Tipo: HP2070, HP2070F, HP2071, HP2071F

são de produção de série e

Em conformidade com as seguintes directivas europeias:

2006/42/EC

E estão fabricados de acordo com as seguintes normas ou documentos normativos:

EN60745

A documentação técnica é mantida pelo nosso representante autorizado na Europa:

Makita International Europe Ltd.

Michigan Drive, Tongwell,

Milton Keynes, Bucks MK15 8JD, Inglaterra

30.1.2009



Tomoyasu Kato

Director


Makita Corporation

3-11-8, Sumiyoshi-cho,
Anjo, Aichi, 446-8502, JAPAN

Illustrationsoversigt

1 Låseknop	10 Funktionsvælgerknop	19 Sekskantmøtrik
2 Afbryder	11 Grebbase	20 Nøgle 19
3 Hastighedskontrolknop	12 Sidegreb (ekstrahåndtag)	21 Dybdeanslag
4 Hurtigere	13 Tænder	22 Udblæsningskugle
5 Langsommere	14 Fræmspring	23 Strømindikatorlampe (grøn)
6 Lampe	15 Borepatron	24 Serviceindikatorlampe (rød)
7 Omdrejningsvælger	16 Muffe	25 Ventilationshuller
8 Pil	17 Ring	
9 Hastighedsvælgerknop	18 Holderring	

SPECIFIKATIONER

Model		HP2070/HP2070F		HP2071/HP2071F	
Hastighed		Høj	Lav	Høj	Lav
Kapacitet	Beton	20 mm	----	20 mm	----
	Stål	8 mm	16 mm	8 mm	16 mm
	Træ	25 mm	40 mm	25 mm	40 mm
Omdrejninger (min ⁻¹)		0 – 2 900	0 – 1 200	0 – 2 900	0 – 1 200
Slagantal (min)		0 – 58 000	0 – 24 000	0 – 58 000	0 – 24 000
Længde		364 mm		362 mm	
Netto vægt		2,6 kg		2,6 kg	
Sikkerhedsklasse		 /II			

- På grund af vores kontinuerlige forskningsprogrammer og udvikling, kan hosstående specifikationer blive ændret uden varsel.
- Specifikationer kan variere fra land til land.
- Vægt i henhold til EPTA-Procedure 01/2003

ENE042-1

Tilsigtet anvendelse

Denne maskine er beregnet til hammerboring og boring i mursten, beton og sten.
Den er også egnet til boring uden slag i træ, metal, keramik og plastmaterialer.

ENF002-2

Strømforsyning

Maskinen må kun tilsluttes en strømforsyning med samme spænding som angivet på typeskiltet, og kan kun anvendes på enfaset vekselstrømforsyning. Den er dobbeltisoleret og kan derfor også tilsluttes netstik uden jordforbindelse.

GEA010-1

Almindelige sikkerhedsregler for el-værktøj

⚠ ADVARSEL! Læs alle sikkerhedsadvarsler og alle sikkerhedsinstruktioner. Hvis nedenstående advarsler og instruktioner ikke overholdes, kan resultatet blive elektrisk stød, brand og/eller alvorlig personskade.

Gem alle advarsler og instruktioner til fremtidig reference.

GE003-5

SIKERHEDSFORSKRIFTER FOR BOREHAMMER

1. Anvend høreværn, når der anvendes slagbor. Udsættelse for støj kan føre til høretab.
2. Anvend hjælpelhåndtag, hvis det (de) følger med maskinen. Hvis kontrollen mistes, kan resultatet blive personskade.

3. Hold altid et el-værktøj i dets isolerede håndtagsflader, når du udfører et arbejde, hvor skæreværktøjet kan komme i berøring med dets egen ledning. Hvis skæreværktøjet kommer i berøring med en strømførende ("live") ledning, kan el-værktøjets udsatte metaldele blive strømførende og give operatøren stød.
4. Sørg for, at De altid har sikkert fodfæste. Ved brug af maskinen i større højde bør De sikre Dem, at der ikke står personer nedenunder arbejdsområdet.
5. Hold godt fast på maskinen med begge hænder.
6. Rør aldrig roterende dele med hænderne.
7. Læg ikke maskinen fra Dem, mens den stadig kører. Maskinen må kun køre, når den holdes med begge hænder.
8. Rør ikke ved værktøjet eller værktøjet umiddelbart efter brug. Disse dele kan være ekstremt varme og medføre forbrændinger.
9. Visse materialer indeholder kemikalier, som kan være giftige. Vær påpasselig med ikke at indånde støv eller få disse materialer på huden. Følg sikkerhedsforskrifterne fra fabrikanten af materialet.

GEM DISSE FORSKRIFTER.

⚠ ADVARSEL:

LAD IKKE bekvemmelighed eller kendskab til produktet (opnået gennem gentagen brug) forhindre, at sikkerhedsforskrifterne for produktet nøje overholdes. MISBRUG eller forsømmelse af at følge de i denne brugsvejledning givne sikkerhedsforskrifter kan føre til, at De kommer alvorligt til skade.

FUNKTIONSBESKRIVELSE

⚠ FORSIGTIG:

- Kontrollér altid at maskinen er slukket, og at netledningen er taget ud af stikkontakten, før funktioner på maskinen justeres eller kontrolleres.

Afbryderbetjening (Fig. 1 og 2)

⚠ FORSIGTIG:

- Før netledningen sættes i en stikkontakt, skal det altid kontrolleres, at afbryderen fungerer korrekt og vender tilbage til "OFF" positionen, når den slippes.

Maskinen startes ved at man ganske enkelt trykker afbryderen ind. Maskinens hastighed øges ved at man øger trykket på afbryderen. Slip afbryderen for at standse.

Ved vedvarende arbejde trykkes afbryderen ind, hvorefter låseknappen trykkes ind.

For at stoppe maskinen fra denne låste position, trykkes afbryderen helt ind, hvorefter den slippes igen.

Maskinen er forsynet med en hastighedskontrolknop, så maksimal maskinhastighed kan begrænses (variabel). Drej hastighedskontrolknappen med uret for højere hastighed og mod uret for lavere hastighed.

Tænd af lamperne (Fig. 3)

For Model HP2070F, HP2071F

⚠ FORSIGTIG:

- Se ikke direkte på lyset eller lyskilden.

Lampen tændes ved at man trykker på afbryderen. Slip afbryderen for at slukke.

BEMÆRK:

- Anvend en tør klud til at tørre smuds af lampens linse. Undgå at ridse lampens linse, da det vil gøre belysningen svagere.
- Anvend aldrig benzin eller fortynder til at rengøre linsen på lampen, da den vil tage skade derved.

Omdrejningsvælgerbetjening (Fig. 4)

Denne maskine er forsynet med en omdrejningsvælger til at ændre omdrejningsretningen. Flyt omdrejningsvælgeren til \leftarrow positionen (A side) for rotation med uret, eller til \rightarrow positionen (B side) for rotation mod uret.

⚠ FORSIGTIG:

- Kontrollér altid omdrejningsretningen før brug.
- Brug kun omdrejningsvælgeren, når maskinen er helt standset. Hvis omdrejningsretningen ændres, før maskinen er helt standset, kan det beskadige maskinen.
- Hvis afbryderen ikke kan trykkes ind, skal De kontrollere, at omdrejningsvælgeren er skudt hele vejen til den korrekte position \leftarrow (A side) eller \rightarrow (B side).

Ændring af hastighed (Fig. 5)

Der kan forvælges to hastighedsområder med hastighedsvælgerknappen.

For at ændre hastigheden drejes hastighedsvælgerknappen, så pilen på maskinhuset peger på "I" positionen på knappen for lav hastighed, eller på "II" position for høj hastighed.

Hvis det er vanskeligt at dreje knappen, drejer man først borepatronen en smule i en af retningerne og drejer derefter knappen igen.

⚠ FORSIGTIG:

- Brug kun hastighedsvælgerknappen, når maskinen er helt standset. Hvis maskinens hastighed ændres, før maskinen er helt standset, kan maskinen tage skade.

- Sæt altid hastighedsvælgerknappen til den korrekte position. Hvis man anvender maskinen med hastighedsvælgerknappen placeret halvvejs mellem "I" og "II" positionen, kan maskinen tage skade.

Valg af funktion (Fig. 6)

Denne maskine er forsynet med en funktionsvælgerknop. For rotation med hammerboring skydes funktionsvælgerknappen til højre (\uparrow symbol). For rotation alene skydes funktionsvælgerknappen til venstre (\downarrow symbol).

⚠ FORSIGTIG:

- Skyd altid funktionsvælgerknappen hele vejen til den ønskede position. Hvis man anvender maskinen med funktionsvælgerknappen placeret halvvejs mellem funktionsymbolerne, kan maskinen tage skade.

SAMLING

⚠ FORSIGTIG:

- Kontrollér altid, at maskinen er slået fra, og at netstikket er trukket ud af stikkontakten, før der udføres noget arbejde på maskinen.

Montering af sidegreb (ekstrahåndtag) (Fig. 7)

Sidegrebet bør altid anvendes for at garantere sikkerheden. Anbring sidegrebet, således at tænderne på grebet passer ind mellem fremspringende på maskinens hus.

Stram derefter grebet ved at dreje det med uret til den ønskede position. Det kan drejes 360°, således at det kan fastgøres i enhver position.

Montering og afmontering af bor

For Model HP2070, HP2070F (Fig. 8)

Sæt boret helt ind i borepatronen. Stram borepatronen til med hånden. Anbring på skift borepatronnøglen i hvert af de tre huller og stram til i urets retning. Sørg for at stramme alle tre patronhuller jævnt til.

Afmontér boret ved at dreje borepatronnøglen mod uret i et af hullerne, og løsn derefter borepatronen med hånden.

Sørg for at sætte borepatronnøglen på plads igen efter brug.

For Model HP2071, HP2071F (Fig. 9)

Hold på ringen og drej muffen mod uret for at åbne patronens kæber. Sæt boret helt ind i borepatronen. Hold ringen fast, og drej muffen med uret for at stramme patronen til.

Afmontér boret ved at holde ringen fast og dreje muffen mod uret.

BEMÆRK:

- Hvis den selvspændende borepatron ikke kan løsnes, fordi et borebit er fanget inde i patronens kæber, løsnes borepatronen som følger.
- 1. Hold muffen på borepatronen fast med en bidetang eller lignende (Bemærk: Hold ikke på holderringdelen.)
- 2. Anbring nøgle 19, en justerbar nøgle eller anden passende nøgle, over sekskantmøtrikken foran på borepatronen. Drej nøglen med uret, som vist i Fig. 10, for at løsne borepatronen.

Dybdeanslag (Fig. 11)

Dybdeanslaget er nyttigt ved boring af huller med samme dybde. Løsn sidegrebet og sæt dybdeanslaget ind i hullet på grebbasen. Indstil dybdeanslaget til den ønskede dybde og stram derefter sidegrebet til.

BEMÆRK:


- Dybdeanslaget kan ikke anvendes i positionen, hvor dybdeanslaget slår mod gearhuset.

BETJENING

Hammerboring

⚠ FORSIGTIG:

- Maskinen/boret udsættes for en voldsom og pludselig vridningspåvirkning, når der brydes gennem hullet, når hullet bliver tilstoppet med spåner eller partikler, eller når det slår mod armeringsjern i beton. Anvend altid sidegrebet (hjælpegreb), og hold maskinen godt fast både med sidegrebet og afbrydergrebet under anvendelsen. Hvis dette ikke gøres, kan det medføre, at De mister kontrollen over maskinen, hvilket udgør en stor risiko for alvorlig tilskadekomst.

Når der bores i beton, granit, fliser og lignende, flyttes funktionsvælgerknappen til positionen med  symbolet for "rotation med hammerboring".

Husk at anvende et bor med hårdmetalspids.


Anbring spidsen af boret på det sted, hvor hullet skal bores, og tryk derefter afbryderen ind. Tving ikke maskinen. Et let tryk giver det bedste resultat. Hold godt fast på maskinen for at forhindre, at den skrider væk fra hullet.

Øg ikke trykket på maskinen, når hullet bliver tilstoppet med spåner og partikler. Lad i stedet maskinen køre i tomgang, og træk dernæst boret delvist ud af hullet. Ved at gentage dette flere gange bliver borehullet rent, og normal boring kan genoptages.

Udblæsningskugle (ekstraudstyr) (Fig. 12)

Efter boring af hullet anvendes udblæsningskuglen til at blæse hullet rent for støv.

Boring

Ved boring i træ, metal eller plastmaterialer, skydes funktionsvælgeren til positionen med  symbolet for "rotation alene".

Boring i træ

Når der bores i træ, opnås det bedste resultat ved anvendelse af træbor med gevindspids. Gevindspidsen trækker naturligt boret ind i træet, hvilket gør boring lettere.

Boring i metal

For at forhindre at boret skrider ud, når der startes på et nyt hul, bør De først lave en fordybning med en kørne og en hammer på det sted, hvor der skal bores. Placer spidsen af boret i fordybningen og start dernæst boringen. Anvend en skærevæske ved boring i metal. Undtagelserne er jern og messing, der skal bores tørre.

⚠ FORSIGTIG:

- Overdrevent tryk på maskinen vil ikke gøre boringen hurtigere. Faktisk vil overdrevent tryk medvirke til at beskadige spidsen på boret, nedsætte maskinens ydelse, og forkorte maskinens levetid.
- Maskinen/boret udsættes for en stor kraftpåvirkning, når boret bryder igennem. Hold godt fast på maskinen og udvis forsigtighed, når boret begynder at bryde gennem emnet.

- Et bor, der har sat sig fast, kan nemt fjernes ved at sætte omdrejningsvælgeren til omdrejning mod uret for at bakke ud. Maskinen kan dog bakke ukontrollabelt ud, hvis man ikke holder godt fast på den.
- Små emner skal altid spændes forsvarligt fast i en skruestik eller lignende fastgøringsanordning.

VEDLIGHOLDELSE

⚠ FORSIGTIG:

- Kontrollér altid, at maskinen er slået fra, og netledningen taget ud af stikkontakten, inden De udfører inspektion eller vedligeholdelse.
- Anvend aldrig benzin, rensebenzin, fortynder, alkohol og lignende. Resultatet kan blive misfarvning, deformation eller revner.

Indikatorlampe (Fig. 13)

Den grønne strømindikatorlampe lyser, når der er tændt for maskinen. Hvis indikatorlampen lyser, men maskinen ikke starter, kan kulbørsterne være slidt op, eller det elektriske kredsløb eller motoren kan være defekt. Hvis indikatorlampen ikke lyser, og maskinen ikke starter, kan ON/OFF afbryderen eller netledningen være defekt.

Den røde serviceindikatorlampe lyser, når maskinen er overbelastet. Fortsat anvendelse i en sådan situation vil resultere i funktionssvigt eller beskadigelse af maskinen. I denne situation skal maskinen have lov at køle af, hvilket opnås ved, at den får lov at køre uden belastning.

Rengøring af ventilationshuller (Fig. 14 og 15)

Maskinen og dens ventilationshuller skal holdes rene. Rengør maskinens ventilationshuller med mellemrum, eller når de begynder at blive tilstoppede.

For at opretholde produktets SIKKERHED og PÅLIDLIGHED bør reparation, inspektion og udskiftning af kul, samt anden vedligeholdelse og justering kun udføres af et autoriseret Makita service-center eller værksted med anvendelse af originale Makita udskiftningsdele.

EKSTRAUDSTYR

⚠ FORSIGTIG:

- Det i denne manual specificerede tilbehør og anordninger anbefales til brug sammen med Deres Makita maskine. Brug af andet tilbehør og andre anordninger kan udgøre en risiko for personskade. Anvend kun tilbehør og anordninger til de beskrevne formål.

Hvis De behøver assistance eller yderligere detaljer om dette tilbehør, bedes De kontakte Deres lokale Makita servicecenter.

- Bor med hårdmetalspids
- Hulsave
- Udblæsningskugle
- Sikkerhedsbriller
- Nøgleløs borepatron 13
- Borepatron
- Grebened
- Dybdeanslag
- Transportkuffert i plast

BEMÆRK:

- Nogle ting på denne liste kan være inkluderet i værktøjsspakken som standardtilbehør. Det kan være forskellige fra land til land.

Lyd

Det typiske A-vægtede støjniveau bestemt i overensstemmelse med EN60745:

Lydtryksniveau (L_{pA}): 99 dB (A)

Lydeffektniveau (L_{WA}): 110 dB (A)

Usikkerhed (K): 3 dB (A)

Bær høreværn

ENG900-1

Vibration

Vibrations totalværdi (tre-aksial vektorsum) bestemt i overensstemmelse med EN60745:

Arbejdsindstilling: slagboring i beton

Vibrationsafgivelse ($a_{h, ID}$): 16,0 m/s²

Usikkerhed (K): 1,5 m/s²

Arbejdsindstilling: boring i metal

Vibrationsafgivelse ($a_{h, D}$): 2,5 m/s²

Usikkerhed (K): 1,5 m/s²

ENG901-1

- Den angivne vibrationsemissionsværdi er blevet målt i overensstemmelse med standardtestmetoden og kan anvendes til at sammenligne en maskine med en anden.
- Den angivne vibrationsemissionsværdi kan også anvendes i en preliminær eksponeringsvurdering.

⚠ ADVARSEL:

- Vibrationsemissionen under den faktiske anvendelse af maskinen kan være forskellig fra den erklærede emissionsværdi, afhængigt af den måde, hvorpå maskinen anvendes.
- Sørg for at identificere de sikkerhedsforskrifter til beskyttelse af operatøren, som er baseret på en vurdering af eksponering under de faktiske brugsforhold (med hensyntagen til alle dele i brugscyklen, som f.eks. de gange, hvor maskinen er slukket og når den kører i tomgang i tilgift til afbrydertiden).

ENH101-15

Kun for lande i Europa**EU-konformitetserklæring**

Vi, Makita Corporation, erklærer, som den ansvarlige fabrikant, at den (de) følgende Makita maskine(r):

Maskinens betegnelse:

Borehammer med to hastigheder

Model nr./Type: HP2070, HP2070F, HP2071, HP2071F

er af serieproduktion og

opfylder betingelserne i de følgende EU-direktiver:

2006/42/EC

og er fremstillet i overensstemmelse med de følgende standarder eller standardiserede dokumenter:

EN60745

Den tekniske dokumentation opbevares af vores autoriserede repræsentant i Europa, som er:

Makita International Europe Ltd.

Michigan Drive, Tongwell,

Milton Keynes, Bucks MK15 8JD, England

30.1.2009



Tomoyasu Kato

Direktør

Makita Corporation

3-11-8, Sumiyoshi-cho,

Anjo, Aichi, 446-8502, JAPAN

Περιγραφή γενικής άποψης

1 Κουμπί κλειδώματος	10 Μοχλός αλλαγής τρόπου λειτουργίας	18 Δακτύλιος συγκράτησης
2 Σκανδάλη διακόπτης	11 Βάση λαβής	19 Εξαγωνο παξιμάδι
3 Καντράν ρύθμισης ταχύτητας	12 Πλάγια λαβή	20 Κλειδί 19
4 Υψηλότερη	13 Οδόντες	21 Μετρητής βάθους
5 Χαμηλότερη	14 Προεξοχές	22 Κεφαλή φυσστήρα
6 Λάμπα	15 Σταυρόκλειδο	23 Λάμπα ένδειξης ON (πράσινη)
7 Λειτουργία αντιστροφής	16 Μανίκι	24 Λάμπα ένδειξης συντήρησης (κόκκινη)
8 Βέλος	17 Δακτύλιος	25 τρύπες εξαερισμού

ΤΕΧΝΙΚΑ ΧΑΡΑΚΤΗΡΙΣΤΙΚΑ

Μοντέλο		HP2070/HP2070F		HP2071/HP2071F	
Ταχύτητων		Υψηλή	Χαμηλή	Υψηλή	Χαμηλή
Αποδόσεις	Τσιμέντο	20 χιλ.	-----	20 χιλ.	-----
	Ατσάλι	8 χιλ.	16 χιλ.	8 χιλ.	16 χιλ.
	Ξύλο	25 χιλ.	40 χιλ.	25 χιλ.	40 χιλ.
Ταχύτητα χωρίς φορτίο (λεπ ⁻¹)		0 – 2.900	0 – 1.200	0 – 2.900	0 – 1.200
Χτυπήματα ανά λεπτό		0 – 58.000	0 – 24.000	0 – 58.000	0 – 24.000
Συνολικό μήκος		364 χιλ.		362 χιλ.	
Καθαρό βάρος		2,6 Χγρ.		2,6 Χγρ.	
Κατηγορία ασφάλειας		 /II			

- Λόγω του συνεχιζόμενου προγράμματος έρευνας και ανάπτυξης, οι παρούσες προδιαγραφές υπόκεινται σε αλλαγή χωρίς προειδοποίηση.
- Τα τεχνικά χαρακτηριστικά μπορεί να διαφέρουν από χώρα σε χώρα.
- Βάρος σύμφωνα με διαδικασία EPTA 01/2003

ENE042-1

Προωρισμένη χρήση

Το εργαλείο προορίζεται για κρουστικό τρυπάνισμα και τρυπάνισμα σε τούβλα, σκυρόδεμα και πέτρα. Είναι επίσης κατάλληλο για τρυπάνισμα χωρίς κρούση σε ξύλο, μέταλλο, κεραμικά και πλαστικά.

ENF002-2

Ρευματοδότηση

Το μηχάνημα πρέπει να συνδέεται μόνο σε παροχή ρεύματος της ίδιας τάσης με αυτή που αναφέρεται στην πινακίδα κατασκευαστού και μπορεί να λειτουργήσει μόνο με εναλλασσόμενο μονοφασικό ρεύμα. Τα μηχανήματα αυτά έχουν διπλή μόνωση και κατά συνέπεια, μπορούν να συνδεθούν σε ακροδέκτες χωρίς σύρμα γείωσης.

GEA010-1

Γενικές προειδοποιήσεις ασφαλείας για το ηλεκτρικό εργαλείο

⚠️ ΠΡΟΕΙΔΟΠΟΙΗΣΗ Διαβάστε όλες τις προειδοποιήσεις ασφαλείας και όλες τις οδηγίες. Η μη τήρηση των προειδοποιήσεων και οδηγιών ενδέχεται να καταλήξει σε ηλεκτροπληξία, πυρκαγιά ή/και σοβαρό τραυματισμό.

Φυλάξτε όλες τις προειδοποιήσεις και τις οδηγίες για μελλοντική παραπομπή.

GEB003-5

ΚΡΟΥΣΤΙΚΟ ΤΡΥΠΑΝΙ — ΠΡΟΕΙΔΟΠΟΙΗΣΕΙΣ ΑΣΦΑΛΕΙΑΣ

1. **Να φοράτε ωασιπίδες όταν κάνετε κρουστικό τρυπάνισμα.** Εκθεση σε θόρυβο μπορεί να προκαλέσει απώλεια ακοής.
2. **Να χρησιμοποιείτε τη/τις βοηθητική(ές) λαβή(ές), εάν παρέχεται(ονται) με το εργαλείο.** Απώλεια ελέγχου μπορεί να προκαλέσει προσωπικό τραυματισμό.
3. **Να κρατάτε τα ηλεκτρικά εργαλεία μόνον από τις μονωμένες επιφάνειες συγκράτησης, κατά την εκτέλεση εργασίας όπου το παρελκόμενο κοπής ενδέχεται να έλθει σε επαφή με κρυφές καλωδιώσεις ή το δικό του καλώδιο τροφοδοσίας.** Σε περίπτωση επαφής του παρελκόμενου κοπής με “ηλεκτροφόρο” καλώδιο, ενδέχεται να εκτεθειμένα μεταλλικά εξαρτήματα του ηλεκτρικού εργαλείου να καταστούν τα ίδια “ηλεκτροφόρα” και να προκαλέσουν ηλεκτροπληξία στο χειριστή.
4. **Πάντατε να είστε σίγουροι ότι πατάτε σταθερά.** Σιγουρευτείτε ότι δεν βρίσκεται κανείς από κάτω όταν χρησιμοποιείτε το μηχάνημα σε υψηλές θέσεις.
5. **Κρατάτε το μηχάνημα σταθερά και με τα δύο χέρια.**
6. **Κρατάτε τα χέρια σας μακριά από τα περιστρεφόμενα μέρη.**
7. **Μην αφήνετε το μηχάνημα να λειτουργεί.** Χρησιμοποιείτε το μηχάνημα μόνο όταν το κρατάτε.

8. Μην αγγίζετε την αιχμή ή κομμάτια κοντά στην αιχμή αμέσως μετά τη λειτουργία, ίσως είναι πάρα πολύ ζεστά και μπορεί να κάψουν το δέρμα σας.
9. Μερικά υλικά περιέχουν χημικά που μπορεί να είναι τοξικά. Προσέχετε να αποφύγετε εισπνοή σκόνης και δερματική επαφή. Ακολουθείτε τα δεδομένα ασφαλείας του προμηθευτή υλικών.

ΦΥΛΑΞΕΤΕ ΑΥΤΕΣ ΤΙΣ ΟΔΗΓΙΕΣ.

⚠ ΠΡΟΕΙΔΟΠΟΙΗΣΗ:

ΜΗΝ επιτρέψετε το βαθμό άνεσης ή εξοικείωσης με το προϊόν (λόγω επανειλημμένης χρήσης) να αντικαταστήσει την αυστηρή τήρηση των κανόνων ασφαλείας του παρόντος εργαλείου. **ΚΑΚΗ ΧΡΗΣΗ** ή αμέλεια να ακολουθήσετε τους κανόνες ασφαλείας που διατυπώνονται σ' αυτό το εγχειρίδιο οδηγιών μπορεί να προκαλέσει σοβαρό προσωπικό τραυματισμό.

ΠΕΡΙΓΡΑΦΗ ΛΕΙΤΟΥΡΓΙΑΣ

⚠ ΠΡΟΣΟΧΗ:

- Πάντοτε βεβαιώνετε ότι το εργαλείο είναι ορθωτό και αποσυνδεδεμένο από το ρεύμα πριν ρυθμίσετε ή ελέγξετε κάποια λειτουργία στο εργαλείο.

Δράση διακόπτη (Εικ. 1 και 2)

⚠ ΠΡΟΣΟΧΗ:

- Πριν βάλετε το εργαλείο στο ρεύμα, πάντοτε ελέγχετε να δείτε ότι η σκανδάλη διακόπτης ενεργοποιείται κατάλληλα και επιστρέφει στη θέση "OFF" όταν ελευθερώνεται.

Για να ξεκινήσει το εργαλείο, απλώς τραβήχτε την σκανδάλη διακόπτη. Η ταχύτητα του εργαλείου αυξάνεται αυξάνοντας την πίεση στην σκανδάλη διακόπτη. Ελευθερώστε την σκανδάλη διακόπτη για να σταματήσει.

Για συνεχή λειτουργία, τραβήχτε την σκανδάλη διακόπτη και μετά σπρώχτε μέσα το κουμπί κλειδώματος.

Για να σταματήσετε το εργαλείο από την θέση κλειδώματος, τραβήχτε την σκανδάλη διακόπτη πλήρως, μετά ελευθερώστε την.

Ενα καντράν ρύθμισης ταχύτητας έχει προβλεφθεί έτσι ώστε η μέγιστη ταχύτητα του εργαλείου μπορεί να περιοριστεί (μεταβλητή). Γυρίστε το καντράν ρύθμισης ταχύτητας δεξιόστροφα για υψηλότερη ταχύτητα και αριστερόστροφα για χαμηλότερη.

Αναμνα λαμπών (Εικ. 3)

Για μοντέλα HP2070F, HP2071F

⚠ ΠΡΟΣΟΧΗ:

- Μη κυττάτε στο φώς ή στην πηγή του φωτός απευθείας.

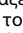
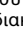
Για να ανάψετε την λάμπα, τραβήχτε την σκανδάλη. Αφήστε την σκανδάλη για να σβήσει.

ΠΑΡΑΤΗΡΗΣΗ:


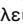
- Χρησιμοποιήστε ένα στεγνό ύφασμα για να σφουγγίσετε την σκόνη από τους φακούς της λάμπας. Προσέχετε να μη γρατσουνίσετε τους φακούς της λάμπας, αλλιώς ο φωτισμός μπορεί να μειωθεί.

- Ποτέ μη χρησιμοποιήσετε βενζίνη ή διαλύτη για το καθάρισμα των φακών του λαμπακιού γιατί θα πάθουν ζημιά.

Λειτουργία διακόπτη αντιστροφής (Εικ. 4)

Αυτό το εργαλείο έχει ένα διακόπτη αντιστροφής για να αλλάξει την διεύθυνση περιστροφής. Μετακινήστε το κουμπί του διακόπτη περιστροφής στη θέση  (Α πλευρά) για δεξιόστροφη περιστροφή ή στη θέση  (Β πλευρά) για αριστερόστροφη περιστροφή.

⚠ ΠΡΟΣΟΧΗ:

- Πάντοτε ελέγχετε την διεύθυνση περιστροφής πριν από την λειτουργία.
- Χρησιμοποιείτε τον διακόπτη περιστροφής μόνο αφού το εργαλείο σταματήσει τελείως. Αλλαγή της διεύθυνσης περιστροφής πριν το εργαλείο σταματήσει μπορεί να προκαλέσει ζημιά στο εργαλείο.
- Εάν η σκανδάλη διακόπτη δεν μπορεί να πατηθεί, ελέγξτε να δείτε ότι ο διακόπτης αντιστροφής είναι ακριβώς τοποθετημένος στη θέση  (πλευρά Α) ή  (πλευρά Β).

Αλλαγή ταχύτητας (Εικ. 5)

Δύο πεδία ταχυτήτων μπορεί να προεπιλεγούν με το κουμπί αλλαγής ταχύτητας.

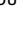
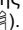
Για αλλαγή ταχύτητας, γυρίστε το κουμπί αλλαγής ταχύτητας έτσι ώστε το βέλος στο σώμα του εργαλείου να δείχνει προς την θέση "I" στο κουμπί χαμηλής ταχύτητας ή στην θέση "II" για υψηλή ταχύτητα.

Εάν είναι δύσκολο να γυρίσετε το κουμπί, πρώτα γυρίστε το σφινκτήρα ελαφρά σε οποιαδήποτε διεύθυνση και μετά γυρίστε το κουμπί.

⚠ ΠΡΟΣΟΧΗ:

- Χρησιμοποιείτε το κουμπί αλλαγής ταχύτητας μόνο αφού το εργαλείο έχει σταματήσει τελείως. Αλλάζοντας την ταχύτητα του εργαλείου πριν αυτό σταματήσει θα προκληθεί ζημιά στο εργαλείο.
- Πάντοτε ρυθμίζετε το κουμπί αλλαγής ταχύτητας στην σωστή θέση λειτουργίας. Εάν λειτουργήσετε το εργαλείο με το κουμπί αλλαγής ταχύτητας τοποθετημένο ενδιάμεσα στις θέσεις "I" και "II", το εργαλείο θα πάθει ζημιά.

Επιλογή τρόπου λειτουργίας (Εικ. 6)

Αυτό το εργαλείο έχει ένα μοχλό αλλαγής τρόπου λειτουργίας. Για περιστροφή με σφυροκόπημα, σύρετε τον μοχλό αλλαγής τρόπου λειτουργίας στα δεξιά (σύμβολο ). Για περιστροφή μόνο, σύρετε τον μοχλό αλλαγής τρόπου λειτουργίας στα αριστερά (σύμβολο ).

⚠ ΠΡΟΣΟΧΗ:

- Πάντοτε σύρετε τον μοχλό αλλαγής τρόπου λειτουργίας ακριβώς στην επιθυμητή θέση λειτουργίας. Εάν λειτουργήσετε το εργαλείο με τον μοχλό τοποθετημένο ενδιάμεσα των συμβόλων λειτουργίας, το εργαλείο θα πάθει ζημιά.

ΣΥΝΑΡΜΟΛΟΓΗΣΗ

⚠ ΠΡΟΣΟΧΗ:

- Πάντοτε βεβαιώνετε ότι το εργαλείο είναι σβηστό και αποσυνδεδεμένο από το ρεύμα πριν εκτελέσετε οποιαδήποτε εργασία με το εργαλείο.

Τοποθέτηση πλάγιας λαβής (βοηθητική λαβή)

(Εικ. 7)

Πάντοτε χρησιμοποιείτε την πλάγια λαβή για σιγουριά ασφάλειας λειτουργίας. Τοποθετήστε την πλάγια λαβή έτσι ώστε οι οδόντες στην λαβή εφαρμόζουν μεταξύ των προεσυχών στον κύλινδρο του εργαλείου.

Μετά σφίχτε το εργαλείο γυρίζοντας το δεξιόστροφα στην επιθυμητή θέση. Μπορεί να περιστραφεί 360° έτσι ώστε να ασφαλίζεται σε κάθε θέση.

Τοποθέτηση ή αφαίρεση αιχμής τρυπανιού

Για μοντέλα HP2070, HP2070F (Εικ. 8)

Για να τοποθετήσετε την αιχμή, βάλτε τη στον σφιγκτήρα όσο βαθειά μπορεί να πάει. Σφίχτε τον σφιγκτήρα με το χέρι. Βάλτε το σταυρόκλειδο σε κάθε μία από τις τρεις τρύπες και σφίχτε δεξιόστροφα. Βεβαιωθείτε ότι σφίγγετε και τις τρεις τρύπες εξ ίσου.

Για να αφαιρέσετε την αιχμή, γυρίστε το σταυρόκλειδο αριστερόστροφα σε μία μόνο τρύπα, μετά χαλαρώστε τον σφιγκτήρα με το χέρι.

Αφού χρησιμοποιήσετε το σταυρόκλειδο, βεβαιωθείτε ότι το επαναφέρατε στην αρχική του θέση.

Για μοντέλα HP2071, HP2071F (Εικ. 9)

Κρατήστε τον δακτύλιο και γυρίστε το μανίκι αριστερόστροφα να ανοίξετε τις σιαγώνες του σφιγκτήρα. Βάλτε την αιχμή στον σφιγκτήρα όσο βαθειά μπορεί να πάει. Κρατάτε τον δακτύλιο σταθερά και γυρίστε το μανίκι δεξιόστροφα για να σφίξετε τον σφιγκτήρα.

Για να αφαιρέσετε την αιχμή, κρατάτε τον δακτύλιο και γυρίστε το μανίκι αριστερόστροφα.

ΠΑΡΑΤΗΡΗΣΗ:

- Εάν ο χωρίς κλειδί σφιγκτήρας τρυπανιού δεν μπορεί να χαλαρωθεί λόγω μιας αιχμής τρυπανιού που έχει πιαστεί μέσα στις σιαγώνες του σφιγκτήρα, χαλαρώστε τον σφιγκτήρα τρυπανιού με τον ακόλουθο τρόπο.

1. Κρατήστε το μανίκι του σφιγκτήρα τρυπανιού σταθερά με μία τανάλια αντλίας νερού ή κάτι παρόμοιο (Παρατήρηση: Μη κρατάτε το τμήμα του δακτυλίου συγκράτησης.)
2. Τοποθετείστε το κλειδί 19, κλειδί ρυθμιζόμενης ή κάποιο άλλο κατάλληλο κλειδί στο εξάγωνο παξιμάδι στο εμπρόσθιο μέρος του σφιγκτήρα τρυπανιού. Γυρίστε το κλειδί δεξιόστροφα όπως φαίνεται στην **Εικ. 10** για να χαλαρώσετε τον σφιγκτήρα τρυπανιού.

Μετρητής βάθους (Εικ. 11)

Ο μετρητής βάθους είναι βολικός για άνοιγμα τρυπών ομοιόμορφου βάθους. Χαλαρώστε την πλάγια λαβή και βάλτε τον μετρητή βάθους στην τρύπα στην πλάγια λαβή. Ρυθμίστε τον μετρητή βάθους στο επιθυμητό βάθος και σφίχτε την πλάγια λαβή.

ΠΑΡΑΤΗΡΗΣΗ:

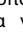
- Ο μετρητής βάθους δεν μπορεί να χρησιμοποιηθεί στην θέση όπου ο μετρητής βάθους χτυπάει στο περίβλημα τροχών μηχανισμού.

ΛΕΙΤΟΥΡΓΙΑ

Λειτουργία κρουστικού τρυπανίσματος

⚠ ΠΡΟΣΟΧΗ:

- Μία τρομερή και ξαφνική στροφική δύναμη εξασκείται στο εργαλείο/αιχμή την στιγμή διαπέρασης του υλικού, όταν η τρύπα βουλώνει με τεμαχίδια και σωματίδια, ή όταν χτυπάει σε ενισχυτικές ράβδους ενσωματωμένες στο τσιμέντο. Πάντοτε χρησιμοποιείτε την πλάγια λαβή (βοηθητική λαβή) και κρατάτε το εργαλείο σταθερά και από τις δύο λαβές, πλάγια και λαβή διακόπτη κατά την λειτουργία. Αμέλεια να το κάνετε μπορεί να έχει ως αποτέλεσμα απώλεια ελέγχου του εργαλείου και πιθανώς σοβαρό τραυματισμό.

Όταν τρυπανίζετε σε σκυρόδεμα, γرانίτη, κεραμικά, κλπ., μετακινείτε τον μχλό αλλαγής τρόπου λειτουργίας στη θέση του συμβόλου  για να χρησιμοποιήσετε τη λειτουργία “περιστροφή με σφυροκόπημα”.

Σιγουρευτείτε ότι χρησιμοποιείτε αιχμή με άκρο βολφραμίου-καρβιδίου.

Τοποθετήστε την αιχμή στην επιθυμητή θέση για την τρύπα, μετά τραβήχτε τηνσκανδάλη διακόπτη. Μην εξαναγκάζετε το εργαλείο. Η ελαφρά πίεση αποδίδει τα καλύτερα αποτελέσματα. Κρατάτε το εργαλείο στην θέση του και εμποδίστε το να γλυστρήσει έξω από την τρύπα.

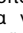
Μην εφαρμόζετε μεγαλύτερη πίεση όταν η τρύπα βουλώνει από αποκοπίδια ή τεμαχίδια. Αντίθετα, λειτουργείτε το εργαλείο στο ραλαντί, και μετά τραβήχτε την αιχμή ελαφρά από την τρύπα. Επαναλαμβάνοντας αυτό αρκετές φορές θα καθαρίσει την τρύπα και το κανονικό τρυπάνισμα μπορεί να ξαναρχίσει.

Κεφαλή φυσητήρα (προαιρετικό εξάρτημα)

(Εικ. 12)

Αφού κάνετε την τρύπα, χρησιμοποιήστε την κεφαλή φυσητήρα για να καθαρίσετε την σκόνη από την τρύπα.

Λειτουργία τρυπανίσματος

Όταν τρυπανίζετε σε ξύλο, μέταλλο ή πλαστικά υλικά, μετακινείτε τον μχλό αλλαγής τρόπου λειτουργίας στην θέση του συμβόλου  για να χρησιμοποιήσετε λειτουργία “μόνο περιστροφής”.

Τρυπάνισμα σε ξύλο

Όταν τρυπανίζετε σε ξύλο, τα καλύτερα αποτελέσματα επιτυγχάνονται με ξύλινα τρυπάνια εφωδιασμένα με μία βίδα οδηγό. Η βίδα οδηγός κάνει το τρυπάνισμα ευκολότερο γιατί τραβεί την αιχμή μέσα στο αντικείμενο εργασίας.

Τρυπάνισμα σε μέταλλο

Για να μη γλυστράει η αιχμή όταν αρχίζετε μία τρύπα, κάνετε ένα βαθούλωμα με ένα μυτερό καλξιμι και σφυρί στο σημείο τρυπανίσματος. Βάλτε το άκρο της αιχμής στο βαθούλωμα και αρχίστε το τρυπάνισμα.

Χρησιμοποιείτε ένα λιπαντικό κοπής όταν τρυπάτε μέταλλα. Οι εξαιρέσεις είναι ο σίδηρος και ο ορείχαλκος που πρέπει να τρυπανίζονται στεγνά.

⚠ ΠΡΟΣΟΧΗ:

- Πιέζοντας υπερβολικά το εργαλείο δεν θα επιταχύνει το τρυπάνισμα. Στη πραγματικότητα, Η υπερβολική πίεση θα κάνει ζημιά στο άκρο της αιχμής, θα ελαττώσει την απόδοση του εργαλείου και θα επιβραδύνει τον ωφέλιμο χρόνο ζωής του εργαλείου.
- Μία τρομερή δύναμη εξασκείται στο εργαλείο/ αιχμή την στιγμή διαπέρασης του υλικού. Κρατάτε το εργαλείο σταθερά και εντείνετε την προσοχή σας όταν η αιχμή αρχίζει να διαπερνά το αντικείμενο εργασίας.
- Μία ακινητοποιημένη αιχμή μπορεί να αφαιρεθεί απλά ρυθμίζοντας τον διακόπτη αντιστροφής σε αντίστροφη περιστροφή ώστε να εξαχθεί προς τα πίσω. Όμως το εργαλείο μπορεί να τιναχθεί προς τα πίσω απότομα εάν δεν το κρατάτε σταθερά.
- Πάντοτε ασφαλιζετε ένα μικρό αντικείμενο εργασίας με μία μέγερη ή παρόμοια συσκευή ακινητοποίησης.

ΣΥΝΤΗΡΗΣΗ

⚠ ΠΡΟΣΟΧΗ:

- Πάντοτε βεβαιώνετε ότι το εργαλείο είναι σβηστό και αποσυνδεδεμένο από το ρεύμα πριν επιχειρήσετε να εκτελέσετε επιθεώρηση ή συντήρηση.
- Μην χρησιμοποιείτε ποτέ βενζίνη, πετρελαϊκό αιθέρα, διαλυτικό, αλκοόλη ή παρόμοιες ουσίες. Ενδέχεται να προκαληθεί αποχρωματισμός, παραμόρφωση ή ρωγμές.

Λάμπα ένδειξης (Εικ. 13)

Η πράσινη λάμπα ένδειξης ON ανάβει όταν το εργαλείο ενεργοποιηθεί. Εάν η λάμπα ένδειξης είναι αναμμένη αλλά το εργαλείο δεν ξεκινά, οι ψήκτρες άνθρακα μπορεί να είναι φθαρμένες, ή το ηλεκτρικό κύκλωμα του κινητήρα μπορεί να είναι ελαττωματικό. Εάν η λάμπα ένδειξης δεν ανάβει και το εργαλείο δεν ξεκινά, ο διακόπτης ON/OFF ή το καλώδιο ρεύματος μπορεί να είναι ελαττωματικά. Η κόκκινη λάμπα ένδειξης συντήρησης ανάβει όταν το εργαλείο είναι υπερβολικά φορτωμένο. Συνέχιση της λειτουργίας κάτω από τέτοιες συνθήκες θα προκαλέσει βλάβη ή κατάρρευση του εργαλείου. Σε τέτοια περίπτωση, ψύξτε το εργαλείο βάζοντας το σε λειτουργία χωρίς φορτίο.

Καθάρισμα τρυπών εξαερισμού (Εικ. 14 και 15)

Το εργαλείο και οι τρύπες κεξαερισμού πρέπει να διατηρούνται καθαρές. Καθαρίζετε τακτικά τις τρύπες εξαερισμού του εργαλείου ή όποτε αρχίζουν να βουλώνουν.

Για την διατήρηση της ΑΣΦΑΛΕΙΑΣ και ΑΞΙΟΠΙΣΤΙΑΣ του προϊόντος, επισκευές, έλεγχος και αντικατάσταση των ψηκτών άνθρακα, οποιαδήποτε άλλη συντήρηση ή ρύθμιση, πρέπει να εκτελούνται από Κέντρα Εξυπηρέτησης Εργοστασίου ή Κέντρα Εξουσιοδοτημένα από την Μάκιτα, πάντοτε με την χρησιμοποίηση ανταλλακτικών Μάκιτα.

ΠΡΟΑΙΡΕΤΙΚΑ ΕΞΑΡΤΗΜΑΤΑ

⚠ ΠΡΟΣΟΧΗ:

- Αυτά τα εξαρτήματα ή προσαρτήματα συνιστώνται για χρήση με το εργαλείο σας της Μάκιτα που καθορίζεται στο εγχειρίδιο αυτό. Η χρήση οτιδήποτε άλλων εξαρτημάτων ή προσαρτημάτων μπορεί να δημιουργήσει κίνδυνο τραυματισμού ατόμων. Χρησιμοποιείτε μόνο εξαρτήματα ή προσαρτήματα μόνο για το σκοπό που προορίζονται.

Εάν χρειάζεστε κάποια βοήθεια για περισσότερες πληροφορίες που αφορούν στα εξαρτήματα αυτά, αποτανθείτε στο τοπικό σας κέντρο εξυπηρέτησης Μάκιτα.

- Αιχμή με άκρο βολφραμίου-καρβιδίου
- Πριόνια τρυπών
- Κεφαλή φυσητήρα
- Ματογυάλια ασφάλειας
- Σφιγκτήρας τρυπανιού χωρίς κλειδί 13
- Σταυρόκλειδο
- Σύνολο λαβής
- Μετρητής βάθους
- Πλαστική θήκη μεταφοράς

ΠΑΡΑΤΗΡΗΣΗ:

- Μερικά στοιχεία στη λίστα μπορεί να συμπεριλαμβάνονται στη συσκευασία εργαλείου ως στάνταρ εξαρτήματα. Μπορεί να διαφέρουν ανάλογα με τη χώρα.

ENG905-1

Θόρυβος

Το τοπικό Α επίπεδο μετρημένου θορύβου καθορίζεται σύμφωνα με το EN60745:

Στάθμη πίεσης ήχου (L_{pA}): 99 dB (A)

Στάθμη δύναμης ήχου (L_{WA}): 110 dB (A)

Αβεβαιότητα (K): 3 dB (A)

Φοράτε ωτοασπίδες

ENG900-1

Κραδασμός

Η ολική τιμή δόνησης (άθροισμα τρι-αξονικού διανύσματος) καθορίζεται σύμφωνα με το EN60745:

Είδος εργασίας: Κρουστικό τρυπάνισμα σε σκυρόδεμα

Εκπομπή δόνησης ($a_{h,D}$): 16,0 m/s²

Αβεβαιότητα (K): 1,5 m/s²

Είδος εργασίας: Τρυπάνισμα σε μέταλλο

Εκπομπή δόνησης ($a_{h,D}$): 2,5 m/s²

Αβεβαιότητα (K): 1,5 m/s²

ENG901-1

- Η δηλωμένη τιμή εκπομπής κραδασμών έχει μετρηθεί σύμφωνα με την πρότυπη μέθοδο δοκιμής και μπορεί να χρησιμοποιηθεί για τη σύγκριση ενός εργαλείου με άλλο.
- Η δηλωμένη τιμή εκπομπής κραδασμών μπορεί να χρησιμοποιηθεί και στην προκαταρκτική αξιολόγηση έκθεσης.

⚠️ ΠΡΟΕΙΔΟΠΟΙΗΣΗ:

- Η εκπομπή κραδασμών κατά τη χρήση του ηλεκτρικού εργαλείου σε πραγματικές συνθήκες μπορεί να διαφέρει από τη δηλωμένη τιμή εκπομπής ανάλογα με τον τρόπο χρήσης του εργαλείου.
- Φροντίστε να λάβετε τα κατάλληλα μέτρα προστασίας του χειριστή βάσει υπολογισμού της έκθεσης σε πραγματικές συνθήκες χρήσης (λαμβάνοντας υπόψη όλες τις συνιστώσες του κύκλου λειτουργίας όπως τους χρόνους που το εργαλείο είναι εκτός λειτουργίας και όταν βρίσκεται σε αδρανή λειτουργία πέραν του χρόνου ενεργοποίησης).

ENH101-15

Μόνο για χώρες της Ευρώπης

Δήλωση Συμμόρφωσης ΕΚ

Η Makita Corporation, ως ο υπεύθυνος κατασκευαστής, δηλώνει ότι το/τα ακόλουθο(α) μηχάνημα(τα) της Makita:

Χαρακτηρισμός μηχανήματος:

2 Κρουστικό τρυπάνι ταχύτητας

Αρ. μοντέλου/Τύπος: HP2070, HP2070F, HP2071, HP2071F

είναι εν σειρά παραγωγή και

συμμορφώνονται με τις ακόλουθες Ευρωπαϊκές Οδηγίες:

2006/42/ΕΚ

και κατασκευάζονται σύμφωνα με τα ακόλουθα πρότυπα ή έγγραφα τυποποίησης:

EN60745

Η τεχνική τεκμηρίωση φυλάσσεται από τον εξουσιοδοτημένο εκπρόσωπό μας στην Ευρώπη, δηλαδή τη

Makita International Europe Ltd.

Michigan Drive, Tongwell,

Milton Keynes, Bucks MK15 8JD, England (Αγγλία)

30.1.2009



Tomoyasu Kato

Διευθυντής

Makita Corporation

3-11-8, Sumiyoshi-cho,

Anjo, Aichi, 446-8502, JAPAN

Makita Corporation

Anjo, Aichi, Japan