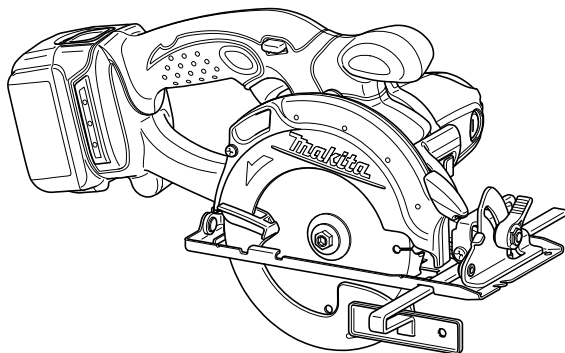




<b>GB</b>	<b>Cordless Circular Saw</b>	<b>Instruction manual</b>
<b>F</b>	<b>Scie circulaire sans fil</b>	<b>Manuel d'instructions</b>
<b>D</b>	<b>Akku-Kreissäge</b>	<b>Betriebsanleitung</b>
<b>I</b>	<b>Sega circolare a batteria</b>	<b>Istruzioni per l'uso</b>
<b>NL</b>	<b>Accucirkelzaag</b>	<b>Gebruiksaanwijzing</b>
<b>E</b>	<b>Sierra circular sin cable</b>	<b>Manual de instrucciones</b>
<b>P</b>	<b>Serra circular sem fios</b>	<b>Manual de instruções</b>
<b>DK</b>	<b>Ledningsfri rundsav</b>	<b>Brugsanvisning</b>
<b>GR</b>	<b>Φορητό δισκοπρίονο</b>	<b>Οδηγίες χρήσης</b>

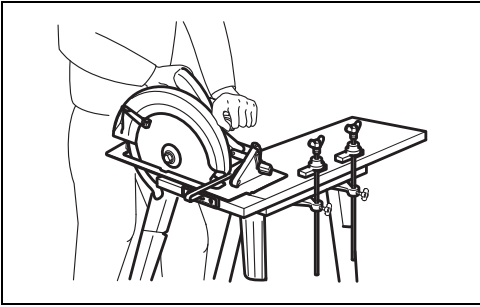
# **DSS500**

# **DSS501**



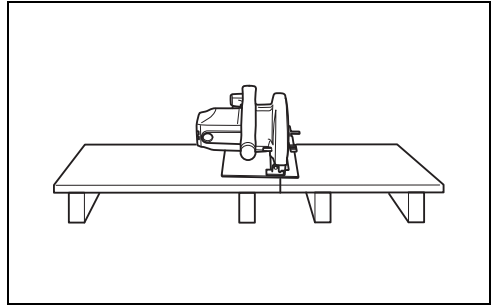
007968





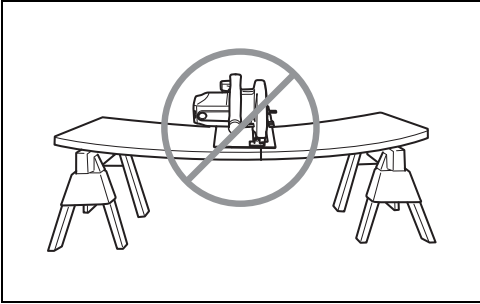
1

000186



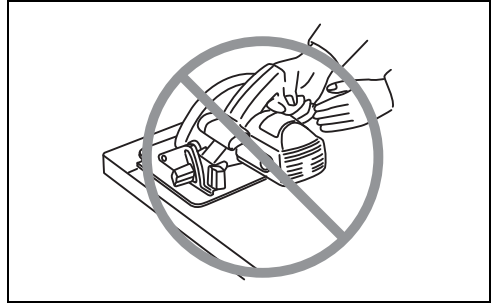
2

000154



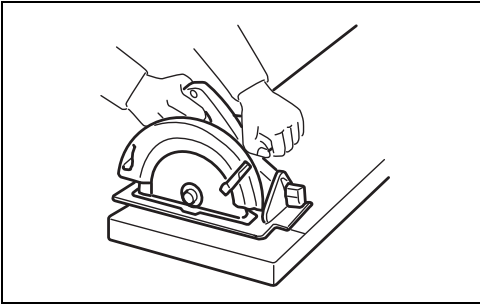
3

000156



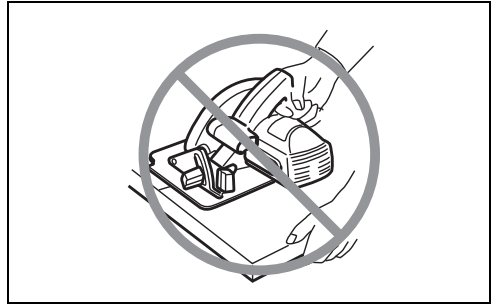
4

000194



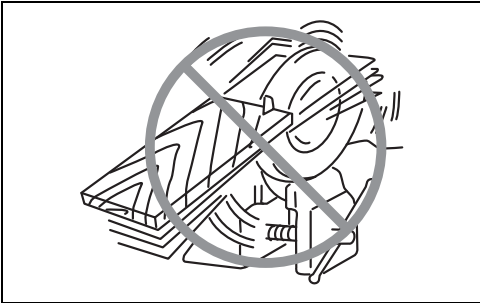
5

000147



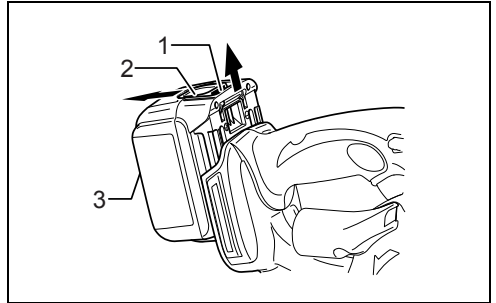
6

000150



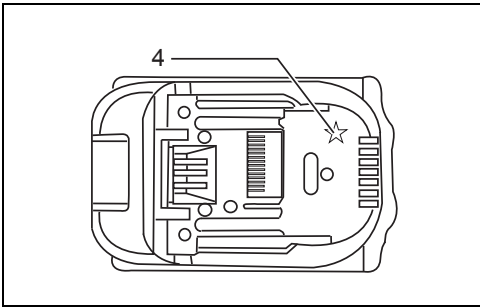
7

000029



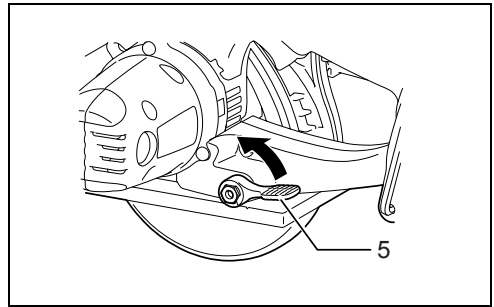
8

013772



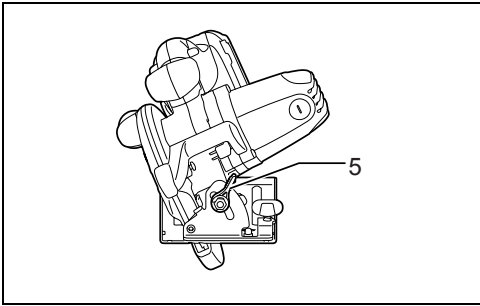
**9**

012128



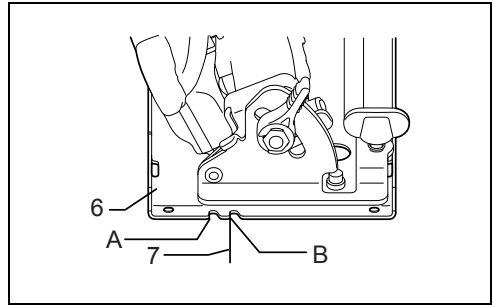
**10**

007970



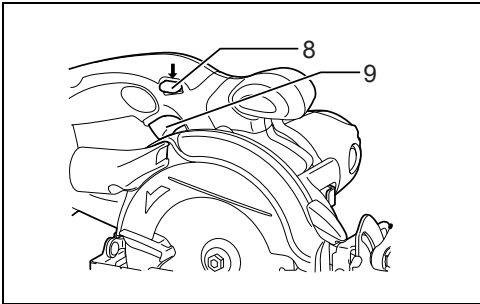
**11**

007971



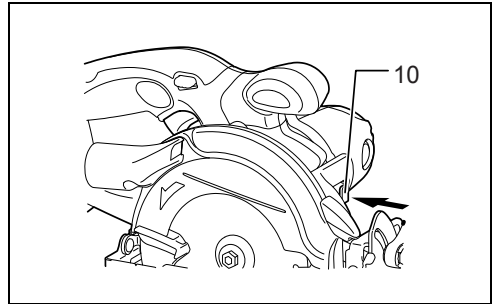
**12**

007972



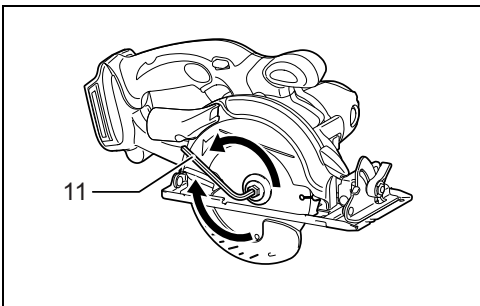
**13**

008050



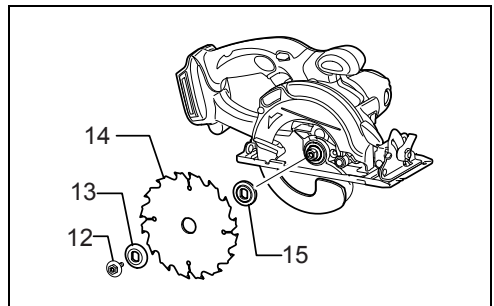
**14**

007973



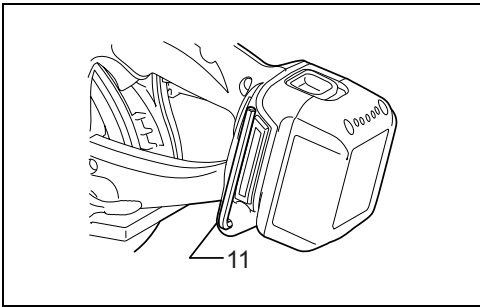
**15**

007974



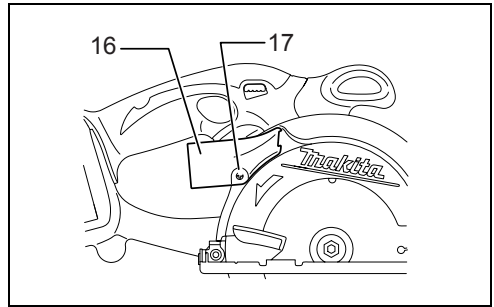
**16**

007975



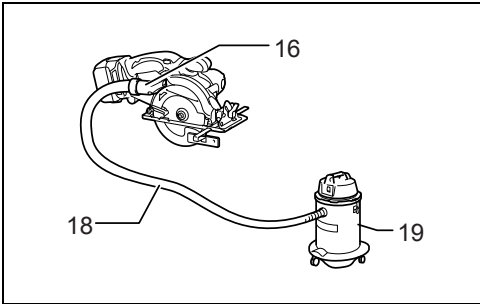
**17**

007976



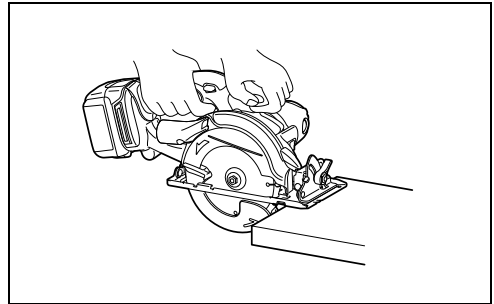
**18**

007977



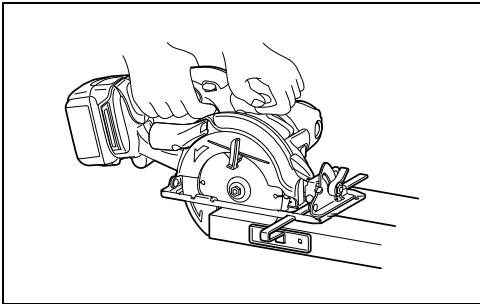
**19**

007978



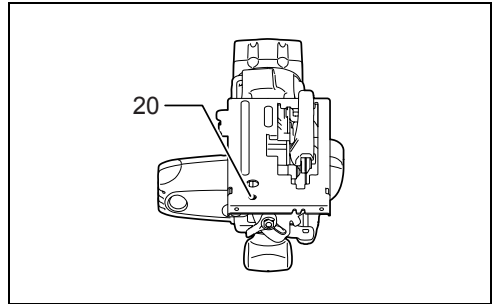
**20**

007979



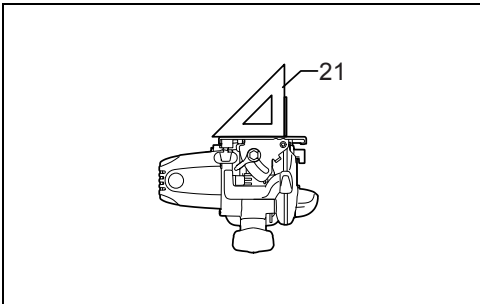
**21**

007980



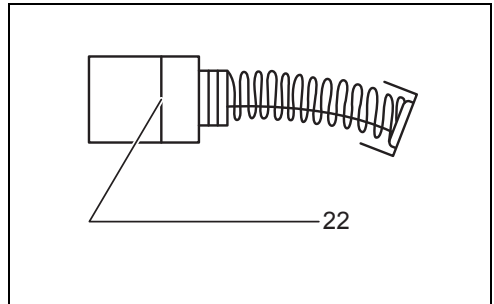
**22**

007981



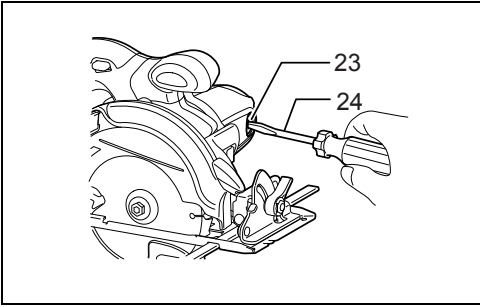
**23**

007982



**24**

001145



**25**

007983

## ENGLISH (Original instructions)

### Explanation of general view

- |                      |                   |                             |
|----------------------|-------------------|-----------------------------|
| 1. Red indicator     | 9. Switch trigger | 17. Screw                   |
| 2. Button            | 10. Shaft lock    | 18. Hose                    |
| 3. Battery cartridge | 11. Hex wrench    | 19. Vacuum cleaner          |
| 4. Star marking      | 12. Hex bolt      | 20. Adjusting screw for 90° |
| 5. Lever             | 13. Outer flange  | 21. Triangular rule         |
| 6. Base              | 14. Saw blade     | 22. Limit mark              |
| 7. Cutting line      | 15. Inner flange  | 23. Brush holder cap        |
| 8. Lock-off lever    | 16. Dust nozzle   | 24. Screwdriver             |

## SPECIFICATIONS

Model	DSS500	DSS501
Blade diameter	136 mm	
Max. Cutting depth	at 90°	51 mm
	at 45°	35 mm
No load speed (min <sup>-1</sup> )	3,600	
Overall length	359 mm	364 mm
Net weight	2.6 kg	2.7 kg
Rated voltage	D.C. 14.4V	D.C. 18V

- Due to our continuing program of research and development, the specifications herein are subject to change without notice.
- Specifications and battery cartridge may differ from country to country.
- Weight, with battery cartridge, according to EPTA-Procedure 01/2003

### Intended use

ENE028-1

The tool is intended for performing lengthways and crossways straight cuts and mitre cuts with angles in wood while in firm contact with the workpiece.

## General Power Tool Safety Warnings

GEA010-1

**⚠ WARNING** Read all safety warnings and all instructions. Failure to follow the warnings and instructions may result in electric shock, fire and/or serious injury.

## Save all warnings and instructions for future reference.

## CORDLESS CIRCULAR SAW SAFETY WARNINGS

GEB061-4

### Cutting procedures

1. **⚠ DANGER:** Keep hands away from cutting area and the blade. Keep your second hand on auxiliary handle, or motor housing. If both hands are holding the saw, they cannot be cut by the blade.
2. **Do not reach underneath the workpiece.** The guard cannot protect you from the blade below the workpiece.
3. **Adjust the cutting depth to the thickness of the workpiece.** Less than a full tooth of the blade teeth should be visible below the workpiece.
4. **Never hold piece being cut in your hands or across your leg. Secure the workpiece to a stable**

**platform.** It is important to support the work properly to minimize body exposure, blade binding, or loss of control.

**A typical illustration of proper hand support and workpiece support. (Fig. 1)**

5. **Hold the power tool by insulated gripping surfaces only, when performing an operation where the cutting tool may contact hidden wiring.** Contact with a "live" wire will also make exposed metal parts of the power tool "live" and could give the operator an electric shock.
6. **When ripping, always use a rip fence or straight edge guide.** This improves the accuracy of cut and reduces the chance of blade binding.
7. **Always use blades with correct size and shape (diamond versus round) of arbour holes.** Blades that do not match the mounting hardware of the saw will run eccentrically, causing loss of control.
8. **Never use damaged or incorrect blade washers or bolt.** The blade washers and bolt were specially designed for your saw, for optimum performance and safety of operation.

### Kickback causes and related warnings

- kickback is a sudden reaction to a pinched, bound or misaligned saw blade, causing an uncontrolled saw to lift up and out of the workpiece toward the operator;
- when the blade is pinched or bound tightly by the kerf closing down, the blade stalls and the motor reaction drives the unit rapidly back toward the operator;
- if the blade becomes twisted or misaligned in the cut, the teeth at the back edge of the blade can dig into the top surface of the wood causing the blade to climb out of the kerf and jump back toward the operator.

Kickback is the result of saw misuse and/or incorrect operating procedures or conditions and can be avoided by taking proper precautions as given below.

9. **Maintain a firm grip with both hands on the saw and position your arms to resist kickback forces. Position your body to either side of the blade, but not in line with the blade.** Kickback could cause the saw to jump backwards, but kickback forces can be controlled by the operator, if proper precautions are taken.
10. **When blade is binding, or when interrupting a cut for any reason, release the trigger and hold the saw motionless in the material until the blade comes to a complete stop. Never attempt to remove the saw from the work or pull the saw backward while the blade is in motion or kickback may occur.** Investigate and take corrective actions to eliminate the cause of blade binding.
11. **When restarting a saw in the workpiece, centre the saw blade in the kerf and check that saw teeth are not engaged into the material.** If saw blade is binding, it may walk up or kickback from the workpiece as the saw is restarted.
12. **Support large panels to minimise the risk of blade pinching and kickback.** Large panels tend to sag under their own weight. Supports must be placed under the panel on both sides, near the line of cut and near the edge of the panel.  
**To avoid kickback, do support board or panel near the cut. (Fig. 2)**  
**Do not support board or panel away from the cut. (Fig. 3)**
13. **Do not use dull or damaged blades.** Unsharpened or improperly set blades produce narrow kerf causing excessive friction, blade binding and kickback.
14. **Blade depth and bevel adjusting locking levers must be tight and secure before making cut.** If blade adjustment shifts while cutting, it may cause binding and kickback.
15. **Use extra caution when sawing into existing walls or other blind areas.** The protruding blade may cut objects that can cause kickback.
16. **ALWAYS hold the tool firmly with both hands. NEVER place your hand or fingers behind the saw.** If kickback occurs, the saw could easily jump backwards over your hand, leading to serious personal injury. (Fig. 4)
17. **Never force the saw. Push the saw forward at a speed so that the blade cuts without slowing.** Forcing the saw can cause uneven cuts, loss of accuracy, and possible kickback.

#### Lower guard function

18. **Check lower guard for proper closing before each use. Do not operate the saw if lower guard does not move freely and close instantly. Never clamp or tie the lower guard into the open position.** If saw is accidentally dropped, lower guard may be bent. Raise the lower guard with the retracting handle and make sure it moves freely and does not touch the blade or any other part, in all angles and depths of cut.
19. **Check the operation of the lower guard spring. If the guard and the spring are not operating properly, they must be serviced before use.** Lower

guard may operate sluggishly due to damaged parts, gummy deposits, or a build-up of debris.

20. **Lower guard may be retracted manually only for special cuts such as “plunge cuts” and “compound cuts”.** Raise lower guard by retracting handle and as soon as blade enters the material, the lower guard must be released. For all other sawing, the lower guard should operate automatically.
21. **Always observe that the lower guard is covering the blade before placing saw down on bench or floor.** An unprotected, coasting blade will cause the saw to walk backwards, cutting whatever is in its path. Be aware of the time it takes for the blade to stop after switch is released.
22. **To check lower guard, open lower guard by hand, then release and watch guard closure. Also check to see that retracting handle does not touch tool housing.** Leaving blade exposed is VERY DANGEROUS and can lead to serious personal injury.

#### Additional safety warnings

23. **Use extra caution when cutting damp wood, pressure treated lumber, or wood containing knots.** Maintain smooth advancement of tool without decrease in blade speed to avoid overheating the blade tips.
24. **Do not attempt to remove cut material when blade is moving. Wait until blade stops before grasping cut material.** Blades coast after turn off.
25. **Avoid cutting nails. Inspect for and remove all nails from lumber before cutting.**
26. **Place the wider portion of the saw base on that part of the workpiece which is solidly supported, not on the section that will fall off when the cut is made. As examples, Fig. 5 illustrates the RIGHT way to cut off the end of a board, and Fig. 6 the WRONG way. If the workpiece is short or small, clamp it down. DO NOT TRY TO HOLD SHORT PIECES BY HAND! (Fig. 5 & 6)**
27. **Before setting the tool down after completing a cut, be sure that the lower guard has closed and the blade has come to a complete stop.**
28. **Never attempt to saw with the circular saw held upside down in a vise. This is extremely dangerous and can lead to serious accidents. (Fig. 7)**
29. **Some material contains chemicals which may be toxic. Take caution to prevent dust inhalation and skin contact. Follow material supplier safety data.**
30. **Do not stop the blades by lateral pressure on the saw blade.**
31. **Always use blades recommended in this manual. Do not use any abrasive wheels.**
32. **Keep blade sharp and clean.** Gum and wood pitch hardened on blades slows saw and increases potential for kickback. Keep blade clean by first removing it from tool, then cleaning it with gum and pitch remover, hot water or kerosene. Never use gasoline.
33. **Wear a dust mask and hearing protection when use the tool.**

# SAVE THESE INSTRUCTIONS.

## WARNING:

DO NOT let comfort or familiarity with product (gained from repeated use) replace strict adherence to safety rules for the subject product. MISUSE or failure to follow the safety rules stated in this instruction manual may cause serious personal injury.

# IMPORTANT SAFETY INSTRUCTIONS

ENC007-8

## FOR BATTERY CARTRIDGE

1. Before using battery cartridge, read all instructions and cautionary markings on (1) battery charger, (2) battery, and (3) product using battery.
2. Do not disassemble battery cartridge.
3. If operating time has become excessively shorter, stop operating immediately. It may result in a risk of overheating, possible burns and even an explosion.
4. If electrolyte gets into your eyes, rinse them out with clear water and seek medical attention right away. It may result in loss of your eyesight.
5. Do not short the battery cartridge:
  - (1) Do not touch the terminals with any conductive material.
  - (2) Avoid storing battery cartridge in a container with other metal objects such as nails, coins, etc.
  - (3) Do not expose battery cartridge to water or rain.

A battery short can cause a large current flow, overheating, possible burns and even a breakdown.

6. Do not store the tool and battery cartridge in locations where the temperature may reach or exceed 50°C (122°F).
7. Do not incinerate the battery cartridge even if it is severely damaged or is completely worn out. The battery cartridge can explode in a fire.
8. Be careful not to drop or strike battery.
9. Do not use a damaged battery.
10. Follow your local regulations relating to disposal of battery.

# SAVE THESE INSTRUCTIONS.

## Tips for maintaining maximum battery life

1. Charge the battery cartridge before completely discharged.  
Always stop tool operation and charge the battery cartridge when you notice less tool power.
2. Never recharge a fully charged battery cartridge. Overcharging shortens the battery service life.
3. Charge the battery cartridge with room temperature at 10°C - 40°C (50°F - 104°F). Let a hot battery cartridge cool down before charging it.
4. Charge the battery cartridge once in every six months if you do not use it for a long period of time.

# FUNCTIONAL DESCRIPTION

## CAUTION:

- Always be sure that the tool is switched off and the battery cartridge is removed before adjusting or checking function on the tool.

## Installing or removing battery cartridge (Fig. 8)

### CAUTION:

- Always switch off the tool before installing or removing of the battery cartridge.
- **Hold the tool and the battery cartridge firmly when installing or removing battery cartridge.** Failure to hold the tool and the battery cartridge firmly may cause them to slip off your hands and result in damage to the tool and battery cartridge and a personal injury.

To remove the battery cartridge, slide it from the tool while sliding the button on the front of the cartridge.

To install the battery cartridge, align the tongue on the battery cartridge with the groove in the housing and slip it into place. Insert it all the way until it locks in place with a little click. If you can see the red indicator on the upper side of the button, it is not locked completely.

### CAUTION:

- Always install the battery cartridge fully until the red indicator cannot be seen. If not, it may accidentally fall out of the tool, causing injury to you or someone around you.
- Do not install the battery cartridge forcibly. If the cartridge does not slide in easily, it is not being inserted correctly.

## Battery protection system (Lithium-ion battery with star marking) (Fig. 9)

Lithium-ion batteries with a star marking are equipped with a protection system. This system automatically cuts off power to the tool to extend battery life.

The tool will automatically stop during operation if the tool and/or battery are placed under one of the following conditions:

- Overloaded:
  - The tool is operated in a manner that causes it to draw an abnormally high current.
  - In this situation, release the switch trigger on the tool and stop the application that caused the tool to become overloaded. Then pull the switch trigger again to restart.
  - If the tool does not start, the battery is overheated. In this situation, let the battery cool before pulling the switch trigger again.
- Low battery voltage:
  - The remaining battery capacity is too low and the tool will not operate. In this situation, remove and recharge the battery.

## Adjusting depth of cut (Fig. 10)

### CAUTION:

- After adjusting the depth of cut, always tighten the lever securely.

Loosen the lever on the side of the rear handle and move the base up or down. At the desired depth of cut, secure the base by tightening the lever.



For cleaner, safer cuts, set cut depth so that no more than one blade tooth projects below workpiece. Using proper cut depth helps to reduce potential for dangerous KICKBACKS which can cause personal injury.

### Bevel cutting (Fig. 11)

Loosen the lever on the bebel scale plate on the front base. Set for the desired angle (0° - 50°) by tilting accordingly, then tighten the lever securely.

### Sighting (Fig. 12)

For straight cuts, align the A position on the front of the base with your cutting line. For 45° bevel cuts, align the B position with it.

### Switch action (Fig. 13)

#### CAUTION:

- Before inserting the battery cartridge into the tool, always check to see that the switch trigger actuates properly and returns to the "OFF" position when released.
- Do not pull the switch trigger hard without pressing the lock-off lever. This can cause switch breakage.

To prevent the switch trigger from being accidentally pulled, a lock-off lever is provided. To start the tool, press the lock-off lever and pull the switch trigger. Release the switch trigger to stop.

#### WARNING:

- For your safety, this tool is equipped with lock-off lever which prevents the tool from unintended starting. NEVER use the tool if it runs when you simply pull the switch trigger without pressing the lock-off lever. Return tool a MAKITA service center for proper repairs BEFORE further usage.
- NEVER tape down or defeat purpose and function of lock-off lever.

### Lighting the lamp

#### CAUTION:

- Do not look in the light or see the source of light directly.

Only to turn on the light, pull the switch trigger without pressing the lock-off lever. To turn on the light and run the tool, press the lock-off lever and pull the switch trigger with the lock-off lever being pressed.

#### NOTE:

- Use a cotton stick to wipe the dirt off the lens of lamp. Be careful not to scratch the lens of lamp, or it may lower the illumination.
- Do not use gasoline, thinner or the like to clean the lens of lamp. Using such substances will damage the lens.

## ASSEMBLY

#### CAUTION:

- Always be sure that the tool is switched off and the battery cartridge is removed before carrying out any work on the tool.

### Removing or installing blade (Fig. 14 & 15)

#### CAUTION:

- Be sure the blade is installed with teeth pointing up at the front of the tool.

- Use only the Makita wrench to install or remove the blade.

To remove the blade, press the shaft lock so that the blade cannot revolve and use the wrench to loosen the hex bolt counterclockwise. Then remove the hex bolt, outer flange and blade.

To install the blade, follow the removal procedure in reverse. BE SURE TO TIGHTEN THE HEX BOLT CLOCKWISE SECURELY. (Fig. 16)

When changing blade, make sure to also clean upper and lower blade guards of accumulated chips and particles. Such efforts do not, however, replace the need to check lower guard operation before each use.

### Hex wrench storage (Fig. 17)

When not in use, store the hex wrench as shown in the figure to keep it from being lost.

### Connecting a vacuum cleaner (Fig. 18 & 19)

When you wish to perform clean cutting operation, connect a Makita vacuum cleaner to your tool. Install the dust nozzle on the tool using the screw. Then connect a hose of the vacuum cleaner to the dust nozzle as shown in the figure.

## OPERATION

#### CAUTION:

- Always insert the battery cartridge all the way until it locks in place. If you can see the red part on the upper side of the button, it is not locked completely. Insert it fully until the red part cannot be seen. If not, it may accidentally fall out of the tool, causing injury to you or someone around you.
- Be sure to move the tool forward in a straight line gently. Forcing or twisting the tool will result in overheating the motor and dangerous kickback, possibly causing severe injury.
- If the tool is operated continuously until the battery cartridge has discharged, allow the tool to rest for 15 minutes before proceeding with a fresh battery. (Fig. 20)

Hold the tool firmly. The tool is provided with both a front grip and rear handle. Use both to best grasp the tool. If both hands are holding saw, they cannot be cut by the blade. Set the base on the workpiece to be cut without the blade making any contact. Then turn the tool on and wait until the blade attains full speed. Now simply move the tool forward over the workpiece surface, keeping it flat and advancing smoothly until the sawing is completed. To get clean cuts, keep your sawing line straight and your speed of advance uniform. If the cut fails to properly follow your intended cut line, do not attempt to turn or force the tool back to the cut line. Doing so may bind the blade and lead to dangerous kickback and possible serious injury. Release switch, wait for blade to stop and then withdraw tool. Realign tool on new cut line, and start cut again. Attempt to avoid positioning which exposes operator to chips and wood dust being ejected from saw. Use eye protection to help avoid injury.

## Rip fence (guide rule) (Accessory) (Fig. 21)

The handy rip fence allows you to do extra-accurate straight cuts. Simply slide the rip fence up snugly against the side of the workpiece and secure it in position with the screw on the front of the base. It also makes repeated cuts of uniform width possible.

## MAINTENANCE

### CAUTION:

- Always be sure that the tool is switched off and the battery cartridge is removed before attempting to perform inspection or maintenance.
- Never use gasoline, benzine, thinner, alcohol or the like. Discoloration, deformation or cracks may result.

## Adjusting for accuracy of 90° cut (vertical cut)

This adjustment has been made at the factory. But if it is off, adjust the adjusting screws with a hex wrench while inspecting 90° the blade with the base using a triangular rule or square rule, etc. (Fig. 22 & 23)

## Replacing carbon brushes (Fig. 24)

Remove and check the carbon brushes regularly. Replace when they wear down to the limit mark. Keep the carbon brushes clean and free to slip in the holders. Both carbon brushes should be replaced at the same time. Use only identical carbon brushes.

Use a screwdriver to remove the brush holder caps. Take out the worn carbon brushes, insert the new ones and secure the brush holder caps. (Fig. 25)

To maintain product SAFETY and RELIABILITY, repairs, any other maintenance or adjustment should be performed by Makita Authorized Service Centers, always using Makita replacement parts.

## OPTIONAL ACCESSORIES

### ⚠ CAUTION:

- These accessories or attachments are recommended for use with your Makita tool specified in this manual. The use of any other accessories or attachments might present a risk of injury to persons. Only use accessory or attachment for its stated purpose.

If you need any assistance for more details regarding these accessories, ask your local Makita Service Center.

- Saw blades
- Rip fence (Guide rule)
- Hex wrench 5
- Dust nozzle
- Makita genuine battery and charger

### NOTE:

- Some items in the list may be included in the tool package as standard accessories. They may differ from country to country.

### Noise

ENG905-1

The typical A-weighted noise level determined according to EN60745:

#### Model DSS500

Sound pressure level ( $L_{pA}$ ): 75 dB (A)  
Uncertainty (K): 3 dB (A)

The noise level under working may exceed 80 dB (A).

### Model DSS501

Sound pressure level ( $L_{pA}$ ): 76 dB (A)  
Uncertainty (K): 3 dB (A)

The noise level under working may exceed 80 dB (A).

**Wear ear protection.**

### Vibration

ENG900-1

The vibration total value (tri-axial vector sum) determined according to EN60745:

Work mode: cutting wood  
Vibration emission ( $a_{h,W}$ ): 2.5 m/s<sup>2</sup> or less  
Uncertainty (K): 1.5 m/s<sup>2</sup>

ENG901-1

- The declared vibration emission value has been measured in accordance with the standard test method and may be used for comparing one tool with another.
- The declared vibration emission value may also be used in a preliminary assessment of exposure.

### ⚠ WARNING:

- The vibration emission during actual use of the power tool can differ from the declared emission value depending on the ways in which the tool is used.
- Be sure to identify safety measures to protect the operator that are based on an estimation of exposure in the actual conditions of use (taking account of all parts of the operating cycle such as the times when the tool is switched off and when it is running idle in addition to the trigger time).

### For European countries only

ENH101-17

### EC Declaration of Conformity

#### Makita declares that the following Machine(s):

Designation of Machine:

Cordless Circular Saw

Model No./Type: DSS500, DSS501

#### Conforms to the following European Directives:

2006/42/EC

They are manufactured in accordance with the following Standard or standardized documents:

EN60745

The Technical file in accordance with 2006/42/EC is available from:

Makita, Jan-Baptist Vinkstraat 2, 3070, Belgium

31. 12. 2013



Yasushi Fukaya  
Director

Makita, Jan-Baptist Vinkstraat 2, 3070, Belgium

# FRANÇAIS (Instructions d'origine)

## Descriptif

- |                       |                          |                              |
|-----------------------|--------------------------|------------------------------|
| 1. Voyant rouge       | 9. Gâchette              | 17. Vis                      |
| 2. Bouton             | 10. Blocage de l'arbre   | 18. Tuyau                    |
| 3. Batterie           | 11. Clé hexagonale       | 19. Aspirateur               |
| 4. Étoile             | 12. Boulon hexagonal     | 20. Vis de réglage pour 90°  |
| 5. Levier             | 13. Flasque extérieur    | 21. Règle triangulaire       |
| 6. Socle              | 14. Lame                 | 22. Repère d'usure           |
| 7. Ligne de coupe     | 15. Flasque intérieur    | 23. Bouchon de porte-charbon |
| 8. Levier de sécurité | 16. Raccord à poussières | 24. Tournevis                |

## SPÉCIFICATIONS

Modèle		DSS500	DSS501
Diamètre de la lame		136 mm	
Capacité de coupe max.	à 90°	51 mm	
	à 45°	35 mm	
Vitesse à vide (min <sup>-1</sup> )		3 600	
Longueur totale		359 mm	364 mm
Poids net		2,6 kg	2,7 kg
Tension nominale		C.C. 14,4 V	C.C. 18 V

- Étant donné l'évolution constante de notre programme de recherche et de développement, les spécifications contenues dans ce manuel sont sujettes à des modifications sans préavis.
- Les spécifications et la batterie peuvent varier d'un pays à l'autre.
- Poids, batterie incluse, selon la procédure EPTA 01/2003

### Utilisations

ENE028-1

L'outil est conçu pour les coupes en longueur et les coupes transversales, ainsi que pour les coupes d'onglet angulaires dans le bois en maintenant un contact ferme avec la pièce à travailler.

## Consignes de sécurité générales des outils électriques

GEA010-1

**⚠ AVERTISSEMENT** Veuillez lire toutes les consignes de sécurité et les instructions. Il y a un risque de choc électrique, d'incendie et/ou de blessure grave si les consignes et les instructions ne sont pas toutes respectées.

## Conservez toutes les consignes et instructions pour référence ultérieure.

## AVERTISSEMENTS DE SÉCURITÉ CONCERNANT LA SCIE CIRCULAIRE SANS FIL

GEB061-4

### Procédures de coupe

1. **⚠ DANGER** : Gardez vos mains à l'écart de la zone de coupe et de la lame. Laissez votre deuxième main sur la poignée auxiliaire ou le carter du moteur. Vous ne risquez pas de vous couper les mains si vous les utilisez toutes les deux pour tenir la scie.
2. **Ne placez aucune partie de votre corps sous la pièce à travailler.** Le carter ne peut pas vous protéger de la lame sous la pièce à travailler.
3. **Réglez la profondeur de coupe suivant l'épaisseur de la pièce à travailler.** La partie de la lame visible sous la pièce à travailler doit être moindre qu'une dent de lame complète.
4. **Ne tenez jamais la pièce avec les mains ou contre la jambe. Immobilisez la pièce contre une surface stable.** Il est important que la pièce soit soutenue correctement pour minimiser l'exposition du corps, les pincements de lame et les pertes de contrôle. **Exemple typique d'une bonne prise et d'une pièce bien soutenue. (Fig. 1)**
5. **Saisissez l'outil électrique par ses surfaces de poigne isolées uniquement, lorsque vous effectuez une opération au cours de laquelle l'outil tranchant peut entrer en contact avec des fils cachés.** Le contact avec un fil sous tension mettra également les parties métalliques exposées de l'outil sous tension, risquant ainsi de provoquer un choc électrique chez l'utilisateur.
6. **Lors du sciage en long, utilisez toujours un garde parallèle ou un guide de coupe rectiligne.** La coupe sera plus précise et cela réduira les risques de pincement de la lame.
7. **Utilisez toujours des lames dont l'orifice central est de taille et de forme (diamantée ou circulaire) appropriées.** Si la lame utilisée n'est pas conçue pour la scie, elle tournera de manière excentrique et pourra causer une perte de contrôle de l'outil.
8. **N'utilisez jamais de rondelles ou boulons endommagés ou inadéquats pour fixer la lame.** Les rondelles et le boulon ont été conçus

exclusivement pour votre scie, afin de garantir des performances optimales et une utilisation sûre.

#### **Causes du choc en retour et avertissements afférents**

- Le choc en retour est une réaction soudaine de l'outil lorsque la lame est coincée, pincée ou désalignée, et la scie, hors de contrôle, se soulève alors et se désolidarise de la pièce en se dirigeant vers l'utilisateur ;
- lorsque la lame se coince ou est pincée par le trait de scie qui se referme sur elle, elle se bloque et la réaction du moteur entraîne la projection de l'outil à grande vitesse vers l'utilisateur ;
- si la lame se tord ou se désaligne par rapport à la ligne de coupe, les dents arrière risquent de creuser la surface supérieure du bois ; la lame sortira alors du trait de scie et bondira vers l'utilisateur.

Le choc en retour est dû à une mauvaise utilisation de l'outil et/ou à des procédures ou conditions de travail inappropriées. Il peut être évité en prenant les mesures appropriées, telles qu'indiquées ci-dessous.

9. **Maintenez fermement la scie à l'aide des deux mains et placez vos bras de sorte qu'ils puissent résister à la force du choc en retour. Placez-vous d'un côté ou de l'autre de la lame, jamais dans sa ligne de coupe.** Le choc en retour peut faire bondir la scie vers l'arrière, mais l'utilisateur pourra alors maîtriser la force du choc en retour s'il prend les précautions nécessaires.
10. **Si la lame se pince ou si vous interrompez la coupe pour une raison quelconque, relâchez la gâchette et maintenez la scie immobile dans le matériau jusqu'à l'arrêt complet de la lame. N'essayez jamais de retirer la scie de la pièce ou de la faire reculer alors que la lame tourne encore, au risque de provoquer un choc en retour.** Identifiez la cause du pincement de la lame et prenez les mesures correctives pour éliminer ladite cause.
11. **Avant de redémarrer la scie dans la pièce, centrez la lame dans le trait de scie et assurez-vous que les dents ne pénètrent pas dans le matériau.** Si la lame se pince, elle risque de ressortir du trait ou de causer un choc en retour au moment du redémarrage de la scie.
12. **Placez un dispositif de soutien sous les grandes pièces pour réduire les risques de pincement de la lame et de choc en retour.** Les grandes pièces ont tendance à s'affaisser sous leur propre poids. Des dispositifs de soutien doivent être installés sous la pièce, de chaque côté, près de la ligne de coupe et des bords de la pièce.  
**Pour éviter les chocs en retour, assurez un soutien à la planche ou au panneau près de la ligne de coupe. (Fig. 2)**  
**Ne placez pas le dispositif de soutien de la planche ou du panneau loin de la ligne de coupe. (Fig. 3)**
13. **N'utilisez pas de lames émoussées ou endommagées.** Les lames mal affûtées ou mal fixées produisent un trait de scie étroit, entraînant une friction excessive, le pincement de la lame et un choc en retour.
14. **Serrez fermement et sûrement les leviers de verrouillage de la profondeur de coupe et du réglage de l'angle avant de procéder à la coupe.** Il

existe un risque de pincement et de choc en retour si les réglages de la lame sont modifiés pendant la coupe.

15. **Faites preuve d'une extrême vigilance lorsque vous sciez dans des murs existants ou d'autres zones aveugles.** La lame, après avoir traversé la surface, peut entrer en contact avec ces objets et causer un choc en retour.
16. **Tenez TOUJOURS l'outil fermement à deux mains. NE posez JAMAIS une main ou des doigts derrière la scie.** En cas de choc en retour, la scie pourrait facilement ressauter et passer sur votre main, vous infligeant des blessures graves. (Fig. 4)
17. **Ne forcez jamais la scie. Faites avancer la scie à une vitesse permettant à la lame de tourner sans perte de vitesse.** Le fait de forcer la scie peut résulter en des coupes inégales, une perte de précision et un choc en retour.

#### **Carter de protection inférieur**

18. **Avant chaque utilisation, assurez-vous que le carter de protection inférieur se ferme correctement. N'utilisez pas la scie si le carter de protection inférieur ne se déplace pas librement et ne se referme pas immédiatement. Évitez d'immobiliser ou de fixer le carter de protection inférieur en position ouverte.** Le carter de protection inférieur risque de se plier si vous laissez échapper la scie par accident. Soulevez le carter de protection inférieur à l'aide de la poignée rétractable et assurez-vous qu'il se déplace librement sans entrer en contact avec la lame ou toute autre partie de la scie, et ce quels que soient l'angle et la profondeur de coupe.
19. **Vérifiez le fonctionnement du ressort du carter de protection inférieur. Le carter de protection et le ressort doivent être réparés avant utilisation s'ils ne fonctionnent pas correctement.** Le fonctionnement du carter de protection inférieur peut être ralenti par des pièces endommagées, des dépôts gluants ou l'accumulation de débris.
20. **Le carter de protection inférieur ne peut être rétracté manuellement que lors des coupes spéciales, comme par exemple les « coupes en plongées » et les « coupes composées ».** Soulevez le carter de protection inférieur à l'aide de la poignée rétractable et relâchez-le dès que la lame entre en contact avec le matériau. Pour tout autre type de coupe, laissez le carter de protection inférieur fonctionner automatiquement.
21. **Assurez-vous toujours que le carter de protection inférieur recouvre la lame avant de poser la scie sur l'établi ou le plancher.** La scie risque de se déplacer vers l'arrière et de couper tout ce qui se trouve sur sa trajectoire si la lame n'est pas recouverte et tourne encore. N'oubliez pas qu'il faut un certain temps avant que la lame s'arrête une fois la gâchette relâchée.
22. **Pour vérifier que le carter de protection inférieur se referme bien, ouvrez-le manuellement et relâchez-le. Assurez-vous également que la poignée rétractable ne touche pas le carter de l'outil.** Une lame exposée est TRÈS DANGEREUSE et peut causer de graves blessures.

## Autres avertissements de sécurité

23. **Soyez encore plus prudent lorsque vous coupez du bois mouillé, du bois traité sous pression ou du bois qui contient des nœuds.** Laissez l'outil avancer en douceur sans diminuer la vitesse de la lame pour éviter la surchauffe de son extrémité.
24. **N'essayez pas de retirer le matériau coupé pendant que la lame tourne. Attendez l'arrêt total de la lame avant de saisir le bout de matériau coupé.** La lame continue de tourner même une fois le contact coupé.
25. **Prenez garde aux clous pendant la coupe. Vérifiez le bois et retirez tous les clous avant de travailler.**
26. **Placez la partie la plus large du socle de la scie sur la partie de la pièce qui est solidement soutenue, non sur celle qui tombera une fois la coupe terminée.** À titre d'exemples, la Fig. 5 illustre la **BONNE** façon de couper l'extrémité d'une planche, tandis que la Fig. 6 illustre la **MAUVAISE** façon. Si la pièce est courte ou petite, placez-la dans un dispositif de serrage. **N'ESSAYEZ PAS DE MAINTENIR LES PETITES PIÈCES AVEC LA MAIN !** (Fig. 5 et 6)
27. **Avant de déposer l'outil une fois la coupe terminée, assurez-vous que le carter de protection inférieur est fermé et que la lame est parfaitement immobile.**
28. **N'essayez jamais de scier en plaçant la scie circulaire à l'envers dans un étau.** Cela est très dangereux et peut entraîner des accidents graves. (Fig. 7)
29. **Certains matériaux contiennent des produits chimiques qui peuvent être toxiques. Veillez à éviter toute inhalation de poussière et tout contact avec la peau.** Observez les consignes de sécurité du fabricant du matériau.
30. **N'appliquez jamais de pression latérale sur la lame pour l'arrêter.**
31. **Utilisez toujours les lames spécifiées dans ce manuel. N'utilisez pas de disques abrasifs.**
32. **Maintenez la lame bien affûtée et propre.** Les dépôts de colle et les copeaux de bois qui durcissent contre la lame ralentissent la scie et augmentent les risques de choc en retour. Pour nettoyer la lame, retirez-la d'abord de l'outil, puis nettoyez-la avec un décapant, de l'eau chaude ou du kérosène. N'utilisez jamais d'essence.
33. **Portez un masque anti-poussière et des protections d'oreilles lorsque vous utilisez l'outil.**

## CONSERVEZ CES INSTRUCTIONS.

**⚠ AVERTISSEMENT :**  
**NE** vous laissez **PAS** tromper (au fil d'une utilisation répétée) par un sentiment d'aisance et de familiarité avec le produit, en négligeant le respect rigoureux des consignes de sécurité qui accompagnent l'outil. Une **UTILISATION INCORRECTE** de l'outil ou le non-respect des consignes de sécurité indiquées dans ce manuel d'instructions peuvent causer des blessures graves.

## CONSIGNES DE SÉCURITÉ IMPORTANTES

ENC007-8

### POUR LA BATTERIE

1. **Avant d'utiliser la batterie, veuillez lire toutes les instructions et tous les avertissements inscrits sur (1) le chargeur, (2) la batterie et (3) l'appareil alimenté par la batterie.**
2. **Ne démontez pas la batterie.**
3. **Cessez immédiatement d'utiliser l'outil si le temps de fonctionnement devient excessivement court. Il y a risque de surchauffe, de brûlures, voire d'explosion.**
4. **Si l'électrolyte pénètre dans vos yeux, rincez-les à l'eau claire et consultez immédiatement un médecin. Il y a risque de perte de la vue.**
5. **Évitez de court-circuiter la batterie :**
  - (1) **Ne touchez les bornes avec aucun matériau conducteur.**
  - (2) **Évitez de ranger la batterie dans un contenant où se trouvent d'autres objets métalliques tels que des clous, pièces de monnaie, etc.**
  - (3) **N'exposez pas la batterie à l'eau ou à la pluie. Un court-circuit de la batterie risque de provoquer un fort courant, une surchauffe, parfois des brûlures et même une panne.**
6. **Ne rangez pas l'outil ou la batterie dans des endroits où la température risque d'atteindre ou de dépasser 50°C (122°F).**
7. **Ne jetez pas la batterie au feu même si elle est sérieusement endommagée ou complètement épuisée. La batterie peut exploser au contact du feu.**
8. **Veillez à ne pas laisser tomber ou heurter la batterie.**
9. **N'utilisez pas de batterie endommagée.**
10. **Respectez les réglementations locales relatives à la mise au rebut des batteries.**

## CONSERVEZ CES INSTRUCTIONS.

### Conseils pour assurer la durée de vie optimale de la batterie

1. **Rechargez la batterie avant qu'elle ne soit complètement épuisée. Arrêtez toujours l'outil et rechargez la batterie quand vous constatez que la puissance de l'outil diminue.**
2. **Ne rechargez jamais une batterie complètement chargée. La surcharge réduit la durée de service de la batterie.**
3. **Chargez la batterie alors que la température de la pièce se trouve entre 10°C et 40°C (50°F et 104°F). Si une batterie est chaude, laissez-la refroidir avant de la charger.**
4. **Si vous n'utilisez pas l'outil pendant une période prolongée, rechargez la batterie tous les six mois.**

# DESCRIPTION DU FONCTIONNEMENT

## ATTENTION :

- Assurez-vous toujours que l'outil est hors tension et que sa batterie est retirée avant d'ajuster l'outil ou de vérifier son fonctionnement.

## Installation et retrait de la batterie (Fig. 8)

### ⚠ ATTENTION :

- Éteignez toujours l'outil avant d'installer ou de déposer la batterie.
- Tenez fermement l'outil et la batterie lors de l'installation ou du retrait de la batterie.** Si vous ne tenez pas fermement l'outil et la batterie, ils risquent de glisser et de s'abîmer ou de vous blesser.

Pour retirer la batterie, faites glisser le bouton à l'avant de la batterie et sortez la batterie.

Pour installer la batterie, alignez sa languette sur la rainure qui se trouve à l'intérieur du carter, puis glissez la batterie pour la mettre en place. Insérez-la bien à fond, jusqu'à ce qu'elle se verrouille en émettant un léger clic. Si vous pouvez voir le voyant rouge sur la face supérieure du bouton, la batterie n'est pas parfaitement verrouillée.

### ⚠ ATTENTION :

- Installez toujours la batterie à fond, de sorte que le voyant rouge ne soit plus visible. Sinon, elle risque de tomber accidentellement de l'outil, en vous blessant ou en blessant une personne située près de vous.
- Ne forcez pas pour installer la batterie. Si la batterie ne glisse pas aisément, c'est qu'elle n'est pas insérée correctement.

## Système de protection de la batterie (batterie au lithium-ion comportant une étoile) (Fig. 9)

Les batteries au lithium-ion comportant une étoile sont équipées d'un système de protection. Ce système coupe automatiquement l'alimentation en électricité vers l'outil afin de prolonger sa durée de vie.

L'outil s'arrête automatiquement pendant l'utilisation lorsqu'il et/ou la batterie se trouvent dans l'une des situations suivantes :

- Surchargé :**  
L'outil fonctionne de manière à créer un courant anormalement élevé.  
Dans ce cas, relâchez la gâchette située sur l'outil et arrêtez l'application ayant provoqué la surcharge de l'outil. Ensuite, tirez à nouveau sur la gâchette pour redémarrer l'outil.  
Si l'outil ne démarre pas, la batterie est en surchauffe. Dans ce cas, laissez la batterie refroidir avant de tirer à nouveau sur la gâchette.
- Basse tension :**  
L'autonomie restante est trop basse et l'outil ne fonctionnera pas. Dans ce cas, retirez la batterie et rechargez-la.

## Réglage de la profondeur de coupe (Fig. 10)

### ATTENTION :

- Après avoir ajusté la profondeur de coupe, serrez toujours fermement le levier.
- Desserrez le levier du côté de la poignée arrière puis déplacez la base vers le haut ou le bas. À la profondeur de coupe désirée, fixez la base en serrant le levier. Pour obtenir des coupes plus propres et les effectuer de manière plus sûre, réglez la profondeur de coupe de sorte que pas plus d'une dent de lame ne dépasse sous la pièce. Une profondeur de coupe adéquate aide à réduire les risques de dangereux CHOCS EN RETOUR et de blessures.

## Coupe en biseau (Fig. 11)

Desserrez le levier du secteur angulaire sur le socle avant. Réglez sur l'angle désiré (0° à 50°) en inclinant, puis serrez fermement le levier.

## Visée (Fig. 12)

Pour les coupes rectilignes, alignez sur la ligne de coupe la position A à l'avant du socle. Pour les coupes en biseau de 45°, alignez la position B sur la ligne de coupe.

## Interrupteur (Fig. 13)

### ATTENTION :

- Avant d'insérer la batterie dans l'outil, vérifiez toujours que la gâchette fonctionne bien et revient en position d'arrêt lorsque libérée.
- Ne forcez pas en appuyant sur la gâchette sans avoir d'abord enfoncé le levier de sécurité. Vous risqueriez de casser la gâchette.

Un levier de sécurité est prévu pour prévenir la pression accidentelle sur la gâchette. Pour démarrer l'outil, appuyez sur le levier de sécurité puis appuyez sur la gâchette. Pour l'arrêter, libérez la gâchette.

### AVERTISSEMENT :

- Pour assurer votre sécurité, cet outil est doté d'un levier de sécurité qui prévient le démarrage accidentel de l'outil. N'utilisez JAMAIS l'outil s'il se met en marche lorsque vous appuyez simplement sur la gâchette sans avoir appuyé sur le levier de sécurité. Retournez l'outil à un centre de service après-vente Makita pour le faire réparer AVANT de poursuivre l'utilisation.
- Le levier de sécurité ne doit JAMAIS être immobilisé avec du ruban adhésif, ni modifié.

## Allumage de la lampe

### ATTENTION :

- Ne regardez pas directement la lumière ou la source de lumière.
- Pour seulement allumer la lumière, appuyez sur la gâchette sans appuyer sur le levier de sécurité. Pour allumer la lumière et faire démarrer l'outil, appuyez sur la gâchette tout en appuyant sur le levier de sécurité.

### NOTE :

- Utilisez un coton-tige pour essuyer les saletés qui recouvrent la lentille de la lampe. Prenez garde de rayer la lentille de la lampe, sinon sa capacité d'éclairage sera affectée.

- N'utilisez pas d'essence, de diluant ou autre liquide similaire pour nettoyer la lentille de la lampe. L'objectif risque d'être endommagé si vous utilisez de telles substances.

## ASSEMBLAGE

### ATTENTION :

- Assurez-vous toujours que l'outil est hors tension et que la batterie est retirée avant d'effectuer toute intervention sur l'outil.

### Retrait ou installation de la lame (Fig. 14 et 15)

#### ATTENTION :

- Assurez-vous que la lame est installée avec les dents orientées vers le haut à l'avant de l'outil.
- Utilisez exclusivement une clé Makita pour installer ou retirer la lame.

Pour retirer la lame, appuyez sur le blocage de l'arbre de sorte que la lame ne puisse pas tourner, et desserrez le boulon hexagonal à l'aide de la clé hexagonale, en tournant dans le sens inverse des aiguilles d'une montre. Retirez ensuite le boulon hexagonal, le flasque extérieur et la lame.

Pour poser la lame, suivez la procédure de retrait dans l'ordre inverse. ASSUREZ-VOUS D'AVOIR FERMEMENT SERRÉ LE BOULON HEXAGONAL EN TOURNANT DANS LE SENS DES AIGUILLES D'UNE MONTRE. (Fig. 16)

Lorsque vous changez de lame, vous devez retirer les copeaux et particules accumulés sur les carters de protection supérieur et inférieur. Il faut vérifier le bon fonctionnement du carter de protection inférieur avant chaque utilisation, même après un nettoyage.

### Rangement de la clé hexagonale (Fig. 17)

Lorsque vous n'utilisez pas la clé hexagonale, rangez-la de la façon illustrée sur la figure pour éviter de la perdre.

### Raccordement à un aspirateur (Fig. 18 et 19)

Pour effectuer un travail plus propre, raccordez un aspirateur Makita à votre outil. Installez le raccord à poussières sur l'outil à l'aide de la vis. Connectez ensuite le tuyau de l'aspirateur au raccord à poussières, tel qu'illustré sur la figure.

## UTILISATION

### ATTENTION :

- Insérez toujours la batterie bien à fond, jusqu'à ce qu'elle se verrouille en place. Si vous pouvez voir la partie rouge sur la face supérieure du bouton, la batterie n'est pas parfaitement verrouillée. Insérez-la à fond, jusqu'à ce que la partie rouge ne soit plus visible. Sinon, la batterie risque de tomber accidentellement de l'outil, en vous blessant ou en blessant une personne se trouvant près de vous.
- Vous devez faire avancer l'outil doucement, en ligne droite. Le fait de forcer ou de tordre l'outil causerait un surchauffe du moteur et un dangereux choc en retour, risquant d'entraîner une blessure grave.

- Si l'outil a fonctionné de façon continue jusqu'à ce que la batterie soit épuisée, laissez-le reposer pendant 15 minutes avant de poursuivre avec une batterie fraîche. (Fig. 20)

Tenez l'outil fermement. L'outil est doté d'une poignée avant et d'une poignée arrière. Tenez l'outil par ses deux poignées. Vous ne risquez pas de vous couper les mains si vous les utilisez toutes les deux pour tenir la scie. Placez le socle de l'outil sur la pièce de sorte que la lame n'entre pas en contact avec quoi que ce soit. Mettez ensuite l'outil sous tension et attendez que la lame ait atteint sa pleine vitesse. Ensuite, déplacez simplement l'outil vers l'avant sur la surface de la pièce, en le maintenant bien à plat et en le faisant avancer doucement, jusqu'à ce que la coupe soit terminée. Pour des coupes propres, évitez de dévier de la ligne de coupe et faites avancer l'outil à une vitesse uniforme. Si la lame dévie de la ligne de coupe prévue, ne tentez pas de modifier la course de l'outil pour le forcer à revenir sur la ligne de coupe. Vous risqueriez de plier la lame et de provoquer un dangereux choc en retour pouvant causer une grave blessure. Libérez la gâchette, attendez l'arrêt complet de la lame, puis retirez l'outil. Réalignez l'outil sur une nouvelle ligne de coupe, puis poursuivez la coupe. Évitez de vous exposer aux copeaux et sciures de bois éjectés par la scie. Portez des lunettes de protection pour réduire les risques de blessure.

### Garde parallèle (règle de guidage) (accessoire) (Fig. 21)

Le garde parallèle est pratique pour effectuer des coupes droites avec une très grande précision. Faites simplement glisser le garde parallèle le long du bord de la pièce en le gardant en position à l'aide de la vis de serrage qui se trouve à l'avant du socle. Cela permet également d'effectuer plusieurs coupes d'une largeur uniforme.

## ENTRETIEN

### ATTENTION :

- Assurez-vous toujours que l'outil est hors tension et que la batterie est retirée avant d'y effectuer tout travail d'inspection ou d'entretien.
- N'utilisez jamais d'essence, de benzine, de diluant, d'alcool ou de produit similaire. Ces produits risquent de provoquer des décolorations, des déformations ou des fissures.

### Réglage de la précision de coupe à 90° (coupe verticale)

Ce réglage est effectué en usine. S'il est désactivé, réajustez les vis de réglage au moyen d'une clé hexagonale, en vous assurant que la lame est sur un angle de 90° par rapport à la base, avec une règle triangulaire, une équerre de menuisier, etc. (Fig. 22 et 23)

### Remplacement des charbons (Fig. 24)

Retirez et vérifiez les charbons régulièrement. Remplacez-les lorsqu'ils atteignent le repère d'usure. Gardez les charbons propres et assurez-vous qu'ils glissent librement dans les porte-charbons. Les deux charbons doivent être remplacés en même temps. Utilisez uniquement des charbons identiques. Retirez les bouchons de porte-charbon à l'aide d'un

tournevis.

Enlevez les charbons usés, insérez les neufs et remettez en place les bouchons. (Fig. 25)

Pour assurer la SÉCURITÉ et la FIABILITÉ du produit, toute réparation et tout travail d'entretien ou de réglage doivent être effectués par un Centre de service après-vente agréé Makita, avec des pièces de rechange Makita.

## ACCESSOIRES FOURNIS EN OPTION

### ATTENTION :

- Ces accessoires ou pièces complémentaires sont recommandés pour être utilisés avec l'outil Makita spécifié dans ce mode d'emploi. L'utilisation de tout autre accessoire ou pièce complémentaire peut comporter un risque de blessure. N'utilisez les accessoires ou pièces qu'aux fins auxquelles ils ont été conçus.

Pour obtenir plus de détails sur ces accessoires, contactez votre Centre de service local Makita.

- Lames
- Garde parallèle (règle de guidage)
- Clé hexagonale 5
- Raccord à poussières
- Batterie et chargeur Makita authentiques

### REMARQUE :

- Certains éléments de la liste peuvent être inclus en tant qu'accessoires standard dans le coffret de l'outil envoyé. Ils peuvent varier suivant les pays.

### Bruit ENG905-1

Les niveaux de bruit pondéré A typiques ont été mesurés selon la norme EN60745 :

#### Modèle DSS500

Niveau de pression sonore ( $L_{pA}$ ) : 75 dB (A)

Incertitude (K) : 3 dB (A)

Le niveau de bruit peut dépasser 80 dB (A) lors de l'utilisation.

#### Modèle DSS501

Niveau de pression sonore ( $L_{pA}$ ) : 76 dB (A)

Incertitude (K) : 3 dB (A)

Le niveau de bruit peut dépasser 80 dB (A) lors de l'utilisation.

#### Portez des protections auditives.

### Vibration ENG900-1

La valeur totale de vibration (somme du vecteur triaxial) a été déterminée selon la norme EN60745 :

Mode de fonctionnement : coupe de bois

Émission des vibrations ( $a_{h,W}$ ) : 2,5 m/s<sup>2</sup> ou moins

Incertitude (K) : 1,5 m/s<sup>2</sup>

ENG901-1

- La valeur de l'émission des vibrations déclarée a été mesurée conformément à la méthode de test standard et peut être utilisée afin de comparer des outils entre eux.
- La valeur de l'émission des vibrations déclarée peut également être utilisée lors d'une évaluation préliminaire de l'exposition.

### AVERTISSEMENT :

- Selon la manière dont l'outil est utilisé, il est possible que l'émission des vibrations pendant l'utilisation réelle

de l'outil électrique diffère de la valeur de l'émission déclarée.

- Veuillez à identifier les mesures de sécurité destinées à protéger l'opérateur et établies en fonction de l'estimation de l'exposition dans les conditions réelles d'utilisation (en prenant en compte toutes les étapes du cycle de fonctionnement, telles que les périodes de mise hors tension de l'outil, les périodes de fonctionnement au ralenti et les périodes de mise en route).

### Pour les pays d'Europe uniquement ENH101-17 Déclaration de conformité CE

**Makita déclare que la/les machine(s) suivante(s) :**

Nom de la machine :

Scie circulaire sans fil

N° de modèle/Type : DSS500, DSS501

**sont conformes aux directives européennes suivantes :**

2006/42/CE

sont produites conformément aux normes ou documents de normalisation suivants :

EN60745

Le dossier technique conforme à la norme 2006/42/CE est disponible auprès de :

Makita, Jan-Baptist Vinkstraat 2, 3070, Belgique

31. 12. 2013



Yasushi Fukaya  
Directeur

Makita, Jan-Baptist Vinkstraat 2, 3070, Belgique



# DEUTSCH (Originalanweisungen)

## Erklärung der Gesamtdarstellung

- |                       |                        |                              |
|-----------------------|------------------------|------------------------------|
| 1. Roter Bereich      | 9. Auslöseschaltung    | 17. Schraube                 |
| 2. Taste              | 10. Spindelarretierung | 18. Schlauch                 |
| 3. Akkublock          | 11. Sechskantschlüssel | 19. Staubsauger              |
| 4. Sternmarkierung    | 12. Sechskantschraube  | 20. Einstellschraube für 90° |
| 5. Hebel              | 13. Außenflansch       | 21. Einstelldreieck          |
| 6. Gleitschuh         | 14. Sägeblatt          | 22. Grenzmarkierung          |
| 7. Schnittlinie       | 15. Innenflansch       | 23. Bürstenhalterkappe       |
| 8. Entriegelungshebel | 16. Absaugstutzen      | 24. Schraubendreher          |

## TECHNISCHE ANGABEN

Modell		DSS500	DSS501
Sägeblattdurchmesser		136 mm	
Max. Schnitttiefe	90°	51 mm	
	45°	35 mm	
Leerlaufgeschwindigkeit (min <sup>-1</sup> )		3.600	
Gesamtlänge		359 mm	364 mm
Nettogewicht		2,6 kg	2,7 kg
Nennspannung		14,4 V Gleichspannung	18 V Gleichspannung

- Aufgrund unserer beständigen Forschungen und Weiterentwicklungen sind Änderungen an den hier angegebenen Technischen Daten ohne Vorankündigung vorbehalten.
- Die Technischen Daten und der Akkublock können in den einzelnen Ländern Abweichungen aufweisen.
- Gewicht, mit Akkublock, ermittelt gemäß EPTA-Verfahren 01/2003

### Verwendungszweck ENE028-1

Das Werkzeug eignet sich für Längs- und Querschnitte sowie Gehrungsschnitte mit Winkeln in Holz bei engem Kontakt mit dem Werkstück.

## Allgemeine Sicherheitshinweise für Elektrowerkzeuge GEA010-1

**⚠️ WARNUNG Lesen Sie alle Sicherheitshinweise und Anweisungen sorgfältig durch.** Wenn die Hinweise und Anweisungen nicht beachtet werden, besteht die Gefahr eines Stromschlags, Brands und/oder das Risiko von ernsthaften Verletzungen.

## Bewahren Sie alle Hinweise und Anweisungen zur späteren Referenz auf.

## SICHERHEITSHINWEISE ZUR AKKU-KREISSÄGE GEB061-4

### Schneidverfahren

1. **⚠️ GEFAHR: Halten Sie Ihre Hände vom Schnittbereich und vom Sägeblatt fern. Halten Sie Ihre andere Hand auf dem Zusatzgriff oder dem Motorgehäuse.** Nur mit beiden Händen an der Säge können Sie Schnittverletzungen der Hände durch das Sägeblatt vermeiden.
2. **Fassen Sie niemals unter das Werkstück.** Die Schutzvorrichtung bietet keinen Schutz vor dem Sägeblatt unter dem Werkstück.

3. **Passen Sie die Schnitttiefe an die Dicke des Werkstücks an.** Es sollte weniger als ein kompletter Sägezahn des Sägeblatts unter dem Werkstück sichtbar sein.
4. **Halten Sie das zu schneidende Werkstück niemals in Ihren Händen oder über Ihrem Bein. Sichern Sie das Werkstück an einer stabilen Unterlage.** Es ist wichtig, dass Sie das Werkstück ordnungsgemäß abstützen, um Verletzungen, ein Verkanten des Sägeblatts oder den Verlust der Kontrolle zu vermeiden.  
**Beispiel der richtigen Handhaltung und Abstützung des Werkstücks. (Abb. 1)**
5. **Halten Sie das Elektrowerkzeug ausschließlich an den isolierten Griffflächen, wenn Sie unter Bedingungen arbeiten, bei denen das Schneidwerkzeug verborgene Kabel berühren kann.** Bei Kontakt mit einem stromführenden Kabel wird der Strom an die Metallteile des Elektrowerkzeugs und dadurch an den Bediener weitergeleitet, und der Bediener erleidet einen Stromschlag.
6. **Verwenden Sie bei Längsschnitten immer einen Parallelanschlag oder eine Führungsschiene.** Dies verbessert den Präzisionsschnitt und verringert die Gefahr des Verkantens des Sägeblatts.
7. **Verwenden Sie stets Sägeblätter in der richtigen Größe und Form (Raute statt Kreis) des Aufnahmelochs.** Sägeblätter, die nicht den Montageteilen der Säge entsprechen, laufen exzentrisch und führen zum Kontrollverlust.
8. **Verwenden Sie niemals defekte oder vom Original abweichende Sägeblatt-Befestigungsscheiben oder -schrauben.** Die Unterlegscheiben und Bolzen

wurden eigens für Ihre Säge entwickelt, um einen Betrieb mit optimaler Leistung und Sicherheit zu gewährleisten.

### **Ursachen für Rückschlag und entsprechende Warnhinweise**

- Ein Rückschlag entsteht als plötzliche Reaktion auf ein eingeklemmtes, fest sitzendes oder falsch ausgerichtetes Sägeblatt und führt zum unkontrollierten Springen der Säge aus dem Werkstück in Richtung Bediener.
- Wenn sich das Sägeblatt verklemmt oder durch die sich nach unten verengende Sägefuge fest erfasst wird, stoppt das Sägeblatt plötzlich, und die Motorkraft lässt die Säge schnell in Richtung des Bedieners springen.
- Wenn sich das Sägeblatt im Schnitt verdreht oder verschiebt, können die Zähne an der hinteren Kante des Sägeblatts in die Oberfläche des Holzes eingreifen, und dies kann dazu führen, dass das Sägeblatt aus der Sägefuge tritt und zurück in Richtung des Bedieners springt.

Rückschläge werden durch eine falsche Handhabung der Säge und/oder unsachgemäßes Vorgehen oder unsachgemäße Arbeitsbedingungen verursacht und können durch die im Folgenden aufgeführten Maßnahmen vermieden werden.

9. **Halten Sie die Säge stets mit beiden Händen gut fest und legen Sie Ihre Arme so an, dass Sie Rückschläge abwehren können. Stellen Sie sich seitlich zum Sägeblatt hin, niemals in einer Linie mit dem Sägeblatt.** Bei einem Rückschlag kann die Säge plötzlich nach hinten springen. Derartige Rückschlagkräfte können jedoch durch geeignete Maßnahmen des Bedieners beherrscht werden.
10. **Wenn das Sägeblatt sich verkantet oder Sie den Sägevorgang aus irgendeinem Grund unterbrechen, betätigen Sie den Auslöser und halten Sie die Säge bis zum kompletten Stillstand des Sägeblatts im Material, ohne es dabei zu bewegen. Versuchen Sie niemals, bei laufendem Sägeblatt die Säge aus dem Werkstück zu entfernen oder sie nach hinten herauszuziehen, da dies zu einem Rückschlag führen kann.** Überprüfen Sie die Ursache für das Verkanten des Sägeblatts und ergreifen Sie Korrekturmaßnahmen.
11. **Wenn Sie eine sich im Schnitt befindende Säge wieder einschalten, halten Sie das Sägeblatt mittig in m Sägeschlitz und achten Sie darauf, dass die Sägezähne nicht in das Material greifen.** Falls das Sägeblatt verkantet ist, kann es beim Wiedereinschalten der Säge hochspringen oder vom Werkstück zurückschlagen.
12. **Große Werkstücke müssen abgestützt werden, um die Gefahr des Einklemmens des Sägeblatts oder eines Rückschlags zu vermeiden.** Große Werkstücke können sich unter ihrem eigenen Gewicht durchbiegen. Unter dem Werkstück sind nahe der Schnittlinie und nahe den Werkstückkanten beidseitig Stützen zu platzieren.  
**Um einen Rückschlag zu vermeiden, stützen Sie das Brett oder das Werkstück nahe der Schnittstelle ab. (Abb. 2)**  
**Stützen Sie das Brett oder Werkstück nicht zu weit von der Schnittstelle ab. (Abb. 3)**

13. **Verwenden Sie keine stumpfen oder beschädigten Sägeblätter.** Stumpfe oder falsch eingesetzte Sägeblätter führen zu einer sehr engen Schnittfuge, die eine hohe Reibung, ein Verkanten des Sägeblatts und einen Rückschlag zur Folge haben kann.
14. **Stellen Sie vor Arbeitsbeginn sicher, dass die Feststellhebel für die Blatttiefe und die Gehrungseinstellung fest angezogen sind.** Wenn sich die Einstellung des Sägeblatts beim Sägen verschiebt, kann dies zum Verkanten oder zu einem Rückschlag des Sägeblatts führen.
15. **Seien Sie besonders vorsichtig, wenn Sie einen Schnitt in Wände oder andere nicht einsehbare Bereiche ausführen.** Das vordringende Sägeblatt schneidet möglicherweise in Gegenstände, die einen Rückschlag verursachen können.
16. **Halten Sie das Werkzeug STETS mit beiden Händen gut fest. Halten Sie NIEMALS Ihre Hand oder Ihre Finger hinter der Säge.** Im Fall eines Rückschlags kann die Säge unter Umständen über Ihre Hand zurückspringen und schwere Verletzungen verursachen. (Abb. 4)
17. **Wenden Sie beim Sägen niemals Gewalt an. Schieben Sie die Säge mit einer Geschwindigkeit vor, die es ermöglicht, dass das Sägeblatt mit konstanter Geschwindigkeit sägt.** Ein zu starkes Drücken der Säge kann zu unebenen Schnitten, zu Ungenauigkeiten und möglicherweise zu Rückschlägen führen.

### **Funktion der beweglichen Schutzhaube**

18. **Prüfen Sie vor jeder Inbetriebnahme, dass die bewegliche Schutzhaube korrekt schließt. Verwenden Sie die Säge niemals, wenn sich die Schutzhaube nicht ungehindert bewegt und nicht unverzüglich schließt. Die bewegliche Schutzhaube darf niemals in der geöffneten Stellung festgeklemmt oder festgebunden werden.** Wenn Sie die Säge versehentlich fallen lassen, kann sich die bewegliche Schutzhaube verbiegen. Ziehen Sie zum Öffnen der beweglichen Schutzhaube den Hebel nach hinten und stellen Sie sicher, dass die Haube frei beweglich ist und bei allen Schnittwinkeln und Schnitttiefen weder das Sägeblatt noch irgendein anderes Teil berührt.
19. **Überprüfen Sie die Funktion der Feder für die bewegliche Schutzhaube. Wenn Schutzhaube und/oder Feder nicht ordnungsgemäß funktionieren, müssen diese vor der Inbetriebnahme repariert werden.** Die bewegliche Schutzhaube kann aufgrund von beschädigten Teilen, klebrigen Rückständen oder Ablagerungen unter Umständen in ihrer Funktionsweise beeinträchtigt sein.
20. **Die bewegliche Schutzhaube darf nur für spezielle Schnitte wie z. B. „Tauschschnitt“ und „Kombinationsschnitt“ von Hand zurückgeschoben werden. Ziehen Sie zum Öffnen der beweglichen Schutzhaube den Hebel nach hinten und lassen Sie den Hebel los, sobald das Sägeblatt in das Material eindringt.** Für alle anderen Sägearbeiten muss die bewegliche Schutzhaube automatisch betätigt werden.
21. **Achten Sie stets darauf, dass die bewegliche Schutzhaube das Sägeblatt abdeckt, bevor Sie die**

**Säge auf die Werkbank oder den Boden legen.** Ein ungeschütztes, noch nachlaufendes Sägeblatt führt dazu, dass die Säge nach hinten läuft und dabei alles zersägt, was ihr im Weg steht. Beachten Sie, dass das Sägeblatt nach dem Loslassen des Schalters einige Zeit nachläuft, bevor es zum Stillstand kommt.

22. **Für die Funktionsprüfung der beweglichen Schutzhäube öffnen Sie diese von Hand, lassen Sie sie los und beobachten Sie das Schließverhalten. Stellen Sie auch sicher, dass der zurückschiebbare Griff des Werkzeuggehäuse nicht berührt.** Ein frei liegendes Sägeblatt ist SEHR GEFÄHRLICH und kann zu schweren Verletzungen führen.

#### **Zusätzliche Sicherheitshinweise**

23. **Gehen Sie beim Sägen von feuchtem Holz, unter Spannung stehendem Bruchholz oder Holz, das Astknoten enthält, besonders vorsichtig vor.** Stellen Sie die Schnittgeschwindigkeit so ein, dass ein gleichbleibender Vorschub des Werkzeugs ohne eine Verringerung der Geschwindigkeit möglich ist.
24. **Versuchen Sie niemals, abgesägtes Material zu entfernen, während das Sägeblatt läuft. Warten Sie bis zum Stillstand des Sägeblatts, bevor Sie abgesägtes Material entfernen.** Das Sägeblatt läuft nach dem Ausschalten nach.
25. **Vermeiden Sie es, in Nägel zu schneiden. Untersuchen Sie das Werkstück auf Nägel und entfernen Sie diese ggf. vor Beginn der Arbeiten.**
26. **Setzen Sie die Säge mit der großen Auflagefläche des Gleitschuhs auf den Teil des Werkstücks, der fest abgestützt wird, und nicht auf das abzuschneidende Material. Als Beispiele zeigen Abb. 5 die RICHTIGE und Abb. 6 die FALSCH E Methode für das Absägen des Brettendes. Spannen Sie kurze und kleine Werkstücke ein. VERSUCHEN SIE NIEMALS, KURZE WERKSTÜCKE MIT DER HAND ZU HALTEN! (Abb. 5 und 6)**
27. **Warten Sie nach dem Bearbeitungsvorgang, bis das Sägeblatt zum Stillstand gekommen ist, überprüfen Sie die Schutzhäube auf geschlossene Stellung und setzen Sie das Werkzeug erst danach ab.**
28. **Versuchen Sie niemals, die Kreissäge nach unten gerichtet in einen Schraubstock zu spannen und so damit zu sägen. Dies ist äußerst gefährlich und kann zu schweren Unfällen führen. (Abb. 7)**
29. **Einige Materialien enthalten Chemikalien, die möglicherweise giftig sind. Vermeiden Sie das Einatmen von Staub und den Hautkontakt mit diesen Materialien. Beachten Sie die Sicherheitshinweise und Sicherheitsdatenblätter der Materialhersteller.**
30. **Bremsen Sie die Maschine nicht durch seitlichen Druck auf das Sägeblatt ab.**
31. **Verwenden Sie stets die in diesem Handbuch empfohlenen Sägeblätter. Verwenden Sie keine Schleifscheiben.**
32. **Verwenden Sie nur scharfe und saubere Sägeblätter.** Angetrocknete Harz- und Holzreste auf dem Sägeblatt vermindern die Drehzahl der Säge und erhöhen die Gefahr von Rückschlägen. Halten Sie das Sägeblatt sauber, indem Sie es aus dem Werkzeug

ausbauen und mit einem Harz- und Teerentferner, heißem Wasser oder Waschbenzin reinigen. Verwenden Sie niemals Benzin.

33. **Tragen Sie bei der Arbeit eine Staubmaske und Gehörschutz.**

## **BEWAHREN SIE DIESE ANLEITUNG SORGFÄLTIG AUF.**

### **⚠ WARNUNG:**

Lassen Sie sich NIE aus Bequemlichkeit oder (aus fortwährendem Gebrauch gewonnener) Vertrautheit mit dem Werkzeug dazu verleiten, die Sicherheitsregeln für das Werkzeug zu missachten. Bei MISSBRÄUCLICHER Verwendung des Werkzeugs oder bei Missachtung der in diesem Handbuch enthaltenen Sicherheitshinweise kann es zu schweren Verletzungen kommen.

## **WICHTIGE SICHERHEITSREGELN**

ENC007-8

### **FÜR AKKUBLOCK**

1. **Lesen Sie vor der Verwendung des Akkublocks alle Anweisungen und Sicherheitshinweise für das Akkuladegerät (1), den Akku (2) und das Produkt (3), für das der Akku verwendet wird, sorgfältig durch.**
2. **Der Akkublock darf nicht zerlegt werden.**
3. **Falls die Betriebsdauer erheblich kürzer wird, beenden Sie den Betrieb umgehend. Andernfalls besteht die Gefahr einer Überhitzung sowie das Risiko möglicher Verbrennungen und sogar einer Explosion.**
4. **Wenn Elektrolyt in Ihre Augen gerät, waschen Sie diese mit klarem Wasser aus und suchen Sie sofort einen Arzt auf. Andernfalls können Sie Ihre Sehfähigkeit verlieren.**
5. **Vermeiden Sie einen Kurzschluss des Akkublocks:**
  - (1) **Die Kontakte dürfen nicht mit leitendem Material in Berührung kommen.**
  - (2) **Der Akkublock darf nicht in einem Behälter aufbewahrt werden, in dem sich andere metallische Gegenstände wie beispielsweise Nägel, Münzen usw. befinden.**
  - (3) **Der Akkublock darf weder Feuchtigkeit noch Regen ausgesetzt werden.**

Ein Kurzschluss des Akkus kann zu hohem Kriechstrom, Überhitzung, möglichen Verbrennungen und sogar zu einer Zerstörung des Werkzeugs führen.
6. **Werkzeug und Akkublock dürfen nicht an Orten aufbewahrt werden, an denen Temperaturen von 50°C oder darüber erreicht werden können.**
7. **Beschädigte oder verbrauchte Akkus dürfen nicht verbrannt werden. Der Akkublock kann in den Flammen explodieren.**
8. **Lassen Sie den Akku nicht fallen und vermeiden Sie Schläge gegen den Akku.**
9. **Verwenden Sie niemals einen beschädigten Akku.**
10. **Befolgen Sie die in Ihrem Land geltenden Bestimmungen bzgl. der Entsorgung von Akkus.**

# BEWAHREN SIE DIESE ANLEITUNG SORGFÄLTIG AUF.

## Tipps für eine maximale Nutzungsdauer von Akkus

1. **Laden Sie den Akkublock auf, bevor der Akku vollständig entladen ist.**  
**Sobald Sie eine verringerte Leistung des Werkzeugs bemerken, beenden Sie stets den Betrieb des Werkzeugs und laden Sie den Akkublock auf.**
2. **Ein voll aufgeladener Akkublock darf niemals erneut geladen werden.**  
**Durch Überladungen wird die Lebensdauer des Akkus verkürzt.**
3. **Laden Sie den Akkublock bei einer Zimmertemperatur von 10°C bis 40°C auf. Lassen Sie einen heißen Akkublock vor dem Aufladen abkühlen.**
4. **Laden Sie den Akkublock aller sechs Monate auf, wenn Sie diesen für längere Zeit nicht verwenden.**

## FUNKTIONSBESCHREIBUNG

### ACHTUNG:

- Schalten Sie das Werkzeug stets aus und entfernen Sie den Akkublock, bevor Sie Einstellungen oder eine Funktionsprüfung des Werkzeugs vornehmen.

### Montage und Demontage des Akkublocks (Abb. 8)

#### ⚠️ ACHTUNG:

- Schalten Sie das Werkzeug stets aus, bevor Sie den Akkublock einsetzen oder abnehmen.
- **Halten Sie das Werkzeug und den Akkublock sicher fest, wenn Sie den Akkublock einsetzen oder herausnehmen.** Andernfalls könnte Ihnen das Werkzeug oder der Akkublock aus den Händen fallen, sodass das Werkzeug oder der Akkublock beschädigt werden oder diese Verletzungen verursachen.

Zum Abnehmen des Akkublocks müssen Sie die Taste auf der Vorderseite des Akkublocks schieben und gleichzeitig den Akkublock aus dem Gerät herausziehen. Zum Einsetzen des Akkublocks müssen Sie die Zunge des Akkublocks an der Rille im Gehäuse ausrichten und in die gewünschte Position schieben. Setzen Sie den Akkublock ganz ein, bis er mit einem Klick einrastet. Wenn Sie den roten Bereich oben auf der Taste sehen können, ist der Batterieadapter nicht ganz eingerastet.

#### ⚠️ ACHTUNG:

- Setzen Sie den Akkublock unbedingt ganz ein, bis der rote Bereich nicht mehr zu sehen ist. Andernfalls kann der Akkublock versehentlich aus dem Werkzeug fallen und Sie oder umstehende Personen verletzen.
- Wenden Sie beim Einsetzen des Akkublocks keine Gewalt an. Wenn der Akkublock nicht leicht hineingleitet, ist er nicht richtig angesetzt.

### Akku-Schutzsystem (Lithium-Ionen-Akku mit Sternmarkierung) (Abb. 9)

Lithium-Ionen-Akkus mit einer Sternmarkierung verfügen über ein Schutzsystem. Dieses System schaltet die

Stromversorgung des Werkzeugs automatisch aus, um die Lebensdauer des Akkus zu verlängern.

Unter folgenden Bedingungen des Werkzeugs und/oder des Akkus kann das Werkzeug während des Betriebs automatisch stoppen:

- Überlastet:  
Das Werkzeug wird auf eine Weise betrieben, die zu einer anormal hohen Stromaufnahme führt. Lassen Sie in dieser Situation den Ein/Aus-Schalter des Werkzeugs los und beenden Sie die Arbeiten, die zu der Überlastung des Werkzeugs geführt haben. Betätigen Sie anschließend den Ein/Aus-Schalter wieder, um das Werkzeug wieder in Betrieb zu nehmen.  
Wenn das Werkzeug nicht startet, ist der Akku überhitzt. Lassen Sie in dieser Situation den Akku erst abkühlen, bevor Sie wieder den Ein/Aus-Schalter betätigen.
- Spannung des Akkus zu niedrig:  
Die noch vorhandene Akkuladung ist zu niedrig, und das Werkzeug startet nicht. Entnehmen Sie in dieser Situation den Akku und laden Sie den Akku wieder auf.

### Einstellung der Schnittiefe (Abb. 10)

#### ACHTUNG:

- Ziehen Sie den Hebel nach der Einstellung der Schnittiefe stets fest an.

Lösen Sie den Hebel an der Tiefenführung und verstellen Sie den Gleitschuh nach oben oder unten. Arretieren Sie den Gleitschuh an der gewünschten Schnittiefe durch Festziehen des Hebels.

Für einen sauberen, sicheren Schnitt, setzen Sie die Schnittiefe so, dass nur maximal ein Sägeblattzahn unter dem Werkstück herausragt. Die Verwendung der richtigen Schnittiefe minimiert die Gefahr von RÜCKSCHLÄGEN, die zu Personenschäden führen können.

### Gehrungsschnitt (Abb. 11)

Lösen Sie den Hebel am Gehrungsanschlag an der Vorderseite. Neigen Sie das Werkzeug auf den gewünschten Winkel (0° bis 50°) und ziehen Sie anschließend den Hebel fest an.

### Schnittrille (Abb. 12)

Für Geradschnitte richten Sie die Position A an der Vorderseite des Gleitschuhs auf Ihre Schnittrille aus. Für 45°-Gehrungsschnitte richten Sie die Position B an der Vorderseite des Gleitschuhs auf Ihre Schnittrille aus.

### Bedienung des Schalters (Abb. 13)

#### ACHTUNG:

- Achten Sie vor dem Einsetzen des Akkublocks in das Werkzeug darauf, dass sich der Auslöseschalter korrekt bedienen lässt und beim Loslassen auf die Position „OFF“ zurückkehrt.
- Betätigen Sie niemals mit Gewalt die Auslöseschaltung, ohne dabei den Entsperrungshebel zu drücken. Dies kann zu einer Beschädigung des Schalters führen.

Um die versehentliche Betätigung der Auslöseschaltung zu verhindern, ist das Werkzeug mit einer Einschaltsperrung ausgestattet. Um das Werkzeug zu starten, drücken Sie zuerst den Entsperrungshebel, und betätigen Sie den

Ein-/Aus-Schalter. Lösen Sie die Auslöseschaltung aus, um das Werkzeug auszuschalten.

#### **WARNUNG:**

- Zu Ihrer Sicherheit ist das vorliegende Werkzeug mit einem Entriegelungshebel ausgestattet, um zu verhindern, dass das Werkzeug versehentlich gestartet wird. Verwenden Sie NIEMALS das Werkzeug, wenn es durch einfaches Betätigen der Auslöseschaltung, ohne dass Sie dabei den Entsperrungshebel drücken, startet. Geben Sie VOR dem weiteren Gebrauch das Werkzeug an ein MAKITA Servicecenter, um es dort ordnungsgemäß reparieren zu lassen.
- Kleben Sie NIEMALS den Entsperrungshebel zu oder verändern diesen, so dass er seinen Zweck und seine Funktion nicht mehr erfüllt.

## **Einschalten der Lampe**

#### **ACHTUNG:**

- Schauen Sie nicht direkt in das Licht oder in die Lichtquelle.

Um nur das Licht einzuschalten, betätigen Sie die Auslöseschaltung, ohne den Entriegelungshebel zu drücken. Um das Licht und das Werkzeug einzuschalten, drücken Sie den Entriegelungshebel und betätigen Sie dabei die Auslöseschaltung.

#### **HINWEIS:**

- Wischen Sie Schmutz auf der Lampenlinse mit einem Wattestäbchen ab. Achten Sie darauf, die Linse nicht zu verkratzen, da dies die Beleuchtungsstärke mindern kann.
- Verwenden Sie zur Reinigung der Linse kein Benzin, keinen Verdünnern oder Ähnliches. Die Verwendung solcher Flüssigkeiten beschädigt die Linse.

## **MONTAGE**

#### **ACHTUNG:**

- Schalten Sie das Werkzeug stets aus, und entfernen Sie den Akkublock, bevor Sie Arbeiten am Werkzeug ausführen.

## **Montage und Demontage des Sägeblatts (Abb. 14 und 15)**

#### **ACHTUNG:**

- Montieren Sie das Sägeblatt so, dass seine Zähne an der Vorderseite der Maschine nach oben zeigen.
- Verwenden Sie nur den mitgelieferten Makita-Inbusschlüssel zum Demontieren oder Montieren des Sägeblatts.

Zur Demontage des Sägeblatts drücken Sie die Spindelarretierung, um ein Drehen des Sägeblatts zu verhindern, und lösen Sie die Schraube durch Drehen des Inbusschlüssels gegen den Uhrzeigersinn. Nehmen Sie dann Sechskantbolzen, Außenflansch und Sägeblatt ab.

Zum Montieren des Sägeblatts befolgen Sie die Einbauprozedur rückwärts. ZIEHEN SIE DIE SCHRAUBE IM UHRZEIGERSINN FEST AN. **(Abb. 16)**

Vergessen Sie beim Austausch des Sägeblatts nicht, die angefallenen Sägespäne und Staubpartikel vom oberen und unteren Blattschutz zu entfernen. Dies ersetzt jedoch

nicht vor jeder Inbetriebnahme die Überprüfung der Funktion der beweglichen Schutzhaube.

## **Aufbewahrung des Inbusschlüssels (Abb. 17)**

Wenn Sie den Sechskantschlüssel nicht verwenden, bewahren Sie ihn wie in der Abbildung dargestellt auf, damit er nicht verloren geht.

## **Anschluss eines Staubsaugers (Abb. 18 u. 19)**

Um größere Sauberkeit bei der Arbeit zu erzielen, schließen Sie einen Makita Staubsauger an Ihr Werkzeug an. Montieren Sie den Absaugstutzen mit der Schraube an der Maschine. Schließen Sie dann den Schlauch eines Staubsaugers an den Stutzen wie in der Abbildung dargestellt an.

## **BETRIEB**

#### **ACHTUNG:**

- Schieben Sie den Akkublock stets vollständig ein, bis er einrastet. Wenn Sie den roten Bereich oben auf der Taste sehen können, ist der Block nicht ganz eingerastet. Setzen Sie ihn ganz ein, bis der rote Bereich nicht mehr zu sehen ist. Andernfalls kann der Block versehentlich aus dem Werkzeug fallen und Sie oder Personen in Ihrem Umfeld verletzen.
- Schieben Sie das Werkzeug beim Schneiden stets sachte vor. Übermäßige Druckausübung oder Verdrehen des Werkzeugs bewirken eine Überhitzung des Motors und gefährliche Rückschläge, die möglicherweise zu schweren Verletzungen führen können.
- Wenn das Werkzeug bis zur vollständigen Entladung des Akkus betrieben wurde, lassen Sie es 15 Minuten liegen, bevor Sie mit einem neuen Akku fortfahren. **(Abb. 20)**

Halten Sie das Werkzeug mit festem Griff. Das Werkzeug verfügt sowohl über einen vorderen als auch einen hinteren Griff. Verwenden Sie beide Griffe, um so bestmöglich das Werkzeug zu umfassen. Wenn Sie die Säge mit beiden Händen festhalten, vermeiden Sie Verletzungen durch das Sägeblatt. Setzen Sie den Gleitschuh auf das zu schneidende Werkstück auf, ohne dass das Sägeblatt mit ihm in Berührung kommt. Schalten Sie anschließend das Werkzeug ein und warten Sie, bis das Sägeblatt die volle Drehzahl erreicht hat. Schieben Sie nun das Werkzeug flach und gleichmäßig über die Oberfläche des Werkstücks vor, bis der Schnitt vollendet ist.

Um saubere Schnitte zu erzielen, halten Sie eine gerade Schnittlinie und eine gleichmäßige Vorschubgeschwindigkeit ein. Wenn der Schnitt nicht genau Ihrer beabsichtigten Schnittlinie folgt, versuchen Sie nicht, das Werkzeug zurück zur Schnittlinie zu drehen oder mit Gewalt zu schieben. Dies kann zum Einklemmen des Sägeblatts führen und somit zu einem gefährlichen Rückschlag und möglicherweise zu schweren Verletzungen. Betätigen Sie den Schalter, warten Sie auf den Stillstand des Sägeblatts und ziehen Sie dann das Werkzeug zurück. Setzen Sie das Werkzeug an der neuen Schnittlinie an und starten Sie den Sägevorgang erneut. Versuchen Sie dabei, Positionen zu vermeiden, in

denen der Bediener den entstehenden Sägespänen und -staub ausgesetzt ist. Tragen Sie eine Schutzbrille, um Verletzungen zu vermeiden.

## Parallelanschlag (Führungslineal) (Zubehör) (Abb. 21)

Der praktische Parallelanschlag ermöglicht die Ausführung besonders genauer Geradschnitte. Schieben Sie den Parallelanschlag einfach satt anliegend gegen die Werkstückkante, und sichern Sie ihn mit der Feststellschraube an der Vorderseite des Gleitschuhs. Wiederholte Schnitte auf gleiche Breite sind ebenfalls möglich.

## WARTUNG

### ACHTUNG:

- Schalten Sie das Werkzeug stets aus und entfernen Sie den Akkublock, bevor Sie Inspektionen oder Wartungsarbeiten am Werkzeug vornehmen.
- Verwenden Sie zum Reinigen niemals Kraftstoffe, Benzin, Verdünnern, Alkohol oder ähnliches. Dies kann zu Verfärbungen, Verformungen oder Rissen führen.

## Einstellung der 90°-Schnittgenauigkeit (Vertikalschnitt)

Diese Einstellung wurde werkseitig vorgenommen. Sollte sie verstellt sein, müssen die Einstellschrauben mit einem Inbusschlüssel nachjustiert werden, während das Sägeblatt mithilfe eines Einstellendreiecks, Anschlagwinkels, usw. in den Winkel von 90° gebracht wird. (Abb. 22 und 23)

## Ersetzen der Kohlebürsten (Abb. 24)

Entfernen und überprüfen Sie die Kohlebürsten in regelmäßigen Abständen. Ersetzen Sie diese, wenn sie bis zur Verschleißgrenze abgenutzt sind. Halten Sie die Kohlebürsten sauber und sorgen Sie dafür, dass sie locker in den Halterungen liegen.

Beide Kohlebürsten sollten gleichzeitig ersetzt werden. Verwenden Sie nur identische Kohlebürsten. Verwenden Sie einen Schraubendreher, um die Bürstenhalterkappen zu entfernen. Entnehmen Sie die verbrauchten Kohlebürsten, legen Sie die neuen ein und bringen Sie die Bürstenhalterkappen wieder fest an. (Abb. 25)

Um die SICHERHEIT und ZUVERLÄSSIGKEIT des Produkts zu gewährleisten, sollten Reparaturen, Wartungsarbeiten und Einstellungen nur durch von Makita autorisierte Servicecenter durchgeführt und immer Makita-Ersatzteile verwendet werden.

## SONDERZUBEHÖR

### ⚠️ ACHTUNG:

- Für das in diesem Handbuch beschriebene Makita-Gerät werden die folgenden Zubehör- und Zusatzteile empfohlen. Bei Verwendung anderer Zubehör- und Zusatzteile kann es zu Verletzungen kommen. Verwenden Sie Zubehör- und Zusatzteile nur für den vorgesehenen Zweck. Informationen zu diesem Zubehör erhalten Sie von Ihrem Makita-Servicecenter.

- Sägeblätter
- Parallelanschlag (Führungslineal)
- Sechskantschlüssel 5
- Absaugstutzen
- Originalakku und Ladegerät von Makita

### HINWEIS:

- Einige der in der Liste aufgeführten Elemente sind dem Werkzeugpaket als Standardzubehör beigelegt. Diese können in den einzelnen Ländern voneinander abweichen.

### Schallpegel

ENG905-1

Typischer A-bewerteter Schallpegel nach EN60745:

#### Modell DSS500

Schalldruckpegel ( $L_{pA}$ ): 75 dB (A)

Abweichung (K): 3 dB (A)

Unter Arbeitsbedingungen kann der Schallpegel 80 dB (A) überschreiten.

#### Modell DSS501

Schalldruckpegel ( $L_{pA}$ ): 76 dB (A)

Abweichung (K): 3 dB (A)

Unter Arbeitsbedingungen kann der Schallpegel 80 dB (A) überschreiten.

### Tragen Sie Gehörschutz.

### Schwingung

ENG900-1

Schwingungsgesamtwerte (Vektorsumme dreier Achsen) nach EN60745:

Arbeitsmodus: Schneiden von Holz

Schwingungsbelastung ( $a_{h,w}$ ): 2,5 m/s<sup>2</sup> oder weniger

Abweichung (K): 1,5 m/s<sup>2</sup>

ENG901-1

- Der hier angegebene Wert für die erzeugten Schwingungen wurde gemäß dem genormten Testverfahren ermittelt und kann als Vergleich zu anderen Werkzeugen herangezogen werden.
- Der angegebene Wert für die erzeugten Schwingungen ist außerdem für eine vorbeugende Bewertung der Belastung zu verwenden.

### ⚠️ WARNUNG:

- Die Schwingungsbelastung kann bei tatsächlichem Gebrauch des Elektrowerkzeugs in Abhängigkeit von der Handhabung des Elektrowerkzeugs von dem hier aufgeführten Wert abweichen.
- Stellen Sie sicher, dass Schutzmaßnahmen für den Bediener getroffen werden, die auf den unter den tatsächlichen Arbeitsbedingungen zu erwartenden Belastungen beruhen (beziehen Sie alle Bestandteile des Arbeitsablaufs ein, also zusätzlich zu den Arbeitszeiten auch Zeiten, in denen das Werkzeug ausgeschaltet ist oder ohne Last läuft).

### Nur für europäische Länder

ENH101-17

### EG-Konformitätserklärung

**Makita erklärt, dass die nachfolgende(n) Maschine(n):**

Bezeichnung der Maschine(n):

Akku-Kreissäge

Nummer/Typ des Modells: DSS500, DSS501

**den folgenden Richtlinien der Europäischen Union genügt/genügen:**

2006/42/EG

Sie werden gemäß den folgenden Standards oder

Normen gefertigt:

EN60745

Die technischen Unterlagen gemäß 2006/42/EG sind  
erhältlich von:

Makita, Jan-Baptist Vinkstraat 2, 3070, Belgien

31. 12. 2013

A handwritten signature in black ink, appearing to read 'Yasushi Fukaya'.

Yasushi Fukaya  
Direktor

Makita, Jan-Baptist Vinkstraat 2, 3070, Belgien

## ITALIANO (Istruzioni originali)

### Spiegazione della vista generale

- |                          |                           |   |
|--------------------------|---------------------------|---|
| 1. Indicatore rosso      | 10. Blocco dell'albero    | 19. Aspiratore                              |
| 2. Pulsante              | 11. Chiave esagonale      | 20. Vite di regolazione per il taglio a 90° |
| 3. Batteria              | 12. Bullone esagonale     | 21. Squadra triangolare                     |
| 4. Contrassegno a stella | 13. Flangia esterna       | 22. Indicatore di limite                    |
| 5. Leva                  | 14. Lama della sega       | 23. Coperchio supporto della spazzola       |
| 6. Base                  | 15. Flangia interna       | 24. Cacciavite                              |
| 7. Linea di taglio       | 16. Ugello per la polvere |   |
| 8. Sicura di accensione  | 17. Vite                  |   |
| 9. Interruttore          | 18. Tubo                  |   |

## CARATTERISTICHE TECNICHE

Modello	DSS500	DSS501
Diametro lama	136 mm	
Profondità massima di taglio	a 90°	51 mm
	a 45°	35 mm
Velocità senza carico (min <sup>-1</sup> )	3.600	
Lunghezza totale	359 mm	364 mm
Peso netto	2,6 kg	2,7 kg
Tensione nominale	14,4 V CC	18 V CC

- Le caratteristiche tecniche riportate di seguito sono soggette a modifiche senza preavviso in virtù del nostro programma continuo di ricerca e sviluppo.
- Le caratteristiche tecniche e le batterie possono differire da paese a paese.
- Peso, comprensivo di batterie, calcolato in base alla Procedura EPTA 01/2003

### Uso previsto

ENE028-1

L'utensile è progettato per l'esecuzione di tagli in legno, sia dritti in senso longitudinale e trasversale che obliqui, mantenendo un saldo contatto con il pezzo in lavorazione.

## Avvertenze generali di sicurezza per l'uso dell'utensile

GEA010-1

**⚠ AVVERTENZA** Leggere attentamente tutte le avvertenze di sicurezza e le istruzioni. La mancata osservanza delle istruzioni e delle avvertenze riportate di seguito potrebbe provocare scosse elettriche, incendi e/o lesioni gravi.

## Conservare le avvertenze e le istruzioni per riferimenti futuri.

## AVVERTENZE DI SICUREZZA PER LA SEGA CIRCOLARE A BATTERIA

GEB061-4

### Procedure di taglio

1. **⚠ PERICOLO:** Tenere le mani lontane dall'area di taglio e dalla lama. Posizionare la mano che non impugna l'utensile sulla maniglia ausiliaria o sull'alloggiamento del motore. Se entrambe le mani vengono utilizzate per tenere la sega, non c'è il rischio che vengano colpite dalla lama.
2. **Non afferrare il pezzo in lavorazione dalla parte inferiore.** Il coprilama non offre alcuna protezione dalla lama al di sotto del pezzo in lavorazione.
3. **Regolare la profondità di taglio in base allo spessore del pezzo in lavorazione.** La lama deve sporgere al di sotto del pezzo in lavorazione per un tratto inferiore alla lunghezza di uno dei suoi denti.
4. **Non tenere mai il pezzo da tagliare tra le mani o sulle gambe. Fissare il pezzo in lavorazione a una superficie stabile.** È importante supportare correttamente il pezzo in lavorazione per ridurre al minimo l'eventualità di contatto con il corpo, di blocco della lama o di perdita di controllo dell'utensile. **La figura illustra il corretto metodo di posizionamento delle mani e di supporto del pezzo in lavorazione. (Fig. 1)**
5. **Se vengono eseguite operazioni in cui l'utensile di taglio può toccare fili nascosti, impugnare l'utensile solo dai punti di presa isolati.** In caso di contatto con un filo percorso da corrente, le parti metalliche esposte dell'utensile si troveranno anch'esse sotto tensione e potrebbero provocare scosse elettriche all'operatore.
6. **Quando si eseguono tagli longitudinali, utilizzare sempre una guida di taglio.** In tal modo il taglio risulterà più accurato e il rischio di blocco della lama sarà ridotto.
7. **Utilizzare sempre lame con dimensioni e sagoma (romboidale o rotonda) dei fori dell'albero appropriate.** Le lame che non corrispondono alla sagoma o al supporto di montaggio della sega determinano una rotazione eccentrica e provocano la perdita di controllo dell'utensile.
8. **Non utilizzare rondelle o bulloni danneggiati o inappropriati per la lama.** Le rondelle e il bullone della lama sono progettati appositamente per la sega



e garantiscono prestazioni migliori e maggiore sicurezza.

#### **Cause dei contraccolpi e avvertenze correlate**

- Un contraccolpo è una reazione improvvisa dovuta a frizioni, ostacoli o disallineamenti della lama della sega, che provoca il sollevamento improvviso della sega. Se non adeguatamente controllata, quest'ultima può allontanarsi dal pezzo in lavorazione proiettandosi in direzione dell'operatore.
- Quando è ostacolata o bloccata dalla chiusura delle due estremità del taglio, la lama entra in fase di stallo e la reazione del motore fa sì che la sega si muova rapidamente all'indietro verso l'operatore.
- Se la lama si incurva o si disallinea rispetto al taglio, i denti del bordo posteriore della lama colpiscono la superficie superiore del pezzo in lavorazione provocando la fuoriuscita della lama dal taglio e il movimento improvviso dell'utensile verso l'operatore.

I contraccolpi sono determinati dall'uso improprio della sega e/o da procedure o condizioni operative errate e possono essere evitati adottando le specifiche precauzioni illustrate di seguito.

9. **Mantenere una presa salda con entrambe le mani sulla sega e posizionare le braccia in modo da poter contrastare efficacemente i contraccolpi. Posizionare il corpo a destra o a sinistra della lama, evitando di allinearla con la lama stessa.** I contraccolpi possono provocare uno spostamento improvviso della sega all'indietro, ma possono essere controllati dall'operatore adottando precauzioni appropriate.
10. **Quando la lama è incastrata o se si desidera interrompere il taglio per qualsiasi motivo, rilasciare l'interruttore e attendere l'arresto completo della lama senza spostare la sega dal materiale. Per evitare contraccolpi, non rimuovere la sega dal pezzo in lavorazione e non tirarla all'indietro mentre la lama è in movimento.** Esaminare le condizioni operative e attuare gli interventi correttivi necessari per eliminare le cause del blocco della lama.
11. **Quando si riavvia la sega con la lama inserita nel pezzo in lavorazione, centrare accuratamente la lama della sega nel taglio e controllare che i denti della sega non siano inseriti nel materiale.** Se la lama della sega è bloccata o incastrata, il riavvio della sega può provocare l'improvviso innalzamento o un contraccolpo dell'utensile dal pezzo in lavorazione.
12. **Per minimizzare il rischio di ostacolare la lama e per evitare contraccolpi, sostenere adeguatamente i pannelli di grandi dimensioni da tagliare.** I pannelli di grandi dimensioni tendono a flettersi sotto il loro stesso peso. Collocare i sostegni al di sotto del pannello su entrambi i lati, sia vicino alla linea di taglio che all'estremità del pannello.  
**Per evitare contraccolpi, sostenere i pannelli vicino alla linea di taglio. (Fig. 2)**  
**Non applicare i sostegni dei pannelli lontano dalla linea di taglio. (Fig. 3)**
13. **Non utilizzare lame non affilate o danneggiate.** Lame non affilate o in condizioni improprie producono tagli di spessore limitato e determinano il blocco della lama, una frizione eccessiva e pericolosi contraccolpi.

14. **Prima di eseguire il taglio, accertarsi di aver serrato accuratamente le leve di regolazione della profondità e dell'angolazione di taglio della lama.** Se le leve di regolazione della lama si muovono durante il taglio, la lama potrebbe bloccarsi e potrebbero verificarsi contraccolpi.
15. **Prestare particolare attenzione durante il taglio all'interno di pareti esistenti o altre zone cieche.** Avanzando, la parte sporgente della lama può colpire oggetti non visibili e determinare un contraccolpo.
16. **Tenere SEMPRE saldamente l'utensile con entrambe le mani. Non posizionare MAI le mani o le dita dietro la sega.** In caso di contraccolpo, la sega potrebbe arretrare improvvisamente e colpire le mani, provocando gravi lesioni personali. (Fig. 4)
17. **Non forzare mai la sega. Spingere la sega in avanti a una velocità tale da consentire alla lama di eseguire il taglio senza subire rallentamenti.** Una spinta eccessiva sulla sega può comportare tagli non netti o imprecisi, nonché il verificarsi di contraccolpi.

#### **Funzione del coprilama**

18. **Prima di utilizzare la sega, assicurarsi che il coprilama sia posizionato correttamente. Non utilizzare la sega se il coprilama non è libero di muoversi e di chiudersi all'istante. Non bloccare mai il coprilama in posizione aperta.** In caso di caduta accidentale della sega, il coprilama potrebbe deformarsi. Sollevare il coprilama con l'apposita maniglia e accertarsi che sia libero di muoversi e che non entri in contatto con la lama o altre parti dell'utensile, eseguendo prove con diverse angolazioni e profondità di taglio.
19. **Controllare il funzionamento della molla del coprilama. Se il coprilama e la molla non funzionano correttamente, prima di utilizzare la sega è necessario ripristinarne l'efficienza con gli opportuni interventi di manutenzione e/o riparazione.** Parti danneggiate e incrostazioni di resine, collanti o residui di lavorazione possono pregiudicare il corretto funzionamento del coprilama.
20. **Ritirare manualmente il coprilama solo se si devono eseguire tagli speciali come tagli "a immersione" o tagli "combinati".** Sollevare il coprilama utilizzando l'apposita maniglia e rilasciarlo subito dopo che la lama è penetrata nel materiale. Per tutte le altre modalità di taglio, lasciare che il coprilama svolga automaticamente le sue funzioni.
21. **Prima di collocare la sega sul banco o sul pavimento, accertarsi sempre che la lama sia protetta dal coprilama.** Se la lama non è protetta ed è in rotazione, la sega si sposterà all'indietro tagliando tutto ciò che incontra sul suo percorso. Prestare attenzione al tempo necessario per il completo arresto della lama dopo aver rilasciato l'interruttore.
22. **Per controllare il funzionamento del coprilama, aprirlo con le mani e quindi rilasciarlo osservando attentamente la modalità di chiusura. Verificare inoltre che la maniglia per ritrarre il coprilama non tocchi l'involucro dell'utensile.** Lasciare la lama scoperta è MOLTO PERICOLOSO e può determinare il rischio di gravi lesioni personali.

## Avvertenze di sicurezza supplementari

23. **Prestare particolare attenzione quando si eseguono tagli su legno umido, trattato a pressione o con nodi.** Far avanzare l'utensile in maniera uniforme, senza ridurre la velocità della lama, onde evitare il surriscaldamento delle punte della lama.
24. **Non rimuovere il materiale residuo della lavorazione se la lama è in movimento. Prima di rimuovere il materiale residuo della lavorazione, attendere che la lama si arresti completamente.** Le lame continuano a ruotare per inerzia dopo lo spegnimento dell'utensile.
25. **Evitare di tagliare i chiodi.** Prima di eseguire il taglio, esaminare attentamente il pezzo in lavorazione e rimuovere tutti gli eventuali chiodi.
26. **Collocare la superficie più ampia della base della sega sulla parte del pezzo in lavorazione che è saldamente assicurata ai sostegni, non sulla parte destinata a cadere una volta eseguito il taglio.** A titolo di esempio, la Fig. 5 illustra il metodo di taglio CORRETTO dell'estremità di una tavola, mentre la Fig. 6 mostra quello SCORRETTO. Se il pezzo in lavorazione è di dimensioni ridotte, bloccarlo in una morsa. **NON TENERE PEZZI DI PICCOLE DIMENSIONI CON LE MANI!** (Fig. 5 e 6)
27. **Prima di abbassare la sega dopo aver completato il taglio, accertarsi che il coprilama sia chiuso e che la lama si sia completamente arrestata.**
28. **Non utilizzare la sega circolare capovolgendola e bloccandola in una morsa.** Si tratta di una modalità operativa estremamente pericolosa che può provocare incidenti di grave entità. (Fig. 7)
29. **Alcuni materiali contengono prodotti chimici che possono essere tossici.** Prendere le adeguate precauzioni per evitare l'inalazione della polvere e il contatto con la pelle. Attenersi alle istruzioni per la sicurezza del fornitore dei materiali.
30. **Non arrestare la lama della sega applicando una pressione laterale sulla lama stessa.**
31. **Utilizzare esclusivamente le lame indicate nel presente manuale. Non utilizzare dischi abrasivi.**
32. **Mantenere la lama affilata e pulita.** Residui o incrostazioni di collanti e resina sulla lama possono rallentare il taglio aumentando le probabilità di contraccolpi. Per pulire la lama, rimuoverla dall'utensile ed eliminare le incrostazioni con un solvente appropriato, acqua calda o kerosene. Non utilizzare benzina.
33. **Quando si utilizza lo strumento, indossare una protezione acustica e una maschera antipolvere.**

## CONSERVARE QUESTE ISTRUZIONI.

**⚠ AVVERTENZA:**  
NON lasciare che la familiarità acquisita con il prodotto (dovuta all'uso ripetuto) provochi l'incosservanza delle norme di sicurezza. L'USO IMPROPRIO o la mancata osservanza delle norme di sicurezza indicate in questo manuale di istruzioni possono provocare gravi danni alla persona.

## ISTRUZIONI IMPORTANTI PER LA SICUREZZA

ENC007-8

### RELATIVE ALLA BATTERIA

1. **Prima di utilizzare la batteria, leggere tutte le istruzioni e gli avvisi di sicurezza relativi a (1) caricabatteria, (2) batteria e (3) prodotto utilizzato con la batteria.**
2. **Non smontare la batteria.**
3. **Se il tempo di funzionamento è diventato eccessivamente breve, non utilizzare l'utensile.** Potrebbero verificarsi surriscaldamenti, ustioni o esplosioni.
4. **In caso di contatto dell'elettrolita della batteria con gli occhi, sciacquare con acqua fresca e rivolgersi immediatamente a un medico.** Potrebbero verificarsi danni permanenti alla funzionalità visiva.
5. **Non cortocircuitare la batteria:**
  - (1) **Non toccare i terminali della batteria con materiale in grado di condurre elettricità.**
  - (2) **Evitare di conservare la batteria a contatto con oggetti metallici quali chiodi, monete e così via.**
  - (3) **Non esporre le batterie all'acqua o alla pioggia.****Un cortocircuito può provocare un elevato flusso di corrente, surriscaldamento, ustioni o rotture.**
6. **Non conservare l'utensile e la batteria a una temperatura superiore a 50 °C.**
7. **Evitare di smaltire le batterie danneggiate o esaurite bruciandole.** Se esposte al fuoco, le batterie possono esplodere.
8. **Evitare di far cadere o di colpire la batteria.**
9. **Non utilizzare batterie danneggiate.**
10. **Attenersi alle normative della propria area geografica relative allo smaltimento delle batterie.**

## CONSERVARE QUESTE ISTRUZIONI.

### Suggerimenti il prolungamento della durata della batteria

1. **Caricare le batterie prima di scaricarle completamente.**  
Se si nota una diminuzione di potenza dell'utensile, interrompere il lavoro e ricaricare la batteria.
2. **Non ricaricare una batteria già completamente carica.**  
In caso contrario, la durata operativa della batteria potrebbe ridursi.
3. **Caricare la batteria in ambienti con temperatura compresa tra 10 °C e 40 °C.** Prima di caricare una batteria surriscaldata, lasciarla raffreddare.
4. **Caricare la batteria una volta ogni sei mesi se l'utensile rimane inutilizzato per lungo tempo.**

# DESCRIZIONE FUNZIONALE

## ATTENZIONE:

- Prima di regolare o controllare le funzioni dell'utensile, verificare sempre di averlo spento e di aver rimosso la batteria.

## Installazione o rimozione della batteria (Fig. 8)

### ⚠ ATTENZIONE:

- Prima di inserire o rimuovere la batteria, spegnere sempre l'utensile.
- **Durante l'inserimento o la rimozione della batteria, tenere saldamente l'utensile e la batteria stessa.** In caso contrario potrebbero scivolare dalle mani, con conseguenti danni all'utensile, alla batteria e alla persona.

Per rimuovere la batteria è sufficiente estrarla dall'utensile facendo scorrere il pulsante sulla parte anteriore della batteria.

Per inserire la batteria, allineare la linguetta della batteria con la scanalatura nell'alloggiamento e farla scorrere in posizione. Inserire a fondo la batteria fino a bloccarla in posizione con uno scatto. Se è visibile l'indicatore rosso sul lato superiore del pulsante, significa che la batteria non è completamente inserita.

### ⚠ ATTENZIONE:

- inserire a fondo la batteria fino alla scomparsa dell'indicatore rosso. In caso contrario, la batteria potrebbe fuoriuscire accidentalmente dall'utensile, provocando danni all'operatore o a eventuali osservatori.
- Non forzare l'inserimento della batteria. Se la batteria non scorre agevolmente, significa che la manovra di inserimento non è corretta.

## Sistema di protezione della batteria (batteria agli ioni di litio con contrassegno a stella) (Fig. 9)

Le batterie agli ioni di litio con contrassegno a stella sono dotate di una sistema di protezione. Questo sistema interrompe automaticamente l'alimentazione dell'utensile per prolungare la durata della batteria.

L'utensile viene spento automaticamente durante l'uso se l'utensile stesso e/o la batteria vengono utilizzati in una delle condizioni riportate di seguito:

- **Sovraccarico:**  
L'utensile viene utilizzato con modalità che provocano un anomalo assorbimento di corrente. In questa situazione occorre rilasciare l'interruttore di accensione dell'utensile e interrompere l'operazione che ha provocato il sovraccarico dell'utensile stesso. Azionare di nuovo l'interruttore di accensione per riavviare l'utensile.  
Se l'utensile non sia avvia si è verificato un surriscaldamento della batteria. In questa situazione occorre far raffreddare la batteria prima di azionare nuovamente l'interruttore di accensione.
- **Bassa tensione della batteria:**  
La capacità rimanente della batteria è troppo bassa non consente di utilizzare l'utensile. In questo caso occorre rimuovere e ricaricare la batteria.

## Regolazione della profondità di taglio (Fig. 10)

### ATTENZIONE:

- Dopo aver regolato la profondità di taglio, serrare accuratamente la leva.

Allentare la leva presente sul lato della maniglia posteriore e spostare la base verso l'alto o verso il basso. Dopo aver raggiunto la profondità di taglio desiderata, fissare la base serrando la leva.

Per garantire la massima sicurezza e accuratezza, impostare la profondità di taglio in modo che dal pezzo in lavorazione fuoriesca solo un dente della lama. Una regolazione corretta della profondità di taglio consente di ridurre l'eventualità di pericolosi CONTRACCOLPI che possono provocare lesioni personali.

## Tagli obliqui (Fig. 11)

Allentare la leva della piastra di misura dell'inclinazione sulla parte frontale della base. Impostare l'angolo desiderato (0° - 50°) piegando la sega, quindi serrare saldamente la leva.

## Allineamento (Fig. 12)

Per tagli dritti, allineare la linea di taglio con la posizione A sulla parte frontale della base. Per tagli obliqui a 45°, allineare la linea di taglio alla posizione B.

## Azionamento dell'interruttore (Fig. 13)

### ATTENZIONE:

- Prima di inserire la batteria nell'utensile, controllare se l'interruttore funziona correttamente e ritorna alla posizione "SPENTO" una volta rilasciato.
- Non tirare con forza l'interruttore senza aver prima premuto la sicura di accensione. In caso contrario, l'interruttore potrebbe rompersi.

La sicura consente di evitare di azionare involontariamente l'interruttore di accensione. Per accendere l'utensile, premere la sicura e tirare l'interruttore di accensione. Per spegnerlo rilasciare l'interruttore di accensione.

### AVVERTENZA:

- Per la sicurezza personale, questo utensile è dotato di una sicura di accensione che impedisce azionamenti accidentali. NON utilizzare l'utensile se è possibile azionarlo premendo semplicemente l'interruttore di accensione senza premere contemporaneamente la sicura. PRIMA di utilizzare nuovamente la sega, rivolgersi a un centro di assistenza MAKITA per le necessarie riparazioni.
- NON tentare di manomettere o impedire il corretto funzionamento della sicura di accensione.

## Accensione della lampada

### ATTENZIONE:

- Non osservare direttamente la luce o la fonte luminosa. Per accendere solo la lampada, premere l'interruttore di accensione senza premere la sicura di accensione. Per accendere la lampada e utilizzare la sega, premere la sicura e azionare l'interruttore tenendo premuta la sicura di accensione.

#### NOTA:

- Utilizzare un bastoncino rivestito di cotone per pulire la lente della lampada. Fare attenzione a non graffiare la lente della lampada per evitare riduzioni dell'intensità luminosa.
- Per pulire la lente della lampada non utilizzare diluenti, benzina o prodotti chimici analoghi. Queste sostanze possono danneggiare la lente.

## MONTAGGIO

#### ATTENZIONE:

- Prima di eseguire qualsiasi operazione sull'utensile, verificare sempre di averlo spento e di aver rimosso la batteria.

### Rimozione o installazione della lama (Fig. 14 e 15)

#### ATTENZIONE:

- Assicurarsi che la lama sia installata in modo che i denti siano rivolti verso la parte frontale dell'utensile.
- Per installare o rimuovere la lama utilizzare solo la chiave fornita da Makita.

Per rimuovere la lama, premere il blocco dell'albero in modo che la lama non possa ruotare e utilizzare la chiave per allentare il bullone esagonale in senso antiorario. Rimuovere il bullone esagonale, la flangia esterna e la lama.

Per installare la lama, attenersi alla procedura di installazione procedendo in senso inverso. **ACCERTARSI DI AVER FISSATO SALDAMENTE IL BULLONE ESAGONALE RUOTANDOLO IN SENSO ORARIO.** (Fig. 16)

Quando si sostituisce la lama, rimuovere gli accumuli di trucioli dai coprilama superiore e inferiore. Queste operazioni di pulizia non sostituiscono la procedura di controllo del funzionamento del coprilama inferiore, che deve comunque essere eseguita prima di ogni utilizzo.

### Alloggiamento della chiave esagonale (Fig. 17)

Per evitare di perdere la chiave esagonale quando non la si utilizza, collocarla nella posizione illustrata nella figura.

### Collegamento di un aspiratore (Fig. 18 e 19)

Se si desidera eseguire tagli senza produrre polvere, collegare all'utensile un aspiratore Makita. Installare l'ugello per la polvere sull'utensile utilizzando la vite. Collegare quindi il tubo dell'aspiratore all'ugello per la polvere secondo quanto illustrato nella figura.

## FUNZIONAMENTO

#### ATTENZIONE:

- Inserire la batteria completamente fino a quando si blocca in posizione con uno scatto. Se l'area rossa del lato superiore del pulsante è ancora visibile, la batteria non è completamente inserita. Inserire la batteria fino a quando l'area rossa non è più visibile. In caso contrario la batteria può fuoriuscire accidentalmente e provocare lesioni all'operatore o a eventuali osservatori.
- Accertarsi di spostare in avanti l'utensile procedendo in linea retta con regolarità e senza esercitare una

pressione eccessiva. Se si forza o si sposta dalla linea di taglio l'utensile, il motore può surriscaldarsi e si possono verificare pericolosi contraccolpi che possono determinare lesioni personali gravi.

- Se si utilizza continuamente l'utensile fino al completo scaricamento della batteria, attendere 15 minuti prima di continuare a utilizzarlo con una nuova batteria. (Fig. 20)

Tenere saldamente l'utensile con le mani. Lo strumento viene fornito con un'impugnatura frontale e una maniglia posteriore. Utilizzarle entrambe per garantire la presa più sicura. Se entrambe le mani vengono utilizzate per tenere la sega, non potranno essere colpite dalla lama. Collocare la base sul pezzo in lavorazione senza che la lama entri in contatto con il materiale da tagliare. Accendere l'utensile e attendere che la lama raggiunga la massima velocità.

Far avanzare l'utensile sulla superficie del pezzo in lavorazione, procedendo in piano e con regolarità fino al completamento del taglio.

Per ottenere tagli netti e accurati, avanzare in linea retta e con velocità costante. Se durante il taglio si devia dalla linea prevista, evitare di ruotare o forzare l'utensile in modo da ritornare sulla linea di taglio, perché la lama potrebbe bloccarsi e provocare pericolosi contraccolpi e lesioni personali. Rilasciare l'interruttore, attendere che la lama si arresti e quindi rimuovere l'utensile. Riallineare l'utensile con la nuova linea di taglio e riprendere la lavorazione. Evitare le posizioni che espongono l'operatore ai trucioli e alla polvere espulsi dalla sega. Per una maggiore sicurezza, indossare una protezione per gli occhi.

### Guida di taglio (regolo guida) (accessori) (Fig. 21)

La pratica guida di taglio consente di realizzare tagli dritti accuratissimi. Far scorrere la guida di taglio mantenendola aderente a un lato del pezzo in lavorazione e fissarla in posizione con la vite sulla parte frontale della base. La guida consente inoltre di realizzare tagli ripetuti mantenendo uniforme la larghezza del taglio.

## MANUTENZIONE

#### ATTENZIONE:

- Prima di effettuare controlli o operazioni di manutenzione, verificare sempre di aver spento l'utensile e di aver rimosso la batteria.
- Evitare assolutamente di usare benzina, diluenti, solventi, alcol o sostanze simili. In caso contrario, potrebbero verificarsi scoloriture, deformazioni o incrinature.

### Regolazione dell'impostazione di taglio a 90° (taglio verticale)

Questa regolazione è preimpostata dal produttore. In caso fosse necessario correggerla, mettere a punto l'impostazione con le viti di regolazione utilizzando una chiave esagonale e controllando che la lama formi un angolo di 90° con la base mediante una squadra triangolare oppure ad angolo retto. (Fig. 22 e 23)

## Sostituzione delle spazzole di carbone (Fig. 24)

Rimuovere e controllare periodicamente le spazzole di carbone.

Sostituire le spazzole quando sono consumate fino all'indicatore di limite. Mantenere le spazzole di carbone pulite e libere per farle slittare nei supporti.

Entrambe le spazzole di carbone devono essere sostituite contemporaneamente. Utilizzare solo spazzole di carbone identiche.

Rimuovere i coperchi dei portaspazzola con un cacciavite.

Estrarre le spazzole di carbone consumate, inserire le nuove spazzole e fissare le protezioni dei portaspazzola.

### (Fig. 25)

Per mantenere la SICUREZZA e l'AFFIDABILITÀ del prodotto, le riparazioni e qualsiasi altra operazione di manutenzione o regolazione devono essere eseguiti dai centri di assistenza autorizzati Makita utilizzando sempre parti di ricambio Makita.

## ACCESSORI OPZIONALI

### ⚠ ATTENZIONE:

- Si consiglia l'uso dei seguenti accessori per l'utensile Makita descritto in questo manuale. L'uso di qualsiasi altro accessorio potrebbe provocare lesioni personali. Utilizzare gli accessori esclusivamente per l'uso dichiarato.

Per l'assistenza e per ulteriori informazioni su tali accessori, rivolgersi al centro assistenza Makita di zona.

- Lame della sega
- Guida di taglio (regolo guida)
- Chiave esagonale 5
- Ugello per la polvere
- Batteria e caricabatteria originali Makita

### NOTA:

- Alcuni degli accessori elencati potrebbero essere inclusi nella confezione dell'utensile come accessori standard. Gli accessori standard possono differire da paese a paese.

### Rumore

ENG905-1

Il tipico livello di rumore ponderato "A" è determinato in conformità con la norma EN60745:

#### Modello DSS500

Livello di pressione sonora ( $L_{pA}$ ): 75 dB (A)

Variazione (K): 3 dB (A)

Il livello acustico in funzionamento può superare 80 dB (A).

#### Modello DSS501

Livello di pressione sonora ( $L_{pA}$ ): 76 dB (A)

Variazione (K): 3 dB (A)

Il livello acustico in funzionamento può superare 80 dB (A).

### Indossare una protezione acustica.

### Vibrazioni

ENG900-1

Il valore totale delle vibrazioni (somma vettoriale triassiale) è determinato in conformità con la norma EN60745:

Modalità di lavoro: taglio del legno

Emissione delle vibrazioni ( $a_{h,W}$ ): 2,5 m/s<sup>2</sup> o inferiore

Variazione (K): 1,5 m/s<sup>2</sup>

- Il valore di emissione delle vibrazioni dichiarato è stato misurato in conformità con il metodo di test standard e può essere utilizzato per confrontare tra loro diversi utensili.
- Il valore dell'emissione delle vibrazioni dichiarato può anche essere usato per stime preliminari dell'esposizione.

### ⚠ AVVERTENZA:

- L'emissione delle vibrazioni durante l'uso effettivo dell'utensile elettrico può risultare diversa rispetto al valore dichiarato, in base alla modalità d'uso dell'utensile.
- Assicurarsi di individuare le necessarie misure di sicurezza per proteggere l'operatore in base a una stima dell'esposizione nelle condizioni reali di utilizzo (prendendo in considerazione tutte le fasi del ciclo operativo, come quante volte l'utensile viene spento e i periodi in cui rimane inattivo, oltre al tempo di avviamento).

### Solo per i paesi europei

ENH101-17

### Dichiarazione di conformità CE

#### Makita dichiara che le macchine seguenti:

Denominazione dell'utensile:

Sega circolare a batteria

N. modello/Tipo: DSS500, DSS501

#### sono conformi alle seguenti direttive europee:

2006/42/EC

Sono prodotte in conformità agli standard o ai documenti standardizzati riportati di seguito:

EN60745

Il documento tecnico ai sensi della Direttiva europea 2006/42/EC è disponibile presso:

Makita, Jan-Baptist Vinkstraat 2, 3070, Belgio

31. 12. 2013



Yasushi Fukaya  
Direttore

Makita, Jan-Baptist Vinkstraat 2, 3070, Belgio

## NEDERLANDS (Originele instructies)

### Verklaring van het onderdelenoverzicht

1. Rode deel	9. Aan/uit-schakelaar	17. Schroef
2. Knop	10. Asvergrendeling	18. Slang
3. Accu	11. Inbussleutel	19. Stofzuiger
4. Ster-merkteken	12. Zeskantbout	20. Stelschroef voor 90°
5. Hendel	13. Buitenflens	21. Geodriehoek
6. Zool	14. Zaagblad	22. Slijtgrensmarkering
7. Zaaglijn	15. Binnenflens	23. Koolborsteldop
8. Uit-vergrendeling	16. Stofafzuigaansluitmond	24. Schroevendraaier

## TECHNISCHE GEGEVENS

Model	DSS500	DSS501
Diameter zaagblad		136 mm
Max. zaagdiepte	bij 90°	51 mm
	bij 45°	35 mm
Onbelaste snelheid (min <sup>-1</sup> )		3.600
Totale lengte	359 mm	364 mm
Netto gewicht	2,6 kg	2,7 kg
Nominale spanning	14,4V gelijkspanning	18 V gelijkspanning

- Als gevolg van ons doorlopende onderzoeks- en ontwikkelingsprogramma, zijn de technische gegevens van dit gereedschap onderhevig aan veranderingen zonder voorafgaande kennisgeving.
- Specificaties en accu's kunnen van land tot land verschillen.
- Gewicht, inclusief de accu, volgens de EPTA-procedure 01/2003

### Gebruiksdoelinden

ENE028-1

Het gereedschap is bedoeld voor het recht zagen in de lengte- en breedterichting, en verstekzagen onder een hoek in hout, waarbij het gereedschap stevig in contact staat met het werkstuk.

## Algemene veiligheidswaarschuwingen voor elektrisch gereedschap

GEA010-1

**⚠ WAARSCHUWING** Lees alle veiligheidswaarschuwingen en alle instructies. Het niet volgen van de waarschuwingen en instructies kan leiden tot elektrische schokken, brand en/of ernstig letsel.

## Bewaar alle waarschuwingen en instructies om in de toekomst te kunnen raadplegen.

## VEILIGHEIDSWAARSCHUWINGEN SPECIFIEK VOOR EEN ACCUCIRKELZAAG

GEB061-4

### Zaagmethoden

1. **⚠ WAARSCHUWING:** Houd uw handen uit de buurt van het zaaggebied en het zaagblad. Houd met uw andere hand de voorhandgreep of de behuizing van het gereedschap vast. Als u de cirkelzaag met beide handen vasthoudt, kunt u nooit in uw handen zagen.

2. **Reik nooit met uw handen onder het werkstuk.** De beschermkap kan u niet beschermen onder het werkstuk tegen het zaagblad.
3. **Stel de zaagdiepte in overeenkomstig de dikte van het werkstuk.** Minder dan een volledige tandhoogte dient onder het werkstuk uit te komen.
4. **Houd het werkstuk waarin wordt gezaagd nooit vast met uw handen of benen. Zorg dat het werkstuk stabiel is ten opzichte van de ondergrond.** Het is belangrijk het werkstuk goed te ondersteunen om de kans te minimaliseren dat uw lichaam blootgesteld wordt, het zaagblad vastloopt of u de controle over het gereedschap verliest. **Afbeelding van goed vasthouden met uw handen en goede ondersteuning van het werkstuk (zie afb. 1).**
5. **Houd het elektrische gereedschap alleen vast aan het geïsoleerde oppervlak van de handgrepen wanneer u werkt op plaatsen waar het zaagapparatuur met verborgen bedrading in aanraking kan komen.** Door aanraking van onder spanning staande draden, zullen de niet-geïsoleerde metalen delen van het gereedschap onder spanning komen te staan zodat de gebruiker een elektrische schok kan krijgen.
6. **Gebruik bij het schulpen altijd de breedtegeleider of de langsgeleider.** Hierdoor wordt de nauwkeurigheid van het zagen vergroot en de kans op vastlopen van het zaagblad verkleint.
7. **Gebruik altijd zaagbladen met doorngaten van de juiste afmetingen en vorm (diamant versus rond).** Zaagbladen die niet goed passen op de bevestigingsmiddelen van de cirkelzaag, zullen

excentrisch draaien waardoor u de controle over het gereedschap verliest.

- 8. Gebruik nooit een beschadigde of verkeerde bouten en ringen om het zaagblad mee te bevestigen.** De bouten en ringen voor de bevestiging van het zaagblad zijn speciaal ontworpen voor gebruik met uw cirkelzaag voor optimale prestaties en veilig gebruik.

#### **Oorzaken van terugslag en aanverwante waarschuwingen**

- Terugslag is een plotselinge reactie op een beknelde, vastgelopen of niet-uitgelijnd zaagblad, waardoor de oncontroleerbare cirkelzaag omhoog, uit het werkstuk en in de richting van de gebruiker gaat.
- Wanneer het zaagblad beknelde raakt of vastloopt doordat de zaagsnede naar beneden toe smaller wordt, vertraagt het zaagblad en komt als reactie de motor snel omhoog in de richting van de gebruiker.
- Als het zaagblad gebogen of niet-uitgelijnd raakt in de zaagsnede, kunnen de tanden aan de achterrand van het zaagblad zich in het bovenoppervlak van het hout vreten, waardoor het zaagblad uit de zaagsnede klimt en omhoog springt in de richting van de gebruiker.

Terugslag is het gevolg van misbruik van de cirkelzaag en/of onjuiste gebruiksprocedures of -omstandigheden, en kan worden voorkomen door goede

voorzorgsmaatregelen te treffen, zoals hieronder vermeld:

- 9. Houd de cirkelzaag stevig vast met beide handen en houdt uw armen zodanig dat een terugslag wordt opgevangen. Plaats uw lichaam zijwaarts versprongen van het zaagblad en niet in een rechte lijn erachter.** Door terugslag kan de cirkelzaag achterwaarts springen, maar de kracht van de terugslag kan met de juiste voorzorgsmaatregelen door de gebruiker worden opgevangen.
- 10. Wanneer het zaagblad vastloopt, of wanneer u om een of andere reden het zagen onderbreekt, laat u de aan/uit-schakelaar los en houdt u de cirkelzaag stil in het materiaal totdat het zaagblad volledig tot stilstand is gekomen. Probeer nooit het zaagblad uit het werkstuk te halen of de cirkelzaag naar achteren te trekken, terwijl het zaagblad nog draait omdat hierdoor een terugslag kan optreden.** Onderzoek waarom het zaagblad is vastgelopen en tref afdoende maatregelen om de oorzaak ervan op te heffen.
- 11. Wanneer u de cirkelzaag weer inschakelt terwijl het zaagblad in het werkstuk zit, plaatst u het zaagblad in het midden van de zaagsnede en controleert u dat de tanden niet in het materiaal grijpen.** Als het zaagblad is vastgelopen, kan wanneer de cirkelzaag wordt ingeschakeld het zaagblad uit het werkstuk lopen of terugslaan.
- 12. Ondersteun grote platen om de kans te minimaliseren dat het zaagblad beknelde raakt of terugslaat.** Grote platen neigen door te zakken onder hun eigen gewicht. U moet de plaat ondersteunen aan beide zijranden, vlakbij de zaaglijn en vlakbij het uiteinde.  
**Ondersteun de plank of plaat vlakbij de zaaglijn om terugslag te voorkomen (zie afb. 2).**  
**Ondersteun de plank of plaat niet op grote afstand van de zaaglijn (zie afb. 3).**

- 13. Gebruik een bot of beschadigd zaagblad niet meer.** Niet-geslepen of verkeerd gezette tanden maken een smalle zaagsnede wat leidt tot grote wrijving, vastlopen en terugslag.
- 14. De vergrendelhendels voor het instellen van de zaagbladdiepte en verstekhoek moeten vastzitten alvorens te beginnen met zagen.** Als de instellingen van het zaagblad zich tijdens het zagen wijzigen, kan dit leiden tot vastlopen of terugslag.
- 15. Wees extra voorzichtig wanneer u in een bestaande wand zaagt of op een andere plaats waarvan u de onderkant van het zaagoppervlak niet kunt zien.** Wanneer het zaagblad door het materiaal heen breekt, kan het een voorwerp raken waardoor een terugslag optreedt.
- 16. Houd het gereedschap ALTIJD met beide handen stevig vast. Plaats NOOIT uw hand of vingers achter het zaagblad.** Als een terugslag optreedt, kan het zaagblad gemakkelijk achteruit en over uw hand springen waardoor ernstig persoonlijk letsel ontstaat (zie afb. 4).
- 17. Dwing de cirkelzaag nooit. Duw de cirkelzaag vooruit met een snelheid waarbij het zaagblad niet vertraagt.** Als u het zaagblad dwingt, kan dat leiden tot een ongelijkmatige zaagsnede, verminderde nauwkeurigheid en mogelijke terugslag.

#### **Onderste beschermkap**

- 18. Controleer voor ieder gebruik of de onderste beschermkap goed sluit. Gebruik de cirkelzaag niet als de onderste beschermkap niet vrij kan bewegen en onmiddellijk sluit. Zet de onderste beschermkap nooit vast in de geopende stand.** Als u de cirkelzaag per ongeluk laat vallen, kan de onderste beschermkap worden verbogen. Til de onderste beschermkap op aan de terugtrekhandel en controleer dat deze vrij kan bewegen en niet het zaagblad of enig ander onderdeel raakt, onder alle verstekhoeken en op alle zaagdiepten.
- 19. Controleer de werking van de veer van de onderste beschermkap. Als de beschermkap en de veer niet goed werken, dienen deze te worden gerepareerd voordat de cirkelzaag wordt gebruikt.** De onderste beschermkap kan traag werken als gevolg van beschadigde onderdelen, gom- of harsafzetting, of opeenhoping van vuil.
- 20. De onderste beschermkap mag alleen met de hand worden geopend voor het maken van speciale zaagsneden, zoals een "blinde" zaagsnede en "samengestelde" zaagsnede. Til de onderste beschermkap op aan de terugtrekhandel en laat deze los zodra het zaagblad in het materiaal zaagt.** Bij alle andere typen zaagsneden, dient de onderste beschermkap automatisch te werken.
- 21. Let er altijd op dat de onderste beschermkap het zaagblad bedekt voordat u de cirkelzaag op een werkbank of vloer neerlegt.** Een onbeschermd zaagblad dat nog nadraait, zal de cirkelzaag achteruit doen lopen waarbij alles op zijn weg wordt gezaagd. Denk eraan dat nadat de cirkelzaag is uitgeschakeld het nog enige tijd duurt voordat het zaagblad stilstaat.
- 22. U kunt de onderste beschermkap controleren, door deze met de hand te openen, los te laten en te kijken hoe hij sluit. Controleer tevens of de terugtrekhandel de behuizing van het**

gereedschap niet raakt. Het zaagblad onbeschermde laten is UITERST GEVAARLIJK en kan leiden tot ernstig persoonlijk letsel.

#### Aanvullende veiligheidswaarschuwingen

23. Wees extra voorzichtig bij het zagen in nat hout, druk-behandeld timmerhout en hout met knoesten. Zorg ervoor dat de cirkelzaag soepel vooruit blijft gaan zonder dat de snelheid van het zaagblad lager wordt om te voorkomen dat de punten van het zaagblad warm worden.
24. **Probeer niet afgezaagd materiaal te verwijderen terwijl het zaagblad nog draait. Wacht totdat het zaagblad volledig tot stilstand is gekomen voordat u het afgezaagde materiaal vastpakt.** Het zaagblad draait nog na nadat het gereedschap is uitgeschakeld.
25. **Voorkom dat u spijkers raakt. Inspecteer het hout op spijkers en verwijder deze zo nodig voordat u begint te zagen.**
26. **Plaats het bredere deel van de zool van de cirkelzaag op het deel van het werkstuk dat goed is ondersteund, en niet op het deel dat omlaag valt nadat de zaagsnede gemaakt is. Als voorbeeld laat afbeelding 5 zien hoe u het uiteinde van een plank GOED afzaagt, en afbeelding 6 hoe u dit VERKEERD doet. Als het werkstuk kort of smal is, klemt u het vast. PROBEER NOOIT EEN KORT WERKSTUK IN UW HANDEN VAST TE HOUDEN!** (zie afb. 5 en 6)
27. **Voordat u het gereedschap neerlegt na het voltooiën van een zaagsnede, controleert u dat de onderste beschermkap gesloten is en het zaagblad volledig tot stilstand is gekomen.**
28. **Probeer nooit te zagen waarbij de cirkelzaag ondersteboven in een bankschroef is geklemd. Dit is uiterst gevaarlijk en kan leiden tot ernstig persoonlijk letsel (zie afb. 7).**
29. **Sommige materialen bevatten chemische stoffen die giftig kunnen zijn. Neem voorzorgsmaatregelen tegen het inademen van stof en contact met de huid. Volg de veiligheidsinstructies van de leverancier van het materiaal op.**
30. **Breng het zaagblad niet tot stilstand door zijdelings op het zaagblad te drukken.**
31. **Gebruik altijd zaagbladen die in deze gebruiksaanwijzing aanbevolen worden. Gebruik geen slijpschijven.**
32. **Houd het zaagblad scherp en schoon.** Gom of hars dat op het zaagblad is opgedroogd vertraagt het zaagblad en verhoogt de kans op terugslag. Houd het zaagblad schoon door dit eerst van het gereedschap te demonteren en het vervolgens schoon te maken met een reinigingsmiddel voor gom en hars, heet water of kerosine. Gebruik nooit benzine.
33. **Draag een stofmasker en gehoorbescherming tijdens gebruik van het gereedschap.**

## BEWAAR DEZE INSTRUCTIES.

### WAARSCHUWING:

Laat u NIET misleiden door een vals gevoel van comfort en bekendheid met het gereedschap (na veelvuldig gebruik) en neem alle veiligheidsvoorschriften van het betreffende product

altijd strikt in acht. VERKEERD GEBRUIK of het niet volgen van de veiligheidsinstructies in deze gebruiksaanwijzing kan leiden tot ernstig persoonlijk letsel.

## BELANGRIJKE VEILIGHEIDSINSTRUCTIES ENC007-8

### VOOR ACCU'S

1. Alvorens de accu in gebruik te nemen, leest u eerst alle instructies en waarschuwingsofschriften op (1) de acculader, (2) de accu en (3) het apparaat waarin de accu wordt aangebracht.
2. Haal de accu niet uit elkaar.
3. Als de gebruikstijd aanzienlijk korter is geworden, stopt u onmiddellijk met het gebruik. Anders kan dit leiden tot kans op oververhitting, mogelijke brandwonden en zelfs een explosie.
4. Als de elektrolyt in uw ogen komt, wast u deze uit met schoon water en raadpleegt u onmiddellijk een arts. Dit kan leiden tot verlies van gezichtsvermogen.
5. Sluit de accu niet kort:
  - (1) Raak de accupolen niet aan met enig geleidend materiaal.
  - (2) Bewaar de accu niet op een plaats waar deze in aanraking kan komen met andere metalen voorwerpen, zoals spijkers, munten, enz.
  - (3) Stel de accu niet bloot aan water of regen. Kortsluiting van de accu kan leiden tot een hoge stroomsterkte, oververhitting, mogelijke brandwonden en zelfs een defect.
6. Bewaar het gereedschap en de accu niet op plaatsen waar de temperatuur kan oplopen tot 50 °C of hoger.
7. Werp de accu niet in een vuur, zelfs niet als deze al ernstig beschadigd of helemaal versleten is. De accu kan in een vuur exploderen.
8. Wees voorzichtig dat u de accu niet laat vallen of ergens tegenaan stoot.
9. Gebruik nooit een beschadigde accu.
10. Neem de plaatselijke regelgeving met betrekking tot het weggoien van de accu in acht.

## BEWAAR DEZE INSTRUCTIES.

### Tips voor een lange levensduur van de accu

1. Laad de accu op voordat deze volledig leeg is. Wanneer u merkt dat het gereedschap minder vermogen heeft, stopt u met het gebruik ervan en laadt u eerst de accu op.
2. Laad nooit een volledig opgeladen accu op. Te lang opladen verkort de levensduur van de accu.
3. Laad de accu op bij een omgevingstemperatuur van 10 °C tot 40 °C. Laat een warme accu eerst afkoelen voordat u deze oplaadt.
4. Laad de accu ieder half jaar op als u deze gedurende een lange tijd niet gebruikt.



# BESCHRIJVING VAN DE FUNCTIES

## LET OP:

- Controleer altijd of het gereedschap is uitgeschakeld en de accu is verwijderd alvorens de functies van het gereedschap te controleren of af te stellen.

## De accu aanbrengen en verwijderen (zie afb. 8)

### ⚠ LET OP:

- Schakel het gereedschap altijd uit voordat u de accu aanbrengt of verwijderd.
- **Houd het gereedschap en de accu stevig vast tijdens het aanbrengen of verwijderen van de accu.** Als u het gereedschap en de accu niet stevig vasthoudt, kunnen deze uit uw handen glippen en beschadigd raken, of kan persoonlijk letsel worden veroorzaakt.

Om de accu te verwijderen verschuift u de knop aan de voorkant van de accu en schuift u tegelijkertijd de accu eraf.

Om de accu aan te brengen, lijnt u de lip op de accu uit met de groef in de behuizing en duwt u de accu op zijn plaats. Steek de accu zo ver mogelijk erin tot u een klikgeluid hoort. Als u het rode deel aan de bovenkant van de knop kunt zien, is de accu niet goed aangebracht.

### ⚠ LET OP:

- Breng de accu altijd helemaal aan totdat het rode deel niet meer zichtbaar is. Als u dit niet doet, kan de accu per ongeluk uit het gereedschap vallen en u of anderen in uw omgeving verwonden.
- Breng de accu niet met kracht aan. Als de accu niet gemakkelijk erin kan worden geschoven, wordt deze niet goed aangebracht.

## Accu-beveiligingssysteem (lithiumionaccu met een ster-merkteken) (zie afb. 9)

Lithiumionaccu's met een ster-merkteken zijn uitgerust met een beveiligingssysteem. Dit systeem schakelt automatisch de voeding naar het gereedschap uit om de levensduur van de accu te verlengen.

Het gereedschap zal tijdens gebruik automatisch stoppen wanneer het gereedschap en/of de accu zich in een van de volgende omstandigheden bevinden:

- **Overbelasting:**  
Het gereedschap wordt gebruikt op een manier die ertoe leidt dat een abnormaal hoge stroomsterkte uit de accu wordt getrokken.  
Laat in die situatie de aan/uit-schakelaar van het gereedschap los en stop het gebruik dat ertoe leidde dat het gereedschap overbelast werd. Knijp daarna opnieuw de aan/uit-schakelaar in om het gereedschap weer in te schakelen.  
Als het gereedschap niet wordt ingeschakeld, is de accu oververhit. In die situatie laat u de accu eerst afkoelen voordat u opnieuw de aan/uit-schakelaar inknijpt.
- **Lage accuspanning:**  
De resterende acculading is te laag en het gereedschap wordt niet ingeschakeld. Verwijder in die situatie de accu en laad hem op.

## De zaagdiepte instellen (zie afb. 10)

### LET OP:

- Nadat u de zaagdiepte hebt ingesteld, zet u de hendel altijd stevig vast.

Zet de hendel los aan de zijkant van de achterhandgreep en beweeg de zool omhoog en omlaag. Zet de zool vast op de gewenste zaagdiepte door de hendel vast te zetten. Voor een schonere, veiligere zaagsnede, stelt u de zaagdiepte zodanig in dat niet meer dan een tandhoogte door het werkstuk heen steekt. Door de zaagdiepte goed in te stellen, verkleint u de kans op een potentieel gevaarlijke TERUGSLAG, en daarmee op persoonlijk letsel.

## Verticaal verstekzagen (zie afb. 11)

Zet de hendel van de verstekschaalverdeling aan de voorkant van de zool van het gereedschap los. Stel de gewenste verstekhoek in (0° - 50°) door dienovereenkomstig te kantelen, en zet vervolgens de hendel weer vast.

## Zichtlijn (zie afb. 12)

Voor recht zagen lijnt u de positie A op de voorkant van de zool uit met de zaaglijn. Voor verstekzagen onder een hoek van 45°, gebruikt u hiervoor positie B.

## Aan/uit-schakelaar (zie afb. 13)

### LET OP:

- Controleer altijd, voordat u de accu in het gereedschap steekt, of de aan/uit-schakelaar op de juiste manier schakelt en weer terugkeert naar de uit-stand nadat deze is losgelaten.
- Knijp de aan/uit-schakelaar niet hard in zonder de uit-vergrendeling in te duwen. Hierdoor kan de aan/uit-schakelaar kapot gaan.

Om te voorkomen dat de aan/uit-schakelaar per ongeluk wordt bediend, is een uit-vergrendeling aangebracht. Om het gereedschap te starten, duwt u de uit-vergrendeling in en knijpt u de aan/uit-schakelaar in. Laat de aan/uit-schakelaar los om het gereedschap te stoppen.

### WAARSCHUWING:

- Omwille van uw veiligheid is dit gereedschap uitgerust met een uit-vergrendeling die voorkomt dat het gereedschap onbedoeld wordt ingeschakeld. Gebruik het gereedschap NOOIT wanneer dit draait door gewoon de aan/uit-schakelaar in te knijpen zonder de uit-vergrendeling in te duwen. Stuur het gereedschap voor deugdelijke reparatie terug naar een MAKITA-servicecentrum ALVORENS het verder te gebruiken.
- U mag NOOIT de uit-vergrendeling met plakband vastzetten of anderszins de werking en functie ervan te niet doen.

## De lamp inschakelen

### LET OP:

- Kijk niet rechtstreeks in het licht of naar de bron van de lamp.

U mag alleen in de aan/uit-schakelaar knijpen zonder de uit-vergrendeling in te duwen om het licht in te schakelen. Om het licht in te schakelen en het gereedschap te starten, duwt u op de uit-vergrendeling en knijpt u in de aan/uit-schakelaar zonder de uit-vergrendeling in te duwen.

#### OPMERKING:

- Gebruik een wattenstaafje om het vuil van de lens van de lamp te vegen. Wees voorzichtig de lens van de lamp niet te bekrassen om de lichtopbrengst niet te verlagen.
- Gebruik geen benzine, thinner of soortgelijk middel om de lens van de lamp te reinigen. Dergelijke middelen zullen de lens beschadigen.

## ONDERDELEN AANBRENGEN/ VERWIJDEREN

#### LET OP:

- Controleer altijd of het gereedschap is uitgeschakeld en de accu is verwijderd alvorens enige werkzaamheden aan het gereedschap te verrichten.

### Het zaagblad aanbrengen en verwijderen (zie afb. 14 en 15)

#### LET OP:

- Verzeker u ervan dat het zaagblad zodanig wordt aangebracht dat de tanden aan de voorkant van het gereedschap omhoog wijzen.
- Gebruik uitsluitend de Makita-inbussleutel voor het aanbrengen en verwijderen van het zaagblad.

Als u het zaagblad wilt verwijderen, drukt u eerst de asvergrendeling in zodat het zaagblad niet meer kan draaien, en gebruikt u vervolgens de inbussleutel om de inbusbout linksom los te draaien. Verwijder tenslotte de zeskantbout, de buitenflens en het zaagblad.

Om het zaagblad aan te brengen, volgt u de procedure in omgekeerde volgorde. **ZORG ERVOOR DAT U DE INBUSBOUW RECHTSOM STEVIG VASTDRAAIT. (zie afb. 16)**

Vergeet niet tijdens het verwisselen van het zaagblad ook de bovenste en onderste beschermkappen te ontdoen van opgehoopte houtsnippers en spaanders. Ondanks dergelijk onderhoud blijft het noodzakelijk de werking van de onderste beschermkap voor ieder gebruik te controleren.

### Opbergplaats van de inbussleutel (zie afb. 17)

Wanneer u de inbussleutel niet gebruikt, bergt u deze op de plaats aangegeven in de afbeelding op, om te voorkomen dat deze wordt verloren.

### Aansluiten op een stofzuiger (zie afb. 18 en 19)

Wanneer u tijdens het zagen schoon wilt werken, sluit u een Makita-stofzuiger aan op uw gereedschap. Monteer de stofafzuigaansluitmond op het gereedschap met behulp van de schroef. Sluit vervolgens de stofzuigerslang aan op de stofafzuigaansluitmond, zoals aangegeven in de afbeelding.

## BEDIENING

#### LET OP:

- Steek de accu altijd zo ver mogelijk in het gereedschap totdat deze met een klik wordt vergrendeld. Als u het rode deel aan de bovenkant van de knop kunt zien, is de accu niet goed aangebracht. Steek de accu zo ver mogelijk erin tot het rode deel niet meer zichtbaar is. Als u dit niet doet, kan de accu per ongeluk uit het

gereedschap vallen en u of anderen in uw omgeving verwonden.

- Duw het gereedschap voorzichtig in een rechte lijn naar voren. Als u het gereedschap dwing of verdraait, zal de motor oververhit raken en het gereedschap gevaarlijk terugslaan waardoor ernstig letsel kan worden veroorzaakt.
- Als het gereedschap continu wordt bediend totdat de accu leeg is, laat u het gereedschap gedurende 15 minuten liggen alvorens verder te werken met een volle accu. **(zie afb. 20)**

Houd het gereedschap stevig vast. Het gereedschap is voorzien van zowel een voorhandgreep als een achterhandgreep. Gebruik beide om het gereedschap zo goed mogelijk vast te houden. Als u de cirkelzaag met beide handen vasthoudt, kunt u nooit in uw handen zagen. Plaats eerst de zool op het werkstuk dat u wilt zagen, zonder dat het zaagblad het werkstuk raakt. Schakel vervolgens het gereedschap in en wacht totdat het zaagblad op volle snelheid draait. Duw het gereedschap nu gewoon naar voren over het oppervlak van het werkstuk, houd het daarbij vlak, en duw gelijkmatig totdat het zagen klaar is.

Zorg voor een schone zaagsnede voor een rechte zaaglijn en een constante voortgaande snelheid. Als de zaagsnede niet verloopt volgens de voorgenomen zaaglijn, mag u niet proberen het gereedschap iets te draaien of te dwingen terug te keren naar de zaaglijn. Als u dit doet, kan het zaagblad vastlopen en een gevaarlijke terugslag optreden met mogelijk ernstig persoonlijk letsel tot gevolg. Laat de aan/uit-schakelaar los, wacht tot het zaagblad tot stilstand is gekomen en trek vervolgens het gereedschap terug. Lijn het gereedschap opnieuw uit met een nieuwe zaaglijn en begin weer te zagen. Probeer te vermijden dat door de positie van het gereedschap de gebruiker wordt blootgesteld aan zaagsel en spaanders die door het gereedschap worden uitgeworpen. Gebruik oogbescherming om verwonding te voorkomen.

### Breedtegeleider (liniaal) (los verkrijgbaar) (zie afb. 21)

Met de handige breedtegeleider kunt u extra nauwkeurig recht zagen. Schuif gewoon de breedtegeleider strak tegen de zijkant van het werkstuk en zet deze op zijn plaats vast met behulp van de schroef op de voorkant van de zool van het gereedschap. Op deze manier is het tevens mogelijk een zaagbeweging te herhalen met identieke breedte.

## ONDERHOUD

#### LET OP:

- Zorg er altijd voor dat de machine is uitgeschakeld en de accu is verwijderd, voordat u een inspectie of onderhoud uitvoert.
- Gebruik nooit benzine, wasbenzine, thinner, alcohol, enz. Dit kan leiden tot verkleuren, vervormen of barsten.

### De nauwkeurigheid van de zaaghoeken 90° (verticaal) instellen

Deze instelling is reeds in de fabriek gemaakt. Maar als dit niet meer juist is, draait u de instelbouten met een inbussleutel terwijl u de zaaghoek van 90° tussen het zaagblad en de zool van het gereedschap controleert met

behulp van een winkelhaak, geodriehoek, enz. (zie afb. 22 en 23)

## De koolborstels vervangen (zie afb. 24)

Vervijder en controleer de koolborstels regelmatig. Vervang deze wanneer ze tot aan de slijtgrensmarkering zijn afgesleten. Houd de koolborstels schoon en zorg ervoor dat ze vrij kunnen bewegen in de houders. Beide koolborstels dienen tegelijkertijd te worden vervangen. Gebruik alleen identieke koolborstels. Gebruik een schroevendraaier om de koolborsteldoppen te verwijderen.

Haal de versleten koolborstels eruit, plaats de nieuwe erin, en zet de koolborsteldoppen goed vast. (zie afb. 25) Om de VEILIGHEID en BETROUWBAARHEID van het gereedschap te handhaven, dienen alle reparaties, onderhoud en afstellingen te worden uitgevoerd door een erkend Makita-servicecentrum, en altijd met gebruikmaking van originele Makita- vervangingsonderdelen.

## VERKRIJGBARE ACCESSOIRES

### ⚠ LET OP:

- Deze accessoires of hulpstukken worden aanbevolen voor gebruik met het Makita-gereedschap dat in deze gebruiksaanwijzing wordt beschreven. Het gebruik van andere accessoires of hulpstukken kan gevaar voor persoonlijk letsel opleveren. Gebruik de accessoires of hulpstukken uitsluitend voor de aangegeven gebruiksdoeleinden.

Mocht u meer informatie willen hebben over deze accessoires, dan kunt u contact opnemen met uw plaatselijke Makita-servicecentrum.

- Zaagblad
- Breedtegeleider (liniaal)
- Inbussleutel 5
- Stofafzuigaansluitmond
- Originele Makita-accu en -lader

### OPMERKING:

- Sommige items op de lijst kunnen zijn inbegrepen in de doos van het gereedschap als standaard toebehoren. Zij kunnen van land tot land verschillen.

### Geluid

ENG905-1

De typische, A-gewogen geluidsniveaus zijn gemeten volgens EN60745:

#### Model DSS500

Geluidsdruk niveau ( $L_{pA}$ ): 75 dB (A)  
Onzekerheid (K): 3 dB (A)

Het geluidsniveau kan tijdens gebruik hoger worden dan 80 dB (A).

#### Model DSS501

Geluidsdruk niveau ( $L_{pA}$ ): 76 dB (A)  
Onzekerheid (K): 3 dB (A)

Het geluidsniveau kan tijdens gebruik hoger worden dan 80 dB (A).

### Draag gehoorbescherming.

### Trilling

ENG900-1

De totale trillingswaarde (triaxiale vectorsom) zoals vastgesteld volgens EN60745:

Gebruikstoepassing: zagen in hout  
Trillingsemisatie ( $a_{h,w}$ ): 2,5 m/s<sup>2</sup> of minder  
Onzekerheid (K): 1,5 m/s<sup>2</sup>

ENG901-1

- De opgegeven trillingsemisiewaarde is gemeten volgens de standaardtestmethode en kan worden gebruikt om dit gereedschap te vergelijken met andere gereedschappen.
- De opgegeven trillingsemisiewaarde kan ook worden gebruikt voor een beoordeling vooraf van de blootstelling.

### ⚠ WAARSCHUWING:

- De trillingsemisatie tijdens het gebruik van het elektrisch gereedschap in de praktijk kan verschillen van de opgegeven trillingsemisiewaarde afhankelijk van de manier waarop het gereedschap wordt gebruikt.
- Zorg ervoor dat veiligheidsmaatregelen worden getroffen ter bescherming van de operator die zijn gebaseerd op een schatting van de blootstelling onder praktijkomstandigheden (rekening houdend met alle fasen van de bedrijfscyclus, zoals de tijdsduur gedurende welke het gereedschap is uitgeschakeld en stationair draait, naast de ingeschakelde tijdsduur).

### Alleen voor Europese landen

ENH101-17

### EU-verklaring van conformiteit

### Makita verklaart dat de volgende machine(s):

Aanduiding van de machine:

Accucirkelzaag

Modelnr./Type: DSS500, DSS501

### Voldoen aan de volgende Europese richtlijnen:

2006/42/EG

Deze zijn gefabriceerd in overeenstemming met de volgende normen of genormaliseerde documenten: EN60745

Het technische bestand volgens 2006/42/EG is verkrijgbaar bij:

Makita, Jan-Baptist Vinkstraat 2, 3070, België

31. 12. 2013



Yasushi Fukaya  
Directeur

Makita, Jan-Baptist Vinkstraat 2, 3070, België

# ESPAÑOL (Instrucciones originales)

## Explicación de los dibujos

- |                           |                           |                                  |
|---------------------------|---------------------------|----------------------------------|
| 1. Indicador rojo         | 9. Interruptor disparador | 17. Tornillo                     |
| 2. Botón                  | 10. Bloqueo del eje       | 18. Manguera                     |
| 3. Cartucho de la batería | 11. Llave Allen           | 19. Aspirador                    |
| 4. Marca de estrella      | 12. Tornillo hexagonal    | 20. Ajuste del tornillo para 90° |
| 5. Palanca                | 13. Brida exterior        | 21. Escuadra                     |
| 6. Base                   | 14. Hoja de sierra        | 22. Marca de límite              |
| 7. Línea de corte         | 15. Brida interior        | 23. Tapa del portaescobillas     |
| 8. Palanca de bloqueo     | 16. Boquilla de polvo     | 24. Destornillador               |

## ESPECIFICACIONES

Modelo	DSS500	DSS501
Diámetro del disco	136 mm	
Profundidad de corte máxima	a 90°	51 mm
	a 45°	35 mm
Velocidad en vacío ( $\text{mín}^{-1}$ )	3.600	
Longitud total	359 mm	364 mm
Peso neto	2,6 kg	2,7 kg
Tensión nominal	CC de 14,4V	CC de 18V

- Debido a nuestro programa continuo de investigación y desarrollo, las especificaciones aquí descritas están sujetas a cambios sin previo aviso.
- Las especificaciones y el cartucho de la batería pueden variar de un país a otro.
- Peso, con el cartucho de la batería, de acuerdo con el procedimiento EPTA 01/2003

### Uso previsto

ENE028-1

La herramienta está diseñada para realizar cortes rectos y cortes a inglete longitudinal y transversalmente en madera mientras mantiene un firme contacto con la pieza de trabajo.

## Advertencias de seguridad generales para herramientas eléctricas

GEA010-1

**⚠ ADVERTENCIA** Lea todas las advertencias de seguridad y todas las instrucciones. La no observancia de las advertencias y las instrucciones puede provocar descargas eléctricas, incendios y/o lesiones graves.

## Guarde todas las advertencias e instrucciones para futuras consultas.

## ADVERTENCIAS DE SEGURIDAD PARA LA SIERRA CIRCULAR SIN CABLE

GEB061-4

### Procedimientos de corte

1. **⚠ PELIGRO:** Mantenga las manos alejadas del área de corte y del disco. Mantenga su segunda mano en el mango auxiliar o en el alojamiento del motor. Si sujeta la sierra con las dos manos, evitará la posibilidad de sufrir cortes del disco.
2. **Nunca se ponga debajo de la pieza de trabajo.** El protector no puede protegerle del disco debajo de la pieza de trabajo.
3. **Ajuste la profundidad de corte al grosor de la pieza de trabajo.** Debe verse menos de un diente completo del disco por debajo de la pieza de trabajo.
4. **Nunca sujete la pieza que se está cortando en sus manos o entre sus piernas. Fije la pieza de trabajo a una plataforma estable.** Es importante sujetar la pieza de trabajo correctamente para minimizar la exposición del cuerpo, el agarrotamiento del disco o la pérdida de control.  
**Ilustración típica de la correcta colocación de las manos y del correcto soporte de la pieza de trabajo. (Fig. 1)**
5. **Sujete la herramienta solamente por las superficies de agarre aisladas al realizar una operación en que la herramienta de corte pueda entrar en contacto con cables ocultos.** Si entra en contacto con un cable con corriente, puede que las piezas metálicas expuestas de la herramienta eléctrica se carguen también de corriente y que el operario reciba una descarga.
6. **Cuando corte al hilo, utilice siempre un tope lateral o una guía de borde recto.** Esto mejora la precisión del corte y reduce la posibilidad de que el disco se agarrote.
7. **Utilice siempre discos con la forma (diamante o redondo) y el tamaño correctos de los agujeros del eje del disco.** Los discos que no coincidan con los elementos de montaje de la sierra funcionarán de forma excéntrica, lo que causará una pérdida de control.

8. **Nunca utilice arandelas o pernos de disco dañados o incorrectos.** El perno y las arandelas del disco se han diseñado específicamente para su disco, para una seguridad y un rendimiento óptimos.

#### **Causas de contragolpes y advertencias al respecto**

- Un contragolpe es una reacción repentina provocada por un disco mal alineado, comprimido por la madera o agarrotado en ella, que hace perder el control de la sierra y que ésta se levante y salte desde la pieza de trabajo hacia el operario.
- Cuando el corte comprime el disco al cerrarse o hace que éste se agarrote, el disco se atasca y la reacción del motor empuja la unidad rápidamente hacia atrás, hacia el operario.
- Si el disco se tuerce o está mal alineado en el corte, los dientes de su borde posterior pueden clavarse en la superficie posterior de la madera, haciendo que el disco se salga del corte y salte hacia el operario.

El contragolpe es el resultado de un mal uso de la sierra o de condiciones o procedimientos de uso incorrectos y se puede evitar tomando las precauciones que se indican a continuación.

9. **Sujete la sierra firmemente con las dos manos y coloque sus brazos de forma que ofrezcan resistencia a las fuerzas de contragolpe. Coloque su cuerpo a ambos lados del disco, pero no en línea con él.** El contragolpe puede provocar que la sierra salte hacia atrás; no obstante, el operario puede controlar la fuerza del contragolpe si toma las precauciones adecuadas.
10. **Cuando el disco se agarrote o cuando se interrumpa el corte por cualquier motivo, suelte el disparador y mantenga la sierra quieta sobre el material hasta que el disco se detenga por completo. Nunca intente retirar la sierra de la pieza de trabajo ni tire de la sierra hacia atrás mientras el disco esté en movimiento ya que se podría producir un contragolpe.** Investigue la causa del agarrotamiento del disco y tome las acciones correctoras para eliminarlo.
11. **Cuando vuelva a poner en marcha la sierra sobre la pieza de trabajo, centre el disco de la sierra en el corte y compruebe que sus dientes no estén en contacto con el material.** Si el disco de la sierra se agarrota, puede escalar la pieza de trabajo cuando se vuelve a poner en marcha.
12. **Sujete los paneles grandes para minimizar el riesgo de que la madera comprima el disco y se produzca un contragolpe.** Los paneles grandes tienden a hundirse bajo su propio peso. Deben colocarse soportes bajo el panel en ambos lados, cerca de la línea de corte y del borde del panel. **Para evitar los contragolpes, sujete el tablero o el panel cerca del corte. (Fig. 2)**  
**No sujete el tablero o el panel lejos del corte. (Fig. 3)**
13. **No utilice discos romos o dañados.** Los discos sin afilar o mal montados hacen que la entalladura sea estrecha, lo que provoca una fricción excesiva, un agarrotamiento del disco y el contragolpe.
14. **Las palancas de bloqueo del ajuste de bisel y de profundidad del disco deben estar bien apretadas y seguras antes de realizar el corte.** Si el ajuste del

disco cambia durante el corte, se puede producir agarrotamiento y contragolpes.

15. **Tenga especial cuidado cuando sierre en paredes u otras áreas ciegas.** El disco que sobresale puede cortar objetos que pueden provocar contragolpes.
16. **Sujete SIEMPRE la herramienta firmemente con ambas manos. NUNCA coloque la mano o los dedos detrás de la sierra.** Si se produce un contragolpe, la sierra puede saltar fácilmente hacia atrás sobre su mano, lo que provocaría graves lesiones personales. (Fig. 4)
17. **Nunca fuerce la sierra. Empuje la sierra hacia delante a una velocidad en la que el disco corte sin reducir su velocidad.** Si se fuerza la sierra, los cortes pueden ser desiguales, se puede perder precisión y se pueden producir contragolpes.

#### **Función del protector inferior**

18. **Compruebe si el protector inferior está bien cerrado antes de cada uso. No utilice la sierra si el protector inferior no se mueve libremente y se cierra instantáneamente. Nunca sujete ni mantenga el protector inferior en la posición abierta.** Si la sierra cae accidentalmente, la protección inferior se puede doblar. Levante el protector inferior con el mango para retraerlo y asegúrese de que se mueve libremente y que no toca el disco ni ninguna otra parte, en todos los ángulos y profundidades de corte.
19. **Compruebe el funcionamiento del muelle del protector inferior. Si el protector y el muelle no funcionan correctamente, deben repararse antes de utilizar la herramienta.** El protector inferior puede funcionar con lentitud debido a piezas dañadas, depósitos pegajosos o acumulación de suciedad.
20. **El protector inferior puede retrasarse manualmente sólo para cortes especiales como “cortes de inmersión” y “cortes compuestos.” Levante el protector inferior con el mango para retraerlo y, en cuanto el disco entre en el material, suelte el protector inferior.** Para todos los otros cortes con sierra, el protector inferior debe funcionar automáticamente.
21. **Compruebe siempre que el protector inferior cubra el disco antes de colocar la sierra sobre un banco o en el suelo.** Un disco sin proteger, que gire por inercia, puede hacer que la sierra se desplace hacia atrás, cortando lo que esté en su camino. Tenga en cuenta que el disco tarda un tiempo en detenerse después de soltar el interruptor.
22. **Para comprobar el protector inferior, ábralo a mano, suéltelo y compruebe si se cierra. Compruebe también que el mango, para retraerlo, no toque el alojamiento de la herramienta.** Dejar el disco al descubierto es MUY PELIGROSO y puede provocar graves lesiones personales.

#### **Advertencias de seguridad adicionales**

23. **Tenga especial cuidado cuando corte madera mojada, madera sometida a presión, o madera que contenga nudos.** Mantenga un avance suave de la herramienta sin reducir la velocidad del disco para evitar un sobrecalentamiento de las puntas del disco.
24. **No intente retirar material cortado cuando el disco se está moviendo. Espere hasta que el disco se**

detenga antes de recoger el material cortado. Los discos siguen girando por inercia después de apagar la herramienta.

25. Evite cortar clavos. Compruebe si hay clavos y retírelos antes de realizar el corte.
26. Coloque la parte más ancha de la base de la sierra sobre la pieza de trabajo que está sujeta sólidamente, no sobre la sección que caerá cuando se realice el corte. Como ejemplos, la figura 5 ilustra la manera CORRECTA de cortar el extremo de un tablón y la figura 6 la manera INCORRECTA. Si la pieza de trabajo es corta o pequeña, sujétela con el tornillo. ¡NO INTENTE SUJETAR LAS PIEZAS PEQUEÑAS CON LA MANO! (Fig. 5 y 6)
27. Antes de dejar la herramienta tras completar un corte, asegúrese de que el protector inferior se haya cerrado y que el disco se haya detenido por completo.
28. Nunca intente serrar con la sierra circular boca arriba. Es extremadamente peligroso y puede provocar graves accidentes. (Fig. 7)
29. Algunos materiales contienen sustancias químicas que pueden ser tóxicas. Procure evitar la inhalación de polvo y el contacto con la piel. Tenga en cuenta los datos de seguridad del proveedor del material.
30. No detenga los discos mediante presión lateral sobre el disco de la sierra.
31. Utilice siempre los discos recomendados en este manual. No utilice discos abrasivos.
32. Mantenga el disco limpio y afilado. La goma y la resina de madera endurecidas sobre los discos ralentizan la sierra y aumentan el potencial de contragolpe. Para mantener el disco limpio, retírelo de la herramienta, límpielo con un producto para eliminar goma y resina, agua caliente o petróleo. Nunca utilice gasolina.
33. Utilice una mascarilla antipolvo y protección para los oídos cuando utilice la herramienta.

## GUARDE ESTAS INSTRUCCIONES.

### ⚠ ADVERTENCIA:

NO deje que la comodidad o la familiaridad con el producto (a base de utilizarlo repetidamente) sustituya la estricta observancia de las normas de seguridad del producto en cuestión. El MAL USO o la no observancia de las normas de seguridad expuestas en este manual de instrucciones pueden ocasionar graves daños corporales.

## INSTRUCCIONES DE SEGURIDAD IMPORTANTES

ENC007-8

## PARA EL CARTUCHO DE LA BATERÍA

1. Antes de utilizar el cartucho de la batería, lea todas las instrucciones y referencias de precaución que se encuentran en (1) el cargador

de baterías, (2) la batería y (3) el producto que utiliza la batería.

2. No desmonte el cartucho de la batería.
3. Si el tiempo de funcionamiento es excesivamente corto, deje de utilizar la herramienta de inmediato. De lo contrario, existe el riesgo de sobrecalentamiento, quemaduras e incluso explosión.
4. Si se produce contacto ocular con electrolito, enjuáguese los ojos con agua limpia y acuda de urgencia al médico. Corre el riesgo de perder la visión.
5. No cortocircuite el cartucho de la batería:
  - (1) No toque los terminales con material conductor.
  - (2) Evite guardar el cartucho de la batería en un recipiente con otros objetos metálicos, como clavos, monedas, etc.
  - (3) No exponga el cartucho de la batería al agua o a la lluvia.Un cortocircuito puede provocar un elevado flujo de corriente, sobrecalentamiento, quemaduras o incluso una avería.
6. No almacene la herramienta ni el cartucho de la batería en lugares donde la temperatura supere los 50°C (122°F).
7. No queme el cartucho de la batería aunque esté gravemente dañado o completamente gastado. El cartucho de la batería puede explotar si entra en contacto con fuego.
8. Procure que la batería no sufra golpes ni caídas.
9. No utilice una batería dañada.
10. Siga las normativas locales relativas al desecho de la batería.

## GUARDE ESTAS INSTRUCCIONES.

### Consejos para conseguir una mayor duración de la batería

1. Cargue la batería antes de que se descargue por completo. Cuando observe que la herramienta tiene menos potencia, deje de utilizarla y cargue el cartucho de la batería.
2. No recargue nunca un cartucho de batería completamente cargado. La sobrecarga acorta la vida útil de la batería.
3. Cargue el cartucho de la batería a una temperatura ambiente que oscile entre 10°C y 40°C (50°F - 104°F). Antes de cargar un cartucho de batería caliente, deje que se enfríe.
4. Cargue la batería una vez cada seis meses si no la utiliza durante un período de tiempo prolongado.

## DESCRIPCIÓN DEL FUNCIONAMIENTO

### PRECAUCIÓN:

- Asegúrese siempre de apagar la herramienta y extraer el cartucho de la batería antes de intentar realizar cualquier tipo de ajuste o comprobación en ella.

## Instalación o extracción del cartucho de la batería (Fig. 8)

### ⚠ PRECAUCIÓN:

- Apague siempre la herramienta antes de instalar o extraer el cartucho de la batería.
- **Sujete la herramienta y el cartucho de la batería firmemente cuando instale o extraiga el cartucho de la batería.** Si no sujeta la herramienta y el cartucho de la batería firmemente, pueden resbalar de sus manos y pueden producirse daños en la herramienta o el cartucho de la batería, así como lesiones personales.

Para quitar el cartucho de la batería, mantenga pulsado el botón de la parte frontal del cartucho y retírelo.

Para instalar el cartucho de la batería, alinee la lengüeta situada en el cartucho de la batería con la ranura del alojamiento e insértela. Insértelo completamente hasta que quede firmemente encajado con un clic. Si puede ver el indicador rojo de la zona superior del botón, significa que el cartucho no está encajado completamente.

### ⚠ PRECAUCIÓN:

- Instale siempre completamente el cartucho de la batería de forma que el indicador rojo quede oculto. De lo contrario, el cartucho puede desprenderse accidentalmente de la herramienta y causar lesiones al operario o a alguna persona que se encuentre cerca.
- No presione excesivamente el cartucho de la batería para instalarlo. Si el cartucho no entra con suavidad, significa que no lo está instalando correctamente.

## Sistema de protección de la batería (batería de iones de litio con una marca de estrella) (Fig. 9)

Las baterías de iones de litio con una marca de estrella están equipadas con un sistema de protección. Este sistema corta automáticamente la alimentación a la herramienta para ampliar la duración de la batería.

La herramienta se detendrá automáticamente durante el funcionamiento si la herramienta y/o la batería se someten a los siguientes estados.

- Sobrecarga:
  - La herramienta se utiliza de una forma que hace que consuma una cantidad anómalamente alta de corriente.
  - En ese caso, suelte el interruptor disparador de la herramienta y detenga la aplicación que provocaba que la herramienta se sobrecargara. A continuación vuelva a accionar el interruptor disparador para reanudar las operaciones.
  - Si la herramienta no se pone en marcha, la batería se sobrecalienta. En ese caso, deje que la batería se enfríe antes de volver a accionar el interruptor disparador.
- Tensión de la batería baja:
  - La capacidad restante de la batería es demasiado baja y la herramienta no funcionará. En ese caso, extraiga y recargue la batería.

## Ajuste de la profundidad de corte (Fig. 10)

### PRECAUCIÓN:

- Después de ajustar la profundidad de corte, apriete siempre la palanca con firmeza.

Afije la palanca del lateral del mango posterior y mueva la base hacia arriba o hacia abajo. Cuando haya alcanzado la profundidad de corte deseada, fije la base apretando la palanca.

Para lograr cortes más limpios y seguros, fije la profundidad de corte de forma que no se proyecte más de un diente de la hoja por debajo de la pieza de trabajo. El uso de una profundidad de corte correcta ayuda a reducir la posibilidad de peligrosos CONTRAGOLPES que pueden provocar lesiones personales.

## Corte en bisel (Fig. 11)

Afije la palanca de la placa graduada de bisel de la base frontal. Ajuste el ángulo deseado (0° - 50°) mediante la inclinación que corresponda y apriete la palanca firmemente.

## Visor (Fig. 12)

Para cortes rectos, alinee la posición A en la parte delantera de la base con la línea de corte. Para cortes en bisel de 45°, alinee la posición B con la línea de corte.

## Funcionamiento del interruptor (Fig. 13)

### PRECAUCIÓN:

- Antes de insertar el cartucho de la batería en la herramienta, asegúrese siempre de que el interruptor disparador funcione como es debido y que vuelva a la posición "OFF" (apagado) al soltarlo.
- No tire con fuerza del interruptor del disparador sin presionar la palanca de desbloqueo. Se puede romper el interruptor.

Para evitar que el disparador del interruptor se accione accidentalmente se proporciona una palanca de bloqueo. Para poner en marcha la herramienta, presione la palanca de desbloqueo y tire del disparador del interruptor. Suelte el interruptor disparador para detener la herramienta.

### ADVERTENCIA:

- Por su seguridad, esta herramienta está equipada con una palanca de bloqueo que impide que la herramienta se ponga en marcha de forma accidental. NUNCA utilice la herramienta si funciona simplemente pulsando el disparador sin presionar la palanca de desbloqueo. Devuelva la herramienta a un centro de asistencia técnica de MAKITA ANTES de continuar utilizándola.
- NUNCA fije con cinta adhesiva ni impida el funcionamiento ni la finalidad de la palanca de bloqueo.

## Encendido de la lámpara

### PRECAUCIÓN:

- No mire hacia la luz ni mire directamente hacia la fuente de luz.

Para encender sólo la luz, tire del disparador sin presionar la palanca de bloqueo. Para encender la luz y utilizar la herramienta, pulse el disparador mientras mantiene presionada la palanca de bloqueo.

### NOTA:

- Utilice un bastoncillo de algodón para limpiar la suciedad del cristal de la lámpara. Procure no rayar el cristal de la lámpara, puesto que puede disminuir el grado de iluminación.

- No utilice gasolina, disolvente ni ningún producto similar para limpiar la lente de la lámpara. El uso de tales sustancias dañará la lente.

## MONTAJE

### PRECAUCIÓN:

- Asegúrese siempre de apagar la herramienta y extraer el cartucho de la batería antes de intentar realizar cualquier tipo de operación en la herramienta.

### Instalación o extracción del disco (Fig. 14 y 15)

#### PRECAUCIÓN:

- Asegúrese de que el disco esté instalado con los dientes apuntando hacia la parte delantera de la herramienta.
- Utilice sólo la llave de Makita para instalar o extraer el disco.

Para extraer el disco, ejerza presión sobre el bloqueo del eje para que el disco no pueda girar y utilice la llave para aflojar el perno hexagonal en el sentido contrario a las agujas del reloj. A continuación, extraiga el perno hexagonal, la brida exterior y el disco.

Para instalar el disco, siga el procedimiento de extracción a la inversa. **ASEGÚRESE DE APRETAR FIRMEAMENTE EL PERNO HEXAGONAL EN EL SENTIDO DE LAS AGUJAS DEL RELOJ.** (Fig. 16)

Cuando cambie el disco, asegúrese de limpiar también el serrín y las partículas que se hayan acumulado en los protectores superior e inferior del disco. No obstante, tales esfuerzos no sustituyen la necesidad de comprobar el funcionamiento del protector inferior antes de cada uso.

### Almacenamiento de la llave Allen (Fig. 17)

Cuando no la utilice, guarde la llave de Allen como se muestra en la figura para evitar que se pierda.

### Conexión del aspirador (Fig. 18 y 19)

Si desea realizar una operación de corte limpio, conecte una aspiradora Makita a la herramienta. Instale la boquilla de polvo en la herramienta utilizando el tornillo. A continuación, conecte una manguera de la aspiradora a la boquilla de polvo como se muestra en la figura.

## MANEJO

### PRECAUCIÓN:

- Inserte siempre el cartucho de la batería hasta que quede completamente sujeto. Si puede ver la parte roja de la zona superior del botón, significa que el cartucho no está completamente bloqueado. Insértelo completamente hasta que la parte roja quede oculta. De lo contrario, el cartucho puede desprenderse accidentalmente de la herramienta y causar lesiones al operario o a alguna persona que se encuentre cerca.
- Asegúrese de desplazar la herramienta suavemente hacia delante en línea recta. Si se fuerza o se retuerce la herramienta se provocará un sobrecalentamiento del motor y un peligroso contragolpe, que puede causar graves lesiones personales.
- Si la herramienta se utiliza continuamente hasta que el cartucho de la batería se descarga, deje reposar la

herramienta durante 15 minutos antes de continuar con una batería cargada. (Fig. 20)

Sujete firmemente la herramienta. La herramienta se suministra con una empuñadura delantera y un mango trasero. Utilice ambos elementos para sujetar mejor la herramienta. Si ambas manos sujetan la sierra no pueden sufrir cortes de la hoja. Coloque la base sobre la pieza de trabajo que debe cortarse sin que el disco realice ningún contacto. A continuación, encienda la herramienta y espere hasta que el disco alcance la velocidad máxima. Ahora sólo tiene que empujar la herramienta hacia delante sobre la superficie de la pieza de trabajo, manteniéndola plana y avanzando suavemente hasta que el proceso de serrado se haya completado.

Para obtener cortes limpios, mantenga la línea de serrado recta y la velocidad de avance uniforme. Si el corte no sigue correctamente la línea de corte prevista, no intente girar la herramienta ni la fuerce para volver a la línea de corte. El disco puede trabarse y provocar peligrosos contragolpes y posibles lesiones graves. Suelte el interruptor, espere a que el disco se pare y retire la herramienta. Vuelva a alinear la herramienta sobre la línea de corte y reinicie el corte. Intente no colocarse en una postura que exponga al operador a astillas y serrín que se expulsan desde la sierra. Utilice protección ocular para evitar lesiones.

### Tope lateral (regla de guía) (accesorio) (Fig. 21)

El útil tope lateral permite realizar cortes rectos de gran precisión. Sólo tiene que deslizar el tope lateral cómodamente hasta el lateral de la pieza de trabajo y fijarlo en posición con el tornillo de la parte delantera de la base. También hace que los cortes repetidos sean del ancho más uniforme posible.

## MANTENIMIENTO

### PRECAUCIÓN:

- Asegúrese de apagar siempre la herramienta y extraer el cartucho de la batería antes de intentar realizar cualquier trabajo de inspección o mantenimiento en ella.
- Nunca utilice gasolina, benceno, disolvente, alcohol o un producto similar. Se puede provocar una decoloración, una deformación o grietas.

### Ajustar la precisión para obtener un corte de 90° (corte vertical)

Este ajuste se ha realizado en fábrica. No obstante, está desactivado. Ajuste la posición de los tornillos del disco mientras realiza una inspección a 90° respecto a la base, mediante una escuadra o una regla, etc. (Fig. 22 y 23)

### Reemplazo de las escobillas de carbón (Fig. 24)

Extraiga y compruebe las escobillas de carbón regularmente.

Cámbielas cuando el desgaste alcance la marca de límite. Mantenga las escobillas de carbón limpias y de forma que entren libremente en los portaescobillas. Ambas escobillas de carbón deberán ser sustituidas al mismo tiempo. Utilice únicamente escobillas de carbón idénticas.



Utilice un destornillador para extraer las tapas de los portaescobillas.

Saque las escobillas de carbón desgastadas, introduzca las nuevas y cierre las tapas de los portaescobillas.

(Fig. 25)

Para conservar la SEGURIDAD y la FIABILIDAD del producto, los trabajos de reparación y otros trabajos de mantenimiento y ajuste deberán ser realizados en centros de servicio autorizados de Makita, utilizando siempre repuestos Makita.

## ACCESORIOS OPCIONALES

### ⚠ PRECAUCIÓN:

- Se recomienda el uso de estos accesorios o complementos con la herramienta Makita especificada en este manual. El uso de otros accesorios o complementos puede conllevar el riesgo de ocasionar daños corporales. Utilice los accesorios o complementos solamente para su fin establecido.

Si necesita cualquier ayuda para obtener más información relativa a estos accesorios, pregunte a su centro de servicio Makita local.

- Hojas de sierra
- Tope lateral (regla de guía)
- Llave Allen 5
- Boquilla de polvo
- Batería y cargador originales de Makita

### NOTA:

- Algunos elementos de la lista se pueden incluir en el paquete de la herramienta como accesorios estándar. Pueden ser diferentes de un país a otro.

### Ruido ENG905-1

Niveles típicos de ruido ponderado A determinados conforme a EN60745:

#### Modelo DSS500

Nivel de presión de sonido ( $L_{pA}$ ): 75 dB (A)

Incertidumbre (K): 3 dB (A)

El nivel de ruido durante el trabajo puede superar los 80 dB (A).

#### Modelo DSS501

Nivel de presión de sonido ( $L_{pA}$ ): 76 dB (A)

Incertidumbre (K): 3 dB (A)

El nivel de ruido durante el trabajo puede superar los 80 dB (A).

**Utilice protección para los oídos.**

### Vibración ENG900-1

Valor total de la vibración (suma de vectores triaxiales) determinado según el estándar EN60745:

Modo de trabajo: corte de madera

Emisión de vibraciones ( $a_{h,w}$ ): 2,5 m/s<sup>2</sup> o menos

Incertidumbre (K): 1,5 m/s<sup>2</sup>

ENG901-1

- El valor de emisión de vibraciones se ha medido de acuerdo con el método de prueba estándar y se puede utilizar para comparar herramientas.
- El valor de emisión de vibraciones declarado también se puede usar en una evaluación preliminar de la exposición.

### ⚠ ADVERTENCIA:

- La emisión de vibraciones durante el uso de la herramienta eléctrica puede diferir del valor de

emisiones declarado, dependiendo de las formas en que se utiliza la herramienta.

- Asegúrese de identificar las mediciones correctas para proteger al operario, que se basan en una estimación de la exposición en condiciones de uso reales (teniendo en cuenta todas las partes del ciclo de operaciones, como los momentos en los que la herramienta está apagada y cuando funciona al ralentí además del tiempo en que está activado el interruptor).

### Solo para países europeos

ENH101-17

### Declaración de conformidad de la CE

**Makita declara que las siguientes máquinas:**

Designación de la máquina:

Sierra circular sin cable

Nº de modelo/Tipo: DSS500, DSS501

**Cumplen con las siguientes Directivas europeas:**

2006/42/CE

Se han fabricado de acuerdo con los siguientes estándares o documentos estandarizados:

EN60745

El archivo técnico de acuerdo con 2006/42/CE está disponible en:

Makita, Jan-Baptist Vinkstraat 2, 3070, Bélgica

31. 12. 2013



Yasushi Fukaya

Director

Makita, Jan-Baptist Vinkstraat 2, 3070, Bélgica

# PORTUGUÊS (Instruções de origem)

## Descrição geral

- |                         |                        |                                    |
|-------------------------|------------------------|------------------------------------|
| 1. Indicador vermelho   | 9. Gatilho             | 17. Parafuso                       |
| 2. Botão                | 10. Bloqueio do veio   | 18. Tubo flexível                  |
| 3. Bateria              | 11. Chave sextavada    | 19. Aspirador                      |
| 4. Marca de estrela     | 12. Parafuso sextavado | 20. Parafuso de regulação para 90° |
| 5. Alavanca             | 13. Flange exterior    | 21. Guia triangular                |
| 6. Base                 | 14. Lâmina da serra    | 22. Marca limite                   |
| 7. Linha de corte       | 15. Flange interior    | 23. Tampa do porta-escovas         |
| 8. Alavanca de bloqueio | 16. Bico de pó         | 24. Chave de parafusos             |

## ESPECIFICAÇÕES

Modelo	DSS500	DSS501
Diâmetro da lâmina	136 mm	
Profundidade máxima de corte	a 90°	51 mm
	a 45°	35 mm
Sem velocidade de rotação em carga (mín. <sup>-1</sup> )	3.600	
Comprimento total	359 mm	364 mm
Peso líquido	2,6 kg	2,7 kg
Voltagem nominal	D.C. 14,4V	D.C. 18V

- Devido à pesquisa e desenvolvimento constantes, estas especificações estão sujeitas a alteração sem aviso prévio.
- As especificações e o cartucho da bateria podem ser diferentes consoante o país.
- Peso, com a bateria, de acordo com o procedimento EPTA de 01/2003

### Utilização prevista

ENE028-1

Esta ferramenta destina-se a efectuar cortes rectos ao comprido e laterais e cortes angulares em madeira, mantendo um contacto firme com a peça de trabalho.

## Avisos gerais de segurança para ferramentas eléctricas

GEA010-1

**⚠ AVISO** Leia todos os avisos de segurança e todas as instruções. O não cumprimento dos avisos e instruções pode resultar na ocorrência de choques eléctricos, incêndios e/ou ferimentos graves.

## Guarde todos os avisos e instruções para referência futura.

## AVISOS DE SEGURANÇA PARA A SERRA CIRCULAR SEM FIOS

GEB061-4

### Procedimentos de corte

1. **⚠ PERIGO:** Mantenha as mãos afastadas da área de corte e da lâmina. Mantenha a outra mão na pega auxiliar ou caixa do motor. Se ambas as mãos estiverem a segurar a serra, não podem ser cortadas pela lâmina.
2. **Não coloque as mãos por baixo da peça de trabalho.** A protecção não o pode proteger da lâmina debaixo da peça de trabalho.
3. **Ajuste a profundidade de corte para a espessura da peça de trabalho.** Deve ser visível menos do que um dente completo dos dentes da lâmina abaixo da peça de trabalho.

4. **Nunca coloque a peça que está a ser cortada nas mãos ou cima das pernas. Fixe a peça de trabalho a uma plataforma estável.** É importante suportar correctamente a peça de trabalho para minimizar a exposição do corpo, dobragem da lâmina ou perda de controlo.  
**Uma ilustração típica do suporte adequado para as mãos e peça de trabalho. (Fig. 1)**
5. **Quando executar operações em que a máquina de corte possa entrar em contacto com fios eléctricos ocultos, tenha o cuidado de tocar apenas nas superfícies isoladas da máquina.** Se entrar em contacto com um cabo sob tensão, as partes metálicas expostas da ferramenta eléctrica podem ficar igualmente sob tensão, podendo provocar um choque eléctrico no operador.
6. **Quando escarificar, utilize sempre uma vedação para escarificação ou guia de margem direita.** Isto melhora a precisão do corte e reduz as possibilidades de dobragem da lâmina.
7. **Utilize sempre lâminas com o tamanho e forma correctos (diamante em vez de redondo) dos orifícios de alojamento.** As lâminas que não correspondam ao hardware de instalação da serra funcionarão de forma excêntrica, provocando uma perda de controlo.
8. **Nunca utilize anilhas ou parafusos de lâmina danificados ou incorrectos.** As anilhas e parafusos da lâmina foram concebidos especificamente para a sua serra, para uma utilização ideal e segurança de funcionamento.

### Causas de recuos e avisos relacionados

- o recuo é uma reacção súbita a uma lâmina de serra atarracada, empenada ou não alinhada, fazendo com

- que uma serra não controlada se levante para fora da peça de trabalho, na direcção do operador;
- quando a lâmina está atracada ou bastante presa pelo corte a fechar, a lâmina pára e a reacção do motor atira a rapidamente a unidade na direcção do operador;
  - se a lâmina fica torta ou não alinhada no corte, os dentes na parte posterior da lâmina podem enterrar-se na superfície superior da madeira, fazendo com a lâmina suba para fora do corte e salte na direcção do operador.

O recuo é o resultado da má utilização da serra e/ou procedimentos de funcionamento incorrectos e pode ser evitado tomando as devidas precauções, tal como indicado em baixo.

9. **Agarre bem a serra com ambas as mãos e posicione os braços para resistir às forças de recuo. Posicione o seu corpo para um dos lados da lâmina, mas não alinhado com a lâmina.** O recuo pode fazer com que a lâmina salte para trás, mas as forças de recuo podem ser controladas pelo operador, se forem tomadas as devidas precauções.
10. **Quando a lâmina estiver a dobrar ou quando interromper um corte por qualquer razão, solte o gatilho e segure na serra sem a mexer no material, até que a lâmina pare completamente. Nunca tente remover a serra da peça de trabalho ou puxar a serra para trás enquanto a lâmina se estiver a mover, caso contrário, poderá ocorrer um recuo.** Investigue e tome acções correctivas para eliminar a causa do empeno da lâmina.
11. **Quando reiniciar uma serra na peça de trabalho, centre a lâmina da serra no corte e verifique se os dentes da serra não estão presos ao material.** Se a lâmina da serra estiver a dobrar, poderá levantar ou recuar da peça de trabalho, quando a serra é reiniciada.
12. **Dê suporte aos painéis de grandes dimensões, para minimizar o risco de atracar a lâmina e de recuo.** Os painéis de grandes dimensões tendem a abater sob o seu próprio peso. Os suportes devem ser colocados debaixo do painel em ambos os lados, perto da linha de corte e perto da margem da extremidade do painel.  
**Para evitar recuo, dê suporte à prancha ou painel perto do corte. (Fig. 2)**  
**Não suporte a prancha ou painel longe do corte. (Fig. 3)**
13. **Não utilize lâminas rombas ou danificadas.** As lâminas rombas ou incorrectamente configuradas produzem um corte estreito, causando fricção excessiva, atracamento da lâmina e recuo.
14. **As alavancas de regulação da profundidade da lâmina e bisel devem estar apertadas e fixas antes de cortar.** Se a regulação da lâmina mudar durante o corte, pode provocar a dobragem da lâmina e recuo.
15. **Tenha um cuidado especial quando serrar paredes existentes ou outras zonas cegas.** A lâmina saliente pode cortar objectos que provoquem recuo.
16. **Segure SEMPRE a ferramenta com firmeza, com as duas mãos. NUNCA coloque a mão ou dedos atrás da serra.** Se ocorrer recuo, a serra pode facilmente

saltar para trás para cima da mão, provocando ferimentos graves. (Fig. 4)

17. **Nunca force a serra. Empurre a serra para a frente devagar, de forma a que a lâmina corte sem abrandar.** Forçar a serra pode causar cortes irregulares, perda de precisão e possível recuo.

#### Função da protecção inferior

18. **Verifique se a protecção inferior fecha correctamente antes de cada utilização. Não accione a serra se a protecção inferior não se mover livremente e não se fechar imediatamente. Nunca prenda ou amarre a protecção inferior na posição aberta.** Se a serra cair acidentalmente, a protecção inferior pode estar dobrada. Levante a protecção inferior com a alavanca de recolha e certifique-se de que se move livremente e não toca na lâmina ou qualquer outra parte, em todos os ângulos e profundidades de corte.
19. **Verifique o funcionamento da mola da protecção inferior. Se a protecção e a mola não estiverem a funcionar correctamente, deve ser efectuada uma operação de manutenção antes de utilizar.** A protecção inferior pode funcionar de forma lenta devido a peças danificadas, depósitos aderentes ou acumulação de resíduos.
20. **A protecção inferior deve ser recolhida manualmente, apenas para cortes especiais tais como “cortes a fundo” e “cortes compostos”.** Levante a protecção inferior utilizando a alavanca de recolha logo que a lâmina entre no material, a protecção inferior deve ser libertada. Para todas as outras operações de serragem, a protecção inferior deve funcionar automaticamente.
21. **Verifique sempre se a protecção inferior está a cobrir a lâmina antes de apoiar a lâmina num banco ou chão.** Uma lâmina desprotegida e a abrandar fará com que a serra avance para trás, cortando tudo o que estiver no seu caminho. Tenha em conta o tempo que a lâmina demora a parar após o interruptor ser libertado.
22. **Para verificar a protecção inferior, abra-a à mão e solte, verificando se fecha correctamente. Verifique igualmente se a alavanca de recolha não toca na caixa da ferramenta.** Deixar a lâmina exposta é MUITO PERIGOSO e pode levar a ferimentos pessoais graves.

#### Avisos de segurança adicionais

23. **Tenha muito cuidado quando cortar madeira húmida, madeira com tratamento de pressão ou madeira com nós.** Mantenha um avanço suave da ferramenta sem diminuir a velocidade da lâmina para evitar sobreaquecer as pontas das lâminas.
24. **Não tente remover material cortado quando a lâmina se estiver a mover. Aguarde até que as lâminas parem antes de retirar material cortado.** As lâminas continuam a funcionar após a desligação.
25. **Evite cortar pregos. Verifique e remova quaisquer pregos da madeira antes de cortar.**
26. **Coloque a parte mais larga da base da serra nessa parte da peça de trabalho que está bem apoiada e não na secção que cairá quando o corte for efectuado. Como exemplos, a Fig. 5 ilustra a foram CORRECTA de cortar a extremidade de uma**

prancha e a Fig. 6 a forma INCORRECTA. Se a peça de trabalho for curta ou pequena, fixe-a. **NÃO TENTE SEGURAR AS PEÇAS CURTAS COM A MÃO!** (Fig. 5 e 6)

27. Antes de pousar a ferramenta após concluir um trabalho, certifique-se de que a protecção inferior está fechada e se a lâmina parou completamente.
28. Nunca tente serrar com a serra circular virada ao contrário num torno. Isto é extremamente perigoso e pode levar a acidentes graves. (Fig. 7)
29. Alguns materiais contêm químicos que podem ser tóxicos. Tenha cuidado para evitar a inalação e o contacto da pele com o pó produzido. Obedeça às instruções de segurança do fornecedor do material.
30. Não pare as lâminas utilizando pressão lateral na lâmina da serra.
31. Utilize sempre as lâminas recomendadas neste manual. Não utilize quaisquer rodas abrasivas.
32. Mantenha a lâmina afiada e limpa. A goma e nós da madeira duros nas lâminas abrandam a serra e aumentam o potencial de recuo. Mantenha a lâmina limpa removendo-a da ferramenta e limpando-a com removedor de goma e crude, água quente ou querosene. Nunca utilize gasolina.
33. Use uma máscara contra o pó e protecção para os ouvidos quando utilizar a ferramenta.

## GUARDE ESTAS INSTRUÇÕES.

### AVISO:

NÃO deixe que o conforto ou familiaridade com o produto (obtida de uma utilização regular) substituam um cumprimento severo das regras de segurança do produto em causa. Uma UTILIZAÇÃO INCORRECTA ou não cumprimento das regras de segurança indicadas neste manual de instruções podem provocar ferimentos pessoais sérios.

## INSTRUÇÕES DE SEGURANÇA IMPORTANTES

ENC007-8

### RELATIVAS À BATERIA

1. Antes de utilizar a bateria, leia as instruções e chamadas de atenção de: (1) o carregador da bateria, (2) a bateria e (3) o produto que utiliza a bateria.
2. Não desmonte a bateria.
3. Se o tempo de utilização com a bateria se tornar demasiado curto, deve parar imediatamente. Se continuar, pode causar sobreaquecimento, incêndio e mesmo explosão.
4. Se o electrólito entrar em contacto com os olhos, enxágue-os com água limpa e consulte imediatamente um médico. Os riscos incluem perda de visão.
5. Não provoque um curto-circuito na bateria:
  - (1) Não deixe que quaisquer materiais condutores entrem em contacto com os terminais da bateria.
  - (2) Evite guardar a bateria juntamente com outros objectos de metal como pregos, moedas, etc.

- (3) Não exponha a bateria a água ou chuva. Um curto-circuito na bateria pode criar uma grande carga eléctrica, sobreaquecimento, fogo e uma quebra da corrente.
6. Não guarde a ferramenta e a bateria em locais onde a temperatura possa atingir ou exceder 50°C (122°F).
7. Não incinere a bateria, nem mesmo se esta estiver irremediavelmente danificada ou completamente gasta. Pode explodir e causar um incêndio.
8. Não a deixe cair e evite o choque com outros objectos.
9. Não utilize uma bateria danificada.
10. Siga os regulamentos locais relacionados com a eliminação da bateria.

## GUARDE ESTAS INSTRUÇÕES.

### Sugestões para o máximo de tempo de vida da bateria

1. Não espere que a bateria se gaste completamente para voltar a carregá-la. Pare a ferramenta e carregue a bateria sempre que detectar um baixo nível de energia.
2. Nunca volte a carregar uma bateria já completamente carregada. O carregamento excessivo diminui o tempo de vida das baterias.
3. Carregue a bateria em locais onde a temperatura se situe entre 10°C e 40°C (50°F - 104°F). Se a bateria estiver quente, deixe-a arrefecer antes de iniciar o carregamento.
4. Carregue a bateria uma vez a cada seis meses se não a utilizar durante um longo período.

## DESCRIÇÃO DO FUNCIONAMENTO

### PRECAUÇÃO:

- Certifique-se sempre de que a ferramenta está desligada e a bateria foi removida antes de proceder a ajustamentos ou testar acessórios.

### Inserir ou retirar a bateria (Fig. 8)

#### PRECAUÇÃO:

- Desligue sempre a ferramenta antes de instalar ou retirar a bateria.
- **Segure bem a ferramenta e a bateria quando instalar ou retirar a bateria.** Se não segurar bem a ferramenta e a bateria, pode fazer com que caiam das mãos e provoquem danos na ferramenta e na bateria e ferimentos pessoais.

Para retirar a bateria, mantenha premido o botão na frente da bateria e puxe.

Para colocar a bateria, alinhe a respectiva saliência com a calha do compartimento e encaixe-a suavemente. Insira-a completamente até fixar em posição com um clique. Se ainda estiver visível o indicador vermelho na parte superior do botão, não estará bem encaixado.

#### PRECAUÇÃO:

- Instale sempre a bateria completamente, até deixar de ver o indicador vermelho. Caso contrário, pode cair da

ferramenta e causar ferimentos em si, ou em alguém que esteja perto de si.

- Não instale a bateria forçosamente. Se não encaixar facilmente é porque não está correctamente posicionada.

## Sistema de protecção da bateria (Bateria de íões de lítio com uma marca de estrela) (Fig. 9)

As baterias de íões de lítio com uma marca de estrela estão equipadas com um sistema de protecção. Este sistema corta automaticamente a alimentação para prolongar a vida útil da bateria.

A ferramenta pára automaticamente durante o funcionamento quando a ferramenta e/ou bateria são colocadas numa das condições seguintes:

- Sobrecarregada:  
A ferramenta é utilizada de tal forma que atrai uma corrente involuntariamente alta. Nesta situação, solte o gatilho da ferramenta e pare a aplicação que causou a sobrecarga. De seguida, prima novamente o gatilho para reiniciar. Se a ferramenta não ligar, a bateria está sobreaquecida. Nesta situação, deixe a bateria arrefecer antes de premir novamente o gatilho.
- Tensão baixa da bateria:  
A carga restante da bateria é demasiado baixa e a ferramenta não funciona. Nesta situação, retire e recarregue a bateria.

## Regular a profundidade de corte (Fig. 10)

### PRECAUÇÃO:

- Após regular a profundidade de corte, aperte sempre bem a alavanca.

Desaperte a alavanca na parte lateral da alavanca posterior e mova a base para cima ou para baixo. Na profundidade de corte pretendida, fixe a base apertando a alavanca.

Para cortes mais limpos e seguros, defina a profundidade de corte de forma a que não mais de um dente de uma lâmina seja projectado abaixo da peça de trabalho. Utilizar uma profundidade de corte correcta reduz o potencial para RECUOS perigosos que podem causar ferimentos pessoais.

## Corte em bisel (Fig. 11)

Desaperte a alavanca na chapa de escala de bisel na base dianteira. Regule para o ângulo pretendido (0° - 50°) inclinando de forma correcta e aperte bem a alavanca.

## Alinhamento (Fig. 12)

Para cortes a direito, alinhe a posição A na frente da base com a linha de corte. Para cortes de bisel de 45°, alinhe-a com a posição B.

## O gatilho/interruptor (Fig. 13)

### PRECAUÇÃO:

- Antes de inserir a pilha na ferramenta, verifique se o gatilho está a funcionar correctamente e se volta à posição "OFF" quando o solta.
- Não puxe com força o gatilho sem pressionar a alavanca de bloqueio. Isto poderá quebrar o interruptor.

Para evitar que o gatilho seja acidentalmente puxado, é fornecida uma alavanca de bloqueio. Para iniciar a ferramenta, pressione a alavanca de bloqueio e puxe o gatilho. Para parar a ferramenta, solte o gatilho.

### AVISO:

- Para a sua segurança, esta ferramenta está equipada com uma alavanca de bloqueio, o que evita que a ferramenta se ligue acidentalmente. NUNCA utilize a ferramenta se esta funcionar quando premir o gatilho sem premir a alavanca de bloqueio. Devolva a ferramenta a um centro de serviço MAKITA para que seja correctamente reparada ANTES de utilizar.
- NUNCA coloque fita-cola ou desactive o objectivo e função da alavanca de bloqueio.

## Acender a lâmpada

### PRECAUÇÃO:

- Não olhe directamente para a luz da ferramenta. Para apenas acender a luz, puxe o gatilho sem pressionar a alavanca de bloqueio. Para acender a luz e utilizar a ferramenta, prima a alavanca de bloqueio e puxe o gatilho com a alavanca de bloqueio a ser premida.

### NOTA:

- Para limpar a lâmpada, utilize um cotonete. Tenha cuidado para não riscar a lente da lâmpada, pois poderia diminuir a intensidade da iluminação.
- Não utilize gasolina, diluente ou semelhantes para limpar a lente de uma lâmpada. Utilizar tais substâncias danificará a lente.

## MONTAGEM

### PRECAUÇÃO:

- Certifique-se sempre de que a ferramenta está desligada e a bateria removida, antes de efectuar qualquer operação com acessórios.

## Retirar ou instalar a lâmina (Fig. 14 e 15)

### PRECAUÇÃO:

- Certifique-se de que a lâmina está instalada com os dentes a apontar para a frente da ferramenta.
- Utilize apenas uma chave Makita para instalar ou remover a lâmina.

Para remover a lâmina, prima o bloqueio do veio de forma a que a lâmina não possa voltar-se e utilize a chave para desapertar o parafuso sextavado no sentido contrário ao dos ponteiros do relógio. De seguida, remova o parafuso sextavado, flange exterior e lâmina.

Para instalar a lâmina, siga o procedimento inverso de remoção. **CERTIFIQUE-SE DE QUE APERTA BEM O PARAFUSO SEXTAVADO NO SENTIDO DOS PONTEIROS DO RELÓGIO. (Fig. 16)**

Quando mudar a lâmina, certifique-se de que limpa igualmente as partículas e resíduos acumulados das protecções superiores e inferiores da lâmina. No entanto, tais esforços não substituem a necessidade de verificar o funcionamento da protecção inferior antes de cada utilização.

## Armazenamento da chave sextavada (Fig. 17)

Quando não estiver a ser utilizada, guarde a chave sextavada tal como indicado na ilustração, para evitar que se perca.

## Ligar a um aspirador (Fig. 18 e 19)

Quando pretender efectuar uma operação de corte limpo, ligue um aspirador Makita à sua ferramenta. Instale o pino de pó na ferramenta utilizando o parafuso. De seguida, ligue um tubo flexível do aspirador ao pino de pó, tal como indicado na ilustração.

## FUNCIONAMENTO

### PRECAUÇÃO:

- Introduza sempre o cartucho da bateria até ao fundo, até que encaixe. Se ainda estiver visível a peça vermelha na parte superior do botão, não estará bem encaixada. Inspira-a completamente, até deixar de ver a peça vermelha. Caso contrário, pode cair da ferramenta e causar ferimentos em si, ou em alguém que esteja perto de si.
- Certifique-se de que move suavemente a ferramenta para a frente numa linha recta. Forçar ou torcer a ferramenta resultará num sobreaquecimento do motor e recuos perigosos, causando possivelmente ferimentos graves.
- Se mantiver a ferramenta a funcionar ininterruptamente até a bateria se gastar completamente, deixe-a em repouso durante 15 minutos antes de substituir a bateria. (Fig. 20)

Segure bem na ferramenta. A ferramenta é fornecida com um apoio dianteiro e pega traseira. Utilize ambos para agarrar bem a ferramenta. Se ambas as mãos estiverem a segurar a serra, não podem ser cortadas pela lâmina. Defina a base na peça de trabalho a cortar, sem que a lâmina faça qualquer contacto. De seguida, ligue a ferramenta e aguarde até que a lâmina atinja a velocidade máxima. Agora, basta mover a ferramenta para a frente na superfície da peça de trabalho, mantendo-a nivelada e avançando suavemente até que termine de serrar.

Para obter cortes limpos, mantenha a linha de serra a direito e a velocidade de avanço uniforme. Se o corte não seguir de forma adequada a linha de corte pretendida, não tente rodar ou forçar a ferramenta novamente para a linha de corte. Ao fazê-lo poderá dobrar a lâmina e levar a recuos perigosos e possíveis ferimentos graves. Solte o interruptor, aguarde que a lâmina pare e retire a ferramenta. Realinhe a ferramenta numa nova linha de corte e comece outra vez a cortar. Tente evitar um posicionamento que exponha o operador a farpas e serrim que são ejectados da serra. Use protecção para os olhos para ajudar a evitar ferimentos.

## Vedação para escarificação (guia paralela) (Acessório) (Fig. 21)

A vedação para escarificação permite que faça cortes a direito bastante precisos. Basta deslizar a vedação para escarificação ao longo da peça de trabalho e fixe-a com o parafuso na frente da base. Possibilita igualmente que faça cortes repetidos com larguras uniformes.

## MANUTENÇÃO

### PRECAUÇÃO:

- Certifique-se sempre de que a ferramenta está desligada e a bateria removida antes de efectuar operações de inspecção ou de manutenção.
- Nunca utilize gasolina, benzina, diluente, álcool ou semelhante. Podem formar-se descolorações, deformações ou fissuras.

## Regular para precisão de cortes a 90° (corte vertical)

Esta regulação foi feita na fábrica. Mas se estiver incorrecta, ajuste os parafusos de regulação com uma chave sextavada enquanto inspeciona 90° da lâmina com a base, utilizando uma régua triangular ou régua quadrada, etc. (Fig. 22 e 23)

## Substituir as escovas de carvão (Fig. 24)

Remova e verifique regularmente as escovas de carvão. Substitua-as quando o desgaste atingir a marca limite.

Mantenha-as limpas e soltas para poderem deslizar nos suportes.

Substitua as duas ao mesmo tempo. As escovas de um mesmo par utilizado devem ser idênticas.

Utilize uma chave de parafusos para remover as tampas do porta-escovas.

Retire as escovas usadas, coloque umas novas e fixe as tampas do porta-escovas. (Fig. 25)

Para manter os níveis de SEGURANÇA e FIABILIDADE definidos para este produto, reparações, operações de manutenção ou ajustes devem ser executados por centros de assistência Makita autorizados e, no caso de substituição de peças, estas devem ser igualmente Makita.

## ACESSÓRIOS OPCIONAIS

### ⚠ PRECAUÇÃO:

- Os seguintes acessórios ou extensões são os recomendados para utilizar com a ferramenta Makita especificada neste manual. A utilização de quaisquer outros acessórios poderá representar um risco de ferimento para as pessoas. Apenas utilize o acessório para o fim indicado.

Se precisar de informações adicionais relativas aos acessórios, contacte o centro local de assistência Makita.

- Lâminas da serra
- Vedação para escarificação (guia paralela)
- Chave sextavada 5
- Bico de pó
- Bateria e carregador genuínos da Makita

### NOTA:

- Alguns itens na lista podem estar incluídos no pacote de ferramentas como acessórios de série. Podem diferir de país para país.

## Ruído

ENG905-1

Os níveis acústicos ponderados A típicos foram determinados segundo a EN60745:

### Modelo DSS500

Nível de pressão sonora ( $L_{pA}$ ): 75 dB (A)

Imprecisão (K): 3 dB (A)

O nível de ruído quando em funcionamento pode exceder os 80 dB (A).

### Modelo DSS501

Nível de pressão sonora ( $L_{pA}$ ): 76 dB (A)

Imprecisão (K): 3 dB (A)

O nível de ruído quando em funcionamento pode exceder os 80 dB (A).

**Use protecção para os ouvidos.**

## Vibração

ENG900-1

O valor total da vibração (soma triaxial de vectores) foi determinado segundo a EN60745:

Modo de trabalho: cortar madeira

Emissão de vibração ( $a_{h,W}$ ): 2,5 m/s<sup>2</sup> ou menos

Imprecisão (K): 1,5 m/s<sup>2</sup>

ENG901-1

- O valor da emissão de vibração declarado foi medido de acordo com o método de teste padrão e pode ser utilizado para comparar uma ferramenta com outra.
- O valor da emissão de vibração declarado pode também ser utilizado numa avaliação preliminar de exposição.

### AVISO:

- A emissão de vibração durante a utilização real da ferramenta eléctrica pode ser diferente do valor de emissão declarado, dependendo da forma como a ferramenta é utilizada.
- Certifique-se de que identifica medidas de segurança, para proteger o operador, que são baseadas numa estimativa de exposição nas condições reais de utilização (tendo em conta todas as partes do ciclo de funcionamento, como as vezes que a ferramenta é desligada e quando está a trabalhar ao ralenti, além do tempo de utilização).

## Apenas para países europeus

ENH101-17

### Declaração de conformidade CE

#### A Makita declara que as máquinas:

Designação da máquina:

Serra circular sem fios

Nº/Tipo de modelo: DSS500, DSS501

#### Estão em conformidade com as directivas europeias seguintes:

2006/42/EC

São fabricadas de acordo com as normas e documentos padronizados seguintes:

EN60745

O ficheiro técnico em conformidade com a norma 2006/42/EC está disponível a partir de:

Makita, Jan-Baptist Vinkstraat 2, 3070, Bélgica

31. 12. 2013



Yasushi Fukaya  
Director

Makita, Jan-Baptist Vinkstraat 2, 3070, Bélgica

## DANSK (Originalvejledning)

### Forklaring til generel oversigt

1. Rød indikator	9. Kontaktgreb	17. Skrue
2. Knap	10. Skaftlås	18. Slange
3. Batteripakke	11. Umbracconøgle	19. Støvsuger
4. Stjernemærkning	12. Sekskantskrue	20. Justeringssskrue til 90°
5. Arm	13. Udvendig flange	21. Trekantlineal
6. Basis	14. Savklinge	22. Slidgrænse
7. Skærelinje	15. Indvendig flange	23. Kulholderdækse
8. Låsehåndtag	16. Støvdysse	24. Skruetrækker

## SPECIFIKATIONER

Model		DSS500	DSS501
Klingediameter		136 mm	
Maks. skæredybde	ved 90°	51 mm	
	ved 45°	35 mm	
Hastighed uden belastning (min <sup>-1</sup> )		3.600	
Længde i alt		359 mm	364 mm
Nettovægt		2,6 kg	2,7 kg
Nominel spænding		14,4 V DC	18 V DC

- På grund af vores løbende forsknings- og udviklingsprogram kan specifikationerne heri ændres uden forudgående varsel.
- Specifikationerne og batteripakken kan variere fra land til land.
- Vægt, inklusive batteripakken, i henhold til EPTA-Procedure 01/2003


### Tilsigtet brug

ENE028-1

Værktøjet er beregnet til lige snit og vinklede geringssnit på langs og på tværs i træ ved fast kontakt med arbejdsemnet.

## Generelle sikkerhedsadvarsler for maskiner

GEA010-1


 **ADVARSEL** Læs alle sikkerhedsadvarsler og alle instruktioner. Hvis De ikke følger alle advarsler og instruktioner, kan det medføre elektrisk stød, brand og/eller alvorlig personskade.

## Gem alle advarsler og instruktioner til senere reference.

## SIKKERHEDSADVARSLER FOR LEDNINGSFRI RUNDSAV

GEB061-4

### Saveprocedurer

1.  **FARE:** Hold hænderne på afstand af skæreområdet og klingens. Hold den anden hånd på det ekstra håndtag eller på motorhuset. Hvis begge hænder holder på saven, kan de ikke blive skåret af klingens.
2. **Ræk ikke ind under arbejdsemnet.** Klingebeskytteren kan ikke beskytte dig mod klingens under arbejdsemnet.
3. **Justér skæredybden efter arbejdsemnets tykkelse.** Der skal være mindre end en hel tand af klingetænderne synlig under arbejdsemnet.

4. **Hold ikke det arbejdsemne, der skæres i, i hænderne eller hen over benet. Fastgør arbejdsemnet til en stabil platform.** Det er vigtigt at støtte arbejdsemnet korrekt for at minimere risiko for personskade, binding af klingens eller tab af kontrol. **En typisk illustration af korrekt håndstøtte og støtte af arbejdsemnet. (Fig. 1)**
5. **Hold kun maskinen i de isolerede gribeblader, når du udfører arbejde, hvor skæreværktøjet kan komme i kontakt med skjulte ledninger.** Kontakt med en strømførende ledning gør også udsatte metaldele på maskinen strømførende, hvorved operatøren muligvis kan få elektrisk stød.
6. **Ved flæksavning skal der altid benyttes et parallelanslag eller en lige kantstøtte.** Derved bliver snittet mere nøjagtigt, og risikoen for, at klingens binder, reduceres.
7. **Brug altid klinger med den korrekte størrelse og udformning (diamant versus rund) af akselhuller.** Klinger, der ikke modsvarer savens monteringsdele, roterer skævt, og du kan miste kontrollen.
8. **Brug aldrig beskadigede eller forkerte spændeskiver eller bolte til klingens.** Spændeskiverne og boltene til klingens er specielt udviklet til savens med henblik på optimal ydelse og driftssikkerhed.

### Årsager til tilbageslag og relaterede advarsler

- Tilbageslag er en pludselig reaktion på en fastklemt, låst eller forkert justeret savklinge, som kan medføre, at en ukontrolleret sav løftes opad og ud af arbejdsemnet i retning mod operatøren.
- Når klingens kommer i klemme eller sidder fast, fordi savsnittet lukkes sammen, stopper klingens, og



motorreaktionen støder apparatet hurtigt tilbage mod operatøren.

- Hvis klingen bliver vredet eller sidder skævt i snittet, kan tænderne bag på klingens skære sig ned i træets øverste overflade, så klingens løftes ud af savsnittet og springer tilbage mod operatøren.

Tilbageslag skyldes forkert brug af saven og/eller forkerte betjeningsprocedurer eller betingelser og kan undgås ved at træffe de nødvendige forsigtighedsregler som beskrevet nedenfor.

9. **Hold godt fast i saven med begge hænder, og placer armene, så de kan modstå tilbageslag. Placer kroppen på siden af klingens, ikke på linje med klingens.** Tilbageslag kan få saven til at springe tilbage, men tilbageslagskræfterne kan kontrolleres af operatøren, hvis de korrekte forholdsregler tages.
10. **Når klingens binder, eller når et snit afbrydes af andre årsager, skal du slippe kontaktgrebet og holde saven stille, indtil klingens står helt stille. Forsøg aldrig at tage saven ud af arbejdsemnet eller at trække savens baglæns, mens klingens bevæger sig, da dette kan medføre tilbageslag.** Se efter og tag modforholdsregler imod årsager til, at klingens binder.
11. **Når saven startes igen i arbejdsemnet, skal du centrere savklingen i savsnittet og sikre dig, at savtænderne ikke sidder fast i emnet.** Hvis savklingen binder, kan den bevæge sig opad eller slå tilbage fra arbejdsemnet, når saven startes igen.
12. **Understøt store paneler for at reducere risikoen for, at klingens klemmes fast og forårsager tilbageslag.** Store paneler har tendens til at bøjes under deres egen vægt. Der skal placeres støtter under panelet i begge sider, i nærheden af skæringslinjen og nær panelets kanter. **Understøt brættet eller panelet i nærheden af snittet for at undgå tilbageslag. (Fig. 2) Understøt ikke brættet eller panelet langt fra snittet. (Fig. 3)**
13. **Undgå at bruge uskarpe eller beskadigede klinger.** Uskarpe eller forkert monterede klinger giver smalle skæresnit, der forårsager ekstra friktion, fastklemning af klingens og tilbageslag.
14. **Låsehåndtagene til klingedybde og skråsnitsvinkel skal sidde stramt og sikkert, før du starter.** Hvis klingens flytter sig under skæringen, kan klingens binde og forårsage tilbageslag.
15. **Vær ekstra forsigtig, når du saver i eksisterende vægge eller andre områder, du ikke kan se igennem.** Den udstikende klinge kan skære i genstande, som kan forårsage tilbageslag.
16. **Hold ALTID godt fast i værktøjet med begge hænder. Anbring ALDRIG hånden eller fingrene bag ved saven.** Hvis der opstår tilbageslag, kan saven nemt springe bagud hen over hånden, hvilket kan forårsage alvorlig personskade. (Fig. 4)
17. **Brug aldrig magt på saven. Skub saven fremad ved en hastighed, hvor klingens skærer uden at køre langsommere.** Brug af magt kan medføre ujævne skæringer, tab af præcision og risiko for tilbageslag.

#### Funktion af nederste klingebeskytter

18. **Kontroller, at den nederste klingebeskytter er lukket, hver gang saven skal bruges. Anvend ikke**

**saven, hvis den nederste klingebeskytter ikke bevæger sig frit og lukkes med det samme.**

**Fastlås eller bind aldrig den nederste klingebeskytter i den åbne stilling.** Hvis du taber saven, kan den nederste klingebeskytter blive bøjet. Løft den nederste klingebeskytter med tilbagetrækningshåndtaget, og sørg for, at den bevæger sig frit og ikke berører klingens eller andre dele, uanset skæringsvinkel og -dybde.

19. **Kontroller funktionen af fjederen på den nederste klingebeskytter.** Hvis klingebeskytteren og fjederen ikke fungerer korrekt, skal de repareres, før saven anvendes. Den nederste klingebeskytter kan fungere dårligt på grund af beskadigede dele, fastsiddende gummi eller ophobning af snavs.
20. **Den nederste klingebeskytter må kun trækkes tilbage manuelt i forbindelse med særlige snit, f.eks. "indstiksnit" og "kombinerede snit".** Løft den nederste klingebeskytter ved hjælp af tilbagetrækningshåndtaget, og slip den nederste klingebeskytter, så snart klingens sidder i materialet. Til al anden skæring skal den nederste klingebeskytter fungere automatisk.
21. **Se altid efter, om den nederste klingebeskytter dækker klingens, før saven stilles på arbejdsbænken eller gulvet.** En ubeskyttet frit kørende klinge vil få saven til at bevæge sig baglæns, mens den skærer i alt, hvad den kommer i kontakt med. Vær opmærksom på den tid, det tager for klingens at stoppe, efter at kontakten slippes.
22. **For at kontrollere den nederste klingebeskytter skal du åbne klingebeskytteren manuelt og derefter frigive beskytteren og kontrollere, at den lukkes. Kontroller også, at tilbagetrækningshåndtaget ikke berører værktøjskassen.** Det er MEGET FARLIGT at lade klingens være blottet og kan medføre alvorlig personskade.

#### Yderligere sikkerhedsadvarsler

23. **Vær ekstra forsigtig ved skæring i vådt træ, trykbehandlet træ eller træ, der indeholder knaster.** Før værktøjet jævnt fremad, uden at klingens hastighed reduceres, for at undgå overophedning af klingens takker.
24. **Undgå at fjerne afskåret materiale, så længe klingens bevæger sig. Vent til klingens er stoppet, før du tager fat i det afskærede materiale.** Klingernes bevæger sig et stykke tid efter, at der slukkes.
25. **Undgå at skære i søm. Se efter og fjern alle søm fra træet, før du skærer.**
26. **Sæt den brede del af savens basis mod den del af arbejdsemnet, der er understøttet solidt, ikke mod den del, der falder af, når snittet er færdigt. Fig. 5 viser et eksempel på den RIGTIGE måde at skære enden af et bræt, og Fig. 6 viser den FORKERTE måde. Fastspænd arbejdsemnet, hvis det er kort eller lille. DU MÅ IKKE HOLDE KORTE ARBEJDESMENER I HÅNDEN! (Fig. 5 og 6)**
27. **Før du stiller værktøjet fra dig efter at have foretaget en skæring, skal du sikre dig, at den nederste klingebeskytter er lukket, og at klingens er stoppet helt.**
28. **Forsøg aldrig at save med rundsaven fastspændt med bunden i vejret i en skruestik. Dette er**

- ekstremt farligt og kan medføre alvorlige uheld. (Fig. 7)
29. Nogle materialer indeholder kemikalier, som kan være giftige. Sørg for, at undgå indånding af støv og kontakt med huden. Følg sikkerhedsinstruktionerne fra leverandøren af materialerne.
  30. Stop ikke klingerne ved at trykke på siden af savklingen.
  31. Anvend altid de klinger, der anbefales i denne brugsanvisning. Anvend ikke nogen former for slibeskiver.
  32. Hold klingen skarp og ren. Gummi og tjære, der hærdes på klinger, gør saven langsommere og forøger risikoen for tilbageslag. Hold klingen ren ved først at fjerne den fra værktøjet og derefter rense den med gummi- og tjærefjerner, varmt vand eller petroleum. Brug ikke benzin.
  33. Bær støvmaske og høreværn, når værktøjet anvendes.

## GEM DISSE INSTRUKTIONER.

### ⚠ ADVARSEL:

LAD IKKE tryghed eller kendskab til produktet (fra gentagen brug) føre til, at du ikke strengt overholder sikkerhedsreglerne for det gældende produkt. MISBRUG eller manglende overholdelse af sikkerhedsreglerne i denne brugsanvisning kan medføre alvorlig personskade.

## VIGTIGE SIKKERHEDSINSTRUKTIONER

ENC007-8

## FOR BATTERIPAKKEN

1. Før brugen af batteripakken skal du læse alle instruktioner og advarsler på (1) batteriopladeren, (2) batteriet og (3) det produkt, som batteriet anvendes i.
2. Skil ikke batteripakken ad.
3. Hvis driftstiden bliver betydeligt kortere, skal du straks ophøre med brugen. Brug kan medføre risiko for overophedning, risiko for forbrændinger eller endog eksplosion.
4. Hvis du får elektrolyt i øjnene, skal du med det samme rense øjnene med rent vand og søge læge. Dette kan medføre tab af synet.
5. Kortslut ikke batteripakken:
  - (1) Undgå at røre ved terminalerne med ledende materiale.
  - (2) Undgå at opbevare batteripakken i en beholder med andre metalgenstande som f.eks. søm, mønter osv.
  - (3) Udsæt ikke batteripakken for vand eller regn. Hvis batteriet kortsluttes, kan det medføre voldsom strøm, overophedning, mulige forbrændinger og endog nedbrud.
6. Undgå at opbevare værktøjet og batteripakken på steder, hvor temperaturen kan komme op på eller overstige 50°C.

7. Sæt ikke ild til batteripakken, selvom den er alvorligt beskadiget eller helt udtjent. Batteripakken kan eksplodere ved brand.
8. Undgå at tabe eller slå på batteriet.
9. Undlad brug af et beskadiget batteri.
10. Følg de lokale bestemmelser med hensyn til bortskaffelse af batteri.

## GEM DISSE INSTRUKTIONER.

### Tips til, hvordan du forlænger batteriets levetid

1. Oplad batteripakken, før den bliver helt afladet. Ophør med at bruge værktøjet, og udskift batteripakken, hvis strømmen til værktøjet aftager.
2. Oplad aldrig en fuldt opladet batteripakke. Overopladning forkorter batteriets levetid.
3. Oplad batteripakken ved stuetemperatur på 10°C - 40°C. Lad batteripakken køle ned før den oplades, hvis den er varm.
4. Oplad batteripakken en gang hver sjette måned, hvis du ikke bruger det i lang tid.

## FUNKTIONSBESKRIVELSE

### FORSIGTIG:

- Sørg altid for, at værktøjet er slukket, og at batteripakken er taget ud, før De justerer værktøjet eller kontrollerer dets funktion.

### Montering eller afmontering af batteripakken (Fig. 8)

#### ⚠ FORSIGTIG:

- Sluk altid for værktøjet inden montering eller afmontering af batteripakken.
- Hold godt fast i værktøjet og batteripakken, når du monterer eller afmonterer batteripakken. Hvis maskinen og batteripakken ikke holdes ordentligt fast, kan de glide ud af hænderne og resultere i skader på maskinen og batteripakken samt personskade.

Afmonter batteripakken ved at holde ned på knappen foran på batteripakken og skubbe den af værktøjet. Ved montering af batteripakken justeres tungen på batteripakken med rillen i huset, hvorefter pakken skubbes på plads. Sæt den hele vejen ind, indtil den låses på plads med et lille klik. Hvis den røde indikator øverst på knappen er synlig, er batteripakken ikke låst helt fast.

#### ⚠ FORSIGTIG:

- Sæt altid batteripakken helt ind, indtil den røde indikator ikke længere er synlig. Ellers kan den falde ud af værktøjet og skade dig eller andre personer i nærheden.
- Anvend ikke kræfter ved monteringen af batteripakken. Hvis den ikke glider let ind, er den ikke indsat korrekt.

### Batteribeskyttelsessystem (lithium-ion-batteri med stjernemærkning) (Fig. 9)

Lithium-ion-batterier med en stjernemærkning er udstyret med et beskyttelsessystem. Dette system slukker automatisk for strømmen til maskinen for at forlænge batterilevetiden.

Maskinen stopper automatisk under anvendelsen, hvis maskinen og/eller batteriet udsættes for en af de følgende situationer:

- **Overbelastning:**  
Maskinen anvendes på en sådan måde, at det får den til at bruge unormalt meget strøm.  
I denne situation skal du slippe kontaktgrebet på maskinen og stoppe den anvendelse, som gjorde maskinen overbelastet. Tryk derefter ind på kontaktgrebet for starte igen.  
Hvis maskinen ikke starter, er batteriet overophedet. I denne situation skal du lade batteriet køle af, inden du trykker ind på kontaktgrebet igen.
- **Lav batterispænding:**  
Den resterende batterikapacitet er for lav, og maskinen kan ikke køre. I denne situation skal du afmontere og oplade batteriet.

## Indstilling af skæredybde (Fig. 10)

### FORSIGTIG:

- Skru låsearmen godt fast, når skæredybden er indstillet.

Løsn låsearmen på siden af de bageste håndtag, og flyt basis op eller ned. Fastgør basis ved at stramme låsearmen ved den ønskede skæredybde.

De opnår renere og sikrere snit ved at indstille skæredybden, så der ikke stikker mere end én klingetand ud under arbejdsemnet. Anvendelse af den korrekte skæredybde hjælper med at reducere risikoen for farlige TILBAGESLAG, som kan forårsage personskade.

## Skråsnit (Fig. 11)

Løsn låsearmen på skalapladen til skråsnit forrest på basen. Indstil den ønskede vinkel (0° - 50°) ved at dreje tilsvarende, og stram låsearmen godt fast.

## Indstilling (Fig. 12)

Ved lige snit justeres positionen A forrest på basen med skærelinjen. For skråsnit på 45° justeres positionen B med den.

## Betjening af kontakt (Fig. 13)

### FORSIGTIG:

- Før batteripakken sættes i værktøjet, skal De altid kontrollere, at kontaktgrebet reagerer korrekt og vender tilbage i "OFF"-stillingen, når De slipper det.
- Træk ikke hårdt i kontaktgrebet uden at trykke på låsehåndtaget. Dette kan ødelægge kontakten.

Et låsehåndtag forhindrer, at kontaktgrebet trækkes op ved et uheld. Værktøjet startes ved at trykke låsehåndtaget ind og trække i kontaktgrebet. Slip kontaktgrebet for at stoppe.

### ADVARSEL:

- Af hensyn til Deres sikkerhed er værktøjet forsynet med et låsehåndtag, der forhindrer, at værktøjet starter ved et uheld. Brug ALDRIG værktøjet, hvis det kører, når De trækker i kontaktgrebet uden at trykke på låsehåndtaget. Indlever værktøjet til et MAKITA-servicecenter til reparation. FØR det benyttes igen.
- De må ALDRIG fastgøre låsehåndtaget med tape eller omgå dets funktion.

## Tænding af lampen

### FORSIGTIG:

- Se ikke direkte ind i lyset eller lyskilden.  
Hvis De kun vil tænde lampen, skal De trække i kontaktgrebet uden at trykke på låsehåndtaget. Hvis De vil tænde for lampen og starte værktøjet, skal De trykke på låsehåndtaget og trække i kontaktgrebet, mens der trykkes på låsehåndtaget.

### BEMÆRK:

- Benyt en vatpind til at tørre snavs af lampens linse. Pas på ikke at ridse lampens linse, da det kan mindske lysstyrken.
- Brug ikke benzin, fortynder eller lignende til at rengøre lampens linse. Sådanne stoffer beskadiger linsen.

## MONTERING

### FORSIGTIG:

- Sørg altid for, at værktøjet er slukket, og at batteripakken er taget ud, før De udfører nogen form for arbejde på værktøjet.

## Aftagning eller montering af klinge (Fig. 14 og 15)

### FORSIGTIG:

- Sørg for, at klingen er monteret, så tænderne peger opad foran på værktøjet.
- Anvend kun den medfølgende Makita-skruenøgle til at montere eller afmontere klingen.

For at afmontere klingen skal De trykke på skaftlåsen, så klingen ikke kan dreje, og anvende skruenøglen til at løsne sekskantmøtrikken mod urets retning. Fjern derefter sekskantmøtrikken, den udvendige flange og klingen. Følg fremgangsmåden til afmontering i omvendt rækkefølge for at montere klingen. SØRG FOR AT SPÆNDE SEKSKANTMØTRIKKEN FAST TIL MED URET. (Fig. 16)

Ved skift af klinger skal De sørge for også at fjerne opsamlede spåner og partikler fra den øverste og nederste klingebeskytter. De skal dog stadig kontrollere den nederste klingebeskytters funktion, hver gang værktøjet skal anvendes.

## Opbevaring af umbracconøgle (Fig. 17)

Opbevar umbracconøglen som vist i figuren, når den ikke anvendes, for at forhindre, at den bliver væk.

## Tilslutning til støvsuger (Fig. 18 og 19)

Hvis De vil skære og holde arbejdsområdet rent, kan De tilslutte en Makita-støvsuger til værktøjet. Monter støvdysen på værktøjet ved hjælp af skruen. Slut derefter støvsugerslangen til støvdysen som vist i figuren.

## BETJENING

### FORSIGTIG:

- Sæt altid batteripakken helt ind, indtil den låses på plads. Hvis den røde del øverst på knappen er synlig, er batteripakken ikke låst helt fast. Sæt den helt ind, indtil den røde del ikke er synlig. Ellers kan den falde ud af værktøjet og skade Dem eller andre personer i nærheden.

- Sørg for at flytte værktøjet lige fremad uden at bruge magt. Hvis værktøjet tvinges eller vrides, kan det medføre overophedning af motoren og farligt tilbageslag, som kan føre til alvorlig personskade.
- Hvis værktøjet betjenes konstant, indtil batteripakken er afladet, skal De lade værktøjet hvile i 15 minutter, før De fortsætter med et nyt batteri. (Fig. 20)

Hold godt fast i værktøjet. Værktøjet har både et greb foran og et håndtag bagpå. Hold værktøjet med begge hænder. Hvis begge hænder holder på saven, kan de ikke blive skåret af klingens. Placer basen på det arbejdsområde, der skal skæres i, uden at klingens berører arbejdsområdet. Tænd derefter for værktøjet, og vent, indtil klingens når fuld hastighed. Flyt værktøjet fremad hen over arbejdsområdet, idet værktøjet holdes fladt og flyttes jævnt frem, indtil savningen er færdig.

De opnår rene snit ved at holde savelinjen lige og flytte værktøjet med jævn hastighed. Forsøg ikke at dreje eller tvinge værktøjet tilbage til skæringslinjen, hvis snittet ikke følger den ønskede skæringslinje. Hvis De gør dette, kan klingens komme i klemme, hvilket kan medføre farligt tilbageslag med risiko for alvorlig personskade. Slip kontakten, vent, til klingens er stoppet, og tag derefter værktøjet ud. Juster værktøjet med den nye skæringslinje, og start skæringen igen. Søg ikke at stille Dem, så De bliver udsat for spåner og træsmuld, der udstødes fra saven. Bær øjenbeskyttelse for at undgå personskade.

## Parallellanslag (styrepind) (tilbehør) (Fig. 19)

Med det praktiske parallellanslag kan De udføre ekstremt præcise lige skæringer. Skub parallellanslaget mod siden af arbejdsområdet, og fastgør det med skruen forrest på værktøjets basis. Det gør det også muligt at foretage flere skæringer med ens bredde.

## VEDLIGEHOVELSE

### FORSIGTIG:

- Sørg altid for, at værktøjet er slukket, og at batteripakken er taget ud, før De forsøger at udføre inspektion eller vedligeholdelse.
- Brug aldrig benzin, benzen, fortynder, alkohol eller lignende. Det kan muligvis medføre misfarvning, deformation eller revner.

## Justering til nøjagtige skæringsvinkler på 90° (lodret skæring)

Denne justering er udført på fabrikken. Hvis justeringen er unøjagtig, skal De indstille justeringsskrueene med en unbrakonøgle, mens de 90° kontrolleres med klingens og basis ved hjælp af en trekantlineal, en firkantlineal e.l. (Fig. 22 og 23)

## Udskiftning af kulbørsterne (Fig. 24)

Tag regelmæssigt kulbørsterne af, og efterse dem. Udskift dem, når de er nedslidte til slidgrænsen. Hold kulbørsterne rene og frie til at glide i holderne. Begge kulbørster skal udskiftes samtidig. Brug altid identiske kulbørster. Brug en skruetrækker til at fjerne kulholderdækslerne. Tag de udslidte kulbørster ud, monter de nye, og fastgør kulholderdækslerne. (Fig. 25)

For at holde produktet SIKKERT og PÅLIDELIGT skal reparationer samt al anden vedligeholdelse eller justering udføres af autoriserede Makita-servicecentre, og der skal altid benyttes Makita-reservedele.

## EKSTRAUDSTYR

### ⚠ FORSIGTIG:

- Dette tilbehør eller ekstraudstyr anbefales til brug med det Makita-værktøj, som er beskrevet i denne brugsanvisning. Brug af andet tilbehør eller ekstraudstyr kan forårsage personskade. Brug kun tilbehør eller ekstraudstyr til det formål, det er beregnet til.

Henvend dig til dit lokale Makita-servicecenter, hvis du har brug for hjælp eller yderligere oplysninger vedrørende tilbehøret.

- Savklinger
- Parallellanslag (styrepind)
- Umbracconøgle 5
- Støvdysse
- Originalt batteri og oplader fra Makita

### BE/MÆRK:

- Visse dele på listen er muligvis indeholdt maskinindpakningen som standardtilbehør. De kan variere fra land til land.

### Støj

ENG905-1

Det typiske A-vægtede støjniveau bestemt i overensstemmelse med EN60745:

#### Model DSS500

Lydtrykniveau ( $L_{pA}$ ): 75 dB (A)  
Usikkerhed (K): 3 dB (A)

Støjniveauet under arbejdet kan være større end 80 dB (A).

#### Model DSS501

Lydtrykniveau ( $L_{pA}$ ): 76 dB (A)  
Usikkerhed (K): 3 dB (A)

Støjniveauet under arbejdet kan være større end 80 dB (A).

### Bær høreværn.

### Vibration

ENG900-1

Den samlede vibrationsværdi (treaksiel vektorsum) bestemt i overensstemmelse med EN60745:

Arbejdstilstand: savning i træ  
Vibrationsemission ( $a_{hV}$ ): 2,5 m/s<sup>2</sup> eller mindre  
Usikkerhed (K): 1,5 m/s<sup>2</sup>

ENG901-1

- Den opgivne vibrationsemissionsværdi er målt i overensstemmelse med standardtestmetoden og kan bruges til at sammenligne et værktøj med et andet.
- Den opgivne vibrationsemissionsværdi kan muligvis også bruges til en indledende eksponeringsvurdering.

### ⚠ ADVARSEL:

- Vibrationsemissionen under den faktiske brug af maskinen kan afvige fra den opgivne emissionsværdi afhængigt af den måde, maskinen anvendes på.
- Sørg for at bestemme sikkerhedsforanstaltninger for beskyttelse af operatøren, som er baseret på en eksponeringsvurdering for brug under faktiske forhold (hvor alle anvendelsescyklussens dele inddrages, som f.eks. antal gange maskinen slukkes, og når den kører i tomgang ud over trigger tiden).

**Kun for europæiske lande**

ENH101-17

**EF-overensstemmelseserklæring**

**Makita erklærer at følgende Makita-maskine(r):**

Maskinens betegnelse:

Ledningsfri rundsav

Modelnummer/type: DSS500, DSS501

**Overholder følgende europæiske direktiver:**

2006/42/EF

De er produceret i overensstemmelse med den følgende standard eller standardiserede dokumenter:

EN60745

Den tekniske fil er i overensstemmelse med 2006/42/EF til rådighed fra:

Makita, Jan-Baptist Vinkstraat 2, 3070, Belgien

31. 12. 2013



Yasushi Fukaya

Direktør

Makita, Jan-Baptist Vinkstraat 2, 3070, Belgien

## ΕΛΛΗΝΙΚΑ (Πρωτογενείς οδηγίες)

### Περιγραφή γενικής όψης

- |                       |                        |                                       |
|-----------------------|------------------------|---------------------------------------|
| 1. Κόκκινη ένδειξη    | 10. Κλειδωμα άξονα     | 19. Ηλεκτρική σκούπα                  |
| 2. Κουμπί             | 11. Εξαγωνικό άλεν     | 20. Βίδα ρύθμισης για 90°             |
| 3. Μπαταρία           | 12. Εξαγωνικό μπουλόνι | 21. Γεωμετρικό τρίγωνο                |
| 4. Ένδειξη άστρου     | 13. Εξωτερική φλάντζα  | 22. Ένδειξη ορίου                     |
| 5. Μοχλός             | 14. Δίσκος             | 23. Καπάκι υποδοχέα για το καρβουνάκι |
| 6. Βάση               | 15. Εσωτερική φλάντζα  | 24. Καταβαθίδι                        |
| 7. Γραμμή κοπής       | 16. Στόμιο σκόνης      |                                       |
| 8. Μοχλός ασφάλισης   | 17. Βίδα               |                                       |
| 9. Σκανδάλη-διακόπτης | 18. Εύκαμπτος σωλήνας  |                                       |

## ΤΕΧΝΙΚΑ ΧΑΡΑΚΤΗΡΙΣΤΙΚΑ

Μοντέλο	DSS500	DSS501
Διάμετρος δίσκου	136 mm	
Μέγιστο βάθος κοπής	στις 90°	51 mm
	στις 45°	35 mm
Ταχύτητα χωρίς φορτίο (min <sup>-1</sup> )	3.600	
Ολικό μήκος	359 mm	364 mm
Καθαρό βάρος	2,6 kg	2,7 kg
Ονομαστική τάση	D.C. 14,4V	D.C. 18V

- Λόγω του συνεχόμενου προγράμματος που εφαρμόζουμε για έρευνα και ανάπτυξη, τα τεχνικά χαρακτηριστικά στο παρόν έντυπο υπόκεινται σε αλλαγή χωρίς προειδοποίηση.
- Τα τεχνικά χαρακτηριστικά και η μπαταρία ενδέχεται να διαφέρουν από χώρα σε χώρα.
- Βάρος μαζί με την μπαταρία σύμφωνα με τη διαδικασία της ΕΡΤΑ 01/2003

### Προοριζόμενη χρήση

ENE028-1

Το εργαλείο προορίζεται για την εκτέλεση ευθειών κοπών κατά μήκος και κατά πλάτος και λοξών κοπών με κλίση σε ξύλο, ενώ βρίσκεται σε σταθερή επαφή με το τεμάχιο εργασίας.

## Γενικές Προειδοποιήσεις Ασφαλείας Του Ηλεκτρικού Εργαλείου

GEA010-1

**⚠ ΠΡΟΕΙΔΟΠΟΙΗΣΗ Διαβάστε όλες τις προειδοποιήσεις ασφαλείας και όλες τις οδηγίες.** Αν δεν ακολουθήσετε όλες τις προειδοποιήσεις και τις οδηγίες, υπάρχει κίνδυνος ηλεκτροπληξίας, πυρκαγιάς ή/και σοβαρού τραυματισμού.

## Φυλάξτε όλες τις προειδοποιήσεις και τις οδηγίες για μελλοντική αναφορά.

## ΠΡΟΕΙΔΟΠΟΙΗΣΕΙΣ ΑΣΦΑΛΕΙΑΣ ΦΟΡΗΤΟΥ ΔΙΣΚΟΠΡΙΟΝΟΥ

GEB061-4

### Διαδικασίες κοπής

1. **⚠ ΚΙΝΔΥΝΟΣ:** Να κρατάτε τα χέρια σας μακριά από την περιοχή κοπής και το δίσκο. Να κρατάτε με το άλλο σας χέρι τη βοηθητική λαβή ή το περιβλήμα του μοτέρ. Εάν κρατάτε το δισκοπρίονο και με τα δύο χέρια, δεν είναι θα δυνατό να κοπούν από το δίσκο.

2. **Μην πιάνετε το τεμάχιο εργασίας από την κάτω πλευρά.** Το προστατευτικό δεν σας παρέχει προστασία από το δίσκο κάτω από το τεμάχιο εργασίας.
3. **Ρυθμίστε το βάθος κοπής ανάλογα με το πάχος του τεμαχίου εργασίας.** Δεν θα πρέπει να είναι ορατά ολόκληρα τα δόντια του δίσκου κάτω από το τεμάχιο εργασίας.
4. **Μην κρατάτε ποτέ το τεμάχιο εργασίας στα χέρια σας και μην το τοποθετείτε επάνω στο πόδι σας. Ασφαλίστε το τεμάχιο εργασίας σε μια σταθερή βάση.** Είναι σημαντικό να στηρίζεται σωστά το τεμάχιο που πρόκειται να κοπεί για να ελαχιστοποιείται η έκθεση του σώματος, η παρεμπόδιση της κίνησης του δίσκου ή η απώλεια ελέγχου.  
**Μια τυπική απεικόνιση της σωστής στήριξης με το χέρι και της στήριξης του τεμαχίου εργασίας. (Εικ. 1)**
5. **Να κρατάτε το ηλεκτρικό εργαλείο μόνο από τις μονωμένες λαβές όταν εκτελείτε εργασίες κατά τις οποίες το κοπτικό εργαλείο μπορεί να έρθει σε επαφή με κρυμμένα καλώδια.** Αν υπάρξει επαφή με κάποιο ηλεκτροφόρο καλώδιο, τα εκτεθειμένα μεταλλικά μέρη του ηλεκτρικού εργαλείου θα γίνουν κι αυτά ηλεκτροφόρα και μπορεί να προκληθεί ηλεκτροπληξία στο χειριστή.
6. **Όταν σχίζετε ξύλο, να χρησιμοποιείτε πάντα οδηγό κοπής ή άλλο οδηγό με ευθύγραμμη ακμή.** Έτσι βελτιώνεται η ακρίβεια της κοπής και μειώνεται η πιθανότητα να παρεμποδιστεί η κίνηση του δίσκου.
7. **Να χρησιμοποιείτε πάντα δίσκους με οπές στερέωσης σωστού μεγέθους και σχήματος**

### **(σχήμα διαμαντιού έναντι στρογγυλού σχήματος).**

Οι δίσκοι που δεν ταιριάζουν με το σύστημα στερέωσης του δισκοπρίνου θα παρουσιάζουν έκκεντρη περιστροφή, προκαλώντας απώλεια ελέγχου.

8. **Μη χρησιμοποιείτε ποτέ στο δίσκο ροδέλες ή μπουλόνια που είναι φθαρμένα ή έχουν λάθος μέγεθος.** Οι ροδέλες και τα μπουλόνια του δίσκου είναι ειδικά σχεδιασμένα για το δισκοπρίνο που διαθέτετε, έτσι ώστε να παρέχουν βέλτιστη απόδοση και ασφάλεια λειτουργίας.
- Αιτίες κλωστήματος και σχετικές προειδοποιήσεις**
  - το κλώτσημα είναι μια ξαφνική αντίδραση που προκαλεί την ανεξέλεγκτη ανύψωση του δισκοπρίνου έξω από το τεμάχιο εργασίας και προς τον χειριστή, όταν ο δίσκος είναι μπλοκαρισμένος, παρεμποδίζεται η κίνηση του ή είναι λανθασμένα ευθυγραμμισμένος.
  - όταν ο δίσκος είναι μπλοκαρισμένος ή πιασμένος σφίχτα από την εγκοπή, ακινητοποιείται και η αντίδραση του μοτέρ οδηγεί το εργαλείο με ταχύτητα προς τα πίσω και προς τη μεριά του χειριστή.
  - εάν ο δίσκος στρεβλώσει ή ευθυγραμμιστεί λάθος κατά το κόψιμο, τα δόντια στο πίσω μέρος του δίσκου μπορεί να σκάσουν μέσα στην επάνω επιφάνεια του ξύλου και έτσι ο δίσκος να βγει από την εγκοπή και να αναπηδήσει προς τη μεριά του χειριστή.
- Το κλώτσημα προκαλείται όταν το δισκοπρίνο χρησιμοποιείται λανθασμένα ή/και όταν οι διαδικασίες ή οι συνθήκες λειτουργίας είναι λανθασμένες και μπορεί να αποφευχθεί αν ληφθούν οι κατάλληλες προφυλάξεις που αναφέρονται παρακάτω.
9. **Να κρατάτε το δισκοπρίνο γερά και με τα δύο χέρια και να τοποθετείτε τους βραχιόνες σας με τρόπο ώστε να αντιστέκονται στη δύναμη του κλωστήματος. Να τοποθετείτε το σώμα σας πλευρικά του δίσκου, αλλά όχι στην ίδια ευθεία με το δίσκο.** Το κλώτσημα μπορεί να προκαλέσει την αναπήδηση του δισκοπρίνου προς τα πίσω, αλλά ο χειριστής μπορεί να ελέγξει το κλώτσημα αν λάβει τις κατάλληλες προφυλάξεις.
10. **Όταν παρεμποδίζεται η κίνηση του δίσκου ή όταν διακόπεται η κοπή για οποιοδήποτε λόγο, αφήστε το διακόπτη και κρατήστε ακίνητο το δισκοπρίνο μέσα στο ξύλο έως ότου ακινητοποιηθεί ο δίσκος. Μη δοκιμάσετε ποτέ να βγάλετε το δισκοπρίνο από το υλικό που κόβεται ούτε να το τραβήξετε προς τα πίσω όταν ο δίσκος κινείται, επειδή το εργαλείο μπορεί να κλωστήσει.** Διερευνήστε την αιτία για την οποία παρεμποδίζεται η κίνηση του δίσκου και λάβετε διορθωτικά μέτρα.
11. **Όταν ξεκινάτε ξανά την κοπή του τεμαχίου εργασίας, κεντράρετε το δίσκο στην εγκοπή και ελέγξτε ότι τα δόντια του δίσκου δεν έρχονται σε επαφή με το υλικό.** Αν παρεμποδίζεται η κίνηση του δίσκου, το εργαλείο μπορεί να αναπηδήσει από το τεμάχιο εργασίας ή να κλωστήσει όταν το θέσετε ξανά σε λειτουργία.
12. **Πρέπει να στηρίζετε κατάλληλα τα μεγάλα φύλλα προς κοπή για να ελαχιστοποιείτε τον κίνδυνο παρεμπόδισης της κίνησης του δίσκου, αλλά και του κλωστήματος.** Τα μεγάλα φύλλα τείνουν να βαθουλώνουν από το ίδιο τους το βάρος. Πρέπει να τοποθετούνε στηρίγματα κάτω από τα φύλλα και στις

δύο πλευρές, κοντά στη γραμμή κοπής και κοντά στην άκρη του φύλλου.

**Για την αποφυγή του κλωστήματος, να στηρίζετε τη σανίδα ή την πλάκα κοντά στο κόψιμο. (Εικ. 2) Μη στηρίζετε τη σανίδα ή την πλάκα μακριά από το κόψιμο. (Εικ. 3)**

13. **Μη χρησιμοποιείτε δίσκους που δεν είναι κοφτεροί ή που είναι κατεστραμμένοι.** Οι δίσκοι που δεν είναι κοφτεροί ή που δεν έχουν ρυθμιστεί σωστά δημιουργούν στενές εγκοπές και προκαλούν μεγάλη τριβή, εμπόδιση της κίνησης του δίσκου και κλώτσημα.
14. **Οι μοχλοί ασφάλισης του βάθους του δίσκου και της ρύθμισης της λοξοτομής πρέπει να είναι σφιγμένοι και ασφαλισμένοι πριν από την κοπή.** Αν η ρύθμιση του δίσκου μετακινηθεί κατά το πρίονισμα, μπορεί να εμποδιστεί η κίνηση του δίσκου και να προκληθεί κλώτσημα.
15. **Δώστε ιδιαίτερη προσοχή κατά το πρίονισμα σε υπάρχοντες τοίχους ή σε άλλες περιοχές για τις οποίες δεν γνωρίζετε τι κρύβουν στο εσωτερικό τους.** Εάν ο δίσκος προεξέχει, μπορεί να κόψει αντικείμενα που θα προκαλέσουν το κλώτσημά του.
16. **Να κρατάτε ΠΑΝΤΑ το εργαλείο καλά και με τα δύο χέρια. ΠΟΤΕ μη τοποθετήσετε το χέρι ή τα δάχτυλά σας πίσω από το δισκοπρίνο.** Αν συμβεί κλώτσημα, το δισκοπρίνο μπορεί να πεταχτεί προς τα πίσω επάνω στο χέρι σας με πιθανότητα πρόκλησης σοβαρού τραυματισμού. (Εικ. 4)
17. **Μη ζορίζετε ποτέ το δισκοπρίνο. Να σπρώχνετε το δισκοπρίνο προς τα μπροστά με τέτοια ταχύτητα ώστε ο δίσκος να κόβει χωρίς να επιβραδύνει.** Αν ζορίζετε το δισκοπρίνο μπορεί να προκληθούν ανομοιομορφες κοπές, απώλεια ακρίβειας και πιθανώς κλώτσημα.
- Λειτουργία κάτω προστατευτικού**
18. **Ελέγξτε αν το κάτω προστατευτικό κλείνει σωστά πριν από κάθε χρήση. Μη θέσετε σε λειτουργία το δισκοπρίνο αν το κάτω προστατευτικό δεν κινείται ελεύθερα και δεν κλείνει αμέσως. Μη συκρατείτε και μη δένετε ποτέ το κάτω προστατευτικό στην ανοιχτή θέση.** Αν το δισκοπρίνο πέσει κάτω κατά λάθος, το κάτω προστατευτικό μπορεί να λυγίσει. Σηκώστε το κάτω προστατευτικό με τη βοήθεια της ανασυρόμενης λαβής και βεβαιωθείτε ότι κινείται ελεύθερα και δεν ακουμπά το δίσκο ή κάποιο άλλο μέρος, σε όλες τις γωνίες και βάθη κοπής.
19. **Ελέγξτε τη λειτουργία του ελατηρίου του κάτω προστατευτικού. Αν το προστατευτικό και το ελατήριο δεν λειτουργούν σωστά, πρέπει να επισκευαστούν πριν από τη χρήση.** Το κάτω προστατευτικό μπορεί να λειτουργεί με αργό ρυθμό αν υπάρχουν κατεστραμμένα μέρη, ρετσίνα ή συσσώρευση υπολειμμάτων κοπής.
20. **Να συμπτίσσετε το κάτω προστατευτικό με το χέρι μόνο για ειδικά κοψίματα, όπως “τυφλές” και “σύνθετες κοπές”.** Ανεβάστε το κάτω προστατευτικό με τη βοήθεια της ανασυρόμενης λαβής και μόλις ο δίσκος εισέλθει στο υλικό, αφήστε το κάτω προστατευτικό. Για κάθε άλλη εργασία πρίονισματος, το κάτω προστατευτικό πρέπει να λειτουργεί αυτόματα.

21. **Να ελέγχετε πάντα εάν το κάτω προστατευτικό καλύπτει το δίσκο πριν τοποθετήσετε το δισκοπρίονο σε πάγκο ή στο πάτωμα.** Εάν ο δίσκος δεν προστατεύεται και κινείται ελεύθερα, το δισκοπρίονο θα κινηθεί προς τα πίσω, κόβοντας ό,τι βρεθεί στο δρόμο του. Λάβετε υπόψη σας το χρόνο που χρειάζεται ο δίσκος να ακινητοποιηθεί αφότου αφήσετε το διακόπτη.
22. **Για να ελέγξετε το κάτω προστατευτικό, ανοίξτε το κάτω προστατευτικό με το χέρι και κατόπιν αφήστε το και στη συνέχεια παρατηρήστε εάν κλείνει.** Επίσης, βεβαιωθείτε ότι δεν ακουμπάει η ανασυρόμενη λαβή στο σώμα του εργαλείου. Είναι ΠΟΛΥ ΕΠΙΚΙΝΔΥΝΟ το να αφήνετε το δίσκο εκτεθειμένο και αυτό μπορεί να οδηγήσει σε σοβαρό τραυματισμό.

#### Επιπρόσθετες προειδοποιήσεις ασφαλείας

23. **Να προσέχετε ιδιαίτερα όταν κόβετε νωπό ξύλο, ξύλο που έχει υποστεί επεξεργασία με πίεση και ξύλο με ρόζους.** Προωθείτε ομαλά το εργαλείο χωρίς να μειώνεται η ταχύτητα του δίσκου για να μην υπερθερμαίνονται τα άκρα του δίσκου.
24. **Μην επιχειρήσετε να μετακινήσετε το υλικό κοπής ενώ ο δίσκος κινείται.** Περιμένετε μέχρι να ακινητοποιηθεί ο δίσκος πριν έρθετε σε επαφή με τα κομμένα τμήματα. Ο δίσκος εξακολουθεί να περιστρέφεται μετά το σβήσιμο.
25. **Να αποφύγετε την κοπή καρφιών.** Ελέγξτε αν υπάρχουν καρφιά και αφαιρέστε όλα τα καρφιά από το ξύλο πριν από την κοπή.
26. **Τοποθετήστε το πλατύτερο τμήμα της βάσης του πριονιού σε εκείνο το τμήμα του τεμαχίου εργασίας που στηρίζεται σταθερά, και όχι στο τμήμα εκείνο που θα πέσει όταν θα εκτελεστεί η κοπή.** Ως παραδείγματα, η Εικ. 5 δείχνει το ΣΩΣΤΟ τρόπο για να κόψετε την άκρη μιας σανίδας και η Εικ. 6 το ΛΑΝΘΑΣΜΕΝΟ τρόπο. Αν το τεμάχιο εργασίας είναι κοντό ή μικρό, στερεώστε το. **ΜΗΝ ΠΡΟΣΠΑΘΗΣΕΤΕ ΝΑ ΚΡΑΤΗΣΕΤΕ ΜΙΚΡΑ ΚΟΜΜΑΤΙΑ ΜΕ ΤΑ ΧΕΡΙΑ!** (Εικ. 5 και 6)
27. **Πριν τοποθετήσετε κάτω το εργαλείο μετά το τέλος της κοπής, βεβαιωθείτε ότι έκλεισε το κάτω προστατευτικό και ακινητοποιήθηκε τελείως ο δίσκος.**
28. **Ποτέ μη δοκιμάσετε να κόψετε όταν το δισκοπρίονο είναι στερεωμένο ανάποδα σε μια μέγερη.** Αυτό είναι εξαιρετικά επικίνδυνο και μπορεί να οδηγήσει σε σοβαρά ατυχήματα. (Εικ. 7)
29. **Μερικά υλικά περιέχουν χημικές ουσίες που μπορεί να είναι τοξικές.** Να προσέχετε ώστε να αποφεύγετε την εισπνοή της σκόνης και την επαφή με το δέρμα. Ακολουθείτε τα δεδομένα ασφαλείας υλικού που παρέχονται από τον προμηθευτή.
30. **Μη σταματάτε τους δίσκους με πλευρική πίεση στο δισκοπρίονο.**
31. **Να χρησιμοποιείτε πάντοτε δίσκους που συνιστώνται στο παρόν χειρίδιο. Μη χρησιμοποιείτε οποιοδήποτε λειαντικό δίσκο.**
32. **Να διατηρείτε το δίσκο κοφτερό και καθαρό.** Η κόλλα και το ρετσίνι που έχουν ξεραθεί επάνω στους δίσκους επιβραδύνουν το δισκοπρίονο και αυξάνουν την πιθανότητα κλωστήματος. Διατηρείτε το δίσκο

καθαρό βγάζοντάς τον από το εργαλείο, στη συνέχεια καθαρίζοντάς τον με προϊόντα αφαίρεσης κόλλας και ρετσίνιου, με ζεστό νερό ή κηροζίνη. Μη χρησιμοποιείτε ποτέ βενζίνη.

33. **Να φοράτε προσωπίδα κατά της σκόνης και υγροσπίδες όταν χρησιμοποιείτε το εργαλείο.**

## ΦΥΛΑΞΤΕ ΑΥΤΕΣ ΤΙΣ ΟΔΗΓΙΕΣ.

### ⚠️ ΠΡΟΕΙΔΟΠΟΙΗΣΗ:

**ΜΗΝ επιτρέψετε στη βολικότητα ή στην εξοικείωσή σας με το προϊόν (που αποκτήθηκε από επανειλημμένη χρήση) να αντικαταστήσει την αυστηρή προσήλωση στους κανόνες ασφαλείας του εν λόγω προϊόντος. Η ΛΑΝΘΑΣΜΕΝΗ ΠΡΑΞΗ ή η μη τήρηση των κανόνων ασφαλείας που διατυπώνονται στο παρόν χειρίδιο οδηγιών μπορεί να προκαλέσει σοβαρό τραυματισμό.**

## ΣΗΜΑΝΤΙΚΕΣ ΟΔΗΓΙΕΣ ΑΣΦΑΛΕΙΑΣ

ENC007-8

### ΓΙΑ ΤΗΝ ΜΠΑΤΑΡΙΑ

- Πριν χρησιμοποιήσετε την μπαταρία, διαβάστε όλες τις οδηγίες και τις ενδείξεις προφύλαξης στο (1) φορτιστή μπαταρίας, (2) την μπαταρία και (3) το προϊόν στο οποίο χρησιμοποιείται η μπαταρία.
- Μην αποσυναρμολογείτε την μπαταρία.
- Αν ο χρόνος λειτουργίας της μπαταρίας είναι υπερβολικά σύντομος, διακόψτε αμέσως τη λειτουργία. Αν συνεχίσετε, μπορεί να έχει ως αποτέλεσμα τον κίνδυνο υπερθέρμανσης, πιθανών εγκαυμάτων και ακόμη έκρηξης.
- Αν μπει στα μάτια σας ηλεκτρολύτης, ξεπλύνετε με καθαρό νερό και αναζητήστε αμέσως ιατρική βοήθεια. Μπορεί να χάσετε την όρασή σας.
- Μην βραχυκυκλώνετε την μπαταρία:
  - Μην αγγίζετε τους ακροδέκτες με αγώγιμο υλικό.
  - Μην αποθηκεύετε την μπαταρία σε δοχείο με άλλα μεταλλικά αντικείμενα, όπως καρφιά, νομίσματα, κτλ.
  - Μην εκθέτετε την μπαταρία σε νερό ή βροχή. Αν βραχυκυκλωθεί η μπαταρία, μπορεί να προκληθεί μεγάλη ροή ηλεκτρικού ρεύματος, υπερθέρμανση, πιθανά εγκαύματα και ακόμη και καταστροφή της μπαταρίας.
- Μην αποθηκεύετε το εργαλείο και την μπαταρία σε μέρη όπου η θερμοκρασία μπορεί να φτάσει ή να ξεπεράσει τους 50°C (122°F).
- Μην αποθερώνετε την μπαταρία ακόμη κι αν παρουσιάζει σοβαρή ζημιά ή είναι εντελώς φθαρμένη. Η μπαταρία μπορεί να εκραγεί σε φωτιά.
- Αν προσέχετε να μη σας πέσει η μπαταρία και να μη συγκρουστεί με κάποιο αντικείμενο.
- Μη χρησιμοποιείτε μια μπαταρία που έχει υποστεί βλάβη.
- Ακολουθήστε τους τοπικούς κανονισμούς σχετικά με την απόρριψη της μπαταρίας.

## ΦΥΛΑΞΤΕ ΑΥΤΕΣ ΤΙΣ ΟΔΗΓΙΕΣ.



## Συμβουλές για τη διατήρηση της μέγιστης ζωής της μπαταρίας

- 1. Να φορτίζετε την μπαταρία πριν αποφορτιστεί εντελώς.**  
Πάντοτε να διακόπτετε τη λειτουργία του εργαλείου και να φορτίζετε την μπαταρία όταν παρατηρείται μειωμένη ισχύ του εργαλείου.
- 2. Ποτέ μην επαναφορτίζετε μια πλήρως φορτισμένη μπαταρία.**  
Αν υπερφορτίσετε την μπαταρία, μειώνεται η ωφέλιμη διάρκεια ζωής της.
- 3. Να φορτίζετε την μπαταρία σε θερμοκρασία δωματίου, δηλαδή στους 10°C έως 40°C (50°F έως 104°F). Αν η μπαταρία είναι θερμή, αφήστε την να ψυχθεί πριν τη φορτίσετε.**
- 4. Να φορτίζετε την κασέτα μπαταρία μια φορά κάθε έξι μήνες όταν δεν τη χρησιμοποιείτε για μεγάλο χρονικό διάστημα.**

## ΠΕΡΙΓΡΑΦΗ ΛΕΙΤΟΥΡΓΙΑΣ

### ΠΡΟΣΟΧΗ:

- Να βεβαιώνετε πάντοτε ότι είναι σβηστό το εργαλείο και αφαιρέσετε την μπαταρία πριν ρυθμίσετε ή ελέγξετε κάποια λειτουργία του εργαλείου.

### Τοποθέτηση ή αφαίρεση της μπαταρίας (Εικ. 8)

#### ΠΡΟΣΟΧΗ:

- Πάντοτε να απενεργοποιείτε το εργαλείο πριν από την τοποθέτηση ή την αφαίρεση της κασέτας μπαταρίας.
- **Κρατήστε το εργαλείο και την κασέτα μπαταρίας γερά κατά την τοποθέτηση ή την αφαίρεση της κασέτας μπαταρίας.** Εάν δεν κρατήσετε το εργαλείο και την μπαταρία καλά μπορεί να γλιστρήσουν από τα χέρια σας και να προκληθεί ζημιά στο εργαλείο και στη μπαταρία αλλά και προσωπικός τραυματισμός.

Για να βγάλετε την κασέτα μπαταρίας, σύρετε την από το εργαλείο ολισθαίνοντας το κουμπί στο μπροστινό μέρος της κασέτας.

Για να τοποθετήσετε την κασέτα μπαταρίας, ευθυγραμμίστε τη γλωττίδα της κασέτας μπαταρίας με την εγκοπή στο περιβλήμα και ολισθήστε τη στη θέση της. Τοποθετήστε τη έως το τέρμα, δηλαδή έως όπου ασφαλίσει στη θέση και ακουστεί ένας χαρακτηριστικός ήχος “κλικ”. Αν μπορείτε να δείτε την κόκκινη ένδειξη στην πάνω πλευρά του κουμπιού, η μπαταρία δεν είναι πλήρως ασφαλισμένη.

#### ΠΡΟΣΟΧΗ:

- Πάντοτε να τοποθετείτε πλήρως την κασέτα μπαταρίας για να μη φαίνεται η κόκκινη ένδειξη. Σε αντίθετη περίπτωση, μπορεί να πέσει κατά λάθος από το εργαλείο και να τραυματίσει εσάς ή κάποιον παρευρισκόμενο.
- Μην εισάγετε με τη βία την κασέτα μπαταρίας. Αν η κασέτα δεν ολισθαίνει με ευκολία, δεν την εισαγάγετε σωστά.

## Σύστημα προστασίας μπαταρίας (Μπαταρία ιόντων λιθίου με την ένδειξη άστρου) (Εικ. 9)

Οι μπαταρίες ιόντων λιθίου με ένδειξη άστρου είναι εφοδιασμένες με ένα σύστημα προστασίας. Αυτό το σύστημα διακόπτει αυτόματα το ρεύμα στο εργαλείο για να παρατείνεται η διάρκεια ζωής της μπαταρίας. Το εργαλείο θα σταματήσει αυτόματα κατά τη λειτουργία όταν το εργαλείο και/ή η μπαταρία υποστούν τις παρακάτω συνθήκες.

- **Υπερφόρτιση:**  
Το εργαλείο λειτουργεί με τρόπο που προκαλεί τη κατανάλωση ασυνήθιστα υψηλής ποσότητας ρεύματος.  
Στην περίπτωση αυτή, ελευθερώστε σκανδάλη-διακόπτης του εργαλείου και σταματήστε την εφαρμογή που προκάλεσε την υπερφόρτωση του εργαλείου. Στη συνέχεια, τραβήξτε τη σκανδάλη-διακόπτης ξανά για επανεκκίνηση.  
Εάν το εργαλείο δεν ξεκινά, η μπαταρία έχει υπερθερμανθεί. Στην περίπτωση αυτή, αφήστε την μπαταρία να κρυώσει πριν τραβήξετε τη σκανδάλη-διακόπτης ξανά.
- **Χαμηλή τάση της μπαταρίας:**  
Η εναπομένουσα ποσότητα ρεύματος της μπαταρίας είναι πολύ χαμηλή και το εργαλείο δεν θα λειτουργήσει. Σε αυτήν την περίπτωση, αφαιρέστε και επαναφορτίστε τη μπαταρία.

### Ρύθμιση του βάθους κοπής (Εικ. 10)

#### ΠΡΟΣΟΧΗ:

- Μετά τη ρύθμιση του βάθους κοπής, πάντοτε να σφίγγετε καλά το μοχλό.  
Χαλαρώστε το μοχλό στην πλευρά της πίσω λαβής και μετακινήστε τη βάση προς τα πάνω ή προς τα κάτω. Στο επιθυμητό βάθος κοπής, ασφαλίστε τη βάση σφίγγοντας το μοχλό.  
Για καλύτερο και ασφαλέστερο κόψιμο, ρυθμίστε το βάθος κοπής ώστε μόνο ένα δόντι του δίσκου να προεξέχει κάτω από το τεμάχιο εργασίας. Η χρήση κατάλληλου βάθους κοπής συμβάλλει στη μείωση της πιθανότητας επικίνδυνου ΚΛΟΤΣΗΜΑΤΟΣ που μπορεί να προκαλέσουν τραυματισμό.

### Λοξοτομή (Εικ. 11)

Ξεοφίξτε το μοχλό στη βαθμολογημένη κλίμακα λοξοτομής που βρίσκεται στην μπροστινή βάση. Ρυθμίστε την επιθυμητή γωνία (0° - 50°) δίνοντας την κατάλληλη κλίση και έπειτα σφίξτε καλά το μοχλό.

### Επίβλεψη (Εικ. 12)

Για ευθείες κοπές, ευθυγραμμίστε τη θέση Α στο μπροστινό μέρος της βάσης με τη γραμμή κοπής. Για λοξοτομές 45°, ευθυγραμμίστε τη θέση Β με αυτήν.

### Δράση διακόπτη (Εικ. 13)

#### ΠΡΟΣΟΧΗ:

- Πριν τραβήξετε την σκανδάλη-διακόπτη στο εργαλείο, πάντοτε να ελέγχετε ότι η σκανδάλη-διακόπτης ενεργοποιείται κανονικά και επιστρέφει στη θέση OFF όταν την αφήνετε.
- Μην τραβήξετε τη σκανδάλη-διακόπτη με βία χωρίς να πατάτε το μοχλό ασφάλισης. Θα σπάσει ο διακόπτης.



αποφύγετε μια θέση που αφήνει εκτεθειμένο το χειριστή σε θραύσματα και πριονίδια που εκτοξεύονται από το δισκοπρίονο. Χρησιμοποιήστε προστασία ματιών για την αποφυγή τραυματισμού.

## Οδηγός κομματιού (οδηγός χάρακας) (αξεσουάρ) (Εικ. 21)

Ο πρακτικός οδηγός κομματιού σάς επιτρέπει να κάνετε ευθείες κοπές με μεγάλη ακρίβεια. Απλά ολισθήστε τον οδηγό κομματιού εφαρμόστέα επάνω στη πλευρά του τεμαχίου εργασίας και ασφαλίστε τον στην κατάλληλη θέση με τη βίδα στο μπροστινό μέρος της βάσης. Αυτό κάνει επίσης δυνατή την επαναλαμβανόμενη και ομοιόμορφη κοπή κομματιών ίδιου πλάτους.

## ΣΥΝΤΗΡΗΣΗ

### ΠΡΟΣΟΧΗ:

- Να βεβαιώνετε πάντοτε ότι το εργαλείο είναι σβηστό και έχετε αφαιρέσει την μπαταρία πριν εκτελέσετε οποιαδήποτε εργασία ελέγχου ή συντήρησης σε αυτό.
- Μην χρησιμοποιήσετε βενζίνη, βενζόλη, διαλυτικό, αλκοόλη ή κάτι παρόμοιο. Μπορεί να προκληθεί αποχρωματισμός, παραμόρφωση ή ρωγμές.

## Ρύθμιση για ακρίβεια κοπής 90° (κάθετη κοπή)

Αυτή η ρύθμιση έχει γίνει στο εργοστάσιο. Εάν όμως απορρυθμιστεί, μετακινήστε τις βίδες ρύθμισης με τη βοήθεια εξαγωνικού άλεν ενώ ελέγχετε ότι η γωνία μεταξύ της βάσης και του δίσκου είναι 90° με τη χρήση γεωμετρικού τριγώνου, τετραγώνου χάρακα κτλ. (Εικ. 22 και 23)

## Αλλαγή καρβουνακιών (Εικ. 24)

Να αφαιρείτε και να ελέγχετε τακτικά τα καρβουνάκια. Να αντικαθιστάτε τα καρβουνάκια όταν έχουν φθαρεί έως την ένδειξη ορίου. Να διατηρείτε τα καρβουνάκια καθαρά και ελεύθερα για να γλιστρούν στις υποδοχές. Πρέπει να αλλάζετε ταυτόχρονα και τα δύο καρβουνάκια. Να χρησιμοποιείτε μόνο καρβουνάκια ίδιου τύπου. Με τη βοήθεια ενός κατασβιδιού, βγάλτε τα καπάκια της υποδοχής για τα καρβουνάκια. Βγάλτε τα φθαρμένα καρβουνάκια, τοποθετήστε τα καινούργια και ασφαλίστε τα καπάκια της υποδοχής για τα καρβουνάκια. (Εικ. 25)

Για να διατηρείται η ΑΣΦΑΛΕΙΑ και η ΑΞΙΟΠΙΣΤΙΑ του προϊόντος, οι εργασίες επισκευής, καθώς και οποιαδήποτε άλλη εργασία συντήρησης ή ρύθμισης, θα πρέπει να εκτελούνται σε εξουσιοδοτημένα κέντρα εξυπηρέτησης της Makita, και πάντοτε με τη χρήση ανταλλακτικών της Makita.

## ΠΡΟΑΙΡΕΤΙΚΑ ΑΞΕΣΟΥΑΡ

### ⚠️ ΠΡΟΣΟΧΗ:

- Συνιστάται η χρήση αυτών των αξεσουάρ ή εξαρτημάτων με το εργαλείο της Makita, όπως περιγράφεται στο παρόν εγχειρίδιο. Αν χρησιμοποιήσετε άλλα αξεσουάρ ή εξαρτήματα μπορεί να παρουσιαστεί κίνδυνος για πρόκληση τραυματισμού προσώπων. Να χρησιμοποιείτε τα αξεσουάρ και τα εξαρτήματα μόνο για το σκοπό για τον οποίο προορίζονται.

Αν χρειάζεστε κάποια βοήθεια ή περισσότερες πληροφορίες σχετικά με τα αξεσουάρ αυτά, απευθυνθείτε στο πλησιέστερο κέντρο εξυπηρέτησης της Makita.

- Δίσκοι
- Οδηγός κομματιού (Οδηγός χάρακας)
- Εξαγωνικό άλεν 5
- Στόμιο σκόνης
- Αυθεντική μπαταρία και φορτιστής της Makita

### ΣΗΜΕΙΩΣΗ:

- Ορισμένα από τα στοιχεία της λίστα μπορεί να περιέχονται στην συσκευασία του εργαλείου ως κανονικά αξεσουάρ. Αυτά ενδέχεται να διαφέρουν από χώρα σε χώρα.

### Θορύβος

ENG905-1

Το σύνθηρες σταθμισμένο επίπεδο θορύβου που έχει καθοριστεί σύμφωνα με την EN60745:

#### Μοντέλο DSS500

Επίπεδο ηχητικής πίεσης ( $L_{pA}$ ): 75 dB (A)

Αβεβαιότητα (K): 3 dB (A)

Το επίπεδο θορύβου κατά τη λειτουργία ενδέχεται να υπερβεί τα 80 dB (A).

#### Μοντέλο DSS501

Επίπεδο ηχητικής πίεσης ( $L_{pA}$ ): 76 dB (A)

Αβεβαιότητα (K): 3 dB (A)

Το επίπεδο θορύβου κατά τη λειτουργία ενδέχεται να υπερβεί τα 80 dB (A).

#### Να φοράτε ωτοασπίδες.

### Δόνηση

ENG900-1

Η συνολική τιμή δόνησης (διανυσματικό άθροισμα τριών αξόνων) που έχει καθοριστεί σύμφωνα με την EN60745:

Κατάσταση λειτουργίας: κοπή ξύλου

Εκπομπή δόνησης ( $a_{h,w}$ ): 2,5 m/s<sup>2</sup> ή λιγότερο

Αβεβαιότητα (K): 1,5 m/s<sup>2</sup>

ENG901-1

- Η δηλωθείσα τιμή των παραγομένων κραδασμών έχει καταμετρηθεί σύμφωνα με την τυποποιημένη μέθοδο δοκιμασίας και μπορεί να χρησιμοποιηθεί για την σύγκριση ενός εργαλείου με ένα άλλο.
- Η δηλωθείσα τιμή των παραγομένων κραδασμών μπορεί επίσης να χρησιμοποιηθεί για μια προκαταρκτική αξιολόγηση της έκθεσης στους κραδασμούς.

### ⚠️ ΠΡΟΕΙΔΟΠΟΙΗΣΗ:

- Η εκπομπή κραδασμών κατά τη διάρκεια της πραγματικής χρήσης του ηλεκτρικού εργαλείου μπορεί να διαφέρει από τη δηλωθείσα τιμή των εκπομπών, ανάλογα με τον τρόπο με τον οποίο χρησιμοποιείται το εργαλείο.
- Φροντίστε να λάβετε τα μέτρα ασφαλείας που απαιτούνται για την προστασία του χρήστη που βασίζονται σε μια εκτίμηση της έκθεσης σε πραγματικές συνθήκες χρήσης (λαμβάνοντας υπόψη όλα τα μέρη του κύκλου λειτουργίας, όπως είναι οι περιπτώσεις κατά τις οποίες το εργαλείο είναι απενεργοποιημένο και όταν λειτουργεί στο ρελαντί επιπρόσθετως του χρόνου κατά τον οποίο το εργαλείο βρίσκεται σε χρήση).

Για τις ευρωπαϊκές χώρες μόνο

ENH101-17

**EK – Δήλωση συμμόρφωσης**

**Η Makita δηλώνει ότι το παρακάτω μηχάνημα(τα):**

Όνομασία μηχανήματος:

Φορητό δισκοπρίοιο

Αρ. Μοντέλου/Τύπος: DSS500, DSS501

**Συμμορφώνονται με τις ακόλουθες Ευρωπαϊκές**

**Οδηγίες:**

2006/42/EK

Κατασκευάζονται σύμφωνα με το παρακάτω πρότυπο ή τυποποιημένα έγγραφα:

EN60745

Το τεχνικό αρχείο σύμφωνα με την 2006/42/EK είναι διαθέσιμο από:

Makita, Jan-Baptist Vinkstraat 2, 3070, Belgium

31. 12. 2013



Yasushi Fukaya

Διευθυντής

Makita, Jan-Baptist Vinkstraat 2, 3070, Belgium

**Makita** Jan-Baptist Vinkstraat 2, 3070, Belgium  
**Makita Corporation** Anjo, Aichi, Japan