

RYOBI®

RPT184515
OPT1845

ORIGINAL INSTRUCTIONS

TRADUCTION DES INSTRUCTIONS ORIGINALES

ÜBERSETZUNG DER ORIGINALANLEITUNG

TRADUCCIÓN DE LAS INSTRUCCIONES ORIGINALES

TRADUZIONE DELLE ISTRUZIONI ORIGINALI

VERTALING VAN DE ORIGINELE INSTRUCTIES

TRADUÇÃO DAS INSTRUÇÕES ORIGINAIS

OVERSETTELSE AF DE ORIGINELE INSTRUKTIONER

ÖVERSÄTTNING AV DE URSPRUNGLIGA INSTRUKTIONERNA

ALKUPERÄISTEN OHJEIDEN SUOMENOS

OVERSETTELSE AV DE ORIGINELE INSTRUKSJONENE

ПЕРЕВОД ОРИГИНАЛЬНЫХ ИНСТРУКЦИЙ

TŁUMACZENIE INSTRUKCJI ORYGINALNEJ

PŘEKLAD ORIGINÁLNÍCH POKYNŮ

AZ EREDETI ÚTMUTATÓ FORDÍTÁSA

TRADUCEREA INSTRUCȚIUNILOR ORIGINALE

TULKOTS NO ORĪGINĀLĀS INSTRUKCIJAS

ORIGINALIŲ INSTRUKCIJŲ VERTIMAS

ORIGINAALJUHENDI TÕLGE

PRIJEVOD ORIGINALNIH UPUTA

PREVOD ORIGINALNIH NAVODIL

PREKLAD ORIGINÁLNYCH POKYNOV

ПРЕВОД ОТ ОРИГИНАЛНИТЕ ИНСТРУКЦИИ

ПЕРЕКЛАД ОРИГИНАЛЬНИХ ИНСТРУКЦІЙ



EN
FR
DE
ES
IT
NL
PT
DA
SV
FI
NO
RU
PL
CS
HU
RO
LV
LT
ET
HR
SL
SK
BG
UK



Important!	It is essential that you read the instructions in this manual before assembling, maintaining and operating the product.
Attention!	Il est essentiel que vous lisiez les instructions contenues dans ce manuel avant d'assembler, d'entretenir et d'utiliser le produit.
Achtung!	Es ist wichtig, dass Sie vor Zusammenbau, Wartung und Benutzung des Produktes die Anweisungen in dieser Anleitung lesen.
¡Atención!	Resulta fundamental que lea este manual de instrucciones antes de realizar el montaje, el mantenimiento y de utilizar este producto
Attenzione!	E' importante leggere le istruzioni contenute nel presente manuale prima di montare il prodotto, svolgere le operazioni di manutenzione sullo stesso e metterlo in funzione.
Let op!	Het is van essentieel belang dat u de instructies in deze gebruiksaanwijzing leest voor u het product monteert, onderhoudt en gebruikt.
Atenção!	É fundamental que leia as instruções deste manual antes da montagem, manutenção e operação do aparelho.
OBS!	Det er vigtigt, at man læser instrukserne i denne brugsanvisning, inden man samler, vedligeholder og betjener produktet.
Observera!	Det är viktigt att du läser instruktionerna i manualen före monteringen, användning och underhåll av produkten.
Huomio!	On tärkeää, että luet tämän käsikirjan ohjeet ennen tuotteen kokoamista, huoltoa ja käyttöä.
Advarsel!	Det er viktig at du leser instruksjonene i denne manualen før sammensetning, vedlikehold og bruk av produktet
Внимание!	Необходимо прочитать инструкции в данном руководстве перед сборкой, обслуживанием и эксплуатацией этого изделия.
Uwaga!	KoniecznIE należy przeczytać instrukcje zawarte w tym podręczniku przed montażem, obsługą oraz konserwacją produktu.
Důležitě upozornění!	Neinstalujte, neprovádějte údržbu ani nepoužívejte tento výrobek dříve, než si přečtete pokyny uvedené v tomto návodu.
Figyelem!	Fontos, hogy a termék összeszerelése, karbantartása és használatá elött elolvassa a kézikönyvben található utasításokat.
Atenție!	Este esențial să citiți instrucțiunile din acest manual înainte de asamblare, efectuarea întreinerii și operarea produsului.
Uzmanību!	Ir svarīgi izlasīt šīs rokasgrāmatas instrukcijas pirms uzstādīšanas, apkopes un precas darbināšanas.
Démesio!	Prieš surenkant, prižiūrint ir naudojant gaminį, būtina perskaityti šiąme vadove pateiktus nurodymus.
Tähtis!	Enne masina kokkupanekut, hooldamist ja kasutama hakkamist tuleb käesolevas juhendis esitatud juhised kindlasti läbi lugeda.
Upozorenje!	Vrlo je važno da ste prije sklapanja, održavanja i rada s ovim proizvodom pročitali upute u ovom priručniku.
Pomembno!	Pomembno je da pred montažo vzdrževanjem in uporabo tega izdelka preberete navodila v tem priročniku.
Upzornenie!	Je dôležité, aby ste si pred montážou, údržbou a obsluhou produktu prečítali pokyny v tomto návode.
Важно!	Исключительно важно е да прочетете инструкциите в настоящото ръководство, преди да преминете къмглобяване, поддръжка или работа с продукта.
Важливо!	Дуже важливо, щоб ви прочитали інструкції в цьому керівництві перед складанням, обслуговуванням та експлуатацією цієї машини.

Subject to technical modification | Sous réserve de modifications techniques | Technische Änderungen vorbehalten | Bajo reserva de modificaciones técnicas | Con riserva di eventuali modifiche tecniche | Technische wijzigingen voorbehouden | Com reserva de modificações técnicas | Med forbehold for tekniske ændringer | Med förbehåll för tekniska ändringar | Tekniset muutokset varataan | Med forbehold om tekniske ændringer | могут быть внесены технические изменения | Z zastrzeżeniem modyfikacji technicznych | Změny technických údajů vyhrazeny | A műszaki módosítás jogát fenntartjuk | Sub rezerva modificărilor tehnice | Paturam tiesības mainīt tehniskos raksturlielumus | Pasiliekan teisę daryti techninius pakeitimus | Tehnilised muudatused võimalikud | Podloženo tehničkim promjenama | Tehnične spremembe dopuščene | Právo na technické zmeny je vyhradené | Подлежи на технически модификации | Є об'єктом для технічних змін



Safety, performance, and dependability have been given top priority in the design of your cordless pole hedge trimmer.

INTENDED USE

The product is only intended for use outdoors by a single operator who is standing on firm solid ground. For safety reasons the product must be adequately controlled by using two handed operation.

The product is designed for home or domestic use. It is intended to cut and trim hedges, shrubs and similar vegetation. The product is designed to be extended to a maximum length of 2.93 m. Do not exceed this working length.

It should be used in dry, well illuminated conditions.

It is not intended to cut grass, trees or branches. It should not be used for any other purpose than hedge trimming.

GENERAL SAFETY WARNINGS

WARNING

Read all safety warnings and all instructions. Failure to follow the warnings and instructions may result in electric shock, fire and/or serious injury.

Save all warnings and instructions for future reference.

The term "power tool" in the warnings refers to your mains-operated (corded) power tool or battery-operated (cordless) power tool.

WORK AREA SAFETY

- **Keep work area clean and well lit.** Cluttered or dark areas invite accidents.
- **Do not operate power tools in explosive atmospheres, such as in the presence of flammable liquids, gases or dust.** Power tools create sparks which may ignite the dust or fumes.
- **Keep children and bystanders away while operating a power tool.** Distractions can cause you to lose control.

ELECTRICAL SAFETY

- **Power tool plugs must match the outlet. Never modify the plug in any way. Do not use any adapter plugs with earthed (grounded) power tools.** Unmodified plugs and matching outlets will reduce risk of electric shock.
- **Avoid body contact with earthed or grounded surfaces, such as pipes, radiators, ranges and refrigerators.** There is an increased risk of electric shock if your body is earthed or grounded.
- **Do not expose power tools to rain or wet conditions.** Water entering a power tool will increase the risk of electric shock.
- **Do not abuse the cord. Never use the cord for carrying, pulling or unplugging the power tool. Keep cord away from heat, oil, sharp edges or moving parts.** Damaged or entangled cords increase the risk of electric shock.

- **When operating a power tool outdoors, use an extension cord suitable for outdoor use.** Use of a cord suitable for outdoor use reduces the risk of electric shock.
- **If operating a power tool in a damp location is unavoidable, use a residual current device (RCD) protected supply.** Use of an RCD reduces the risk of electric shock.

PERSONAL SAFETY

- **Stay alert, watch what you are doing and use common sense when operating a power tool. Do not use a power tool while you are tired or under the influence of drugs, alcohol or medication.** A moment of inattention while operating power tools may result in serious personal injury.
- **Use personal protective equipment. Always wear eye protection.** Protective equipment such as dust mask, non-skid safety shoes, hard hat or hearing protection used for appropriate conditions will reduce personal injuries.
- **Prevent unintentional starting. Ensure the switch is in the off-position before connecting to power source and/or battery pack, picking up or carrying the tool.** Carrying power tools with your finger on the switch or energising power tools that have the switch on invites accidents.
- **Remove any adjusting key or wrench before turning the power tool on.** A wrench or a key left attached to a rotating part of the power tool may result in personal injury.
- **Do not overreach. Keep proper footing and balance at all times.** This enables better control of the power tool in unexpected situations.
- **Dress properly. Do not wear loose clothing or jewellery. Keep your hair, clothing and gloves away from moving parts.** Loose clothes, jewellery or long hair can be caught in moving parts.
- **If devices are provided for the connection of dust extraction and collection facilities, ensure these are connected and properly used.** Use of dust collection can reduce dust-related hazards.

POWER TOOL USE AND CARE

- **Do not force the power tool. Use the correct power tool for your application.** The correct power tool will do the job better and safer at the rate for which it was designed.
- **Do not use the power tool if the switch does not turn it on and off.** Any power tool that cannot be controlled with the switch is dangerous and must be repaired.
- **Disconnect the plug from the power source and/or the battery pack from the power tool before making any adjustments, changing accessories or storing power tools.** Such preventive safety measures reduce the risk of starting the power tool accidentally.
- **Store idle power tools out of the reach of children and do not allow persons unfamiliar with the power tool or these instructions to operate the power tool.** Power tools are dangerous in the hands of untrained users.

EN
FR
DE
ES
IT
NL
PT
DA
SV
FI
NO
RU
PL
CS
HU
RO
LV
LT
ET
HR
SL
SK
BG
UK





- **Maintain power tools. Check for misalignment or binding of moving parts, breakage of parts and any other condition that may affect the power tool's operation. If damaged, have the power tool repaired before use.** Many accidents are caused by poorly maintained power tools.
- **Keep cutting tools sharp and clean.** Properly maintained cutting tools with sharp cutting edges are less likely to bind and are easier to control.
- **Use the power tool, accessories and tool bits etc, in accordance with these instructions, taking into account the working conditions and the work to be performed.** Use of the power tool for operations different from those intended could result in a hazardous situation.

BATTERY TOOL USE AND CARE

- **Recharge only with the charger specified by the manufacturer.** A charger that is suitable for one type of battery pack may create a risk of fire when used with another battery pack.
- **Use power tools only with specifically designated battery packs.** Use of any other battery packs may create a risk of injury and fire.
- **When battery pack is not in use, keep it away from other metal objects, like paper clips, coins, keys, nails, screws or other small metal objects, that can make a connection from one terminal to another.** Shorting the battery terminals together may cause burns or a fire.
- **Under abusive conditions, liquid may be ejected from the battery; avoid contact. If contact accidentally occurs, flush with water. If liquid contacts eyes, additionally seek medical help.** Liquid ejected from the battery may cause irritation or burns.

SERVICE

- **Have your power tool serviced by a qualified repair person using only identical replacement parts.** This will ensure that the safety of the power tool is maintained.

POLE HEDGE TRIMMER SAFETY WARNINGS

- **Keep all parts of the body away from the cutter blades.** A moment of inattention while operating the product may result in serious personal injury.
- **Carry the pole hedge trimmer by the handle with cutter blade stopped. When transporting or storing the pole hedge trimmer always fit the cutting device cover.** Proper handling of the pole hedge trimmer will reduce possible personal injury from the cutter blades.
- **Hold the power tool by insulated gripping surface only, because the cutter blade may contact hidden wiring.** Cutter Blades contacting a "live" wire may make exposed metal parts of the power tool "live" and could give the operator an electric shock.

ADDITIONAL SAFETY WARNINGS

- Clear the work area before each use. Remove all objects such as cords, lights, wire, or string which can be thrown or become entangled in the cutting means.
- Beware of thrown objects; keep all bystanders, children, and pets at least 15 m away from work area.
- Check constantly for persons or animals behind or inside any hedge or bush you intend to trim.
- Do not operate in poor lighting. The operator requires a clear view of the work area to identify potential hazards.
- Inspect the machine before each use. Check for loose fasteners, etc. Make sure all guards, and handles are properly and securely attached. Replace any damaged parts before use.
- Do not modify the product in any way.
- Do not allow children or untrained individuals to use this unit.
- Wear full eye and hearing protection while operating the product. If working in an area where there is a risk of falling objects, head protection must be worn.
- Wear heavy long trousers, boots, and gloves. Do not wear loose fitting clothing, short trousers, jewellery of any kind, or use with bare feet.
- Secure long hair so it is above shoulder level to prevent entanglement in moving parts.
- Do not use the product when you are tired, ill, or under the influence of alcohol, drugs, or medication.
- Keep firm footing and balance. Do not overreach. Overreaching can result in loss of balance and can result in serious injury.
- Before starting the product, make sure the cutting blades will not come in contact with anything.
- Ensure that the product is correctly located in a designated working position before starting the product.
- While operating the pole hedge trimmer, always hold it firmly with both hands by the two handles and ensure that the operating position is safe and secure. The manufacturer does not recommend the use of steps or ladders.
- Use the harness if it is supplied with your pole hedge trimmer. It will assist you to support the weight of the product during use and whilst moving between trimming positions. Carefully adjust the harness to fit comfortably.
- Identify the quick release mechanism and practice using it before you start using the product. Its correct use may prevent serious injury in the case of an emergency. Never wear additional clothing over the harness or otherwise restrict access to the quick release mechanism.
- To protect yourself from electrocution, do not operate within 10 m of overhead electrical lines.
- Never use the pole hedge trimmer near fencing, posts, buildings, or other immovable objects.
- Blades are sharp. When handling the blade assembly, wear non-slip, heavy-duty protective gloves. Do not place your hand or fingers between blades or in any position where they could get pinched or cut. Never touch blade or service unit unless the battery pack is



removed.

- Switch off and remove the battery pack before:
 - adjusting the working position of the cutting device
 - cleaning or clearing a blockage
 - leaving the product unattended
 - checking, maintenance or working on the product.
- Do not force the pole hedge trimmer through heavy shrubbery. This can cause the blades to bind and slow down. If the blades slow down, reduce the pace.
- Do not attempt to cut stems or twigs that are larger than 18 mm thick, or those obviously too large to feed into the cutting blade. Use a non-powered hand saw or pruning saw to trim large stems.
- Use of hearing protection reduces the ability to hear warnings (shouts or alarms). The operator must pay extra attention to what is going on in the working area.
- Do not operate the pole hedge trimmer with damaged or excessively worn blades.
- Always be aware of your surroundings and stay alert for possible hazards that you may not hear due to the noise of the product.

WARNING

If the product is dropped, suffers heavy impact or begins to vibrate abnormally, immediately stop the product and inspect for damage or identify the cause of the vibration. Any damage should be properly repaired or replaced by an authorised service centre.

WARNING

Check that all the shaft couplings on the extension pole and tool are securely fastened before each use and at frequent intervals.

TRANSPORTATION AND STORAGE

- Stop the product, remove the battery and allow both to cool before storing or transporting.
- Clean all foreign material from the product. Store it in a cool dry and well-ventilated place that is inaccessible to children. For extra safety, store the battery separately from the product. Keep away from corrosive agents such as garden chemicals and de-icing salts. Do not store outdoors.
- Cover the blade with the blade protector before storing the unit, or during transportation.
- For transportation, secure the product against movement or falling to prevent injury to persons or damage to the product.

MAINTENANCE

WARNING

Use only original manufacturer's replacement parts, accessories and attachments. Failure to do so can cause possible injury, poor performance and may void your warranty.

WARNING

Servicing requires extreme care and knowledge and should be performed only by a qualified service technician. For service we suggest you return the product to your nearest authorised service centre for repair. When servicing, use only identical replacement parts.

WARNING

The blades are sharp. To prevent personal injury, exercise extreme caution when cleaning, lubricating and fitting or removing the blade protector.

- Remove the battery before conducting any maintenance or cleaning work.
- You may only make adjustments or repairs described in this manual. For other repairs, contact the authorised service agent.
- After each use, clean the body and handles of the product with a soft dry cloth.
- After each use, clean the debris from the blades with a stiff brush, and then carefully apply a rust preventative lubricant before refitting the blade protector. Use the recommended rust preventative and lubricant spray. Take care to avoid contact with the blade when applying an even distribution of the lubricant. For information about suitable spray product check with your local authorised service centre.
- You may wish to lubricate the blades lightly before use if necessary using the above method.
- Check all nuts, bolts and screws at frequent intervals for proper tightness to ensure the product is in safe working condition. Any part that is damaged should be properly repaired or replaced by an authorised service centre.

RESIDUAL RISKS

Even when the product is used as prescribed, it is still impossible to completely eliminate certain residual risk factors. The following hazards may arise in use and the operator should pay special attention to avoid the following:

- The blades cannot be guarded whilst cutting. Contact with the blades can cause serious injury. Keep the blade away from yourself and others. Cover it with the blade protector whenever you are not cutting.
- Injury caused by vibration. Always use the right tool for the job, use designated handles and restrict working time and exposure.

- Exposure to noise can cause hearing injury. Wear ear protection and limit exposure.

RISK REDUCTION

It has been reported that vibrations from handheld tools may contribute to a condition called Raynaud's Syndrome in certain individuals. Symptoms may include tingling, numbness and blanching of the fingers, usually apparent upon exposure to cold. Hereditary factors, exposure to cold and dampness, diet, smoking and work practices are all thought to contribute to the development of these symptoms. There are measures that can be taken by the operator to possibly reduce the effects of vibration:

- Keep your body warm in cold weather. When operating the unit wear gloves to keep the hands and wrists warm. It is reported that cold weather is a major factor contributing to Raynaud's Syndrome.
- After each period of operation, exercise to increase blood circulation.
- Take frequent work breaks. Limit the amount of exposure per day.

If you experience any of the symptoms of this condition, immediately discontinue use and see your doctor about these symptoms.

⚠ WARNING

Injuries may be caused, or aggravated, by prolonged use of a tool. When using any tool for prolonged periods, ensure you take regular breaks.

KNOW YOUR PRODUCT

See page 125.

1. Blade
2. Pivoting button
3. Extension pole
4. Shaft coupling
5. Harness hanger
6. Front hand grip
7. Trigger release
8. On/Off trigger
9. HedgeSweep™ debris sweeper
10. Scabbard
11. Harness
12. Battery
13. Battery latch button
14. Charger

SYMBOLS ON THE PRODUCT



Safety alert



Read and understand all instructions before operating the product, follow all warnings and safety instructions.



Wear eye, ear and head protection.



Wear non-slip safety footwear when using the product.



Wear non-slip, heavy duty gloves.



Do not expose to rain or damp condition.



Pull: Quick release tab



Sharp cutting blades. To prevent serious injury, do not touch cutting blades.



Electrical hazard. Stay at least 10 m away from the overhead electric-power lines



Beware of thrown or flying objects. Keep all bystanders, especially children and pets, at least 15 m away from the operating area



Waste electrical products should not be disposed of with household waste. Please recycle where facilities exist. Check with your local authority or retailer for recycling advice.



Conforms to all regulatory standards in the country in the EU where the product is purchased.



EurAsian Conformity Mark



Ukrainian mark of conformity



Guaranteed sound power level is 95 dB

SYMBOLS IN THIS MANUAL



Parts or accessories sold separately



Note



Warning

The following signal words and meanings are intended to explain the levels of risk associated with this product.

⚠ DANGER

Indicates an imminently hazardous situation, which, if not avoided, will result in death or serious injury.

⚠ WARNING

Indicates a potentially hazardous situation, which, if not avoided, could result in death or serious injury.

⚠ CAUTION

Indicates a potentially hazardous situation, which, if not avoided, may result in minor or moderate injury.

CAUTION

Without safety alert symbol

Indicates a situation that may result in property damage.

EN

FR

DE

ES

IT

NL

PT

DA

SV

FI

NO

RU

PL

CS

HU

RO

LV

LT

ET

HR

SL

SK

BG

UK



La plus grande priorité a été donnée à la sécurité, aux performances et à la fiabilité de votre taille-haies sans-fil sur perche lors de sa conception.

UTILISATION PRÉVUE

Ce produit est conçu pour n'être utilisé qu'à l'extérieur et par un seul opérateur se tenant debout sur un sol stable. Pour des raisons de sécurité, le produit doit être en permanence contrôlé des deux mains.

Ce produit est destiné à un usage privé. Il a été conçu pour la coupe et la taille des haies, des arbustes et autres végétaux similaires. Ce produit est conçu pour être étiré à une longueur maximale de 2.93 m.

Ne dépassez pas cette longueur de travail.

Il doit être utilisé dans un environnement sec et bien éclairé.

Il n'a PAS été conçu pour la coupe d'herbe, d'arbres ou de branches. Il doit être uniquement utilisé pour la taille des haies.

AVERTISSEMENTS GÉNÉRAUX DE SÉCURITÉ

AVERTISSEMENT

Lisez tous les avertissements de sécurité et toutes les instructions. Le non-respect des avertissements et instructions peut entraîner une décharge électrique, un incendie et/ou de graves blessures.

Conservez ces avertissements et instructions pour pouvoir vous y reporter ultérieurement.

Le terme "outil électrique" dans les avertissements se rapporte à votre outil électrique alimenté par le secteur (à fil) ou par batterie (sans fil).

ENVIRONNEMENT DE TRAVAIL

- **Gardez l'espace de travail propre et bien éclairé.** Les espaces de travail sombres ou encombrés sont propices aux accidents.
- **N'utilisez pas d'outil électrique en atmosphère explosive, comme en présence de liquides inflammables, de gaz ou de poussières.** Les appareils électriques produisent des étincelles susceptibles d'enflammer poussières et vapeurs.
- **Gardez les enfants et les visiteurs à distance lorsque vous utilisez un outil électrique.** Les distractions peuvent entraîner une perte de contrôle.

SÉCURITÉ ÉLECTRIQUE

- **Les fiches secteur des outils électriques doivent correspondre à la prise de courant. Ne modifiez jamais la fiche secteur d'aucune façon. N'utilisez pas d'adaptateurs avec les outils électriques reliés à la terre.** L'utilisation de fiches secteur non modifiées et adaptées à la prise de courant réduit le risque de décharge électrique.
- **Évitez que votre corps entre en contact avec des surfaces reliées à la terre, telles que des tuyaux, radiateurs, cuisinières et réfrigérateurs.** Le risque de décharge électrique est accru si votre corps est électriquement relié à la terre.

- **N'exposez ce produit à la pluie ou à des conditions humides.** La pénétration d'eau dans un outil électrique augmente le risque de décharge électrique.
- **Ne maltraitez pas le câble d'alimentation. Ne vous servez jamais du câble d'alimentation pour transporter l'outil, pour le tirer, ou pour en débrancher la fiche secteur. Gardez le câble à l'écart de la chaleur, de l'huile, des bords coupants et des pièces en mouvement.** Les câbles endommagés ou emmêlés augmentent le risque de décharge électrique.
- **Lorsque vous utilisez un outil électrique en extérieur, utilisez une rallonge adaptée à un usage en extérieur.** L'utilisation d'une rallonge adaptée à un usage en extérieur réduit les risques de choc électrique.
- **Si l'usage d'un outil dans un emplacement humide est inévitable, utiliser une alimentation protégée par un dispositif à courant différentiel résiduel (RCD).** L'usage d'un RCD réduit le risque de choc électrique.

SÉCURITÉ PERSONNELLE

- **Restez vigilant, regardez ce que vous faites et faites preuve de bon sens lorsque vous utilisez un outil électrique. N'utilisez pas d'outil électrique si vous êtes fatigué ou sous l'influence de l'alcool, de drogues ou de médicaments.** Un moment d'inattention lors de l'utilisation d'un outil électrique suffit à provoquer de graves blessures.
- **Utilisez des protections individuelles. Portez toujours une protection oculaire.** Des équipements de protection tels qu'un masque anti-poussières, des chaussures de sécurité antidérapantes, ou une protection auditive dans les conditions appropriées réduit le risque de blessures.
- **Prévenez les mises en marche accidentelles. Assurez-vous que l'interrupteur est en position "arrêt" avant la connexion au secteur et/ou l'insertion de la batterie, ainsi qu'avant de saisir ou de transporter l'outil.** Le transport d'un outil électrique avec votre doigt sur l'interrupteur ou la mise sous tension d'un outil dont l'interrupteur est en position "marche" est propice aux accidents.
- **Retirez toute clé ou tout outil de réglage avant de mettre l'outil électrique en marche.** Une clé ou un outil laissé sur une partie tournante d'un outil électrique est susceptible d'entraîner des blessures.
- **Ne pas se précipiter. Garder une position et un équilibre adaptés à tout moment.** Cela permet un meilleur contrôle de l'outil dans des situations inattendues.
- **Portez des vêtements adéquats. Ne portez pas de vêtements ou de bijoux amples. Maintenez vos cheveux, vos vêtements et vos gants éloignés des parties en mouvement.** Les vêtements et bijoux amples ainsi que les cheveux longs sont susceptibles d'être happés par les parties en mouvement.
- **Si un dispositif d'extraction et de collecte des poussières est fourni, assurez-vous que ce dispositif est installé et utilisé de façon correcte.** L'utilisation d'un dispositif de collecte des poussières réduit les risques associés aux poussières.





EN
FR
DE
ES
IT
NL
PT
DA
SV
FI
NO
RU
PL
CS
HU
RO
LV
LT
ET
HR
SL
SK
BG
UK

UTILISATION ET ENTRETIEN DES OUTILS ÉLECTRIQUES

- **Ne faites pas forcer le produit. Utilisez un outil électrique adapté au travail à effectuer.** Un outil électrique adapté utilisé dans les limites de ses capacités effectuera un meilleur travail dans de meilleures conditions de sécurité.
- **N'utilisez pas un outil électrique dont l'interrupteur marche/arrêt est inopérant.** Tout outil électrique qui ne peut pas être contrôlé par son interrupteur est dangereux et doit être réparé.
- **Débranchez la fiche secteur de la source de courant et/ou le pack batterie de l'outil électrique avant d'effectuer tout réglage, tout changement d'accessoire, et avant de le ranger.** De telles mesures préventives de sécurité réduisent les risques de mettre accidentellement en marche l'outil électrique.
- **Rangez les outils électriques inutilisés hors de portée des enfants et ne laissez pas les personnes non familiarisées avec l'outil électrique ou avec ces instructions s'en servir.** Les outils électriques sont dangereux entre des mains non entraînées.
- **Entretenez les outils électriques. Vérifiez que les pièces en mouvement sont bien alignées et non déformées, qu'aucune pièce n'est cassée ou mal montée, et qu'aucun autre problème n'est susceptible d'affecter le bon fonctionnement de l'outil électrique.** En cas de dommage, faites réparer l'outil électrique avant de l'utiliser. Beaucoup d'accidents sont dus à des outils électriques mal entretenus.
- **Gardez les outils coupants propres et affûtés.** Les outils coupants bien entretenus et bien affûtés sont moins susceptibles de se déformer et sont plus faciles à contrôler.
- **Utilisez l'outil électrique, ses accessoires et ses embouts, etc. en concordance avec ces instructions, en prenant en compte les conditions de travail et le travail à effectuer.** L'utilisation détournée d'un outil électrique entraîne des situations dangereuses.

UTILISATION ET ENTRETIEN DES OUTILS ALIMENTÉS PAR BATTERIE

- **N'utilisez que le chargeur préconisé par le fabricant.** L'utilisation d'un chargeur prévu pour un type de batterie avec un autre type de batterie peut entraîner un risque d'incendie.
- **N'utilisez les outils électriques qu'avec les packs batterie leur étant spécifiquement destinés.** L'utilisation de tout autre pack batterie entraîne des risques de blessure et d'incendie.
- **Lorsque le pack batterie n'est pas utilisé, éloignez-le des autres objets métalliques tels que trombones, pièces de monnaie, clés, clous, vis, ou autres petits objets susceptibles de court-circuiter les bornes de la batterie.** La mise en court-circuit des bornes de la batterie peut causer des brûlures et entraîner un incendie.
- **Sous des conditions abusives, du liquide peut**

être éjecté de la batterie, évitez d'entrer en contact avec ce liquide. En cas de contact accidentel, lavez à grande eau. Si du liquide entre en contact avec les yeux, consultez immédiatement un médecin. Le liquide éjecté de la batterie peut causer des irritations ou des brûlures.

ENTRETIEN

- **Faites réparer votre outil électrique par un réparateur qualifié n'utilisant que des pièces détachées identiques.** Vous maintiendrez ainsi la sécurité d'utilisation de votre outil électrique.

AVERTISSEMENTS DE SÉCURITÉ RELATIFS AU TAILLE-HAIES SUR PERCHE

- **Maintenez toutes les parties de votre corps éloignées de la lame de coupe.** Un moment d'inattention lors de l'utilisation du produit peut provoquer de graves blessures.
- **Transportez le taille-haies sur perche par sa poignée, les lames de coupe étant arrêtées. Mettez toujours le protège-lame en place lorsque vous transportez ou rangez le taille-haies sur perche.** Une manipulation correcte du taille-haies sur perche réduira les risques de blessures dues aux lames de coupe.
- **Ne tenez l'outil électrique que par ses surfaces de préhension isolées, car la lame de coupe est susceptible d'entrer en contact avec des câbles électriques cachés.** Des lames de coupe qui entreraient en contact avec un câble "sous tension" pourrait véhiculer cette tension électrique vers les parties métalliques de l'outil et exposer l'opérateur à une décharge électrique.

INSTRUCTIONS DE SÉCURITÉ ADDITIONNELLES

- **Dégagez la zone de travail avant chaque utilisation.** Retirez tous les objets tels que câbles, éléments d'éclairage, fils électriques ou ficelles qui pourraient se voir projetés ou s'emmêler dans les éléments de coupe.
- **Prenez garde à la projection d'objets, gardez tout passant, enfant et animal éloigné d'au moins 15 m de l'aire de travail.**
- **Vérifiez constamment l'absence de personnes ou d'animaux dans ou derrière les haies et les buissons que vous avez l'intention de tailler.**
- **N'utilisez pas cet outil dans une zone mal éclairée.** L'opérateur doit avoir une bonne vue d'ensemble de la zone de travail pour identifier les dangers éventuels.
- **Vérifiez la machine avant chaque utilisation.** Vérifiez le bon serrage des attaches, assurez-vous que toutes les protections et poignées sont bien en place et bien verrouillées. Remplacez toute pièce endommagée avant utilisation.
- **Ne modifiez jamais la machine d'aucune façon.**
- **Ne laissez pas des enfants ou des personnes inexpérimentées utiliser ce produit.**
- **Portez une protection auditive et oculaire totale lorsque vous utilisez ce produit.** Si vous travaillez dans une



zone qui comporte des risques de chute d'objets, il est nécessaire que vous portiez un casque de chantier.

- Portez des pantalons longs et épais, des bottes et des gants. Ne portez pas de vêtements amples, de shorts ou de bijoux quels qu'ils soient, et ne travaillez pas pieds nus.
- Attachez les cheveux longs au-dessus du niveau des épaules afin d'éviter qu'ils ne se prennent dans les parties en mouvement.
- N'utilisez pas cet appareil lorsque vous êtes fatigué, malade, ou sous l'influence de l'alcool, de drogues ou de médicaments.
- Ne pas se précipiter. Garder une position et un équilibre adaptés à tout moment. Un travail en extension excessive peut entraîner une perte d'équilibre et provoquer de graves blessures.
- Avant de mettre la machine en marche, assurez-vous que les lames de coupe ne sont en contact avec rien.
- Assurez-vous que la machine est dans une position de travail correcte avant de la démarrer.
- Au cours de l'utilisation du taille-haies sur perche, tenez-le toujours fermement des deux mains à l'aide de ses deux poignées et assurez-vous que votre position de travail est sûre et stable. Le fabricant ne recommande pas l'utilisation d'escabeaux ou d'échelles.
- Utilisez le harnais s'il a été fourni avec votre taille-haies sur perche. Il vous aidera à supporter le poids du produit en cours d'utilisation et au cours du déplacement entre les différents emplacements de taille. Réglez le harnais avec soin afin qu'il soit confortablement ajusté.
- Repérez le mécanisme de libération rapide et entraînez-vous à sa manipulation avant de commencer à utiliser la machine. Son utilisation correcte peut empêcher de graves blessures en cas d'urgence. Ne portez jamais aucun vêtement supplémentaire par dessus le harnais qui serait susceptible de gêner le fonctionnement du mécanisme de libération rapide.
- Pour vous protéger de tout risque d'électrocution, n'opérez pas à moins de 10 m des lignes électriques aériennes.
- N'utilisez jamais le taille-haies sur perche à proximité de clôtures, de poteaux, de bâtiments ou autres objets fixes.
- Les lames sont très coupantes. Lorsque vous manipulez les lames, portez des gants de protection solides et antidérapants. Ne mettez pas votre main ou vos doigts entre les lames ni à tout autre endroit où ils pourraient être pincés ou coupés. Ne touchez jamais la lame et n'effectuez aucune opération d'entretien sur l'appareil sans en avoir préalablement retiré le pack batterie.
- Arrêtez l'appareil et retirez le pack batterie avant de:
 - de régler la position de travail de l'élément de coupe
 - nettoyer ou dégager la cause d'un blocage
 - laisser le produit sans surveillance
 - travailler sur le produit, de le vérifier ou de l'entretenir
- Ne faites pas forcer le taille-haies dans les massifs épais. Les lames pourraient forcer et ralentir. Si les lames ralentissent, réduisez votre vitesse de

progression.

- Ne tentez pas de couper des tiges ou des branchettes d'un diamètre supérieur à 18 mm, ou qui sont visiblement trop grosses pour pénétrer dans la lame. Coupez les grosses branches à l'aide d'une scie à main ou d'un élagueur.
- L'utilisation d'une protection auditive réduit la capacité à entendre les avertissements (cris ou alarmes). L'utilisateur doit redoubler d'attention par rapport aux événements survenant dans la zone de travail.
- N'utilisez pas l'élagueur sur perche avec des lames endommagées ou excessivement usées.
- Soyez toujours attentif à votre environnement et aux dangers potentiels que pourriez ne pas entendre à cause du bruit de la machine.

AVERTISSEMENT

Si la machine est tombée, a subi un choc important ou se met à vibrer de façon anormale, arrêtez-la immédiatement et recherchez les dommages éventuels ou identifiez la cause des vibrations. Toute pièce endommagée doit être correctement remplacée ou réparée par un service après-vente agréé.

AVERTISSEMENT

Vérifiez à intervalles réguliers et avant chaque utilisation que tous les raccords d'arbre de la perche rallonge et de l'outil sont bien serrés.

TRANSPORT ET STOCKAGE

- Arrêtez le produit, retirez la batterie, et laissez-les refroidir avant de les ranger ou de les transporter.
- Débarrassez l'appareil de tous les corps étrangers. Rangez la en un endroit frais, sec et correctement ventilé, hors de portée des enfants. Pour plus de sécurité, rangez la batterie séparément du produit. Ne la rangez pas à proximité d'agents corrosifs tels que produits chimiques de jardinage ou sels de dégel. Ne rangez pas à l'extérieur.
- Recouvrez la lame avec sa protection avant de ranger l'appareil, ou au cours de son transport.
- Pour le transport, attachez le produit pour l'empêcher de bouger ou de tomber, afin d'éviter toute blessure et tout dommage matériel.

ENTRETIEN

AVERTISSEMENT

N'utilisez que des pièces détachées et accessoires d'origine constructeur. Le non respect de cette précaution peut entraîner de mauvaises performances, des blessures, et annuler votre garantie.



⚠ AVERTISSEMENT

Les réparations demandent un soin et des connaissances extrêmes et ne doivent être effectuées que par un réparateur qualifié. Pour toute réparation, nous vous conseillons de retourner votre appareil à votre service après vente agréé le plus proche. N'utilisez que des pièces détachées identiques pour effectuer les réparations.

⚠ AVERTISSEMENT

Les lames sont très affûtées. Pour éviter toute blessure, soyez extrêmement prudent lors des opérations de nettoyage, de lubrification, et lors de la mise en place et du retrait du protège-lame.

- Retirez la batterie avant toute opération d'entretien ou de nettoyage.
- Vous pouvez effectuer les réglages et réparations décrits dans ce manuel. Pour les autres réparations, contactez un service après-vente agréé.
- Après chaque utilisation, utilisez un chiffon propre et sec pour nettoyer le corps et les poignées du produit.
- Après chaque utilisation, retirez les débris des lames à l'aide d'une brosse dure, puis appliquez délicatement un lubrifiant anti-rouille avant de remettre en place le protège-lame. Utilisez l'anti-rouille et lubrifiant en bombe recommandé. Prenez soin d'éviter tout contact avec la lame lorsque vous appliquez une quantité régulièrement répartie du lubrifiant. Pour obtenir des informations sur un aérosol adapté, contactez votre service après-vente agréé local.
- Vous pouvez également légèrement lubrifier les lames avant utilisation, au besoin, à l'aide de la méthode décrite ci-dessus.
- Vérifiez régulièrement le bon serrage des écrous, vis et boulons pour que le produit soit toujours en bon état de fonctionnement. Toute pièce endommagée doit être correctement remplacée ou réparée par un service après-vente agréé.

RISQUES RÉSIDUELS

Même lorsque la machine est utilisée selon les prescriptions, il reste impossible d'éliminer totalement certains facteurs de risque résiduels. Les dangers suivants risquent de se présenter en cours d'utilisation et l'utilisateur doit prêter particulièrement garde à ce qui suit :

- Les lames ne peuvent pas être protégées en cours de coupe. L'entrée en contact avec les lames peut entraîner de graves blessures. Gardez la lame éloignée des autres personnes et de vous-même. Mettez en place le fourreau de protection des lames lorsque vous ne coupez pas.
- Blessures dues aux vibrations. Utilisez toujours un outil adapté au travail à effectuer, servez-vous des poignées appropriées et limitez le temps de travail et d'exposition.
- L'exposition au bruit peut provoquer des pertes d'audition. Portez une protection auditive et limitez le temps d'exposition.

RÉDUCTION DES RISQUES

Il a été reporté que les vibrations engendrées par les outils à main peuvent contribuer à l'apparition d'un état appelé le Syndrome de Raynaud chez certaines personnes. Les symptômes peuvent comprendre des fourmillements, un engourdissement et un blanchiment des doigts, généralement par temps froid. Des facteurs héréditaires, l'exposition au froid et à l'humidité, le régime alimentaire, le tabagisme et les habitudes de travail peuvent contribuer au développement de ces symptômes. Certaines mesures peuvent être prises par l'utilisateur pour aider à réduire les effets des vibrations:

- Gardez votre corps au chaud par temps froid. Lorsque vous utilisez l'appareil, portez des gants afin de garder vos mains et vos poignets au chaud. Le temps froid est considéré comme un facteur contribuant très largement à l'apparition du Syndrome de Raynaud.
- Après chaque session de travail, pratiquez des exercices qui favorisent la circulation sanguine.
- Faites des pauses fréquentes. Limitez la quantité d'exposition journalière.

Si vous ressentez l'un des symptômes associés à ce syndrome, arrêtez immédiatement le travail et consultez votre médecin pour lui en faire part.

⚠ AVERTISSEMENT

L'utilisation prolongée d'un outil est susceptible de provoquer ou d'aggraver des blessures. Assurez-vous de faire des pauses de façon régulière lorsque vous utilisez tout outil de façon prolongée.

APPRENEZ À CONNAÎTRE VOTRE PRODUIT

Voir page 125.

1. Lame
2. Bouton de pivotement
3. Perche rallonge
4. Raccord d'arbre
5. Crochet de harnais
6. Poignée avant
7. Bouton de déverrouillage de la gâchette
8. Gâchette marche/arrêt
9. Défecteur de débris HedgeSweep™
10. Fourreau
11. Harnais
12. Batterie
13. Bouton de verrouillage de la batterie
14. Chargeur

SYMBOLES APPLIQUÉS SUR LE PRODUIT



Avertissement



Lisez et comprenez toutes les instructions avant d'utiliser le produit, respectez tous les avertissements et toutes les instructions de sécurité.



Portez une protection oculaire et auditive ainsi qu'un casque

EN
FR
DE
ES
IT
NL
PT
DA
SV
FI
NO
RU
PL
CS
HU
RO
LV
LT
ET
HR
SL
SK
BG
UK





Portez des chaussures de sécurité antidérapantes lorsque vous utilisez le produit.



Portez des gants de protection solides et antidérapants.



Ne pas exposer à la pluie ou à des conditions humides.



Tirer: Languette de déverrouillage rapide



Lames coupantes. Ne touchez pas les lames afin d'éviter toute blessure grave.



Danger électrique. Restez éloigné d'au moins 10 m des lignes électriques aériennes.



Prenez garde à la projection d'objets au sol et dans les airs. Maintenez les visiteurs, en particulier les enfants et les animaux domestiques, à une distance d'au moins 15 m de la zone de travail.



Les produits électriques hors d'usage ne doivent pas être jetés avec les ordures ménagères. Recyclez-les par l'intermédiaire des structures disponibles. Contactez les autorités locales pour vous renseigner sur les conditions de recyclage.



Cet outil est conforme à l'ensemble des normes réglementaires du pays de l'UE où il a été acheté.



Marque de qualité EurAsian



Marque de conformité ukrainienne



Le niveau de puissance sonore garanti est 95 dB.

Les symboles suivants, et les noms qui leur sont associés, permettent d'expliquer les différents niveaux de risques liés à l'utilisation de cet outil.

DANGER

Situation potentiellement dangereuse qui, si l'on n'y prend garde, peut entraîner la mort ou des blessures graves.

AVERTISSEMENT

Situation potentiellement dangereuse qui, si l'on n'y prend garde, peut entraîner la mort ou des blessures graves.

MISE EN GARDE

Situation potentiellement dangereuse qui, si l'on n'y prend garde, peut entraîner des blessures moyennes ou légères.

MISE EN GARDE

Sans symbole d'alerte de sécurité

Indique une situation pouvant entraîner des dommages matériels.

ICÔNES DE CE MANUEL



Pièces détachées et accessoires vendus séparément



REMARQUE:



Avertissement!

Sicherheit, Leistung und Zuverlässigkeit hatten oberste Priorität bei dem Design Ihrer Akku-Teleskop Heckenschere.

VORGESEHENE VERWENDUNG

Das Produkt ist nur zur Verwendung im Freien von einem einzelnen Benutzer mit sicherem Stand vorgesehen. Aus Sicherheitsgründen muss das Produkt immer ausreichend durch die Benutzung mit beiden Hände kontrolliert werden. Dieses Produkt wurde für den Hausgebrauch entwickelt. Es ist vorgesehen, um Hecken, Büsche und ähnliche Pflanzen zu schneiden. Das Produkt darf maximal bis zu 2,93 m verlängert werden.

Überschreiten Sie diese Arbeitslänge nicht!

Es sollte in trockener, gut beleuchteter Umgebung benutzt werden.

Es ist NICHT vorgesehen, um Gras, Bäume oder Äste zu schneiden. Es sollte für keine andere Aufgabe als das Schneiden von Hecken benutzt werden.

ALLGEMEINE SICHERHEITSWARNUNGEN

⚠️ WARNUNG

Lesen Sie alle Warnungen und Anweisungen! Die Nichtbeachtung der Warnungen und Anweisungen kann zu Stromschlag, Feuer und/oder schweren Verletzungen führen.

Bewahren Sie diese Warnhinweise und Anweisungen für einen späteren Gebrauch gut auf.

Die Bezeichnung "Elektrowerkzeug" in den Warnhinweisen bezieht sich auf Ihr Elektrowerkzeug, das an das Stromnetz angeschlossen wird oder das akkubetriebene (kabellose) Elektrowerkzeug.

ARBEITSUMGEBUNG

- **Der Arbeitsbereich muss sauber und gut ausgeleuchtet sein.** Unordentliche oder dunkle Bereiche fordern Unfälle heraus.
- **Setzen Sie Elektrowerkzeuge nicht in explosiver Umgebung ein, wie z.B. bei Vorhandensein entzündlicher Flüssigkeiten, von Gasen oder Staub.** Elektrowerkzeuge erzeugen Funken, die Staub oder Dämpfe entzünden können.
- **Halten Sie Kinder und Außenstehende bei der Arbeit mit dem Werkzeug fern.** Jede Ablenkung kann dazu führen, dass Sie die Kontrolle verlieren.

SICHERHEITSHINWEISE ZUM ARBEITEN MIT ELEKTRIZITÄT

- **Der Stecker des Elektrowerkzeugs muss in die Steckdose passen. Den Stecker niemals auf irgendeine Weise modifizieren. Verwenden Sie mit geerdeten Elektrowerkzeugen niemals Adapterstecker.** Nicht-modifizierte Stecker und passende Steckdosen reduzieren das Risiko von Stromschlägen.
- **Vermeiden Sie Körperkontakt mit geerdeten Oberflächen, wie Rohren, Heizkörpern,**

Küchenherden und Kühlschränken. Es besteht ein erhöhtes Stromschlagrisiko wenn Ihr Körper geerdet ist.

- **Setzen Sie dieses Produkt nicht Regen oder feuchten Bedingungen aus.** Ein Eindringen von Wasser in ein Elektrowerkzeug erhöht die Gefahr eines Stromschlags.
- **Zweckentfremden Sie das Kabel nicht, um das Elektrowerkzeug zu tragen, aufzuhängen oder den Stecker aus der Steckdose zu ziehen. Halten Sie das Kabel von Hitze, Öl, scharfen Kanten oder beweglichen Teilen fern.** Beschädigte oder verwickelte Kabel erhöhen die Stromschlaggefahr.
- **Verwenden Sie bei der Arbeit mit Elektrowerkzeugen im Freien nur Verlängerungskabel, die auch zum Gebrauch im Freien geeignet sind.** Die Verwendung eines Kabels, das zum Gebrauch im Freien geeignet ist, verringert die Stromschlaggefahr.
- **Falls der Einsatz eines Elektrowerkzeugs an einem feuchten Ort unvermeidbar sein sollte, verwenden Sie einen Fehlerstromschutzschalter.** Der Einsatz einer Fehlerstromschutzschaltung verringert die Stromschlaggefahr.

PERSÖNLICHE SICHERHEIT

- **Blieben Sie wachsam, achten Sie auf das, was Sie tun und benutzen Sie bei der Arbeit mit Werkzeugen Ihren gesunden Menschenverstand. Verwenden Sie das Werkzeug nicht bei Müdigkeit oder unter dem Einfluss von Drogen, Alkohol oder Medikamenten.** Ein kurzer Moment der Unachtsamkeit bei der Arbeit mit einem Werkzeug kann zu schweren Verletzungen führen.
- **Verwenden Sie Schutzausrüstung. Tragen Sie immer einen Augenschutz.** Schutzausrüstung wie Staubmasken, rutschfeste Schuhe, Schutzhelm oder Gehörschutz, die unter entsprechenden Bedingungen verwendet werden, reduzieren die Verletzungsgefahr.
- **Vermeiden Sie ein unbeabsichtigtes Einschalten. Vergewissern Sie sich, dass der Schalter des Werkzeugs sich vor dem Anschluss an das Stromnetz und/oder dem Akku, beim Aufheben oder Tragen, in der OFF (AUS) Position befindet.** Wenn Sie beim Tragen des Elektrowerkzeugs den Finger am Schalter haben oder das Gerät eingeschaltet an die Stromversorgung anschließen, kann dies zu Unfällen führen.
- **Entfernen Sie Einstellschlüssel bevor Sie das Werkzeug einschalten.** Ein auf einem sich drehenden Teil des Werkzeugs verbleibender Schlüssel kann zu Verletzungen führen.
- **Vermeiden Sie eine abnormale Körperhaltung. Sorgen Sie jederzeit für einen festen Stand und ein gutes Gleichgewicht.** Dies sorgt für eine bessere Kontrolle über das Werkzeug in unerwarteten Situationen.
- **Kleiden Sie sich den Umständen entsprechend! Tragen Sie keine locker sitzende Kleidung oder Schmuck. Halten Sie Haare, Kleidung und Handschuhe von beweglichen Teilen fern.** Locker sitzende Kleidung, Schmuck oder lange Haare können

sich in beweglichen Teilen verfangen.

- Falls Zubehörteile zum Absaugen von Staub oder als Sammelvorrichtungen geliefert werden, vergewissern Sie sich, dass diese angeschlossen sind und ordnungsgemäß funktionieren. Der Einsatz von Staubsammelvorrichtungen kann staubbedingte Gefahren reduzieren.

BENUTZUNG UND PFLEGE DES ELEKTROWERKZEUGS

- Überlasten Sie das Werkzeug nicht ! Verwenden Sie das geeignete Werkzeug für Ihre Arbeit. Das geeignete Werkzeug erledigt die Arbeit besser und sicherer mit der Geschwindigkeit für die es ausgelegt wurde.
- Verwenden Sie das Elektrowerkzeug nicht, wenn der Schalter defekt ist. Ein Elektrowerkzeug, das sich durch den Schalter nicht steuern lässt, ist gefährlich und muss repariert werden.
- Ziehen Sie den Netzstecker aus der Steckdose und/oder nehmen den Akku aus dem Elektrowerkzeug, bevor Sie irgendwelchen Einstellungen vornehmen, Zubehör wechseln oder Elektrowerkzeuge lagern. Diese vorbeugenden Maßnahmen reduzieren das Risiko eines unbeabsichtigten Startens des Elektrowerkzeugs.
- Bewahren Sie Werkzeuge, die nicht benutzt werden, außerhalb Reichweite von Kindern auf und erlauben Sie Personen, die mit dem Werkzeug oder dieser Anleitung nicht vertraut sind, nicht den Umgang mit dem Werkzeug. Werkzeuge in den Händen unbedarfter Anwender sind eine Gefahr!
- Pflegen Sie Werkzeuge. Kontrollieren Sie, ob bewegliche Teile einwandfrei funktionieren und nicht klemmen, ob Teile gebrochen oder beschädigt sind, so dass die Funktion des Elektrowerkzeugs beeinträchtigt ist. Lassen Sie das Werkzeug bei Beschädigung vor dem Gebrauch reparieren. Viele Unfälle werden durch schlecht gepflegte Werkzeuge verursacht.
- Halten Sie Schneidwerkzeuge scharf und sauber. Ordnungsgemäß gepflegte Schneidwerkzeuge mit scharfen Schnittklingen blockieren nicht so leicht und lassen sich einfacher unter Kontrolle halten.
- Benutzen Sie das Elektrowerkzeug, Zubehör und Werkzeugeinsätze usw. gemäß diesen Anweisungen und ziehen Sie die Arbeitsbedingungen und die auszuführende Arbeit in Betracht. Der Einsatz des Elektrowerkzeugs für Arbeiten, für die es nicht vorgesehen ist, kann zu gefährlichen Situationen führen.

BENUTZUNG UND BEHANDLUNG VON AKKUGERÄTEN

- Laden Sie den Akku nur mit dem durch den Hersteller vorgesehenen Ladegerät auf. Ein Ladegerät, das für eine Art von Akkus geeignet ist, kann eine Feuergefahr darstellen, wenn es für eine andere Akkuart verwendet wird.
- Verwenden Sie Elektrowerkzeuge nur mit den dafür vorgesehenen Akkus. Die Verwendung anderer

Batterien oder Akkus kann zu Verletzungen und Feuer führen.

- Halten Sie Akkus, die nicht benutzt werden, von anderen Metallobjekten wie Büroklammern, Münzen, Schlüsseln, Nägeln, Schrauben oder anderen kleinen Metallobjekten, die eine Verbindung zwischen den Polen herstellen könnten, fern. Ein Kurzschließen der Akkupole kann Verbrennungen oder ein Feuer verursachen.
- Bei falscher Anwendung kann Flüssigkeit aus dem Akku austreten. - vermeiden Sie den Kontakt mit dieser Flüssigkeit! Falls es versehentlich zu einem Kontakt kommen sollte, spülen Sie die Flüssigkeit mit Wasser ab. Suchen Sie außerdem medizinische Hilfe auf, falls die Flüssigkeit in die Augen gerät. Aus dem Akku ausgetretene Flüssigkeit kann zu Irritationen oder Verätzungen führen.

SERVICE – REPARATUR

- Lassen Sie Ihr Werkzeug nur durch qualifizierte Fachleute unter ausschließlicher Verwendung von Original Ersatzteilen warten. Dadurch wird sichergestellt, dass das Werkzeug in einem sicheren Betriebszustand gehalten wird.

SICHERHEITSHINWEISE FÜR TELESKOP HECKENSCHEREN

- Halten Sie alle Körperteile von den Schneidwerkzeugen fern. Ein kurzer Moment der Unachtsamkeit bei der Verwendung des Produktes kann zu schweren Verletzungen führen.
- Tragen Sie die Teleskop Heckenschere stets an den Griffen und mit gestoppten Schneidwerkzeug. Setzen Sie bei Transport oder Lagerung der Teleskop Heckenschere immer die Schneidwerkabdeckung auf. Die richtige Handhabung der Teleskop Heckenschere verringert die möglichen Verletzungen durch die Schnittmesser.
- Halten Sie das Werkzeug nur an den isolierten Griffflächen fest, weil das Schneidwerkzeug in Kontakt mit versteckten Drähten geraten könnte. Wenn das Schneidwerkzeug ein stromführendes Kabel berührt, können Metallteile des Elektrowerkzeugs unter Strom stehen und den Bediener einem Stromschlag aussetzen.

ZUSÄTZLICHE SICHERHEITSWARNUNGEN

- Reinigen Sie vor jeder Benutzung den Arbeitsbereich. Entfernen Sie alle Gegenstände wie Kabel, Lampen, Draht oder Schnur, die geschleudert werden könnten oder in der Schneidvorrichtung verwickelt werden könnten.
- Achten Sie auf geschleuderte Gegenstände, halten Sie alle Zuschauer, Kinder und Haustiere mindestens 15 m von dem Arbeitsbereich fern.
- Überprüfen Sie ständig, ob sich Personen oder Tiere hinter oder in einer Hecke oder einem Busch befinden, die Sie schneiden wollen.
- Nicht bei schlechter Beleuchtung verwenden. Der Benutzer braucht einen unbehinderten Blick auf den



EN
FR
DE
ES
IT
NL
PT
DA
SV
FI
NO
RU
PL
CS
HU
RO
LV
LT
ET
HR
SL
SK
BG
UK

Arbeitsbereich, um mögliche Gefahren zu erkennen.

- Untersuchen Sie die Maschine vor der Benutzung. Überprüfen Sie auf lockere Verschlüsse, stellen Sie sicher, dass alle Schutzabdeckungen und Griffe ordnungsgemäß und sicher befestigt sind. Ersetzen Sie vor der Benutzung jegliche beschädigten Teile.
- Verändern Sie die Maschine auf keine Weise.
- Erlauben Sie Kindern oder ungeschulten Personen nicht den Gebrauch des Produktes.
- Tragen Sie bei Einsatz dieses Geräts vollen Augen- und Gehörschutz. Bei Arbeiten in Bereichen, wo die Gefahr herabfallender Objekte besteht, muss Kopfschutz getragen werden.
- Tragen Sie lange, dicke Hosen, Stiefel und Handschuhe. Tragen Sie keine locker sitzende Kleidung, kurze Hosen und keinen Schmuck. Gehen Sie nicht barfuß.
- Binden Sie lange Haare zurück, so dass diese sich über Schulterhöhe befinden, um zu verhindern, dass sie sich in beweglichen Teilen verfangen.
- Arbeiten Sie mit diesem Gerät nicht, wenn Sie müde oder krank sind, oder unter dem Einfluss von Alkohol, Drogen oder Medikamenten stehen.
- Halten Sie immer das Gleichgewicht. Nehmen Sie keine abnormale Körperhaltung ein. Dies kann zu einem Verlust des Gleichgewichts führen und schwere Verletzungen verursachen.
- Vergewissern Sie sich vor dem Starten der Maschine, dass die Schneidwerkzeuge mit nichts in Kontakt geraten können.
- Stellen Sie sicher, dass die Maschine richtig an der vorgesehenen Arbeitsposition steht, bevor Sie die Maschine starten.
- Halten Sie die Teleskop Heckenschere bei der Benutzung immer fest mit beiden Händen an den beiden Griffen und sorgen Sie für einen sicheren Stand. Der Hersteller empfiehlt keine Benutzung von Trittleitern oder Leitern während der Nutzung.
- Benutzen Sie das Tragegeschirr, sofern es mitgeliefert wird mit Ihrer Teleskop Heckenschere. Es wird Ihnen helfen, das Gewicht der Maschine während der Nutzung und beim Bewegen während des Schneidens abzufangen. Stellen Sie das Tragegeschirr sorgfältig ein, damit es bequem sitzt.
- Lernen Sie, wie der Schnellverschluss funktioniert und üben Sie die Benutzung, bevor Sie die Maschine benutzen. Die richtige Benutzung des Schnellverschlusses kann im Notfall schwere Verletzungen verhindern. Tragen Sie niemals zusätzliche Kleidung über dem Schultergurt oder behindern Sie den Zugriff zu dem Schnellverschluss anderweitig.
- Arbeiten Sie zum Schutz vor Stromschlag nicht innerhalb 10m von Freileitungen!
- Benutzen Sie die Teleskop Heckenschere niemals in der Nähe von Zäunen, Pfählen, Gebäuden oder anderen starren Objekten.
- Klingen sind scharf! Tragen Sie beim Umgang mit dem Schneidwerkzeug rutschfeste und strapazierfähige Schutzhandschuhe. Bringen Sie Ihre Hand oder Finger

nicht zwischen die Klingen oder in eine Position, in der Sie gequetscht oder geschnitten werden könnten. Greifen Sie niemals in das Schneidwerkzeug oder warten Sie das Gerät, bevor Sie den Akku ordnungsgemäß entfernt haben.

- Schalten Sie das Gerät aus und entfernen Sie den Akku, bevor Sie:
 - die Arbeitsposition des Schneidwerks ein stellen
 - das Gerät reinigen oder eine Blockierung entfernen
 - das Produkt unbeaufsichtigt lassen
 - die Maschine prüfen, warten oder an dem Produkt arbeiten
- Führen Sie die Heckenschere nicht mit Gewalt durch dichtes Strauchwerk. Dies kann dazu führen, dass die Klingen blockieren und dadurch langsamer werden. Sollten die Klingen langsamer werden, verringern Sie die Arbeitsgeschwindigkeit.
- Versuchen Sie nicht, Stämme oder Zweige mit einem Durchmesser von mehr als 18 mm zu schneiden, oder Stämme oder Zweige zu schneiden, die offensichtlich zu groß sind um zwischen die Schneidblätter zu passen. Verwenden Sie eine Hand- oder Astsäge ohne Motor, um größere Äste und Stämme zu schneiden.
- Das Tragen von Gehörschutz verringert Ihre Fähigkeit Warnungen zu hören (Warnungen oder Zurufe). Der Benutzer muss dem, was im Arbeitsbereich vor sich geht ganz besondere Beachtung schenken.
- Benutzen Sie die Teleskop Heckenschere nicht mit beschädigten oder übermäßig abgenutzten Klingen.
- Beachten Sie jederzeit Ihre Umgebung und achten Sie auf mögliche Gefahren, die Sie eventuell aufgrund des Lärms der Maschine nicht hören können.

⚠ WARNUNG

Wenn die Maschinen fallen gelassen wurde oder einen schweren Schlag erlitt oder ungewöhnlich vibriert, stoppen sie die Maschine sofort und überprüfen sie auf Schäden oder identifizieren Sie die Ursache der Vibration. Jeder Schaden sollte durch den autorisierten Kundendienst ordnungsgemäß repariert oder ausgetauscht werden.

⚠ WARNUNG

Überprüfen Sie vor jeder Benutzung und in regelmäßigen Intervallen, dass die Schaffverbindungen der Teleskopstange und das Werkzeug sicher befestigt sind.

TRANSPORT UND LAGERUNG

- Stoppen Sie das Produkt, entfernen Sie den Akku und lassen es abkühlen, bevor Sie sie es lagern oder transportieren.
- Entfernen Sie alle Fremdkörper vom Produkt. Lagern Sie das Gerät an einem trockenen und gut belüfteten Ort, der Kindern keinen Zugang bietet. Lagern Sie den Akku für zusätzliche Sicherheit getrennt von dem Produkt. Halten Sie die Heckenschere von korrodierend



wirkenden Stoffen, wie Gartenchemikalien und Enteisungssalzen, fern. Nicht im Freien lagern.

- Decken Sie die Klinge mit dem Klingenschutz ab, bevor Sie das Gerät transportieren lagern oder.
- Sichern Sie das Produkt beim Transport gegen Bewegung oder Herabfallen, um Verletzungen und Beschädigung des Produktes zu verhindern.

WARTUNG UND PFLEGE

⚠ WARNUNG

Verwenden Sie ausschließlich Original Ersatzteile, Zubehör und Aufsätze des Herstellers. Nichtbefolgung kann mögliche Verletzungen oder schlechte Leistung verursachen und Ihre Garantie ungültig machen.

⚠ WARNUNG

Service und Wartung des Gerätes erfordert besonderen Schutz und Kenntnisstand und sollte nur durch qualifiziertes Personal durchgeführt werden. Wir empfehlen zu diesem Zweck das Produkt umgehend an ein Autorisiertes Service Center zur Reparatur zu senden. Beim Service sollten Sie nur Original Ersatzteile benutzen.

⚠ WARNUNG

Die Klingen sind scharf. Seien Sie bei der Reinigung, dem Ölen und Anbringen oder Entfernen des Klingenschutzes extrem vorsichtig, um Verletzungen zu vermeiden.

- Entfernen Sie vor Einstellungen, Wartung oder Reinigung den Akku.
- Sie dürfen die in dieser Bedienungsanleitung beschriebenen Einstellungen und Reparaturen durchführen. Kontaktieren Sie Ihren autorisierten Kundendienst für andere Reparaturen.
- Reinigen Sie das Gehäuse und die Griffe nach jeder Benutzung des Produktes mit einem weichen, trockenen Lappen.
- Reinigen Sie nach jeder Benutzung den Messerbalken von Schmutz mit einer harten Bürste und tragen dann vorsichtig Öl als Rostschutz auf, bevor Sie den Klingenschutz wieder anbringen. Verwenden sie das empfohlene Rostschutz- und Schmier Spray. Achten Sie darauf die Klinge nicht zu berühren während Sie den Schmierstoff gleichmäßig auftragen. Fragen Sie Ihren autorisierten Kundendienst nach einem geeignete Spray-Produkt.
- Wenn Sie möchten, können Sie die Klingen vor jeder Benutzung auf die oben genannte Weise leicht einölen.
- Stellen Sie den Festsitz aller Muttern, Bolzen und Schrauben sicher, damit ein sicherer Arbeitszustand des Gerätes gewährleistet ist. Jedes beschädigte Teil sollte durch den autorisierten Kundendienst ordnungsgemäß repariert oder ausgetauscht werden.

RESTRISIKEN:

Sogar wenn die Maschine wie vorgeschrieben benutzt wird, ist es unmöglich ein gewisses Restrisiko vollständig zu beseitigen. Die folgenden Gefahren können bei der Benutzung entstehen, und der Benutzer sollte besonders auf folgende Punkte achten:

- Die Klingen können beim Schneiden nicht geschützt werden. Kontakt mit den Messern kann schwere Verletzungen verursachen. Halten Sie die Klinge fern von sich und anderen. Benutzen Sie den Klingenschutz, wenn Sie nicht schneiden.
- Durch Vibrationen verursachte Verletzungen. Benutzen Sie immer das richtige Werkzeug für die Aufgabe, benutzen Sie die vorgesehenen Griffe und schränken die Arbeitszeit und Exposition ein.
- Lärm kann zu Gehörschäden führen. Tragen Sie einen Augenschutz und schränken Sie die Belastung ein.

RISIKOVERRINGERUNG

Vibrationen von in der Hand gehaltenen Werkzeugen können bei einigen Personen zu einem Zustand, der Raynaud-Syndrom genannt wird, führen. Symptome sind u.a. Kribbeln, Taubheitsgefühl und episodische Weißfärbung der Finger und treten normalerweise bei Kälte auf. Man geht davon aus, dass ererbte Faktoren, Kälte und Feuchtigkeit, Essgewohnheiten, Rauchen und Arbeitsweise zur Entwicklung dieser Symptome beitragen. Der Anwender kann Maßnahmen ergreifen, um die Auswirkungen der Vibrationen möglicherweise zu verringern:

- Halten Sie den Körper bei Kälte warm. Tragen Sie beim Betrieb des Geräts Handschuhe, um Hände und Handgelenke warm zu halten. Berichten zu Folge ist kaltes Wetter ein wesentlicher Faktor, der zum Raynaud Syndrom beiträgt.
- Betätigen Sie sich nach jedem Einsatz körperlich, um den Blutkreislauf zu steigern.
- Machen Sie regelmäßig Pausen. Beschränken Sie die Beanspruchung pro Tag.

Sollten bei Ihnen Symptome dieses Zustands auftreten, stellen Sie unverzüglich den Betrieb ein und suchen Sie in Hinsicht auf die Symptome einen Arzt auf.

⚠ WARNUNG

Verletzungen können durch lange Benutzung eines Werkzeugs entstehen oder verschlimmert werden. Machen Sie regelmäßig Pause, wenn Sie ein Werkzeug für lange Zeit benutzen.

MACHEN SIE SICH MIT IHREM PRODUKT VERTRAUT

Siehe Seite 125.

1. Schneidblatt
2. Schwenkknopf
3. Teleskopstange
4. Schaftverbindung
5. Tragegeschirrhänger

6. Vorderer Griff
7. Drückerfreigabe
8. Ein-/Ausschalter
9. HedgeSweep™ Schnittgut-Kehrer
10. Schutzabdeckung
11. Tragegurt
12. Akku
13. Knopf der Akkulasche
14. Ladegerät



Ukrainisches Prüfzeichen



Der garantierte Schalleistungspegel beträgt 95 dB.

- EN
- FR
- DE
- ES
- IT
- NL
- PT
- DA
- SV
- FI
- NO
- RU
- PL
- CS
- HU
- RO
- LV
- LT
- ET
- HR
- SL
- SK
- BG
- UK

SYMBOLS AUF DEM PRODUKT



Sicherheitswarnung



Lesen und verstehen Sie alle Anweisungen, bevor Sie das Produkt benutzen, befolgen Sie alle Warnungen und Sicherheitsanweisungen.



Tragen Sie Augen-, Gehör-, und Kopfschutz.



Tragen Sie rutschfeste Sicherheitsschuhe, wenn Sie dieses Produkt benutzen.



Tragen Sie rutschfeste, strapazierfähige Handschuhe.



Nicht Regen oder feuchten Bedingungen aussetzen.



Ziehen: Schnellverschluss



Scharfe Schnittklingen. Berühren Sie zur Vermeidung von Verletzungen nicht die Schnittklingen.



Elektrische Gefährdung. Halten Sie sich mindestens 10 m von Freileitungen fern.



Achten Sie auf geschleuderte oder fliegende Objekte. Alle Umstehende müssen einen Abstand von mindestens 15 m einhalten.



Elektrische Geräte sollten nicht mit dem übrigen Müll entsorgt werden. Bitte entsorgen Sie diese an den entsprechenden Entsorgungsstellen. Wenden Sie sich an die örtliche Behörde oder Ihren Händler, um Auskunft über die Entsorgung zu erhalten.



Dieses Gerät entspricht allen gesetzlichen Normen des Landes der europäischen Union, in dem es gekauft wurde.



EurAsian Konformitätszeichen

SYMBOL IN DIESER BEDIENUNGSANLEITUNG



Teile oder Zubehör getrennt erhältlich



HINWEIS



Warnung!

Mit den folgenden Symbolen wird die Bedeutung der verschiedenen Risikostufen, die mit dem Produkt einhergehen, dargestellt.

⚠️ GEFAHR

Weist auf eine unmittelbare gefährliche Situation hin, die bei Missachtung zu Tod oder ernsthafter Verletzung führen kann.

⚠️ WARNUNG

Weist auf eine mögliche gefährliche Situation hin, die bei Missachtung zu Tod oder ernsthafter Verletzung führen kann.

⚠️ VORSICHT

Weist auf eine mögliche gefährliche Situation hin, die bei Missachtung zu einer leichten oder mittleren Verletzung führen kann.

VORSICHT

Ohne Sicherheitswarnsymbol

Bezeichnet eine Situation die zu Sachbeschädigungen führen kann.

Seguridad, desempeño y fiabilidad son las prioridades en el diseño de su cortasetos de altura inalámbrico.

USO PREVISTO

El aparato solo está diseñado que lo utilice en el exterior un único operador que se encuentre en una posición estable en tierra firme. Por razones de seguridad, la herramienta debe controlarse de forma adecuada utilizando las dos manos en todo momento.

Este producto está diseñado para uso personal o doméstico. Está diseñada para cortar y recortar setos, arbustos y vegetación similar. El aparato está diseñado para extenderse hasta un máximo de 2,93 m.

No supere esta longitud de trabajo.

Debe utilizarse en un lugar seco y bien iluminado.

NO está diseñada para cortar el césped, árboles o ramas. No debe utilizarse para un propósito diferente a cortar setos.

ALERTA DE SEGURIDAD GENERAL

⚠ ADVERTENCIA

Lea todas las advertencias de peligro e instrucciones. El incumplimiento de las advertencias e instrucciones puede provocar descargas eléctricas, incendios y/o lesiones graves.

Conserve estas advertencias e instrucciones para poder consultarlas posteriormente.

El término "herramienta eléctrica" que aparece en las advertencias se refiere a su herramienta eléctrica (con cable) o con batería (sin cables).

ZONA DE TRABAJO

- **Mantenga el área de trabajo limpia y bien iluminada.** Las zonas oscuras o poco despejadas pueden provocar accidentes.
- **No utilice herramientas eléctricas en entornos inflamables, como puede ser en presencia de líquidos inflamables, gases o polvo.** Las herramientas eléctricas crean chispas que pueden inflamar el polvo o el humo.
- **Mantenga a los niños y personas ajenas alejadas de la zona en la que está utilizando la herramienta eléctrica.** Las distracciones pueden hacer que pierda el control de la herramienta.

SEGURIDAD ELÉCTRICA

- **Las conexiones de la herramienta eléctrica deben corresponder a los de la toma de corriente. No modifique el enchufe de ninguna manera. No utilice ningún adaptador con herramientas eléctricas conectadas a tierra.** Utilizar enchufes sin modificar y tomas correspondientes reducirán el riesgo de descargas eléctricas.
- **Evite el contacto corporal con superficies conectadas a tierra, como tuberías, radiadores, estufas y refrigeradores.** Existe un mayor riesgo de descargas eléctricas si su cuerpo está conectado a

tierra.

- **No exponga este producto a la lluvia o humedad.** Si entra agua en una herramienta eléctrica podría aumentar el riesgo de descargas eléctricas.
- **Utilice correctamente el cable. No utilice el cable para llevar, tirar o desconectar el cable de la herramienta. Mantenga el cable lejos del calor, aceite, bordes afilados o partes móviles.** Los cables dañados o enredados aumentan el riesgo de descargas eléctricas.
- **A la hora de utilizar herramientas eléctricas al aire libre, utilice un alargador adecuado para uso en exteriores.** El uso de un cable adecuado para uso en exteriores reduce el riesgo de descargas eléctricas.
- **Si es inevitable utilizar una herramienta eléctrica en un lugar húmedo, utilice un dispositivo de corriente residual (RCD) como protección.** El uso de un RCD reduce el riesgo de descargas eléctricas.

SEGURIDAD PERSONAL

- **Manténgase alerta y atento a lo que está haciendo y utilice el sentido común al utilizar una herramienta eléctrica. No utilice una herramienta eléctrica cuando esté cansado o bajo la influencia de drogas, alcohol o medicamentos.** En un momento de descuido, mientras utiliza herramientas eléctricas podrían ocurrir lesiones personales graves.
- **Utilice un equipo de protección personal. Utilice siempre dispositivos de protección ocular.** El equipo de protección como las máscaras de polvo, calzado antideslizante de seguridad, cascos rígidos o unas condiciones adecuadas reducirán los daños corporales.
- **Evite la puesta en marcha accidental de la herramienta. Asegúrese de que el interruptor está en posición OFF antes de conectar la herramienta a una toma de corriente y/o batería, y levantar o transportar la herramienta.** El transporte de herramientas con el dedo sobre el interruptor o la conexión de herramientas eléctricas con el interruptor en ON puede causar accidentes.
- **Extraiga cualquier llave de ajuste antes de encender la herramienta eléctrica.** Una llave que se encuentra conectada a una pieza de rotación puede resultar en lesiones personales.
- **No se extienda demasiado. Afírmese bien en sus piernas y no extienda demasiado el brazo.** Esto permite un mejor control de la herramienta eléctrica en situaciones inesperadas.
- **Lleve ropa adecuada. No use ropa holgada o joyas. Mantenga su cabello, ropa y guantes lejos de las piezas móviles.** La ropa suelta, joyas o el cabello largo pueden quedar atrapados en las piezas móviles.
- **Si existen dispositivos para la conexión de accesorios de recogida y extracción de polvo, asegúrese de que están conectados y que se utilizan adecuadamente.** El uso de accesorios de recogida de polvo puede reducir riesgos relacionados con el polvo.



EN
FR
DE
ES
IT
NL
PT
DA
SV
FI
NO
RU
PL
CS
HU
RO
LV
LT
ET
HR
SL
SK
BG
UK

USO Y CUIDADO DE LA HERRAMIENTA ELÉCTRICA

- **No fuerce el producto. Utilice la herramienta correcta para su aplicación.** La herramienta correcta hará un trabajo más seguro y mejor para el que ha sido diseñada.
- **No utilice la herramienta eléctrica si el interruptor de encendido no responde.** Cualquier herramienta que no puede ser controlada con el interruptor de encendido es peligrosa y debe ser reparada.
- **Desconecte el enchufe de la fuente de alimentación y/o extraiga la batería de la herramienta eléctrica antes de hacer cualquier ajuste, cambiar accesorios o almacenar herramientas eléctricas.** Estas medidas preventivas de seguridad reducen el riesgo de arranque accidental de la herramienta.
- **Coloque las herramientas eléctricas a ralentí fuera del alcance de los niños y no permita que personas no familiarizadas con la herramienta o con estas instrucciones la utilicen.** Las herramientas eléctricas son peligrosas en manos de personas no capacitadas.
- **Realice labores de mantenimiento de las herramientas eléctricas.** Compruebe la alineación o unión de las piezas móviles, si existe rotura de piezas o cualquier otro problema que pueda afectar al funcionamiento de la herramienta. Si alguna pieza está dañada, la herramienta eléctrica debería repararse antes de volver a utilizarla. Muchos accidentes son causados por un mantenimiento deficiente.
- **Mantenga las herramientas de corte bien afiladas y limpias.** Las herramientas de corte con bordes de corte afilados que tienen un mantenimiento adecuado reducen su deterioro y son más fáciles de controlar.
- **Utilice la herramienta, accesorios, partes eléctricas, etc., de acuerdo con estas instrucciones, teniendo en cuenta las condiciones de trabajo y el trabajo que se va a realizar.** Utilizar la herramienta eléctrica para realizar trabajos diferentes a los que esta herramienta está destinada podría dar como resultado una situación peligrosa.

USO Y CUIDADO DE LA HERRAMIENTA

- **Recargue la unidad solamente con el cargador especificado por el fabricante.** Podría haber un riesgo de incendio cuando se utilice un cargador con una batería para la que no está diseñado.
- **Utilice sólo herramientas eléctricas específicamente diseñadas para ellos.** Utilizar cualquier otro tipo de baterías puede causar lesiones o un riesgo de incendio.
- **Cuando la batería no está en uso, manténgala alejada de otros objetos metálicos como clips, monedas, llaves, clavos, tornillos u otros objetos metálicos pequeños que puedan crear una conexión desde una terminal a otra.** Causar un cortocircuito en los terminales de la batería puede causar quemaduras o un incendio.
- **En condiciones abusivas, podría salir expulsado líquido de la batería, por lo que debería evitar el contacto con éste.** Si se produce un contacto accidental, enjuáguese las manos con agua. Si el líquido entra en contacto con los ojos, acuda

inmediatamente al médico. Si el líquido es expulsado de la batería y entra en contacto con él, podría causar irritación o quemaduras.

MANTENIMIENTO

- **Su herramienta eléctrica debería ser reparada por personas cualificadas, que deberían utilizar únicamente piezas de repuesto idénticas.** Esto garantizará la seguridad a la hora de utilizar la herramienta eléctrica.

ADVERTENCIAS DE SEGURIDAD DEL CORTASETOS TELESCÓPICO

- **Mantenga todas las partes del cuerpo alejadas de la cuchilla.** En un momento de descuido, mientras utiliza el producto podrían ocurrir lesiones personales graves.
- **Lleve el cortasetos telescópico por el mango con la cuchilla parada.** Cuando transporte o guarde el cortasetos telescópico ajuste siempre la cubierta del dispositivo de corte. El manejo adecuado del cortasetos telescópico se reducirá posibles daños de las cuchillas de corte.
- **Sujete la herramienta solo por el mango aislado, ya que la cuchilla de corte puede estar en contacto con cables ocultos.** Las cuchillas en contacto con un cable con corriente pueden dejar expuestas las partes metálicas de la herramienta conectada, lo que podría provocar una descarga eléctrica al operario.

AVISOS DE SEGURIDAD ADICIONALES

- Limpie el área de trabajo antes de cada uso. Retire todos los objetos, cables, luces, alambres o cadenas que puedan lanzar o engancharse en las partes cortantes.
- Tenga cuidado con los objetos que salen despedidos; mantenga a todos los transeúntes, niños y animales alejados al menos 15 m de la zona de trabajo.
- Compruebe constantemente que no haya personas o animales detrás o dentro de cada seto o arbusto que vaya a podar.
- No trabaje con esta herramienta en una zona mal iluminada. El operador debe tener una visión clara de la zona de trabajo para identificar peligros potenciales.
- Inspeccione la máquina antes de cada uso. Compruebe que no haya piezas de sujeción sueltas, asegúrese de que todas las protecciones y mangos están bien sujetos. Sustituya cualquier pieza dañificada antes de su utilización.
- No realice ningún tipo de modificación a la máquina.
- No permita que niños o individuos sin experiencia utilicen este producto.
- Use gafas de protección total para los ojos y oídos al utilizar este producto. Si trabaja en un área donde existe un riesgo de caída de objetos, deberá utilizar casco.
- Use guantes, botas y pantalones resistentes. No utilice ropa ancha, pantalones cortos, joyas ni lo utilice con los pies descalzos.
- Recoja el cabello largo para que quede por encima del





nivel de los hombros y evitar así que se enmarañe en cualquier pieza móvil.

- No utilice este aparato si está cansado o si se encuentra bajo la influencia de drogas, alcohol o medicamentos.
- Mantenga su pisada firme y su equilibrio. No se extienda demasiado. Un sobreesfuerzo puede dar lugar a la pérdida del equilibrio y a lesiones graves.
- Antes de arrancar la máquina, asegúrese de que las hojas de corte no entran en contacto con ningún objeto.
- Asegúrese de que la máquina se encuentra correctamente situada en la posición de trabajo recomendada antes de arrancarla.
- Cuando manipule un cortasetos telescópico, sujételo firmemente con ambas manos mediante los dos asas y asegúrese de que la posición de funcionamiento sea segura. El fabricante no recomienda el uso de escalones o escaleras.
- Utilice el arnés, si viene incluido en el cortasetos telescópico. Le ayudará a soportar el peso del aparato mientras lo usa y mientras cambia de una posición a otra. Ajuste con cuidado el arnés para ajustarlo de manera que se sienta cómodo.
- Identifique el mecanismo de liberación rápida y practique utilizándolo antes de empezar a usar la máquina. Su uso correcto puede evitar lesiones graves en caso de emergencia. No use ropa adicional sobre el arnés, ya que podría eliminar el acceso al mecanismo de liberación rápida.
- Para evitar electrocutarse, no utilice el aparato a menos de 10 m de las líneas de alto voltaje por encima de la cabeza.
- Nunca utilice el cortasetos telescópico cerca de vallas, postes, edificios u otros objetos fijos.
- Las cuchillas son afiladas. Al utilizar el conjunto de cuchillas, utilice guantes de protección resistentes y antideslizantes. No coloque la mano o los dedos entre las cuchillas o en cualquier posición en la que pueda cortarse o pincharse. No toque la cuchilla ni realice operaciones de servicio a la unidad a menos que haya retirado la batería.
- Apague y retire la batería antes de:
 - ajuste de la posición de trabajo del dispositivo de corte
 - limpieza y desobstrucción de bloqueo
 - dejar el producto desatendido
 - inspeccionar, mantener o trabajar con el producto.
- No fuerce el cortasetos al cortar zonas de arbustos duros. Esto puede hacer que las cuchillas se doblen y se ralenticen. Si las cuchillas se ralenticen, reduzca el ritmo de corte.
- No intente cortar tallos o ramas de más de 18 mm de grosor, o los que, obviamente, sean demasiado grandes para la cuchilla de corte. Utilice una sierra de mano no motorizada o una sierra escamondadora para podar tallos largos.
- El uso de dispositivos de protección auditiva reducirá su capacidad para oír posibles advertencias (gritos o alarmas). El operador debe prestar atención extra a lo que está sucediendo en el área de trabajo.

- No opere el cortasetos telescópico con cuchillas dañadas o excesivamente gastadas.
- Sea siempre consciente de sus alrededores y preste atención ante los posibles peligros que puede no oír debido al ruido de la máquina.

⚠ ADVERTENCIA

Si el equipo se cae, sufre fuertes impactos o comienza a vibrar de manera anormal, detenga inmediatamente la máquina e inspeccione la máquina en busca de daños o para identificar la causa de la vibración. La reparación de daños y la sustitución de piezas deben ser realizadas por un centro de servicio autorizado.

⚠ ADVERTENCIA

Antes de cada uso y a intervalos frecuentes, compruebe que todos los acoplamientos del eje de la vara telescópica y la herramienta están bien apretados.

TRANSPORTE Y ALMACENAMIENTO

- Detenga el producto, retire la batería y deje que ambos se enfríen antes de guardarlos o transportarlos.
- Limpie todo el material extraño que pueda permanecer en el producto. Guarde en una zona seca y bien ventilada, a la que no puedan acceder los niños. Para mayor seguridad, almacene la batería y el producto por separado. Evite el contacto con agentes corrosivos tales como productos químicos de jardinería o sales descongelantes. No almacenar al aire libre.
- Cubra la lámina con la debida protección antes de guardarla, o durante el transporte de la misma.
- Para transportar el producto, sujételo de modo que no se mueva ni se caiga para evitar lesiones personales o daños al producto.

MANTENIMIENTO

⚠ ADVERTENCIA

Utilice sólo piezas y accesorios de recambio originales del fabricante. Si no lo hace podría ocurrir un mal funcionamiento, podrían producirse daños o podría quedar anulada la garantía.

⚠ ADVERTENCIA

Las reparaciones requieren tener mucho cuidado y conocimiento y sólo debe realizarse por un técnico de servicio calificado. Para obtener servicio, le sugerimos que devuelva el producto al centro de servicio autorizado más cercano para reparación. Al realizar una reparación, sólo use piezas de reemplazo idénticas.





⚠ ADVERTENCIA

Las cuchillas están afiladas. Para evitar lesiones físicas, tenga mucho cuidado al limpiar, lubricar y montar o desmontar el protector de la cuchilla.

- Retire la batería antes de hacer mantenimiento o limpieza.
- Usted puede realizar los ajustes y reparaciones descritos en este manual del usuario. Para otro tipo de reparaciones póngase en contacto con un agente de servicios autorizado.
- Después de cada uso, limpie la estructura y los mangos del aparato con un paño seco y suave.
- Después de cada uso, limpie los restos de las láminas con un cepillo duro y, a continuación, aplique cuidadosamente un lubricante que prevenga el óxido antes de volver a colocar el protector de la lámina. Utilice el lubricante en spray recomendado para lubricar y prevenir el óxido. El lubricante debe aplicarse de forma uniforme y con cuidado de no tocar las cuchillas. Para más información sobre el producto pulverizador apropiado, consulte a su centro de asistencia autorizado local.
- Podría lubricar las láminas ligeramente antes de usar el aparato, si fuera necesario, aplicando el método anterior.
- Verifique a intervalos frecuentes si todas las tuercas, pernos y tornillos están apretados apropiadamente para asegurarse de que el producto esté en buenas condiciones de trabajo. Cualquier pieza dañada debe ser sustituida o reparada adecuadamente por un centro de servicio autorizado.

RIESGOS RESIDUALES:

Incluso cuando use la máquina conforme a lo prescrito, es imposible eliminar completamente determinados factores de riesgo residuales. Los siguientes peligros pueden surgir en el uso y el operador debe prestar especial atención para evitar lo siguiente:

- Las cuchillas no pueden estar protegidas mientras están cortando. El contacto con las cuchillas puede causar lesiones graves. Mantenga la cuchilla alejada de usted mismo y de los demás. Cúbralas con el protector de cuchillas siempre que no esté cortando.
- Lesiones por vibración. Utilice siempre la herramienta adecuada para el trabajo, utilice los mangos pertinentes y limite el tiempo de trabajo y de exposición.
- La exposición al ruido puede causar pérdidas de audición. Use protección para los oídos y limite el tiempo de exposición.

REDUCCIÓN DEL RIESGO

Se ha informado de que las vibraciones de las herramientas de mano puede contribuir a una condición llamada síndrome de Raynaud en ciertos individuos. Los síntomas pueden incluir hormigueo, entorpecimiento y decoloración de los dedos, generalmente aparentes cuando tiene lugar una exposición al frío. Se considera que los factores hereditarios, exposición al frío y a la humedad,

dieta, tabaquismo y prácticas de trabajo contribuyen al desarrollo de estos síntomas. Existen medidas que pueden ser tomadas por el operador para reducir los efectos de vibración:

- Mantenga su cuerpo caliente durante el tiempo frío. Al manipular la unidad, utilice guantes para mantener las manos y las muñecas calientes. Hay informes que indican que el tiempo frío es un gran factor que contribuye al síndrome de Raynaud.
- Después de cada período de funcionamiento, realice ejercicios para aumentar la circulación sanguínea.
- Haga pausas de trabajo frecuentes. Limite la cantidad de exposición por día.

Si siente alguno de los síntomas de esta enfermedad, interrumpa inmediatamente el uso y consulte a su médico estos síntomas.

⚠ ADVERTENCIA

El uso prolongado de una herramienta puede causar o agravar lesiones. Al utilizar cualquier herramienta durante períodos prolongados asegúrese de tomar descansos regulares.

CONOZCA SU PRODUCTO

Véase la página 125.

1. Hoja
2. Botón giratorio
3. Barra extensora
4. Acoplamiento del eje
5. Soporte del arnés
6. Empuñadura frontal
7. Liberador del gatillo
8. Interruptor de encendido y apagado (On/Off)
9. Barredora de escombros HedgeSweep™
10. Funda
11. Arnés
12. Batería
13. Botón de sujeción de la batería
14. Cargador

SÍMBOLOS EN EL PRODUCTO



Advertencia



Lea y comprenda todas las instrucciones antes de manipular el producto, respete las advertencias y las instrucciones de seguridad.



Póngase protección para los ojos, los oídos y la cabeza.



Utilice calzado de seguridad antideslizante cuando utilice este producto.



Use guantes de trabajo resistentes, antideslizantes.

- EN
- FR
- DE
- ES
- IT
- NL
- PT
- DA
- SV
- FI
- NO
- RU
- CS
- PL
- HU
- RO
- LV
- LT
- ET
- HR
- SL
- SK
- BG
- UK





No la exponga a la lluvia o a lugares húmedos.



Tire: Pestaña de liberación rápida



Cuchilla afilada de corte. Para evitar lesiones graves, no toque las cuchillas.



Peligro eléctrico. Manténgase al menos a 10 m de los cables situados por encima.



Tenga cuidado con los objetos volátiles o lanzados. Mantenga a las demás personas, y en especial a los niños y a los animales, a una distancia mínima de 15 m de la zona de corte.



Los productos eléctricos de desperdicio no deben desecharse con desperdicios caseros. Por favor recíclelos donde existan dichas instalaciones. Compruebe con su autoridad local o minorista para reciclar.



Esta herramienta responde a todas las normas reglamentarias del país de la UE donde se ha comprado.



Certificado EAC de conformidad



Marca de conformidad ucraniana



El nivel de potencia sonora garantizado es de 95 dB.

ICONOS DE ESTE MANUAL



Las piezas o accesorios se venden por separado



OBSERVACIÓN



Advertencia!

Los siguientes símbolos y palabras detallan los niveles de cuidado necesarios para usar este producto.

PELIGRO

Indica una situación potencialmente peligrosa que, de no evitarse, puede ocasionar la muerte o heridas de gravedad.

ADVERTENCIA

Indica una situación peligrosa que, de no evitarse, puede ocasionar la muerte o heridas de gravedad.

ADVERTENCIA

Indica una situación potencialmente peligrosa que, de no evitarse, puede ocasionar heridas leves.

ADVERTENCIA

Sin símbolo de alerta de seguridad

Indica una situación que puede causar daños en las cosas.



E' stata data massima priorità a sicurezza, prestazioni e affidabilità nel design di questo tagliasiepi telescopico senza cavi.

UTILIZZO RACCOMANDATO

Prodotto idoneo solo all'utilizzo in esterni da un operatore singolo che rimane in piedi su un terreno solido. Per ragioni di sicurezza, l'utensile deve essere adeguatamente controllato utilizzando sempre due mani.

Prodotto destinato a utilizzo privato o domestico. Ideale per tagliare e sfrondare siepi, cespugli e altra vegetazione simile. Il prodotto è progettato per essere esteso a una lunghezza massima di 2.93 m.

Non superare questa lunghezza di lavoro.

Utilizzare solo in luoghi asciutti e ben illuminati.

NON adatto a tagliare erba, alberi o rami. Non utilizzare per scopi diversi oltre a sfrondare siepi.

AVVERTENZE GENERALI DI SICUREZZA

AVVERTENZA

Leggere tutte le avvertenze di sicurezza e le istruzioni. La mancata osservanza di tutte le istruzioni potrà causare scosse elettriche, incendi e/o gravi lesioni personali.

Conservare le presenti avvertenze ed istruzioni per poterle consultare in seguito.

Il termine "elettroutensile" nelle avvertenze fa riferimento a un elettroutensile che funziona con una spina (con cavo) o a batterie (senza cavo).

AMBIENTE DI LAVORO

- **Mantenere l'area di lavoro pulita e ben illuminata.** Aree di lavoro disordinate o non illuminate adeguatamente potranno causare incidenti.
- **Non mettere in funzione gli elettroutensili in atmosfere esplosive, come in presenza di liquidi infiammabili, gas o polvere.** Gli elettroutensili creano scintille che possono causare incendi a contatto con polveri e fumi.
- **Tenere bambini ed eventuali osservatori lontani mentre si mette in funzione l'elettroutensile.** Eventuali distrazioni potranno causare una perdita di controllo.

SICUREZZA ELETTRICA

- **La spina dell'elettroutensile deve corrispondere alla presa. Non modificare la spina in alcun modo. Non utilizzare spine adattatrici con elettroutensili con messa a terra (presa di terra).** Spine non modificate e prese corrispondenti ridurranno il rischio di scosse elettriche.
- **Evitare il contatto del corpo con superfici con messa a terra come tubi, radiatori, piani cottura e refrigeratori.** Rischio aumentato di scosse elettriche se il corpo viene collegato con messa a terra.
- **Non esporre il prodotto a pioggia o umidità.** Nel caso in cui dell'acqua entrerà nell'elettroutensile il

rischio di scosse elettriche aumenterà.

- **Non sottoporre a sforzi il cavo dell'alimentazione. Non trasportare né tirare o scollegare l'elettroutensile dal cavo. Tenere il cavo lontano da calore, olio, angoli appuntiti o parti in movimento.** Cavi danneggiati o intrecciati potranno far aumentare il rischio di scosse elettriche.
- **Quando si mette in funzione un elettroutensile all'esterno, utilizzare una prolunga adatta all'esterno.** Utilizzare un cavo adatto agli esterni per ridurre il rischio di scosse elettriche.
- **Nel caso in cui non si possa fare a meno di mettere in funzione un elettroutensile in un luogo umido, utilizzare un dispositivo di corrente residua (RCD).** Utilizzare un RCD ridurrà il rischio di scosse elettriche.

SICUREZZA PERSONALE

- **Mantenere sempre l'attenzione e utilizzare buon senso quando si utilizza un elettroutensile. Non utilizzare un elettroutensile se stanchi o sotto l'influenza di droghe, alcool o farmaci.** Un momento di disattenzione durante le operazioni potrà risultare in gravi lesioni personali.
- **Utilizzare equipaggiamento di protezione personale. Indossare sempre occhiali di protezione.** Utilizzare sempre equipaggiamento di protezione come maschere per la polvere, calzature antiscivolo, caschi o cuffie di protezione per ridurre rischi di lesioni alla persona.
- **Prevenire l'avvio accidentale. Assicurarsi che l'interruttore sia sulla posizione off (spento) prima di collegare l'utensile all'alimentazione e/o al gruppo batterie, o prima di afferre e trasportare l'utensile.** Trasportare elettroutensili tenendo un dito sull'interruttore o con l'elettroutensile acceso potrà causare incidenti.
- **Rimuovere eventuali chiavi o dispositivi di regolazione prima di accendere l'elettroutensile.** Una chiave o un dispositivo di blocco collegato a una parte rotante dell'utensile potrà risultare in gravi lesioni personali.
- **Non protendersi. Rimanere bene in equilibrio sulle gambe e non distendere troppo lontano le braccia.** Ciò permetterà un miglior controllo dell'elettroutensile in situazioni inaspettate.
- **Indossare un abbigliamento adatto. Non utilizzare abiti con parti svolazzanti o gioielli. Tenere capelli, vestiti e guanti lontani dalle parti in movimento.** Abiti con parti svolazzanti, gioielli o capelli lunghi potranno rimanere impigliati nelle parti in movimento.
- **Nel caso in cui vengano forniti dispositivi per l'estrazione e la raccolta della polvere, assicurarsi che gli stessi siano collegati e utilizzati correttamente.** Utilizzare il sacchetto di raccolta della polvere può ridurre rischi collegati alla polvere.

UTILIZZO E MANUTENZIONE ELETTROUTENSILI

- **Non forzare il prodotto. Utilizzare l'elettroutensile corretto per il proprio lavoro.** L'elettroutensile corretto svolgerà in maniera migliore e più sicura il lavoro per il quale è stato progettato.





- **Non utilizzare l'elettrotensile se l'interruttore non si accende e spegne.** Un elettrotensile che non può essere controllato dall'interruttore è pericoloso e deve essere riparato.
- **Scollegare la presa dall'alimentazione e/o il gruppo batterie dall'elettrotensile prima di svolgere le eventuali regolazioni, cambiare gli accessori o riporre elettrotensili.** Queste misure di sicurezza preventive ridurranno il rischio di avvio dell'elettrotensile.
- **Riporre elettrotensili lontano dalla portata dei bambini e non permettere a persone che non conoscano il funzionamento dell'elettrotensile o queste istruzioni di metterlo in funzione.** Gli elettrotensili possono essere pericolosi se utilizzati da personale non preparato.
- **Svolgere sempre le operazioni di manutenzione sull'elettrotensile. Controllare l'eventuale allineamento scorretto o blocco delle parti in movimento, la rottura di parti e qualsiasi altra condizione che potrà influenzare il funzionamento dell'elettrotensile. In caso di danni far riparare l'elettrotensile prima di utilizzarlo.** Elettrotensili sui quali non sono state svolte le dovute operazioni di manutenzione possono essere causa di incidenti.
- **Mantenere tutti gli utensili affilati e appuntiti.** Utensili per operazioni di taglio con parti taglienti sui quali sono state svolte le corrette operazioni di manutenzione non si bloccheranno e saranno più facili da controllare.
- **Utilizzare l'elettrotensile, i suoi accessori, le punte ecc. assieme a queste istruzioni tenendo conto delle condizioni di lavoro e del lavoro da svolgere.** Utilizzare l'elettrotensile per operazioni diverse da quelle indicate potrà causare situazioni pericolose.

UTILIZZO E MANUTENZIONE DI UN UTENSILE A BATTERIE

- **Ricaricare solo con il caricatore indicato dalla ditta produttrice.** Un caricatore adatto per un tipo di batterie potrà creare un rischio di incendio se utilizzato con un altro gruppo batterie.
- **Utilizzare elettrotensili solo con i gruppi batteria indicati.** L'utilizzo di gruppi batteria diversi da quelli indicati potrà causare rischi di lesioni e incendi.
- **Quando il gruppo batterie non viene utilizzato, tenerlo lontano da oggetti in metallo come fermagli, monete, chiavi, chiodi, viti o altri piccoli oggetti che potranno fare da tramite da un terminale all'altro.** Cortocircuitare i terminali della batteria assieme potrà causare scottature o incendi.
- **Se sottoposto a stress, la batteria potrà perdere dei liquidi; evitare il contatto. Se si entra accidentalmente in contatto con tali liquidi, lavarsi immediatamente con acqua. Se il liquido entra negli occhi, rivolgersi a un medico.** Il liquido espulso dalla batteria potrà causare irritazioni o scottature.

MANUTENZIONE

- **Far svolgere la manutenzione da personale qualificato utilizzando solo parti di ricambio identiche.** Ciò permette di mantenere la sicurezza

dell'elettrotensile.

AVVERTENZE DI SICUREZZA BORDATORE TELESCOPICO

- **Tenere tutte le parti del corpo lontane dalla lama di taglio.** Un momento di disattenzione mentre si mette in funzione il prodotto potrà causare gravi lesioni personali.
- **Trasportare lo sfondatore telescopico dal manico con le lame arrestate. Montare sempre il coperchio del dispositivo di taglio quando si trasporta o ripone lo sfondatore telescopico.** Una gestione adeguata del bordatore telescopico potrà ridurre le lesioni alla persona causate dalle lame.
- **Reggere il dispositivo dal manico antiscivolo, dal momento che la lama di taglio potrà entrare in contatto con un cavo nascosto.** Se le lame di taglio entrano in contatto con un cavo "vivo" potranno rendere "vive" le parti in metallo dell'elettrotensile causando scosse elettriche all'operatore.

ULTERIORI AVVERTENZE DI SICUREZZA

- Pulire l'area di lavoro prima di ogni utilizzo. Rimuovere tutti gli oggetti come cavi, luci, fili, o corde che potranno essere scagliate o rimanere impigliate nei dispositivi di taglio.
- Fare attenzione ad oggetti scagliati; tenere osservatori, bambini e animali almeno 15 metri lontani dall'area di lavoro.
- Controllare costantemente che non vi siano persone o animali dietro o dentro le siepi o i cespugli da tagliare.
- Norme di sicurezza generali non utilizzare questo apparecchio in una zona scarsamente illuminata. L'area di lavoro deve essere pulita per essere in grado di individuare potenziali rischi.
- Controllare l'utensile prima di ogni utilizzo. Controllare parti allentate, assicurarsi che tutti gli schermi e i manici siano correttamente collegati e assicurati. Sostituire le parti danneggiate prima dell'utilizzo.
- Non modificare l'utensile in alcun modo.
- Non permettere a bambini o a persone non qualificate di utilizzare questo prodotto.
- Indossare occhiali e cuffie di protezione mentre si utilizza questo prodotto. Nel caso in cui si sia lavorando in un'area dove vi sia rischio di caduta di oggetti, indossare sempre una protezione per la testa.
- Indossare pantaloni lunghi e resistenti, stivali e guanti da lavoro. Non indossare abbigliamento con parti svolazzanti, pantaloni corti, gioielli di ogni genere né utilizzare il dispositivo a piedi scalzi.
- Assicurare i capelli lunghi all'altezza delle spalle per evitare che rimangano impigliati nelle parti in movimento.
- Non mettere in funzione se stanchi, malati o sotto l'influenza di alcool, droghe o medicinali.
- Mantenere sempre un appoggio saldo e l'equilibrio. Non protendersi. Protendersi troppo potrà causare una perdita di equilibrio e gravi lesioni.
- Prima di avviare l'utensile, assicurarsi che le lame di





taglio non entrino in contatto con nulla.

- Assicurarsi che l'utensile sia nella posizione di funzionamento indicata prima di avviare l'utensile.
- Mentre si mette in funzione lo sfrondatore telescopico, reggerlo sempre in maniera salda con entrambe le mani e assicurarsi che la posizione di funzionamento sia completamente sicura. La ditta produttrice raccomanda di non utilizzare scale o scalette.
- Utilizzare la cinghia se fornita con lo sfrondatore telescopico. Assisterà l'operatore a sostenere il peso del prodotto durante l'utilizzo e le operazioni di spostamento tra le posizioni di taglio. Regolare attentamente la cinghia in maniera comoda.
- Identificare il meccanismo a rilascio veloce e fare pratica nell'utilizzarlo prima di mettere in funzione la macchina. L'utilizzo corretto può prevenire gravi lesioni in caso d'emergenza. Non indossare mai altri capi di abbigliamento sulla cinghia in caso contrario limitare l'accesso al meccanismo a rilascio veloce.
- Per proteggersi dalle scosse elettriche, non mettere in funzione entro 10 m dai cavi elettrici sospesi.
- Non utilizzare lo sfrondatore telescopico accanto a staccionate, paletti, edifici, o altri oggetti fissi.
- Le lame sono affilate. Quando si gestisce il montaggio della lama, indossare guanti di protezione anti-scivolo e da lavoro. Non posizionare mani o dita tra le lame o in una qualsiasi posizione nella quale potrebbero rimanere impigliate o tagliarsi. Non toccare la lama o l'unità senza aver prima rimosso il gruppo batterie.
- Spegnere il dispositivo e rimuovere il gruppo batterie prima:
 - regolare la posizione di lavoro del dispositivo di taglio
 - rimuovere o pulire un eventuale blocco
 - Lasciare il prodotto incustodito
 - Operazioni di controllo, manutenzione e lavoro sul prodotto.
- Non forzare il decespugliatore attraverso vegetazione folta. Ciò potrà causare alle lame di rimanere inceppate e di rallentare. Se le lame rallentano, ridurre il passo.
- Non tentare di tagliare arbusti o rami più spessi di 18 mm o troppo grandi da inserire nelle lame di taglio. Utilizzare una sega non operata elettricamente o una sega per potatura per tagliare rami grandi.
- L'utilizzo di dispositivi di protezione ridurrà la capacità di ascoltare eventuali segnali d'allarme (grida o avvertimenti). L'operatore dovrà prestare attenzione a ciò che accade nella zona di lavoro.
- Non mettere in funzione lo sfrondatore telescopico con lame danneggiate o eccessivamente consumate.
- Fare sempre attenzione allo spazio di lavoro, mantenere la massima attenzione per evitare eventuali rischi che non potranno essere uditi a causa del rumore della macchina.

⚠ AVVERTENZA

Se l'utensile cade, viene colpito o inizia a vibrare in modo anormale, arrestarlo immediatamente e controllare eventuali danni identificando la causa delle vibrazioni. Riparare eventuali danni o far sostituire i pezzi da un centro servizi autorizzato.

⚠ AVVERTENZA

Controllare che tutti gli accoppiamenti dell'albero sull'asta telescopica e sull'utensile siano correttamente assicurati prima di ogni utilizzo e a intervalli frequenti.

TRASPORTO E RIPONIMENTO

- Arrestare il prodotto, rimuovere le batterie e lasciare che si raffreddi prima di riporlo o trasportarlo.
- Rimuovere eventuali materiali di scarto dal prodotto. Riporre in un luogo asciutto e ben ventilato non accessibile ai bambini. Per ulteriore sicurezza, riporre la batteria separatamente dal prodotto. Tenerlo a distanza da agenti corrosivi, come le sostanze chimiche per il giardinaggio e il fondente chimico. Non riporre all'esterno.
- Coprire la lama con il coprilame prima di riporre l'unità o durante il trasporto.
- Per il trasporto, assicurare il prodotto contro ogni movimento o contro eventuali cadute per evitare lesioni a persone o danni al prodotto.

MANUTENZIONE

⚠ AVVERTENZA

Utilizzare solo parti di ricambio, accessori e dispositivi originali della ditta produttrice. In caso contrario si potranno causare lesioni, prestazioni basse e la garanzia verrà invalidata.

⚠ AVVERTENZA

Le operazioni di manutenzione devono essere svolte con grande attenzione e accortezza solo da un tecnico qualificato. Si consiglia di riportare l'utensile al più vicino centro assistenza autorizzato per farlo riparare. Quando l'attrezzo viene riparato, utilizzare solo ricambi identici.

⚠ AVVERTENZA

Le lame sono affilate. Per evitare lesioni alla persona, fare estrema attenzione durante le operazioni di pulizia, lubrificazione e regolazione o quando si rimuove il dispositivo di protezione delle lame.

- Rimuovere la batteria prima di svolgere eventuali operazioni di manutenzione o pulizia.
- L'operatore potrà fare le regolazioni e riparazioni descritte nel presente manuale. Per ulteriori riparazioni, contattare il centro servizi autorizzato.

EN
FR
DE
ES
IT

NL
PT
DA
SV
FI
NO
RU
PL
CS
HU
RO
LV
LT
ET
HR
SL
SK
BG
UK





- Dopo ogni utilizzo, pulire il corpo dell'utensile e le impugnature del prodotto con un panno asciutto morbido.
- Dopo ogni utilizzo, rimuovere gli scarti dalle lame con una spazzola rigida, e quindi applicare attentamente un lubrificante per prevenire la ruggine prima di reinstallare il proteggi lame. Utilizzare lo spray lubrificante per prevenire la ruggine. Evitare il contatto con le lame quando si applica un consistente strato di lubrificante. Per informazioni su un prodotto spray adatto, controllare con il proprio centro servizi autorizzato.
- Si potrà voler lubrificare le lame leggermente prima dell'utilizzo se necessario, utilizzando il metodo di cui sopra.
- Controllare frequentemente dadi, bulloni e viti, verificando che siano stati assicurati correttamente per fare in modo che il prodotto garantisca condizioni di lavoro ottimali. Riparare eventuali parti danneggiate o farle sostituire da un centro servizi autorizzato.

RISCHI RESIDUI:

Anche quando l'utensile è utilizzato come indicato nel manuale, non è completamente impossibile eliminare alcuni fattori di rischio residuo. Si potranno verificare i seguenti rischi durante l'utilizzo e l'operatore dovrà prestare attenzione speciale per evitare quanto segue:

- Non tenere la protezione lame sulle stesse durante le operazioni di taglio. Il contatto con le lame potrà causare gravi lesioni alla persona. Tenere la lama lontana da sé stessi e dagli altri. Coprire le lame con l'apposito protettore quando non le si stanno tagliando.
- Lesioni causate da vibrazioni. Utilizzare sempre l'utensile adatto per svolgere il lavoro, utilizzare i manici appositi e limitare le ore di lavoro e l'esposizione.
- L'esposizione al rumore può causare lesioni all'udito. Indossare cuffie di protezione e limitare l'esposizione.

RIDUZIONE DEL RISCHIO

Si è accertato che le vibrazioni causate da utensili a mano possono contribuire a causare una condizione chiamata Sindrome di Raynaud in alcune persone. I sintomi, comprendenti formicolio, intorpidimento e perdita di colore alle dita, si verificano di solito quando ci si espone al freddo. Fattori ereditari, esposizione a freddo e umidità, una dieta scorretta, fumo e condizioni di lavoro non sicure potranno contribuire allo sviluppo di questi sintomi. È possibile prendere delle precauzioni per ridurre le vibrazioni:

- Tenere il corpo al caldo a basse temperature. Quando si utilizza l'utensile, indossare guanti e tenere le mani e i polsi caldi. Le basse temperature contribuiscono a causare la Sindrome di Raynaud.
- Dopo aver utilizzato l'utensile per un certo periodo, fare degli esercizi per stimolare la circolazione del sangue.
- Fare spesso delle pause. Limitare la quantità di esposizione giornaliera.

Nel caso in cui si provino i sintomi di questa condizione, interrompere immediatamente l'utilizzo dell'utensile e consultare un dottore.

⚠ AVVERTENZA

Il prolungato utilizzo dell'utensile potrà causare o aggravare lesioni. Quando si utilizza questo utensile per periodi di tempo prolungati, assicurarsi di fare sempre delle pause regolari.

FAMILIARIZZARE CON IL PRODOTTO

Vedere pagina 125.

1. Lama
2. Tasto azione basculante
3. Asta telescopica
4. Accoppiamento asta
5. Gancio cinghia
6. Impugnatura anteriore
7. Rilascio della leva
8. Grilletto Acceso/Spento
9. Aspiratore di detriti HedgeSweep™
10. Copertura lame
11. Cinghia
12. Batteria
13. Tasto linguetta batteria
14. Caricatore

SIMBOLI SUL PRODOTTO



Avvertenza



Leggere e comprendere tutte le istruzioni prima di mettere in funzione il prodotto, seguire tutte le istruzioni e le avvertenze di sicurezza.



Indossare protezione occhi, orecchie e testa.



Indossare calzature anti-scivolo con questo prodotto.



Indossare guanti anti-scivolo da lavoro.



Non esporre a pioggia o umidità.



Spinta: Linguetta a rilascio veloce



Lame di taglio affilate. Per prevenire gravi lesioni, non toccare le lame di taglio.



Rischio elettrico. Tenere ad almeno 10 m dai cavi sospesi.



Fare attenzione ad oggetti scagliati o lanciati dall'utensile. Mantenere le persone estranee e, in particolare modo, i bambini e gli animali domestici ad una distanza di almeno 15 m dall'area di lavoro.





I prodotti elettrici non devono essere smaltiti con i rifiuti domestici. Vi sono strutture per smaltire tali prodotti. Informarsi presso il proprio Comune o rivenditore di sicurezza per smaltire adeguatamente tali rifiuti.



Questo apparecchio è conforme a tutte le norme vigenti nel paese dell'UE in cui è stato acquistato.



Marchio di conformità EurAsian



Marchio di conformità ucraino



Il livello garantito di potenza sonora è di 95 dB.

- EN
- FR
- DE
- ES
- IT**
- NL
- PT
- DA
- SV
- FI
- NO
- RU
- PL
- CS
- HU
- RO
- LV
- LT
- ET
- HR
- SL
- SK
- BG
- UK

ICONE IN QUESTO MANUALE



Parti o accessori venduti separatamente



NOTA



Avvertenza!

I seguenti simboli indicano i livelli di rischio associati a questo prodotto.



PERICOLO

Indica una situazione pericolosa che, se non evitata attentamente, potrà causare gravi lesioni alla persona o morte.



AVVERTENZA

Indica una situazione potenzialmente pericolosa che, se non evitata attentamente, potrà causare gravi lesioni alla persona o morte.



ATTENZIONE

Indica una situazione potenzialmente pericolosa che, se non evitata attentamente, potrà causare lesioni minori o moderate alla persona.

ATTENZIONE

Senza simbolo di allerta di sicurezza

Indica una situazione che potrà risultare in gravi danni a cose.

Veiligheid, prestaties, betrouwbaarheid kregen topprioriteit in het ontwerp van uw snoerloze telescopische heggeschaar.

VOORGESCHREVEN GEBRUIK

Het product is uitsluitend geschikt voor buitenshuis gebruik door een enkele bediener die stevig vast op de grond staat. Omwille van veiligheidsredenen moet het product correct worden bediend door steeds twee handen te gebruiken.

Dit product is ontworpen voor huishoudelijk gebruik. Het is bedoeld om heggen, struiken en gelijkaardige vegetatie te snoeien en trimmen. Het product is ontworpen voor gebruik tot op een hoogte van 2.93 m.

Overschrijd deze werklengte niet.

Het moet worden gebruikt in droge, goed verlichte omstandigheden.

Het is NIET bedoeld om gras, bomen of takken te snijden. Het mag niet worden gebruikt voor enig ander doel dan het snoeien van heggen.

ALGEMENE VEILIGHEIDSWAARSCHUWINGEN

⚠ WAARSCHUWING

Lees alle veiligheidswaarschuwingen en instructies. Wanneer niet de waarschuwingen en instructies niet opvolgt, kan dit leiden tot elektrische schok en/of ernstig letsel.

Bewaar deze waarschuwingen en voorschriften zorgvuldig om ze ook later te kunnen inzien.

De term "elektrisch gereedschap" in de waarschuwingen verwijst naar gereedschap dat met de stroomtoevoer is verbonden (met snoer) of accu-aangedreven (snoerloos) gereedschap.

WERKOMGEVING

- **Houd de werkplek schoon en goed verlicht.** Vervuilde of donkere plekken nodigen uit tot ongevallen.
- **Gebruik elektrische werktuigen niet in explosieve omgevingen, zoals in de aanwezigheid van ontvlambare vloeistoffen, gassen of stof.** Elektrisch gereedschap kan vonken veroorzaken die het stof of de gassen kunnen ontsteken.
- **Houd kinderen en omstanders weg terwijl u elektrisch gereedschap gebruikt.** Wanneer u wordt afgeleid, kunt u de controle verliezen.

ELEKTRISCHE VEILIGHEID

- **Stekkers van elektrisch gereedschap moeten overeenkomen met de contactdoos. Wijzig de stekker nooit. Gebruik geen adapters met geaarde elektrische werktuigen.** Niet-gewijzigde stekkers en overeenkomstige contactdozen zullen het risico op elektrische schok verminderen.
- **Vermijd lichaamscontact met een geaard oppervlak, zoals buizen, radiatoren, kookfornuizen en koelkasten.** Er bestaat een verhoogd risico voor elektrische schokken als uw lichaam is geaard.
- **Stel dit product niet bloot aan regen of natte**

omstandigheden. Water dat een elektrisch werktuig binnendringt, verhoogt het risico op elektrische schokken.

- **Misbruik het snoer niet. Gebruik het snoer nooit om het elektrisch werktuig te dragen, eraan te trekken of het uit de contactdoos te trekken. Houd het snoer weg van hitte, olie, scherpe randen of bewegende onderdelen.** Beschadigde of verstrikte snoeren verhogen het risico op elektrische schokken.
- **Gebruik een verlengsnoer geschikt voor buitenshuis gebruik wanneer u een elektrisch werktuig buitenshuis gebruikt.** Het gebruik van een snoer dat geschikt is voor buitenshuis gebruik, vermindert het risico op elektrische schokken.
- **Als het gebruik van een elektrisch werktuig op een vochtige plaats onvermijdelijk is, gebruikt u een contactdoos die beschermd is door een aardlekschakelaar.** Het gebruik van een aardlekschakelaar vermindert het risico op elektrische schokken.

PERSOONLIJKE VEILIGHEID

- **Blijf alert, kijk naar wat u doet en gebruik uw gezond verstand wanneer u elektrisch gereedschap gebruikt. Gebruik een elektrisch werktuig niet wanneer u moe of onder de invloed van drugs, alcohol of medicijnen bent.** Een ogenblik van onoplettendheid terwijl u elektrisch gereedschap gebruikt, kan leiden tot ernstige verwondingen.
- **Gebruik een persoonlijke beschermuitrusting. Draag altijd gehoorbescherming.** Beschermonderdelen, zoals een stofmasker, antislipschoeisel, helm of gehoorbescherming dat op een geschikte manier wordt gebruikt, zal het risico op verwondingen verlagen.
- **Ongewenst starten voorkomen. Zorg ervoor dat de schakelaar zich in de uit-stand bevindt voor u de machine met een stroombron en/of accupack verbindt, de machine opheft of draagt.** Wanneer u elektrisch gereedschap draagt met de vinger op de schakelaar of wanneer het gereedschap met de stroombron is verbonden, kan dit leiden tot ongevallen.
- **Verwijder alle afstelsleutels voor u het elektrisch werktuig inschakelt.** Een sleutel die op een draaiend onderdeel van het elektrisch gereedschap werd achtergelaten, kan leiden tot verwondingen.
- **Overrek u niet. Ga altijd stevig op uw benen staan en reik niet te ver weg met uw arm.** Dit maakt een betere controle van het werktuig in onverwachte omstandigheden mogelijk.
- **Draag geen wijde kleding, dassen of sieraden die klem kunnen raken en u naar de bewegende delen toe kunnen trekken. Draag geen losse kledij of juwelen. Houd uw haar, kledij en handschoenen weg van de bewegende onderdelen.** Losse kledij, juwelen of lang haar kan in bewegende onderdelen verstrikt raken.
- **Als er apparaten worden geleverd voor de verbinding met een stofextractie en verzamelfaciliteiten, zorgt u ervoor dat deze zijn verbonden en goed worden gebruikt.** Het gebruik van een stofverzamelaar vermindert stof-gerelateerde gevaren.



EN
FR
DE
ES
IT
NL
PT
DA
SV
FI
NO
RU
PL
CS
HU
RO
LV
LT
ET
HR
SL
SK
BG
UK

GEbruik VAN EN ZORG VOOR UW ELEKTRISCH GEREEDSCHAP

- **Forceer het product niet. Gebruik het correcte werktuig voor uw toepassing.** Het juiste werktuig zal de taak beter en veiliger uitvoeren aan het tempo waarvoor het werd ontworpen.
- **Gebruik het elektrisch werktuig niet als de schakelaar het niet kan in- of uitschakelen.** Een elektrisch werktuig dat niet met behulp van de schakelaar kan worden bediend, is gevaarlijk en moet worden gerepareerd.
- **Trek de stekker uit de contactdoos en/of ontkoppel het accupack van het gereedschap voor u de machine afstelt, accessoires wisselt of het werktuig opbergt.** Zulke preventieve veiligheidsmaatregelen kunnen het risico op ongewenst starten van de machine verminderen.
- **Bewaars ongebruikt elektrisch gereedschap buiten het bereik van kinderen en niet-opgeleide personen die het gereedschap of deze gebruiksaanwijzingen niet kennen.** Elektrisch gereedschap is gevaarlijk in de handen van niet-opgeleide gebruikers.
- **Onderhoud elektrisch gereedschap. Controleer op verkeerde aflijning of verstrikt raken van bewegende delen, defecten van onderdelen en alle andere situaties die de werking van het werktuig kunnen beïnvloeden. Indien beschadigd, laat u het elektrisch gereedschap repareren voor gebruik.** Veel ongevallen worden veroorzaakt door slecht onderhouden elektrische werktuigen.
- **Houd de zaagwerktuigen scherp en schoon.** Correct onderhouden zaagwerktuigen met scherpe randen zijn minder geneigd om verstrikt te raken en kunnen makkelijker worden bestuurd.
- **Gebruik het werktuig, de accessoires en werktuigonderdelen, etc. in overeenstemming met deze instructies en houd rekening met de bedrijfsomstandigheden en het uit te voeren werk.** Het gebruik van een elektrisch werktuig voor zaken die niet in het voorgeschreven gebruik zijn beschreven, kan leiden tot gevaarlijke situaties.

GEbruik EN ONDERHOUD VAN HET ACCUANGEDREVEN WERKTUIG

- **Herlaad enkel met de oplader die door de fabrikant is gespecificeerd.** Een oplader die voor een type accupack is geschikt kan een brandgevaar betekenen wanneer het met een ander accupack wordt gebruikt.
- **Gebruik elektrisch gereedschap uitsluitend met de specifiek toegewezen accupacks.** Het gebruik van andere accupacks kan leiden tot risico's op letsels en brand.
- **Wanneer het accupack niet wordt gebruikt, moet u het weg houden van andere metalen objecten, zoals papierclips, munten, sleutels, spijkers, schroeven of andere kleine metalen voorwerpen die een verbinding kan maken van een terminal naar een andere.** De batterijterminals kortsluiten kan leiden tot brandwonden of brand.
- **In oneigenlijke omstandigheden, kan een vloeistof**

uit de accu lekken; vermijd contact hiermee. Als per ongeluk contact voorkomt, spoelt u met water. Als de vloeistof in contact komt met de ogen, dient u bijkomend medische hulp te raadplegen. Vloeistof die uit de accu lekt, kan irritatie of brandwonden veroorzaken.

ONDERHOUD

- **Laat uw elektrisch gereedschap onderhouden door een gekwalificeerd onderhoudspersoon en gebruik hierbij uitsluitend identieke vervangonderdelen.** Dit zal ervoor zorgen dat de veiligheid van het werktuig wordt behouden.

VEILIGHEIDSWAARSCHUWINGEN VOOR TELESCOPISCHE HEGGENTRIMMER

- **Houd alle lichaamsdelen weg van het snijblad.** Een ogenblik van onoplettendheid tijdens het gebruik van het product kan leiden tot ernstige persoonlijke letsels.
- **Draag de telescopische heggentrimmer aan het handvat, waarbij het zaagblad is stilgefallen. Wanneer u de telescopische heggentrimmer transporteert of opbergt, brengt u altijd de zaagbladbeschermer aan.** Een goede bediening van de telescopische heggentrimmer zal het risico op lichamelijke letsels door de zaagbladen ernstig verminderen.
- **Houd het werktuig uitsluitend aan het geïsoleerde handvat vast aangezien het snijblad in contact kan komen met verborgen kabels.** Snijbladen die in contact komen met een kabel "onder spanning" kunnen ervoor zorgen dat blootgestelde metalen onderdelen van het werktuig ook "onder spanning" komen te staan, wat de gebruiker een elektrische schok kan geven.

BIJKOMENDE VEILIGHEIDSWAARSCHUWINGEN

- **Maak voor elk gebruik de werkplek vrij.** Verwijder alle voorwerpen, zoals snoeren, lampen, draad of kabels die in het zaagmechanisme verstrikt kunnen raken of weggegooid worden.
- **Pas op voor weggeslingerde voorwerpen; houd alle omstaanders, kinderen en huisdieren op tenminste 15 m afstand van het werkgebied.**
- **Controleer voortdurend of er zich geen personen of dieren achter of in de haag of struik bevinden die u wilt trimmen.**
- **Gebruik dit apparaat niet op plekken waar u niet goed kunt zien.** De gebruiker heeft een duidelijk overzicht nodig van het werkgebied om mogelijke gevaren te identificeren.
- **Controleer de machine voor elk gebruik. Controleer op losse verbinders. Zorg ervoor dat alle beschermers en handvatten correct en stevig zijn vastgemaakt. Vervang alle beschadigde onderdelen voor gebruik.**
- **Wijzig de machine op geen enkele manier.**
- **Laat kinderen of niet-opgeleide personen dit product niet gebruiken.**
- **Draag volledige gezichts- en gehoorbescherming terwijl u het product bedient. Als u op een plaats werkt waar**



het risico bestaat op vallende voorwerpen moet een veiligheidshelm worden gedragen.

- Draag een zware lange broek, laarzen en handschoenen. Draag geen losse kleding, korte broek, juwelen van enig soort en gebruik het apparaat niet met blote voeten.
- Maak lang haar vast zodat het zich boven schouderlengte bevindt om te voorkomen dat het in een bewegend deel verstrikt raakt.
- Gebruik deze machine niet als u moe, ziek of onder de invloed van alcohol, drugs of medicijnen bent.
- Bewaar steeds een stevige houvast en goed evenwicht. Overrek u niet. Overreiken kan leiden tot evenwichtsverlies en ernstige verwondingen.
- Voor u de machine start, dient u ervoor te zorgen dat zaagbladen niet in contact kunnen komen met andere voorwerpen.
- Zorg ervoor dat de machine correct in een aangeduide werkpositie bevindt voor u ze start.
- Terwijl u de telescopische heggentrimmer installeert, houdt u hem altijd stevig met beide handenvast aan de twee handvatten en zorgt u ervoor dat de bedienpositie veilig is. De fabrikant raadt het gebruik van een ladder niet aan.
- Gebruik het harnas indien het met uw telescopische heggentrimmer werd meegeleverd. Het zal u helpen het gewicht van het product te ondersteunen tijdens gebruik en terwijl u tussen snoeiopposities beweegt. Stel het harnas zorgvuldig af om comfortabel te passen.
- Zoek het snelle ontgrendelmechanisme en oefen dit voor u de machine begint te gebruiken. Een goed gebruik kan ernstig letsel vermijden bij een noodgeval. Draag nooit kleding over het harnas of kleding dat de toegang tot de snelsluiting beperkt.
- Om uzelf tegen elektrocutie te beschermen, bedient u de machine niet binnen de 10 m van overhangende stroomkabels.
- Gebruik de telescopische heggentrimmer nooit in de buurt van omheiningen, gebouwen of andere vaste voorwerpen.
- zaagbladen zijn scherp. Draag zware antislip beschermhandschoenen als u het zaagblad hanteert. Plaats uw hand of vingers niet tussen de snijbladen of in een positie waar ze gekneld kunnen raken of snijwonden kunnen oplopen. Raak het snijblad nooit aan of voer geen onderhoudswerken uit tenzij het batterijpack verwijderd is.
- Schakel de machine uit en verwijder het batterijpack voor:
 - werkpositie van het snijmechanisme afstellen
 - blokkering schoon- of vrijmaken
 - het product onbeheerd achterlaten
 - ontrollen, onderhoud of werken aan het product.
- Forceer de heggenschaar niet door dicht struikgewas. Dit kan ervoor zorgen dat het snijblad vast raakt en vertraagt. Als de snijbladen vertragen, vermindert u het tempo.
- Probeer geen twijgen of takken te snoeien die dikker zijn dan 18 mm of die te groot zijn voor het snijblad.

Gebruik een handzaag of snoeizaag om grote stammen te snoeien.

- Het gebruik van gehoorbescherming vermindert de mogelijkheid om waarschuwingen (verbaal of alarmeren) te horen. De gebruiker moet extra aandacht hebben voor wat er op de werkplaats gebeurt.
- Gebruik de telescopische heggentrimmer niet met beschadigde of versleten zaagbladen.
- Wees u telkens van uw omgeving bewust en blijf alert voor mogelijke gevaren die u misschien niet hoort omwille van het machinelawaai.

⚠ WAARSCHUWING

Als het apparaat is gevallen, flink wordt gestoten of abnormaal begint te trillen, de machine direct uitschakelen en op schade controleren of de oorzaak van het trillen opsporen. Enige schade moet direct worden gerepareerd of vervangen door een bevoegd onderhoudscentrum.

⚠ WAARSCHUWING

Controleer dat alle schachtkoppelingen op de verlengpaal en het werktuig stevig zijn vastgemaakt voor elk gebruik en nadien ook regelmatig.

TRANSPORT EN OPSLAG

- Leg het product stil, verwijder de batterij en laat beide afkoelen voor u ze opbergt of transporteert.
- Verwijder alle vreemde voorwerpen van het product. Bewaar op een koele, droge en goed geventileerde plaats die niet toegankelijk is voor kinderen. Bewaar voor extra veiligheid de accu afzonderlijk van het product. Houd corrosieve producten, zoals tuinchemicaliën en strooizout uit de buurt van het apparaat. Bewaar niet buitenshuis.
- Bedek het maaiblad met een maaibladbeschermer voor u de machine opbergt of tijdens transport.
- Voor transport beveilig u het product tegen bewegen of vallen om lichamelijke letsels of schade aan het product te voorkomen.

ONDERHOUD

⚠ WAARSCHUWING

Gebruik uitsluitend originele vervangonderdelen, accessoires en voorzetstukken van de fabrikant. Als u dit niet doet, kan dit mogelijk letsels of slechte prestaties veroorzaken waardoor uw garantie kan vervallen.



⚠ WAARSCHUWING

Het onderhoud vereist extreme voorzichtigheid en deskundigheid en mag enkel door een gekwalificeerde onderhoudstechnicus worden uitgevoerd. Wij raden u aan het toestel voor herstellingen naar uw dichtstbijzijnde erkende onderhoudsdienst terug te brengen. Gebruik voor het onderhoud alleen identieke vervangingsonderdelen.

⚠ WAARSCHUWING

De zaagbladen zijn scherp. Wees extreem voorzichtig bij het reinigen, smeren en plaatsn of verwijderen van de bladbescherming om persoonlijk letsel te voorkomen.

- Verwijder de batterij voor u onderhouds- of reinigingswerken uitvoert.
- U kunt de afstellingen en reparaties die in deze gebruiksaanwijzing worden vermeld, uitvoeren. Voor andere herstellingen, neemt u contact op met uw geautoriseerd onderhoudsagent.
- Reinig na elk gebruik het lichaam en de handvaten van het product met een zachte doek.
- Verwijder na elk gebruik het afval van de bladen met een stijve borstel en breng dan voorzichtig een tegen roest beschermend smeermiddel aan voordat u de bladbescherming weer terugplaatst. Gebruik de aangewezen preventieve roest- en smeerspray. Wees voorzichtig om contact met het blad te vermijden wanneer u een gelijkmatige laag smeermiddel aanbrengt. Ga voor informatie over een geschikte spray naar uw plaatselijke bevoegde onderhoudscentrum.
- U kunt zo nodig de bladen licht smeren voor elk gebruik door de bovenstaande methode te gebruiken.
- Controleer regelmatig of alle moeren, bouten en vijzen goed zijn vastgemaakt om zeker te zijn dat het product veilig kan worden gebruikt. Een beschadigd onderdeel moet door een geautoriseerd onderhoudscentrum goed worden gerepareerd of vervangen.

RESTRISCO'S

Zelfs als de machine zoals voorgeschreven wordt gebruikt, is het onmogelijk om bepaalde restrisco's te vermijden. De volgende gevaren kunnen zich voordoen tijdens het gebruik en de gebruiker dient in het bijzonder aandacht te hebben om de volgende situaties te vermijden:

- De zaagbladen kunnen tijdens het zagen niet worden beveiligd. Contact met de zaagbladen kan ernstige letsels veroorzaken. Houd het zaagblad weg van uzelf en anderen. Bedek met de zaagbladbeschermer wanneer u niet snoeit.
- Letsels veroorzaakt door trillingen. Gebruik altijd het juiste gereedschap voor de taak, gebruik de toegewezen handvaten en beperk de gebruikstijd en blootstelling.
- Blootstelling aan geluid kan gehoorletsels veroorzaken. Draag gehoorbescherming en beperk de blootstelling.

RISICOBEPERKING

Er zijn meldingen dat trillingen van handwerktuigen bij sommige mensen bijdragen tot het Syndroom van Raynaud. Symptomen kunnen ondermeer tintelingen, gevoelloosheid en bleek worden van de vingers omvatten, wat normaal gezien duidelijk wordt bij blootstelling aan koude. Erfelijke factoren, blootstelling aan koude en vocht, dieet, roken en werkroutine kunnen allemaal bijdragen tot de ontwikkeling van deze symptomen. Er kunnen door de bediener maatregelen worden genomen om de gevolgen van de trillingen te beperken:

- Houd bij koud weer uw lichaam warm. Draag handschoenen wanneer u de machine gebruikt om handen en polsen warm te houden. Men neemt aan dat koud weer een belangrijke factor is die bijdraagt tot het Syndroom van Raynaud.
- Doe oefeningen om de bloeddoorstroming te bevorderen na elke periode van gebruik.
- Neem regelmatig een pauze. Beperk het aantal uren dat u per dag wordt blootgesteld.

Wanneer u enige van de symptomen van deze aandoening ervaart, stop dan onmiddellijk met het gebruik van het toestel en raadpleeg uw dokter

⚠ WAARSCHUWING

Letsels kunnen worden veroorzaakt of ernstiger worden door verlengd gebruik van een werktuig. Als u een werktuig gedurende langere periodes gebruikt, neem dan regelmatig pauze.

KEN UW PRODUCT

Zie pagina 125.

1. Zaagblad
2. Draaiknop
3. Verlengpaal
4. Schachtkoppeling
5. Harnashanger
6. Voorste handgreep
7. Gashendelontgrendeling
8. Aan-/uitknop
9. HedgeSweep™ afvalveger
10. Zaagschede
11. Harnas
12. Accu
13. Batterijvergrendelknop
14. Lader

SYMBOLEN OP HET PRODUCT



Waarschuwing



Lees en begrijp alle instructies voor u het product bedient, volg alle waarschuwingen en veiligheidsinstructies.



Draag gezichts-, gehoor- en hoofdbescherming.

- EN
- FR
- DE
- ES
- IT
- NL**
- PT
- DA
- SV
- FI
- NO
- RU
- PL
- CS
- HU
- RO
- LV
- LT
- ET
- HR
- SL
- SK
- BG
- UK





Draag anti-slipschoeisel wanneer u het product gebruikt.



Draag zware, antislip handschoenen.



Stel niet bloot aan regen of vocht.



Trekken: Snelle ontgrendeltab



Scherpe zaagbladen Om ernstige letsels te voorkomen, raakt u de zaagbladen niet aan.



Elektrisch gevaar. Houd tenminste 10m afstand van overhangende leidingen.



Houd rekening met weggeslingerde of rondvliegende voorwerpen. Zorg dat omstanders, in het bijzonder kinderen en huisdieren, minstens 15 meter verwijderd blijven van de plek waar u werkt.



Elektrisch afval mag niet samen met ander huishoudafval worden weggegooid. Gelieve te recycleren indien de mogelijkheid bestaat. Neem contact op met uw lokaal bestuur of handelaar om advies te krijgen over recyclage.



Dit apparaat voldoet aan alle geldende normen van Lid-Staat van de Europese Unie waar het werd gekocht.



EurAsian-symbool van overeenstemming



Oekraïens conformiteitssymbool



Het gegarandeerd geluidsniveau bedraagt 95 dB.

ICONEN IN DEZE GEBRUIKSAANWIJZING



Onderdelen of accessoires afzonderlijk verkocht



OPMERKING



Waarschuwing!

De volgende kernwoorden en verklaringen zijn bedoeld om de gevaarniveaus die op dit toestel betrekking hebben, te

verklaren.

GEVAAR

Wijst op een gevaarlijke situatie die, als ze niet wordt voorkomen, dodelijk kan zijn of ernstige verwondingen kan veroorzaken.

WAARSCHUWING

Wijst op een mogelijk gevaarlijke situatie die, als ze niet wordt voorkomen, dodelijk kan zijn of ernstige verwondingen kan veroorzaken.

LET OP

Wijst op een mogelijk gevaarlijke situatie die, als ze niet wordt voorkomen, kleine of middelmatige verwondingen kan veroorzaken.

LET OP

Zonder veiligheidswaarschuwingssymbool

Wijst op een situatie die kan leiden tot materiële schade.



Segurança, desempenho e fiabilidade receberam prioridade de topo na concepção de seu cortador de sebes sem fios.

USO PREVISTO

O aparelho só foi desenhado para ser utilizado no exterior por um único operador que se encontre numa posição estável em terra firme. Por razões de segurança, o aparelho tem que ser adequadamente controlado através da operação com as duas mãos em todos os momentos.

Este produto é concebido para uso pessoal ou doméstico. É concebida para cortar e aparar pontas, arbustos e vegetação similar. O aparelho foi desenhado para estender até um máximo de 2.93 m.

Não ultrapasse este comprimento de trabalho.

Deve ser usada num local seco e bem iluminado.

NÃO se destina a cortar relva, árvores ou ramos. Não deve ser usada para qualquer outro fim que não seja aparar pontas.

AVISOS GERAIS DE SEGURANÇA

⚠ ADVERTÊNCIA

Leia todos os avisos de segurança e todas as instruções. O facto de não seguir os avisos e as instruções pode conduzir a choque eléctrico, fogo e/ou lesão grave.

Conserve estas advertências e instruções para que possa consultá-las mais tarde.

O termo "ferramenta eléctrica" nos avisos refere-se à ferramenta operada através de ligação à rede eléctrica (com fios) ou à ferramenta operada através de bateria (sem fios).

AMBIENTE DE TRABALHO

- **Mantenha a área de trabalho limpa e bem iluminada.** As áreas desordenadas ou escuras são um convite para acidentes.
- **Não opere ferramentas eléctricas em atmosferas explosivas, tais como na presença de líquidos inflamáveis, gases ou poeira.** As ferramentas eléctricas criam faíscas que podem causar a inflamação de poeiras ou vapores.
- **Ao operar esta ferramenta eléctrica, mantenha as crianças e as pessoas presentes afastadas.** Distracções podem fazer com que perca o controlo.

SEGURANÇA ELÉCTRICA

- **As fichas eléctricas da ferramenta têm de corresponder à tomada. Nunca altere a ficha seja de que maneira for. Não use quaisquer fichas adaptadoras com ferramentas de ligação com terra.** As fichas não modificadas e tomadas compatíveis reduzirão o risco de choque eléctrico.
- **Evite o contacto do corpo com superfícies com ligação terra ou enterradas, tais como tubos, radiadores, fogões e frigoríficos.** Há um aumento do risco de choque eléctrico se o seu corpo estiver ligado

à terra.

- **Não exponha este produto à chuva ou humidade elevada.** A entrada de água na ferramenta eléctrica aumentará o risco de choque eléctrico.
- **Não abuse do cabo de alimentação. Nunca use o cabo para carregar, puxar ou retirar a ficha da ferramenta da tomada. Mantenha o cabo afastado do calor, óleo, pontas afiadas ou peças móveis.** Os cabos danificados ou emaranhados aumentam o risco de choque eléctrico.
- **Ao operar uma ferramenta eléctrica ao ar livre, use um cabo de extensão apropriado para o uso ao ar livre.** A utilização de um cabo apropriado para o uso ao ar livre reduz o risco de choque eléctrico.
- **Se operar uma ferramenta eléctrica num local húmido é inevitável, use uma fonte com protecção de dispositivo de corrente residual (RCD).** O uso de um RCD reduz o risco de choque eléctrico.

SEGURANÇA PESSOAL

- **Ao operar esta ferramenta eléctrica, permaneça alerta, tenha em atenção ao que está a fazer e use o bom senso. Não utilize a ferramenta eléctrica quando se sentir cansado ou se se encontrar sob a influência de drogas, álcool ou medicamentos.** Um momento de desatenção enquanto opera estas ferramentas eléctricas pode resultar em ferimentos graves.
- **Utilizar equipamento de protecção. Use sempre protecção para os olhos.** O equipamento de protecção tal como a máscara contra pó, calçado antiderrapante de segurança, capacete, ou protecção para os ouvidos, usado para condições apropriadas irá reduzir a probabilidade de ferimentos.
- **Evite o arranque involuntário. Assegure-se de que o interruptor se encontra na posição de desligado antes de o ligar à fonte de energia e/ou bateria, levantando ou transportando a ferramenta.** Transportar ferramentas eléctricas com o seu dedo no interruptor ou ligar à corrente ferramentas eléctricas que têm o interruptor ligado são um convite a acidentes.
- **Remova qualquer chave de ajuste antes de ligar a ferramenta eléctrica.** Uma chave-inglesa ou uma chave colocada numa peça móvel da ferramenta eléctrica pode causar lesões pessoais.
- **Não se aproxime em demasia. Fique sempre bem apoiado nas pernas e não estique demasiado o braço.** Isto possibilita um melhor controlo da ferramenta eléctrica em situações inesperadas.
- **Use roupas adequadas. Não use roupa larga ou acessórios de jóias. Mantenha o seu cabelo, roupa e luvas longe das peças móveis.** A roupa larga, jóias ou cabelo comprido podem ficar presos nas peças móveis.
- **Se são fornecidos os dispositivos para a ligação de espaços de extracção e recolha de pó, assegure-se de que estes se encontram conectados e usados correctamente.** A utilização de um colectador de pó pode reduzir os perigos relacionados com o pó.





UTILIZAÇÃO E MANUTENÇÃO DA FERRAMENTA ELÉCTRICA

- **Não force o produto. Use a ferramenta eléctrica correcta para a sua aplicação.** A ferramenta fará o seu trabalho melhor e de forma mais segura trabalhando ao ritmo para que foi concebida.
- **Não use uma ferramenta caso o interruptor não ligue e desligue a ferramenta eléctrica correctamente.** Qualquer ferramenta eléctrica que não possa ser controlada com o interruptor é perigosa e deve ser reparada.
- **Desligue a ficha da alimentação eléctrica e/ou a bateria da ferramenta antes de proceder a quaisquer ajustes, mudança de acessórios ou de armazenar ferramentas eléctricas.** Estas medidas de segurança preventivas reduzem o risco de arranque acidental da ferramenta eléctrica.
- **Armazene as ferramentas eléctricas fora do alcance das crianças e não permita que pessoas não familiarizadas com a ferramenta eléctrica ou com estas instruções utilizem a ferramenta eléctrica.** As ferramentas eléctricas são perigosas nas mãos de utilizadores inexperientes.
- **Realize a manutenção das ferramentas eléctricas. Verifique se existe desalinhamento ou emperramento das peças móveis, ruptura das peças e qualquer outra condição que possa ter afectado o funcionamento da ferramenta eléctrica. Se danificado, mande a ferramenta eléctrica ser reparada antes de a utilizar.** Muitos acidentes são causados por ferramentas eléctricas com fracas manutenções.
- **Mantenha as ferramentas de corte afiadas e limpas.** É menos provável que as ferramentas de corte com uma correcta manutenção e com pontas de corte afiadas fiquem presas e são mais fáceis de controlar.
- **Utilize a ferramenta, acessórios, peças eléctricas, etc., de acordo com estas instruções, tendo em conta as condições de trabalho e o trabalho que se vai realizar.** O uso da ferramenta eléctrica para as operações diferentes daquelas a que se destina podem causar uma situação perigosa.

UTILIZAÇÃO E MANUTENÇÃO DA BATERIA

- **Recarregue apenas com o carregador especificado pelo fabricante.** Um carregador que seja adequado para um tipo de bateria pode causar risco de incêndio, quando utilizado com outra bateria.
- **Use ferramentas eléctricas somente com baterias especificamente concebidas.** O uso de qualquer outro tipo de bateria pode causar risco de lesões e incêndio.
- **Quando a bateria não estiver a ser utilizada, mantenha-a afastada de outros objectos metálicos como clipes de papel, moedas, chaves, pregos, parafusos, ou outros pequenos objectos metálicos que podem fazer a ligação de um terminal para outro.** Ligar os terminais da bateria em conjunto pode causar queimaduras ou um incêndio.
- **Sob circunstâncias abusivas, o líquido pode ser ejectado da bateria, evite o contacto. Se o**

contacto ocorrer acidentalmente, limpe com água abundante. Se o líquido entrar em contacto com os olhos, procure adicionalmente assistência médica. O líquido ejectado da bateria pode causar irritação ou queimaduras.

MANUTENÇÃO

- **A manutenção da sua ferramenta eléctrica deve ser efectuada por uma pessoa qualificada para reparações, utilizando apenas peças de substituição idênticas.** Isto assegurará que a segurança da ferramenta eléctrica é mantida.

ALERTAS DE SEGURANÇA DO CORTA-SEBES TELESCÓPICO

- **Mantenha todas as partes do corpo afastadas da lâmina de corte.** Um momento de desatenção enquanto opera o produto pode resultar em ferimentos graves.
- **Leve o corta-sebes telescópico pelo cabo com a lâmina parada. Quando transportar ou guardar o corta-sebes telescópico, coloque sempre a cobertura do dispositivo de corte.** Um manuseamento adequado do corta-sebes telescópico reduzirá possíveis ferimentos causados pelas lâminas de corte.
- **Segure na ferramenta apenas pela pega isolante, uma vez que a lâmina de corte pode conter fios ocultos.** As lâminas de corte que entrem em contacto com um cabo com corrente podem fazer com que as peças metálicas da ferramenta eléctrica conectada fiquem expostas, o que poderia provocar um choque eléctrico para o operador.

AVISOS DE SEGURANÇA ADICIONAIS

- **Desimpeça a área onde pretende trabalhar antes de cada utilização.** Retire todos os objetos, cabos, luzes, arames ou correntes que possam lançar ou encravar nas partes cortantes.
- **Tenha cuidado com os objetos que são atirados; mantenha todos os transeuntes, crianças e animais afastados pelo menos 15 m da zona de trabalho.**
- **Verifique constantemente que não há pessoas ou animais atrás ou dentro de cada sebe ou arbusto que vai podar.**
- **Não utilize esta ferramenta numa zona com pouca luz.** O operador necessita de uma visão clara da área de trabalho para identificar potenciais perigos.
- **Inspeccione a máquina antes de cada uso.** Verifique que não há peças de fixação soltas, assegure-se de que todas as proteções e cabos estão bem fixos. Substitua qualquer peça danificada antes da utilização.
- **Não realize nenhum tipo de modificação à máquina.**
- **Não permita que crianças ou indivíduos inexperientes entrem em contacto com este produto.**
- **Use óculos de protecção total para os olhos e ouvidos ao utilizar este produto.** Ao trabalhar numa área onde haja um risco de queda de objectos, tem que se usar uma protecção para a cabeça.





- Use luvas, botas e calças resistentes. Não utilize roupa larga, calções, joias nem utilize com os pés descalços.
- Prenda o cabelo comprido para que fique acima do nível dos ombros para evitar que fique emaranhado em quaisquer peças móveis.
- Não opere esta unidade se estiver cansado ou sob a influência de drogas, álcool ou medicamentos.
- Mantenha-se bem apoiado e equilibrado. Não se aproxime em demasia. Um sobre-esforço pode dar lugar à perda do equilíbrio e a lesões graves.
- Antes de arrancar a máquina, assegure-se de que as lâminas de corte não entram em contacto com nenhum objeto.
- Certifique-se de que a máquina está correctamente situada numa posição de trabalho adequado antes de iniciar a máquina.
- Quando manipular um corta-sebes telescópico, segure-o firmemente com ambas mãos através das suas asas e assegure-se de que a posição de funcionamento é segura. O fabricante não recomenda o uso de degraus ou escadas.
- Utilize o arnês, se vier incluído no corta-sebes telescópico. Ajudará a suportar o peso do aparelho enquanto o usa e enquanto muda de uma posição para outra. Ajuste com cuidado o arnês para ajustá-lo de maneira que se sinta cómodo.
- Identifique o mecanismo de libertação rápida e pratique utilizando-o antes de começar a usar a máquina. A sua utilização correta pode prevenir lesões graves em caso de uma emergência. Nunca use roupas adicionais sobre o arnês nem restrinja, de outro modo, o acesso ao mecanismo de libertação rápida.
- Para evitar electrocutar-se, não utilize o aparelho a menos de 10 m das linhas de alta voltagem por cima da cabeça.
- Nunca utilize o corta-sebes telescópico perto de vaías, postes, edifícios ou outros objetos fixos.
- As lâminas são afiadas. Ao segurar o conjunto da lâmina, use luvas protetoras reforçadas anti-deslizantes. Não coloque as suas mãos ou dedos entre as lâminas nem em nenhuma posição onde possam ficar atacadados ou ser cortados. Nunca toque na lâmina nem efetue manutenção no aparelho sem primeiro retirar a bateria.
- Desligue e retire a bateria antes de:
 - ajustamento da posição de trabalho do dispositivo de corte
 - limpeza e desobstrução de bloqueio
 - deixar o produto sem vigilância
 - verificar, fazer a manutenção ou funcionar com o produto
- Não force o cortador de sebes introduzindo-o em arbustos muito pesados. Isto pode fazer com que as lâminas prendam e abrandem. Se as lâminas abrandarem, reduza o ritmo.
- Não tente cortar caules ou galhos com espessura superior a 18 mm, ou daqueles que são claramente demasiado grandes para passarem pela lâmina de corte. Use uma serra manual não motorizada ou uma

serra de desbaste para aparar os caules maiores.

- O uso da protecção auditiva reduz a sua capacidade de ouvir avisos (gritos ou alarmes). O operador deve prestar atenção extra àquilo que está a acontecer na área de trabalho.
- Não opere o corta-sebes telescópico com lâminas danificadas ou excessivamente gastas.
- Tenha sempre em atenção aquilo que o rodeia e fique alerta para possíveis perigos que poderá não ouvir devido ao ruído da máquina.

⚠ ADVERTÊNCIA

Se a máquina cair, sofrer um impacto pesado ou começar a vibrar anormalmente, pare a máquina de imediato e verifique se existem danos ou identifique a causa da vibração. Qualquer dano deve ser devidamente reparado ou substituído por um centro de assistência autorizado.

⚠ ADVERTÊNCIA

Antes de cada uso e em intervalos frequentes, verifique que todos os acoplamentos do eixo da vara telescópica e da ferramenta estão bem apertados.

TRANSPORTE E ARMAZENAMENTO

- Pare o produto, retire a bateria e deixe que ambos arrefeçam antes de guardar ou de transportar.
- Limpe todos os materiais estranhos do produto. Guarde-o num local fresco e seco e bem ventilado a que as crianças não consigam aceder. Por motivos de segurança extra, armazene a bateria num local diferente do produto. Mantenha-o afastado de substâncias corrosivas, tais como produtos químicos utilizados em jardinagem e sais de descongelação. Não armazenar ao ar livre.
- Cubra a lâmina com a devida protecção antes de a guardar, ou durante o transporte da mesma.
- Para transportar, prenda o aparelho de modo a evitar que este se mova ou caia, para evitar lesões ou danos no produto.

MANUTENÇÃO

⚠ ADVERTÊNCIA

Utilize apenas peças de substituição, acessórios e encaixes do fabricante original. A inobservância desta indicação pode causar um fraco desempenho, possíveis lesões e poderá anular a sua garantia.



ADVERTÊNCIA

Os serviços de manutenção requerem extremo cuidado e conhecimentos e devem apenas ser realizado por um técnico de assistência qualificado. Para assistência, sugerimos que devolva o produto ao seu centro de assistência autorizado mais próximo para reparação. Ao realizar serviços de manutenção, use apenas peças de substituição idênticas.

ADVERTÊNCIA

As lâminas estão afiadas. Para evitar lesões pessoais, tenha muito cuidado ao limpar, lubrificar e montar ou desmontar o protetor da lâmina.

- Remova a bateria antes de efetuar uma manutenção ou limpeza.
- Pode realizar os ajustes e reparações descritos neste manual do utilizador. Para outro tipo de reparações entre em contacto com um agente de serviço autorizado.
- Após cada utilização, limpe a estrutura e as pegas do aparelho com um pano seco e macio.
- Após cada utilização, limpe os detritos das lâminas com uma escova dura e, em seguida, aplique cuidadosamente um lubrificante que previne a ferrugem antes de voltar a colocar o protetor de lâmina. Utilize a oxidação recomendada preventiva e lubrificante em spray. Tenha cuidado para evitar o contacto com a lâmina quando se aplica uma distribuição uniforme do lubrificante. Para mais informações sobre o produto pulverizador apropriado, verifique com o seu centro de assistência autorizado local.
- Poderá desejar lubrificar as lâminas ligeiramente antes da utilização, se necessário, usando o método acima.
- Verifique todas as porcas, pregos e parafusos com intervalos frequentes para confirmar a tensão apropriada e se certificar que o produto está em condições seguras de funcionamento. Qualquer peça danificada deve ser substituída ou reparada adequadamente por um centro de serviço autorizado.

RISCOS RESIDUAIS:

Mesmo quando a máquina é usada conforme prescrito, ainda é impossível eliminar completamente determinados factores de risco residuais. Os seguintes perigos podem surgir na utilização e o operador deve prestar especial atenção para evitar o seguinte:

- As lâminas não podem estar protegidas enquanto estão a cortar. O contacto com as lâminas pode causar lesões graves. Mantenha a lâmina afastada de si e dos outros. Cubra-as com o protetor de lâminas sempre que não estiver a cortar.
- Lesões por vibração. Use sempre a ferramenta certa para o trabalho, use pegas concebidas e restrinja o tempo e exposição de trabalho.
- A exposição ao ruído pode provocar perda de audição. Use proteção para os ouvidos e limite o tempo de exposição.

REDUÇÃO DO RISCO

Foi reportado que as vibrações das ferramentas de mão podem contribuir para uma doença designada de Síndrome de Raynaud em determinados indivíduos. Os sintomas podem incluir formigueiro, entorpecimento e empalidezimento dos dedos, habitualmente visível aquando da exposição ao frio. Estima-se que os factores hereditários, exposição ao frio e humidade, dieta, tabagismo e práticas de trabalho contribuem todos para o desenvolvimento destes sintomas. Existem medidas que podem ser tomadas pelo operador para possivelmente reduzir os efeitos da vibração:

- Mantenha o seu corpo quente durante o tempo frio. Ao operar a unidade, use luvas para manter as mãos e os pulsos quentes. Encontra-se reportado que o tempo frio é um grande factor que contribui para o Síndrome de Raynaud.
- Após cada período de operação, exercite para aumentar a circulação sanguínea.
- Faça pausas frequentes no trabalho. Limite o tempo de exposição por dia.

Caso sinta algum dos sintomas desta doença, interrompa de imediato a sua utilização e consulte o seu médico sobre estes sintomas.

ADVERTÊNCIA

O uso prolongado de uma ferramenta pode causar o agravar lesões. Ao usar qualquer ferramenta durante períodos prolongados, assegure-se que faz intervalos regulares.

CONHEÇA O SEU APARELHO

Ver a página 125.

1. Lâmina
2. Botão de fuso
3. Barra extensora
4. Acoplamento do eixo
5. Suporte do amês
6. Empunhadura frontal
7. Libertador do actuador
8. Interruptor de ligar e desligar (On/Off)
9. Varredor de detritos HedgeSweep™
10. Bainha
11. Amês
12. Bateria
13. Botão de fixação da bateria
14. Carregador

SÍMBOLOS NO PRODUTO



Aviso



Leia e compreenda todas as instruções antes de manipular o produto, respeite os alertas e as instruções de segurança.



Coloque proteção para olhos, ouvidos e cabeça.



Utilize calçado de segurança antideslizante quando utilizar este produto.



Use luvas de trabalho resistentes, antideslizantes.



Não o exponha à chuva ou a condições de humidade.



Puxar: Guia de libertação rápida



Lâminas de corte afiadas. Para prevenir lesões graves, não toque nas lâminas de corte



Perigo eléctrico. Mantenha-se, pelo menos, a 10 m dos cabos situados acima.



Tenha cuidado com os objectos voláteis ou lançados. Mantenha os visitantes e especialmente as crianças e os animais, a uma distância de pelo menos 15 m da zona de corte.



Os aparelhos eléctricos antigos não devem ser eliminados juntamente com o lixo doméstico. Recicle onde existem instalações para o efeito. Verifique com as suas Autoridades Locais ou revendedor para obter informações sobre reciclagem.



Esta ferramenta obedece a todas as normas regulamentares do país da UE onde foi comprada.



Marca de conformidade EurAsian



Marca de conformidade ucraniana



O nível de potência sonora garantido é de 95 dB.



Advertência!

As seguintes palavras de sinal e significados destinam-se a explicar os níveis de risco associados a este produto.

⚠ PERIGO

Indica uma situação perigosa iminente, que, se não evitada, poderá resultar em morte ou ferimentos graves.

⚠ ADVERTÊNCIA

Indica uma situação potencialmente perigosa, que, se não evitada, poderá conduzir à morte ou graves lesões.

⚠ ADVERTÊNCIA

Indica uma situação potencialmente perigosa, que, se não evitada, poderá resultar em pequenas ou moderadas lesões.

ADVERTÊNCIA

Sem símbolo de alerta de segurança

Indica uma situação que pode resultar em danos de propriedade.

- EN
- FR
- DE
- ES
- IT
- NL
- PT**
- DA
- SV
- FI
- NO
- RU
- PL
- CS
- HU
- RO
- LV
- LT
- ET
- HR
- SL
- SK
- BG
- UK

ÍCONES NESTE MANUAL



As peças ou acessórios vendem-se separadamente



NOTA

Sikkerhed, ydelse og driftssikkerhed har fået topprioritet i designet af din ledningsfri stanghækkeklipper.

TILTÆNKT ANVENDELSESFORMÅL

Produktet er kun beregnet til udendørs brug, betjent af en enkelt operatør, som står på et fast, solidt underlag. Af sikkerhedshensyn skal produktet altid kontrolleres omhyggeligt ved at fastholde det med begge hænder.

Dette produkt er beregnet til privat eller hjemlig brug. Det er beregnet til at klippe og trimme hække, buske og lignende vegetation. Produktet er designet til at kunne forlænges til en max længde på 2.93 m.

Denne arbejds længde må ikke overskrides.

Bør anvendes under tørre, godt oplyste forhold.

Det er IKKE beregnet til klipning af græs, træer eller grene. Det bør ikke bruges til andre formål end hækkeklipping.

GENERELLE SIKKERHEDSADVARSLER

⚠ ADVARSEL

Alle sikkerhedsadvarsler og alle anvisninger skal læses. Manglende overholdelse af advarselne og anvisningerne kan medføre elektrisk stød, brand og/eller alvorlige personskader.

Gem vejledningen med advarsler og anvisninger til senere oplag.

Med udtrykket "elværktøj" i advarselne henvises til dit lysnet-drevne (via ledning) elværktøj eller batteridrevne (ledningsfri) elværktøj.

ARBEJDSOMGIVELSER

- **Hold arbejdsområdet rent og godt oplyst.** Rodede eller mørke områder inviterer til ulykker.
- **Brug ikke elværktøjer i eksplosive omgivelser som fx i nærheden af brandbar væske, gas eller støv.** Elværktøjer udløser gnister, som kan antænde støvet eller dampene.
- **Der må ikke være børn og tilskuere i nærheden, når et elværktøj anvendes.** Distractioner kan medføre, at du mister kontrollen.

ELEKTRISK SIKKERHED

- **Elværktøjets elstik skal passe til elnetkontakten.** Elstikket må aldrig modificeres på nogen som helst måde. Undlad brug af adapterstik til jordede (stelforbundne) elværktøjer. Umodificerede elstik og passende elnetkontakter reducerer faren for elektrisk stød.
- **Undgå kropskontakt med jordede eller stelforbundne overflader som fx rør, radiatorer, komfurer og køleskabe.** Der er forøget risiko for elektrisk stød, hvis din krop er forbundet med jord eller stel.
- **Dette produkt må ikke udsættes for regn eller fugt.** Hvis der trænger vand ind i et elværktøj, øges faren for elektrisk stød.
- **Undlad at misbruge ledningen.** Ledningen må aldrig

bruges til at bære eller trække i elværktøjet eller til at trække stikket ud. Ledningen må ikke komme i nærheden af varme, olie, skarpe kanter eller bevægelige dele. Beskadede eller sammenfiltrede ledninger øger faren for elektrisk stød.

- **Når et elværktøj anvendes i det fri, skal der bruges en forlængerledning, der er egnet til udendørs brug.** Brug af ledninger beregnet til udendørs brug reducerer faren for elektrisk stød.
- **Hvis man er nødt til at bruge et elværktøj i fugtige omgivelser, skal strømforsyningen have en fejlstrømsafbryder (RCD-afbryder).** Brug af fejlstrøms sikring reducerer faren for elektrisk stød.

PERSONLIG SIKKERHED

- **Når man bruger et elværktøj, skal man være agtpågivende, iagttage hvad man gør og bruge sund fornuft. Undlad at bruge et elværktøj, hvis du er træt eller påvirket af narkotika, alkohol eller medikamenter.** Et øjeblik uopmærksomhed under brug af motoriserede værktøjer kan medføre alvorlige personskader.
- **Brug personlige værnemidler. Brug altid øjenværn.** Værnemidler som fx støvmaske, skridfast sikkerhedsfodtøj, hjelm eller høreværn anvendt korrekt i forhold til de givne forhold reducerer faren for personskader.
- **Forebyg utilsigtet start. Kontrollér, at kontakten er i pos. OFF (=slukket), inden værktøjet sluttes til strømkilde og/eller batteri, samles op eller bæres.** At bære elværktøjer med fingeren på kontakten eller at slutte strøm til elværktøjer med tændt kontakt er at invitere til ulykker.
- **Fjern evt. skruenøgler, inden der tændes for elværktøjet.** En efterladt skruenøgle fastgjort til en roterende del af elværktøjet kan medføre personskader.
- **Overstræk ikke. Sørg for altid at have godt fodfæste og god balance.** Dette giver bedre kontrol over elværktøjet i uventede situationer.
- **Vær ordentligt klædt på. Bær ikke løftsiddende tøj eller smykker.** Sørg for, at hår, tøj og handsker ikke kommer i nærheden af bevægelige dele. Løstsiddende tøj, smykker eller langt hår kan hænge fast i bevægelige dele.
- **Hvis der findes anordninger for tilslutning af støvudsugnings- og -opsamlingsudstyr, skal disse tilsluttes og anvendes korrekt.** Brug af støvopsamling kan reducere støvrelaterede faremomenter.

BRUG OG PLEJE AF ELVÆRKTØJ

- **Undlad at tvinge produktet. Brug elværktøjet til det tiltænkte anvendelsesformål.** Det korrekte elværktøj klarer opgaven bedre og sikrer med den hastighed, det er designet til.
- **Elværktøjet må ikke tages i brug, hvis TÆND/SLUK-kontakten ikke virker.** Et elværktøj, der ikke kan kontrolleres med TÆND/SLUK-kontakten, er farligt og skal repareres.
- **Inden udførelse af justeringer, udskiftning af tilbehør eller opbevaring af elværktøjer skal elstikket trækkes ud af elnetkontakten, og/**



eller batteriet skal tages ud af elværktøjet. Disse forebyggende sikkerhedsforanstaltninger reducerer faren for utilsigtet start af elværktøjet.

- Når elværktøjer ikke bruges, skal de opbevares utilgængeligt for børn; personer, som ikke er fortrolige med elværktøjet eller denne brugsanvisning, må ikke anvende elværktøjet. Elværktøjer er farlige i hænderne på ukyndige brugere.
- Elværktøjer skal vedligeholdes. Kontrollér, om der er forkert indjusterede eller forbundne bevægelige dele, afbrækkede dele samt andre tilstande, som kan påvirke elværktøjets funktionsmåde. Hvis der konstateres skader, skal elværktøjet repareres inden brug. Mange ulykker skyldes dårligt vedligeholdte elværktøjer.
- Skærende værktøjer skal holdes skarpe og rene. Korrekt vedligeholdte skærende værktøjer med skarpe skær er mindre tilbøjelige til at binde/blokere og er lettere at kontrollere.
- Brug elværktøjet, tilbehøret og værktøjs-bits osv. som foreskrevet i denne brugsanvisning, og tag højde for arbejdsforholdene og den aktuelle arbejdsopgave. Brug af elværktøjet i strid med de tiltænkte anvendelsesformål kan medføre farlige situationer.

BRUG OG PLEJE AF BATTERIVÆRKTØJ

- Opladning må kun finde sted med den af producenten foreskrevne oplader. En oplader, der er beregnet til én type batteri, kan udgøre en brandsikro, hvis den bruges til en anden batteritype.
- Brug kun elværktøjer sammen med specifikt godkendte batterier. Brug af andre batterityper kan medføre fare for personskade og brand.
- Når batteriet ikke bruges, må det ikke opbevares sammen med metalgenstande som fx papirclips, mønter, nøgler, søm, skruer eller andre metalgenstande, som kan skabe forbindelse mellem batteriets poler. Hvis batteriets poler kortsluttes, kan det forårsage forbrændinger eller ildebrand.
- Hvis batteriet misbruges, kan der sprøjte væske ud af det; undgå kontakt med batterivæsken. Ved kontakt med batterivæsken skylles med vand. Hvis der kommer væske i øjnene, søges desuden læge. Udsprøjtet batterivæske kan forårsage irritation eller forbrændinger.

VEDLIGEHOLDELSE

- Sørg for, at elværktøjet serviceres af en kvalificeret reparatør, som kun benytter sig af originale reservedele. Herved garanteres sikkerheden for elproduktet.

SIKKERHEDSADVARSLER VEDR. STANGHÆKKEKLIPPER

- Hold alle legemsdele på afstand af kniven. Et øjeblik uopmærksomhed under anvendelse af produktet kan medføre alvorlige personskader.
- Bær stanghækkeklipperen i håndtaget, mens kniven er standset. Når stanghækkeklipperen transporteres

eller opbevares, skal man altid påsætte skeden. Korrekt håndtering af stanghækkeklipperen nedsætter faren for personskader i forbindelse med knivene.

- Elværktøjet må kun holdes i de isolerede gribeblader, da klinger kan komme i kontakt med skjulte ledninger. Klinge, som kommer i kontakt med en strømførende ledning, kan gøre udsatte metaldele på elværktøjet strømførende og kan give operatøren elektrisk stød.

EKSTRA SIKKERHEDSADVARSLER

- Ryd arbejdsområdet inden hver ibrugtagning. Fjern alle objekter som fx ledninger, lamper, kabler eller snore, som kan blive udslynget eller viklet ind i knivene.
- Pas på udslyngede genstande; hold alle tilskuere, børn og kæledyr mindst 15 m væk fra arbejdsområdet.
- Man skal hele siden sikre sig, at der ikke er personer eller dyr bag ved eller inde i den hæk eller busk, der skal klippes.
- Må ikke anvendes under dårlige lysforhold. Operatøren skal have tydeligt overblik over arbejdsområdet, så han/hun kan identificere evt. faremomenter.
- Husk altid at inspicere maskinen inden brug. Kontrollér for løse fastgørelseselementer og at alle skærme og håndtag er fastgjort ordentligt og sikkert. Udskift evt. beskadigede dele inden brug.
- Maskinen må ikke ændres på nogen måde.
- Lad ikke børn eller uskolede personer bruge dette produkt.
- Benyt fuldt øjen- og høreværn under arbejde med dette produkt. Hvis der arbejdes i et område med fare for nedfaldende genstande, skal der bæres hovedværn.
- Bær kraftige, lange bukser, støvler og handsker. Undlad at bære løstsiddende tøj, korte bukser, smykker af enhver art eller gå barfodet.
- Langt hår skal bindes op over skulderniveau, så det ikke risikerer at vikle sig ind i bevægelige dele.
- Undlad at bruge dette produkt, hvis du er træt, syg eller påvirket af alkohol, narkotika eller medikamenter.
- Hold et godt fodfæste og balance. Overstræk ikke. Ved at læne sig for langt frem risikerer man at miste balancen og øge risikoen for alvorlige personskader.
- Inden man starter maskinen, skal man sikre sig, at klippeknivene ikke kommer i kontakt med noget.
- Kontrollér, at maskinen er korrekt anbragt i en foreskrevet arbejdsposition, inden maskinen startes.
- Når man benytter stanghækkeklipperen, skal man altid holde den godt fast med begge hænder og sørge for at stå i en sikker og bekvem arbejdsstilling. Producenten anbefaler ikke, at man benytter skamler eller stiger.
- Hvis der medfølger sele, skal man benytte denne sammen med stanghækkeklipperen. Den bidrager også til at understøtte produktets vægt under brug samt ved flytning mellem klippepositioner. Selen skal indjusteres, så den sidder komfortabelt.
- Lokalisér hurtigudløsningsmekanismen, og øv dig i at bruge denne, inden du tager maskinen i brug. Korrekt brug af denne funktion kan forhindre alvorlige personskader i en nødsituation. Man må aldrig bære

EN
FR
DE
ES
IT
NL
PT
DA
SV
FI
NO
PL
RU
CS
HU
RO
LV
LT
HR
ET
SL
SK
BG
UK



anden beklædning uden på skulderstroppen eller på anden måde begrænse adgangen til den hurtige udløsemekanisme.

- For at undgå elektrisk stød må man ikke benytte produktet inden for 10 m afstand af elektriske luftledninger.
- Brug aldrig stanghækkeklipperen nær hegn, pæle, bygninger eller andre faste genstande.
- Knivene er skarpe. Ved håndtering af knivmodulet skal man benytte skridsikre, kraftige beskyttelseshandsker. Undlad at anbringe hånden eller fingrene mellem knive eller i en position, hvor de kunne blive klemt eller afklippet. Undgå at røre ved kniven eller serviceenheden, før batteriet er taget ud.
- Sluk produktet, og tag batteriet ud inden:
 - justering af klippeudstyrets arbejdsposition
 - rengøre eller fjerne en blokering
 - at efterlade produktet uden opsyn
 - kontrol, vedligeholdelse eller arbejde på produktet.
- Undgå at tvinge hækkeklipperen gennem tæt buskads. Dette kan få knivene til at blokere eller køre langsommere. Hvis knivene kører langsommere, reducerer man bevægelsestempoet.
- Forsøg ikke at klippe stammer eller kviste, der er tykkere end 18 mm, eller som tydeligvis er for tykke til at komme ind i klippekniiven. Brug en manuel håndsav eller beskæringssav til klipping af lange stammer.
- Vær opmærksom på, at høreværn begrænser evnen til at høre advarsler (alarmer eller råb). Operatøren skal være ekstra opmærksom på, hvad der sker i arbejdsområdet.
- Undlad at benytte stanghækkeklipperen med beskadigede eller meget slidte knive.
- Vær altid opmærksom på omgivelserne, og vær årvågen over for mulige faremomenter, som du måske ikke kan høre pga. støjen fra maskinen.

⚠ ADVARSEL

Hvis maskinen tabes, udsættes for stød eller begynder at vibrere unormalt, skal man omgående stoppe den og inspicere den for skader eller lokalisere årsagen til vibrationen. Enhver beskadiget del skal repareres ordentligt eller udskiftes på et autoriseret servicecenter.

⚠ ADVARSEL

Kontrollér inden hver brug, og med hyppige mellemrum, at alle skaftkoblinger på forlængerstang og redskab er forsvarligt fastgjort.

TRANSPORT OG OPBEVARING

- Stop produktet, fjern batteriet, og lad begge dele køle af inden opbevaring eller transport.
- Afrens alle fremmedlegemer fra produktet. Opbevar den på et køligt, tørt og godt ventileret sted utilgængeligt for børn. For at være på den sikre side, skal batteriet opbevares separat fra produktet. Sørg for, at produktet

ikke kommer i nærheden af korrosive stoffer såsom havekemikalier og strøsalt. Må ikke opbevares udenørs.

- Beskyt klingens med klingebeskytteren inden opbevaring af produktet - eller under transport.
- Til transport skal man sikre produktet, så den ikke kan bevæge sig eller vælte; dette for at forebygge personskader eller skader på produktet.

VEDLIGEHOLDELSE

⚠ ADVARSEL

Brug kun originale reservedele, ekstraudstyr og tilbehør fra producenten. I modsat fald er der fare for personskader, dårlig maskinydelse og annullering af garantien.

⚠ ADVARSEL

Vedligeholdelse kræver stor omhyggelighed og viden og kun bør udføres af en kvalificeret tekniker. Vi anbefaler du leverer enheden tilbage til dit nærmeste autoriserede service center til reparation. Skal dele udskiftes må kun identiske reservedele anvendes.

⚠ ADVARSEL

Knivene er skarpe. For at forebygge personskader skal man være ekstremt forsigtig, når man rengør, smører, monterer eller fjerner knivbeskytteren.

- Fjern batteriet, inden der udføres vedligeholdelses- eller rengøringsarbejde.
- Du kan lave justeringer og reparationer beskrevet i denne brugervejledning. Til andre reparationsopgaver skal man kontakte den autoriserede servicemontør.
- Produktlegemet og -håndtagene skal rengøres med en blød klud efter hver brug.
- Efter hver brug skal man fjerne affald fra knivene med en stiv børste og derefter forsigtigt påføre rustbeskyttelsesmiddel, inden man genmonterer knivbeskytteren. Brug den anbefalede rustbeskyttelses- og smørespray. Pas på ikke at komme i kontakt med klingens under påføringen af en jævn smøremiddelfilm. For information mht. passende sprayprodukt henvises til det lokale autoriserede servicecenter.
- Hvis man evt. ønsker at smøre knivene en smule inden brug, skal man følge ovenstående fremgangsmåde.
- Tjek ofte alle møtrikker, bolte og skruer om de sidder godt fast, og sørg for at produktet fungerer ordentligt. Enhver del, som bliver beskadiget, skal repareres ordentligt eller udskiftes på et autoriseret servicecenter.

UUNDGÅELIGE RISICI

Selv om maskinen anvendes som foreskrevet, er det stadig umuligt at eliminere visse uundgåelige risikofaktorer fuldstændigt. Følgende risici kan opstå under brug, og operatøren bør være særligt opmærksom for at undgå følgende:

- Knivene kan ikke beskyttes, mens der skæres. Kontakt med knivene kan forårsage alvorlige personskader. Kniven skal holdes på afstand af én selv og andre. Skal tildækkes med knivbeskytteren, når den ikke anvendes.
- Personskader forårsaget af vibration. Brug altid det rigtige værktøj i forhold til arbejdsopgaven, benyt de hertil indrettede håndtag, og sørg for at begrænse arbejds- og eksponeringstiden.
- Eksponering for støj kan medføre høreskader. Benyt høreværn, og begræns eksponering.

RISIKOREDUKTION

Der er rapporteret om, at vibrationer fra håndholdte værktøjer kan være medvirkende til en lidelse kaldet Raynauds syndrom hos visse personer. Symptomerne herpå kan være prikken, følelsesløshed og blegning af fingrene, der normalt viser sig ved kuldepåvirkning. Faktorer som arvelighed, udsættelse for kulde og fugt, kost, rygning og arbejdsvaner menes alle at medvirke til udviklingen af disse symptomer. Der findes forholdsregler, som operatøren kan træffe for at begrænse påvirkningen fra vibrationer:

- Hold kroppen varm i koldt vejr. Brug handsker, så hænder og vrister holdes varme under arbejdet. Der er rapporteret om, at koldt vejr er en væsentlig faktor til Raynauds syndrom.
- Motionér efter hver arbejdsperiode for at øge blodcirkulationen.
- Hold hyppige arbejdspauser. Begræns eksponeringen for vibrationer pr. dag.

Hvis du mærker nogen af symptomerne på denne tilstand, skal du straks ophøre med arbejdet og søge læge.

⚠ ADVARSEL

Længere tids brug af et værktøj kan forårsage - eller forværre - personskader. Når man bruger et værktøj i længere perioder ad gangen, skal man huske at holde hyppige pauser.

KEND PRODUKTET

Se side 125.

1. Klinge
2. Drejeknap
3. Forlængerstang
4. Skaftkobling
5. Seleophæng
6. Forreste håndgreb
7. Gashåndtagets udløserknap
8. Tænd/Sluk-udløseren
9. HedgeSweep™-løvffjerner
10. Skede
11. Sele
12. Batteri
13. Batteri-låseknap
14. Oplader

SYMBOLER PÅ PRODUKTET



Sikkerheds Varsel



Alle vejledninger skal læses og forstås, inden produktet benyttes; følg alle advarsler og sikkerhedsinstrukser.



Benyt øjen-, høre- og hovedværn.



Benyt skridsikkert sikkerhedsfodtøj, når produktet anvendes.



Brug friktionsfri, kraftige handsker.



Må ikke udsættes for regn eller bruges på fugtige steder.



Hiv: Hurtigudløsertap



Skarpe knive. For at undgå alvorlige personskader må man ikke røre knivene.



Elektrisk fare. Hold en afstand til luftledninger på mindst 10 m.



Pas på udslyngede eller flyvende objekter. Sørg for, at alle tilskuere (især børn og dyr) er mindst 15 m fra arbejdsområdet.



Elektriske affaldsprodukter bør ikke afskaffes sammen med husholdningsaffald. Genbrug venligst hvor faciliteterne tillader dette. Tjek med din lokale kommune eller forhandler for genbrugsråd.



Dette redskab overholder alle lovkraft og standarder i det EU-land, hvor det er købt.



EurAsian overensstemmelsesmærke



Ukrainsk overensstemmelsesmærke



Det garanterede lydeffektniveau er 95 dB(A).

IKONER I DENNE BRUGSANVISNING



Dele eller tilbehør, der sælges separat



BEMÆRK



Advarsel!

De følgende ikoner og betydninger er beregnet til at forklare risikoen involveret i at anvende denne enhed.

⚠ FARE

Indikerer en meget farlig situation, som hvis ikke undgås, kan føre til alvorlige skader og i værste fald døden.

⚠ ADVARSEL

Indikerer en potentielt farlig situation, som hvis ikke undgås, kan føre til alvorlige skader og i værste fald døden.

⚠ PAS PÅ

Indikerer en potentielt farlig situation, som hvis ikke undgås, kan føre til mindre eller moderate skader.

PAS PÅ

Uden sikkerhedsadvarselssymbol

Indikerer en situation, som kan medføre materiel skade.



Säkerhet, prestanda och pålitlighet har alltid varit högsta prioritet vid design av din kabelfria häcksax på stav.

ANVÄNDNINGSSOMRÅDE

Produkten är enbart avsedd för utomhusbruk av en ensam användare på stabilt underlag. Av säkerhetsskäl ska produkten hela tiden kontrolleras med båda händerna.

Produkten är avsedd för hemmabruk. Det är avsett för att skära och trimma häckar, buskar och liknande växtlighet. Produkten är avsedd att kunna sträckas till en max längd på 2.93 meter.

Överskrid inte arbetslängden.

Det ska användas under torra, väl belysta förhållanden.

Det är INTE avsett för att klippa gräs, kapa träd eller skära grenar. Det ska inte användas för något annat än att klippa eller trimma häckar.

ALLMÄNNA SÄKERHETSFÖRESKRIFTER

VARNING

Läs alla säkerhetsvarningar och alla instruktioner. Om du inte följer varningarna och anvisningarna kan du orsaka elektrisk stöt, brand och allvarlig skada.

Spara dessa varningar och instruktioner för senare behov.

Termen "kraftverktyg" i varningarna hänvisar till ditt eldrivna (med sladd) verktyg eller ditt batteridrivna (utan sladd) verktyg.

ARBETSMILJÖ

- **Håll arbetsområdet rent och välupplyst.** Oordnade och mörka områden inbjuder till olyckor.
- **Använd inte kraftverktyg i explosiva atmosfärer, exempelvis i närheten av brännbara vätskor, gaser eller damm.** Kraftverktyg ger upphov till gnistor vilka kan antända damm eller ångor.
- **Håll barn och åskådare borta när du använder ett kraftverktyg.** Distractioner kan få dig att tappa kontrollen.

ELECTRICAL SAFETY

- **Kraftverktygets kontakt måste matcha uttaget.** Modifiera inte kontakten på något sätt. Använd inga adapterkontakter med jordade kraftverktyg. Omodifierade kontakter och matchande uttag minskar risken för elektrisk stöt.
- **Undvik kroppskontakt med jordade ytor, som exempelvis rör, element, spis och kylskåp.** Det föreligger en förhöjd risk för elektrisk stöt om din kropp är jordad.
- **Exponera inte produkten för regn eller våta förhållanden.** Vatten som tränger in i ett kraftverktyg ökar risken för elektrisk stöt.
- **Misshandla inte sladden.** Använd aldrig sladden för att bära, dra eller koppla bort kraftverktyget. Håll sladden borta från värme, olja, vassa kanter och rörliga delar. Skadade eller intrasslade elsladdar ökar

risken för elektrisk stöt.

- **Använd en förlängningssladd avsedd för utomhusbruk när du använder kraftverktyget utomhus.** Användning av en sladd lämplig för utomhusbruk minskar risken för elektrisk stöt.
- **Använd en jordfelsbrytare om det är oundvikligt att använda ett kraftverktyg i en fuktig miljö.** Användningen av en jordfelsbrytare minskar risken för elektrisk stöt.

PERSONLIG SÄKERHET

- **Var uppmärksam på vad du gör och använd sunt förnuft när du använder ett kraftverktyg. Använd inte ett kraftverktyg när du är trött eller påverkad av droger, alkohol eller mediciner.** Ett ögonblicks uppmärksamhet när du använder kraftverktyg kan orsaka allvarlig personskada.
 - **Använd skyddsutrustning. Bär alltid ögonskydd.** Skyddsutrustning, som exempelvis andningsskydd, halkskyddade säkerhetsskor, huvudskydd och hörselskydd minskar i tillämpliga fall risken för personskador.
 - **Förhindra oavsiktlig start. Säkerställ att strömbrytaren är i av-läge innan du ansluter till uttaget och/eller batteripaketet, innan du lyfter upp verktyget och innan du bär det.** Att bära kraftverktyg med fingret på avtryckaren eller kraftverktyg som är igång bjuder in olyckor.
 - **Ta bort eventuella justerings- eller skiftnycklar innan du startar kraftverktyget.** En skiftnyckel eller justeringsnyckel som lämnas kvar i en roterande del av kraftverktyget kan orsaka personskada.
 - **Sträck dig inte. Ha alltid ett bra fotfäste och en god balans.** Det ger dig bättre kontroll över kraftverktyget i oväntade situationer.
 - **Klä dig korrekt. Använd inte löst åtsittande kläder eller smycken. Håll ditt hår, dina kläder och handskar borta från rörliga delar.** Lösliggande kläder, smycken och långt hår kan fastna i rörliga delar.
 - **Om några uppsamlingsenheter för damm och avfall medföljer ska dessa vara ansluta och användas på ett korrekt sätt.** Användningen av en dammuppsamlare kan minska dammrelaterade faror.
- ### ANVÄND OCH TA HAND OM KRAFTVERKTYGET
- **Tvinga inte produkten. Använd rätt kraftverktyg för ditt jobb.** Rätt kraftverktyg gör jobbet bättre och säkrare om det används i den takt som det är designat för.
 - **Använd inte kraftverktyget om strömbrytaren inte fungerar för att stänga av och sätta på verktyget.** Alla kraftverktyg som inte kan kontrolleras med strömbrytaren är farliga och måste repareras.
 - **Koppla från eluttaget och/eller batteripaketet från elverktyget före justeringar, byte av tillbehör eller förvaring.** Sådana förebyggande åtgärder minskar risken för att kraftverktyget startar oavsiktligt.
 - **Förvara avstängda kraftverktyg utom räckhåll för barn och låt inte personer som är obekanta med kraftverktyg, eller dessa instruktioner, använda**



kraftverktyget. Kraftverktyg är farliga i händerna på otränade användare.

- **Underhåll dina kraftverktyg. Kontrollera så att inga rörliga delar är felinriktade eller sitter fast, att inga delar har gått sönder samt att ingenting annat föreligger som kan påverka kraftverktygets användning. Reparera kraftverktyget innan användning om det är skadat.** Många olyckor uppstår på grund av dåligt underhållna kraftverktyg.
- **Håll skärverktyg vassa och rena.** Korrekt underhållna skärverktyg med vassa skärkanter fastnar inte lika lätt och är lättare att kontrollera.
- **Använd kraftverktyget, tillbehören och borrspetsar etc. i enlighet med dessa anvisningar och ta hänsyn till arbetsförhållanden och det jobb som ska utföras.** Användning av kraftverktyget till andra saker än det är avsett för kan resultera i en farlig situation.

ANVÄNDNING OCH UNDERHÅLL AV BATTERIET

- **Använd endast den batteriladdare som tillverkaren rekommenderar.** En batteriladdare som passar en typ av batteripack kan vara en brandfara om den används med en annan typ av batteripack.
- **Använd eldrivna verktyg med batteripaket som är speciellt utformade för användning tillsammans med produkterna.** Om du använder andra batteripaket ökar du risken för skador och brand.
- **När batteripaketet inte används ska det hållas bort från metallföremål som gem, mynt, nycklar, spikar, skruvar och andra små metallföremål som kan kortsluta batteriets kontakter.** Vid kortslutning av batteriets kontakter finns det risk för brännskador eller brand.
- **Vätska kan läcka ut från batteripaketet vid felaktig användning; undvik kontakt med vätskan. Spola med vatten om du kommer i kontakt med den. Uppsök omedelbart läkarhjälp om du får vätska i ögonen.** Den kan orsaka irritation och brännskador.

UNDERHÅLL

- **Låt en kvalificerad serviceperson serva ditt kraftverktyg med identiska utbytesdelar.** Detta säkerställer att kraftverktygets säkerhet bibehålls.

SÄKERHETSFORESKRIFTER FÖR STAVHÄCKSAX

- **Se till att alla delar av kroppen hålls på avstånd från skärklingan.** Ett ögonblick av bristande uppmärksamhet vid användning av produkten kan innebära risk för allvarlig personskada.
- **Bär stävhäcksaxen i handtaget när skärklingan är helt stoppad. Vid transport och förvaring av stävhäcksaxen ska alltid skyddet träs på skärenheten.** Korrekt hantering av stävhäcksaxen kommer att minska risken för personskada från skärbladen.
- **Håll verktyget enbart i det isolerade handtaget eftersom skärbladet kan komma i kontakt med dolda kablar.** Om klingan kommer i kontakt med "aktiv" ledning kan metalldelar exponeras och ge användaren en elektrisk stöt.

en elektrisk stöt.

YTTERLIGARE SÄKERHETSFORESKRIFTER

- **Rensa upp på arbetsområdet innan arbetet påbörjas.** Ta bort alla föremål som kablar, lampor, rep eller trådar som kan trasslas in i skärklingan.
- **Se upp för kringflygande föremål; håll alla åskådare, barn och husdjur på minst 15 meters avstånd.**
- **Kontrollera hela tiden så att det inte finns personer eller djur i häcken eller busken som ska klippas.**
- **Använd endast i god belysning.** Operatören måste ha god överblick över arbetsområdet för att upptäcka potentiella faror.
- **Se över maskinen inför varje användning. Kontrollera för lösa fästen, se till att alla skydd och handtag sitter ordentligt på plats. Byt ut eventuella skadade delar före användning.**
- **Modifiera inte maskinen på något sätt.**
- **Låt inte barn eller icke utbildade personer använda produkten.**
- **Använd alltid ögon- och hörselskydd vid användning av produkten.** Skyddshjälm ska användas på platser där det finns risk för fallande föremål.
- **Bär grova, långa byxor, stövlar och handskar. Bär inte löst sittande kläder, korta byxor eller smycken. Ha skor på fötterna.**
- **Fäst långt hår över axelhöjd för att undvika att det fastnar i rörliga delar.**
- **Använd inte den här enheten när du är trött, sjuk eller under påverkan av alkohol, droger eller mediciner.**
- **Bibehåll ett bra fotfäste och bra balans. Sträck dig inte. Sträcker du dig för långt finns risk att du tappar balansen och orsakar allvarlig personskada.**
- **Innan maskinen startas ska du se till att skärklingan inte är i kontakt med något.**
- **Se till att maskinen är korrekt placerad i önskat arbetsläge före den startas.**
- **Vid användning av stävhäcksaxen ska den hållas fast med båda händerna på handtagen och arbetsläget ska vara säkert och tryggt. Tillverkaren rekommenderar inte användning av stegar eller trappor.**
- **Använd sele om den medföljer stävhäcksaxen. Den hjälper dig att bära produktens vikt under användning och under förflyttning. Justera försiktigt selen så att den sitter skönt.**
- **Ta reda på snabbkopplingsmekanismen och testa den innan du börjar använda maskinen. Korrekt användning av den kan förhindra allvarliga skador i nödfall. Bär aldrig extrakläder över selen eller på annat sätt förhindra åtkomsten till snabbtösningsmekanismen.**
- **Skydda dig själv mot elektrisk stöt genom att inte arbeta inom 10 meter från nedfallen elkabel.**
- **Använd aldrig stävhäcksaxen nära stängsel, skyltar, byggnader eller andra icke flyttbara föremål.**
- **Bladen är vassa. Vid hantering av klingan ska du använda halkfria, grova skyddshandskar. Placera inte händer eller fingrar mellan bladen eller på något ställe där de kan klämmas eller skäras. Rör inte blad eller**

serviceenheten såvida inte batteriet är fränkopplat.

- Stäng av och ta bort batteriet före:
 - justera arbetsposition på skärenheten
 - rengöring eller rensning av ett stopp
 - att lämna produkten utan tillsyn
 - kontroll, underhåll eller arbete på maskinen
- Tvinga inte in häcktrimmern igenom grova buskar. Detta kan orsaka att knivbladen fastnar och saktar ned. Om knivarna saktar ned, reducera hastigheten
- Försök inte klippa stammar eller grenar som är tjockare än 18 mm, eller de som uppenbarligen är för grova för att få in i skärbladet. Använd en ej motordriven handsåg för att kapa grova stammar.
- När du använder hörselskydd minskar din förmåga att uppfatta varningar (skrik och alarm). Du måste vara extra uppmärksam på vad som sker i arbetsområdet.
- Använd aldrig stavhäcktrimmern med skadade eller hårt slitna blad.
- Var uppmärksam på omgivningen och var beredd på plötsliga faror som inte hörs på grund av ljudet från maskinen.

⚠ VARNING

Om maskinen tappas, utsätts för hårda slag eller börjar vibrera onormalt mycket ska maskinen omedelbart stoppas och kontrolleras för eventuella skador eller orsak till vibrationerna. Eventuella skador ska repareras ordentligt eller bytas ut av ett auktoriserat servicecenter.

⚠ VARNING

Kontrollera att skafkopplingen på förlängningsstaven och verktyget sitter ordentligt före varje användning och vid regelbundna tillfällen.

TRANSPORT OCH FÖRVARING

- Stoppa produkten, ta ur batteriet och låt de båda svalna före transport eller förvaring.
- Ta bort allt främmande material från produkten. Förvara den svalt och välventilerat på en plats där barn inte kan komma åt den. För extra säkerhet ska batteriet förvaras åtskilt från produkten. Förvara på avstånd från frätande medel, t.ex. trädgårdskemikalier och vägsalt. Förvara den inte utomhus.
- Täck bladet med bladskyddet innan du förvarar eller transporterar enheten.
- Vid transport ska produkten säkras mot rörelser eller fallande för att förhindra personskador eller att produkten skadas.

UNDERHÅLL

⚠ VARNING

Använd enbart ersättningsdelar och tillbehör från tillverkaren. Om inte kan det eventuellt orsaka skador, sämre resultat och kan upphäva garantin.

⚠ VARNING

Att serva produkten kräver extrem försiktighet och kunskap och bör endast utföras av en kvalificerad servicetekniker. Vi rekommenderar att du returnerar produkten till ditt närmsta auktoriserade servicecenter för reparation. Använd endast identiska utbytesdelar när produkten servas.

⚠ VARNING

Bladen är vassa. För att förhindra personskador ska stor försiktighet iakttas vid rengöring, smörjning och anpassning eller borttagning av bladskyddet.

- Ta bort batteriet före underhåll eller rengöring.
- Du kan göra de justeringar och reparationer som beskrivs i den här manualen. För alla andra reparationer ska godkänt servicecenter kontaktas.
- Efter varje användning ska produktens yttre och handtag rengöras med en torr, mjuk trasa.
- Efter varje användning ska skräp rensas bort från bladen med en styv borste, rostskyddsmedel appliceras och bladskyddet fästas på nytt. Använd rekommenderat rostskydd och smörjspray. Var noga med att inte vidröra bladet när smörjmedel appliceras. Information om lämpligt rostskyddsspray finns hos auktoriserat servicecenter.
- Om du vill smörja bladen före användning ska samma metod användas.
- För att vara säkra på att produkten är säkra att använda, kontrollera alla muttrar, bultar och skruvar regelbundet för att säkerställa att de är åtdragna ordentligt. Skadade delar skall repareras ordentligt eller bytas ut av en auktoriserad servicefirma.

KVARSTÅENDE RISKER

Även om maskinen används enligt föreskrifterna, är det ändå omöjligt att helt eliminera kvarvarande mindre riskfaktorer. Följande risker kan uppkomma under bruk och användaren ska vara extra uppmärksam för att undvika följande:

- Bladen kan inte skyddas under kapning. Kontakt med bladen kan orsaka allvarig personskada. Håll bladet borta från dig själv och andra. Täck med bladskyddet när du inte använder produkten.
- Skada orsakad av vibration. Använd alltid rätt verktyg för arbetet, håll ordentligt i handtagen och begränsa arbetstid och exponering.
- Exponering för buller kan orsaka hörselskador. Använd hörselskydd och begränsa exponeringen.

RISKMINSKNING

Det finns rapporter om att vibrationer från handhållna verktyg kan bidra till ett tillstånd som kallas Raynauds syndrom för vissa personer. Symptomen brukar vara att det sticker i fingrarna och att de domnar bort; fingrarna kan också bli vita, särskilt vid kyla. Årftliga faktorer, kyla och fukt, diet, rökning och arbetsrutiner tros alla bidra till att

orsaka dessa symptom. Det finns förebyggande åtgärder som du kan vidta för att försöka minska vibrationernas påverkan:

- Håll dig varm när du arbetar i kallt väder. Använd handskar för att hålla kvar värmen i händer och handleder. Kyla har rapporterats som en viktig del i utvecklandet av Raynauds syndrom.
- Träna och rör på dig efter varje användningstillfälle för att öka blodcirkulationen.
- Ta ofta pauser från arbetet. Begränsa tiden du utsätter dig varje dag.

Upphör omedelbart om du upplever några av dessa symptom och uppsök din läkare.

VARNING

Risk för person- eller slitageskador vid användning av verktyget under lång tid. Om verktyget används under längre perioder krävs regelbundna pauser.

LÄR KÄNNA PRODUKTEN

Se sida 125.

1. Blad
2. Rotationsknapp
3. Förlängningsstav
4. Skaftkoppling
5. Selens fäste
6. Främre handgrepp
7. Avtryckarfrigöring
8. On/off-reglaget
9. HedgeSweep™ klippbortföaren
10. Svärdsliða
11. Sele
12. Batteri
13. Knapp för batterispärr
14. Batteriladdare

SYMBOLER PÅ PRODUKTEN



Säkerhetsvarning



Läs igenom och var införstådd med alla instruktioner före användning av produkten, var uppmärksam på alla varningar och säkerhetsinstruktioner.



Använd alltid ögon-, hörsel- och ansiktsskydd.



Bär halkskyddade säkerhetsskor när du använder produkten.



Används halkfria, grova skyddshandskar.



Utsätt inte för regn eller våta omgivningar.



Dra: Snobblossningsflik



Vassa skärblad. För att undvika allvarlig personskada ska inte skärbladen vidröras.



Elektrisk fara. Håll ett avstånd på minst 10 meter till ovanförliggande kraftledningar.



Se upp med kringkastade eller flygande föremål. Håll alla personer i närheten (speciellt barn och djur) minst 15 m bort från arbetsområdet.



Gamla elektroniska produkter ska inte kastas med hushållsoporna. Återvinn där sådana faciliteter finns. Kontrollera med din lokala myndighet eller säljaren för att få återvinningstips.



Detta verktyg uppfyller alla standarder i de EU-länder där det kan köpas.



EurAsian överensstämmelsesymbol



Ukrainskt märke för överensstämmelse



Garanterad ljudeffektsnivå är 95 dB(A).

BILDER I DENNA BRUKSANVISNING



Delar och utrustning säljs separat



ANMÄRKNING



Varning!

Följande signalord och betydelser är tänkta att förklara de olika risknivåerna som är associerade med denna produkt.

FARA

Indikerar en överhängande farlig situation som kan, om den inte undviks, resultera i dödsfall eller allvarlig skada.

VARNING

Indikerar en potentiellt farlig situation som kan, om den inte undviks, resultera i dödsfall eller allvarlig skada.

PÅMINNELSE

Indikerar en potentiellt farlig situation som kan, om den

inte undviks, resultera i mindre eller medelstora skador.

PÅMINNELSE

Utan säkerhetssymbol

Visar på en situation som kan orsaka skada på egendom.

EN
FR
DE
ES
IT
NL
PT
DA
SV
FI
NO
RU
PL
CS
HU
RO
LV
LT
ET
HR
SL
SK
BG
UK



Langattoman versipensasleikkurisi suunnittelussa on pidetty etusijalla turvallisuutta, suorituskykyä ja luotettavuutta.

KÄYTTÖTARKOITUS

Tuote on tarkoitettu vain ulkokäyttöön yhden käyttäjän toimesta hänen seisoessaan tukevalla maalla. Turvallisuussyistä tuotteen on oltava asianmukaisesti hallinnassa ja käyttäjän on pideltävä sitä aina kaksin käsin. Tämä tuote on tarkoitettu kotikäyttöön. Se on tarkoitettu pensasaitojen, pensaikkojen ja vastaavien kasvien leikkaamiseen ja trimmaukseen. Tuote on suunniteltu jatkettavaksi enintään 2.93 metrin pituiseksi.

Älä ylitä tätä työpituutta.

Setä tulee käyttää kuivassa, hyvin valaistussa ympäristössä.

Sillä EI saa leikata ruohoa, puita eikä oksia. Sitä ei saa käyttää muuhun tarkoitukseen kuin pensaiden trimmaukseen.

YLEISET TURVALLISUUSVAROITUKSET

VAROITUS

Lue kaikki turvallisuusvaroitukset ja ohjeet. Varoitusten ja ohjeiden laiminlyönnistä voi seurata sähköisku, tulipalo ja/tai vakava loukkaantuminen.

Säilytä nämä varoitukset ja ohjeet myöhempiä tarvetta varten.

Sana "sähkötyökalu" viittaa varoituksissa verkkovirta- (langalliseen) tai akkukäyttöiseen (langattomaan) sähkötyökaluun.

TYÖYMPÄRISTÖ

- Pidä työalue siistinä ja valoisana. Epäjärjestyksessä olevat ja pimeät alueet myötävaikuttavat onnettomuuksiin.
- Älä käytä sähkötyökalua räjähdysalttiissa paikoissa, kuten helposti syttyvien nesteiden tai kaasujen tai pölyn läheisyydessä. Sähkötyökalut kipinöivät, mikä saattaa sytyttää pölyn tai höyryt.
- Pidä lapset ja sivulliset loitolla, kun käytät sähkötyökaluja. Häiriöt voivat saada koneen riistäytymään hallinnasta.

SÄHKÖTURVALLISUUS

- Pistokkeen on sovittava pistorasiaan. Älä koskaan muunna pistoketta millään tavalla. Älä käytä maadoitettujen sähkötyökalujen kanssa minkäänlaisia sovintipistokkeita. Alkuperäiset pistokkeet ja niitä vastaavat pistorasiat pienentävät sähköiskun vaaraa.
- Älä kosketa maadoitettuihin pintoihin, kuten putkiin, lämpöpattereihin, helioihin tai jääkaappeihin. Jos ruumiisi on maadoitettu, sähköiskun vaara on suurempi.
- Älä altista tätä tuotetta sateelle tai märille olosuhteille. Sähkötyökaluun joutunut vesi kasvattaa sähköiskun vaaraa.

- Pidä huolta sähköjohdosta. Älä koskaan kannata tai vedä sähkötyökalua johdosta tai irrota pistoketta johdosta vetämällä. Pidä johto etäällä kuumista paikoista, öljystä, terävistä kulmista ja liikkuvista osista. Vioittunut tai takkuinen johto lisää sähköiskun vaaraa.
- Kun käytät sähkötyökalua ulkotiloissa, käytä ulkokäyttöön sopivaa jatkojohtoa. Ulkokäyttöön sopivan johdon käyttö pienentää sähköiskun vaaraa.
- Jos sähkötyökalua on pakko käyttää kosteissa tiloissa, käytä jäännösvirtalaitteella (RCD) suojattua pistorasiaa. RCD:n käyttö pienentää sähköiskun vaaraa.

KÄYTTÄJÄN TURVALLISUUS

- Ole valpas, katso mitä teet ja käytä maalaisjärkeä, kun käytät sähkötyökalua. Älä käytä sähkötyökalua väsyneenä tai huumeiden, alkoholin tai lääkkeiden vaikutuksen alaisena. Tarkkaamattomuus sähkötyökalua käytettäessä saattaa johtaa vakavaan loukkaantumiseen.
- Käytä henkilökohtaisia suojavarusteita. Käytä aina suojalaseja. Suojalaitteet, kuten polynaamari, luistamattomat suojakengät, kypärä ja kuulosuojaimet vähentävät loukkaantumisen vaaraa.
- Älä anna koneen käynnistyä vahingossa. Varmista, että katkaisin on poissa päältä, ennen kuin kytket koneen virtalähteeseen ja/tai akkuun ja ennen kuin nostat tai kannat konetta. Sähkötyökalun kantaminen sormi katkaisimella ja virran kytkeminen koneeseen, joka on päällä, saattaa johtaa onnettomuuksiin.
- Irrota säätöavaimet ja jakoavaimet ennen sähkötyökalun käynnistystä. Sähkötyökalun pyörittävään osaan jätetty jako- tai säätöavain saattaa johtaa loukkaantumiseen.
- Älä kurkota liian pitkälle. Pysyttele tukevasti jaloillasi äläkä kurkota käsivartta liian kauas. Tällöin sähkötyökalua on helpompi hallita odottamattomissa tilanteissa.
- Älä pukeudu väliin vaatteisiin, kravattiin tai koruihin, jotka voivat juuttua liikkuviin osiin. Älä käytä väliä vaatteita tai koruja. Pidä hiukset, vaatteet ja käsineet etäällä liikkuvista osista. Löysät vaatteet, korut ja pitkät hiukset saattavat tarttua liikkuviin osiin.
- Jos laitetta varten on pölynpoisto- ja keräyslaite, kytke se asianmukaisesti ja käytä sitä oikein. Pölyn kerääminen voi vähentää pölyyn liittyviä vaaroja.

SÄHKÖTYÖKALUN KÄYTTÖ JA HUOLTO

- Älä pakota tuotetta. Käytä työhön sopivaa sähkötyökalua. Asianmukainen sähkötyökalu hoitaa työt paremmin ja turvallisemmin sillä vauhdilla, jota varten se on suunniteltu.
- Älä käytä sähkötyökalua, jos se ei käynnisty ja sammu katkaisimesta. Jos sähkötyökalua ei voida hallita katkaisimella, se on vaarallinen ja vaatii korjaamista.
- Irrota pistoke virranlähteestä ja/tai akku työkoneesta, ennen kuin teet säätöjä, vaihdat varusteita tai varastoit koneen. Tällaiset varotoimet



pienentävät sitä vaaraa, että kone käynnistyisi vahingossa.

- **Varastoi sähkötyökalu pois lasten ulottuvilta äläkä anna kenenkään, joka ei tunne työkonetta tai näitä ohjeita, käyttää sitä.** Sähkötyökalut ovat vaarallisia kouluttamattomien käyttäjien käsissä.
- **Huolla sähkötyökalut. Tarkista, että liikkuvat osat on kohdistettu oikein ja että ne liikkuvat kunnolla, että osia ei ole rikkoutunut ja että mikään muu seikka ei häiritse sähkötyökalun toimintaa. Jos sähkötyökalu vioittuu, korjaa se ennen käyttöä.** Onnettomuudet johtuvat usein sähkötyökalujen huonosta huollosta.
- **Pidä leikkuutyökalut terävinä ja puhtaina.** Asianmukaisesti huolletut leikkuutyökalut, joiden leikkuupinnat ovat teräviä, eivät jumiuudu helposti ja niitä on helppo hallita.
- **Käytä työkonetta, lisävarusteita, teriä jne. näiden ohjeiden mukaisesti, ja huomioi työolosuhteet ja tehtävän työn laatu.** Työkoneen käyttö muuhun kuin sille tarkoitettuun työhön voi aiheuttaa vaarallisia tilanteita.

AKKUKÄYTTÖISEN TYÖKALUN KÄYTTÖ JA HOITO

- **Käytä lataukseen ainoastaan valmistajan suosittelemaa laturia.** Yhden tyyppiselle akulle sopivan laturin käyttö toisenlaisen akun kanssa voi olla vaarallista.
- **Käytä sähkötyökalua ainoastaan sitä varten suunniteltujen akkujen kanssa.** Muiden akkujen käyttö voi johtaa loukkaantumiseen ja tulipaloon.
- **Kun akkua ei käytetä, pidä se erillään metalliesineistä, kuten paperiliittimistä, kolikoista, avaimista, nauloista, ruuveista ja muista pienistä metalliesineistä, jotka voivat yhdistää akun navat.** Akun napojen oikosulkeminen voi aiheuttaa palovammoja ja tulipalon.
- **Jos akkua käsitellään väärin, siitä voi vuotaa nestettä; älä kosketa sitä. Jos kosketat sitä vahingossa, huuhtelee se vedellä. Jos nestettä pääsee silmiin, hakeudu lisäksi lääkärin hoitoon.** Akusta vuotanut neste voi ärsyttää ihoa ja aiheuttaa palovammoja.

HUOLTO

- **Huollata työkone pätevällä huoltomiehellä, joka käyttää ainoastaan asianmukaisia varaosia.** Tämä varmistaa, että sähkötyökalu on turvallinen.

PENSASVARSILEIKKURI TURVALLISUUSVAROITUKSET

- **Älä kosketa leikkuuterää millään ruumiinosalla.** Tarkkaamattomuus tuotetta käytettäessä saattaa johtaa vakavaan loukkaantumiseen.
- **Kanna pensasvarsileikkuria kahvasta terä pysähdyksissä. Kun kuljetat pensasvarsileikkuria tai varastoit sen, käytä aina leikkurinsuojusta.** Pensasvarsileikkurin asianmukainen käsitteleminen ehkäisee leikkuuterän aiheuttamaa loukkaantumisen vaaraa.
- **Pitele sähkötyökalua ainoastaan eristetyistä**

kosketuspinnasta, sillä leikkuuterä saattaa osua kätettyihin johtoihin. Jos leikkuuterä osuu sähköistettyyn johtoon, sähkötyökalun paljaat metalliosat sähköistyvät ja voivat aiheuttaa käyttäjälle sähköiskun.

MUITA TURVALLISUUSVAROITUKSIA

- Siivoa työalue ennen jokaista käyttöä. Poista kaikki sellaiset esineet, kuten johdot, valot ja langat, jotka voivat singota tai tarttua terään.
- Varo sinkoilevia kappaleita; pidä kaikki sivulliset, lapset ja lemmikit vähintään 15 metrin päässä työalueesta.
- Pidä jatkuvasti silmäsi auki sen varalta, että trimmattavan pensasaidan tai pensaan takana tai sisällä on joku henkilö tai eläin.
- Älä käytä tätä työkalua huonosti valaistussa paikassa. Käyttäjällä on oltava esteetön näkyvyys työalueelle, jotta hän näkee mahdolliset vaaratekijät.
- Tarkasta laite aina ennen käyttöä. Tarkista kiinnikkeiden kireys ja että kaikki suojukset ja kahvat on kiinnitetty tukevasti. Vaihda kaikki vioittuneet osat ennen käyttöä.
- Älä muuntele laitetta millään tavoin.
- Älä anna lasten tai kouluttamattomien henkilöiden käyttää tätä tuotetta.
- Käytä tuotetta käyttäessäsi täysiä suojalaseja ja kuulosuojaimia. Suojakypärää on käytettävä alueilla, joissa on putoavien kappaleiden vaara.
- Käytä paksuja pitkiä housuja, saappaita ja käsineitä. Älä käytä löysiä vaatteita, shortseja tai minkäänlaisia koroja tai kulje paljasjaloin.
- Sido pitkät hiukset hartioiden yläpuolelle, jotta ne eivät pääse tarttumaan liukuviin osiin.
- Älä käytä tätä laitetta väsyneenä, sairaana tai huumeiden, alkoholin tai lääkkeiden vaikutuksen alaisena.
- Pidä vakaa tasapaino. Älä kurkota liian pitkälle. Liian pitkälle kurotteluun voi johtaa tasapainon menetykseen ja vakavaan loukkaantumiseen.
- Varmista ennen laitteen käynnistämistä, että leikkuuterät eivät pääse koskettamaan mitään.
- Varmista ennen laitteen käynnistystä, että se on oikeassa työasennossa.
- Kun käytät pensasvarsileikkuria, pitele sitä aina tukevasti molemmin käsin molemmista kahvoista ja varmista, että käyttöasento on turvallinen ja vakaa. Valmistaja ei suosittele tuotteen käyttöä tikkailla.
- Käytä valjaita, jos ne toimitetaan pensasvarsileikkurin kanssa. Se auttaa tukemaan tuotteen painoa käytön aikana ja trimmauspaikasta toiseen siirryttäessä. Säädä valjaat huolella siten, että ne istuvat mukavasti.
- Paikanna pikavapautusmekanismi ja harjoittele sen käyttöä ennen kuin alat käyttää laitetta. Sen asianmukainen käyttö voi hätätilanteessa estää vakavan loukkaantumisen. Älä koskaan käytä vaatteita valjaiden päällä tai muutoin estä pikavapautusmekanismin käyttöä.
- Jotta et saisi sähköiskua, älä työskentele 10 metriä lähempänä yläpuolisista sähköjohtoista.



- Älä koskaan käytä pensasvarsileikkuria aitojen, pylväiden, rakennusten tai muiden kiinteiden kappaleiden lähellä.
- Terät ovat teräviä. Käytä teräkokoontapanoa käsitellessäsi luisumattomia raskaan käytön suojakäsineitä. Älä aseta kättä tai sormia terien väliin tai mihinkään, missä ne voivat joutua puristuksiin tai leikkaantua. Älä koskaan kosketa terää tai korjaa yksikköä poistamatta ensin akkua.
- Sammuta laite ja irrota akku ennen seuraavia:
 - leikkauslaitteen työasennon säätäminen
 - ennen tukoksen poistamista
 - tuotteen jättäminen valvomatta
 - tuotteen tarkastusta, ylläpitoa ja huoltoa
- Älä pakota pensasleikkuria paksun kasvuston läpi. Tämä voi saada terän tarttumaan ja hidastumaan. Jos terät hidastuvat, hidasta tahtia.
- Älä yritä leikata runkoja tai oksia, jotka ovat paksumpia kuin 18 mm tai selvästi liian suuria leikkuuterälle. Trimmää paksummat varret käsikäyttöisellä sahalla tai karsintasahalla.
- Kuulosuojaimet vaikeuttavat varoitusten kuulemistä (hälytyksiä ja huutoja). Käyttäjän on kiinnitettävä enemmän huomiota siihen, mitä työalueella tapahtuu.
- Älä käytä pensasvarsileikkuria, jos terät ovat vioittuneet tai pahastu kuluneet.
- Ole aina tietoinen ympäristöstäsi ja varo vaaroja, joita et ehkä kuule koneen aiheuttaman metelin takia.

VAROITUS

Jos laite putoaa, saa kovan iskun tai alkaa täristä normaalia enemmän, sammuta se heti ja tarkista se vaurioiden varalta tai paikanna tärinän syy. Valtuutetun huoltopisteen on korjattava tai vaihdettava vioittuneet osat asianmukaisesti.

VAROITUS

Tarkista ennen jokaista käyttökertaa ja säännöllisesti, että jatkovarren kaikki liittännät ja työkalut on kiinnitetty huolella.

KULJETUS JA VARASTOITAESSA

- Sammuta tuote, irrota akku ja anna molempien jäähtyä ennen varastointia ja kuljetusta.
- Puhdista laitteesta kaikki vierasta materiaalit. Varastoi laite viileään, kuivaan ja hyvin tuuletettuun paikkaan, jossa lapset eivät pääse siihen käsiksi. Lisätäkseen turvallisuutta varastoi akku erilleen tuotteesta. Pidä poissa syövyttäviltä aineilta kuten puutarhakemikaaleilta ja jäänsulatussuolalta. Älä säilytä ulkona.
- Peitä terä teränsuojaksella ennen yksikön varastointia sekä kuljetuksen ajaksi.
- Kiinnitä tuote kuljetettaessa siten, että se ei pääse liikkumaan tai kaatumaan, jotta välttyä loukkaantumisilta ja vaurioilta.

HUOLTO

VAROITUS

Käytä ainoastaan alkuperäisiä valmistajan tuottamia varaosia, lisälaitteita ja lisävarusteita. Tämän noudattamatta jättäminen voi johtaa loukkaantumiseen ja huonoon tulokseen ja voi mitätöidä takuun.

VAROITUS

Huolto kaipaa suurta huolellisuutta ja hyvää työkalun tuntemusta: Se on annettava pätevän teknikon tehtäväksi. Suosittelemme, että viet työkalun korjattavaksi lähimpään valtuutettuun liikkeeseen. Käytä vaihdossa yksinomaan alkuperäisiä varaosia.

VAROITUS

Terät ovat teräviä. Jotta välttyä loukkaantumiselta, ole erittäin varovainen puhdistaussasi, voidellessasi ja kiinnittäessäsi tai irrottaessasi teränsuojaa.

- Irrota akku ennen huoltoa ja puhdistusta.
- Voit tehdä tässä käyttöoppaassa kuvattuja säätöjä ja korjauksia. Jos laite vaatii muuta huoltoa, ota yhteys valtuutettuun huoltopisteeseen.
- Puhdista tuotteet runko ja kahvat pehmeällä, kuivalla liinalla jokaisen käyttökerran jälkeen.
- Puhdista roskat jokaisen käyttökerran jälkeen teristä kovalla harjalla ja levitä sen jälkeen huolella ruosteesto-voiteluainetta ennen teränsuojuksen kiinnittämistä. Käytä suositeltua ruosteesto- ja voitelusuihketta. Varo, ettet kosketa terää levittäessäsi voiteluainetta tasaisesti. Lisätietoja asianmukaisesta suihkeesta saa paikallisesta valtuutetusta huollosta.
- Terät kannattaa tarvittaessa voidella kevyesti ennen käyttöä yllä kuvatulla tavalla.
- Varmista aina, että ruuvit ja mutterit ovat tiukasti kiinni, jotta tuote olisi aina turvallinen ja käyttövalmis. Valtuutetun huoltopisteen on korjattava tai vaihdettava vioittuneet osat asianmukaisesti.

KÄYTTÖÖN LIITTYVÄT RISKIT

Vaikka laitetta käytettäisiin ohjeiden mukaisesti, ei ole mahdollista täysin eliminoida tiettyjä käyttöön liittyviä riskitekijöitä. Käytössä voi aiheutua seuraavia vaaroja, ja käyttäjän tulee kiinnittää erityistä huomiota niiden välttämiseen:

- Teriä ei voi suojata leikkauksen aikana. Teriän koskettaminen voi aiheuttaa vakavan vamman. Pidä terä kaukana itsestäsi ja muista. Peitä se teränsuojalla aina kun et leikkaa laitteella.
- Tärinän aiheuttama vamma. Käytä aina työhön sopivaa laitetta, käytä nimettyjä kahvoja ja rajoita työaikaa sekä altistumista.
- Liian kova melu voi aiheuttaa kuulovamman. Käytä suojalaseja ja rajoita altistumista.



RISKIEN VÄHENTÄMINEN

Raporttien mukaan käsikäyttöisten laitteiden tärinä voi joidenkin kohdalla myötävaikuttaa Raynaud's Syndromen (Raynaudin oireen) ilmenemiseen. Oireita ovat pistely, turtuus ja sormien kalpeneminen, yleensä kylmässä ilmassa. Perinnölliset tekijät, kylmyys ja kosteus, ruokavalio, tupakointi sekä työtavat voivat kaikki myötävaikuttaa näiden oireiden ilmenemiseen. Käyttäjä voi ehkäistä tärinän aiheuttamia vaikutuksia seuraavasti:

- Pidä itsesi lämpimänä kylmällä säällä. Käytä laitteen käytön aikana käsineitä, jotta kätesi ja ranteesi pysyvät lämpöisinä. Raporttien mukaan kylmä ilma on tärkeä tekijä Raynaud's Syndromen (Raunaudin oireiden) ilmenemisessä.
- Harjoita kunkin käyttöjakson jälkeen liikuntaa, jotta verenkierto lisääntyi.
- Pidä työn aikana säännöllisesti taukoja. Rajoita päivittaisen tärinän määrä.

Jos mitään yllä mainittuja oireita ilmenee, lopeta heti laitteen käyttö ja kerro oireista lääkärille.

VAROITUS

Laitteen pitkittynyt käyttö voi aiheuttaa tai vaikeuttaa vammoja. Kun käytät mitä tahansa laitetta pitkiä aikoja, muista pitää säännöllisiä taukoja.

TUNNE TUOTTEESI

Katso sivu 125.

1. Terä
2. Kääntöpainike
3. Jatkovarsi
4. Varren liitin
5. Valjaiden ripustin
6. Etukahvan otekohta
7. Liipaisimen vapautin
8. On/Off-liipaisinta
9. HedgeSweep™-puhdistuslaite
10. Terän suojus
11. Valjaat
12. Akku
13. Akun salppapainike
14. Laturi

TUOTTEESSA OLEVAT SYMBOLIT



Varoitus



Lue ja ymmärrä kaikki ohjeet ennen tuotteen käyttöä ja noudata kaikkia varoituksia ja turvallisuusohjeita.



Käytä suojalaseja, kuulosuojaimia ja kypärää



Käytä tätä tuotetta käyttäessäsi luisumattomia turvajalkineita.



Käytä luisumattomia raskaan käytön käsineitä.



Älä altista konetta sateelle tai kosteudelle.



Vedä: Pikavapautuskieleke



Terävät leikkuuterät. Älä kosketa teriin, jotta vältyt vakavalta loukkaantumiselta.



Sähköiskun vaara. Pysy vähintään 10 metrin päässä yläpuolisista sähköjohdoista.



Varo sinkoutuneita ja muita lentäviä esineitä. Pidä vierailijat, eritoten lapset ja kotieläimet vähintään 15 m etäisyydessä työskentelyalueelta.



Käytöstä poistettavia sähkölaitteita ei pidä hävittää talousjätteiden mukana. Ne on mahdollisuuksien mukaan pantava kiertoon. Kierrätysohjeita antavat kunnan viranomaiset ja vähittäiskauppiat.



Tämä työkalu on sen EU-maan kaikkien sääntömääräisten standardien mukainen, josta se on ostettu.



EurAsian-vaatimustenmukaisuusmerkki



Ukrainalainen säädöstenmukaisuusmerkintä



Taattu äänenteho on 95 dB.

TÄMÄN KÄSIKIRJAN KUVAKKEET



Osat ja lisävarusteet on hankittava erikseen



HUOMAUTUS



Varoitus!

Seuraavat signaalisanat ja merkitykset on tarkoitettu selittämään tähän tuotteeseen liittyviä riskejä.

VAARA

Ilmaisee välitöntä vaaratilannetta, joka ellei sitä vältetä,

johtaa kuolemaan tai vakavaan loukkaantumiseen.

 **VAROITUS**

Ilmaisee potentiaalisen vaaratilanteen, joka ellei sitä välttää, johtaa kuolemaan tai vakavaan loukkaantumiseen.

 **HUOMAUTUS**

Ilmaisee potentiaalisen vaaratilanteen, joka ellei sitä välttetä, saattaa johtaa pienempään tai keskivaikeaan loukkaantumiseen.

HUOMAUTUS

Ilman turvallisuusvaroitussymbolia

Ilmoittaa tilanteesta, jossa omaisuutta saattaa vaurioitua.



Sikkerhet, ytelse og driftssikkerhet er gitt topp prioritet i konstruksjonen av din elektriske hekkklipper.

TILTENKT BRUK

Produktet er kun ment for utendørs bruk, betjent av en enkel operatør som står stødig på bakken. Av sikkerhetsmessige årsaker må produktet holdes under kontroll ved alltid å holde det med to hender.

Dette produktet er konstruert for hjemmebruk. Dette produktet er ment for klipping og trimming av hekker, busker og lignende vegetasjon. Produktet er designet til å bli forlenget maksimalt til 2.93 m.

Ikke overskrid denne arbeidslengden.

Det må brukes under tørre og godt opplyste forhold.

Det er IKKE ment for klipping av gress, kapping av grener eller felling av trær. Det må ikke brukes for andre formål enn klipping/trimming av hekker/kratt.

GENERELLE SIKKERHETSADVARSLER

ADVARSEL

Les alle sikkerhetsadvarslene og alle instruksjonene. Å unnlate å følge advarslene og instruksjonene kan føre til elektrisk støt, brann og alvorlig personskade.

Ta vare på disse advarslene og instruksene for å se i dem senere.

Begrepet "elektrisk verktøy" i advarslene gjelder ditt elektriske verktøy koblet til strømmettet (med ledning) eller batteridrevet (uten ledning) elektrisk verktøy.

ARBEIDSOMGIVELSER

- **Hold arbeidsområdet rent, ryddig og godt opplyst.** Uryddige og dårlig opplyste områder fører lett til ulykker.
- **Ikke bruk elektrisk verktøy i eksplorative atmosfærer, som der det finnes brennbare væsker, gasser eller støv.** Elektrisk verktøy skaper gnister som kan antenne støv eller gasser.
- **Hold barn og andre på avstand når et elektrisk verktøy brukes.** Distraksjon kan føre til tap av kontroll.

ELEKTRISK SIKKERHET

- **Støpslet på det elektriske verktøyet må stemme med stikkkontakten. Foreta aldri noen form for endringer av støpslet. Ikke bruk noen form for adapterstøpsel til jordet elektrisk verktøy.** Umodifiserte støpsler og passende stikkontakter vil redusere risikoen for elektrisk støt.
- **Unngå kroppskontakt med jordede overflater, som vannrør, radiatorer, kokeapparater og kjøleaggregater.** Det er økt risiko for elektrisk støt dersom kroppen din har kontakt med jord.
- **Ikke utsett produktet for regn eller fuktige forhold.** Vann som trenger inn i et elektrisk verktøy vil øke faren for elektrisk støt.
- **Ikke misbruk den elektriske ledningen. Bruk aldri ledningen til å bære det elektriske verktøyet eller trekke støpslet ut av stikkkontakten. Hold ledningen**

vekk fra varme, olje, skarpe kanter eller bevegelige deler. Skadet eller sammenfloknet ledning øker risikoen for elektrisk støt.

- **Når du bruker det elektriske verktøyet utendørs, bruk en skjoteledning som er tilpasset utendørs bruk.** Bruk av ledning som er tilpasset utendørs bruk reduserer risikoen for elektrisk støt.
- **Dersom bruk av elektrisk verktøy i fuktige omgivelser ikke er til å unngå, bruk en strømkrets med sikring som er tilpasset verktøyet.** Bruk av strømkrets med sikring reduserer risikoen for elektrisk støt.

PERSONLIG SIKKERHET

- **Vær våken, se på hva du gjør og bruk fornuft når du arbeider med et elektrisk verktøy. Ikke bruk elektrisk verktøy når du er sliten eller under påvirkning av narkotiske stoffer, alkohol eller medisiner som kan påvirke din reaksjonsevne og/eller dømmekraft.** Et øyeblikks uoppmerksomhet når elektrisk verktøy brukes kan føre til alvorlige personskade.
- **Bruk personlig verneutstyr. Bruk alltid øyebeskyttelse.** Verneutstyr som støvmaske, sklisikre vernesko, hjelm eller hørselsvern brukt i passende sammenhenger vil redusere risikoen for personskade.
- **Unngå utilsiktet start. Sørg for at bryteren er i posisjon OFF før utstyret kobles til strømmettet og / eller batteripakken, plukkes opp eller bæres.** Å bære det elektriske verktøyet med fingeren på startknappen eller koble strøm til et elektrisk verktøy med bryteren i ON inviterer til ulykker.
- **Fjern justeringsnøkler og annet verktøy før du setter strøm på det elektriske verktøyet.** En fastnøkkel eller annet verktøy festet til en roterende del av et elektrisk verktøy når det startes kan føre til personskade.
- **Ikke len deg for langt. Sørg for god fotfeste og god balanse til enhver tid.** Dette gir bedre kontroll over det elektriske verktøyet i en uventet situasjon.
- **Kle deg riktig. Ikke bruk løstsittende plagg og/eller løsthengende smykker. Hold hår, klær og hansker vekk fra bevegelige deler.** Løse plagg, smykker og langt hår kan fanges opp av bevegelige deler.
- **Hvis det finnes tilkoblingsmuligheter for oppsagnings- og oppsamlingsutstyr for støv, sørg for at dette blir tilkoblet og brukt på riktig måte.** Bruk av støvoppsamler kan redusere støvrelatert faresituasjoner.

BRUK OG BEHANDLING AV ELEKTRISK VERKTØY

- **Ikke press maskinen. Bruk korrekt elektrisk verktøy for jobben som skal gjøres.** Riktig elektrisk verktøy vil gjøre jobben bedre og tryggere når det brukes slik det var tiltent.
- **Ikke bruk verktøyet hvis bryteren ikke slår verktøyet av og på.** Ethvert elektrisk verktøy som ikke kan kontrolleres med bryteren er farlig og må repareres før det kan brukes.
- **Trekk støpslet ut av den elektriske kontakten og/eller batteripakken fra det elektriske verktøyet før du foretar endringer, skifter tilbehør eller lagrer det elektriske verktøyet.** Slike forebyggende

EN
FR
DE
ES
IT
NL
PT
DA
SV
FI
NO
RU
PL
CS
HU
RO
LV
LT
ET
HR
SL
SK
BG
UK



sikkerhetstiltak reduserer risikoen for utilsiktet start av det elektriske verktøyet.

- **Oppbevar elektrisk verktøy som ikke brukes utenfor barns rekkevidde og la ikke personer som ikke er kjent med det elektriske verktøyet eller dets instruksjoner bruke det.** Elektrisk verktøy er farlig i hendene på uerfarne brukere.
- **Vedlikehold av elektrisk verktøy. Kontroller for feilinnretting og at bevegelige deler løper fritt, at det ikke finnes ødelagte deler og enhver annen tilstand som kan påvirke det elektriske verktøyets drift. Hvis skadet må det elektriske verktøyet repareres før bruk.** Mange ulykker skyldes dårlig vedlikeholdt elektrisk verktøy.
- **Hold skjæreredskap skarpe og rene.** Korrekt vedlikeholdt skjæreverktøy med skarpe skjærekanter har mindre mulighet for å blokkere seg og er lettere å kontrollere.
- **Bruk det elektriske verktøyet, tilbehøret, verktøybits etc i henhold til disse instruksjonene, der du tar hensyn til arbeidsforholdene og det arbeidet som skal utføres.** Bruk av elektrisk verktøy på en måte det ikke var tiltenkt kan skape farlige situasjoner.

BATTERIPRODUKTER - BRUK OG STELL

- **Lad bare med ladere som er spesifisert av produsenten.** En lader som passer til en type batteripakke kan skape risiko for brann dersom den brukes til en annen type batteripakke.
- **Bruk patteriprodukter kun med spesielt tiltenkte batteripakker.** Bruk av andre batteripakker kan føre til risiko for skade og brann.
- **Når batteripakken ikke er i bruk, hold den vekke fra metallgjenstander som binders, mynter, nøkler, spiker, skruer og annet som kan forbinde de to terminalene med hverandre.** Kortslutning av batteriterminalene kan føre til brenning eller brann.
- **Dersom batteriet misbrukes kan det slippe ut væske, unngå hudkontakt med væsken. Hvis du får kontakt med væsken fra batteriet, skyl med rikelige mengder vann. Hvis væsken får kontakt med øynene må det søkes medisinsk hjelp.** Væske som kommer ut av batteriet kan føre til irritasjon eller brannår.

VEDLIKEHOLD

- **Sørg for at reparasjoner og vedlikehold av ditt elektriske verktøy utføres av kvalifiserte teknikere som kun bruker originale erstatningsdeler.** Dette vil sørge for at sikkerheten med det elektriske verktøyet ivaretas.

HEKKSAKS M/SKAFT SIKKERHETSADVARSLER

- **Hold alle deler av kroppen vekke fra skjærebladet.** Et øyeblikk med uoppmerksomhet under bruk av produktet kan føre til alvorlige personskader.
- **Hekksaksen med skaft må bæres i håndtaket og kun når kuttebladet er stanset. Når du skal transportere eller lagre grensagen, sett alltid på dekeleat over sagsverdet.** Riktig håndtering av hekkklipperen m/stang

vil redusere mulige personskader fra kuttebladene.

- **Hold verktøyet i de isolerte gripeflatene idet knivene kan komme i kontakt med skjulte strømførende ledninger.** Dersom skjærebladene får kontakt med en strømførende ledning kan verktøyets metalldele også bli strømførende og gi brukeren elektrisk støt.

SPESIELLE SIKKERHETSADVARSLER

- Klargjør arbeidsstedet før hver gangs bruk. Fjern alle gjenstander som snorer, lys, wire eller hyssing som kan bli slengt ut eller feste seg i kutteenheten.
- Vær oppmerksom på gjenstander som kan bli slengt ut, hold alle tilskuere, barn og kjæledyr minst 15 m unna arbeidsområde.
- Sjekk konstant at det ikke personer eller dyr oppholder seg bak eller i hekken eller busken du skal klippe.
- Ikke bruk i dårlig lys. Operatøren må ha klar sikt over arbeidsfeltet for å identifisere potensielle farer.
- Sjekk maskinen før hver bruk. Sjekk for løse fester, kontroller at alle vern og håndtak er satt på riktig og festet godt. Erstatt alle skadede deler før fortsatt bruk.
- Maskinen må ikke modifiseres.
- Ikke la barn eller ukyndige bruke dette utstyret.
- Ha på deg passende vernebriller og hørselvern når du bruker produktet. Hvis du jobber i områder der det er fare for fallende objekter, må du bruke hjelm.
- Bruk tette langbukser, støvler og hansker. Ikke bruk løstsittende klær, kortbukser, smykker av alle slag og ikke gå barbert.
- Sørg for at langt hår ikke når lenger ned enn skuldrene for å hindre at det kan fanges opp av roterende deler.
- Ikke bruk utstyret når du er sliten, syk eller under påvirkning av alkohol, narkotika eller medisiner som kan påvirke reaksjonsevne og dømmekraft.
- Ha god fotfeste og ballanse til enhver tid. Ikke len deg for langt. Å bøye seg for langt over ting kan føre til at man mister balansen og resultere i alvorlige personskader.
- Før du starter maskinen, sjekk at kuttebladene ikke kommer i kontakt med noe.
- Påse at maskinen er korrekt plassert i en korrekt arbeidsstilling før den startes.
- Når du bruker skaftehekkklipperen, må du alltid holde godt med begge hender på håndtakene og sikre at posisjonen du bruker den i er sikker og trygg. Produsenten anbefaler ikke bruk av stiger, trapper eller lignende.
- Bruk selen hvis den medfølger med din grensag med skaft. Det vil også hjelpe med å støtte vekten til produktet under bruk og mens man flytter seg fra det ene kuttestedet til neste. Juster forsiktig selene slik at de sitter behagelig.
- Finn ut hvordan du skal bruke hurtigutløsermekanismen og øv deg på å bruke den før du tar i bruk maskinen. Riktig bruk kan hindre alvorlige personskader dersom en nødsituasjon skulle oppstå. Du må aldri bruke ekstra klær over selen eller på annen måte hindre hurtigutløsermekanismen.



- For å beskytte deg mot dødelig elektrisk støt, ikke bruk produktet nærmere enn 10 m fra strømstolper og ledninger.
- Bruk aldri hekkklipperen m/skaft nær gjerder, stolper bygninger eller andre ubevegelige gjenstander.
- Bladene er skarpe. Når du håndterer bladene, bruk profesjonelle vernehansker med antiskli. Ikke sett hånden eller fingrene mellom bladene eller et annet sted der de kan bli kuttet eller klemt. Ikke berør kniv eller driftsenhet uten at batteriet er fjernet.
- Slå av maskinen og fjern batteripakken før:
 - justering av arbeidsposisjonen til kappeutstyret
 - rengjøring eller fjernes en blokkering
 - etterlater produktet uten tilsyn
 - kontroll, vedlikehold og arbeider på produktet.
- Ikke tving hekksaksen gjennom tette kjerr. Dette kan føre til at bladet blokkeres og saktner hastigheten. Hvis hastigheten på bladet synker, reduser klippehastigheten.
- Ikke gjør forsøk på å klippe stammer eller grener som er tykkere enn 18 mm, eller de som åpenbart er for tykke til å bli matet inn mellom klippebladene. Bruk en manuell håndsag eller grensag for å kappe tykke stammer eller grener.
- Bruk av hørselsvern reduserer muligheten for å høre advarsler (rop eller alarmer). Brukeren må være ekstra oppmerksom med hensyn til hva som skjer på arbeidsområdet.
- Ikke bruk hagesaken m/skaft hvis dens blader er skadet eller meget nedslitt.
- Hver alltid klar over hva som skjer rundt deg, og vær årvåken overfor mulige farer som det kan være at du ikke hører på grunn av støyen fra maskinen.

⚠ ADVARSEL

Dersom maskinen faller i bakken, får et sterkt slag eller starter å vibrere unormalt, stans maskinen omgående og sjekk for skader eller finn ut hva som er årsaken for vibrasjonene. Enhver skade må repareres helt eller delen skiftes av et autorisert serviceverksted.

⚠ ADVARSEL

Sjekk at alle akselkoblinger på skaftet og verktøyet er festet godt før hver bruk og med jevne mellomrom.

TRANSPORT OG LAGRING

- Slå av produktet og la det kjøles ned før lagring eller transport.
- Fjern alle fremmedelementer fra produktet. Lagres på et kjølig, tørt og godt ventilert sted som er utilgjengelig for barn. For ekstra sikkerhet, oppbevar batteriet separat fra produktet. Hold den borte fra korrosive materialer, så som ugressmidler og veisalt. Ikke oppbevar utendørs.
- Dekk bladet med bladsliren før du lagrer enheten eller ved transport.
- Ved transport må produktet sikres mot å komme i

bevegelse eller falle for å unngå skade på personer eller produktet.

VEDLIKEHOLD

⚠ ADVARSEL

Bruk kun produsentens originale reservedeler, tilleggsutstyr og påsatser. Dersom dette ikke følges, kan det forårsake personskader, dårlig funksjon og kan annullere garantien din.

⚠ ADVARSEL

Service krever meget stor forsiktighet og kunnskap og bør utføres kun av kvalifisert teknisk personale. Vi anbefaler at man sender verktøyet tilbake til nærmeste autoriserte servicesenter for reparasjon. Når service utføres skal kun identiske reservedeler brukes.

⚠ ADVARSEL

Bladene er skarpe. For å unngå personskade, vær meget forsiktig når du rengjør, smører og setter på eller fjerner bladbeskyttelsen.

- Fjern batteriet før det utføres vedlikehold eller renhold.
- Du kan foreta justeringer og reparasjoner som er beskrevet i denne brukermanualen. For andre reparasjoner, ta kontakt med et autorisert serviceverksted.
- Etter hver bruk, rens produktets ytre med en myk tørr klut.
- Etter hvert bruk, fjern avfall fra bladene med en stiv børste og påfør forsiktig antirustsmøring før du setter på bladbeskyttelsen igjen. Bruk det anbefalte rusthindrende- og smøresprayen. Unngå kontakt med bladet når det påføres en jevn fordelt mengde smøremiddel. For mer informasjon om passende sprayprodukter, ta kontakt med ditt lokale autoriserte servicesenter.
- Du kan også ved behov smøre bladene lett før bruk, som beskrevet over.
- Kontroller all mutter, bolter og skruer med jevne mellomrom at de er skrudd fast for å sikre at produktet er i driftssikker stand. Enhver del som er skadet må repareres eller skiftes ut ved et autorisert serviceverksted.

GJENVÆRENDE RISIKO

Selv om utstyret brukes som beskrevet er det ikke mulig å unngå enhver gjenværende risiko. Følgende faresituasjoner kan oppstå ved bruk, og operatøren må legge spesielt vekt på å unngå følgende:

- Bladene kan ikke ha beskyttelse under kuttingen. Kontakt med bladene kan føre til alvorlige personskader. Hold bladet unna deg selv og andre. Tildekk bladene med beskyttelsen når du ikke kutter.
- Personskade på grunn av vibrasjon. Bruk alltid riktig verktøy til jobben, bruk håndtakene og begrens

EN
FR
DE
ES
IT
NL
PT
DA
SV
FI
NO
RU
PL
CS
HU
RO
LV
LT
ET
HR
SL
SK
BG
UK



arbeidstiden og eksponeringen.

- Eksponering for støy kan føre til hørselskader. Bruk hørselvern og begrens eksponeringen.

FAREDUKSJON

Det foreligger rapporter om at vibrasjoner fra håndholdt verktøy for enkelte personer kan bidra til en tilstand som kalles Raynauds Syndrome. Symptomene kan omfatte følelsesløshet og gjøre fingrene bleke, vanligvis synlig ved eksponering til lave temperaturer. Arvelige faktorer, eksponering mot lave temperaturer og fuktighet, diett, røyking og arbeidspraksis blir alle ansett for å kunne bidra til å utvikle disse symptomene. Brukeren kan iverksette tiltak for mulig å redusere virkningene av vibrasjonene:

- Hold kroppen din varm i kaldt vær. Bruk hansker og hold hender og vrister varme ved bruk av gressklipperen. Det er rapportert at kaldt vær er en viktig faktor som bidrar til Raynauds Syndrome.
- Etter hver arbeidsperiode bør det utføres øvelser for å øke blodsirkulasjonen.
- Ta ofte pauser fra arbeidet som utføres. Begrens mengden av eksponering pr. dag.

Hvis du opplever noen av symptomene på denne tilstanden må du øyeblikkelig avbryte arbeidet og oppsøke en lege med disse symptomene.

⚠ ADVARSEL

Hvis man bruker verktøyet for lenge av gangen, kan det føre til eller forverre allerede eksisterende personskaade. Når du bruker et verktøy over en lenger tidsperiode, husk å ta regelmessige pauser.

KJENN PRODUKTET DITT

Se side 125.

1. Blad
2. Svingknapp
3. Forlengelsesskaft
4. Akselkobling
5. Seleoppheng
6. Fronthåndtak
7. Utløser for gasshåndtak
8. På/av utløserknappen
9. HedgeSweep™ avfallsfjerner
10. Futteral
11. Sele
12. Batteri
13. Utløserknapp for batteri
14. Lader

SYMBOLER PÅ PRODUKTET



Sikkerhetsalarm



Les og forstå alle instruksjoner før du tar i bruk produktet, følg alle advarsler og sikkerhetsanvisninger.



Bruk beskyttelse for øyne, hørsel og ansiktet.



Anvend glisikkert fottøy ved bruk av dette produktet.



Bruk kraftige, sklisikre hansker.



Ikke utsette for regn eller fuktige forhold.



Trekk: Hurtigutløserflik



Skarpe kutteblader. For å hindre alvorlige personskader, ikke ta på kuttebladene.



Elektriske farer. Ha en avstand på minst 10 meter fra overliggende ledninger.



Vær oppmerksom på utkastede eller flygende gjenstander. Hold alle tilskuere (spesielt barn og dyr) minst 15 m vekk fra arbeidsområdet.



Avfall fra elektriske produkter skal ikke kastes sammen med husholdningsavfall. Vennligst resirkulervedeeksisterende avfallsbehandlingssted. Undersøk hos dine lokale myndigheter eller forhandler for råd om resirkulering.



Dette verktøyet overholder samtlige standarder i det EU-landet det er kjøpt i.



EurAsian Konformitetstegn



Ukrainsk merke for konformitet



Garantert lydteffektivnivå er 95 dB.

IKON I DENNE MANUALEN



Deler eller tilbehør solgt separat



MERK



Advarsel!

Følgende symboler og betydninger forklarer risikonivået som er assosiert med dette produktet.

⚠ FARE

Indikerer en øyeblikkelig farlig situasjon, som, hvis ikke unngås, kan resultere i død eller alvorlig personskada.

⚠ ADVARSEL

Indikerer en potensiell farlig situasjon, som, hvis ikke unngås, kan resultere i død eller alvorlig personskada.

⚠ FORSIKTIGHETSREGEL

Indikerer en potensiell farlig situasjon, som, hvis ikke unngås, kan resultere i mindre eller moderat personskada.

FORSIKTIGHETSREGEL

Uten sikkerhetsvarselsymbol

Indikerer en situasjon som kan føre til skade på eiendom.



При разработке этого беспроводного штангового триммера-кустореза особое внимание уделялось безопасности, производительности и надежности.

НАЗНАЧЕНИЕ

Устройство предназначено только для использования на открытом воздухе одним оператором, стоящим на твердой прочной поверхности. Из соображений безопасности всегда необходимо эксплуатировать инструмент, управляя им двумя руками.

Данный инструмент предназначен для использования в бытовых условиях. Данный инструмент предназначен для обрезки и подравнивания живой изгороди, кустарников и подобной растительности. Конструкция устройства позволяет увеличить длину до 2,93 м.

Не превышайте эту рабочую длину.

Пользоваться инструментом следует в сухих хорошо освещенных условиях.

Устройство НЕ предназначено для подрезки травы, деревьев или веток. Инструмент не следует использовать в каких-либо других целях, кроме подрезки живой изгороди.

ОБЩИЕ ПРАВИЛА БЕЗОПАСНОСТИ

⚠ ОСТОРОЖНО

Прочтите все предупреждения и инструкции по технике безопасности. Несоблюдение приводимых ниже предупреждений и инструкций может привести к поражению электрическим током, возгоранию или тяжким телесным повреждениям.

Сохраните все предупреждения и инструкции по технике безопасности для последующего использования.

Термин "электроинструмент" в данном описании относится к инструментам с питанием от сети (проводные) и от аккумуляторных батарей (беспроводные).

БЕЗОПАСНОСТЬ НА РАБОЧЕМ МЕСТЕ

- Рабочая зона должна быть свободна и хорошо освещена. Загромождение или плохое освещение рабочей зоны может привести к несчастным случаям.
- Не используйте электроинструмент во взрывоопасной среде, например в присутствии легковоспламеняющихся жидкостей, газов или пыли. В электроинструментах происходит искрообразование, что может привести к воспламенению пыли или газа.
- Не допускайте присутствия детей и посторонних лиц при работе с инструментом. Невнимательность может привести к утрате контроля.

ЭЛЕКТРОБЕЗОПАСНОСТЬ

- Вилка кабеля питания инструмента должна соответствовать используемой розетке.

Не подвергайте вилку кабеля каким-либо изменениям. Не используйте какие-либо переходники с электроинструментами с заземляющим проводом. Использование оригинальных штепсельных вилок и соответствующих розеток предотвращает опасность поражения электрическим током.

- Не допускайте контакта частей тела с поверхностями заземленных предметов, таких как трубы, радиаторы отопления, кухонные плиты, холодильники. При соприкосновении частей тела человека с заземленными участками возрастает опасность поражения электрическим током.
- Категорически запрещается использование этого продукта в условиях повышенной влажности. Попавшая внутрь инструмента вода повышает опасность поражения электрическим током.
- Обращайтесь с кабелем питания надлежащим образом. Не используйте кабель для переноски, перемещения или отключения инструмента от сети питания. Оберегайте кабель от источников тепла, масляных и острых предметов и движущихся деталей. Поврежденные или запутанные провода повышают опасность поражения электрическим током.
- При работе с электроинструментом вне помещений пользуйтесь удлинительным кабелем, предназначенным для наружного применения. Использование кабеля, предназначенного для наружного применения, снижает опасность поражения электрическим током.
- Если нет возможности избежать работы в условиях повышенной влажности, подключайте инструмент через устройство защитного отключения. При использовании устройства защитного отключения снижается опасность поражения электрическим током.

ЛИЧНАЯ БЕЗОПАСНОСТЬ

- Соблюдайте осторожность, следите за своими действиями и пользуйтесь здравым смыслом при работе с электроинструментом. Не пользуйтесь инструментом в состоянии усталости или под воздействием наркотических средств, алкоголя или медицинских препаратов. Малейшая невнимательность при работе с инструментом может привести к тяжкому телесному повреждению.
- Используйте средства индивидуальной защиты. Всегда надевайте средства защиты зрения. Средства защиты, такие как пылезащитная маска, нескользящая защитная обувь, шлем-каска, средства защита органов слуха, используемые надлежащим образом, снижают опасность телесного повреждения.
- Не допускайте случайного запуска. Перед подключением к источнику питания или установкой аккумуляторной батареи, подъемом





или перемещением инструмента убедитесь, что переключатель находится в положении «выключено». Во избежание несчастных случаев при перемещении инструмента не держите пальцы на переключателе инструмента и не подключайте его к источнику питания при включенном положении переключателя.

- **Перед включением инструмента уберите все регулировочные и гаечные ключи.** Гаечные или регулировочные ключи, оставленные на вращающихся частях инструмента, могут привести к телесному повреждению.
- **Не перенапрягать.** Старайтесь сохранять устойчивость и подыскивайте твердую опору. Это обеспечивает лучшую управляемость электроинструментом в непредвиденных ситуациях.
- **Одевайтесь соответствующим образом.** Не надевайте свободную одежду и украшения. Не допускайте попадания волос, одежды и перчаток в движущиеся части. Свободная одежда, украшения и длинные волосы могут попасть в движущиеся части.
- **Если в инструменте предусмотрено использование устройства удаления и сбора пыли, обеспечьте их надежное крепление и надлежащее использование.** Использование пылесборника снижает опасность, связанную с пылеобразованием.

ИСПОЛЬЗОВАНИЕ И ОБРАЩЕНИЕ С ИНСТРУМЕНТОМ

- **Не прикладывайте чрезмерных усилий при работе с данным инструментом.** В каждом случае используйте надлежащий электроинструмент. Правильно выбранный электроинструмент позволяет выполнить работу, для которой он предназначен, более качественно и более безопасно.
- **Не пользуйтесь инструментом, если выключатель не включается или не выключается.** Любой электроинструмент, не управляемый выключателем, представляет опасность и должен быть отремонтирован.
- **Перед выполнением каких-либо регулировок, заменой приспособлений или хранением инструмента отключите вилку кабеля источника питания и/или аккумуляторной батареи от электроинструмента.** Такие меры предосторожности помогут предотвратить опасность случайного пуска инструмента.
- **Храните неиспользуемые электроинструменты в месте, недоступном для детей, а также не допускайте к использованию данного инструмента лиц, не знакомых с его работой или не ознакомленных с данными данными инструкциями.** Инструмент в руках неподготовленного лица представляет опасность.
- **Бережно обращайтесь с инструментом.** Проверяйте инструмент на отсутствие перекосов или заклинивания движущихся частей, их неисправности или других

причин, которые могут отразиться на работе инструмента. При повреждении инструмента перед его дальнейшим использованием его следует отключать. Многие несчастные случаи вызваны ненадлежащим обращением с инструментом.

- **Содержите режущее устройство в чистоте и заточенном виде.** При надлежащем техническом обслуживании режущего инструмента снижается вероятность застревания режущих частей и облегчается управляемость.
- **Используйте инструмент, принадлежности, насадки и т.п. в соответствии с данными указаниями, и принимая во внимание условия работы и выполняемую работу.** Использование данного электроинструмента не по назначению может создать опасную ситуацию.

ЭКСПЛУАТАЦИЯ УСТРОЙСТВА С АККУМУЛЯТОРНЫМ ПИТАНИЕМ И УХОД ЗА НИМ

- **Зарядку выполняйте только с использованием зарядного устройства, указанного изготовителем.** Зарядное устройство, подходящее к одному типу аккумуляторных батарей, может создать опасность возгорания при использовании с аккумуляторными батареями другого типа.
- **Используйте электрические устройства только со специально предназначенными для них аккумуляторными батареями.** Использование аккумуляторных батарей другого типа может привести к телесным повреждениям или возгоранию.
- **Если аккумуляторная батарея не используется, храните ее отдельно от других металлических предметов, например канцелярских скрепок, монет, ключей, гвоздей, винтов и других мелких металлических предметов, которые могут привести к замыканию контактов батареи.** Замыкание контактов батареи может вызвать ожоги или привести к возгоранию.
- **При ненормальных условиях из батареи может вытечь жидкость, избегайте контакта с ней.** Если этого избежать не удалось, смойте жидкость водой. Если жидкость попала в глаза, после их промывания обратитесь за медицинской помощью. Жидкость, вытекающая из батареи, может вызвать раздражение или ожог.

ОБСЛУЖИВАНИЕ

- **Техническое обслуживание и ремонт инструмента должно выполняться только квалифицированным специалистом с использованием взаимозаменяемых запасных частей.** Это обеспечит нормальное техническое состояние устройства.

ОСОБЕННОСТИ ТЕХНИКИ БЕЗОПАСНОСТИ ПРИ ЭКСПЛУАТАЦИИ ШТАНГОВЫЙ ТРИММЕР-КУСТОРЕЗ

- **Удерживайте режущее полотно на безопасном расстоянии от частей тела.** Малейшая невнимательность при работе с устройством может





привести к серьезным травмам.

- **Переносите штанговый триммер-кусторез за ручку в выключенном состоянии. При транспортировке или хранении штангового триммера-кустореза всегда надевайте на режущую часть защитное приспособление.** Правильное обращение со штанговым триммером-кусторезом уменьшит риск получения травмы от режущих лезвий.
- **Держите электроинструмент только за изолированную поверхность рукоятки, так как пильный диск может войти в контакт со скрытой электропроводкой.** При повреждении режущим полотном провода, находящегося под напряжением, металлические части инструмента также могут оказаться под напряжением, что может привести к поражению работающего электрическим током.

ДОПОЛНИТЕЛЬНЫЕ УКАЗАНИЯ ПО БЕЗОПАСНОСТИ

- Перед каждым использованием проверяйте рабочую зону. Уберите такие объекты, как провода или шнуры, которые могут отлетать или запутываться в режущих принадлежностях.
- Берегитесь отлетающих объектов, не допускайте прожогов, детей и домашних животных ближе чем на 15 м от рабочей зоны.
- Постоянно проверяйте, нет ли людей или животных позади или внутри изгороди или кустарника, который вы собираетесь обрезать.
- Не работайте при недостаточном освещении. Оператор должен четко видеть рабочую зону в целях выявления потенциальных опасностей.
- Проверяйте устройство перед каждым использованием. Проверьте надежность креплений, убедитесь, что все защитные приспособления и ручки правильно и надежно закреплены. Перед использованием замените поврежденные детали.
- Запрещается каким-либо образом изменять конструкцию устройства.
- Не позволяйте пользоваться устройством детям или не обученным лицам.
- Используйте надежные приспособления для защиты глаз и органов слуха при работе с продуктом. При работе в зоне, где есть риск падения предметов, необходимо носить защитную каску.
- Работайте в толстых длинных брюках, сапогах и перчатках. Не допускается ношение слишком свободной одежды, коротких брюк, ювелирных изделий. Запрещается работать босиком.
- Чтобы избежать наматывания волос на вращающиеся детали, закрепите длинные волосы таким образом, чтобы они не свисали ниже плеч.
- Не работайте с данным инструментом в случае усталости, болезни или под воздействием алкоголя, наркотиков или медикаментов.
- Держать устойчивую опору и баланс. Не перенапрягать. Попытка дотянуться слишком

далеко может вызвать потерю равновесия и привести к серьезной травме.

- Перед запуском устройства убедитесь, что режущие лезвия не вступают в контакт ни с чем.
- Перед запуском инструмента установите его в правильное рабочее положение.
- Во время эксплуатации штангового триммера-кустореза всегда крепко держите его обеими руками за две ручки и убедитесь, что рабочее положение является надежным и безопасным. Производитель не рекомендует использовать стремянки или лестницы.
- Используйте ремень, если он поставляется вместе с вашим штанговым триммером-кусторезом. Это также поможет удерживать вес устройства во время использования и передвижения между позиций для резки. Аккуратно отрегулируйте ремень, чтобы он сидел удобно.
- Найдите механизм быстрого освобождения и опробуйте его перед началом использования устройства. Его правильное использование может предотвратить серьезные травмы в случае возникновения чрезвычайной ситуации. Никогда не носите одежду поверх ремня и никаким иным образом не ограничивайте доступ к механизму быстрого освобождения.
- Во избежание поражения электрическим током не работайте в пределах 10 м от воздушных линий электропередач.
- Никогда не используйте штанговый триммер-кусторез возле ограждений, столбов, зданий или других неподвижных объектов.
- Лезвия имеют острые кромки. При выполнении всех операций с лезвиями носите несколько прочные защитные перчатки. Не допускайте попадания руки или пальцев между лезвиями и держите их так, чтобы невозможно было их прищемить или порезать. Никогда не прикасайтесь к пильному диску и не проводите техническое обслуживание, пока не будет извлечена батарея.
- Выключите устройство и извлеките батарею перед выполнением следующих действий:
 - регулировка рабочего положения режущего устройства
 - очистка или устранение засора
 - Оставление изделия без присмотра
 - проверка, техобслуживание и эксплуатация устройства.
- Не используйте шпалерные ножницы для подрезания густого кустарника. Это может привести к зажиму и замедлению работы режущих полотен. Если движение режущих полотен замедляется, уменьшите ход работы.
- Не пытайтесь обрезать стебли или ветви толщиной более 18 мм или заведомо не проходящие в режущие полотна. Для обрезания больших стеблей используйте ручную пилу или ножовку.
- Использование средств защиты органов слуха снижает способность услышать предупреждения (крики или сигналы). Работающий уделять



повышенное внимание к происходящему в зоне работы.

- Не используйте штанговый триммер-кусторез с поврежденными или чрезмерно изношенными лезвиями.
- Никогда не забывайте об окружающей обстановке и помните о возможных опасностях, о которых вы можете не подозревать из-за шума, создаваемого инструментом при работе.

▲ ОСТОРОЖНО

Если устройство уронили, издает громкий стук или начинает чрезмерно вибрировать, немедленно остановите устройство и проверьте на наличие повреждений или выясните причину вибрации. Любые поврежденные детали должны быть надлежащим образом отремонтированы или заменены в авторизованном сервисном центре.

▲ ОСТОРОЖНО

Проверяйте, что все муфты валов на удлинительной штанге и инструменте надежно закреплены перед каждым использованием и с определенной периодичностью.

ТРАНСПОРТИРОВКА И ХРАНЕНИЕ

- Остановите устройство, извлеките батарею и дайте им остыть перед постановкой на хранение или транспортировкой.
- Очистите устройство от всех посторонних материалов. Храните его в прохладном, сухом, хорошо проветриваемом и недоступном для детей месте. В целях дополнительной безопасности храните батарею отдельно от устройства. Оберегайте от веществ, вызывающих коррозию, например, садовых удобрений или соли для удаления льда.
- Надевайте защитное устройство на режущее полотно перед помещением устройства на хранение или при транспортировке.
- Для транспортировки закрепите изделие так, чтобы оно не могло перемещаться или упасть во избежание травмирования персонала или повреждения изделия.

ТЕХНИЧЕСКОЕ ОБСЛУЖИВАНИЕ

▲ ОСТОРОЖНО

Используйте только оригинальные запчасти, аксессуары и насадки от производителя. Невыполнение этого требования может привести к травме, к снижению производительности и к аннулированию гарантии.

▲ ОСТОРОЖНО

Обслуживание требует чрезвычайной заботы и знания и должно быть выполнено только квалифицированным техником обслуживания. Для обслуживания мы предлагаем, чтобы вы возвратили изделие вашему самому близкому уполномоченному центру обслуживания для ремонта. При обслуживании использовать только идентичные сменные части.

▲ ОСТОРОЖНО

Лезвия имеют острые кромки. Во избежание травм проявляйте крайнюю осторожность при очистке, смазке и установке или снятии защитного устройства для лезвия.

- Извлекайте батарею перед техобслуживанием или очисткой.
- Вы можете также выполнить другие виды регулировки и ремонтные работы, описанные в данном руководстве. По вопросу ремонта обращайтесь в авторизованный сервисный центр.
- После каждого использования протирайте корпус и ручки изделия мягкой сухой тканью.
- После каждого использования, очистите лезвия от мусора жесткой щеткой, а затем аккуратно нанесите на него антикоррозионную смазку перед установкой защитного приспособления для лезвия. Используйте рекомендуемое антикоррозийное покрытие и распыляемую смазку. Следите за тем, чтобы не касаться диска при нанесении смазки. Для получения информации о подходящих распыляемых смазках свяжитесь с местным авторизованным сервисным центром.
- Вы можете при необходимости слегка смазывать лезвия перед эксплуатацией, используя данный метод.
- Проверить все болты, задвижки, и винты, через короткие интервалы, на надлежащую плотность, чтобы убедиться, что изделие находится в безопасном, рабочем состоянии. В случае повреждения какой-либо детали необходимо обратиться в авторизованный сервисный центр для выполнения надлежащего ремонта или замены.

БУДЬТЕ ВСЕГДА ОСТОРОЖНЫ

Даже при использовании данного инструмента строго по назначению, невозможно полностью исключить отдельные факторы риска. При эксплуатации могут возникнуть следующие ситуации, которым пользователь должен уделять особое внимание, чтобы избежать проблем:

- Лопастя не могут быть защищены во время резки. Контакт с лезвиями может привести к серьезной травме. Держать лезвие подальше от себя и других лиц. Держите их закрытыми их защитным приспособлением, если вы не занимаетесь резкой.

- Травмы, вызываемые вибрацией. Применяйте инструмент только по своему назначению, используйте надлежащие ручки и соблюдайте рабочий режим.
- Воздействие шума может привести к повреждению слуха. Носите устройства защиты слуха и ограничивайте продолжительность шумового воздействия.

СНИЖЕНИЕ РИСКА

Считается, что вибрация ручного инструмента может привести к проявлению у отдельных лиц так называемой болезни Рейно (Raynaud's Syndrome). К симптомам могут относиться покалывание, онемение и побеление пальцев (как при переохлаждении). Считают, что наследственные факторы, охлаждение и влажность, диета, курение и практический опыт способствуют развитию этих симптомов. Ниже приводятся меры, которые может принять оператор для снижения воздействия вибрации:

- Одевайтесь теплее в холодную погоду. При работе с устройством пользуйтесь перчатками, чтобы руки и запястья были в тепле. Считается, что холодная погода является основным фактором, способствующим возникновению болезни Рейно (Raynaud's Syndrome).
- После каждого этапа работы выполните упражнения для усиления кровообращения.
- Чаще делайте перерывы в работе. Сократите длительность ежедневного пребывания на открытом воздухе.

При появлении каких-либо из указанных симптомов сразу же прекратите работу и обратитесь по их поводу к врачу.

⚠ ОСТОРОЖНО

Слишком продолжительное использование инструмента может привести к травме. При использовании инструмента в течение длительного времени делайте регулярные перерывы.

ИЗУЧИТЕ УСТРОЙСТВО

См. стр. 125.

1. Пильное полотно
2. Вращающаяся кнопка
3. Удлинительная штанга
4. Муфта вала
5. Лямка ремня
6. Передняя рукоятка
7. Кнопка разблокировки курка
8. Рычажок Вкл/Выкл
9. Подметальная для мусора HedgeSweep™
10. Ножны
11. Привязной ремень
12. Аккумулятор
13. Кнопка фиксатора батареи
14. Зарядное устройство

УСЛОВНЫЕ ОБОЗНАЧЕНИЯ НА ПРОДУКТЕ



Внимание



Внимательно прочитайте все инструкции перед началом работы с продуктом, соблюдайте все предупреждения и инструкции по безопасности.



Носите устройства защиты зрения и слуха, а также защитную каску.



При работе с данным изделием надевайте нескользящую защитную обувь.



Надевайте нескользящие перчатки для работы в тяжелых условиях.



Не подвергайте инструмент воздействию дождя и не используйте в условиях повышенной влажности.



Тянуть: Защелка быстрого отсоединения



Острые режущие лезвия. Во избежание серьезных травм не касайтесь режущих лезвий. Опасность поражения электрическим током. Используйте на расстоянии не менее 10 метров от воздушных линий электропередач.



Помните об опасности, которую представляют собой отбрасываемые устройством или вылетающие из-под него предметы. Не подпускайте посторонних лиц, особенно детей и домашних животных, ближе чем на 15 метров к месту проведения работ. Отработанная электротехническая продукция должна уничтожаться вместе с бытовыми отходами. Утилизируйте, если имеется специальное техническое оборудование. По вопросам утилизации проконсультируйтесь с местным органом власти или предприятием розничной торговли.



Настоящий инструмент отвечает всем официальным стандартам страны ЕС, в которой он был приобретен.



Знак Евразийского Соответствия Сертификат Соответствия № TC RU C-DE.AE61.B.06406
Срок действия Сертификата Соответствия По 05.08.2020
АНО Экспертизы и контроля качества – Центр сертификации «Евро-Тест»
109147 РФ, город Москва,
улица Малая Калитниковская дом 7





Украинский знак стандартизации



Гарантируемый уровень звуковой мощности составляет 95 дБ.

- EN
- FR
- DE
- ES
- IT
- NL
- PT
- DA
- SV
- FI
- NO
- RU**
- PL
- CS
- HU
- RO
- LV
- LT
- ET
- HR
- SL
- SK
- BG
- UK

ОБОЗНАЧЕНИЯ, ИСПОЛЬЗУЕМЫЕ В ДАННОМ РУКОВОДСТВЕ



Детали или принадлежности, приобретаемые отдельно



ПРИМЕЧАНИЕ



Осторожно!

Следующие сигнальные слова и значения предназначены, чтобы объяснить уровни риска, связанного с этим изделием.

⚠ ОПАСНО

Указывает неизбежно опасную ситуацию, которая, если не избежать, кончится смертельным или серьезным ущербом.

⚠ ОСТОРОЖНО

Указывает потенциально опасную ситуацию, которая, если не избежать, может кончаться смертельным или серьезным ущербом.

⚠ ПРЕДОСТЕРЕЖЕНИЕ

Указывает потенциально опасную ситуацию, которая, если не избежать, может кончаться малым или уменьшенным ущербом.

ПРЕДОСТЕРЕЖЕНИЕ

Употребляется без предупреждающего знака

Указывает на ситуацию, которая может привести к повреждению имущества.

Транспортировка:

Категорически не допускается падение и любые механические воздействия на упаковку при транспортировке.

При разгрузке/погрузке не допускается использование любого вида техники, работающей по принципу зажима упаковок.

Хранение:

Необходимо хранить в сухом месте.

Необходимо хранить вдали от источников повышенных температур и воздействия солнечных лучей.

При хранении необходимо избегать резкого перепада температур.

Хранение без упаковки не допускается.

Срок службы изделия:

Срок службы изделия составляет 5 лет.

Не рекомендуется к эксплуатации по истечении 5 лет хранения с даты изготовления без предварительной проверки.

Дата изготовления (код даты) отштампован на поверхности корпуса изделия.

Пример:

W17 Y2015, где Y2015 - год изготовления

W17 – неделя изготовления

Определить месяц изготовления можно согласно приведенной ниже таблице, на примере 2015 года.

Обратите внимание! Количество недель в месяце различается от года в год.

Месяц	Январь	Февраль	Март	Апрель	Май	Июнь	Июль	Август	Сентябрь	Октябрь	Ноябрь	Декабрь	Год
Неделя	01	05	09	14	18	22	27	31	36	40	44	49	2015
	02	06	10	15	19	23	28	32	37	41	45	50	
	03	07	11	16	20	24	29	33	38	42	46	51	
	04	08	12	17	21	25	30	34	39	43	47	52	
	05	09	13	18	22	26	31	35	40	44	48	53	
			14			27							



Bezpieczeństwo, wydajność oraz niezawodność zostały potraktowane jako główny priorytet przy opracowywaniu bezprzewodowych noży do żywopłotu na wysięgniku.

PRZEZNACZENIE

Produkt ten jest przeznaczony wyłącznie do stosowania na zewnątrz pomieszczeń przez jednego operatora, który stoi na stałym podłożu. Ze względów bezpieczeństwa produkt musi być odpowiednio kontrolowany – należy przez cały czas trzymać go obiema rękoma.

Produkt ten jest przeznaczony do użytku domowego. Urządzenie jest przeznaczone do cięcia i przycinania żywopłotów, krzewów i podobnych roślin. Produkt może być wydłużony maksymalnie na 2.93 metra.

Nie przekraczać tej długości roboczej.

Urządzenie należy stosować w warunkach suchych, przy dobrym oświetleniu.

NIE JEST ono przeznaczone do koszenia trawy, piłowania drzew lub konarów. Nie należy używać tego urządzenia w celu innym niż przycinanie żywopłotów.

OGÓLNE OSTRZEŻENIA DOTYCZĄCE BEZPIECZEŃSTWA

⚠ OSTRZEŻENIE

Zapoznaj się ze wszystkimi zasadami bezpieczeństwa i instrukcjami. Niezastosowanie się do ostrzeżeń i instrukcji może spowodować porażenie prądem, pożar oraz/lub poważne obrażenia ciała.

Zachowajcie te ostrzeżenia i zalecenia, aby móc się do nich odnieść w późniejszym czasie.

Termin "elektronarzędzia" stosowany w przedstawionych tu zasadach bezpieczeństwa odnosi się zarówno do urządzeń zasilanych z sieci energetycznej (przewodowych) jak i urządzeń zasilanych z akumulatora (beziprzewodowych).

OTOCZENIE ROBOCZE

- **Miejsce pracy musi być utrzymywane w czystości i dobrze oświetlone.** Obszary zaśmieczone lub niewystarczająco oświetlone mogą być przyczyną wypadku.
- **Nie wolno uruchamiać urządzeń elektrycznych w miejscach, gdzie grozi to wybuchem, na przykład w pobliżu łatwopalnych cieczy, gazów lub pyłów.** Urządzenia elektryczne mogą wytwarzać iskry, które mogą być przyczyną zapłonu pyłów lub oparów.
- **Podczas używania narzędzi elektrycznych należy utrzymywać osoby postronne i dzieci z dala od miejsca pracy.** Odwrócenie uwagi operatora może spowodować utratę kontroli nad urządzeniem.

ZASADY BEZPIECZEŃSTWA DOTYCZĄCE OBSŁUGI URZĄDZEŃ ELEKTRYCZNYCH

- **Wtyczki zasilania elektronarzędzi muszą pasować do gniazd sieciowych.** Nie wolno modyfikować wtyczek w żaden sposób. Nie wolno używać żadnych przejściówek do podłączania urządzeń posiadających przewód zasilania z uziemieniem.

Stosowanie oryginalnych wtyczek i dopasowanych gniazd sieciowych zmniejsza ryzyko porażenia prądem.

- **Unikać kontaktu ciała z powierzchniami uziemionymi lub podłączonymi do bieguna zerowego, np. rury, instalacje grzewcze i chłodnicze.** Kontakt ciała z masą lub uziemieniem zwiększa ryzyko porażenia prądem.
- **Nie narażać tego produktu na działanie deszczu lub wody.** Przedostanie się wody do wnętrza elektronarzędzia zwiększa ryzyko porażenia prądem.
- **Nie uszkodzić przewodu zasilania.** Nie wolno używać przewodu zasilania do przenoszenia, ciągnięcia urządzenia lub jego odłączania z gniazda sieciowego. Przewody elektryczne trzymać z dala od źródeł ciepła, oleju, ostrych krawędzi lub ruchomych elementów. Uszkodzony lub zaplątany przewód elektryczny zwiększa ryzyko porażenia prądem.
- **W przypadku używania urządzenia na zewnątrz, ewentualne przedłużacze muszą być do tego przystosowane.** Zastosowanie przedłużacza przystosowanego do warunków zewnętrznych zmniejsza ryzyko porażenia prądem.
- **Jeśli nie można uniknąć użytkowania urządzenia elektrycznego w warunkach wilgotnych, należy je zasilac z obwodu zabezpieczonego wyłącznikiem różnicowo-prądowym (RCD).** Zastosowanie takiego wyłącznika pozwala zmniejszyć ryzyko porażenia prądem elektrycznym.

BEZPIECZEŃSTWO OSOBISTE

- **Zachowywać skupienie, uważnie obserwować wykonywane czynności, stosować zasady zdrowego rozsądku podczas obsługi urządzenia.** Nie używać urządzeń elektrycznych w stanie zmęczenia lub będąc pod wpływem leków, alkoholu lub środków odurzających. Moment nieuwagi podczas obsługi elektronarzędzia może być przyczyną poważnego zranienia.
- **Stosować środki ochrony osobistej. Zawsze nosić okulary ochronne.** Stosowanie takich środków ochrony osobistej jak maska przeciwpyłowa, obuwie antypoślizgowe, twarde nakrycie głowy, nauszники pozwoli zmniejszyć ryzyko zranienia.
- **Unikać możliwości przypadkowego uruchomienia urządzenia.** Przed podłączeniem do zasilania/ założeniem akumulatora lub w celu jego podniesienia lub przeniesienia należy upewnić się, że wyłącznik zasilania znajduje się w położeniu wyłączonym. Przenoszenie elektronarzędzia z palcem na wyłączniku lub podłączenie zasilania do urządzenia, w którym wyłącznik znajduje się w położeniu włączonym grozi wypadkiem.
- **Usunąć wszelkie narzędzia i klucze przed włączeniem zasilania.** Uruchomienie elektronarzędzia z kluczem założonym na ruchomym elemencie grozi poważnym wypadkiem.
- **Nie sięgać zbyt daleko.** Należy cały czas pewnie opierać stopy i utrzymywać równowagę. Zapewni to lepsze panowanie nad urządzeniem w nieprzewidzianych sytuacjach.





- Należy zakładać odpowiednią odzież ochronną. Nie zakładać luźnego ubioru ani biżuterii. Trzymać włosy, ubranie i okulary z dala od ruchomych elementów. Mogą być one wciągnięte przez ruchome części urządzenia.
- Jeśli używane urządzenie posiada przyłączyć do wyciągu i gromadzenia kurzu, należy go używać w odpowiedni sposób. Stosowanie metod usuwania pyłu zmniejsza zagrożenie związane z jego gromadzeniem.

UŻYTKOWANIE I KONSERWACJA URZĄDZEŃ ELEKTRYCZNYCH

- Nie przeciążać urządzenia. Używać odpowiedniego narzędzia do odpowiedniego rodzaju prac. Najlepsze efekty pracy, przy zachowaniu pełnego bezpieczeństwa, zapewni używanie urządzeń w zakresie parametrów znamionowych i stosownie do ich przeznaczenia.
- Nie używać tego urządzenia, jeśli wyłącznik nie pracuje poprawnie. Używanie elektronarzędzia bez sprawnego wyłącznika jest zbyt niebezpieczne - należy oddać je do naprawy.
- Przed przystąpieniem do regulacji, wymiany akcesoriów lub przed odłożeniem elektronarzędzia w miejsce przechowywania należy wyjąć wtyczkę z gniazda sieciowego lub wyjąć akumulator. Tego rodzaju środki zapobiegawcze pozwolą zmniejszyć ryzyko przypadkowego uruchomienia elektronarzędzia.
- Nieużywane urządzenia należy przechowywać poza zasięgiem dzieci. Nie wolno zezwalać osobom nie obeznanym z obsługą urządzeń elektrycznych na ich używanie. Urządzenia elektryczne mogą być niebezpieczne w rękach osób nieposiadających odpowiedniego przygotowania.
- Urządzenia elektryczne wymagają konserwacji. Należy sprawdzać wyrównanie elementów ruchomych, sprawdzać, czy nie ma jakichkolwiek uszkodzeń, uwzględniać wszelkie aspekty mające wpływ na bezpieczną pracę urządzenia. W przypadku stwierdzenia uszkodzeń, oddać urządzenie do naprawy. Wiele wypadków spowodowane jest używaniem urządzeń w niewłaściwym stanie technicznym.
- Elementy tnące muszą być ostre i czyste. Odpowiednio ostre krawędzie tnące ułatwią prowadzenie urządzenia i są bardziej odporne na uszkodzenie.
- Wszelkie urządzenia, przystawki, akcesoria itp. należy używać zgodnie z dołączonymi instrukcjami obsługi, z uwzględnieniem warunków i charakteru wykonywanej pracy. Używanie narzędzi w sposób niezgodny z ich przeznaczeniem grozi poważnym niebezpieczeństwem.

UŻYTKOWANIE I OBSŁUGA AKUMULATORA

- Ładować wyłącznie za pomocą ładowarki dostarczonej przez producenta. Ładowarka przeznaczona do jednego modelu akumulatora może być przyczyną pożaru w przypadku zastosowania do ładowania akumulatora innego typu.
- Używać narzędzi ręcznych z napędem elektrycznym

wyłącznie z akumulatorami przeznaczonymi do tych urządzeń. Używanie innych akumulatorów wiąże się ze zwiększonym ryzykiem pożaru lub obrażeń ciała.

- Gdy akumulator nie jest używany, przechowywać go z dala od innych metalowych przedmiotów, np. spinaczy, monet, kluczy, gwoździ, śrub lub innych małych metalowych przedmiotów, które mogłyby utworzyć połączenie między stykami, prowadząc do zwarcia. Zwarcie styków akumulatora może spowodować oparzenia lub pożar.
- W przypadku niewłaściwej obsługi może dojść do wycieku płynu z akumulatora, należy unikać kontaktu z tym płynem. Miejsce ewentualnego kontaktu przepłukać wodą. W przypadku, gdy płyn dostanie się do oczu, po przemyciu zwrócić się o pomoc do lekarza. Płyn wyciekający z akumulatora może powodować podrażnienia i oparzenia.

KONSERWACJA

- Urządzenie elektryczne powinno być naprawiane przez wykwalifikowany personel, z zastosowaniem identycznych części zamiennych. Dzięki temu zapewnione będzie bezpieczeństwo użytkownika urządzenia.

OSTRZEŻENIA DOTYCZĄCE BEZPIECZNEJ OBSŁUGI NOŻYCE DO ŻYWOPIŁOTU NA WYSIĘGNIKU

- Wszystkie kończyny należy trzymać z dala od ostrza. Chwila nieuwagi podczas obsługi urządzenia może spowodować poważne urazy ciała.
- Nożyce do żywoplotu na wysięgniku należy przenosić za uchwyt, gdy ostrze tnące jest zatrzymane. W przypadku transportu lub przechowywania nożyc do żywoplotu na wysięgniku zawsze należy zakładać osłonę ostrza tnącego. Prawidłowe obchodzenie się z nożycami do żywoplotu na wysięgniku ograniczy ryzyko urazów ciała.
- Elektronarzędzie należy trzymać wyłącznie za izolowane powierzchnie uchwytów, ponieważ ostrze może zetknąć się z ukrytą instalacją elektryczną pod napięciem. Kontakt ostrza z przewodem pod napięciem może spowodować przepływ prądu przez metalowe elementy urządzenia i porażenie operatora.

DODATKOWE OSTRZEŻENIA DOTYCZĄCE BEZPIECZEŃSTWA

- Oczyszczyć miejsce pracy każdorazowo przed rozpoczęciem pracy. Należy usunąć wszelkie objekty, takie jak przewody, światła lub druty, ponieważ mogą być one odrzucone przez ostrza lub mogą się w nie zaplątać.
- Należy zwrócić uwagę na wyrzucane objekty; wszyscy przechodnie, dzieci oraz zwierzęta muszą znajdować się w odległości 15 m od obszaru pracy.
- Przez cały czas należy sprawdzać, czy za krzakami lub roślinami, które mają być przycinane, nie ma żadnych osób lub zwierząt.
- Nie pracować w słabym oświetleniu. Operator musi dobrze widzieć miejsce pracy, aby móc zidentyfikować potencjalne zagrożenia.





- Przed każdym użyciem należy sprawdzić maszynę. Należy sprawdzić, czy mocowania nie są poluzowane, upewnić się, czy wszystkie osłony oraz uchwyty są prawidłowo i solidnie zamocowane. Wymienić wszystkie uszkodzone elementy przed rozpoczęciem użytkowania.
- Nie wolno modyfikować maszyny w żaden sposób.
- Nie wolno zezwalać dzieciom ani osobom bez odpowiedniego przeszkolenia na korzystanie z tego urządzenia.
- Należy nosić pełne zabezpieczenie oczu i uszu podczas obsługi produktu. W przypadku pracy w miejscu, gdzie występuje ryzyko spadających przedmiotów, należy nosić kask.
- Założyć grube, długie spodnie, wysokie buty i rękawice. Nie należy nosić luźnego ubrania, krótkich spodenek, biżuterii oraz nie chodzić boso.
- Długie włosy należy zabezpieczyć w taki sposób, aby znajdowały się powyżej poziomu ramion, co pozwoli uniknąć ryzyka ich zaplątania w ruchome elementy urządzenia.
- Nie wolno obsługiwać tego urządzenia w stanie zmęczenia, choroby, będąc pod wpływem alkoholu, środków odurzających lub lekarstw.
- Stać stabilnie, zachowując równowagę. Nie sięgać zbyt daleko. Nadmierne wychylenie się może spowodować utratę równowagi i może spowodować poważne urazy ciała.
- Przed uruchomieniem urządzenia należy upewnić się, że ostrza tnące nie dotkną żadnego przedmiotu.
- Przed uruchomieniem urządzenia należy sprawdzić, czy jest ono właściwie ustawione w położeniu roboczym.
- Podczas obsługi nożyc do żywopłotu na wysięgniku zawsze należy trzymać je obiema rękoma, chwytając obu uchwyty, zwracając uwagę na zapewnienie bezpiecznej i pewnej pozycji roboczej. Producent nie zaleca stosowania stopni ani drabin.
- Użyć uprząży, jeśli nożyce do żywopłotu na wysięgniku są w nią wyposażone. Pomoże ona również utrzymać produkt podczas pracy i podczas zmiany miejsca cięcia. Należy starannie wyregulować uprząż, aby zapewnić komfortowe dopasowanie.
- Należy sprawdzić, w jaki sposób należy obsługiwać mechanizm szybkiego zwalniania i przećwiczyć używanie go przed uruchomieniem maszyny. Prawidłowe użycie może zapobiec poważnym obrażeniom ciała w razie nagłej sytuacji. Nigdy nie należy zakładać dodatkowej odzieży na uprząż, ponieważ spowodowałoby to ograniczenie dostępu do mechanizmu szybkiego zwalniania.
- Aby nie doszło do śmiertelnego porażenia prądem elektrycznym, nie wolno wykonywać prac w odległości poniżej 10 metrów od napowietrznych linii elektrycznych.
- Nigdy nie wolno używać nożyc do żywopłotu na wysięgniku w pobliżu ogrodzeń, słupów, budynków lub innych stałych obiektów.
- Ostrza są ostre. Podczas prac związanych z zespołem ostrza, należy nosić antypoślizgowe, grube rękawice

ochronne. Nie wkładać rąk lub palców pomiędzy ostrza ani w miejsce, gdzie może dojść do przecięcia lub zakleszczenia. Nigdy nie wolno dotykać ostrza ani serwisować urządzenia, jeśli pakiet akumulatora nie został odłączony.

- Wyłączyć i wyjąć pakiet akumulatora przed:
 - regulacja położenia roboczego elementu tnącego
 - czyszczenie lub usuwanie blokad
 - pozostawianie produktu bez nadzoru
 - sprawdzenie, konserwacja lub obsługa produktu.
- Nie wymuszać pracy przycinarki w gęstych krzewach. Może to spowodować stępienie noży i zwolnienie ich pracy. Gdy noże zwalnają, zmniejszyć prędkość posuwu.
- Nie należy próbować przecinać konarów lub gałęzi o średnicy większej niż 18 mm lub zbyt dużych. Do docinania większych konarów należy używać piły ręcznej lub piły ogrodniczej.
- Stosowanie środków ochrony słuchu zmniejsza słyszalność ostrzeżeń (alarmów, okrzyków). Należy zwracać większą uwagę na to, co dzieje się w miejscu pracy.
- Nie wolno używać nożyc do żywopłotu z wysięgnikiem z uszkodzonym lub nadmiernie zużyтым ostrzem tnącym.
- Należy zawsze pamiętać o otoczeniu i zachować czujność, aby uniknąć możliwych zagrożeń, które mogą być niesłyszalne z powodu hałasu wytwarzanego przez maszynę.

⚠ OSTRZEŻENIE

W przypadku upuszczenia maszyny, narażenia jej na silne uderzenie lub w przypadku wystąpienia nietypowych wibracji należy natychmiast zatrzymać maszynę i sprawdzić, czy nie ma oznak uszkodzenia lub ustalić przyczynę wibracji. Wszelkie uszkodzone części muszą być odpowiednio naprawione lub wymienione w autoryzowanym punkcie serwisowym.

⚠ OSTRZEŻENIE

Przed każdym użyciem i z regularną częstotliwością należy sprawdzać, czy wszystkie połączenia wału na drążku wydłużającym oraz narzędziu są dobrze zamocowane.

TRANSPORT I PRZECHOWYWANIE

- Przed schowaniem lub transportem produktu należy zatrzymać go, wyjąć akumulator i odczekać, aż ostygnie.
- Usunąć z produktu wszelkie zanieczyszczenia. Należy przechowywać urządzenie w chłodnym, suchym i dobrze wentylowanym miejscu, które jest niedostępne dla dzieci. Aby zapewnić wyższy poziom bezpieczeństwa, akumulator należy przechowywać oddzielnie od produktu. Nie chowajcie jej w pobliżu czynników żrących, takich jak ogrodowe produkty chemiczne czy sole odmrażające. Nie przechowywać na zewnątrz.

EN
FR
DE
ES
IT
NL
PT
DA
SV
FI
NO
RU
PL
CS
HU
RO
LV
LT
ET
HR
SL
SK
BG
UK



- Do przechowywania lub transportu na ostrze należy zakładać osłonę.
- W przypadku transportu produktu należy zabezpieczyć go przed przemieszczaniem się lub upadkiem, aby nie dopuścić do obrażeń ciała lub uszkodzenia urządzenia.

KONSERWACJA

⚠ OSTRZEŻENIE

Należy stosować wyłącznie oryginalne części zamienne, akcesoria oraz przystawki producenta. W przeciwnym razie może dojść do obrażeń ciała, niskiej wydajności oraz do unieważnienia gwarancji.

⚠ OSTRZEŻENIE

Serwisowanie wymaga wyjątkowej staranności i wiedzy. Może być wykonywane wyłącznie przez wykwalifikowany personel serwisowy. W celu naprawy zaleca się oddać kosiarzkę do najbliższego autoryzowanego punktu serwisowego. Do napraw używać wyłącznie identycznych zamienników.

⚠ OSTRZEŻENIE

Ostrza są ostre. Aby uniknąć obrażeń ciała, należy zachować szczególną ostrożność przy czyszczeniu, smarowaniu oraz montażu i demontażu osłony ostrza.

- Przed konserwacją lub czyszczeniem należy wyjąć akumulator.
- Możesz wykonywać czynności regulacyjne i naprawcze opisane w tej instrukcji obsługi. W przypadku innych napraw należy skontaktować się autoryzowanym punktem serwisowym.
- Po każdym użyciu należy wyczyścić korpus oraz uchwyty produktu miękką, suchą szmatką.
- Po każdym użyciu należy usunąć pozostałości z ostrzy za pomocą sztywnej szczotki, a następnie, przed montażem osłony ostrza, ostrożnie nanieść środek smarny chroniący przed rdzą. Stosować zalecany środek antykorozyjny i smarujący. Unikać kontaktu z ostrzem podczas nanoszenia równomiernej warstwy smaru. Informacje na temat odpowiedniego produktu natryskowego można uzyskać w lokalnym autoryzowanym punkcie serwisowym.
- Przy pomocy powyżej metody można nasmarować lekko ostrza przed użyciem, jeśli występuje taka potrzeba.
- Systematycznie sprawdzać, czy wszystkie nakrętki, wkręty i śruby są dobrze dokręcone, aby upewnić się, że produkt jest w bezpiecznym stanie. Każdą uszkodzoną część należy odpowiednio naprawić lub wymienić w autoryzowanym punkcie serwisowym.

RYZIKO ZWIĄZANE Z UŻYTKOWANIEM:

Nawet jeśli urządzenie jest używane zgodnie z zaleceniami, nadal nie jest możliwe wyeliminowanie określonych czynników ryzyka. Następujące zagrożenia mogą wystąpić

podczas używania urządzenia i operator powinien zwracać szczególną uwagę na poniższe punkty:

- Ostrzy nie można zabezpieczyć podczas cięcia. Zetknięcie z ostrzami może spowodować poważne urazy ciała. Nie zbliżać ostrza do swojego ciała ani do innych osób. Gdy ostrze nie jest używane, należy zabezpieczyć je osłoną.
- Urazy ciała spowodowane przez wibracje. Zawsze należy używać do określonego zadania odpowiednich narzędzi, korzystać z przeznaczonych do tego uchwytów i stosować się do zaleceń dotyczących czasu pracy i narażenia.
- Narażenie na hałas może spowodować utratę słuchu. Należy nosić środki ochrony uszu oraz ograniczyć poziom narażenia.

OGRANICZENIE RYZYKA

Badania dowodzą, że wibracje powodowane przez narzędzia ręczne mogą wywoływać u niektórych osób objawy syndromu Raynauda. Typowe objawy to mrowienie, drętwienie i blednięcie palców, widoczne zwykle po wystawieniu na działanie zimna. Uważa się, że czynniki dziedziczne, wystawienie na działanie zimna i wilgoci, dieta, palenie papierosów i przyjęte zwyczaje przyczyniają się do rozwoju tych objawów. Istnieją środki zaradcze, które może podjąć operator narzędzia, aby zmniejszyć efekt wibracji:

- Zadbaj w niskich temperaturach o ciepłotę własnego ciała, zakładając odpowiednie ubranie. Podczas obsługi urządzenia należy nosić rękawice, aby dłonie i nadgarstki były ciepłe. Wiadomo, że niskie temperatury są główną przyczyną powstawania objawu Raynauda.
- Podczas przerw w pracy należy wykonywać ćwiczenia poprawiające krążenie krwi..
- Podczas pracy robić częste przerwy. Ograniczyć ekspozycję w ciągu dnia.

W razie doświadczenia dowolnego z wymienionych objawów, należy niezwłocznie zaprzestać użytkowania tego urządzenia i skontaktować się z lekarzem.

⚠ OSTRZEŻENIE

Długotrwałe użytkowanie narzędzia może spowodować obrażenia ciała lub nasilić dolegliwości zdrowotne. W przypadku używania narzędzia przed dłuższy czas należy pamiętać o regularnych przerwach.

ZAPOZNAJ SIĘ ZE SWOIM PRODUKTEM

Patrz str. 125.

1. Ostrze
2. Przycisk odchylania
3. Drażek przedłużający
4. Połączenie wału
5. Wieszak uprząży
6. Przedni uchwyt
7. Przycisk odblokowania spustu-włącznika
8. Spust wł./wyl
9. Zamiatarka ogrodowa HedgeSweep™
10. Pochwa

11. Uprząż
12. Akumulator
13. Przycisk zatrzasku akumulatora
14. Ładowarka



Maksymalny poziom natężenia hałasu wynosi 95 dB.

SYMBOLE PRODUKTU



Alarm bezpieczeństwa



Należy przeczytać i zrozumieć wszystkie instrukcje przed rozpoczęciem obsługi produktu oraz przestrzegać wszystkich ostrzeżeń i instrukcji dotyczących bezpieczeństwa.



Stosować środki ochrony oczu, uszu i głowy.



Podczas korzystania z tego produktu należy zakładać wysokie, antypoślizgowe obuwie ochronne.



Zakładać antypoślizgowe, grube rękawice ochronne.



Nie wystawiać urządzenia na działanie deszczu ani nie używać w miejscach o dużej wilgotności.



Ciągnięcie: Wypust szybkozłączca



Ostre ostrza. Aby nie dopuścić do poważnych urazów ciała, nie należy dotykać ostrzy.



Zagrożenie związane z prądem elektrycznym. Zachować odległość przynajmniej 10 metrów od napowietrznych linii elektrycznych.



Uwaga na odrzucane przedmioty. Trzymać wszystkie osoby postronne, szczególnie dzieci i zwierzęta, w odległości przynajmniej 15 m od miejsca pracy.



Zużyte produkty elektryczne nie powinny być utylizowane z odpadami domowymi. Prosimy poddawać recyklingowi w odpowiednich miejscach. Informacje o właściwych metodach recyklingu można uzyskać u władz lokalnych lub sprzedawcy.



Narzędzie to spełnia wymogi wszystkich norm reglamentacji kraju UE, w którym było ono zakupione.



Znak zgodności EurAsian



Ukraiński znak zgodności

IKONY UŻYWANE W TYM PODRĘCZNIKU



Części lub akcesoria sprzedawane oddzielnie



OBJAŚNIENIE



Ostrzeżenie!

Poniższe symbole i nazwy które im nadano, pozwalają wyjaśnić różne poziomy ryzyka związanego z używaniem tego narzędzia.

⚠ NIEBEZPIECZEŃSTWO

Wskazuje na realne zagrożenie, które może spowodować śmierć lub poważne zranienie, jeżeli się nie uniknie tego niebezpieczeństwa.

⚠ OSTRZEŻENIE

Wskazuje na potencjalne zagrożenie, które może spowodować śmierć lub poważne zranienie, jeżeli się nie uniknie tego niebezpieczeństwa.

⚠ UWAGA

Wskazuje na potencjalne zagrożenie, które może spowodować mniejsze lub bardziej poważne zranienie, jeżeli się nie uniknie tego niebezpieczeństwa.

UWAGA

Bez symbolu ostrzeżenia

Sytuacja, która może grozić uszkodzeniem mienia.



Bezpečnost, výkon a spolehlivost byli hlavní prioritou při návrhu vašeho bezdrátového plotostříhu s dlouhým dosahem.

ZAMÝŠLENÉ POUŽITÍ

Výrobek je určen pouze pro použití ve venkovním prostředí jednou obsluhou, která stojí na zemi a má pevný postoj. Z bezpečnostních důvodů se musí výrobek vždy řádně obsluhovat oběma rukama.

Tento výrobek je navržen pro domácí používání. Tento výrobek je navržen pro sekání a úpravu živých plotů, keřů a podobné vegetace. Výrobek je navržen tak, aby se dal prodloužit na maximální délku 2,93 metrů.

Nepřekračujte tuto pracovní délku.

Měl by se používat v suchých, dobře osvětlených podmínkách.

NENÍ určen pro sekání trávy, stromů nebo větví. Neměl by se používat pro jiné účely než stříhání živých plotů.

VŠEOBECNÁ BEZPEČNOSTNÍ VAROVÁNÍ

VAROVÁNÍ

Přečtěte si všechny pokyny a bezpečnostní varování.

Opomenutí dodržování varování a pokynů uvedených níže může způsobit úraz elektrinou požár a/nebo vážná poranění osob.

Uchovejte všechny pokyny a upozornění, abyste se k nim mohli v budoucnosti vrátit.

Pojem „elektricky poháněný nástroj“ ve varování poukazuje na váš nástroj, který je napájen pomocí napájecího kabelu z elektrické sítě (s kabelem) nebo z baterie (bez přívodního kabelu).

PRACOVNÍ PROSTŘEDÍ

- **Udržujte pracovní prostor čistý a dobře osvětlený.** Zatarasené nebo tmavé oblasti vedou k nehodám.
- **Neppracujte s tímto elektricky poháněným nástrojem ve výbušných prostředích, například v přítomnosti hořlavých kapalin, plynů nebo prachu.** Elektricky poháněné nástroje vytváří jiskry, které mohou zapálit prach nebo výpary.
- **Udržujte děti a přihlížející během práce s elektricky poháněným nástrojem stranou.** Rozptylování může způsobit ztrátu kontroly.

ELEKTRICKÁ BEZPEČNOST

- **Zástrčky elektricky poháněného nástroje musí být shodné s elektrickou zásuvkou.** Nepokoušejte se zástrčku jakýmkoliv způsobem upravovat. Nepoužívejte žádný adaptér zástrček se zemněným (uzemněným) elektricky poháněným nástrojem. Neupravené zástrčky a shodné zásuvky snižují nebezpečí elektrického úrazu.
- **Předcházejte tělesnému kontaktu s uzemněnými nebo zemněnými povrchy, například trubkami, radiátory, sporáky a lednicemi.** Je zde zvýšené nebezpečí zásahu elektrickým proudem, pokud je vaše tělo zemněno nebo uzemněno.

- **Nevystavujte tento přístroj dešti nebo vlhkým podmínkám.** Voda vnikající do elektricky poháněného nástroje zvyšuje nebezpečí elektrického úrazu.
- **Nepoškoďte napájecí kabel. Nikdy pro odpojování, táhnutí nebo přenášení elektricky poháněného nástroje nepoužívejte kabel.** Udržujte kabel mimo horké plochy, olej, pohyblivé součásti nebo ostré hrany. Poškozené nebo zamotané kabely zvyšují nebezpečí elektrického úrazu.
- **Pokud používáte elektricky poháněný nástroj ve venkovním prostředí, používejte prodlužovací kabel vhodný pro venkovní prostředí.** Použití kabelu vhodného pro venkovní prostředí snižuje nebezpečí elektrického úrazu.
- **Pokud používáte elektricky poháněný nástroj ve vlhkém prostředí, je nezbytné používat proudový chránič (PCH).** Použitím PCH snížíte nebezpečí poranění elektrickým proudem.

OSOBNÍ BEZPEČNOST

- **Budte ve střehu, hlídejte, co děláte a používejte zdravý rozum při provozu tohoto elektricky poháněného nástroje.** Elektrický nástroj nepoužívejte, pokud jste unaveni nebo pod vlivem drog, alkoholu nebo léků. Chvilce nepozornosti při práci s tímto elektricky poháněným nástrojem může způsobit vážná poranění osob.
- **Používejte osobní ochrannou výbavu. Vždy noste ochranu očí.** Ochranná výbava jako respirátor, protiskluzová obuv, ochranná přilba nebo ochrana sluchu použitá pro příslušné podmínky snižuje osobní poranění.
- **Zabraňte náhodnému spuštění. Zabezpečte, aby byl spínač v poloze vypnuto (off) před připojením zdroje energie a/nebo bloku baterií, přípravou nebo nesením nástroje.** Nošení elektrického nástroje s vaším prstem na spínači nebo se zapojenou zástrčkou elektrického nástroje může při zapnutí vést k nehodě.
- **Odstraňte všechny seřizovací klíče nebo šroubováky, než zapnete poháněný nástroj.** Klíč nebo šroubovák ponechaný přiložený k pohyblivému dílu elektricky poháněného nástroje může způsobit poranění osob.
- **Nepřeceňujte se. Udržujte řádné postavení a rovnováhu po celou dobu práce.** Toto umožňuje lepší ovládání poháněného nástroje v neočekávaných situacích.
- **Správně se oblékejte. Nenoste volný oděv nebo šperky. Udržujte svoje vlasy, oděv a rukavice mimo pohyblivé části.** Volný oděv, šperky nebo dlouhé vlasy mohou být zachyceny do pohyblivých dílů.
- **Pokud jsou zařízení vybavena přípojkou pro odsávání prachu a sběrným zařízením, ujistěte se, že jsou správně připojena k nástroji, a že se správně používají.** Použití odsavače prachu může snížit nebezpečí související s prachem.

POUŽITÍ A PÉČE O NÁSTROJ

- **Nepoužívejte nadměrnou sílu na nástroj. Nářadí vybírejte podle povahy práce, kterou chcete provádět.** Správný elektricky poháněný nástroj bude





svou práci provádět lépe a bezpečněji při práci, pro kterou byl navržen.

- **Elektricky poháněný nástroj nepoužívejte, pokud spínač nezapíná a nevypíná.** Každý elektricky poháněný nástroj, který nemůže být ovládán spínačem, je nebezpečný a musí být opraven.
- **Odpojte zástrčku od zdroje napájení a/nebo bateriový modul dříve, než provedete jakákoliv nastavení, výměnu příslušenství nebo než elektrický nástroj uložíte.** Také bezpečnostní preventivní opatření snižují riziko náhodného spuštění elektrického nástroje.
- **Ukládejte nečinný elektricky poháněný nástroj mimo dosah dětí a nenechávejte neznámé osoby pracovat s elektricky poháněným nástrojem nebo s těmito pokyny k obsluze elektrického nástroje.** Elektricky poháněné nástroje jsou nebezpečné v rukou nekvalifikovaných uživatelů.
- **Udržujte elektrické nástroje. Kontrolujte vychýlení nebo zasekávání pohyblivých dílů, rozbité části a každé jiné podmínky, které mohou ovlivnit funkci elektricky poháněných nástrojů. Zjistí-li se poškození, musí se elektricky poháněný nástroj před použitím opravit.** Mnoho úrazů je způsobeno nedostatečně udržovanými elektricky poháněnými nástroji.
- **Udržujte řezné nástroje ostré a čisté.** Řádně udržované řezné nástroje s ostrými řeznými hranami mají nízkou pravděpodobnost zaseknutí a jsou snadněji ovladatelné.
- **Poháněné nástroje, příslušenství a vrtáky, atd. používejte v souladu s těmito pokyny s ohledem k pracovním podmínkám a práci, která má být provedena.** Použití elektricky poháněného nástroje pro práce jiné, než zamýšlené by mohlo mít za následek nebezpečnou situaci.

POUŽITÍ A PÉČE O NÁSTROJ NA BATERIE

- **Dobíjejte pouze nabíječkou určenou výrobcem.** Nabíječka, která je vhodná pro jeden typ akumulátoru může způsobit nebezpečí požáru, pokud se používá s jiným bateriovým modulem.
- **Elektrický nástroj používejte pouze s přesně určeným bateriovým modulem.** Použití jakéhokoliv jiného akumulátoru může způsobit nebezpečí poranění a požáru.
- **Pokud akumulátor nepoužíváte, uchovávejte jej mimo kovové předměty jako svorky pro papír, mince, klíče, hřebíky, šrouby nebo jiné malé kovové předměty, které mohou vytvořit propojení jednoho vývodu s druhým.** Zkratování vývodů baterie může způsobit požár nebo popálení.
- **Za nevhodných podmínek může z baterie vytékat kapalina; zabraňte kontaktu.** Pokud dojde k náhodnému kontaktu, omyjte vodou. Pokud kapalina přijde do kontaktu s očima, vyhledejte lékařskou pomoc. Kapalina vytečená z baterie způsobit podráždění nebo popálení.

ÚDRŽBA

- **Váš elektricky poháněný nástroj smí opravovat pouze kvalifikovaný opravárenský pracovník a musí používat pouze shodné náhradní díly.** Toto zajišťuje udržování bezpečnosti elektricky poháněného nástroje.

BEZPEČNOSTNÍ VAROVÁNÍ K TYČOVÉ NŮŽKY PRO ŽIVÝ PLOT

- **Udržujte všechny části těla mimo ostří nože.** Chvilé nepozornosti při práci s tímto výrobkem může způsobit vážná osobní poranění.
- **Násadový plotostřih přenášejte za rukojeť se zastavenou žací lištou.** Pokud přepravujete nebo ukládáte násadový plotostřih, vždy nasadte ochranné pouzdro. Správná obsluha násadového plotostřihu snižuje možné osobní poranění od řezacích nožů.
- **Elektrický nástroj držte pouze za izolované úchopovou plochu, protože může dojít ke styku nože se skrytými vodiči.** Kontakt s nože „živým“ vodičem způsobí, že kovové části elektrického nástroje se stanou také „živými“ a způsobí elektrický úraz obsluze.

DOPLŇUJÍCÍ BEZPEČNOSTNÍ VAROVÁNÍ

- **Před každým použitím si vyčistěte pracovní oblast.** Odstraňte všechny předměty, například kabely, svítidla, dráty nebo strunu, které se mohou vymrštit nebo zamotat do sekacího nástroje.
- **Vyhýbejte se při sekání odmršťování předmětů; všechny přihlízející, zvláště děti a zvířata, udržujte ve vzdálenosti alespoň 15 m od pracovní oblasti.**
- **Neustále sledujte osoby či zvířata před nebo za plotem či křovinami, které se mají stříhat.**
- **Neprovozujte při slabém osvětlení.** Obsluha musí mít čistý výhled na pracovní oblast k identifikaci potenciálních nebezpečí.
- **Zkontrolujte nástroj před každým použitím.** Zkontrolujte včetně, zda nejsou uvolněny upínací a zda jsou všechny chrániče, vodičí plechy a rukojeť řádně a bezpečně připojeny. Před použitím vyměňte jakékoliv poškozené součásti.
- **Nástroj nijak neupravujte.**
- **Nenechávejte děti nebo neproškolené osoby používat tento přístroj.**
- **Při práci s výrobkem používejte kompletní ochranu zraku a sluchu.** Noste ochrannou helmu, kde hrozí nebezpečí pádu předmětů.
- **Noste silné dlouhé kalhoty, boty a rukavice.** Nenoste volné oděvy, krátké kalhoty, jakékoli šperky; nebuďte při práci bosí.
- **Dlouhé vlasy si svažte nad rameny, aby se nemohly zaplést do pohyblivých částí.**
- **Nepoužívejte, pokud jste unaveni nebo pod vlivem drog, alkoholu nebo léků.**
- **Udržujte bezpečné postavení a rovnováhu.** Nepřeceňujte se. Přeceňování může mít za následek



ztrátu rovnováhy a vážné poranění.

- Před spuštěním nástroje se ujistěte, že nože nůžek nejsou s ničím v kontaktu.
- Ujistěte se, že je nástroj správně umístěn v navržené provozní poloze před spuštěním nástroje.
- Při stříhání živého plotu držte vždy násadový plotostřih pevně oběma rukama a zajistěte, abyste měli bezpečnou pracovní polohu. Výrobce nedoporučuje používat žebřík nebo schůdky.
- Použijte popruh, pokud je dodán s násadovým plotostřihem. To rovněž pomůže podpořit hmotnost stroje během používání a současně pohyb mezi místy sečení. Popruhy seřídte tak, aby byly pohodlné.
- Vyhleďte si jak obsluhovat rychlospojku a naučte se ji používat před první obsluhou nástroje. Její správné používání může zabránit v nouzi vážným poraněním. Nikdy nenoste doplňující oděv přes popruhy nebo jinak neomezujte přístup k rychlospojce.
- Pro zabránění zabití elektrickým proudem nepoužívejte ve vzdálenosti menší jak 10 m od venkovních rozvodů elektřiny.
- Nikdy nepoužívejte plotostřih blízko rozvodů elektřiny, plotů, sloupů, budov nebo jiných nepřesouvatelných objektů.
- Žací lišty jsou ostré. Noste neklouzavé, odolné ochranné rukavice, když manipulujete s žací lištou. Nedávejte své ruce a prsty mezi žací lišty nebo do jakéhokoliv místa, kdy by se mohli uřezat nebo přiskřípnout. Nikdy se nedotýkejte žací lišty ani neprovádějte údržbu zařízení, pokud není vyndán akumulátor.
- Vypněte a vyjměte akumulátor před:
 - seřídte pracovní polohu řezacího zařízení
 - čištění nebo odstranění ucpávký
 - ponechání výrobku bez dozoru
 - kontrola, údržba nebo práce na nástroji,
- Nepoužívejte násilí při stříhání tvrdých keřů. Může to způsobit zaseknutí nože do dřeva a zpomalování. Pokud se nože zpomalují, snižte rychlost.
- Nepokoušejte se řezat větve nebo kmeny silnější než 18 mm nebo evidentně příliš silné, na které nože nestačí. Použijte neelektrickou ruční pilu nebo vyvrtávací pilu pro řezání velkých větví.
- Uvědomte si, že použití ochrany sluchu snižuje vaši schopnost slyšet varování (poplachu nebo výkřiky). Obsluha si musí být tohoto vědoma a platí speciální upozornění, aby si všimla události v jeho pracovní oblasti.
- Nepokoušejte se plotostřih provozovat s poškozenými nebo velmi opotřebenými noži.
- Vždy si hlídejte své okolí a buďte připraveni na možná nebezpečí, které nemusí být slyšet z důvodu hluku stroje.

VAROVÁNÍ

Pokud začne po pádu, silných nárazech nástroj nenormálně vibrovat, zastavte nástroj a ihned zjistěte příčinu vibrací a rozsah škod. Pokud je nějaká část poškozena, musí se nechat řádně opravit nebo vyměnit pověřeným servisním střediskem.

VAROVÁNÍ

Zkontrolujte všechny spojky násady na prodlužovací násadě a nástroje, že jsou bezpečně připevněny před každým použitím a v častých intervalech při používání.

TRANSPORT A SKLADOVÁNÍ

- Před skladováním a transportem výrobku vyndejte akumulátor a nechejte výrobek vždy vychladnout.
- Odstraňte z výrobku všechn cizí materiál. Ukládejte v chladných, suchých a dobře větráných prostorech, které nejsou přístupné dětem. Před skladováním vždy vyjměte akumulátorový modul ze zařízení pro zvýšení bezpečnosti. Nářadí neuskładňujte v blízkosti žiravých látek, jako například v blízkosti zahrádkářských nebo zahradnických chemických přípravků nebo soli na zimní sypání komunikací. Neskladujte mimo budovu.
- Před skladováním nebo přepravováním výrobku vždy na nůž umístěte chránič nože.
- Při transportu výrobku zajistěte proti pohybům nebo pádu, abyste zabránili poranění osob nebo poškození výrobku.

ÚDRŽBA

VAROVÁNÍ

Používejte pouze originální příslušenství, doplňky a náhradní díly výrobce. Zanedbání může zapříčinit možné poranění, slabý výkon a může dojít ke ztrátě záruky.

VAROVÁNÍ

Údržba vyžaduje extrémní péči a znalosti a měla by být prováděna pouze kvalifikovaným servisním technikem. Pro údržbu nebo servis doporučujeme výrobek vrátit do nejbližšího pověřeného opravárenského střediska. Pokud opravujete, používejte pouze stejné náhradní díly.

VAROVÁNÍ

Nože jsou velmi ostré. Pro zabránění poranění osob buďte velmi opatrní při čištění, mazání a upevňování či demontáži krytu nože.

- Před údržbou nebo čištěním vyjměte akumulátor.
- Můžete provádět v návodu k obsluze uvedené opravy a seřízení. Další opravy se smí provádět pouze u pověřených servisních prodejců.
- Po každém použití očistěte těleso a rukojeti výrobku měkkým a suchým hadříkem.
- Po každém použití očistěte nečistoty z nožů tvrdým štětcem a poté opatrně naneste antikoroziní přípravek před upevněním krytu nože. Používejte doporučený sprej proti rzi a mazivo. Při rovnoměrné aplikaci maziva zabraňte kontaktu s čepeří. Informace o vhodném spreji získáte u místního pověřeného servisního střediska.
- Před každým použitím lze nože lehce namazat, je-li to

nutné, aplikujte metodu uvedenou výše.

- Zkontrolujte všechny šrouby, matice v častých intervalech na řádné utažení, aby se zajistilo, že výrobek bude pracovat v bezpečných pracovních podmínkách. Jakýkoliv poškozený díl je nutné správně opravit nebo nechat vyměnit v autorizovaném servisním středisku.

ZBYTKOVÁ RIZIKA

Dokonce, i když se zařízení provozuje jak je předepsáno, je stále nemožné zcela eliminovat veškeré zbytkové rizikové faktory. Následující nebezpečí mohou nastat při používání; vyhýbejte se:

- Nože nesmí být v obalu během jejich práce. Kontakt s noži může způsobit vážný úraz. Nůž udržujte od sebe a osob i zvířat. Nasazujte kryt nože vždy, když s ním nepracujete.
- Poranění způsobené vibracemi. Pro danou práci vždy používejte správný nástroj, navržené rukojeti a dodržujte pracovní dobu a expozici.
- Vystavování hluku může způsobit poškození sluchu. Noste ochranu sluchu a omezte vystavení.

SNÍŽENÍ RIZIKA

Bylo zjištěno, že vibrace z ručních pracovních nástrojů mohou u některých osob přispívat ke stavu tzv. Raynaud's Syndrome (Raynaudovu syndromu). Mezi jeho příznaky patří brnění, necitlivost a zblednutí prstů, patrné obvykle po pobytu v chladu. Vědci se domnívají, že k rozvoji těchto příznaků přispívají dědičné faktory, pobyt v chladu a vlhku, strava, kouření a pracovní návyky. Uživatel může omezit případné působení vibrací použitím vhodných opatření:

- Za chladného počasí se teple oblečte. Při práci s nástrojem si navlékněte rukavice, abyste udrželi ruce a zápěstí v teple. Bylo zjištěno, že chladné počasí je hlavním faktorem přispívajícím k Raynaud's Syndrome (Raynaudovu syndromu).
- Během práce si v pravidelných intervalech zacvičte, abyste zvýšili krevní oběh.
- Zařažujte časté pracovní přestávky. Omezte dobu práce za den.

Jakmile pocítíte některý z výše uvedených příznaků tohoto syndromu, okamžitě přerušte práci a vyhledejte lékaře.

VAROVÁNÍ

Poranění mohou být způsobena, či zhoršena, prodlouženým používáním nástroje. Když používáte jakýkoliv nástroj delší dobu, dělejte pravidelné přestávky.

POZNEJTE SVŮJ NÁSTROJ

Viz strana 125.

1. Nůž
2. Tlačítko natáčení
3. Prodlužující násada
4. Hřídelová spojka
5. Závěs popruhu
6. Přední rukojeť
7. Pojistka proti nechtěnému spuštění nářadí

8. Spoušť On/Off (Zap./Vyp.)
9. HedgeSweep™ sběrače odřezků
10. Pouzdro
11. Popruhy
12. Baterie
13. Tlačítko západky akumulátoru
14. Nabíječka

SYMBOLY NA VÝROBKU



Bezpečnostní výstraha



Řádně si návod přečtete, porozumíte veškerým pokynům a dodržíte všechny bezpečnostní pokyny a bezpečnostní varování.



Používejte ochranu zraku, hlavy a sluchu.



Noste neklouzavou bezpečnostní obuv, když používáte tento výrobek.



Navlékněte si pevné neklouzavé rukavice.



Nevystavujte dešti nebo nepoužívejte ve vlhkých podmínkách.



Táhněte: Rychlouvolňovací pásek



Naostřete řezací nože. Pro zabránění poranění se nedotýkejte řezacích nožů.



Rizika související s elektrickou energií. Udržujte alespoň 10 m od venkovních rozvodů elektřiny.



Dávejte pozor na odmrštěné nebo odletující předměty. Všechny přihlížející, zvláště děti a zvířata udržujte ve vzdálenosti alespoň 15 m od pracovní oblasti.



Odpad elektrických výrobků se nesmí likvidovat v domovním odpadu. Recyklujte prosím na sběrných místech. Ptejte se u místních úřadů nebo prodejce na postup při recyklaci.



Toto nářadí je v souladu se všemi normami a předpisy platnými v zemi EU, ve které bylo zakoupeno.



Euroasijská značka shody



Ukrajinská značka shody

- EN
- FR
- DE
- ES
- IT
- NL
- PT
- DA
- SV
- FI
- NO
- RU
- PL
- CS
- HU
- RO
- LV
- LT
- ET
- HR
- SL
- SK
- BG
- UK



Zaručená hladina akustického výkonu je 95 dB.

IKONY V NÁVODU



Díly nebo příslušenství jsou v prodeji samostatně



POZNÁMKA



Varování!

Následující signální slova a významy jsou vhodné pro vysvětlení úrovní nebezpečí spojených s tímto výrobkem.

NEBEZPEČÍ

Označuje bezprostředně rizikovou situaci, které je třeba předejít, jinak bude jejím následkem smrt nebo vážné zranění.

VAROVÁNÍ

Označuje možnou rizikovou situaci, které je třeba předejít, jinak jejím následkem může být smrt nebo vážné zranění.

VAROVÁNÍ

Označuje možnou rizikovou situaci, které je třeba předejít, jinak jejím následkem může být smrt nebo vážné zranění.

VAROVÁNÍ

Bez symbolu bezpečnostní výstrahy

Určuje situaci, která může mít za následek vážné poškození.



A(z) akkumulátoros teleszkópos sövényvágó tervezésekor a biztonság, a teljesítmény és a megbízhatóság voltak a legfontosabb szempontok.

RENDELTESSZERŰ HASZNÁLAT

A termék csak a szabadban való használatra alkalmas, egy olyan kezelő által, aki szilárd talajon áll. Biztonsági okokból a terméket mindig kétkezes műveletekkel kell irányítani.

Ez a termék csak otthoni vagy háztartási használatra készült. A termék sövény, cserje és más hasonló növényzet vágására és nyírására szolgál. A termék maximum 2.93 méteresre hosszabbítható meg.

Ne lépje túl ezt megmunkálási hosszát.

Száraz, jól megvilágított környezetben kell használni.

NEM használható fű, fák vagy ágak vágására. Sövényvágáson kívül más célra nem használható.

ÁLTALÁNOS BIZTONSÁGI FIGYELMEZTETÉSEK

▲ FIGYELMEZTETÉS

Olvassa el az összes biztonsági figyelmeztetést és útmutatást. A figyelmeztetések és utasítások be nem tartása elektromos áramütést, tüzet és/vagy súlyos sérülést eredményezhet.

Őrizze meg ezeket a figyelmeztetéseket és utasításokat a későbbi tájékozódásra is.

A figyelmeztetésekből a „szerszámgép” kifejezés az elektromos hálózatról (kábelrel) működtetett vagy akkumulátorról (kábel nélkül) működtetett gépet jelenti.

MUNKATERÜLET

- **A munkaterületet tartsa tisztán és jól megvilágítva.** A rendetlen vagy sötét munkaterületek balesetekhez vezethetnek.
- **Az elektromos szerszámgépeket ne működtesse robbanásveszélyes környezetben, mint például robbanásveszélyes folyadékok, gázok vagy porok jelenlétében.** Az elektromos gépekben szikrák keletkeznek, amik begyűjthetik a port vagy a gőzöket.
- **Az elektromos szerszámgép használatakor a gyerekeket és a kívülállókat tartsa távol.** A figyelem elterelődése az irányítás elvesztését okozhatja.

ELEKTROMOS BIZTONSÁG

- **A szerszámgép dugaszának illeszkednie kell az aljzathoz. Semmilyen módon ne módosítsa a dugaszt.** A földelt elektromos gépekhez ne használjon adapter dugaszt. A nem módosított és illeszkedő dugasz csökkenti az áramütés kockázatát.
- **Kerülje az érintkezést földelt felületekkel, mint például csövekkel, radiátorokkal és hűtőkkel.** Megnöveli az áramütés kockázatát, ha a teste földeltté válik.
- **Ne tegye ki a terméket esőnek vagy nedves környezet hatásának.** A szerszámgépekbe kerülő víz növeli az áramütés kockázatát.
- **Ne rongálja meg a kábelt. A szerszámgép kábelét**

soha ne használja a szerszám hordozására, húzására vagy kihúzására. A kábelt hőtől, olajtól, éles tárgyaktól vagy mozgó alkatrészekről tartsa távol. A sérült vagy beakadt kábelek növelik az áramütés kockázatát.

- **Szerszámgépnek a szabadban való működtetésekor kültéri használatra is megfelelő hosszabbító kábelt használjon.** Kültéri használatra megfelelő hosszabbító kábel csökkenti az áramütés kockázatát.
- **Ha a szerszámgép használata nedves környezetben elkerülhetetlen, használjon áram-védőkacsolót (RCD).** Az RCD használata csökkenti az áramütés kockázatát.

SZEMÉLYI BIZTONSÁG

- **Elektromos szerszámgép működtetésekor legyen mindig éber, figyeljen arra, amit csinál, és használja a józan esztét.** Ne használja a szerszámgépet, ha fáradt vagy alkohol, gyógyszer illetve más tudatmódosító szerek hatása alatt áll. A gép használata közben már egyetlen figyelmen kívül hagyott pillanat is súlyos személyi sérüléshez vezethet.
- **Használjon személyi védelmi eszközöket. Mindig viseljen védőszemüveget.** A védelmi felszerelések, mint például a pormaszk, a csúszásmentes biztonsági lábbelik, a védősisak vagy a fülvédő megfelelő használata csökkenti a személyi sérüléseket.
- **Kerülje el a véletlen bekapcsolást. A szerszám szállítása vagy felemelése, az áramellátás és/vagy akkumulátor csatlakoztatása előtt ellenőrizze, hogy a kapcsoló kikapcsolt állásban van.** Szerszámgépek szállítása a kapcsolón tartott ujjal vagy bekapcsolt szerszámgépek áram alá helyezése balesetekhez vezet.
- **A szerszámgépről bekapcsolás előtt távolítson el minden beállító kulcsot és csavarkulcsot.** Egy a szerszámgép forgó alkatrészén maradt beállító kulcs vagy csavarkulcs személyi sérülést eredményezhet.
- **Ne hajoljon ki túlságosan. Mindig tartson megfelelő testtartást és egyensúlyt.** Ez a szerszámgép jobb irányítását teszi lehetővé váratlan szituációkban.
- **Viseljen megfelelő ruházatot. Ne vegyen fel laza ruhát vagy ékszereket. A haját, a ruháit és a kesztyűjét tartsa távol a forgó alkatrészekről.** A laza ruházat, ékszerek vagy a hosszú haj beakadhatnak a mozgó alkatrészekbe.
- **Ha a gép el van látva porkivezető vagy -gyűjtő berendezésekhez való csatlakozási lehetőséggel, akkor ügyeljen rá, hogy ezeket csatlakoztassák és megfelelően használják.** A porfogó használata csökkentheti a porral kapcsolatos veszélyeket.

A SZERSZÁMGÉP HASZNÁLATA ÉS KARBANTARTÁSA

- **Ne erőltesse a terméket. A feladathoz a megfelelő szerszámgépet használja.** A megfelelő szerszámgép jobb teljesítménnyel és sokkal biztonságosabban fog dolgozni olyan körülmények között, amilyenekre azt tervezték.
- **Ne használja a szerszámgépet, ha a kapcsoló nem kapcsol be és ki.** Bármilyen szerszámgép veszélyes, amit a kapcsolóval nem lehet irányítani, ezért azt meg





kell javítani.

- Bármilyen beállítás, tartozékcseré elvégzése vagy a szerszám gép tárolása előtt húzza ki a szerszám gépet a hálózatról és/vagy vegye ki az akkumulátort a szerszám gépből. Az ilyen megelőző biztonsági óvintézkedések csökkentik a szerszám gép véletlen bekapcsolódásának kockázatát.
- A használaton kívüli gépet gyerekek számára nem elérhető helyen tárolja, és ne hagyja, hogy a szerszám gépet vagy a kézikönyvet nem ismerő személyek használják a szerszám gépet. Gyakorlatlan felhasználók kezében a szerszám gépek veszélyesek.
- Tartsa megfelelő állapotban a szerszám gépeket. Ellenőrizze a mozgó alkatrészek akadását vagy helytelen beállítását, az alkatrészek törését és minden más körülményt, ami hatással lehet a szerszám gép működésére. Ha sérült, a szerszám gépet használat előtt meg kell javítani. Sok balesetet a rosszul karbantartott szerszám gépek okoznak.
- A vágószerszámok legyenek élesek és tiszták. A megfelelően karbantartott, éles vágóélű vágószerszámok kevésbé akadnak be és könnyebben irányíthatók.
- A szerszám gépet, a tartozékokat és a biteket stb. ezen utasításban leírtaknak megfelelően használja, figyelembe véve a munkakörülményeket és az elvégzendő feladatot. A szerszám gép rendeltetésétől eltérő műveletekre való használata veszélyes helyzeteket eredményezhet.

AKKUMULÁTOROS SZERSZÁMGÉP HASZNÁLATA ÉS KARBANTARTÁSA

- Csak a gyártó által megadott töltővel töltsen az akkumulátorokat. Egy adott akkumulátortípusúhoz való töltő egy másik típusú akkumulátorral való használata tűzveszélyes lehet.
- A szerszámokat csak a hozzájuk való akkumulátorokkal üzemeltesse. Más akkumulátorok használata tűzveszélyes lehet, és sérüléseket okozhat.
- Az akkumulátort használaton kívül tartsa távol más fém tárgyaktól, úgymint gemkapcsoktól, érméktől, kulcsoktól, szögektől, csavaroktól vagy más kisméretű fém tárgyaktól, amelyek rövidre zárhatják a két érintkezőt. Az akkumulátor érintkezőinek rövidre zárása tüzet vagy égéseket okozhat.
- Nem megfelelő körülmények esetén folyadék távozhat az akkumulátorból, kerülje az azzal való érintkezést. Ha mégis érintkezik vele, öblítse le vízzel. Ha a folyadék szembe kerül, forduljon orvoshoz. Az akkumulátorból kifolyt folyadék irritációt vagy égéseket okozhat.

KARBANTARTÁS

- A szerszám gépet csak szakképzett szervizszakemberrel szervizeltesse, csak azonos cserealkatrészeket használva. Ez biztosítja, hogy a szerszám gép használata továbbra is biztonságos legyen.

RÚDRA SZERELT SÖVÉNYVÁGÓ BIZTONSÁGI FIGYELMEZTETÉSEK

- Minden testrészét tartsa távol a vágókéstől. A termékek használata közben már egyetlen figyelmen kívül hagyás is súlyos személyi sérüléshez vezethet.
- A teleszkópos sövényvágót a fogantyúnál fogva, leállított vágókéssel szállítsa. A teleszkópos sövényvágó szállításakor vagy tárolásakor mindig rakja fel a vágóeszköz burkolatát. A teleszkópos sövényvágó helyes kezelése lecsökkenti a vágókések okozta személyi sérülések bekövetkeztének lehetőségét.
- A szerszám gépeket mindig a szigetelő fogófelületeiknél fogja, mert a vágóeszköz rejtett vezetékbe vághat. Az „élő” vezetékkel érintkező vágóeszköz következtében a szerszám fém alkatrészei áram alá kerülhetnek, minek következtében a kezelőt áramütés érheti.

TOVÁBBI BIZTONSÁGI FIGYELMEZTETÉSEK

- A használat előtt tisztítsa meg a munkaterületet. Távolítsa el az összes tárgyat, például a kábeleket, lámpákat, drótokat vagy zsinórokat, amelyek kirepülhetnek vagy beakadhatnak a vágókésbe.
- Figyeljen a kivetett tárgyra; a nézelődők, különösen a gyerekek és a háziállatok, legyenek legalább 15 m-es távolságra a használati területtől.
- Személyek vagy állatok tekintetében folyamatosan ellenőrizze a vágandó sövény mögötti és melletti részt.
- Ne használja a gépet gyenge megvilágítás esetén. A kezelőnek tiszta rálátással kell rendelkeznie a munkaterületre, hogy azonosíthassa a potenciális veszélyeket.
- Minden használat előtt vizsgálja át a gépet. Keressen meglazult kötőelemeket, ügyeljen rá, hogy minden a védőburkolat és fogantyú megfelelően fel legyen szerelve és rögzítve. Használat előtt cserélje ki az összes sérült alkatrészt.
- Semmilyen módon ne módosítsa a gépet.
- Ne engedje, hogy gyerekek vagy megfelelő gyakorlattal nem rendelkező személyek használják a terméket.
- Viseljen teljes szem- és fülvédőt a termék használata közben. Kötelező a fejtűdő viselete, ha olyan területen dolgozik, ahol tárgyak hullhatnak le.
- Viseljen vastag anyagból készült hosszú nadrágot, csizmát és kesztyűt. Ne vegyen fel laza ruhát, rövid nadrágot, semmilyen ékszert, illetve ne legyen mezítárba.
- Ha hosszú a haja, azt a vállvonal felett rögzítse, nehogy beakadjon valamilyen mozgó alkatrészbe.
- Ne használja a gépet, ha fáradt, beteg vagy alkohol, gyógyszerek illetve más tudatmódosítók hatása alatt áll.
- Stabílan álljon és vegyen fel megfelelő egyensúlyt. Ne hajoljon ki túlságosan. A túlzott kinyúlás egyensúlyvesztést és súlyos sérülést eredményezhet.
- A gép bekapcsolása előtt győződjön meg róla, hogy a vágókések semmivel nem fognak érintkezni.





- A gép beindítása előtt ellenőrizze, hogy a gép megfelelően, az előírt működési pozícióba van beállítva.
- A teleszkópos sövényvágót használat közben mindig a két fogantyúnál fogja mindkét kezével, és vigyázzon arra, hogy biztonságos és stabil legyen a testhelyzete a használat közben. A gyártó nem javasolja fellépők vagy létrák használatát.
- Használja a hevedert, ha a teleszkópos sövényvágóhoz van mellékelve. Segítségére van a termék súlyának megtartásában a használat és a vágási helyek közötti mozgás során. Pontosán állítsa be a hevedert, hogy kényelmes legyen.
- Keresse meg a gyorskioldó mechanizmust, és gyakorolja be a használatát, mielőtt elkezdené használni a gépet. A helyes használat megakadályozhatja a súlyos sérüléseket vészhelyzetben. Ne viseljen további ruházatot a hevederen felül, és ne korlátozza más módon a gyorskioldó mechanizmushoz való hozzáférést.
- Az áramütés elkerülése végett felsővezetékek 10 méteres körzetében ne használja a gépet.
- Kerítések, oszlopok, épületek vagy más nem mozgatható tárgyak közelében soha ne használja a teleszkópos sövényvágót.
- A kések élesek. A készserelvénnyel kezelések viseljen csúszásmentes, nehéz igénybevételre tervezett védőkesztyűt. Az ujjait vagy a kezét ne tegye a kések közé vagy bármilyen más pozícióba, ahol becsípődhetnek vagy levághatja azokat. Ne érjen a késhez és ne szervizelje a gépet addig, amíg az akkumulátort el nem távolította.
- Kapcsolja ki a gépet és vegye ki az akkumulátort, mielőtt:
 - a vágóeszköz működési pozíciójának beállítása
 - tisztítás vagy eltömődés megszüntetése
 - a termék felügyelet nélkül hagyása
 - ellenőrzi, karbantartja vagy dolgozik a terméken.
- Sűrű bokrokon soha ne erőltesse a sövényvágót. Ez a kések beakadását és a lelassulását okozhatja. Ha a kés lelassult, csökkentse a haladási sebességét.
- Ne próbáljon olyan ágakat vagy tüskéket elvágni, amelyek vastagabbak 18 mm-nél, és olyanokat sem, amiket nem lehet „megetetni” a vágókéssel. A vastagabb ágakat egy kézfűrészes vagy ágazófűrészes segítségével vágja le.
- Fülvédő viseleteknek csak korlátozottan hallja a figyelmeztetéseket (riasztást vagy kiáltást). A kezelőnek jobban oda kell figyelnie arra, hogy mi folyik a munkaterületen.
- Ne használja a teleszkópos sövényvágót sérült vagy túlságosan elhasznált késekkel.
- Mindig figyeljen a környezetére és legyen éber a lehetséges veszélyekre, amelyeket esetleg nem hall a gép zaja miatt.

⚠ FIGYELMEZTETÉS

Ha a gép leesett, erős ütést kapott vagy rendellenesen kezd vibrálni, azonnal állítsa le a gépet, és vizsgálja át sérülések tekintetében vagy azonosítsa a vibráció okát Minden sérülést hivatalos szervizközpontban kell megjavíttatni vagy kicseréltetni.

⚠ FIGYELMEZTETÉS

Minden használat előtt és gyakrabban ellenőrizze, hogy a hosszabbító rúd és a szerszámon található összes tengelycsatlakozó erősen rögzítve van.

SZÁLLÍTÁS ÉS TÁROLÁS

- Szállítás és tárolás előtt állítsa le a terméket, vegye ki az akkumulátort és hagyja lehűlni mindkettőt.
- Minden idegen anyagtól tisztítsa meg a terméket. Hűvös, száraz és jól szellőztetett, gyerekektől elzárt helyiségben tárolja. Az extra biztonság érdekében az akkumulátort a terméktől külön tárolja. Ne tárolja olyan oxidálószerrel közelében, mint pl. kerti munkáknál használatos vegyszerek vagy jégmentesítő sók. Ne tárolja a szabadban.
- A gép tárolásakor vagy szállításkor helyezze fel a késvédő burkolatot a késekre.
- Szállításkor rögzítse a terméket elmozdulás és leesés ellen, hogy elkerülje a sérüléseket és a termék sérülését.

KARBANTARTÁS

⚠ FIGYELMEZTETÉS

Csak a gyártó eredeti cserealkatrészeit, tartozékait és szereléseit használja. Ennek figyelmen kívül hagyása gyenge motorteljesítményt, esetleges sérülést és a jótállás elvesztését okozhatja.

⚠ FIGYELMEZTETÉS

szervizelés különös figyelmet és hozzáértést igényel, és csak szakképzett szerelő végezheti el. Javasoljuk, hogy a szervizeléskor a terméket vigye a legközelebbi hivatalos szervizközpontba javítás céljából. Szervizeléskor csak azonos cserealkatrészeket használjon.

⚠ FIGYELMEZTETÉS

A kések élesek. A személyi sérülés megelőzése érdekében legyen különösen óvatos a késvédő tisztításakor, kenésekor, valamint fel- és leszerelésekor.

- Bármilyen karbantartás vagy tisztítás megkezdése előtt vegye ki az akkumulátort.
- A használati útmutatóban leírt beállításokat és javításokat Ön is elvégezheti. Az egyéb javításokhoz vegye fel a kapcsolatot a hivatalos szervizzel.
- Minden egyes használat után egy puha, száraz ruhával





tisztítsa meg a termék házát és fogantyút.

- Egy kemény kefével minden használat után tisztítsa meg a kést a hulladékoktól, majd a késvédő felszerelése előtt kenjen rá rozsdásodásgátlót. Használja a javasolt kiszórható rozsdásodásgátlót és kenőanyagot. Figyeljen oda, hogy ne érjen a késhez, amikor kijuttatja a kenőanyagot, és egyenletesen vigye fel azt. A megfelelő permetezhető termékről kérdezze a helyi hivatalos szervizközpontot.
- A fenti módszert követve használat előtt is felvihet kenőanyagot a késekre.
- Gyakori időközönként ellenőrizze a csavaranyák, csavarok és fejescsavarok megfelelő meghúzását, hogy a termék biztonságos üzemi állapotban legyen. A sérült alkatrészeket egy hivatalos szervizközpontban kell megjavíttatni vagy kicseréltetni.

FENNMARADÓ KOCKÁZAT

Még a gép rendeltetésszerű használata esetén sem lehet teljesen kiküszöbölni minden kockázati tényezőt. A gép használata során a következő veszélyek merülhetnek fel, és a kezelőnek különösen oda kell figyelnie az alábbiak elkerülésére:

- A kések vágás közben nem fedhetők le védőburkolattal. A késekkel való érintkezés súlyos sérülést okozhat. A kést önmagától és másoktól tartsa távol. Ha nem vág a termékkel, takarja le a késvédő burkolattal.
- A vibráció sérüléseket okozhat. Mindig a munkához megfelelő célszerszámot használja, használja a gépre szerelt fogantyúkat, és korlátozza a munkaidőt és a vibrációnak való kitettséget.
- A zajnak való kitettség halláskárosodást okozhat. Viseljen hallásvédőt és korlátozza a zajnak való kitettséget.

KOCKÁZATCSÖKKENTÉS

Arról számoltak be, hogy a kéziszerszámok használata során fellépő vibráció bizonyos személyeknél hozzájárulhat az úgynevezett Raynaud-szindróma (Raynaud's Syndrome) nevű állapot kialakulásához. A tünetei lehetnek: az ujjak zsibbadása, elfehéredése, szúrások érzése, amelyek hidegnek kitéve gyakran felerősödnek. Az örökklődő tényezők, a hidegnek kitettség és verejtékezés, a diéta, a dohányzás és munka közben alkalmazott fogások valószínűleg mind hozzájárulhatnak ezen tünetek megjelenéséhez. A vibráció hatásainak csökkentése érdekében a kezelőnek be kell tartani az alábbi óvintézkedéseket:

- Hideg időben tartsa melegen a testét. A gép használatakor viseljen kesztyűt a kéz és a csukló melegen tartásához. Arról számoltak be, hogy a hideg időjárásnak fontos szerepe van a Raynaud-szindróma kialakulásában.
- Bizonyos időtartamú használat után mindig végezzen gyakorlatokat a vérkeringés javításához.
- Gyakran tartson munkaszünetet. Korlátozza a napi munkaidőt.

Ha ezen állapot bármelyik tünetét tapasztalja, azonnal hagyja abba a munkát, és tájékoztassa az orvosát a

tünetekről.

▲ FIGYELMEZTETÉS

Injuries may be caused, or aggravated, by prolonged use of a tool. Ha a gépet hosszú időn át kell használnia, tartson gyakran szünetet.

ISMERJE MEG A TERMÉKET

Lásd 125. oldat.

1. Kés
2. Döntés gomb
3. Hosszabbító rúd
4. Tengelycsatlakozó
5. Hevederakasztó
6. Elülső fogantyú
7. Ravasz kireteszelő gomb
8. On/Off kioldókapcsoló
9. HedgeSweep™ hulladékseprű
10. Védőtok
11. Heveder
12. Akkumulátor
13. Akkumulátor reteszelő gomb
14. Töltő

SZIMBÓLUMOK A TERMÉKEN



Biztonsági figyelmeztetés



A termék használata előtt olvassa el és értse meg a kezelési útmutatóban leírtakat, és tartsa be az összes figyelmeztető és biztonsági utasítást.



Viseljen szem-, fül- és fejdédőt.



A termék használata közben csúszásmentes biztonsági lábbelit viseljen.



Viseljen nem csúszós, nehéz igénybevételre tervezett kesztyűt.



Ne tegye ki esőnek, és ne használja nedves környezetben.



Húzza meg: Gyorskioldó fül



Éles vágókések. A súlyos sérülések elkerülése végett ne érintse meg a vágókéseket.



Áramütés veszélye. Tartson legalább 10 méter távolságot a felsővezetésektől.





Figyeljen a kivetett vagy repülő tárgyakra. Az nézelődők (különösen a gyerekek és a háziállatok) legyenek legalább 15 m-es távolságra a használati területtől.



A kiselejtezett elektromos termékeket nem szabad a háztartási hulladékkal együtt kidobni. Ezeket újra kell hasznosítani, ha van rá lehetőség. Az újrahasznosítással kapcsolatban érdeklődjön a helyi önkormányzatnál vagy a termék forgalmazójánál.



Ez a szerszám minden, a vásárlás európai uniós országában hatályos szabványnak megfelel.



Eurázsiai megfeleléségi jelzés



Ukrainai megfeleléségi nyilatkozat



Garantált hangteljesítményszint: 95 dB.

IKONOK A KÉZIKÖNYVBEN



Külön értékesített alkatrészek és kiegészítők



MEGJEGYZÉS



Figyelmeztetés!

A következő jelölőszavak és jelentések arra szolgálnak, hogy megmagyarázzák a termékkel kapcsolatos veszélyességi szinteket.

⚠ VESZÉLY

Egy bekövetkező veszélyes helyzetet jelez, ami, ha nem előzik meg, halált vagy komoly sérülést eredményez.

⚠ FIGYELMEZTETÉS

Egy potenciálisan bekövetkező veszélyes helyzetet jelez, amit, ha nem előznek meg, halált vagy komoly sérülést eredményezhet.

⚠ FIGYELEMFELHÍVÁS

Egy potenciálisan veszélyes helyzetet jelez, ami, ha nem előzik meg, kisebb vagy mérsékelt sérülést eredményezhet.

FIGYELEMFELHÍVÁS

Biztonsági figyelmeztető szimbólum nélkül

Egy olyan helyzetet jelez, ami anyagi kárt eredményezhet.



Au fost acordate priorități maxime siguranței, performanței și fiabilității în proiectarea aparatului dvs. de tuns gardul viu fără cablu.

UTILIZARE PREVĂZUTĂ

Produsul este destinat doar pentru folosirea în exterior de către un singur operator ce stă pe un sol solid și stabil. Pentru motive de siguranță, acest produs trebuie să fie controlat adecvat prin folosirea tot timpul a operațiunilor cu ambele mâini.

Acest produs este destinat utilizării domestice. Este destinat pentru tăierea și îngrijirea gardurilor vii, a arbuștilor și a vegetației similare. Produsul este proiectat să fie extins la o lungime maximă de 2.93 metri.

Nu depășiți această lungime de lucru.

Trebuie folosit în zone uscate și bine iluminate.

NU este destinat pentru tăierea ierbii, a copacilor sau a ramurilor. Nu trebuie folosit în nici un alt scop, altul decât tăierea gardurilor vii.

AVERTISMENTE GENERALE PRIVIND SIGURANȚA

AVERTISMENT

Citiți toate avertismentele și instrucțiunile de siguranță. Nerespectarea acestor avertismente și instrucțiuni poate conduce la șocuri electrice, incendii și/sau accidente grave.

Păstrați aceste avertismente și instrucțiuni, pentru a le putea consulta ulterior.

Termenul de "unealtă electrică" folosit în avertismente se referă la uneltele electrice alimentate de la rețea (cu cablu) sau cu acumulator (fără cablu).

MEDIUL DE LUCRU

- **Mențineți curată și bine iluminată zona de lucru.** Zonele dezordonate și întunecate prezintă pericol de accidente.
- **Nu operați cu unealta electrică în atmosfere explozive, precum în prezența lichidelor, gazelor sau a prafului inflamabil(e).** Uneltele electrice creează scântei care pot aprinde praful sau vaporii.
- **Țineți copiii și persoanele din jur la distanță în timpul operării unei unelte electrice.** Distragerea atenției vă poate face să pierdeți controlul.

SIGURANȚĂ ELECTRICĂ

- **Ștecărele uneltelor electrice trebuie să se potrivească cu priza. Nu modificați niciodată ștecărul în nici un fel. Nu folosiți niciodată adaptoare de ștecăr cu uneltele electrice cu împământare.** Ștecărele nemodificate și prizele potrivite reduc riscul de electrocutare.
- **Evitați contactul corpului cu suprafețele conectate la împământare, precum țevi, radiatoare, reșouri, mașini de gătit și frigider.** Există un risc crescut de electrocutare când corpul dumneavoastră are contact cu împământarea.

- **Nu expuneți acest produs la ploaie sau condiții de umiditate.** Apa care intră într-o unealtă electrică va crește riscul de electrocutare.
- **Nu forțați cablul. Nu trageți niciodată unealta electrică de cablul de alimentare pentru a o transporta, a o trage sau a scoate ștecărul din priză. Țineți cablul de alimentare departe de căldură, ulei, muchii ascuțite sau piese în mișcare.** Cablurile deteriorate sau încurcate cresc riscul de electrocutare.
- **Atunci când lucrați cu o unealtă electrică în aer liber, folosiți un prelungitor adecvat pentru utilizarea în aer liber.** Folosirea unui prelungitor adecvat pentru utilizarea în aer liber reduce riscul de electrocutare.
- **În cazul în care operarea unei unelte electrice într-o zonă umedă nu poate fi evitată, folosiți o alimentare protejată cu un dispozitiv de curent rezidual (RCD).** Utilizarea unui RCD reduce riscul de electrocutare.

SIGURANȚĂ PERSONALĂ

- **Fiți vigilenți, fiți atenți la ceea ce faceți, acționați cu simț practic când operați o unealtă electrică. Nu folosiți unealta electrică în timp ce sunteți obosit sau sub influența drogurilor, a alcoolului sau a medicamentelor.** Un moment de neatenție în timpul operării uneltelor electrice poate cauza vătămare personală gravă.
- **Utilizați echipament personal de protecție. Purtați întotdeauna ochelari de protecție.** Echipamentele de protecție, precum masca de praf, încălțăminte de protecție antiderapantă, casca sau protecția auditivă, folosite în condiții adecvate, vor reduce riscul rănilor.
- **Prevenirea pornirii neintenționate. Asigurați-vă că comutatorul este în poziția oprit înainte deconectarea la sursa de alimentare și / sau la acumulator, ridicarea sau transportul uneltei.** Transportarea uneltelor electrice cu degetul pe comutator sau punerea sub tensiune a uneltelor electrice care au comutatorul în poziția pornit predisune la accidente.
- **Îndepărtați orice cheie de reglare înainte de a porni unealta.** O cheie sau rămasă atașată de o piesă rotativă a uneltei electrice poate cauza vătămări corporale.
- **Nu vă aplecați excesiv. În timpul operării dispozitivului, păstrați-vă în permanență echilibrul și stabilitatea.** Acest lucru permite un mai bun control al uneltei electrice în situații neașteptate.
- **Îmbrăcați-vă corespunzător. Nu purtați haine largi sau bijuterii.** Mențineți părul, hainele și mânușile departe de piesele în mișcare. Hainele largi, bijuteriile sau părul lung pot fi prinse de piesele aflate în mișcare.
- **Dacă sunt prevăzute dispozitive pentru conectarea facilităților de extracție părul, hainele și prafului, asigurați-vă că acestea sunt conectate și folosite corect.** Utilizarea colectării prafului poate reduce riscurile legate de praf.

FOLOSIREA ȘI ÎNTREȚINEREA UNELTEI ELECTRICE

- **Nu forțați produsul. Folosiți unealta electrică corectă pentru aplicație.** Unealta electrică corectă va funcționa mai bine și mai sigur la viteza pentru care a fost proiectată.





- **Nu folosiți unealta electrică dacă comutatorul nu o poate porni și opri.** Orice unealtă electrică, care nu poate fi controlată cu comutatorul este periculoasă și trebuie reparată.
- **Deconectați ștecărul de la sursa de alimentare și / sau acumulatorul de la uneltea electrică înainte de a efectua orice reglaje, a schimba accesorii sau de a stoca uneltele electrice.** Astfel de măsuri preventive de siguranță reduc riscul de pornire accidentală a uneltei electrice.
- **Nu lăsați uneltele electrice la îndemâna copiilor și nu permiteți persoanelor nefamiliarizate cu uneltea electrică sau cu aceste instrucțiuni să folosească uneltea.** Uneltele electrice sunt periculoase în mâinile utilizatorilor neinstruiți.
- **Întrețineți uneltele electrice.** Verificați alinierea sau lipirea pieselor în mișcare, spargerea pieselor, precum și orice altă stare care poate afecta funcționarea uneltei electrice. Dacă este deteriorată, solicitați repararea uneltei înainte de utilizare. Multe accidente sunt cauzate de uneltele electrice întreținute necorespunzător.
- **Păstrați uneltele de tăiere ascuțite și curate.** Uneltele de tăiere corect întreținute, cu muchii de tăiere ascuțite au o probabilitate mai redusă de lipire și sunt mai ușor de controlat.
- **Folosiți uneltea electrică, accesoriile și burghiile etc. în conformitate cu aceste instrucțiuni, ținând cont de condițiile de lucru și de lucrarea care urmează să fie efectuată.** Utilizarea uneltei electrice pentru alte operații decât cele preconizate poate duce la situații periculoase.

FOLOSIREA ȘI ÎNTREȚINEREA MAȘINII CU ACUMULATOR

- **Reîncărcați numai cu încărcătorul specificat de producător.** Un încărcător destinat unui anumit tip de acumulator este folosit la încărcarea altor acumulatori există pericolul de incendii.
- **Folosiți uneltele electrice numai cu acumulatorii indicați.** Utilizarea oricărui altii acumulatori poate crea un risc de vătămare și de incendiu.
- **Atunci când acumulatorul nu este în uz, păstrați-l departe de alte obiecte metalice, cum ar fi agrafe de birou, monede, chei, cuie, șuruburi sau alte obiecte metalice mici, care pot face o conexiune de la o bornă la alta.** Scurtcircuitarea bornelor bateriei poate provoca arsuri sau incendii.
- **Ca urmare a folosirii necorespunzătoare, din acumulator se poate scurge lichid; evitați contactul cu acesta. În cazul unui contact accidental, spălați cu apă. În cazul contactului cu ochii, consultați suplimentar un medicul.** Lichidul care iese din acumulator poate provoca iritații sau arsuri.

ÎNȚEȚINERE

- **Solicitați efectuarea lucrărilor de service la uneltea dvs. electrică numai de către o persoană calificată în reparații, folosind numai piese de schimb identice.** Acest lucru va garanta că siguranța uneltei electrice este menținută.

AVERTIZĂRI DE SIGURANȚĂ ASUPRA MAȘINII DE TUNS GARDUL VIU

- **Țineți toate părțile corpului la distanță de lama cuțitului.** Un moment de neatenție în timpul operării produsului poate rezulta în vătămare personală gravă.
- **Cărați aparatul de tuns gardul viu de mâner și cu lama de tăiere oprită. Atunci când transportați sau depozitați aparatul de tuns gardul viu potriviți-i întotdeauna o învelitoare a dispozitivului de tăiere.** Manipularea corespunzătoare a aparatului de tuns gardul viu va reduce vătămarea personală posibilă de la lamele de tăiere.
- **Țineți aparatul electric doar de suprafața de prindere izolatoare, întrucât lama de tăiere poate veni în contact cu fire electrice ascunse.** Lamele de tăiere care intră în contact cu un conductor sub curent pot expune la curent părțile metalice ale uneltei electrice și pot conduce la electrocutarea operatorului.

AVERTIZĂRI SUPLIMENTARE DE SIGURANȚĂ

- **Eliberați zona de lucru înainte de fiecare utilizare.** Îndepărtați toate obiectele precum cabluri, becuri, fire, șnururi ce pot fi aruncate sau încurcate în mijloacele de tăiere.
- **Fiți atent la obiectele aruncate, mențineți toți trecătorii, copiii și animalele de companie la cel puțin 15 metri de zona de lucru.**
- **Verificați constant să nu existe persoane sau animale în spatele sau în gardul viu sau tufului ce doriți să-l tundeți.**
- **Nu utilizați în condiții de iluminare necorespunzătoare.** Operatorul necesită o panoramă clară a zonei de lucru pentru identificarea potențialelor pericole.
- **Inspectați aparatul înainte de fiecare folosire.** Verificați să nu existe cleme slăbite, asigurați-vă că toate apărătorile și mânerele sunt corespunzător și fix prinse. Înlocuiți toate piesele deteriorate înainte de utilizare.
- **Nu modificați aparatul în niciun fel.**
- **Nu permiteți copiilor sau persoanele fără experiență să utilizeze acest produs.**
- **Purtați protecție completă a ochilor și urechilor în timpul operării produsului.** Dacă în zona de lucru există riscul căderii de obiecte, trebuie purtată protecție a capului.
- **Purtați pantaloni lungi groși, cizme și mănuși.** Nu purtați haine largi, pantaloni scurți, bijuterii de niciun fel sau să fiți desculț.
- **Strângeți părul lung mai sus de nivelul umerilor pentru a preveni prinderea în orice piese în mișcare.**
- **Nu utilizați uneltea când sunteți obosit, bolnav sau sub influența alcoolului, a drogurilor sau a medicamentelor.**
- **Mențineți sprijin ferm pe picioare și echilibru.** Nu vă aplecați excesiv. Întinderea excesivă poate rezulta în pierderea echilibrului și poate rezulta în vătămare gravă.
- **Înainte de pornirea aparatului asigurați-vă ca lamele să nu vină în contact cu nimic.**
- **Asigurați-vă că mașina este amplasată corect într-o poziție de lucru indicată, înainte de a porni mașina.**
- **În timpul operării aparatului de tuns gardul viu, țineți-l**

EN
FR
DE
ES
IT
NL
DA
PT
SV
FI
NO
PL
RU
CS
HU
RO
LV
LT
ET
HR
SL
SK
BG
UK





întotdeauna ferm cu ambele mâini de cele două mâneri și asigurați-vă că poziția de operare este sigură și în siguranță. Producătorul nu recomandă folosirea treptelor sau a scârilor.

- Folosiți hamul dacă este furnizat împreună cu aparatul de tuns gard viu. Vă va asista să sprijiniți greutatea produsului în timpul folosirii și în timp ce vă mutați în poziția de tundere a gardului viu. Reglați cu atenție hamul pentru a vă ajuta confortabil.
- Identificați mecanismul de eliberare rapidă și faceți câteva probe înainte de a folosi aparatul. Folosirea corespunzătoare poate preveni vătămarea gravă în cazul unei urgențe. Nu purtați niciodată haine suplimentare peste centură sau în altfel să restricționați accesul la mecanismul de eliberare rapidă.
- Pentru a vă proteja de electrocutare, nu operați produsul în la mai puțin de 10 de firele de tensiune de deasupra.
- Nu folosiți niciodată aparatul de tuns gardul viu lângă garduri, stâlpi, clădiri sau alte obiecte fixe.
- Lamele sunt ascuțite. Atunci când manipulați ansamblul de lame, purtați mănuși rezistente, nealunecoase. Nu puneți degetele sau mâna între lame sau în orice poziție unde pot fi ciupite sau tăiate. Nu atingeți niciodată lama sau unitatea service decât dacă acumulatorul este îndepărtat.
- Deconectați și îndepărtați acumulatorul înainte de:
 - reglarea poziției de lucru a dispozitivului de tăiere
 - curățarea sau eliminarea unui blocaj
 - lăsarea produsului fără supraveghere
 - verificarea, întreținerea sau exploatarea produsului
- Nu forțați motounalta pentru tuns gard viu în tufișuri dese. Acest lucru poate cauza lipirea și încetinirea lamelor. În cazul în care lamele încetinesc, reduceți ritmul.
- Nu încercați să tăiați tulpini sau crengi care au o grosime mai mare de 18 mm, sau cele care sunt prea mari pentru a intra în lama de tăiere. Utilizați un ferăstrău manual sau un ferăstrău pentru curățarea crengilor pentru a tăia tulpinile groase.
- Utilizarea antifoanelor reduce capacitatea de auzi avertismente (alarme sau strigăte). Operatorul trebuie să fie foarte atent la ceea ce se întâmplă în zona de lucru.
- Nu operați aparatul de tuns gardul viu cu lamele deteriorate sau uzate excesiv.
- Întotdeauna fiți conștient de elementele ambientale și fiți atent la posibilele pericole pe care este posibil să nu le auziți din cauza zgomotului produs de mașină.

⚠ AVERTISMENT

Dacă mașina este scăpată, suferă un impact dur sau începe să vibreze anormal, opriți imediat mașina și inspectați-o de deteriorări sau identificați cauza vibrației. Orice deteriorare trebuie reparată corespunzător sau înlocuită la un centru service autorizat.

⚠ AVERTISMENT

Verificați ca toate clapajele axului de pe stâlpul telescopic și aparat sunt prinse fix înainte de fiecare folosire și la intervale frecvente.

TRANSPORTAREA ȘI DEPOZITAREA

- Opriți produsul, scoateți acumulatorul și lăsați-le să se răcească înainte de a le depozita sau transporta.
- Curățați toate materialele străine din produs. Depozitați-l într-un loc răcoros, uscat și bine aerisit ce este inaccesibil copiilor. Pentru o siguranță suplimentară, păstrați bateria separat de produs. Nu-l depozitați în apropiere de agenți corozivi cum ar fi produși chimici de grădinarit sau săruri antigel. Nu depozitați în aer liber.
- Acoperiți lama cu protecția pentru lamă înainte de a depozita unitatea sau în timpul transportului.
- Pentru transportare, fixați produsul împotriva mișcării sau căderii pentru a preveni vătămarea persoanelor sau deteriorarea produsului.

ÎNȚREȚINEREA

⚠ AVERTISMENT

Folositi doar piese de schimb, accesorii si atasamente originale ale producatorului Neurmarea acestora poate cauza posibilă vătămare, slaba funcționare și ar putea anula garanția.

⚠ AVERTISMENT

Service-ul necesită atenție și cunoștințe deosebite și trebuie îndeplinit doar de către un tehnician service calificat. Pentru service sugerăm să returnați produsul la cel mai apropiat centru service autorizat pentru efectuarea reparațiilor. Când se efectuează service-ul folosiți doar piese de schimb identice.

⚠ AVERTISMENT

Lamele sunt ascuțite. Pentru a preveni vătămarea personală, acordați maximă atenție atunci când curățați, lubrifiați, fixați sau îndepărtați protecția lamei/discului.

- Scoateți bateria înainte de a efectua orice lucrare de întreținere sau curățare.
- Puteți face reglaje și reparații descrise în acest manual de instrucțiuni. Pentru alte reparații, contactați agentul service autorizat.
- După fiecare folosire, curățați corpul și mânerul produsului cu o cârpă moale și uscată.
- După fiecare folosire, curățați resturile de pe lame/discuri cu o perie tare și apoi cu atenție aplicați un lubrifianț de prevenire a ruginii înainte a atășa protecția lamei/discului. Folosiți soluția de prevenire a ruginii recomandată și spray de lubrifiere. Fiți atent să nu intrați în contact cu lama/discul atunci când aplicați uniform lubrifianțul. Pentru informații privind spray-



ul corespunzător, întrebați centrul dvs service local autorizat.

- Puteți lubrifia ușor lamele/discurile înainte de folosire, folosind metoda de mai sus.
- Verificați toate piulițele, suruburile la intervale frecvente de timp ca să fie corespunzător strânse pentru a vă asigura că produsul este în stare de lucru în siguranță. Orice piesă deteriorată trebuie să fie reparată în mod corespunzător sau înlocuită de un service autorizat.

RISCURI REZIDUALE

Chiar dacă mașina este folosită conform instrucțiunilor, este totuși imposibil să eliminați complet anumiți factori de risc reziduali. Următoarele pericole pot apărea în timpul folosirii și operatorul trebuie să acorde atenție specială pentru a evita următoarele:

- Lamele nu pot fi apărate în timpul tăierii. Contactul cu lamele poate cauza vătămare gravă. Țineți lama ferită de dvs sau alte persoane. Acoperiți-le cu o husă protectoare oricând nu tăiați.
- Vătămare cauzată de vibrație. Folosiți întotdeauna aparatul potrivit pentru sarcină, folosiți mânerul prevăzute și restricționați timpul de lucru și expunerea.
- Expunerea la zgomot poate cauza vătămarea auzului. Purtați protecție pentru auz și limitați expunerea.

REDUCEREA RISCULUI

S-a raportat faptul că vibrațiile produse de unelte manuale pot contribui, la anumite persoane, la o afecțiune denumită Sindromul Raynaud. Simptomele pot include furnicătură, amorțeală și albirea degetelor, care apare, de obicei, după expunerea la frig. Factori ereditari, expunerea la frig și umiditate, dieta, fumatul și practicile de muncă contribuie la dezvoltarea acestor simptome. Există măsurător care pot fi efectuate de către operator pentru a reduce efectele de vibrațiilor:

- Păstrați-vă temperatura corporală ridicată pe vreme rece. Când operați unitatea purtați mănuși pentru a vă menține mâinile și încheieturile la căldură. S-a constatat că vremea rece este un factor major care contribuie la sindromul Raynaud.
- După fiecare perioadă de operare, trebuie făcute exerciții pentru a crește circulația sângelui.
- Trebuie făcute pauze la intervale de timp regulate. Limitați expunerea zilnică.

Dacă sunt experimentate oricare dintre simptomele acestei afecțiuni, trebuie întreruptă utilizarea și consultat un medic.

⚠ AVERTISMENT

Pot fi cauzate sau agravate vătămarile de la folosirea prelungită a aparatului. Atunci când folosiți o sculă pentru perioade prelungite, asigurați-vă că luați pauze regulate.

CUNOAȘTEȚI-VĂ PRODUSUL

Vezi pagina 125.

1. Lamă

2. Buton rotativ
3. Stâlp prelungitor
4. Cuplaj al coloanei/barei.
5. Agățătoare ham
6. Mâner de apucare frontal
7. Butonul de deblocare a trăgaciului
8. Trăgaciul pornit/oprit
9. Dispozitiv de aspirat reziduuri HedgeSweep™
10. Învelitoare
11. Ham
12. Acumulator
13. Buton zăvor a bateriei
14. Încărcător

SIMBOLURILE DE PE PRODUS.



Avertizare de siguranță



Citiți și înțelegeți toate instrucțiunile înainte de operarea produsului, urmați toate avertizările și instrucțiunile de siguranță.



Purtați protecție pentru ochi, auz și cap.



Purtați întotdeauna încălțăminte de siguranță antiderapantă când utilizați acest produs.



Purtați mănuși care nu alunecă, destinate pentru operațiuni grele.



Nu expuneți la ploaie sau umezeală.



Trage: Gaică de eliberare rapidă



Lame de tăiere ascuțite. Pentru prevenirea vătămării grave nu atingeți lamele de tăiere.



Pericol electric. Păstrați o distanță de cel puțin 10 m față de cablurile suspendate.



Feriți-vă de obiecte proiectate sau în zbor. Țineți toate persoanele, în special copiii și animalele de companie, la cel puțin 15 m distanță de zona de lucru.



Deșeurile produselor electrice nu trebuie să fie eliminate împreună cu deșeurile casnice. Vă rugăm reciclați acolo unde există facilități. Verificați la autoritatea dvs locală sau la vânzător pentru sfaturi privind reciclarea.



Acest aparat este conform cu ansamblul normelor reglementare din țara din UE în care a fost cumpărat.



Marcaj de conformitate EurAsian



Semn de conformitate ucrainean



Nivelul de putere sonoră garantat este de 95 dB.

PICTOGRAME ÎN ACEST MANUAL



Piese sau accesorii vândute separat



OBSERVAȚIE



Avertisment!

rmătoarele cuvinte simbol și înțelesul lor au intenția de a explica nivelele de risc asociate cu acest produs.

PERICOL

Indică o situație periculoasă iminentă, care dacă nu este evitată va cauza decesul sau vătămarea gravă.

AVERTISMENT

Indică o situație periculoasă iminentă, care dacă nu este evitată poate rezulta în deces sau vătămare gravă.

ATENȚIE

Indică o situație potențial periculoasă, care dacă nu este evitată poate cauza vătămarea moderată sau ușoară.

ATENȚIE

Fără a simbolul de alertă privind siguranța

Indică o situație care poate duce la pagube materiale.



Drošība, sniegums un uzticamība ir galvenā prioritāte, izstrādājot bezvadu dzīvžoga trimeri.

PAREDŽĒTAIS LIETOJUMS

Ierīce ir paredzēta izmantošanai ārā un to var lietot viens cilvēks, stāvot uz cietas un līdzenas virsmas. Drošības apsvērumu dēļ ierīcei vienmēr jābūt pienācīgi kontrolētai, izmantojot abas rokas.

Šis ražojums ir paredzēts mājas vai mājsaimniecības lietošanai. Tas ir paredzēts dzīvžogu, krūmu un tam līdzīgas veģetācijas griešanai un apcirpšanai. Ierīce ir izstrādātā ar maksimālo garumu 2.93 m

Nepārsniedziet darba ilgumu.

To ieteicams lietot sausos, lai apgaismotos apstākļos.

Tas NAV paredzēts zāles, koku un zaru griešanai. To nav ieteicams lietot jebkādiem citiem nolūkiem, izņemot dzīvžogu griešanu.

VISPĀRĪGIE DROŠĪBAS BRĪDINĀJUMI

⚠ BRĪDINĀJUMS

Izlasiet visus drošības brīdinājumus un norādījumus. Brīdinājumu un norādījumu neizpildīšana var izraisīt elektrisko triecienu, aizdegšanos un/vai smagu ievainojumu.

Brīdinājumus un instrukcijas saglabājiet turpmākai uzziņai.

Nosaukums "elektroinstruments" brīdinājumos attiecas uz jūsu elektrisko (ar vadu) elektroinstrumentu vai ar akumulatoru darbināmo (bez vada) elektroinstrumentu.

DARBA VIETA

- Turiet darba vietu tīru un labi apgaismotu. Pārblīvētas un tumšas vietas izraisa negadījumus.
- Nedarbiniet elektroinstrumentus sprādzienbīstamā vidē, piemēram, degošu šķidrums, gāzu vai putekļu klātbūtnē. Elektroinstrumenti rada dzirksteles, kas var aizdedzināt putekļus vai gāzes.
- Neļaujiet bērniem un blakusstāvētājiem tuvoties darbā esošiem elektroinstrumentiem. Izklaidības dēļ jūs varat zaudēt kontroli.

ELEKTRODROŠĪBA

- Elektroinstrumenta kontaktdakšai jāatbilst kontaktlīdzdai. Nekad nepārveidojiet kontaktdakšu. Sazemētiem elektroinstrumentiem nelietojiet pārejas līgzdas. Nepārveidotas kontaktdakšas un atbilstošas kontaktlīgzdas samazinās elektriskā trieciena risku.
- Nepieļaujiet ķermeņa kontaktu ar sazemētām virsmām, piemēram, caurulēm, radiatoriem, pavadīem un saldētāvam. Ja jūsu ķermenis ir sazemēts, pastāv palielināts elektriskā trieciena risks.
- Nepakļaujiet šo precī lietum vai slapjiem apstākļiem. Ūdens iekļūšana elektroinstrumentā palielina elektriskā trieciena risku.
- Neizmantojiet kabeli nepareizi. Nekad neizmantojiet

vadu, lai nestu, vilktu elektroinstrumentu vai atvienotu kontaktdakšu. Turiet kabeli tālu no siltuma avota, eļļas, asiem priekšmetiem vai kustīgām detaļām. Bojāts vai savērts kabelis palielina elektriskā trieciena iespēju.

- Strādājot ar elektroinstrumentu ārpus telpām, lietojiet āra lietošanai piemērotu pagarinātāju. Elektriskā trieciena risku samazina lietošanai ārpus telpām piemērota kabeļa izmantošana.
- Ja elektroinstruments ir jālieto mitrās telpās, izmantojiet strāvas noplūdes automātslēdzi (RCD) barošanas vadā. Palielēšanās strāvas ierīces izmantošana samazina elektriskā trieciena risku.

PERSONISKĀ DROŠĪBA

- Uzmanieties darba laikā un izmantojiet veselo saprātu, darbojoties ar elektroinstrumentu. Neizmantojiet elektroierīci, ja esat noguris vai narkotisko vielu, alkohola vai medikamentu ietekmē. Neuzmanības brīdis, strādājot ar elektroinstrumentiem, var izraisīt smagus ievainojumus.
- Lietojiet personīgo aizsargaprīkojumu. Vienmēr lietojiet aizsargbrilles. Aizsargaprīkojums, piemēram, putekļu maska, neslīdoši aizsargapavi, aizsargķivere vai ausu aizsargi, kas lietoti atbilstošos apstākļos, samazina personas ievainojumu iespēju.
- Nepieļaujiet nejašu iedarbināšanu. Pirms pievienot enerģijas avotam un/vai akumulatoram, pacelt un pārvietot darbarīku, pārliecinieties, ka slēdzis ir izslēgtā stāvoklī. Elektroinstrumentu pārnēsāšana, turot pirkstu uz slēdža vai ieslēgtu elektroinstrumentu pārnēsāšana var izraisīt nelaimes gadījumu.
- Noņemiet visas regulēšanas uzgriežņu atslēgas pirms elektroierīces ieslēgšanas. Uzgriežņu atslēga vai atslēga, kas palikusi piestiprināta pie elektroinstrumenta rotējošās detaļas, var izraisīt personas ievainojumu.
- Nepersitempkite. Visu laiku stāviet stingri un stabili. Tas ļauj labāk vadīt elektroinstrumentu negaidītās situācijās.
- Apģērbieties pareizi. Nevalkājiet vaļīgu apģērbu vai rotaslietas. Turiet savus matus, apģērbu un cimdus tālu no kustīgām detaļām. Vaļīgs apģērbs, rotaslietas vai gari mati var tikt ierauti starp kustīgām detaļām.
- Ja ierīce ir aprīkota ar putekļu nosūcēja un savācēja pievienojumu, pārliecinieties, ka tas ir pievienots un tiek pareizi lietots. Putekļu savācēja lietošana var samazināt putekļu izraisītos riskus.

ELEKTROINSTRUMENTU LIETOŠANA UN APRŪPE

- Nepielietojiet spēku, izmantojot ražojumu. Izmantojiet savam darbam atbilstošu elektroierīci. Pareizais elektroinstruments veiks darbu labāk un drošāk ar ātrumu, kādam ticis konstruēts.
- Nelietojiet elektroinstrumentu, ja ar slēdzi to nevar ieslēgt un izslēgt. Ja elektroinstrumentu nevar vadīt ar slēdzi, tas ir bīstams un jāremontē.
- Atvienojiet kontaktdakšu no enerģijas avota un/vai akumulatoru no elektroinstrumenta pirms veikt jebkādas regulējumus, piederumu maiņu vai novietot glabāšanai elektroinstrumentus. Šādi

EN
FR
DE
ES
IT
NL
PT
DA
SV
FI
NO
RU
PL
CS
HU
RO
LV
LT
ET
HR
SL
SK
BG
UK





profilakses pasākumi samazina elektroierīces nejaušas iedarbināšanas iespēju.

- **Glābāji neizmantojam elektroiinstrumentus bērniem nepieejamās vietās un neļaujam neapmācītām personām darboties ar elektroiinstrumentiem.** Elektroiinstrumenti ir bīstami neapmācītu personu rokās.
- **Apkopt elektroiinstrumentus.** Pārbaudiet kustīgo detaļu savienojumu pareizību, detaļu berzi un citus apstākļus, kas var ietekmēt elektroiinstrumenta darbu. Ja elektroiinstrument ir bojāts, pirms lietošanas veiciet tā remontu. Daudzus negadījumus izraisa slikti apkopti elektroiinstrumenti.
- **Turiet griezējkrīmus asus un tīrus.** Pareizi apkopti griezējkrīmi ar asām griezējšķautnēm retāk pielīpi un ir vieglāk vadāmi.
- **Izmantojiet elektroierīci, piederumus, darbinstrumentus u.c. saskaņā ar šiem norādījumiem, ņemiet vērā darba apstākļus un veicamo darbu.** Elektroiinstrumenta izmantošana neparedzētu darbību veikšanai var radīt bīstamu situāciju.

AR AKUMULATORU DARBINĀMU IERĪČU LIETOŠANA UN KOPŠANA

- **Uzlādējiet tikai ar ražotāja noteikto lādētāju.** Lādētājs, kas paredzēts lietošanai ar viena veida akumulatoru, var būt ugunsnedrošs, ja to izmanto ar citu akumulatoru.
- **Lietojiet elektriskos instrumentus tikai ar konkrētajai ierīcei paredzēto akumulatoru.** Jebkura cita akumulatora lietošana var radīt ievainojumu un ugunsgrēka risku.
- **Kad nelietojat akumulatoru, neturiet to citu metāla priekšmetu tuvumā, piemēram: papīra saspaušanas mašīnā, atslēgās, naglas, skrūves vai citi sīki metāla priekšmeti, kas var veidot savienojumu starp spailēm.** Akumulatora spailju īsslēgums var radīt aizdegšanos vai ugunsgrēku.
- **Nepareizas rīcības gadījumā no akumulatora var izkļūt šķidrums; izvairieties no saskares ar to.** Nejaušas saskares gadījumā skalojiet skarto vietu ar ūdeni. Ja šķidrums nokļūst acīs, nepieciešama arī medicīniskā palīdzība. No akumulatora izkļušais šķidrums var izraisīt kairinājumu vai apdegumus.

APKOPE

- **Vai jūsu elektroiinstrumentu apkalpo kvalificēts personāls, izmantojot tikai identiskas rezerves daļas.** Tas nodrošinās elektroiinstrumenta drošības saglabāšanu.

ŽOGA GRIEZĒJS DROŠĪBAS BRĪDINĀJUMI

- **Turiet visas ķermeņa daļas prom no asmens.** Neuzmanīga rīcība, darbojoties ar ierīci var radīt smagu personisku traumu.
- **Pārnēsājot dzīvzogu apgriezējmašīnu, satveriet to pie roktura un apturiet griešanas asmeni.** Transportējot vai noglabājot dzīvzoga apgriezēju, vienmēr uzlieciet griešanas ierīces aizsargu.

Pareiza dzīvzogu apgriezēja lietošana samazinās iespējamo personisko traumu rašanos no griešanas asmeņiem.

- **Turiet elektrisko instrumentu tikai aiz izolētajām satveršanas virsmām, jo griezējasmens var nonākt saskarē ar aplēptiem vadiem.** Ar spriegumam pieslēgtu vadu saskarē nonākuši asmeņi var radīt spriegumu elektroiinstrumenta atklātajās metāla daļās un pakļaut operatoru elektrošokam.

PAPILDU DROŠĪBAS BRĪDINĀJUMI

- Pirms katras izmantošanas atīriet darba zonu. Aiznesiet visas lietas, piemēram, vadus, apgaisījumus, kabelus vai saites, kas var lidot vai sapīties griešanas brīdī.
- Uzmanieties no krītošām lietām; raugieties, lai tuvāk stāvošie - bērni, un dzīvnieki atrodas vismaz 15 m no jūsu darbošanās vietas.
- Bieži pārbaudiet, vai dzīvzoga vai krūmā vai arī aiz tā, kurus jūs vēlaties zāgēt, neatrodas cilvēki vai dzīvnieki.
- Nelietojiet sliktā apgaismojumā. Lietotājam jābūt pilnai redzamībai pār darba zonu, lai spētu identificēt iespējamus draudus.
- Pirms katras lietošanas reizes pārbaudiet ierīci. Pārbaudiet, vai visi stiprinājumi ir vietā, pārliicinieties, ka visi aizsargi un rokturi atbilstoši un droši piestiprināti. Pirms lietošanas nomainiet visas bojātās detaļas.
- Nekādi nepārveidojiet ierīci.
- Neļaujiet bērniem vai personām bez apmācības izmantot šo ražojumu.
- Darbinot precī, valkājiet pilnus acu un ausu aizsargus. Ja strādājat zonā, kur pastāv krītošu priekšmetu risks, jāvalkā galvas aizsargs.
- Velciet izturīgas garās bikses, zābakus un cimdus. Nevelciet platu un vaļīgu apģērbu, īsās bikses, jebkādas rotaslietas un nelietojiet bez apaviem.
- Nostipriniet garus matus virs pleciem, lai nepieļautu to iekļeršanos kustīgās detaļās.
- Nedarbiniet šo ierīci, kad esat noguris, slims vai alkohola, narkotisko vielu vai medikamentu ietekmē.
- Visada tvirtai stovēkite ir īslaikīgie pusiausvyrā. Nepersitempkite. Stiepšanās var radīt līdžsvara zudumu un var novest pie nopietnas traumas.
- Pirms ieslēdzat ierīci, pārliicinieties, vai zāgēšanas asmeņi ne ar ko nesaskarsies.
- Pirms iedarbināt iekārtu, pārliicinieties, vai tā ir pareizi novietota paredzētajā darba pozīcijā.
- Izmantojot dzīvzogu apgriezēju, vienmēr ar abām rokām turiet to stingri aiz abiem rokturiem un pārliicinieties, ka darbošanās poza ir droša un stabila. Ražotājs neiesaka lietot iekārtu uz pakāpieniem vai trepēm.
- Izmantojiet drošības jostas, ja tās nāk komplektā jūsu dzīvzoga apgriezēju. Tas arī palīdzēs noturēt ierīces svaru tās izmantošanas laikā un arī palīdzēs pārvietoties griešanas laikā. Uzmanīgi uzstādiat drošības jostas, lai tās jums būtu ērtas.
- Identificējiet ātrās atbrīvošanas mehānismu un iemācieties to lietot pirms jūs esat sācis lietot šo ierīci. Šī mehānisma pareiza izmantošana var pasargāt jūs no ievainojumiem ārkārtas gadījumos. Nekad nevelciet citu





apģērbu virs turētāja vai jebkādā citā veidā apgrūtiniet piekļuvi ātrās atlaišanas mehānismam.

- Lai aizsargātu sevi no nāvējoša elektrošoka, nestrādājiet tuvāk par 10 m no, virs galvas esošiem elektrības vadiem.
- Nekad neizmantojiet dzīvzogu apgriezēju tuvu nožogojumiem, stāvkokiem, ēkām vai citiem nekustīgiem priekšmetiem.
- Asmeņi ir asi. Uzstādot asmeni, izmantojiet neslīdošus tam paredzētus aizsargcimdus. Neievietojiet roku vai pirkstus starp asmeņiem vai jebkurā citā vietā, kur tos var saspiest vai nogriezt. Nekādā gadījumā nepieskarities asmenim un neveiciet ierīces apkopi, ja vien nav izņemta bateriju pakete.
- Izslēdziet un izņemiet bateriju paketi pirms:
 - griešanas ierīces darba pozīcijas regulēšana
 - nosprostojumu tīrīšana vai aizvākšana
 - izstrādājuma atstāšana bez uzraudzības
 - ierīces pārbaudīšana, apkope vai darbināšana.
- Neizmantojiet dzīvzogu trimmeri biezu krūmāju apgriešanai. Tas var izraisīt asmeņu darbības palēnināšanos un iesprūšanu. Ja asmeņu kustības ātrums samazinās, palēniniet gaitu.
- Nemēģiniet apgriezt stublājus vai zarus, kuru biezums pārsniedz 18 mm, jo tie acīmredzami ir pārāk lieli griezējasmehānismam. Izmantojiet neelektrisko rokas zāģi vai dārznieka zāģīti, lai apgrieztu lielus stublājus.
- Dzirdes aizsargu lietošana mazinās jūsu spēju dzirdēt brīdinājumus (bīstamības vai skaņas signālus). Operatoram jāpievērš sevišķa uzmanība tam, kas notiek darba zonā.
- Neizmantojiet dzīvzoga apgriezēju ar bojātiem vai pārmērīgi nodilušiem asmeņiem.
- Vienmēr apzinieties savu apkārtni un pievērsiet vērību iespējamiem apdraudējumiem, kurus varat nesadzirdēt iekārtas trokšņa dēļ.

▲ BRĪDINĀJUMS

Ja ierīce ir nomesta, cietusi smagu triecienu vai sāk neparasti vibrēt, nekavējoties apturiet ierīces darbību un pārbaudiet bojājumus vai atrodiet vibrācijas cēloni. Jebkāda tehniska apkope ir jāveic tikai autorizētos tehniskās apkopes centros.

▲ BRĪDINĀJUMS

Pirms katras lietošanas reizes, pārbaudiet, vai visi savienojumi uz paplašināmajiem instrumentiem un darbarīkiem ir droši piestiprināti; pārbaudes veiciet regulāri.

TRANSPORTĒŠANA UN UZGLABĀŠANA

- Apturiet ierīci, izņemiet bateriju un ļaujiet abiem atdzist pirms uzglabāšanas vai transportēšanas.
- Notīriet visus svešķermeņus no izstrādājuma. Uzglabājiet to vēsā, sausā un labi vēdinātā vietā, kurai nevar piekļūt bērni. Papildu drošībai, uzglabājiet

akumulatoru atsevišķi no produkta. Neglabājiet to vietā, kur tuvumā atrodas korozīvas vielas, piemēram dārza darbos izmantojamas ķīmikālijas vai atsaldešanasai domāta sāls. Neuzglabājiet ārpus telpām.

- Nosedziet asmeni ar asmens aizsargu pirms ierīces glabāšanas vai tās transportēšanas laikā.
- Transportējot nostipriniet ierīci, lai tā nekustētos un neapgāztos, jo tas var izraisīt miesas bojājumus un ierīces bojājumus.

APKOPE

▲ BRĪDINĀJUMS

Lietojiet tikai oriģinālās ražotāja rezerves daļas, piederumus un uzgaļus. Pretējā gadījumā var tikt radīti ievainojumi un parādīts slikts sniegums, kā arī var tikt anulēta garantija.

▲ BRĪDINĀJUMS

Aptarnavimā atlikti būtina itin atdīzāi, todēl rekomenduojamē, kad tehniņē apziūrā vykdytū kvalifikuotas specialistas. Tehninei apziūrai atlikti patariame gražinti prietaisā j artimiausij ţgaliojot ā paslaugu teikimo tarnyb ā. Sugedusias detales keiskite tik originaliomis detalēmis.

▲ BRĪDINĀJUMS

Asmeņi ir asi. Lai novērstu ievainojumus, ievērojiet īpašu piesardzību tīrot, ieeļļojot, un pieliekot vai noņemot asmeņu aizsargu.

- Izņemiet akumulatoru pirms veikt kādus apkopes vai tīrīšanas darbus.
- Daudzus šajā lietotāja rokasgrāmatā aprakstītos regulēšanas un remontdarbus varat veikt pats. Lai veiktu citus remontdarbus, sazinieties ar pilnvarotū servisa darbinieku.
- Pēc katras lietošanas reizes, notīriet ierīci un tās rokturus ar mīkstu, sausu audumu.
- Pēc katras lietošanas reizes, notīriet iežus no asmeņiem ar stingru otiņu, un uzmanīgi uzklājiet pretrūsu aizsargājošu eļļu, pirms pieliekat asmeņu aizsargus. Izmantojiet ieteikto rūsas profilaksi un smēreļļas smidzinātāju. Uzmanieties, lai izvairītos no saskares ar asmeni, kad vienmērīgi izlīdzināt smēreļļu. Konsultējieties ar vietējo autorizēto pārstāvi, lai iegūtu informāciju par piemērotiem līdzekļiem.
- Pirms lietošanas ieteicams nedaudz ieeļļot asmeņus, ja nepieciešams, izmantojot iepriekšminēto metodi.
- Regulāri pārbaudiet visus uzgriežņus, stiprinājumus un skrūves, lai pārliecinātos, ka tās ir cieši pievilktas un izstrādājums ir drošā darba stāvoklī. Jebkura bojāta detaļa jānodod remontam vai nomaīņai pilnvarotā apkopes centrā.



OBJEKTĪVIE RISKI

Pat tad, ja ierīce tiek lietota atbilstoši norādījumiem, joprojām nav iespējams pilnībā novērst atsevišķus riska faktorus. Lietošanas laikā var rasties šādas bīstamas situācijas, un lietotājam ir jāpievērš pastiprināta uzmanība, lai tās novērstu:

- Zāģēšanas laikā, asmeņi nevar tikt nosegti ar aizsargiem. Saskare ar asmeņiem var radīt nopietnas traumas. Turiet asmeni prom no jums un no citiem. Ja ierīce netiek lietota, vienmēr nosedziet to ar asmeņu aizsargu.
- Vibrācijas radīts ievainojums. Vienmēr izmantojiet pareizos rīkus tiem paredzētajam darba, izmantojiet norādītos rokturus un ierobežojiet laiku, cik ilgi izmantojat ierīci.
- Saskarsme ar troksni var radīt dzirdes traucējumus. Valkājiet ausu aizsargu un ierobežojiet saskarsmi.

RISKA SAMAZINĀŠANA

Ir ticis ziņots, ka vibrācijas no rokas instrumentiem atsevišķos cilvēkos var veicināt kaiti, ko sauc par Reino sindromu. Simptomi var ietvert pirkstu tīkšķēšanu, nejutīgumu un nobālēšanu, parasti aukstā laikā. Tiek uzskatīts, ka tradicionālie faktori, aukstums un mitrums, uzturs, smēķēšana un darba prakse sekmē šo simptomu attīstību. Operators var veikt pasākumus, lai iespējami samazinātu vibrācijas efektu:

- Aukstā laikā ķermenim jābūt siltam. Darbinot ierīci, nēsājiet cimdus, lai rokas un plaukostas locītavas būtu siltas. Ir pētījumi, ka auksts laiks ir galvenais faktors, kas veicina Reino sindromu.
- Ik pēc laika apturiet darbu un veiciet vingrinājumus, kas uzlabo asins cirkulāciju.
- Strādājot jābūt biežiem pārtraukumiem. Ierobežojiet iedarbības ilgumu dienā.

Ja jūs izjūtat kādu no šiem simptomiem, nekavējoties apturiet ierīces lietošanu un sazinieties ar ārstu par šiem simptomiem.

⚠ BRĪDINĀJUMS

Ilgstoša preces lietošana var radīt ievainojumus vai pasliktināt jau esošos. Ilgstoši lietojot jebkuru instrumentu, pārliecinieties, ka tiek veikti regulāri pārtraukumi.

PAZĪSTIET SAVU IERĪCI

Skatīt 125. lappusi

1. Asmens
2. Griešanās poga
3. Pagarinājums
4. Savienojumi
5. Drošības jostu āķis
6. Priekšējais rokas rokturis
7. Slēdža atbloķēšanas poga
8. Pogu ieslēgt/izslēgt
9. HedgeSweep™ gruzu slaucītājs
10. Maksts

11. Drošības jostas
12. Akumulators
13. Akumulatora stiprinājuma poga
14. Lādētājs

UZ PRECES ESOŠIE SIMBOLI



Drošības brīdinājums



Pirms preces darbināšanas izlasiet un izprotiet visus norādījumus, ievērojiet visus brīdinājumus un drošības norādījumus.



Izmantojiet acu, ausu un galvas aizsargu.



Kad izmantojat šo izstrādājumu, lietojiet neslīdošus aizsargapavus.



Valkājiet neslīdošus darba cimdus.



Nepakļaujiet lietum vai mitriem apstākļiem.



Vilk: Ātrās atlaišanas cilpa



Asi zāģēšanas asmeņi. Lai novērstu smagu traumu iegūšanu, nepieskarieties zāģa asmeņiem.



Elektriskā bīstamība. Turieties vismaz 10 m attālumā no gaisvadu elektroinījām.



Sargieties no izmestiem vai lidojošiem priekšmetiem. Neļaujiet nepiederošām personām, it īpaši bērniem un mājdzīvniekiem, tuvojties darba zonai tuvāk par 15 m.



Izlietotie elektroprodukti nedrīkst tikt izmesti kopā ar mājsaimniecības atkritumiem. Lūdzu, nododiet tos attiecīgajās atk ār totas izmantošanas vietās. Sazinieties ar savu vietējo varas pārstāvi vai izplatītāju, lai noskaidrotu, kur iespējama atkārtota pārstrāde.



Darbarīks atbilst visām normām ES valstī, kurā tas ir iegādāts.

EurAsian atbilstības marķējums



Ukrainas apstiprinājuma zīme



Garantētais skaņas jaudas līmenis ir 95 dB.

IKONAS ŠAJĀ ROKASGRĀMATĀ



Atsevišķi nopērkamās daļas vai piederumi



PIEZĪME



Brīdinājums!

Lai izskaidrotu risku, kas saistīti ar izstrādājumu, līmeni, paredzēti šādi norādījuma vārdi un jēdzieni.

BĪSTAMI

Norāda draudošo bīstamo situāciju, kas, ja no tās neizvairās, var novest pie nāves vai nopietnas traumas.

BRĪDINĀJUMS

Norāda potenciālo bīstamo situāciju, kas, ja no tās neizvairās, var novest pie nāves vai nopietnas traumas.

UZMANĪBU

Norāda potenciālo bīstamo situāciju, kas, ja no tās neizvairās, var novest pie nelielas vai vidējas traumas.

UZMANĪBU

Bez drošības brīdinājuma apzīmējuma

Norāda uz situāciju, kas var radīt īpašuma bojājumus.

EN

FR

DE

ES

IT

NL

PT

DA

SV

FI

NO

RU

PL

CS

HU

RO

LV

LT

ET

HR

SL

SK

BG

UK



Projektuojant belaides gyvatvorių žirkles, didžiausias prioritetas suteiktas saugai, eksploatacinėms savybėms ir patikimumui.

NAUDOJIMO PASKIRTIS

Krūmapjovė skirta naudoti tik lauke, vienam asmeniui, stovinčiam ant tvirto grunto pagrindo. Saugos sumetimais, gaminytis turi būti tinkamai valdomas visada dirbant abiem rankomis.

Šis gaminytis yra skirtas naudojimui namuose ar namų aplinkoje. Įrankis skirtas pjauti ir apkarpyti gyvatvores, krūmokšnius ir panašius augalus. Krūmapjovę galima pašildyti ne daugiau, kaip 2,93 m.

Neviršykite šio darbinio ilgio.

Jį reikia naudoti sausose ir gerai apšviestose vietose.

Jis NESKIRTAS pjauti žolę, medžius ar šakas. Šio įrankio nenaudokite jokiam kitam darbui, tik gyvatvorių apkarpymui.

BENDRIEJI SAUGOS ĮSPĖJIMAI

ĮSPĖJIMAS

Perskaitykite visus saugos įspėjimus ir visą instrukciją. Įspėjimų ir instrukcijų nesilaikymas gali sukelti elektros smūgį, gaisrą ir (ar) rimtus sužeidimus.

Saugokite šiuos įspėjimus ir nurodymus, kad galėtumėte vadovautis jais vėliau.

Įspėjimuose nurodytas terminas „elektrinis įrankis“ reiškia elektrinio įrankio naudojimą, jį prijungus prie maitinimo tinklo (laidu) arba maitinimo baterijos (belaidis).

DARBO APLINKA

- Darbo vieta turi būti švari ir gerai apšviesta. Nelaimingi atsitikimai įvyksta netvarkingose ar tamsiose vietose.
- Nenaudokite elektrinių įrankių, jei šalia yra degios ir sprogti galinčios medžiagos (skysčiai, dujos ar dulksės). Elektriniai įrankiai kibirkščiuoja ir gali uždegti dulkes arba garus.
- Neleiskite vaikams ir šalia esantiems asmenims būti šalia įjungto elektrinio įrankio. Išsiblaškę galite prarasti kontrolę.

ELEKTROS SAUGA

- Elektrinio įrankio kištukai turi atitikti kištukinį lizdą. Niekada nekeiskite kištuko. Su įžemintais (įžeminimo) elektriniais įrankiais niekada nenaudokite kištukų adapterių. Nepakeisti kištukai ir atitinkantys lizdai sumažina elektros smūgio pavojų.
- Stenkitės nesiliesti prie įžemintų ar įžeminimo paviršių (vamzdžių, radiatorių, grandinių / viryklių, šaldytuvų). Įžeminius savo kūną, padidės elektros smūgio pavojus.
- Įrenginio negalima laikyti lietuje ar drėgmėje. Dėl vandens, patekusio į elektrinį įrankį, padidėja elektros smūgio pavojus.
- Laidą naudokite pagal jo paskirtį. Niekada jo nenaudokite elektriniams įrankiams pernešti,

tempti ar išjungti. Saugokite maitinimo laidą nuo karščio, tepalų, aštrių kampų ir judančių detalių. Pažeisti ar supainioti laidai padidina elektros smūgio galimybę.

- Dirbdami su elektriniu įrankiu lauke, naudokite tik lauke naudoti skirtus ilginamuosius laidus. Naudojant tinkamą laukui laidą sumažinama elektros smūgio tikimybė.
- Jei būtina naudotis elektriniu įrankiu drėgnomis oro sąlygomis, naudokite likutinės srovės prietaisą (RCD). Naudojant RCD sumažinama elektros smūgio tikimybė.

ASMENINĖ SAUGA

- Būkite budrūs ir stebėkite, ką darote, bei sąmoningai naudokite elektrinį įrankį. Nesinaudokite įrankiu, kai esate pavargę ar paveikti narkotinių medžiagų, alkoholio ar vaistų. Neatidumas darbo su elektriniu įrankiu metu gali sukelti sunkius sužeidimus.
- Naudokite asmeninės apsaugos įrangą. Visada dėvėkite akių apsaugos priemones. Atitinkamomis sąlygomis naudojamos apsaugos priemonės, pvz. dulkių kaukė, neslystantys apsauginiai batai, šalmas ar apsaugos ausims, sumažina asmeninių sužeidimų pavojų.
- Saugokitės, kad įrankis netyčia neįsijungtų. Įsitikinkite, kad prieš prijungiant įrankį prie maitinimo šaltinio ir (ar) baterijos, pakeliant ar nešant įrankį, jungiklis yra išjungtas. Nešant elektrinį įrankį, uždėjus pirštą ant jungiklio, arba elektrinį įrankį, kurio jungiklis yra įjungtoje padėtyje, gali įvykti nelaimingas atsitikimas.
- Prieš įjungiant elektrinį įrankį, išimkite derinimo raktą ar veržliaraktį. Jei juos paliksite pridėtus prie besisukančios įrankio dalies, galite susižaloti.
- Nepersitempkite. Visada tvirtai stovėkite ir išlaikykite pusiausvyrą. Tai padės geriau kontroliuoti įrankį netikėtų situacijų metu.
- Dėvėkite tik darbui tinkamus drabužius. Nedėvėkite laisvų, neprigliudusių drabužių ir juvelyrinių dirbinių. Saugokite plaukus, drabužius ir pirštines toliau nuo judančių dalių. Laisvi drabužiai, papuošalai ar ilgi plaukai gali įsispainioti į judančią įrankio dalis.
- Jei įrengti dulkių ištraukimo ir surinkimo įrenginiai, įsitikinkite, kad jie prijungti ir naudojami tinkamai. Su dulkelėmis susijusiam pavojui sumažinti naudokite dulkių surinkimą.





- **Laikykite elektrinį įrankį vaikams neprieinamoje vietoje ir neleiskite juo naudotis asmenims, kurie nemoka juo naudotis.** Neįgudusiems asmenims elektriniai įrankiai yra pavojingi.
- **Pržiūrėkite elektrinius įrankius. Patikrinkite judančių detalių nesutapimus, sukibimą, ar sumontuotos detalės nesulūžusios bei kitą būklę, kuri gali turėti neigiamos įtakos įrankio veikimui. Jei įrankis sugedęs, prieš naudojimą jį reikia suremontuoti.** Nemažai nelaimingų atsitikimų įvyksta dėl netinkamai prižiūrimų elektrinių įrankių.
- **Pjovimo įrankius reikia pastoviai galėsti ir valyti.** Tinkamai prižiūrėti aštriais ašmenimis pjovimo įrankiai mažiau stringa ir juos lengviau valdyti.
- **Naudokite elektrinius įrankius, atsargines detales, gražtus ir t. t., pagal šias instrukcijas ir atsižvelgdami į darbo sąlygas bei turimą atlikti darbą.** Naudokite elektrinį įrankį tik pagal tiesioginę paskirtį, kitaip sukelsite pavojingą situaciją.

ĮRANKIO SU AKUMULIATORIUMI NAUDOJIMAS IR PRIEžiŪRA

- **Pakartotinai kraukite prietaisą tik naudodami gamintojo nurodytą kroviklį.** Vieno tipo akumuliatoriui tinkantis įkroviklis gali kelti gaisro pavojų kitokiam akumuliatoriui.
- **Elektrinius įrankius naudokite tik su jiems skirtais baterijų paketais.** Naudojant kitokius akumuliatorius, galima susižeisti ar sukelti gaisrą.
- **Kai akumuliatorius nenaudojamas, jį laikykite toliau nuo kitų metalinių daiktų, pavyzdžiui, sąvaržėlių, monetų, raktų, vinių, varžtų ar kitų mažų metalinių daiktų, kurie vieną gnybtą gali sujungti su kitu.** Sutrumpinus vieną akumuliatoriaus gnybtą su kitu, galima nusideginti arba sukelti gaisrą.
- **Netinkamomis sąlygomis iš akumuliatoriaus gali ištekėti skystis - nelieskite jo. Jei atsitiktinai prisilietėte - nuplaukite vandeniu.** Jei skysčio pateko į akis, papildomai kreipkitės į gydytoją. Iš akumuliatoriaus ištekėjęs skystis gali nudeginti ar sukelti sudirginimus.

TECHNINIS APTARNAVIMAS

- **Elektrinį įrankį turi remontuoti tik kvalifikuoti darbuotojai, kurie naudoja identiškas atsargines dalis.** Tai užtikrina elektrinio įrankio saugumą.

GYVATVORIŲ KRŪMAPJOVĖ SAUGOS PERSPĖJIMAI

- **Laikytės toliau nuo pjoviklio ašmenų.** Naudojant krūmapjovę, dėl menkiausio neatidumo, galima sunkiai susižeisti.
- **Neškite „strypinę“ krūmapjovę už rankenos, kai pjovimo įtaiso geležtė sustabdyta. Gabendami ar padėdami „strypinę“ krūmapjovę į sandėlį, būtina uždėkite pjovimo įtaiso apdangalą.** Tinkamai naudojant „strypinę“ krūmapjovę, sumažėja susižeidimo pjovimo įtaiso geležtėmis pavojus.
- **Elektrinį įrankį reikia laikyti tik už izoliuoto rankenų paviršiaus, nes žirklių ašmenys gali susiliesti su**

paslėptais laidais. Pjovimo geležtės, prisilietę prie laido, prijungto prie maitinimo šaltinio, gali aktyvuoti metalines elektrinio įrankio detales ir sukelti operatoriui elektros smūgį.

PAPILDOMI SAUGOS ĮSPĖJIMAI

- **Prieš pradėdami darbą sutvarkykite darbo vietą.** Pašalinkite visus objektus, kaip laidai, apšvietimai, vielos ar virvės, kurie gali atsitrenkti į pjovimo įtaisus ar juose įsispainioti.
- **Saugokitės ištiškusių objektų:** visi pašaliniai asmenys, vaikai ir naminiai gyvūnai turi būti ne mažiau, kaip 15 m atstumu nuo darbo srities.
- **Nuolatos tikrinkite, ar už gyvatvorės ar krūmų, kuriuos ketinate apkirpti, nėra žmonių ar gyvūnų.**
- **Dirbkite gerai apšviestoje aplinkoje.** Kad pastebėtų galimus pavojus, prietaisu dirbančiam asmeniui turi būti sudarytos gero matomumo sąlygos.
- **Prieš kiekvieną naudojimą apžiūrėkite krūmapjovę.** Patikrinkite, ar nėra atsipalaidavusių tvirtinamųjų elementų ir ar rankenos tinkamai ir saugiai pritvirtintos. Prieš naudodami prietaisą pakeiskite visas pažeistas dalis.
- **Jokiu būdu nemodifikuokite krūmapjovės.**
- **Nelieskite vaikams ar neapmokytiems asmenims naudotis šiuo prietaisu.**
- **Naudodami šį įrenginį, dėvėkite pilną akių ir klausos apsaugą.** Dirbant zonoje, kurioje gali kristi objektai, būtina dėvėti galvos apsaugos priemones.
- **Dėvėkite sunkias ilgas kelnes, batus ir pirštines.** Nedėvėkite dukšlių drabužių, trumpų kelnų, papuošalų ir atviros avalynės.
- **Ilgus plaukus suriškite aukščiau pečių, priešingu atveju, jie gali įsispainioti į judančias įrankio dalis.**
- **Nesinaudokite šiuo įrankiu, kai esate pavargę, sergate, ar esate pavartoję alkoholio, narkotikų ar vaistų.**
- **Visada tvirtai stovėkite ir išlaikykite pusiausvyrą.** Nepersitempkite. Per plačiai užsimojus, galima netekti pusiausvyros ir sunkiai susižeisti.
- **Prieš paleisdami krūmapjovę, patikrinkite, ar pjovimo geležtės į nieką neatsitrenks.**
- **Prieš užvesdami prietaisą patikrinkite, ar jis teisingai pastatytas nurodytoje darbinėje padėtyje.**
- **Naudodami „strypinę“ krūmapjovę, laikykite ją tvirtai suėmę abiem rankomis už abiejų rankenų ir atsisotokite saugiai bei tvirtai. Gamintojas nepataria pasilypėti ant laiptelių ar kopėčių.**
- **Jeigu prie „strypinės“ krūmapjovės pridėti saugos diržai, būtina naudokitės jais. Ji padeda atremti krūmapjovės svorį genint ir perkeliant į kitą genėjimo padėtį. Rūpestingai sureguliuokite saugos diržus, kad jie būtų patogūs.**
- **Nustatykite greito atleidimo mechanizmą ir pasipraktikuokite, kaip juo naudotis prieš pradėdami genėti. Teisingai naudojant šį įtaisą, galima apsisaugoti nuo sužeidimų įvykus avarijai. Jokiu būdu nemūvėkite palaidų drabužių virš papildomos atramos ar kitaip nekludykite spartaus atpalaidavimo mechanizmo.**
- **Kad nežūtumėte nuo elektros srovės, negenėkite šakų,**

EN
FR
DE
ES
IT
NL
PT
DA
SV
FI
NO
RU
PL
CS
HU
RO
LV
LT
HR
ET
SL
SK
BG
UK





Kūros yra arčiau, kaip 10 m atstumu nuo orinių elektros linijų.

- Jokiū būdu nenaudokite „strypinės“ krūmapjovės arti aptvėrimų, stulpų, statinių ar kitų nejudamų objektų.
- Geležties aštrios. Lieskite geležtes tik dėvėdami neslidžias, tvirtas apsaugines pirštines. Nedėkite plaštakos ar pirštų tarp geležčių ar ten, kur jie gali būti sugnybti ar įpjauti. Ašmenis ar žirkles galima liesti tik kai baterijų paketas yra išimtas.
- Baterijų paketą reikia išjungti ir išimti prieš atliekant šiuos veiksmus:
 - pjovimo prietaiso darbo padėties nustatymas
 - valant ar šalinant užsikimšimą
 - gaminio palikimas be priežiūros
 - krūmapjovės patikra, priežiūra ar naudojimas.
- Nepjaukite per jėgą tankių krūmų. Dėl to geležtė gali užsikirsti ir pradėti lėčiaus dirbti. Geležtėms sulėtėjus sumažinkite darbo tempą.
- Nepjaukite stiebų ar šakų, storesnių nei 18 mm, ar kitų, akivaizdžiai per didelėlių, kad tilptų tarp geležčių. Norėdami nupjauti storesnius stiebus ir šakas, naudokite rankinį arba genėjimo pjūklą.
- Klausos apsaugos priemonių naudojimas sumažina įspėjamųjų garsų (ryksmų arba pavojaus signalų) girdėjimo galimybę. Operatorius turi atkreipti ypatingą dėmesį, kas vyksta darbo vietoje.
- Nenaudokite „strypinės“ krūmapjovės, jeigu geležties pakenktos ar labai sudilusios.
- Visada stebėkite aplinką ir būkite pasiruošę visiems galimiems pavojams, kurių galite neišgirsti dėl prietaiso burzgimo.

⚠ ĮSPĖJIMAS

Prietaisą nometus, stipriai sutrenkus ar jam pradėjus neįprastai vibruoti, jį reikia kuo skubiau sustabdyti ir apžiūrėti, kas pakenkta arba nustatyti vibracijos priežastį. Pakenktos dalys turi būti tinkamai sutaisytos arba pakeistos įgaliotame techninio aptarnavimo centre.

⚠ ĮSPĖJIMAS

Prieš kiekvieną naudojimą ir dažniau patikrinkite, ar visos veleno movos ant pailginimo stropo ir įrankio saugiai pritvirtintos.

GABENIMAS IR LAIKYMAS

- Prieš gaminį padedant į sandėlį ar gabenant, jį reikia sustabdyti, išimti bateriją ir palaukti, kol įtaisai atvės.
- Nuo įrankio nuvalykite visas pašalines medžiagas. Laikykite vėsioje, sausoje, gerai vėdinamoje ir vaikams nepasiekiamoje vietoje. Kad būtų dar saugiau, laikykite bateriją atskirai nuo įrenginio. Nelaikykite jo arti nuo tokių koroziją sukeliančių reagentų kaip cheminės sodininkystės medžiagos arba druskos, naudojamos prieš apledėjimą. Nelaikykite lauke.
- Prieš padėdami įrankį saugoti ar jį pervežant, geležtę visada uždenkite apsauginiu gaubtu.

- Paruošiant gabenimui, gaminį reikia pritvirtinti, kad nejudėtų ir nenukristų, nes priešingu atveju jis gali sužaloti žmones arba sugesti pats.

PRIEŽIŪRA

⚠ ĮSPĖJIMAS

Keitimui naudokite tik originalias gamintojo atsargines dalis. Neoriginalios dalys gali būti sužeidimų ir įrenginio blogo veikimo priežastis, ir dėl to gali būti anuluotas garantinis pažymėjimas.

⚠ ĮSPĖJIMAS

Aptarnavimą atlikti būtina itin atidžiai, todėl rekomenduojame, kad techninę apžiūrą vykdytų kvalifikuotas specialistas. Techninei apžiūrai atlikti patariame gražinti prietaisą į artimiausią įgaliotą paslaugų teikimo tarnybą. Sugedusias detales keiskite tik originaliomis detalėmis.

⚠ ĮSPĖJIMAS

Geležties aštrios. Kad nesusižeistumėte, būkite ypatingai atsargūs valydami bei tepdami įtaisą ir uždėdami arba nuimdami geležčių apsauginį įrenginį.

- Prieš pradėdami priežiūros ar valymo darbus, reikia išimti bateriją.
- Prietaisą galite reguliuoti ir remontuoti, kaip aprašyta šiame naudotojo vadove. Dėl kitų remonto darbų kreipkitės į įgaliotą techninio aptarnavimo centrą.
- Po kiekvieno panaudojimo nuvalykite įtaiso korpusą ir rankenas minkšta sausa servetėle.
- Po kiekvieno panaudojimo nuvalykite sąnašas nuo geležčių standžių šepetėlių, po to rūpestingai ištepkite nuo rūdijimo apsaugančiu tepalu ir tik tada uždėkite geležčių apsauginį įrenginį. Naudokite rekomenduojamą nuo rūdžių apsaugantčią priemonę bei purškiamą tepalą. Tepant stengdamiesi, kad tepalas ant asmenų pasiskirstytų tolygiai, saugokitės, kad prie jų neprisiliestumėte. Informacijos apie tinkamą purškiamą tepalą kreipkitės į vietinį įgaliotą techninio aptarnavimo centrą.
- Jei reikia, galite minėtuoju būdu truputį patepti geležtes prieš naudodami įtaisą.
- Dažnai tikrinkite visas varžles, varžtus ir sraigtus, ar jie tvirtai laikosi ir ar gaminys yra saugios darbo būklės stovyje. Bet kurią apgadintą detalę leidžiama remontuoti arba keisti tik autorizuotame aptarnavimo centre.

ŠALUTINIAI PAVOJAI

Netgi prietaisą naudojant pagal jo paskirtį visų šalutinių rizikos veiksnių visiškai pašalinti neįmanoma. Gali kilti toliau nurodyti pavojai, todėl operatorius turi būti itin dėmesingas, kad išvengtų šių dalykų:

- Geležčių negalima apsaugoti genint. Prisilietus prie geležčių, galima rimtai susižeisti. Laikykite geležtę atokiai nuo savęs ir kitų asmenų. Kai negenite,



uždenkite krūmapjovę geležčių apsauginiu įtaisu.

- Vibracijos sukeltas sužalojimas. Kiekvieną darbą atlikite jam skirtu įrankiu, naudokite atitinkamas rankenas ir ribokite darbo bei buvimo sveikatai žalingoje aplinkoje laiką.
- Ilgai būnant triukšme, galima pakenkti klausą. Dėvėkite akių apsaugą ir ribokite poveikio trukmę.

RIZIKOS MAŽINIMAS

Turime pranešimų, kad vibracija nuo ranka laikomų įrankių kai kuriems asmenims gali turėti neigiamos įtakos vystantis Raynaud sindromui. Šios ligos požymiai yra pirštų dilgčiojimas, nutirpimas ir pabulimas, paprastai pasireiškiantis nuo šalčio. Šie simptomai vystosi dėl paveldimų veiksnių, nesisaugant nuo šalčio ir drėgmės, dėl mitybės, rūkymo ir darbo praktikos. Operatorius gali imtis šių priemonių, kurios gali sumažinti vibracijos poveikį:

- Apsirenkite kuo šilčiau šaltu oru. Dirbant šiuo prietaisu mėvėkite pirštines, kad plaštakos ir riešai būtų laikomi šilčiau. Turime pranešimų, kad Raynaud sindromas labiausiai vystosi nuo šalto oro sąlygų.
- po darbo kiekvieną kartą pasportuokite, kad pagerėtų kraujo apytaka;
- dažnai darykite darbo pertraukas. Aprobokite darbo laikotarpį per dieną.

Jei jums pasireiškia kokie nors šios būklės simptomai, nedelsdami nutraukite darbą ir kreipkitės į gydytoją.

⚠ ĮSPĖJIMAS

Ilgiau naudojant, įrankis kelia sužeidimų pavojų ir apsunkina darbą. Ilgiau naudojant įrankius, reikia reguliariai daryti pertraukas.

PAŽINKITE SAVO GRANDININĮ PJŪKLĄ

Žr. 125 psl.

1. Geležtė
2. Sukimosi aplink ašį mygtukas
3. Pailginimo strypas
4. Veleno mova
5. Saugos diržų kabykla
6. Priekinis suėmimo įtaisas
7. Jungiklio deblokavimo mygtukas
8. Jj./Išj. spragtuką
9. HedgeSweep™ atliekų šlavyklė
10. Makštis
11. Saugos diržai
12. Baterija
13. Baterijos užšovo mygtukas
14. Įkroviklis

SIMBOLIAI ANT ĮRENGINIO



Pranešimas apie saugumą



Prieš naudodami įrenginį, atidžiai perskaitykite instrukcijas, laikykitės įspėjimų ir saugos nurodymų.



Dėvėkite akių, ausų ir galvos apsaugą.



Naudodamiesi šiuo gaminiu visada avėkite avalynę neslystančiais padais.



Mėvėkite neslystančias, tvirtas apsaugines pirštines.



Nenaudoti lyjant ar esant drėgnoms sąlygoms.



Traukti: Greito atleidimo fiksatorius



Veleno pjovimo geležtės. Kad sunkiai nesusižeistumėte, nelieskite pjovimo geležčių.



Elektrios pavojus. Įrankį nuo viršuje esančių laidų laikykite bent 10 m atstumu.



Saugokitės išmetamų arba skrendančių objektų. Įsitikinkite, kad 15 metrų atstumu nuo darbo zonos nėra pašalinių asmenų (ypač vaikų ir gyvūnų).



Elektrinių produktų atliekos neturi būti metamos kartu su namų ūkio atliekomis. Prašome perdirbkite jas ten, kur yra tokios perdirbimo bazės. Dėl perdirbimo patarimo kreipkitės į savo vietinę savivaldybę ar pardavėją.



Šis prietaisas atitinka visas reglamentuotas normas ES šalies, kur jis buvo nupirktas.



„EurAsian“ atitikties ženklas.



Ukrainos atitikties ženklas



Garantuotas garso galios lygis yra 95 dB.

ŽENKLAI ŠIOJE INSTRUKCIJOJE



Detalės arba priedai yra parduodami atskirai



PASTABA



Įspėjimas!

Šie signaliniai žodžiai yra skirti nurodyti su prietaiso naudojimu susijusio pavojaus lygį.

⚠ PAVOJUS

Reiškia ypač pavojingą padėtį, kurios neišvengus bus patirti sunkūs ar net mirtini sužeidimai.

⚠ ĮSPĖJIMAS

Reiškia potencialiai pavojingą situaciją, kurios neišvengus galimi sunkūs ar net mirtini sužeidimai.

⚠ ATSARGIAI

Reiškia potencialiai pavojingą situaciją, kurios neišvengus galimi lengvi ar vidutinio sunkumo sužeidimai.

ATSARGIAI

Be įspėjamųjų simbolių

Reiškia nuosavybės žalos tikimybę.



Varrega hekitrimmeri konstrueerimisel on peaeesmärgiks olnud toote ohutus, tootlikkus ja töökindlus.

OTSTARBEKOHANE KASUTAMINE

See seade on ette nähtud kasutamiseks ühe operaatori poolt, kes seisab kindlal ja tugeval pinnal. Ohutuse tagamiseks peab saagi kasutamise ajal kogu aeg hoidma kahe käega.

Seade on ette nähtud kasutamiseks kodumajapidamises. See on ette nähtud hekkide, okste ja sarnate taimeosade lõikamiseks ja trimmimiseks. Seadme konstruktsioon võimaldab vart pikendada pikkuseni 2.93 m.

Ärge ületage seadme tööpikkust.

Seda tuleb kasutada kuivas ja heades valgustustingimustes.

See EI OLE ette nähtud rohu, puude või jämedate okste lõikamiseks. Seda ei tohi kasutada muuks otstarbeks kui heki trimmimiseks.

OHUTUSE ÜLDEESKIRJAD

HOIATUS

Lugege kõik ohuhoiatused ja juhised läbi. Hoiatuste ja juhiste eiramisel on oht saada elektrilööki või raskeid kehavigastusi ning/või põhjustada tulekahju.

Hoidke kõik hoiatused ja juhised tulevikus vaatamiseks alles.

Hoiatuses kasutatav termin „elektritööriist“ tähendab mehaanilist tööriista, mis saab toidet elektrivõrgust (juhtmega) või akust (ilma juhtmeta).

TÖÖKOHT

- **Hoidke töökoht puhas ja hästi valgustatud.** Korrastamata ja pimedas kohas töötamisel võivad juhtuda õnnetused.
- **Ärge kasutage elektritööriistu plahvatusohtlikes keskkondades, näiteks kergestisüttivate vedelike ja gaaside läheduses ega tolmuses kohas.** Elektritööriistad tekitavad sädemeid, mis võivad tolmust või auru süüdata.
- **Elektritööriistaga töötamisel hoidke lapsed ja kõrvalised isikud eemal.** Tähelepanu hajumise korral võib teil kontroll kaduda.

ELEKTRIOHUTUS

- **Elektritööriistade pistikud peavad pistikupesast sobima.** Ärge püüdke pistiku konstruktsiooni mingil moel muuta. Ärge ühendage maanduskontaktiga (kordusmaandusega) elektritööriistu elektrivõrku läbi vahepistmike. Pistiku ja pistikupesast konstruktsiooni muutmise korral tekib elektrilöögi oht.
- **Hoiduge kehalisest kontaktist maandatud pindadega, näiteks torud, radiaatorid, elektripliidid ja külmikud.** Kehaosade maandamisel suureneb elektrilöögi saamise oht.
- **Ärge jätke seadet vihma kätte või märga kohta.** Vee sattumisel elektrilise tööriista sisemusse suureneb elektrilöögi saamise oht.

- **Ärge kasutage toitejuhet mittesihipäraselt.** Ärge kasutage toitejuhet tööriista kandmiseks, vedamiseks või pistikupesast väljatõmbamiseks. Hoidke toitejuhe eemal kuumusest, õlist, teravatest servadest ja liikuvatest osadest. Vigastatud või keerduvad toitekaablid suurendavad elektrilöögi ohtu.
- **Väljas töötamisel kasutage välistingimustes kasutamiseks sobivaid pikendusjuhtmeid.** Välistingimustele sobiva pikendusjuhtme kasutamine vähendab elektrilöögi ohtu.
- **Kui elektritööriistaga töötamine niisketes oludes on vältimatu, siis kasutage rikkevoolu-kaitSELÜlitiga (RCD) kaitstud vooluvõrku.** RCD kasutamine vähendab elektrilöögi ohtu.

ISIKUKAITSE

- **Mehaanilise tööriistaga töötamisel jälgige tööpiirkonda ja kasutage sealjuures tervet mõistust.** Ärge kasutage tööriista siis, kui te olete väsinud, uimastite, alkoholi või ravimite mõju all. Hetkeline tähelepanu hajumine tööriista kasutamise ajal võib põhjustada raske kehavigastuse.
- **Kasutage isikukaitsevahendeid. Kandke alati silmakaitsevahendeid.** Kui tööolud seda nõuavad, tuleb kasutada isikukaitsevahendeid, näiteks tolmumaski, libisemiskindlaid turvajalatsi, kiivrit ja kuulmiskaitsevahendeid, mis kehavigastuste riski vähendavad.
- **Vältige tahtmatut käivitumist. Enne toitejuhtme või aku ühendamist, tööriista käte võtmist või teisaldamist veenduge, et tööriista lüliti on välja lülitatud.** Õnnetuste vältimiseks ärge hoidke tööriista kandmise ajal sõrme lülitusnupul ega ühendage tööriista toitevõrku siis, kui lüliti on sisse lülitatud.
- **Enne tööriista sisselülitamist eemaldage sellelt reguleerivõti või mutrivõti.** Elektritööriista külge jäetud reguleerivõti või mutrivõti võivad põhjustada raske kehavigastuse.
- **Ärge kummardage. Hoidke end pidevalt jalgadel ja tasakaalus.** Siis on teil ootamatu olukorra tekkimisel tööriista üle parem kontroll.
- **Kandke tööks sobivat riietust.** Ärge kandke lõtvu riideid ja ehteid. Hoidke juuksed, riietusesemed ja töökindad liikuvatest osadest eemal. Lõdvad riietusesemed, ehted ja pikad juuksed võivad haakuda liikuvate osade külge.
- **Kui tööriistal tuleb kasutada tolmust eraldamis- või kogumisseadisi, siis veenduge, et need on ühendatud ja nõuetekohases kasutuses.** Tolmukoguri kasutamisega saab vähendada tolmuga seotud ohtusid.

ELEKTRITÖÖRIISTA KASUTAMINE JA KORRASHOID

- **Ärge kasutage töötamisel liigest jõudu.** Kasutage tööks sobivat elektritööriista. Õigesti valitud elektritööriist töötab ettenähtud võimsuspiirkonnas paremini ja ohutumalt.
- **Ärge kasutage elektritööriista, kui lüliti ei lülita seda sisse ja välja.** Lülitiga lülitamatu tööriista kasutamine on ohtlik ja see tuleb lasta ära remontida.
- **Enne tööriista reguleerimist, tarvikute vahetamist**





või hoiustamist võtke toitejuhe pistikupesast välja ja/või eemaldage aku. Need ennetavad ohutusmeetmed vähendavad tööriista tahtmatu käivitamise riski.

- Hoidke kasutuses mitteolevaid elektritööriistu lastele kättesaamatus kohas ja ärge lubage elektritööriista mitte tundvaid või kasutusjuhendiga mitte tutvunud isikuid elektritööriista kasutada. Oskamatu kasutaja käes olev elektritööriist on ohtlik.
- Mehaaniliste elektritööriistade hooldus. Kontrollige liikuvate osade mittetsentreeritust ja kinnitumist, osade vigastusi ning tehke kindlaks muud seisundid, mis võivad mõjustada elektritööriista tööd. Kui mõni osa on vigastatud, siis laske elektritööriist enne kasutamist ära parandada. Halvasti hooldatud elektritööriistad põhjustavad palju õnnetusi.
- Hoidke lõiketerad teravad ja puhtad. Teravate lõiketeradega ja nõuetekohaselt hooldatud lõikeriistad jäävad harvemini kinni ning neid on kergem kontrolli all hoida.
- Tööriistade, tarvikute, otsakute ja muude lisaseadmete kasutamisel juhenduge nende kasutusjuhenditest, võttes arvesse tehtavat tööd ja tööolusid. Tööoperatsiooniks mitte ettenähtud tööriista kasutamine võib tekitada ohtliku olukorra.

AKUTÖÖRIISTA KASUTAMINE JA KORRASHOID

- Laadige akut ainult tootja poolt ettenähtud laadijaga. Akulaadiaja, mis sobib ühele akupaketile võib põhjustada tulekahju, kui seda kasutada teise akupaketiga.
- Kasutage akutööriista ainult selleks ettenähtud akudega. Muude akupakettide kasutamine võib põhjustada kehavigastusi või tulekahju.
- Sel ajal kui akupakett ei ole kasutusel, hoidke seda eemal metallesemetest nagu kirjaklambrid, mündid, võtmed, naelad, kruvid ja muudest väikestest metallobjectidest, mis võivad akuklemmid lühistada. Aku klemmide lühistamine võib põhjustada põletust või tulekahju.
- Aku vale kasutamise korral võib akuvedelik välja voolata - vältige sellega kokkupuudet. Akuvedeliku nahale sattumisel peske see veega maha. Akuvedeliku silma sattumisel pöörduge arsti poole. Väljapritsv akuveelik võib tekitada nahaärritust või -põletust.

TEENINDAMINE

- Laske oma elektrilist tööriista hooldada väljaõppinud teenindustöötajal; remontimisel tohib kasutada ainult originaalvaruosi. See tagab elektriseadme ohutuse.

VARREGA HEKITRIMMER OHUTUSEESKIRJAD

- Hoidke kõik kehaosad lõiketerast eemal. Hetkeline tähelepanu hajumine seadme kasutamise ajal võib põhjustada raske kehavigastuse.
- Teisaldamise ajaks lülitage hekitrimmer välja ja kandke seda käepidemest. Varrega hekitrimmeri

teisaldamisel või hoiulepanekul paigaldage juhtlatile alati kaitsekate. Varrega hekitrimmeri õige käsitemine vähendab lõiketeradega seotud kehavigastusi.

- Hoidke tööriista kinni ainult isoleeritud haardepindadest, sest lõiketera võib sattuda kokkupuutesse varjatud juhtmega. Kui tööriist satub kontakti pinge all olevate juhtmega, jäävad tööriista isoleerimata metallosad pinge alla ja kasutaja võib saada elektrilöögi.

TÄIENDAVAD OHUTUSJUHISED

- Enne töö alustamist tuleb tööpiirkond alati korrastada. Eemaldage kõik esemed, nagu traadid, valgustid, juhtmehed või nõõrid, mis võivad välja lennata või takerduda lõiketera külge.
- Hoidke kõik kõrvalseisjad, lapsed ja lemmikloomad vähemalt 15 meetri kaugusel.
- Kontrollige lõigatavat hekki pidevalt, et selle taga või selle sees ei ole inimesi või loomi.
- Ärge kasutage seadet halva valgustatuse korral. Töötajal peab tööpiirkonnale olema selge väljavaade, et tuvastada võimalikud ohud.
- Kontrollige seade iga kord enne kasutamist üle. Kontrollige üle lõtvunud kinnitite suhtes ja veenduge, et kõik kaitseid ja käepidemed on õigesti ja ohutult kinnitatud. Enne kasutamist asendage kõik vigastatud koosteosad.
- Ärge seadet mingil viisil ümber ehitage.
- Ärge lubage seadet kasutada lastel ega väljaõppeta isikutel.
- Kandke selle seadme kasutamisel kaitseprille ja kõrvaklappe. Töötamisel kohtades, kus on allakukkivate esemete oht, tuleb kanda kiivrit.
- Kandke tugevasti riidest pikki peske, saapaid ja kindaid. Ärge kandke lõtvu riideid, lühikesi pükse, mistahes ehteid ega töötage paljajalu.
- Kinnitage pikad juuksed õlgadest kõrgemale, et vältida nende takerdumist liikuvate osade vahele.
- Ärge kasutage tööriista väsinuna või haigena ega siis, kui olete uimaste, alkoholi või ravimite mõju all.
- Hoidke kindlat jalgade asendit ja tasakaalu. Ärge kummardage. Liigse ette küünitamise tõttu võite kaotada tasakaalu ja see võib põhjustada raskeid vigastusi.
- Enne seadme käivitamist veenduge, et lõiketerad ei satu millegagi kokkupuutesse.
- Enne seadme käivitamist veenduge, et seade on õiges tööasendis.
- Hoidke varrega hekitrimmeri töötamise ajal mõlema käega kindlalt kinni ja veenduge, et tööasend on ohutu ja kindel. Tootja ei soovita kasutada treppe ja redeleid.
- Kasutage rakmeid kui need on varrega hekitrimmeri komplektis. See aitab teil taluda seadme massi kasutamise ajal ja asendi muutmisel trimmimise vahel. Reguleerige rakmed endale mugavasse asendisse.
- Tehke kindlaks, kuidas kasutada kiirvabastusmehhanismi ja proovige seda enne kasutamise alustamist. Selle õige kasutamine



võimaldab ära hoida hädaolukorras tekkida võiva raske kehavigastuse. Ärge mingil juhul kandke rakmete peal riitusesemeid, muidu piirate juurdepääsu kiirvabastusmehhanismile.

- Elektrilöögi eest kaitsmiseks ärge töötage õhuliinidele lähemal kui 10 m.
- Ärge kasutage vardaga hekitrimmerit mingil juhul piirdeaadade, postide, ehitiste või muude kinnisobjektide läheduses.
- Lõiketerad on teravad. Terade käitlemisel kandke libisemiskindlaid, tugevdatud kaitsekindaid. Ärge pange oma kätt või sõrmi terade vahele või sellisesse asendisse, kus need võivad pitsitusi või sisselõikeid saada. Ärge mingil juhul puudutage lõiketera ja ärge hakake seadet hooldama, ilma et akupakett oleks eemaldatud.
- Lülitage seade välja ja võtke akupakett välja enne järgmisi töid:
 - lõikeorgani tööasendi seadistamine
 - puhastamine ja ummistuse kõrvaldamine
 - toote jätmisel järelevalveta
 - seadme kontrollimine, hooldamine või teenindamine.
- Ärge suruge trimmerit läbi tiheda põõsastiku. See võib põhjustada terade kinnijäämise ja töökiiruse languse. Kui töökiirus langeb, siis alandage käiku.
- Ärge püüdke lõigata võsuid või võrseid, mille läbimõõt on üle 18 mm või mis ilmselt ei mahu lõiketerade vahele. Suurte varte piiramiseks kasutage käsisaagi või mootoriga oksasaagi.
- Kuulmiskaitsevahendid takistavad häälohoiatuste (hüüded ja helisignaalid) kuulmist. Operaator peab seda arvesse võtma ja pöörama täiendavat tähelepanu sellele, mis toimub tema töökohal.
- Ärge kasutage hekitrimmerit, kui see on vigastatud või selle terad on väga kulunud.
- Jälgige töötamise ajal ümbrust ja olge valvas võimalike ohtude suhtes, mille ilmest te ei pruugi mootorimüra tõttu kuulda.

⚠ HOIATUS

Kui seade on maha kukkunud, saanud tugeva löögi või hakkab ebanormaalselt vibreerima, seisake seade viivitamatult ja kontrollige see üle vigastuste suhtes. Kõik vigastused tuleb lasta volitatud hooldustöökojas parandada või asendada.

⚠ HOIATUS

Enne iga kasutamist ja regulaarselt, et kõik pikendatava varda kõik kinnitid ja tööriist on turvaliselt kinnitatud.

TRANSPORTIMINE JA HOIUSTAMINE

- Enne hoiule panekut või teisaldamist seisake mootor, võtke aku välja ja laske jahtuda.
- Puhastage seade kõikidest võõrkehadest. Hoidke kuivas ja hästi ventileeritud kohas, mis on lastele

juurdepääsmatu. Täiendava ohutusabinõuna hoidke akut seadmest eraldi. Hoidke seadet eemal korrodeerivatest ainetest, nagu aiakemikaalid ja jääsulatussoolad. Ärge hoiustage õues.

- Enne seadme hoiulepanekut või transportimise alustamist katke lõiketera selleks ettenähtud kaitsekattega.
- Vedamise ajal tõkestage trimmer liikuma hakkamise ja alla kukkumise vastu, et vältida kehavigastusi ja osade kahjustamist.

HOOLDUS

⚠ HOIATUS

Kasutage ainult tootja originaalvaruosi, tarvikuid ja tööorganeid. Selle nõude eiramine võib põhjustada, kehavigastuse, tootluse languse ja teile antud garantii tühistamise.

⚠ HOIATUS

Hooldamine nõuab ülimalt korrashoidu ja teadmisi ning tuleks teostada ainult kvalifitseeritud hooldustehnikute poolt. Hoolduseks soovime me viia toote remontimiseks lähimasse volitatud teeninduskeskusesse. Kui hooldate, kasutage ainult identseid varuosi.

⚠ HOIATUS

Lõiketerad on teravad. Kehavigastuse vältimiseks olge äärmiselt ettevaatlik kui seadet puhastate, määrите, tarvikut paigaldate või eemaldate terakaitset.

- Enne hoolduse või puhastamise alustamist eemaldage aku.
- Lubatud on teha ainult selles kasutusjuhendis kirjeldatud reguleerimis- ja parandustoiminguid. Muude remonditööde tegemiseks võtke ühendust volitatud hooldajaga.
- Pärast iga kasutuskorda pühkige seadme korpus ja käepidemed pehme kuiva lapiga puhtaks.
- Pärast iga kasutuskorda pühkige praht teradelt ära tugeva harjaga ja kandke seejärel neile roostetõrjemääret, enne kui tera kaitse uuesti kohale panete. Kasutage ainult soovitatud roostetõrje- ja määrdõlipihustit. Kandke lõiketerale peale õhuke kiht määrdõli, olge sel ajal ettevaatlik et te ei puudutaks lõiketera. Teavet sellise aerosoolvahendi kohta saate oma kohaliku hoolduskeskusest
- Võite soovi korral sellel viisil määrada lõiketerasid kergelt enne kasutamist.
- Kontrollige kõiki mutreid, polte ja kruvisid sagedaste intervallidega õige pinguloleku suhtes, et vevenduda toote ohutus töökorras olemises. Vigastatud osad tuleb lasta pädeval hooldajal parandada või asendada.

JÄÄKRISKID

Isegi siis, kui masinat kasutatakse kirjeldatud viisil, ei ole võimalik kõrvaldada kõiki jääkriskide mõjureid. Töötamise ajal võivad tekkida järgmised ohud, millele operaator peab pöörama erilist tähelepanu.

- Lõiketerade eest ei saa töötamise ajal kaitsta. Lõiketera puudutamise võib põhjustada raske kehavigastuse. Hoidke lõiketera oma ja teiste kehast eemal. Kui te ei löika, katke see terakaitsega.
- Vibratsioonist põhjustatud kehavigastus. Kasutage töötamiseks õiget seadet, kasutage ettenähtud käepidemeid, piirake tööaega ja kokkupuudet vibratsiooniga.
- Tugev müra võib põhjustada kuulmiskahjustuse. Kandke kuulmiskaitsevahendeid ja piirake müraga kokkupuudet.

RISKI ALANDAMINE

Teadaolevalt võib käsitööriistade kasutamine põhjustada mõnedel inimestel seisundit, mida nimetatakse Raynaud' sündroomiks. Sümptomidena võib ilmnedä sõrmede tuimus ja valkjaks muutumine, mis tavaliselt ilmneb külmas töötamisel. Nende sümptomite puhul tuleb hoiduda külmast ja niiskusest, dieedist ning suitsetamisest ja kasutada õigeid töövõtteid. Vibratsiooni mõju vähendamiseks tuleb rakendada järgmisi abinõusid.

- Külma ilmaga hoidke oma keha soe. Kandke kindaid, et hoida oma käed ja randmed soojad. Uuringud näitavad, et Raynaud's Syndrome ilmneb põhiliselt külma ilmaga.
- Pärast külmas töötamist tehke harjutusi, et verevarustust kiirendada.
- Tehke regulaarselt töovaheaegasid. Piirake tööperioodi pikkust.

Kui ilmnevad haigustunnused, lõpetage kohe töö ja pöörduge arsti poole.

HOIATUS

Seadme pikaajalisel kasutamisel võite saada kehavigastusi ja varasemad vigastused võivad süveneda. Seadme kasutamisel pika aja jooksul tuleb teha korralisi vaheaegasid.

ÕPPIGE OMA TOODET TUNDMA

Vt leht 125.

1. Saeleht
2. Pöördenupp
3. Pikendusvarras
4. Varre ühendussõlm
5. Rakmete konks
6. Eesmine käepide
7. Päästiku hoob
8. Sklopka za Ukļ./iskļ. (ON/OFF)
9. HedgeSweep™ prahieemaldi
10. Tupp
11. Rakmed
12. Aku
13. Aku riivi nupp

14. Laadija

MASINAL OLEVAD SÜMBOLID



Ohutusalaane teave



Enne seadmega töö alustamist lugege kõik juhised hoolikalt läbi ja pidage kinni hoiatustest ja ohutusega seotud juhistest.



Kandke silma- ja kuulmiskaitsevahendeid ning kiivrit.



Kandke selle toote kasutamisel alati libisemiskindlaid turvajalatsid.



Kandke libisemiskindlaid, tugevdatud kaitsekindaid.



Ärge jätke vihma kätte või kasutage niiskes kohas.



Tõmba: Kiirühenduse fiksaator



Teravad lõiketerad. Ärge puudutage lõiketera, et mitte rasket vigastust saada.



Elektrilõõgi oht. Hoidke seadet elektriliinidest vähemalt 10 m kaugusel.



Hoiduge ülespaisatud ja lendavate esemete eest. Hoidke kõik kõrvalseisjad, eriti lapsed ja lemmikloomad tööalalt vähemalt 15 meetri kaugusele.



Mittekasutatavaid elektritooteid ei tohi visata olmejäätmete hulka. Vaid tuleb viia vastavasse kogumispunkti. Vajadusel küsige sellekohast nõu oma edasimüüjalt või vastavalt kohaliku omavalitsuse institutsioonilt.



Vastab kõigile eeskirjadele EL-i liikmesriigis, kus toode on ostetud.



Euraasia vastavusmärk



Ukraina vastavusmärgis



Garanteeritud helivõimsuse tase on 95 dB.

KASUTUSJUHENDIS KASUTATAVAD IKOONID



Eraldi ostetavad osad või tarvikud



MÄRKUS



Hoiatus!

Järgnevad märguandesõnad ja tähendused on mõeldud selle toote kasutamiseiga seotud riskitasemete kirjeldamiseks.

OHT.

Viitab kohe tekkivale ohtlikule situatsioonile, mis, kui ei väldita, lõpeb surma või tõsise vigastusega.

HOIATUS

Viitab võimalikule ohtlikule situatsioonile, mis, kui ei väldita, võib lõppeda surma või tõsise vigastusega.

ETTEVAATUST

Viitab võimalikule ohtlikule situatsioonile, mis, kui ei väldita, võib lõppeda väiksemate või keskmiste vigastusega.

ETTEVAATUST

Ilma hoiatussümbolita

Osutab olukorrale, mis võib põhjustada varakahju.



Maksimalni prioriteti u sigurnosti, performansama i pouzdanosti dati su u razvoju vašeg bežičnog kresača za ogradu.

NAMJENA

Proizvod je amo za namijenjen za korištenje na otvorenom od strane jednog operatera koji čvrsto stoji na tlu. Zbog sigurnosnih razloga, proizvod mora biti adekvatno upravljan pomoću dvije ruke u svakom trenutku.

Ovaj proizvod namijenjen je za kućnu ili upotrebu u domaćinstvu. Namijenjen je za rezanje i obrzivanje ograda, šikara i slične vegetacije. Proizvod je namijenjen za produženje od maksimalne dulje do 2.93 m.

Ne prekoračujte radnu visinu.

Treba se koristiti samo u suhim, dobro osvijetljenim uvjetima.

NIJE namijenjen za rezanje trave, drveća ili grana. Ne smije se koristiti za nikakvu drugu svrhu osim za obrazivanje ograda.

OPĆA SIGURNOSNA PRAVILA

⚠ UPOZORENJE

Pročitajte sva sigurnosna upozorenja i sve upute. Nepriдрžavanje upozorenja i uputa može izazvati strujni udar, požar i/ili ozbiljne ozljede.

Sačuvajte ova upozorenja i upute kako biste ih naknadno mogli konzultirati.

Pojam „električni alat“ u upozorenjima odnosi se na vaš glavni alat (napajanje preko kabela) ili električni alat koji se napaja preko baterije (bez kabela).

RADNA OKOLINA

- **Držite radni prostor čistim i dobro osvijetljenim.** Zatrpami i neosvijetljeni radni prostori izazivaju nezgode.
- **Nemojte rukovati električnim alatima u eksplozivnim atmosferama u kojima su prisutne zapaljive tekućine, plinovi ili prašina.** Električni alati stvaraju iskre koje mogu zapaliti prašinu ili pare.
- **Tijekom rada s električnim alatom držite podalje djecu i promatrače.** Ometanje može dovesti do toga da izgubite kontrolu.

ELEKTRIČNA SIGURNOST

- **Utičkači električnog alata moraju odgovarati utičnici.** Nikada nemojte modificirati utičače ni na koji način. Nemojte koristiti nikakve adapter utičače s uzemljenim električnim alatima. Originalni utičači i odgovarajuće utičnice smanjuju opasnost od strujnog udara.
- **Izbjegavajte kontakt tijela s uzemljenim površinama poput cijevi, radijatora, štednjaka i hladnjaka.** Ako je vaše tijelo uzemljeno, povećava se opasnost od strujnog udara.
- **Nemojte uređaj izlagati kiši ili vlažnim uvjetima.** Ulazak vode u električni alat povećava opasnost od strujnog udara.

- **Nemojte zlorabiti kabel.** Nikada nemojte koristiti kabel za nošenje, povlačenje ili isključivanje električnog alata. Držite kabel podalje od topline, ulja, oštih rubova ili pokretnih dijelova uređaja. Oštećeni ili zapleteni kabeli povećavaju opasnost od strujnog udara.
- **Kada radite s električnim alatom na otvorenom, koristite produžni kabel prikladan za rad na otvorenom.** Korištenje kabela prikladnog za rad na otvorenom smanjuje opasnost od strujnog udara.
- **Ako se ne može izbjeći rad s električnim alatom u vlažnoj lokaciji koristite FID sklopku (RCD uređaj) za zaštitu napajanja.** Korištenje RCD uređaja smanjuje opasnost od električnog udara.

OSOBNA SIGURNOST

- **Budite na oprezu, gledajte to što radite i pri radu s električnim alatom koristite zdrav razum.** Nemojte koristiti električni alat kad ste umorni ili pod utjecajem droge, alkohola ili lijekova. Trenutak nepažnje pri radu s električnim alatima može dovesti do teških osobnih ozljeda.
- **Koristite osobnu zaštitnu opremu. Uvijek nosite zaštitna sredstva za oči.** Zaštitna oprema poput maske za prašinu, zaštitna obuća sa zaštitom od klizanja, kaciga ili zaštitna za uši koja se koristi u odgovarajućim uvjetima smanjuje osobne ozljede.
- **Spriječite slučajno pokretanje. Osigurajte da je prije priključivanja na izvor napajanja i/ili baterije, podizanja ili nošenja alata, sklopka u položaju OFF (isključeno).** Nošenje električnog alata s vašim prstom na sklopki ili uključivanje električnih alata sa sklopkom postavljenom na položaj on (uključeno) dovodi do nezgoda.
- **Prije uključivanja električnog alata uklonite sve klinove za podešavanje i ključeve.** Ključ ili klin ostavljen priključen na rotirajućem dijelu električnog alata može dovesti do osobne ozljede.
- **Ne sežite preko određene granice. Cijelo vrijeme držite pravilno uporište i ravnotežu.** Ovo u neočekivanim situacijama omogućuje bolju kontrolu nad električnim alatom.
- **Pravilno se odjenite. Nemojte nositi široku odjeću ili nakit. Kosu, odjeću i rukavice držite podalje od pokretnih dijelova.** Široka odjeća, nakit ili dugačka kosa mogu biti zahvaćeni u pokretne dijelove alata.
- **Ako su uređaji opremljeni s priključkom aparata za odvajanje i prikupljanje prašine, osigurajte da su oni priključeni i pravilno korišteni.** Korištenje uređaja za sakupljanje prašine smanjuje opasnosti vezane uz prašinu.

KORIŠTENJE I BRIGA O ELEKTRIČNOM ALATU

- **Nemojte proizvod koristiti iznad njegovih mogućnosti.** Za vašu primjenu koristite točan električni alat. Točan električni alat bolje će i sigurnije uraditi posao u odnosu za što je namijenjen.
- **Nemojte koristiti električni alat ako ga sklopka pravilno ne uključuje i isključuje.** Svaki električni alat koji se ne može kontrolirati pomoću sklopke je opasan i mora se popraviti.





- **Prije nego što izvršite bilo kakva podešavanja, zamijenite dodatni pribor ili pohranite električne alate, odspojite utikač iz izvora napajanja i/ili bateriju iz električnog alata.** Ovakve preventivne sigurnosne mjere smanjuju opasnost od slučajnog pokretanja električnog alata.
- **Električne alate pohranite u stanju mirovanja izvan dohvata djece i ne dopustite rad s električnim alatom osobama koje nisu upoznate s električnim alatom ili ovim uputama.** Električni alati su opasni u rukama nestručnih korisnika.
- **Održavanje električnih alata.** Provjerite radi pogrešnog poravnjanja ili savijanja pokretnih dijelova, puknuća dijelova i drugih uvjeta koji mogu utjecati na rad električnog alata. Ako je oštećen, električni alat prije korištenja popravite. Većina nezgoda uzrokovano je od strane električnih alata koji su slabo održavani.
- **Rezne alate držite oštrim i čistim.** Pravilno održavanim reznim alatima s oštrim rubovima za rezanje, manja je vjerojatnost zahvaćanja i lakše se kontroliraju.
- **Koristite električni alat, pribor i dijelove alata itd., u skladu s ovim uputama i uzevši u obzir radne uvjete i rad koji treba izvršiti.** Korištenje električnog alata za radove drugačije od njegove namjene može dovesti do opasne situacije.

KORIŠTENJE I BRIGA O AKU ALATU

- **Punite samo s punjačem navedenim od proizvođača.** Punjač koji je prikladan za jednu vrstu baterija može dovesti do opasnosti od požara kada se koristi s drugom baterijom.
- **Koristite AKU alate samo s posebno naznačenim baterijama.** Korištenje bilo kojih drugih baterija dovodi do opasnosti od ozljeda i požara.
- **Kada se baterija ne koristi držite je dalje od drugih metalnih predmeta kao što su spajalice za papir, kovanice, ključevi, čavli, vijci ili drugi mali metalni predmeti koji mogu spojiti jedan pol na drugi.** Kratki spoj polova baterije može izazvati opekotine ili požar.
- **Pod uvjetima loma može doći do izbacivanja tekućine iz baterije, izbjegavajte kontakt. Ako dođe do nehotičnog kontakta, isperite to mjesto s vodom.** Ako tekućina dospije u oči, dodatno potražite liječničku pomoć. Tekućina koja istječe iz baterije može dovesti do iritacije ili opekotina.

ODRŽAVANJE

- **Neka vaš električni alat servisira kvalificirana osoba za popravak koristeći samo identične zamjenske dijelove.** Ovo će osigurati da se održi sigurnost električnog alata.

SIGURNOSNA UPOZORENJA KRESAČ ZA OGRADU

- **Držite sve dijelove tijela dalje od noža rezača.** Trenutak nepažnje pri radu s proizvodom može dovesti do teških osobnih ozljeda.
- **Nosite kosač za ogradu za ručku sa zaustavljenim nožem rezača.** Kada transportirate ili skladištite

kresač za ogradu uvijek postavite pokrov reznog uređaja. Pravilno rukovanje kresačem za ogradu smanjuje mogućnost ozljeda od noževa rezača.

- **Držite električni alat za izoliranu površinu za hvatanje jer rezač može doći u kontakt sa skrivenim ožičenjem.** Dodirivanje „žive“ žice noževima rezača može izložiti metalne dijelove alata električnoj energiji i može dovesti do strujnog udara na operatera.

DODATNA SIGURNOSNA UPOZORENJA

- **Prije svakog korištenja očistite radno područje.** Uklonite sve predmete poput kabela, žarulja, žica ili konopa koji mogu biti odbačeni ili se mogu zaglaviti u nožu rezača.
- **Pazite se odbačenih predmeta, držite sve promatrače, djecu i kućne ljubimce dalje od radnog područja.**
- **Provjeravajte za osobe i životlje izvan svake živice ili grma koji namjeravate obrezivati.**
- **Nemojte raditi u slabom osvjetljenju.** Operateru treba jasan pogled radnog područja kako bi identificirao potencijalne opasnosti.
- **Prije korištenja provjerite uređaj.** Provjerite sve olabavljene zatezače, osigurajte da su svi štitnici, deflektori i ručke pravilno i čvrsto priključeni. Prije korištenja zamijenite sve oštećene dijelove.
- **Nemojte modificirati uređaj ni na koji način.**
- **Nemojte dopustiti djeci ili nestručnim osobama da koriste ovaj proizvod.**
- **Kada radite s ovim proizvodom nosite zaštitu za oči i sluh.** Ako radite u području gdje postoji opasnost od padajućih predmeta, morate nositi zaštitu za glavu.
- **Nosite hlače s dugim nogavicama, cizme i rukavice.** Nemojte nositi široku odjeću, kratke hlače, nakit bilo kakve vrste ili hodati bosonogi.
- **Osigurajte dugu kosu na način da je iznad razine ramena kako biste spriječili zahvaćanje u bilo koje pokretne dijelove.**
- **Nemojte raditi s uređajem kada ste umorni, bolesni ili pod utjecajem alkohola, droge ili lijekova.**
- **Zauzmite čvrst stav i ravnotežu.** Ne sežite preko određene granice. Naginjanje preko ruba može dovesti do gubitka ravnoteže i uzrokovati ozbiljne ozljede.
- **Prije pokretanja uređaja osigurajte da oštrice za rezanje neće doći u kontakt s ničim.**
- **Osigurajte da je uređaj pravilno smješten u prepoznatom radnom položaju prije pokretanja uređaja.**
- **Prilikom rada s kresačem za ogradu, uvijek ga držite čvrsto s obje ruke za obje ručke i osigurajte da je radni položaj siguran i čvrst.** Proizvođač ne preporučuje korištenje stepenica ili ljestvi.
- **Koristite kopčuk ako je isporučena s vašim kresačem za obrazivanje.** Također podržava težinu uređaja tijekom korištenja i tijekom pomicanja između položaja za obrezivanje. Pažljivo podesite kopčuk rad komfora.
- **Pronađite brzi mehanizam za otpuštanje i vježbajte korištenje prije nego počnete koristiti uređaj.** Njegovo pravilno korištenje sprječava ozbiljne povrede u slučaju nužde. Nikada ne nosite dodatnu odjeću preko kopče ili na drugi način ne ograničavajte pristup mehanizmu za brzo otpuštanje.





- Za osobnu zaštitu od strujnog udara, ne radite unutar 10 m od nadzemnih vodova.
- Nikada ne koristite kresač za ogradu pored ograda, klinova, zgrada ili drugih nepokretnih objekata.
- Noževi su oštri. Kada rukujete sa sklopom noža, nosite zaštitne rukavice velike debljine koje se ne klizu. Ne stavljate ruku ili prste između noževa ili u neku poziciju gdje mogu biti prignječeni ili odrezani. Nikada ne dodirujte oštricu ili servisirajte jedinicu ako baterija nije uklonjena.
- Isključite i uklonite bateriju prije:
 - podešavanje radnog položaja reznog urđaja
 - čišćenje i odblokiranje
 - ostavljanje proizvoda bez nadzora
 - provjere, održavanja ili rada na uređaju
- Nemojte siliti trimmer za ogradu kroz teško žbunje. Ovo može uzrokovati tromost oštrice i usporavanje. Ako oštrice uspore smanjite brzinu hoda.
- Nemojte pokušati rezati stabiljke ili grane koje su veće debljine od 18 mm ili onih koji su očito preveliki da uđu u oštrice za rezanje. Koristite ručnu pilu ili pilu za sječenja za trimanje velikih stabiljki.
- Korištenje zaštite za sluh smanjuje vašu mogućnost da čujete upozorenja (viku ili alarme). Rukovatelj mora obratiti posebnu pozornost na to što se događa u radnom području.
- Nemojte raditi s kresačem kojem su oštrice oštećene ili previše istrošene.
- Uvijek imajte na umu okruženje i budite na oprezu za moguće opasnosti koje možda ne čujete zbog buke uređaja.

⚠ UPOZORENJE

Ako je uređaj ispao, pretrpio težak udar ili abnormalno vibrira, odmah zaustavite uređaj i provjerite na oštećenje ili identificirajte uzrok vibracija. Svaki oštećeni dio trebao bi pravilno popraviti ili zamijeniti ovlašteni servisni centar.

⚠ UPOZORENJE

Provjerite da su sve spojke osovina na produžnom priključku i alatu čvrsto pritegnute prije svakog korištenja.

PRIJEVOZ I SKLADIŠTENJE

- Zaustavite uređaj, uklonite bateriju i omogućite da se ohladi prije spremanja ili transporta.
- Očistite svaki strani materijal s uređaja. Skladištite ga na suhom i dobro ventiliranom mjestu koje nije pristupačno djeci. Za dodatnu sigurnost, spremite bateriju odvojeno od proizvoda. Nemojte ju ostavljati u blizini korozivnih agenasa kao ni vrtnih kemijskih proizvoda i soli za odmrzavanje. Ne ostavljajte na otvorenom.
- Prije pohranjivanja jedinice ili tijekom transporta pokrijte oštricu sa štitnikom za oštricu.
- Za prijevoz, osigurajte uređaj protiv pomicanja ili pada kako biste spriječili povrede osoba ili oštećenja na uređaju.

ODRŽAVANJE

⚠ UPOZORENJE

Koristite samo originalne zamjenske dijelove, dodatni pribor i priključke od proizvođača. Nepoštivanje ovih uputa može dovesti do mogućih ozljeda, loše učinkovitosti i može dovesti do poništenja jamstva.

⚠ UPOZORENJE

Servisiranje iziskuje krajnju pažnju i znanje i treba da ga vrši samo kvalificirani serviser. Za servisiranje mi vam preporučamo da odnesete proizvod u najbliži ovlašteni servisni centar radi opravke. Prilikom servisiranja koristiti identične zamjenske dijelove.

⚠ UPOZORENJE

Noževi su oštri. Za sprječavanje osobnih ozljeda, budite osobito pažljivi kada čistite, podmazujete i postavljate ili uklanjate štitnik oštrice.

- Uklonite bateriju prije izvođenja ovih radova održavanja i čišćenja.
- Možete izvršiti podešavanja i popravke koji su opisani u ovom priručniku. Za druge popravke, obratite se ovlaštenom servisnom agentu.
- Nakon svakog korištenja, očistite kućište sa suhom mekom krpom.
- Nakon svakog korištenja, očistite ostatke s oštrica sa čvrstom četkom i potom pažljivo primjenite sredstvo protiv hrđe prije ponovnog postavljanja štitnika oštrice. Koristite preporučeni raspršivač za sprječavanje hrđe i podmazivanje. Izbjegavajte kontakt s oštricom čak i kada primjenjujete sredstvo za podmazivanje. Za informacije o prikladnim proizvodima kao sprej, provjerite kod lokalnog ovlaštenog servisnog centra.
- Možda budete željeli podmazati oštrice prije korištenja, po potrebi, korištenjem gornjeg načina.
- Često provjeravajte sve matice i zavrtnje da li su dobro pritegnuti kako biste bili sigurni da je proizvod u sigurnom radnom stanju. Svaki oštećeni dio trebao bi pravilno popraviti ili zamijeniti ovlašteni servisni centar.

OSTALE OPASNOSTI:

- Čak i kad je uređaj korišten kao što je prethodno opisano, još uvijek nije moguće potpuno isključiti ostale čimbenike opasnosti. Može doći do sljedećih opasnosti prilikom korištenja i operater mora obratiti posebnu pozornost kako bi izbjegao sljedeće:
- Oštrice se ne mogu štititi dok režu. Kontakt s oštricama može uzrokovati ozbiljne ozljede. Držite oštrice dalje od sebe i drugih. Pokrijte ih sa štitnikom za oštrice kad got ne režete.
 - Ozljede uzrokovane vibracijom. Uvijek koristite pravi alat za posao, koristite označenu kopču i ograničite radno vrijeme i izloženost.
 - Izlaganje buci može izazvati povredu sluha. Nosite



zaštitu za sluh i ograničite izloženost.

SMANJENJE OPASNOSTI

Prijavljeno je da vibracije alata koje se drži u ruci kod određenih pojedinaca mogu doprinijeti stanju pod nazivom Raynaud's Syndrome. Simptomi mogu uključivati trnce, ukočenost i bjelinu prstiju, obično uočljivo po izlaganju hladnoći. Smatra se da nasljedne osobine, izlaganje hladnoći i vlazi, dijeta, pušenje i radni postupci pridonose razvoju ovih simptoma. Postoje mjere koje operator može poduzeti kako bi smanjio moguće učinke vibracije:

- Održavajte svoje tijelo toplim u hladnim vremenskim uvjetima. Kad radite s uređajem nosite rukavice kako biste ruke i zglobove održavali toplima. Prijavljeno je da je hladnoća glavni čimbenik koji doprinosi Raynaud's Syndrome.
- Nakon svakog perioda rada vježbajte kako biste povećali cirkulaciju krvi.
- Uzimajte česte stanke u radu. Ograničite količinu izlaganja po danu.

Ako osjetite neke od simptoma ovog stanja, odmah prekinite korištenje i obratite se svome liječniku vezano uz ove simptome.

⚠ UPOZORENJE

Povrede mogu biti uzrokovane ili zadobivene produljenim korištenjem alata. Kada koristite bilo koji alat dulje vremena, osigurajte da uzimate povremene stanke.

UPOZNAJTE SVOJ PROIZVOD

Pogledajte stranicu 125.

1. Oštrica
2. Gumb za usmjeravanje
3. Produžni priključak
4. Spojka osovine
5. Kuka remena
6. Prednja ručka
7. Blokada otkopca
8. Stikalo za vklop/izklop
9. HedgeSweep™ čistač otpadaka
10. Korice (štitnik lanca i vodilice lanca)
11. Remen
12. Baterija
13. Gumb za zasun baterije
14. Punjač

SIMBOLI NA PROIZVODU



Sigurnosno upozorenje



Pročitajte i razumite sve upute prije rada s proizvodom, slijedite sva upozorenja i sigurnosne upute.



Nosite zaštitu za vid, sluh i glavu



Nosite obuću protiv klizanja prilikom korištenja ovog proizvoda.



Nosite zaštitne rukavice velike debljine koje se ne klizu.



Ne izlažite kiši ili vlažnim uvjetima.



Povući: Jezičac za brzo oslobađanje



Oštre oštrice za rezanje. Za sprečavanje ozbiljnih ozljeda, ne dodirujte oštrice za rezanje.



Električna opasnost. Držite se najmanje 10 metara dakle od vodova nad glavom.



Čuvajte se odbačenih ili letećih predmeta. Držite sve promatrače, naročito djecu i kućne ljubimce na udaljenosti ne manjoj od 15 m od radnog područja.



Otpadni električni proizvodi ne treba da se odlažu s otpadom iz domaćinstva. Molimo da reciklirate gdje je to moguće. Potražite savjet od lokalnih vlasti ili prodavca kako reciklirati.



Ovaj alat usklađen je sa svim normama i propisima zemlje Europske unije u kojoj je kupljen.



EurAsian znak konformnosti



Ukrajinska oznaka za sukladnost



Jamčena razina zvučne snage 95 dB.

IKONE U OVOM PRIRUČNIKU



Dijelovi ili pribor prodan odvojeno



NAPOMENA



Upozorenje!

Slijedeće riječi upozorenja i značenja imaju namjeru da objasne nivo rizika u vezi s ovim proizvodom.

⚠ OPASNOST

Ukazuje na neposrednu opasnu situaciju, koja, ukoliko se ne izbjegne, može rezultirati smrću ili opasnim povredama

 **UPOZORENJE**

Ukazuje na moguću opasnu situaciju, koja, ukoliko se ne izbjegne, može rezultirati smrću ili opasnim povredama

 **UPOZORENJE**

Ukazuje na moguću opasnu situaciju, koja, ukoliko se ne izbjegne, može rezultirati manjim ili blažim povredama

UPOZORENJE

Bez sigurnosnog simbola upozorenja

Naznačuje situaciju koja može rezultirati oštećenjem imovine.



Pri snovanju vašega brezžičnega teleskopskega obrezovalnika žive meje smo največ pozornosti namenili varnosti, učinkovitosti in zanesljivosti.

NAMEN UPORABE

Izdelek je namenjen samo za zunanjo uporabno s strani enega upravljavca, ki stoji trdno na tleh. Iz varnostnih razlogov morate izdelek v vsakem trenutku imeti pod nadzorom z obema rokama.

Izdelek je namenjen za domačo uporabo. Izdelek je namenjen obrezovanju žive meje, grmičevja in podobnega rastlinja. Izdelek je zasnovan, da se lahko po dolžini podaljša za maksimalno 2.93 m.

Ne prekoračite te delovne dolžine.

Uporabljati ga je treba v suhih razmerah z dobro svetlobo.

NI namenjen košenju trave, obrezovanju drevja ali vej. Ne smete ga uporabljati za druge namen kot pa za obrezovanje žive meje.

SPLOŠNA VARNOSTNA OPOZORILA

⚠ OPOZORILO

Preberite vsa varnostna opozorila in navodila. Zaradi neupoštevanja opozoril in navodil lahko pride do električnega udara, požara in/ali resnih poškodb.

Shranite vsa opozorila in navodila za kasnejšo uporabo.

Izraz »električno orodje« v opozorilih se nanaša na orodja, ki jih poganja električni tok (žična), ali na akumulatorska (brezžična) orodja.

DELOVNO OBMOČJE

- **Delovno območje naj bo čisto in dobro osvetljeno.** V neurejenih in temnih območjih se rade zgodijo nesreče.
- **Električnih orodij ne uporabljajte v eksplozivnih okoljih npr. v bližini vnetljivih tekočin, plinov ali prahu.** Električna orodja proizvajajo iskre, ki lahko vnamejo prah ali hlape.
- **Med uporabo električnega orodja v bližino ne pustite otrok in drugih ljudi.** Zaradi zmanjšane koncentracije lahko izgubite nadzor.

ELEKTRIČNA VARNOST

- **Vtiči električnih orodij se morajo prilegati vtičnicam. Vtiča nikoli in na noben način ne smete spreminjati. Z ozemljenimi električnimi orodji ne uporabljajte adapterjev vtiča.** Nespremenjeni vtiči in ustrezne vtičnice zmanjšajo tveganje električnega udara.
- **Izogibajte se telesnemu stiku z ozemljenimi površinami, kot so cevi, radiatorji, kuhalniki in hladilniki.** Če je vaše telo ozemljeno, obstaja povečano tveganje električnega udara.
- **Izdelka ne izpostavljajte dežju ali vlažnim pogojem.** Voda v električnem orodju znatno poveča tveganje električnega udara.
- **Kabla ne uporabljajte za neustrezne namene.** Kabla nikoli ne uporabljajte za prenašanje, vleko ali izklop

električnega orodja. Pazite, da kabel ne pride v stik z vročino, oljem, ostrimi robovi ali gibljivimi deli. Poškodovani ali zapleteni kabli zvišujejo tveganje električnega udara.

- **Med uporabo električnega orodja na prostem uporabljajte podaljševalni kabel, ki je primeren za zunanjo uporabo.** Uporaba kabla, primernega za zunanjo uporabo, znižuje tveganje električnega udara.
- **Če je delo z električnim orodjem v vlažnem okolju neizogibno, uporabite tokovno zaščitno stikalo (RCD).** Uporaba naprave RCD zmanjša tveganje za električni udar.

OSEBNA VARNOST

- **Med obratovanjem bodite pozorni, spremljajte potek dela in uporabljajte zdrav razum. Električnega orodja ne uporabljajte, ko ste utrujeni oz. pod vplivom drog, alkohola ali zdravil.** Trenutek nepazljivosti med uporabo električnega orodja lahko povzroči hude telesne poškodbe.
- **Uporabljajte osebno zaščitno opremo. Vedno nosite zaščito za oči.** Če v različnih okoliščinah nosite ustrezno zaščitno opremo, kot so maska proti prahu, obutev z nedersečim podplatom, trdno pokrivalo glave in zaščita za sluh, zmanjšate možnost telesnih poškodb.
- **Preprečite neženel zagon. Preden orodje priključite na vir napajanja, vstavite baterije, ga vzamete v roke ali prenašate, se prepričajte, da je stikalo v izključenem položaju.** Prenašanje električnih orodij, tako da prst držite na stikalu, ali dovajanje napajanja električnim orodjem, pri katerih je stikalo v položaju »on (vklop)« poveča tveganje nesreč.
- **Pred vklopom električnega orodja odstranite morebitne nastavitvene ključe ali izvijače.** Izvijač ali ključ, ki ostane pritrjen na vrtljivi del električnega orodja, lahko povzroči telesne poškodbe.
- **Nesiahajte priliš daleko. Pazite, da stojite stabilno in da imate ravnotežje.** To omogoča boljši nadzor nad električnim orodjem v nepričakovanih situacijah.
- **Bodite primerno oblečeni. Ne nosite ohlapnih oblačil ali nakita. Pazite, da lasje, oblačila in rokavice ne pridejo v bližino gibljivih delov.** Ohlapna oblačila, nakit ali dolgi lasje se lahko zapletejo v gibljive dele.
- **Če so naprave namenjene priključitvi na pripomočke za sesanje in zbiranje prahu, se prepričajte, da so ti priključeni in ustrezno uporabljeni.** Uporaba zbiralca prahu lahko zmanjša nevarnosti, povezane s prahom.

UPORABA IN NEGA ELEKTRIČNEGA ORODJA

- **Izdelka ne preobremenjujte. Uporabite električno orodje, ki ustreza vašemu delu.** Ustrezno električno orodje bo nalogo opravilo bolje in varneje v kategoriji, za katero je bilo zasnovano.
- **Ne uporabljajte električnega orodja, če ga stikalo ne vklopi ali izklopi, kot bi bilo treba.** Kakršno koli električno orodje, ki ga ni mogoče nadzirati s stikalom, je nevarno in ga je potrebno popraviti.
- **Odklopite vtič z vira napajanja in/ali baterije, preden opravljate kakršne koli prilagoditve, menjate dodatke ali shranjujete električno orodje.**

EN
FR
DE
ES
IT
NL
PT
DA
SV
FI
NO
RU
PL
CS
HU
RO
LV
LT
HR
ET
SL
SK
BG
UK





Tovrstni preventivni varnostni ukrepi zmanjšajo možnost slučajnega zagona električnega orodja.

- **Električna orodja, ki niso v uporabi, shranjujte izven dosega otrok in ne dovolite, da bi električno orodje uporabljale osebe, ki niso seznanjene z električnim orodjem ali s temi navodili.** Električna orodja so v rokah neusposobljenih uporabnikov nevarna.
- **Električna orodja redno vzdržujte.** Preverite, če so gibljivi deli napačno poravnani ali zaskočeni, če so sestavni deli polomljeni ali če obstaja kakršno koli druge stanje, ki lahko vpliva na varno delovanje električnega orodja. Če je električno orodje poškodovano, ga pred ponovno uporabo dajte v popravilo. Številne nesreče zakrivijo neustrezno vzdrževana električna orodja.
- **Rezalna orodja naj bodo vedno nabrušena in čista.** Pravilno vzdrževana rezalna orodja z ostrimi rezili se težje zaskočijo in jih je lažje nadzirati.
- **Električno orodje, dodatke, nastavke za orodje itd. uporabljajte v skladu s temi navodili ter upoštevajte delovne pogoje in vrsto dela, ki ga boste izvajali.** Uporaba električnega orodja za namene, ki so drugačni od tistih, za katere je bilo orodje zasnovano, lahko povzroči nevarne situacije.

UPORABA IN VZDRŽEVANJE BATERIJSKEGA ORODJA

- **Baterijo polnite le s polnilnikom, ki ga določa proizvajalec.** Polnilnik, ki ustreza eni vrsti baterij, morda lahko povzroči požar, če z njim polnite drugo vrsto baterij.
- **Baterijska orodja uporabljajte samo s predpisano vrsto baterij.** Uporaba katerih koli drugih baterij ustvari tveganje poškodb in požara.
- **Ko baterije ne uporabljajte, pazite, da bo odmaknjena od kovinskih predmetov, kot so papirne sponke, kovanci, ključi, žebliji, vijaki ali drugih majhni kovinski predmeti, ki bi lahko povzročili povezavo med obema terminaloma.** Kratak stik zaradi povezanih terminalov baterije lahko povzroči opekline ali požar.
- **Ob zlorabi baterije lahko iz nje steče tekočina. Če se po nesreči dotaknete tekočine, mesto dotika sperite z vodo. Če pride tekočina v stik z očmi, poiščite zdravstveno pomoč.** Tekočina, ki izteče iz baterije, lahko povzroči vnetje ali opekline.

SERVISIRANJE

- **Električno orodje naj servisira usposobljena oseba, uporabljati pa sme le originalne nadomestne dele.** To bo zagotovilo vzdrževanje varnostni električnega orodja.

PALIČNI KOTNI REZALNIK – VARNOSTNA OPOZORILA

- **Delov telesa nikoli ne izpostavljajte rezilom.** Trenutek nepazljivosti med uporabo izdelka lahko privede do resnih telesnih poškodb.
- **Palični obrezovalnik žive meje prenašajte tako, da ga držite za ročaj, rezilo pa naj bo pri tem**

ustavljeno. Med transportom ali skladiščenjem paličnega obrezovalnika žive meje vedno uporabljajte embalažo za shranjevanje. Ustrezno ravnanje s paličnim obrezovalnikom za živo mejo zmanjša tveganje poškodb zaradi rezil.

- **Električno orodje držite le za izolirane držalne površine, saj lahko rezilo pride v stik s skrito žico.** Če se rezila dotaknejo žice, ki je pod električno napetostjo, lahko izpostavljeni kovinski deli električnega orodja postanejo »živi« in povzročijo električni udar.

DODATNA VARNOSTNA OPOZORILA

- Pred vsako uporabo temeljito očistite območje obratovanja. Odstranite vse predmete, ki se lahko vključijo ali zapletejo v rezilo, kot npr. kabli, svetilke, žica ali vrvica.
- Bodite pozorni na izvržene predmete. Vsi prisotni, otroci in živali naj bodo vsaj 15 m stran od delovnega območja.
- Vedno preverite, ali so za ali v živi meji in grmih, ki jih nameravate obrezati, ljudje ali živali.
- S cepilnikom ne upravljajte pri slabi osvetljavi. Upravitelj mora imeti jasen pregled nad delovnim območjem, da lahko prepozna morebitne nevarnosti.
- Prej vsako uporabo preglejte stroj. Preverite, ali so pritrdila dobro pritrdjena, prepričajte se, da so vsa varovala in ročaji pravilno in trdno pritrdjeni. Pred uporabo zamenjajte poškodovane dele.
- Stroja nikoli ne spreminjajte na kakršen koli način.
- Otrokom in neusposobljenim osebam ne dovolite, da bi uporabljali ta izdelek.
- Pri uporabi izdelka vedno nosite popolno zaščito za oči in sluh. Pri delu na območju, kjer obstaja tveganje za padajoče predmete, morate nositi zaščito za glavo.
- Nosite trdne, dolge hlače, škornje in rokavice. Ne nosite ohlapnih oblačil, kratkih hlač, nobenega nakita in ne uporabljajte bosi.
- Dolge lase si spnite nad rameni in tako preprečite, da bi se ujeli v premikajoče se dele.
- Naprave ne uporabljajte, ko ste utrujeni, bolni ali pod vplivom alkohola, drog ali zdravil.
- Pazite na ravnotežje in ne pretiravajte. Nesihajte priliš daleko. Če sežete predaleč, lahko izgubite ravnotežje, kar lahko vodi do hude poškodbe.
- Preden stroj zaženete, se prepričajte, da se rezila ne dotikajo ničesar.
- Pazite, da je naprava v v ustreznem delovnem položaju, preden jo zaženete.
- Med uporabo palični obrezovalnik žive meje vedno trdno držite z obema rokama za oba ročaja, pri tem pa poskrbite, da je delovni položaj varen in zavarovan. Proizvajalec priporoča, da ne uporabljate stopnic ali lestev.
- Uporabite jermen, če je bil dostavljen s paličnim obrezovalnikom žive meje. Pomagalo vam bo pri podpiranju teže izdelka med uporabo in pri premikanju med obrezovalnimi pozicijami. Previdno prilagodite jermen, da se vam bo udobno prilegal.
- Preden začnete uporabljati napravo, poiščite hitri





odpenjalni mehanizem in vadite njegovo uporabo. Pravilna uporaba lahko prepreči hude telesne poškodbe v nujnem primeru. Nikoli ne nosite oblačil prek traka za nošenje ali kako drugače omejite dostop do mehanizma za hitro sprostitvev.

- Da bi se zaščitili pred električnim udarom, ne obratujte znotraj 10 m od električnih napeljav nad vami.
- Paličnega obrezovalnika žive meje nikoli ne uporabljajte blizu ograj, drogov, stavb ali nepremičnih predmetov.
- Rezila so ostra. Pri sestavljanju rezil si nadenite ndrseče zaščitne rokavice za groba dela. Dlani ali prstov ne polagajte med rezila ali na katera koli mesta, kjer bi jih lahko preščipnili ali porezali. Rezila ali pogonske enote se nikoli ne dotikajte, razen če je baterija odstranjena.
- Baterijo izklopite in odstranite, preden:
 - nastavljanje delovnega položaja rezilne naprave
 - čiščenje ali ko odstranjujete blokado
 - pustiti izdelek brez nadzora
 - pregledovanjem, vzdrževanjem ali delu na izdelku.
- Obrezovalnika ne potiskajte na silo skozi gosto grmičevje. S tem se rezila lahko upočasnijo. Če se rezila upočasnijo, upočasnite tempo.
- Ne režite debel ali vej, ki so debelejše od 18 mm ali takih, ki so očitno prevelike, da bi ustrezale velikosti rezila. Velika stebila odrežite z neelektrično ročno žago.
- Zaščita za sluh zmanjša vašo sposobnost, da slišite opozorila (alarme ali klice). Upravljalavec mora še bolj paziti na dogajanje v okolici.
- Paličnega obrezovalnika žive meje ne uporabljajte, če so rezila poškodovana ali močno obrabljena.
- Vedno bodite previdni in pozorni na okolico, saj zaradi hrupa stroja morda ne boste opazili morebitnih nevarnosti.

⚠ OPOZORILO

Če vam naprava pade na tla, nanjo pade predmet ali se začne neobičajno tresi, jo takoj izključite in preglejte, ali je poškodovana oz. ugotovite vzrok tresenja. Vsakršno poškodbo mora ustrezno popraviti ali zamenjati pooblaščen servisni center.

⚠ OPOZORILO

Pred vsako uporabo in pogosto preverite, da so vse gredne vezi na podaljšku in orodju trdno pritrjene.

TRANSPORT IN SHRANJEVANJE

- Ustavite napravo, odstranite baterijo in počakajte, da se ohladita, preden ju shranite ali transportirate.
- Očistite vse tuje z izdelka. Shranite jo na suhem in dobro prezračnem mestu, ki ni na dosegu otrok. Za dodatno varnost baterijo shranite ločeno od izdelka. Hranite proč od jedkih sredstev, kot so kemikalije za vrtnarjenje in soli za odmrzovanje. Ne shranjujte na prostem.
- Pred shranjevanjem ali med transportom vedno

zavarujte rezilo z zaščito rezila.

- Za transport zavarujte izdelek pred premiki ali padci, da preprečite poškodbe oseb ali izdelka.

VZDRŽEVANJE

⚠ OPOZORILO

Uporabljajte le originalne rezervne dele in dodatke, ki jih priporoča proizvajalec. V nasprotnem primeru naprava lahko slabo deluje, povzroči poškodbe, garancija pa ne velja več.

⚠ OPOZORILO

Servisiranje zahteva posebno pozornost in znanje in naj jo zato opravlja samo izurjeni servisni tehnik. Servisiranje in popravila izdelka vam priporočamo pri vašem najbližjem pooblaščenem servisnem centru. Pri servisiranju uporabljajte le identične nadomestne dele.

⚠ OPOZORILO

Rezila so ostra. Da preprečite poškodbe oseb, bodite pri čiščenju, mazanju in nameščanju ter odstranjevanju zaščitite rezila izredno previdni.

- Preden se lotite vzdrževanja ali čiščenja, odstranite baterijo.
- Opravljati smete le nastavitve in popravila, ki so opisana v teh navodilih za uporabo. Za ostala popravila se obrnite na pooblaščenega serviserja.
- Po vsaki uporabi z mehko suho krpo očistite trup in ročaje izdelka.
- Po vsaki uporabi s trdo krtačo z rezila odstranite ostanke, nato pa previdno nanesite mazivo proti rji, preden znova namestite zaščito rezila. Uporabite priporočeno zaščitno sredstvo proti rji in sprej za mazanje. Pri nanašanju maziva se izogibajte stiku z rezilom. Za informacije o ustreznem spreju se obrnite na lokalni pooblaščen servisni center.
- Pred uporabo lahko rezila po potrebi rahlo namažete, pri tem pa upoštevajte zgornjo metodo.
- Pogosto preverjajte, ali so vse matice in vijaki dobro pritrjeni in tako zagotovite varno delovno stanje izdelka. Vsak poškodovani del mora ustrezno popraviti ali zamenjati pooblaščen servisni center.

REZIDUALNA TVEGANJA:

Tudi če napravo uporabljate tako, kot je predpisano, ni mogoče popolnoma odpraviti določenih preostalih dejavnikov tveganja. Med uporabo se lahko pojavijo naslednje nevarnosti, upravljalavec pa naj bo pozoren na sledeče:

- Rezila med rezanjem ne morejo biti varovana. Stik z rezili lahko povzroči hude poškodbe. Rezilo držite proč od vas in ostalih. Kadar ne obrezujete, jih zavarujte s pokrivalom za rezila.
- Poškodbe zaradi vibracij. Vedno uporabljajte pravo

EN
FR
DE
ES
IT
NL
PT
DA
SV
FI
NO
RU
PL
CS
HU
RO
LV
LT
ET
HR
SL
SK
BG
UK



orodje za opravilo, uporabite ustrezne ročaje in omejite delovni čas in izpostavljenost.

- Izpostavljenost hrupu lahko povzroči poškodbo sluha. Nosite zaščito za sluh in omejite izpostavljenost.

ZMANJŠANJE TVEGANJA

Ugotovljeno je bilo, da lahko pri nekaterih posameznikih vibracije ročnih orodij povzročijo Raynaudov sindrom. Simptomi so lahko mravljinци, otrplost in pobledele prsti, kar je običajno vidno, kadar je oseba izpostavljena mrazu. Dedni dejavniki, izpostavljenost mrazu in vlagi, dieta, kajenje in delovne navade naj bi pripomogle k razvoju teh simptomov. Za zmanjšanje učinkov vibracij lahko upravljavec upošteva naslednja navodila:

- Poskrbite, da bo vaše telo na mrazu toplo. Med upravljanjem nosite rokavice in tako ohranjajte toploto vaših dlani in zapestij. Kot poročajo, je mraz glavni dejavnik, ki prispeva k Raynaudovemu sindromu.
- Po vsakem obdobju upravljanja naprave telovadite in tako pospešite krvni obtok.
- Pogosto si vzemite odmor. Omejite dnevno količino izpostavljenosti.

Če zaznavate kakršne koli simptome takšnega stanja, takoj prenehajte z uporabo naprave in se o simptomih posvetujte z zdravnikom.

⚠ OPOZORILO

Daljša uporaba orodja lahko privede do poškodb ali pa so poškodbe lahko hujše. Kadar orodje uporabljate dalj časa, si večkrat vzemite odmor.

SPOZNAJTE SVOJ IZDELEK

Glejte stran 125

1. Rezilo
2. Tečajni gumb
3. Podaljšek
4. Gredna vez
5. Obešalnik za jermen
6. Sprednji ročaj
7. Sprožilni gumb
8. Za vklop/izklop
9. Čistilnik smeti HedgeSweep™
10. Zaščitni tulec
11. Jermen
12. Akumulator
13. Gumb zapaha za baterijo
14. Polnilec

SIMBOLI NA IZDELKU



Varnostni alarm



Pred uporabo izdelka morate prebrati in razumeti vsa navodila, upoštevati vsa opozorila in varnostne napotke.



Nosite zaščito za oči, ušesa in glavo.



Ko uporabljate izdelek, nosite zaščitno obutev, ki ne drsi.



Nosite si nredseče, močne delovne zaščitne rokavice.



Ne izpostavljajte ga dežju ali vlagi.



Povlecite: Jeziček za hitro sprostitvev



Ostra rezila. Da bi preprečili resne poškodbe, se ne dotikajte rezil.



Nevarnost električnega udara. Držite najmanj 10 m proč od nadzemskih napeljav.



Pazite na izvržene ali leteče predmete. Prisotni, še posebej otroci in živali, naj bodo med obratovanjem oddaljeni vsaj 15m od delovnega območja.



Odpadne električne izdelke odlagajte skupaj z ostalimi gospodinjstskimi odpadki. Reciklažo opravljajte na predpisanih mestih. Za reciklažni nasvet se obrnite na lokalne oblasti.



Ustreza vsem predpisanim standardom v državi članici EU, kjer je bil kupljen izdelek.



EurAsian oznaka o skladnosti



Ukrajinska oznaka za skladnost



Zajamčena raven zvočne moči je 95 dB.

IKONE V TEM PRIROČNIKU



Deli ali dodatki so na prodaj ločeno



OPOMBA



Opozorilo!

Sledeče signalne besede in pomeni naj bi pojasnili ravni tveganja, ki so povezane s tem izdelkom.

⚠ NEVARNOST

Označuje neizbežno tvegano stanje, ki če se ji ne izognete lahko povzroči smrt ali resno poškodbo.

⚠ OPOZORILO

Označuje morebitno tvegano stanje, ki če se ji ne izognete lahko povzroči smrt ali resno poškodbo.

⚠ POZOR

Označuje morebitno tvegano stanje, ki če se mu ne izognete lahko povzroči manjšo ali srednje resno poškodbo.

POZOR

Brez simbola za varnostno opozorilo

Prikazuje situacijo, ki lahko povzroči materialno škodo.

EN
FR
DE
ES
IT
NL
PT
DA
SV
FI
NO
RU
PL
CS
HU
RO
LV
LT
ET
HR
SL
SK
BG
UK



Pri navrhovaní tohto akumulátorového strihača živého plotu boli najvyššou prioritou bezpečnosť, výkon a spoľahlivosť.

ÚČEL POUŽITIA

Produkt je určený len na použitie v exteriéri jednou obsluhujúcou osobou stojacou na pevnom podklade. Z bezpečnostných dôvodov sa musí tento produkt primerane ovládať neustále oboma rukami.

Tento produkt je určený na domáce použitie. Je určený na rezanie a orezávanie živých plotov, raždia a podobnej vegetácie. Produkt je skonštruovaný tak, že ho možno predĺžiť maximálne na dĺžku 2.93 m.

Neprekračujte túto pracovnú dĺžku.

Musí sa používať v suchom a dobre osvetlenom prostredí.

NIE je určené na strihanie trávy, stromov či konárov. Nesmie sa používať na žiadne iné účely okrem strihania živých plotov.

VŠEOBECNÉ BEZPEČNOSTNÉ VÝSTRAHY

VAROVANIE

Prečítajte si všetky bezpečnostné výstrahy a pokyny. Pri nedodržaní týchto výstrah a pokynov môže dôjsť k úrazu elektrickým prúdom, požiaru a/alebo závažnému poraneniu.

Odložte všetky upozornenia a pokyny použité v budúcnosti.

Pojem „mechanický nástroj“ vo výstrahách sa vzťahuje na váš sieťový (káblový) mechanický nástroj alebo akumulátorový (bezkáblový) mechanický nástroj.

PRACOVNÝ PRIESTOR

- **Pracovisko udržiavajte v čistote a správne osvetlené.** Prepchané alebo tmavé miesta zvyšujú pravdepodobnosť nehôd.
- **Nepracujte s mechanickými nástrojmi vo výbušných atmosférach, napríklad v blízkosti zápalných tekutín, plynov alebo prachu.** Mechanické nástroje vytvárajú iskry, ktoré môžu podpáliť takýto prach alebo výpary.
- **Deti a okolostojaci sa počas práce s mechanickým nástrojom nesmú držovať v jeho blízkosti.** Rozptýlenie môže spôsobiť, že stratíte nad nástrojom kontrolu.

ELEKTRICKÁ BEZPEČNOSŤ

- **Zástrčky mechanického nástroja musia zodpovedať zásuvke.** Zástrčku nikdy žiadnym spôsobom neupravujte. S uzemnenými mechanickými nástrojmi nepoužívajte rozdvojnú zásuvku. Použitím neupravených zástrčiek a zodpovedajúcich zásuviek sa znižuje riziko úrazu elektrickým prúdom.
- **Vyhýbajte sa telesnému kontaktu s uzemnenými povrchmi, napríklad rúrami, radiátormi, sporákmi a chladničkami.** Ak je vaše telo uzemnené, hrozí vysoké riziko úrazu elektrickým prúdom.
- **Produkt nevystavujte dažďu ani mokrému prostrediu.** Voda, ktorá vnikne do mechanického

nástroja, zvyšuje riziko úrazu elektrickým prúdom.

- **Kábel nenamáhajte. Nikdy nepoužívajte kábel na prenášanie, ťahanie alebo odpájanie mechanického nástroja.** Kábel nedávajte do blízkosti tepla, oleja, ostrých okrajov alebo pohyblivých dielov. Poškodené alebo zamotané káble zvyšujú riziko úrazu elektrickým prúdom.
- **Pri práci s mechanickým nástrojom v exteriéri používajte predlžovací kábel vhodný pre použitie v exteriéri.** S káblom vhodným pre použitie v exteriéri sa znižuje riziko úrazu elektrickým prúdom.
- **Ak je nevyhnutné pracovať s mechanickým nástrojom vo vlhkom prostredí, použite zdroj chránený zariadením pre zvyškový prúd.** Použitie zariadenia pre zvyškový prúd znižuje riziko úrazu elektrickým prúdom.

OSOBNÁ BEZPEČNOSŤ

- **Pri práci s mechanickým nástrojom buďte ostražití, sledujte, čo robíte a používajte zdravý rozum. Nepoužívajte mechanický nástroj, keď ste unavení alebo pod vplyvom drog, alkoholu alebo liekov.** Chvilka nepozornosti počas práce s mechanickými nástrojmi môže spôsobiť závažné osobné poranenie.
- **Používajte osobné ochranné pomôcky.** Vždy používajte chrániče zraku. Ochranné pomôcky ako protiprachová maska, protišmyková bezpečnostná obuv, pevný klobúk alebo chrániče sluchu, používané pre príslušné podmienky, znižujú riziko vzniku osobného poranenia.
- **Zabráňte neúmyselnému spusteniu.** Pred zapojením zariadenia do siete a/alebo k jednotke akumulátora, zdvihnutím alebo prenášaním nástroja vždy skontrolujte, či je spínač vo vypnutej polohe. Pri prenášaní mechanických nástrojov s prstom položeným na spínači alebo pripájaní mechanických nástrojov so zapnutým spínačom sa zvyšuje riziko úrazu.
- **Pred zapnutím nástroja odstráňte prípadný nastavovací klin alebo kľúč.** Keď necháte kľúč alebo klin nasadený na rotujúci diel mechanického nástroja, môže dôjsť k vážnemu poraneniu osôb.
- **Neprečeňujte sa.** Neustále zachovávajte pevnú oporu nôh a rovnováhu. Tak si zaistíte lepšiu kontrolu nad mechanickým nástrojom v nečakaných situáciách.
- **Primerane sa oblečte. Nenoste voľný odev ani šperky.** Vlasy, odev a rukavice nepribližujte k pohybujúcim sa dielom. Voľný odev, šperky či dlhé vlasy sa môžu zachytiť do pohyblivých častí.
- **Ak sú zariadenia vybavené pripojením na prostriedky na odsávanie a zber prachu, zistite, aby boli správne pripojené a primerane sa používali.** Pri použití týchto prostriedkov sa znižujú riziká pochádzajúce z prachu.

POUŽÍVANIE ELEKTRICKÉHO NÁSTROJA A STAROSTLIVOSŤ OŇ

- **Na nástroj nevyvíjajte silu. Používajte vhodný nástroj pre dané použitie.** Správny mechanický nástroj splní svoju úlohu lepšie a bezpečnejšie pri rýchlosti, na ktorú je určený.





- **Mechanický nástroj nepoužívajte, ak spínač nezapína a nevypína nástroj.** Mechanický nástroj, ktorý sa nedá ovládať spínačom, je nebezpečný a musí sa dať opraviť.
- **Pred vykonaním akýchkoľvek úprav, výmene príslušenstva alebo odložením mechanického nástroja odpojte zástrčku zo sieťovej zásuvky a/alebo jednotky akumulátora.** Takéto preventívne opatrenie znižuje riziko neúmyselného spustenia mechanického nástroja.
- **Nečinné mechanické nástroje odložte mimo dosahu detí a nedovoľte používať mechanický nástroj osobám neoboznámeným s mechanickým nástrojom alebo týmito pokynmi.** Mechanické nástroje sú v rukách netrénovaných osôb nebezpečné.
- **Na mechanických nástrojoch vykonávajte údržbu.** Skontrolujte, či pohyblivé diely nie sú nesprávne nastavené alebo zablokované, či niektoré diely nie sú poškodené, ako aj akýkoľvek iný stav, ktorý by mohol ovplyvniť činnosť mechanického nástroja. V prípade poškodenia nechajte mechanický nástroj pre použitím opraviť. Veľké množstvo nehôd je spôsobených nedostatočnou údržbou mechanických nástrojov.
- **Rezacie nástroje udržiavajte ostré a v čistote.** Správne udržiavané rezacie nástroje s ostrými ostriami sa menej pravdepodobne zaseknú a ľahšie sa ovládajú.
- **Mechanický nástroj, príslušenstvo a vrtáky a pod., používajte v súlade s týmto návodom, pričom berte do úvahy pracovné podmienky a úlohu, ktorú chcete vykonať.** Pri používaní mechanického nástroja na iné ako určené činnosti môže dôjsť k nebezpečným situáciám.

POUŽÍVANIE AKUMULÁTORA A STAROSTLIVOSŤ OŇ

- **Nabíjajte len s použitím nabíjačky špecifikovanej výrobcom.** Nabíjačka, ktorá je vhodná pre jeden typ jednotky akumulátora, môže pri použití s inou jednotkou akumulátora spôsobiť riziko požiaru.
- **Používajte len mechanické nástroje so špecificky určenými jednotkami akumulátorov.** Pri použití iných jednotiek akumulátora vzniká riziko poranenia a požiaru.
- **Keď sa jednotka akumulátora nepoužíva, nedávajte ju do blízkosti iných kovových objektov, ako sú papierové sponky, mince, kľúče, klinec, skrutky či iné malé kovové predmety, ktoré by mohli skratovať svorky.** Pri skratovaní svoriek akumulátora môže dôjsť k popáleninám alebo požiaru.
- **Za nevhodných podmienok, keď by z batérie vytekala kvapalina, predchádzajte kontaktu s ňou.** Pri náhodnom kontakte opláchnite vodou. Ak tekutina zasiahne oči, dodatočne vyhľadajte lekársku pomoc. Tekutina vytečená z akumulátora môže spôsobiť podráždenie alebo popáleniny.

OPRAVY

- **Servis mechanického nástroja prenechajte kvalifikovanému servisnému pracovníkovi s použitím len identických náhradných dielov.** Takto zachováte bezpečnosť mechanického nástroja.

TYČOVÝ STRIHAČ ŽIVÉHO PLOTU – BEZPEČNOSTNÉ VÝSTRAHY

- **Telo udržiavajte mimo dosahu rezného ostria.** Chvilka nepozornosti počas obsluhy produktu môže spôsobiť závažné osobné poranenie.
- **Tyčový strihač živého plotu prenášajte za rukoväť, pričom rezné ostrie je zastavené. Pre prenášani alebo skladovaní tyčového strihača plotu vždy nasadte kryt strihacieho zariadenia.** Pri správnom zaobchádzaní s tyčovým strihačom živého plotu sa znižuje pravdepodobnosť osobného poranenia rezným ostrím.
- **Elektrický nástroj držte len za izolovaný úchopný povrch, lebo rezné ostrie sa môže dostať do kontaktu so skrytými vodičmi.** Pri kontakte rezných ostrí so „živým“ vodičom by mohli byť obnažené kovové diely pod prúdom a spôsobiť obsluhujúcemu úder elektrickým prúdom.

AKUMULÁTOR – BEZPEČNOSTNÉ VÝSTRAHY

- **Pred každým použitím vyčistite pracovisko.** Odstráňte všetky predmety ako káble, svetlá, drôty alebo vlákna, ktoré by sa mohli vymrštiť alebo zamotať do rezného zariadenia.
- **Pozor na vymršťované predmety – všetky okolostojace osoby, deti a domáce zvieratá musia stať minimálne 15 m od pracoviska.**
- **Pravidelne kontrolujte, či za vami alebo v krovine alebo kríku, ktorý chcete strihať, nie sú žiadne osoby alebo zvieratá.**
- **Nepracujte pri nedostatočnom osvetlení.** Obsluhujúci musí mať jasný výhľad na pracovný priestor, aby mohol identifikovať potenciálne nebezpečenstvo.
- **Pred každým použitím nástroj skontrolujte.** Skontrolujte, či nie sú uvoľnené napínadlá a či sú všetky kryty a rukoväte správne a bezpečne nasadené. Pred použitím vymeňte všetky poškodené diely.
- **Zariadenie nikdy žiadnym spôsobom neupravujte.**
- **Nedovoľte tento produkt používať deťom a nezaškoleným osobám.**
- **Pri práci s týmito zariadením používajte chrániče zraku a sluchu.** Pri práci v priestore, kde existuje riziko pádu predmetov, používajte ochranu hlavy.
- **Noste hrubé a dlhé nohavice, topánky a rukavice.** Nenoste voľné pohodlné oblečenie, krátke nohavice, bižutériu žiadneho druhu, ani nepracujte bosí.
- **Dlhé vlasy zaisťte, aby boli nad úrovňou pliec a nedošlo tak k ich zamotaniu do pohyblivých dielov.**
- **Nepoužívajte tento produkt, keď ste unavení, chorí alebo pod vplyvom, alkoholu, drog alebo liekov.**
- **Udržujte bezpečný postoj a rovnováhu.** Nepreceňujte sa. Pri siahaní príliš ďaleko môžete stratiť rovnováhu a utrpieť závažné poranenie.
- **Pred spustením nástroja dbajte na to, aby rezné ostria neboli s ničím v kontakte.**
- **Pred spustením skontrolujte, či je nástroj správne umiestnený v určenej pracovnej polohe.**
- **Pri práci s tyčovým strihačom živého plotu ho vždy**





držte pevne za obe rukoväte a dbajte na to, aby bola každá pracovná poloha bezpečná a zaistená. Výrobca neodporúča používať schodíky alebo rebríky.

- Použite postroj, pokiaľ je pribalený k tyčovému strihaču živého plotu. Pomáha tiež niesť hmotnosť nástroja pri práci a pri presúvaní medzi pozíciami pri orezávaní. Dôkladne upravte postroj tak, aby vám padol pohodlne.
- Oboznámte sa s činnosťou mechanizmu rýchleho uvoľnenia a vyskúšajte si jeho používanie predtým, ako začnete používať zariadenie. Jeho správne použitie môže zabrániť vážnemu poraneniu v prípade ohrozenia. Nikdy nenoste na postroji ďalší odev ani nijako inak neobmedzujte prístup k mechanizmu rýchleho uvoľnenia.
- Na vašu ochranu pred usmrtením elektrickým prúdom nepracujte do vzdialenosti 10 m od visutých elektrických vedení.
- Nikdy nepoužívajte tyčový strihač živého plotu v blízkosti oplotenia, stĺpov, budov či iných nehnuteľných objektov.
- Ostria sú ostré. Pri manipulácii s jednotkou ostria používajte protišmykové silné ochranné rukavice. Nevkladajte ruky alebo prsty medzi ostria ani do žiadnej inej pozície, kde by sa mohli zovrieť alebo porezať. Nikdy sa nedotýkajte ostria alebo servisnej jednotky, kým nevyberiete akumulátorovú jednotku.
- Vypnite a vyberte jednotku akumulátora pred:
 - nastavenie pracovnej pozície rezného zariadenia
 - čistenie alebo odstránenie upchatia
 - ponechanie produktu bez dozoru
 - kontrola, údržba alebo práca na produkte.
- Netlačte strihač živého plotu cez husté kroviny prisilno. To môže spôsobiť zovretie ostrí a ich spomalenie. Ak ostria spomalila, znížte tempo.
- Nepokúšajte sa strihať kmene alebo vetvy hrubšie ako 18 mm alebo také, ktoré sú zjavne príliš veľké, aby vošli do rezného ostria. Na rezanie veľkých kmeňov použite ručnú pílu bez pohonu alebo odvetvovacu pílu.
- Použitie ochrany sluchu znižuje schopnosť počuť zvukové výstrahy (výkriky alebo alarmy). Operátor musí dávať zvlášť pozor, čo sa deje v pracovnej oblasti.
- Nepracujte s tyčovým strihačom živého plotu, ktorý má poškodené alebo nadmerne opotrebené ostria.
- Vždy sa oboznámte s okolím a dávajte pozor na možné riziká, ktoré si nemusíte všimnúť kvôli hľuku zo stroja.

VAROVANIE

Ak zariadenie spadne, utrpí silný náraz alebo začne neštandardne vibrovať, okamžite zariadenie zastavte s skontrolovaním, či nedošlo k poškodeniu alebo zistíte príčinu vibrácií. Akékoľvek poškodenie sa musí náležite opraviť alebo vymeniť v autorizovanom servisnom centre.

VAROVANIE

Pred každým použitím a v pravidelných intervaloch skontrolujte, či spojky hriadeľa na predĺžovacej tyči a nástroji sú bezpečne upevnené.

PREPRAVA A SKLADOVANIE

- Pred uskladnením alebo prepravou zastavte produkt, vyberte akumulátor a nechajte oboje vychladnúť.
- Odstráňte zo zariadenia všetky cudzie materiály. Odložte ho na suché a dobre vetrané miesto, na ktoré nemajú prístup deti. Z bezpečnostných dôvodov skladujte akumulátor oddelene od produktu. Nádrie neuskladňujte v blízkosti žieravých látok, ako napríklad v blízkosti záhradníckych chemických prípravkov alebo solí na zimný posyp komunikácií. Neskladujte v exteriéri.
- Pred skladovaním zariadenia alebo počas prepravy zakryte ostrie ochranným krytom ostria.
- Pri preprave zaistite produkt pred pohybom alebo pádom, aby nedošlo k poraneniu osôb alebo poškodeniu produktu.

ÚDRŽBA

VAROVANIE

Používajte len originálne náhradné diely, príslušenstvo a nástavce výrobcu. V opačnom prípade môže dôjsť k možnému poraneniu, nedostatočnému výkonu a strate platnosti záruky.

VAROVANIE

Údržba vyžaduje extrémnu starostlivosť a znalosti, a musí byť prevádzaná výhradne v autorizovanom servise. Z dôvodu servisu vám odporúčame vrátiť výrobok do najbližšieho autorizovaného servisného centra na opravu. Ak výrobok opravujete, používajte iba rovnaké originálne náhradné diely.

VAROVANIE

Ostria sú ostré. Aby nedošlo k poraneniu osôb, buďte mimoriadne opatrní pri čistení, mazaní a montáži alebo demontáži ochranného krytu ostria.

- Pred vykonaním akejkoľvek údržby alebo čistením vyberte akumulátor.
- Môžete vykonávať úpravy a opravy popísané v tejto príručke. Pri ostatných opravách sa obráťte na autorizovaného servisného zástupcu.
- Po každom použití vyčistite telo a rukoväť produktu suchou tkaninou.
- Po každom použití vyčistite sutinu z ostrí pomocou tvrdej kefy a predtým, ako znova namontujete ochranný kryt ostria, dôkladne naneste prostriedok proti hrdzaveniu. Používajte prostriedok proti hrdzaveniu a lubrikačný sprej. Pri nanášaní rovnomernej vrstvy maziva dávajte pozor, aby nedošlo ku kontaktu s ostrím. Informácie o vhodnom sprejovom produkte dostanete v miestnom autorizovanom servisnom centre.
- Pomocou vyššie uvedenej metódy môžete v prípade potreby pred použitím ostria jemne namazať.
- Skontrolujte všetky skrutky, matice v častých intervaloch



či sú riadne utiahnuté, aby sa zaistila bezpečná prevádzka produktu. Akýkoľvek poškodený diel sa musí náležite opraviť alebo vymeniť v autorizovanom servisnom centre.

ZVYŠKOVÉ RIZIKÁ

Aj keď sa nástroj používa podľa predpisu, nie je možné eliminovať určité zvyškové rizikové faktory. Pri použití vznikajú nasledujúce riziká a obsluhujúca osoba musí venovať zvláštnu pozornosť, aby nedošlo k nasledovnému:

- Ostria nie je možné počas rezania chrániť. Pri kontakte s ostriami môže dôjsť k závažnému poraneniu. Nedávajte ostrie do blízkosti vás a iných osôb. Vždy, keď práve nerezáte, zakryte ho ochranným krytom ostria.
- Zranenie spôsobené vibráciami. Vždy používajte vhodný nástroj pre danú úlohu, používajte určené rukoväte a obmedzte pracovný čas a mieru rizika.
- Vystavovanie hluku môže spôsobiť poranenie sluchu. Používajte ochranu sluchu a obmedzte expozíciu.

OBMEDZENIE RIZIKA

Boli hlásené prípady, kedy vibrácie z ručných nástrojov u niektorých osôb prispeli k stavu nazývanému Raynaudov syndróm. K symptómom patria: trpnutie, znecitlivenie a blednutie prstov, zvyčajne zjavné po vystavení zime. Je známe, že k vývoju týchto symptómov prispievajú: dedičné faktory, vystavovanie zime a vlhkosti, diéta, fajčenie a pracovné návyky. Opatrenia, ktoré môže vykonať obsluhujúca osoba na možné zníženie účinkov vibrácií:

- V studenom počasí udržiavajte svoje telo v teple. Pri práci so zariadením noste rukavice, aby ste mali ruky a zápästia v teple. Boli hlásené prípady, kedy hlavným faktorom prispievajúcim k Raynaudovmu syndrómu bolo studené počasie.
- Po každom určitom časovom úseku prevádzky cvičte, aby ste zlepšili krvný obeh.
- Počas práce si doprajte časté prestávky. Obmedzte počet vystavení za deň.

Ak zistíte ktorýkoľvek zo symptómov tohto stavu, okamžite prerušte používanie zariadenia, navštívte svojho lekára a povedzte mu o symptómoch.

VAROVANIE

Pri dlhodobom alebo zvýšenom používaní môže dôjsť k zraneniam. Pri používaní nástroja príliš dlhé obdobia si vždy doprajte pravidelné prestávky.

OBOZNÁMTE SA S VAŠIM PRODUKTOM

Pozrite stranu 125.

1. Ostrie
2. Otočné tlačidlo
3. Predlžovacia tyč
4. Spojka hriadeľa
5. Vešiak postroja
6. Predné držadlo
7. Západka plynovej páčky

8. On/Off spínač
9. Zmeták úlomkov HedgeSweep™
10. Puzdro
11. Postroj
12. Batéria
13. Tlačidlo západky akumulátora
14. Nabíjačka

SYMBOLY NA PRODUKTE



Výstražná značka



Pred použitím produktu si s porozumením prečítajte všetky pokyny a dodržiavajte výstražné a bezpečnostné upozornenia.



Používajte chrániče zraku, sluchu a hlavy.



Pri používaní tohto produktu používajte nešmyklavú obuv.



Používajte protišmykové odolné rukavice.



Nevystavujte daždu ani nepoužívajte vo vlhkom prostredí.



Ťahať: Výložka rýchleho uvoľnenia



Ostré rezacie ostria. Aby nedošlo k závažnému poraneniu, nedotýkajte sa rezných ostří.



Riziko úrazu elektrickým prúdom. Nechodte bližšie ako 10 m od elektrického vedenia nad hlavou.



Pozor na vymrštené alebo odletujúce objekty. Všetky okolostojace osoby (najmä deti a domáce zvieratá) musia stáť minimálne 15 m od pracoviska.



Opotrebované elektrické zariadenia by ste nemali odhadzovať do domového odpadu. Prosíme o recykláciu ak je možné. Kontaktujte miestne úrady, alebo predajcu pre viac informácií ohľadom ekologického spracovania.



Vyhovuje všetkým regulačným normám v krajine EÚ, v ktorej bol výrobok zakúpený.



Euroázijská značka zhody



Ukrajinské označenie zhody

- EN
- FR
- DE
- ES
- IT
- NL
- PT
- DA
- SV
- FI
- NO
- RU
- PL
- CS
- HU
- RO
- LV
- LT
- ET
- HR
- SL
- SK**
- BG
- UK



Garantovaná hladina akustického výkonu je 95 dB.

IKONY V TOMTO NÁVODE



Diely alebo príslušenstvo predávané samostatne



POZNÁMKA



Varovanie!

Nasledujúce značky a významy vysvetľujú úroveň rizika spojeným s výrobkom.

NEBEZPEČENSTVO

Označuje bezprostredne nebezpečnú situáciu, ktorá môže vyústiť v smrť, alebo vážne zranenie.

VAROVANIE

Označuje potenciálne nebezpečnú situáciu, ktorá môže vyústiť v smrť, alebo vážne zranenie.

VÝSTRAHA

Označuje potenciálne nebezpečnú situáciu, ktorá môže vyústiť v ľahké, alebo stredne ťažké zranenie.

VÝSTRAHA

Bez symbolu bezpečnostného alarmu

Označuje situáciu, ktorá môže zapríčiniť poškodenie majetku.



Безопасността, производителността и надеждността са аспектите, на които е отделен най-голям приоритет при проектирането на вашия безжичен хросторез с удължител.

ПРЕДНАЗНАЧЕНИЕ

Продуктът е предназначен за работа само на открито и от един оператор, който е стъпил стабилно на здрава повърхност. От съображения за безопасност този продукт трябва по всяко време да бъде управляван и контролиран стабилно с две ръце.

Този продукт е предназначен за домашна и битова употреба. Той е предназначен за рязане и подрязване на жив плет, храсти и подобни растения. Продуктът е предназначен да бъде удължаван до максимална дължина от 2.93 метра.

Не надвишавайте тази работна дължина.

Трябва да се използва при сухи условия с добра осветеност.

Той НЕ е предназначен за рязане на трева, дървета или клони. Той не трябва да се използва за каквато и да е друга цел освен за подрязване на жив плет.

ОБЩИ ПРЕДУПРЕЖДЕНИЯ ЗА БЕЗОПАСНОСТ

⚠ ПРЕДУПРЕЖДЕНИЕ

Прочетете всички предупреждения относно безопасността и всички инструкции. Неспазването на предупрежденията и инструкциите може да доведе до токов удар, пожар и/или сериозни наранявания.

Съхранявайте всички предупреждения и инструкции за бъдещи справки.

Терминът "електрически инструмент" в предупрежденията се отнася за вашия инструмент - със захранване от електрическата мрежа (с кабел) или на батерия (безжичен).

БЕЗОПАСНОСТ НА РАБОТНАТА ЗОНА

- **Поддържайте работното пространство чисто и добре осветено.** Безпорядъкът или тъмнината в работното пространство са предпоставка за злополуки.
- **Не използвайте електрически инструменти в експлозивни среди, например в присъствието на запалителни течности, газове или прах.** По време на работа електрическите инструменти произвеждат искри, които могат да възпламенят прах или пари.
- **Дръжте децата и страничните наблюдатели далече, докато боравите с електрически инструмент.** Ако вниманието ви бъде отклонено, може да загубите контрола над електрическия инструмент.

ЕЛЕКТРИЧЕСКА БЕЗОПАСНОСТ

- **Щепселът на електрическия инструмент трябва да е съвместим с контакта. В никакъв случай не насяйте изменения в констукцията на щепсела.**

Когато работите със занулени електрически инструменти, не използвайте адаптери за щепсела. Използването на оригиналните щепсели и контакти намалява риска от токов удар.

- **Избягвайте допир със заземен повърхности, като тръби, радиатори, печки и хладилници.** Когато тялото ви е заземено, рискът от възникване на токов удар е по-голям.
- **Не използвайте продукта на дъжд или влажни условия.** Проникването на вода в електрическия инструмент повишава опасността от токов удар.
- **Не насилвайте захранващия кабел. Никога не носете, не изключвайте и не дърпайте електрическия инструмент за кабела.** Предпазвайте кабела от нагряване, омасляване, допир до остри ръбове или до подвижни звена на машини. Повредените или усукани кабели увеличават риска от токов удар.
- **Когато работите с електрически инструмент на открито, използвайте само удължителни кабели, предназначени за работа на открито.** Използването на удължител, предназначен за работа на открито, намалява риска токов удар.
- **Ако не можете да избегнете използването на електрически инструмент на влажно място, използвайте RCD (прекъсвач със защитно изключване).** Използването на RCD намалява опасността от електрически удар.

ЛИЧНА БЕЗОПАСНОСТ

- **Бъдете бдителни, внимавайте какво правите и проявявайте благоразумие, когато боравите с електрически инструмент.** Не използвайте електрическия инструмент, когато сте уморени или под влиянието на наркотични вещества, алкохол или лекарства. Миг невнимание, докато боравите с електрически инструмент, е достатъчен за получаването на сериозни наранявания.
- **Използвайте лична защитна екипировка. Винаги носете защитни очила.** Защитната екипировка, като маска против прах, пригодени против плъзгане защитни обувки, твърда шапка или антифони, използвани за подходящите условия, ще намали опасността от физически наранявания.
- **Не допускайте нежелано стартиране.** Преди да вдигате или носите инструмента и преди да го включвате в електрическата мрежа и/или батерия, винаги проверявайте дали превключвателят е на позиция OFF (изкл). Носенето на инструмента с пръст върху превключвателя или включването му към електричеството, докато превключвателят му е на включен, е предпоставка за злополуки.
- **Махнете всички гаечни или френски ключове за настройка преди да включите инструмента.** Помощен инструмент, забравен на въртящ се елемент, може да доведе до физически наранявания.
- **Не се протягайте, за да работите на трудно достижими места.** Винаги стъпвайте стабилно по време на работа и пазете равновесие.





Това дава възможност за по-добър контрол над електрическия инструмент в неочаквани ситуации.

- **Обличайте се целесъобразно. Не носете широки дрехи или украшения. Дръжте косата, дрехите и ръкавиците си на безопасно разстояние от подвижните елементи.** Широките дрехи, украшенията, дългите коси могат да бъдат захванати и увлечени от движещи се елементи.
- **Ако устройствата са оборудвани със съоръжение за издърпване и събиране на прах, уверете се, че е то свързано и функционира правилно.** Използването на устройства за събиране на прах ще намали рисковете, свързани с работа в прашни условия.

ИЗПОЛЗВАНЕ И ОБСЛУЖВАНЕ НА ЕЛЕКТРИЧЕСКИЯ ИНСТРУМЕНТ

- **Не насилвайте продукта.** Използвайте електрическия инструмент, съобразно неговото предназначение. Правилно подобреният електрически инструмент ще свърши работата по-добре и по-безопасно в зададения от производителя диапазон на натоварване.
- **Не използвайте електрически инструменти, чиито пусков прекъсвач е повреден.** Електрически инструмент, който не може да бъде контролиран посредством превключвател, е опасен и трябва да бъде ремонтиран.
- **Изключете щепсела от източника на захранване и/или батерията от електрическия инструмент, преди да извършвате каквито и да е корекции, да смените принадлежностите и преди съхраняване на електрическите инструменти** Тази мярка премахва опасността от задействане на електрическия инструмент по невнимание.
- **Съхранявайте незаети електрически инструменти на недостъпни за деца места и не позволявайте на лица, незапознати с инструмента или с тези указания, да боравят с него.** Когато са в ръцете на неопитни потребители, електрическите инструменти могат да бъдат изключително опасни.
- **Поддържайте електрическите инструменти в изправност. Проверявайте за неизправности или заклиняване в подвижните елементи, за счупени части или други обстоятелства, които могат да влошат работата на електрическия инструмент. Преди да използвате електрическия инструмент, се погрижете повредите да бъдат отстранени.** Много от трудовите злополуки се дължат на недобре поддържани електрически инструменти.
- **Поддържайте режещите инструменти винаги добре заточени и чисти.** Инструменти, за които е полагана правилна грижа и са с добре наточени режещи елементи, се управляват по-лесно и вероятността да заядат е по-малка.
- **Използвайте електрическите инструменти, принадлежностите и режещите и др. части съобразно тези указания, като се съобразявате с работните условия и с работата, която ще**

извършвате. Използването на електрически инструменти за различни от предвидените от производителя приложения повишава опасността от възникване на трудови злополуки.

ИЗПОЛЗВАНЕ И ОБСЛУЖВАНЕ НА ИНСТРУМЕНТА С БАТЕРИЯ

- **Презареждайте единствено със зарядното устройство, посочено от производителя.** Зарядно устройство, подходящо за зареждане на един вид батерии, може да предизвика риск от пожар, ако бъде използвано за други батерии.
- **Използвайте електрически инструменти с батерии единствено със специално предназначение за тях батерии.** Използването на всякакви други батерии може да създаде риск от нараняване и пожар.
- **Когато батерията не се използва, съхранявайте я далеч от други метални обекти, като например кламери, монети, ключове, гвоздеи, гайки или други малки метални обекти, които могат да направят връзка между клемите.** Късото съединение от клемите може да доведе до изгаряния или пожар.
- **При неправилно използване батерията може да отдели течност; избягвайте контакт. Ако случайно настъпи контакт, промийте с вода. Ако течността влезе в контакт с очите, потърсете допълнителна медицинска помощ.** Отделената от батерията течност може да причини възпаление или изгаряния.

СЕРВИЗНО ОБСЛУЖВАНЕ

- **Ремонтът на електрическите инструменти трябва да се извършва само от квалифицирани специалисти и само с използването на оригинални резервни части.** По този начин се гарантира поддържането на безопасност при работа с електрическия инструмент.

ПРЕДУПРЕЖДЕНИЯ ЗА БЕЗОПАСНА РАБОТА С ХРАСТОРЕЗ С УДЪЛЖИТЕЛ

- **Дръжте режещия механизъм далеч от тялото си.** Миг невнимание по време на работа с продукта може да предизвика сериозни физически наранявания.
- **Носете храстореза за дръжката и при спряло движението си острие.** При транспортиране или съхранение на храстореза винаги поставяйте предпазителя върху режещото устройство. Правилната работа с храстореза ще намали риска от наранявания, причинени от режещите остриета.
- **Дръжте електрическия инструмент само за изолираните повърхности за хващане, тъй като острието може да влезе в контакт със скрити кабели.** Ако остриетата влязат в контакт с открити жици, може да протече ток по металните части на електрическия инструмент и операторът да бъде подложен на токов удар.





ДОПЪЛНИТЕЛНИ ПРЕДУПРЕЖДЕНИЯ ЗА БЕЗОПАСНОСТ

- Винаги почиствайте работното пространство, преди да използвате уреда. Отстранете всички предмети като кабели, лампи, жици или върви, които могат да отхвърчат или да се заплетат в режещия механизъм.
- Внимавайте за отхвъркнали предмети; дръжте всички странични наблюдатели, деца и домашни животни на разстояние поне 15 метра от работната зона.
- Винаги проверявайте за хора и животни зад или в плета/храста, който възнамерявате да режете.
- Не използвайте тази машина при слабо осветление. Операторът трябва да има чиста видимост върху работното пространство, за да идентифицира потенциални опасности.
- Преди всяка употреба проверявайте машината за неизправности. Проверете за разхлабени свързки и се уверете, че всички предпазители и ръкохватки са стабилно прикрепени. Заменяйте повредените части преди употреба.
- Не модифицирайте машината по никакъв начин.
- Не позволявайте на деца или необучени лица да използват този продукт.
- Носете пълна защитна екипировка за очите и слуха ви, когато боравите с продукта. Ако работите в зона, където съществува риск от падащи предмети, трябва да носите каска.
- Носете здрави дълги панталони, ботуши и ръкавици. Не носете широки дрехи, къси панталони или бижута и не използвайте машината, ако не сте с обувки.
- Дългата коса трябва да бъде прибрана на ниво над раменете, за да се избегне заплитането ѝ в движещите се части.
- Не използвайте тази машина, ако сте уморени, болни или под влиянието на алкохол, наркотици или лекарства.
- Заемайте стабилна позиция и пазете баланс. Не се протягайте, за да работите на трудно достижими места. Прекомерното протягане може да доведе до загуба на равновесие, а това е предпоставка за сериозно нараняване.
- Преди да стартирате машината, се уверете, че режещите остриета няма да влязат в контакт с нищо наоколо.
- Уверете се, че инструментът е правилно разположен в предназначения работна позиция, преди да стартирате инструмента.
- При работа с хростореза винаги дръжте уреда здраво с две ръце и заемайте стабилна и безопасна позиция за работа. Производителят не препоръчва използването на стъпала или стълби по време на работа.
- Използвайте презрамката, ако към вашия хросторез е доставена такава. Това ще ви помогне също да поддържате тежестта на продукта при работа и докато се предвижвате между различни позиции на

рязане. Внимателно регулирайте презрамката, така че да ви е удобна за работа.

- Запознайте се с механизма за бързо освобождаване и упражнявайте използването му, преди да започнете да работите с машината. Правилното използване на този механизъм може да предотврати сериозно нараняване при възникване на извънредна ситуация. Никога не носете допълнително облекло над ремъка за закачане, защото така се блокира достъпът до механизма за бързо освобождаване.
- За да се предпазите от токов удар, не работете с машината на по-малко от 10 метра от надземни електрически кабели.
- Никога не използвайте хростореза в близост до огради, стълбове, сгради или други неподвижни обекти.
- Остриетата са много остри. Докато сглобявате режещия механизъм, носете здрави, нелъзгащи се защитни ръкавици. Не поставяйте ръката или прстите си между остриетата или в позиция, в която могат да бъдат прещипани или порязани. Никога не докосвайте острието и не извършвайте дейности по поддръжка, ако не сте свалили акумулаторната батерия.
- Разкачвайте и сваляйте акумулаторната батерия, преди да:
 - настройване на работната позиция на режещото устройство
 - почистване или отстраняване на препятствия
 - оставяне на продукта без надзор
 - проверка, поддръжка или работа по продукта.
- Не насилвайте хростореза през прекалено гъст храсталак. Това може да причини задръстване в остриетата и ги забави. Ако остриетата се забавят, намалете темпото.
- Не режете стръкове и клонки, които са по-дебели от 18 мм или са очевидно прекалено големи, за да влязат между зъбите на острието. Използвайте обикновен ръчен трион или трион за кастрене, за да подрязвате дебели стъбла.
- При използване на антифони ще се намали способността да чувате предупреждения (подвиквания или аларми). Операторът трябва да е особено внимателен за това, което се случва в работната зона.
- Не работете с хростореза, ако остриетата му са повредени или много износени.
- Винаги трябва да сте наясно с околната обстановка и да внимавате за възможни опасности, които може да не чуете заради шума от машината.

▲ ПРЕДУПРЕЖДЕНИЕ

Ако машината бъде изпусната, претърпи тежък удар или започне да вибрира необичайно, незабавно я спрете, за да проверите за потенциална повреда или да установите източника на вибрациите. Поправките и замените на части при повреда трябва да се извършват от оторизиран сервизен център.



⚠ ПРЕДУПРЕЖДЕНИЕ

Периодично и преди всяка употреба проверявайте дали са здраво затегнати всички снадки на удължителя и всички свързки на пръта и инструмента.

ТРАНСПОРТИРАНЕ И СЪХРАНЕНИЕ

- Спрете продукта, свалете батерията и изчакайте и двете да се охладят, преди да транспортирате уреда или да го приберете за съхранение.
- Почистете продукта от всички чужди частици. Съхранявайте я на хладно, сухо и добре проветрявано място, което е недостъпно за деца. За допълнителна сигурност съхранявайте батерията отделно от продукта. Не го оставяйте в близост до корозивни материали като градински химикали или соли за размразяване. Не съхранявайте на открито.
- Съхранявайте и транспортирайте уреда само с монтиран предпазител на острието.
- Когато транспортирате продукта, го обезопасете така, че да не може да се движи или да падне, защото това може да доведе до евентуални наранявания на хора или повреди по продукта.

ПОДДРЪЖКА

⚠ ПРЕДУПРЕЖДЕНИЕ

Използвайте само оригинални резервни части, аксесоари и приставки от производителя. В противен случай може да се влоши работата на инструмента или да получите тежки контузии, а гаранцията ви ще стане невалидна.

⚠ ПРЕДУПРЕЖДЕНИЕ

Сервизното обслужване изисква изключително внимание и специфични познания и следва да бъде извършвано само от квалифициран техник. За сервизно обслужване и поправка препоръчваме да занесете продукта до най-близкия упълномощен цен се рвизен цен тър. При ремонт използвайте само идентични резервни части.

⚠ ПРЕДУПРЕЖДЕНИЕ

Остриетата са много остри. За да се предпазите от нараняване, бъдете особено внимателни, когато почиствате, смазвате, монтирате или сваляте протектора на острието.

- Сваляйте батерията, когато извършвате дейности по поддръжка или почистване.
- Можете да правите настройки и поправки, описани в това ръководство на потребителя. За други поправки се свържете с агент на упълномощения сервиз.
- След всяко използване почиствайте корпуса и дръжките на уреда с мека и суха кърпа.

- След всяко използване почиствайте остриетата от отломки с твърда четка, след което смазвайте с препарат против ръжда, преди да монтирате отново протектора на острието. Използвайте препоръчаните средства против ръжда и смазочни спрейове. Избягвайте евентуален контакт с острието, докато пръскате или размазвате смазочното масло. За повече информация относно подходящ смазочен спрей се обърнете към вашия местен оторизиран сервизен център.
- Преди да използвате уреда, можете да смажете леко остриетата, като използвате описания по-горе метод.
- Периодично проверявайте дали всички гайки, болтове и винтове са правилно затегнати, за да сте сигурни, че продуктът е в изправност. Всяка повредена част трябва да бъде поправена или заменена от упълномощен сервизен център.

НЕПРЕДВИДЕНИ РИСКОВЕ.

Дори когато машината се използва по предназначение, е невъзможно напълно да се отстранят определени остатъчни рискови фактори. Рисковете, описани по-долу, може да възникнат по време на употреба и операторът трябва да внимава за избягването на следното:

- Няма как остриетата да бъдат обезопасени по време на рязане. Контактът с остриетата може да доведе до сериозно нараняване. Дръжте острието далече от себе си и от странични наблюдатели. Покривайте го с предпазителя за острието, когато не режете.
- Нараняване, причинено от вибрация. Винаги използвайте подходящия инструмент за съответната дейност и предназначения за целта ръкохватки, като ограничавате времето на работа и излагането на рискове.
- Излагането на шум може да доведе до увреждане на слуха. Носете антифони и ограничете излагането.

ΜΕΙΩΣΗ ΚΙΝΔΥΝΟΥ

Известно е, че вибрациите, произвеждани от ръчни инструменти може да предизвикат у някои индивиди заболяване, наречено Синдром на Рейнолд (Raynaud's Syndrome). Симптомите може да включват изтръпване, схващане и изbledняване на пръстите, обикновено се забелязват при излагане на студ. Смята се, че наследствените фактори, излагането на студ и влага, диетите, пушенето и някои работни навици допринасят за развитието на тези симптоми. Могат да се вземат някои мерки, които могат да се предприемат от оператора, за да се намалят ефектите от вибрациите:

- Поддържайте телесната температура в студено време. Когато боравите с инструмента, носете ръкавици, за да поддържате ръцете и китките си топли. Според изследвания главният фактор, допринасящ за развитието на Raynaud's Syndrome, е студеното време.
- Правете упражнения за активизиране на кръвообращението след всеки работен цикъл.

- Редовно излизайте в почивка. Ограничете излагането на вибрации на ден.

При поява на някои от симптомите на това заболяване, незабавно прекратете употребата на инструмента и посетете лекар.

⚠ ПРЕДУПРЕЖДЕНИЕ

Продължителното използване на инструмента може да доведе до наранявания или влошаване. При използване на инструмента за продължителни периоди от време правете чести почивки.

ОПЗНАЙТЕ ВАШИЯ ПРОДУКТ

Вж. страница 125.

1. Острие
2. Въртящ се бутон
3. Удължител
4. Снадка
5. Презрамка за носене
6. Предна ръкохватка
7. Бутон за блокиране на пусковия лост
8. Спусъка за включване/изключване
9. Метачка с четки за отпадъци HedgeSweep™
10. Калъф
11. Презрамка
12. Батерия
13. Бутон за фиксатора на батерията
14. Зарядно устройство

СИМВОЛИ НА ПРОДУКТА



Предупреждение относно безопасността



Прочетете и осмислете всички указания, преди да започнете работа с продукта; спазвайте всички предупреждения и инструкции за безопасност.



Носете защитни средства за очите, слуха и главата.



Носете непързалици се защитни обувки, когато използвате продукта.



Носете здрави ръкавици, пригодени против плъзгане.



Не излагайте на дъжд и на влажни условия.



Дърпане: Щифт за бързо освобождаване



Режещите части са много остри. За да избегнете сериозно физическо нараняване, не докосвайте режещите остриета.



Опасност от електричество. Дръжте на поне 10 m разстояние от наземни кабели.



Внимавайте за изхвърлени или летящи обекти. Дръжте всички странични наблюдатели (особено деца и домашни любимци) на поне 15m разстояние от работната зона.



Електрическите уреди не трябва да се изхвърлят заедно с битовите отпадъци. Рециклирайте, където има възможност. Обърнете се за съвет по рециклирането към местните власти или разпространителите.



Тази машина е в съответствие с нормативната уредба на държавата от ЕС, където е била закупена.



EurAsian знак за съответствие



Украински знак за съответствие



Гарантираното ниво на шум е 95 dB.

ИКОНИ В ТОВА РЪКОВОДСТВО



Частите или принадлежностите се продават отделно



ЗАБЕЛЕЖКА



Предупреждение!

Следните сигнални думи и значенията им са предназначени да обяснят нивата на опасност, свързани с този продукт.

⚠ ОПАСНОСТ

Указва неминуемо опасна ситуация, която ако не бъде избегната, ще доведе до сериозни наранявания или смърт.

⚠ ПРЕДУПРЕЖДЕНИЕ

Указва потенциално опасна ситуация, която ако не бъде избегната, може да доведе до сериозни наранявания или смърт.

⚠ ВНИМАНИЕ

Указва потенциално опасна ситуация, която ако не бъде избегната, може да доведе до дребни или средни наранявания.

ВНИМАНИЕ

Без предупредителен символ за безопасност

Указва ситуация, която може да доведе до имуществени щети.



Безпеці, продуктивності і надійності наданий вищий пріоритет в дизайні вашої бездротова полюс газонокосарка.

ПРИЗНАЧЕННЯ

Продукт призначений тільки для використання на відкритому повітрі єдиним оператором, який стоїть на твердій цільній землі. З міркувань безпеки продукт повинен належним чином контролюватися за допомогою двох рук.

Продукт призначений для домашнього або місцевого використання. Він призначений для різання та обрізки живоплотів, чагарників та подібної рослинності. Продукт призначений для продовження до максимальною довжини у 2,93 м. Не перевищуйте цю робочу довжину. Він повинен бути використаний у сухих, добре освітлених умовах.

Він не призначений для скошування трави, дерев або гілок. Він не повинен бути використаний для інших цілей, ніж підрізання живоплоту.

ЗАГАЛЬНІ ЗАХОДИ БЕЗПЕКИ

ПОПЕРЕДЖЕННЯ

Прочитайте всі правила безпеки та інструкції. Недотримання попереджень та інструкцій може призвести до ураження електричним струмом, пожежі та / або серйозної травми.

Збережіть всі інструкції і вказівки для майбутнього використання.

Термін "електроінструмент" "в попередженнях відноситься до Вашого мережевого (з кабелем) електроінструменту або з батарейним живленням (бездротового) електроінструменту.

БЕЗПЕКА РОБОЧОГО МІСЦЯ

- Утримуйте робоче місце в чистоті і добре освітленим. Безлад на робочому місці або темні місця спричиняють аварії.
- Не використовуйте електроінструменти у вибухонебезпечній атмосфері, наприклад, у присутності легкозаймистих рідин, газів або пилу. Електричні інструменти створюють іскри, що можуть запалити пил або парі.
- Тримайте дітей та сторонніх осіб подалі під час роботи електроінструментом. Відволікання уваги може призвести до втрати контролю.

ЕЛЕКТРОБЕЗПЕКА

- Вилка живлення електроінструменту повинна відповідати розетці. Ніколи не змінюйте вилку. Не використовуйте ніякі вилки-перехідники з заземленими (замкнутими на землю) електроінструментами. Не змінені вилки та відповідні розетки зменшують ризик ураження електричним струмом.
- Уникайте контакту тіла з заземленими поверхнями, такими як труби, радіатори,

плити та холодильники. Існує підвищений ризик ураження електричним струмом, якщо ваше тіло заземлене.

- Не піддавайте електроінструменти впливу дощу або вологих умов. Вода, що потрапила в електроінструмент збільшує ризик ураження електричним струмом.
- Не зловжуйте шнур. Ніколи не використовуйте шнур живлення для перенесення, переміщення або вилучення вилки з розетки. Тримайте шнур подалі від тепла, масла, гострих кромки або рухомих частин. Пошкоджені або заплутані шнури збільшують ризик ураження електричним струмом.
- При роботі з електроінструментом на вулиці, використовуйте подовжувач, відповідний для використання на відкритому повітрі. Використання кабелю, придатного для використання на відкритому повітрі, знижує ризик ураження електричним струмом.
- При роботі з електроінструментом у вологому середовищі використовуйте залишковий поточний пристрій (ЗПП) захищеного живлення. Використання ЗПП знижує ризик ураження електричним струмом.

ОСОБИСТА БЕЗПЕКА

- Будьте уважні, дивіться, що ви робите, і використовуйте здоровий глузд при роботі з електроприладами. Не використовуйте електроінструмент, якщо Ви втомилися або перебуваєте під впливом наркотиків, алкоголю або ліків. Найменша необережність при роботі з електроінструментом може призвести до серйозних травм.
- Використовуйте персональне захисне обладнання. Завжди надягайте захисні окуляри. Захисне устаткування, наприклад, респіратор, взуття на нековзній підшві, захисний шолом або засоби захисту органів слуху, використовувати в належних умовах, зменшать ризик отримання травми.
- Запобігайте випадкового запуску. Переконайтеся, що вимикач знаходиться у вимкненому положенні перед підключенням до джерела живлення та / або акумуляторної батареї, підніманням або переміщенням інструменту. Не переносьте електроінструмент з пальцем на вимикачі або подачею живлення на інструмент, який має перемикач, щоб запобігти нещасного випадку.
- Перед включенням електроінструменту знімайте регульовальний або гайковий ключ. Гайковий ключ або регульовальний ключ, залишений на обертаємій частині електроінструменту, може призвести до травми.
- Не тягніться. Зберігайте правильну стійку і баланс весь час. Це дозволяє краще контролювати інструмент в несподіваних ситуаціях.
- Одягайтеся правильно. Не носіть вільний одяг або прикраси. Тримайте волосся, одяг і рукавички подалі від рухомих частин. Вільний





одяг, прикраси або довге волосся можуть потрапити в рухомі частини.

- Якщо є пристрої для підключення для збору пилу, переконайтеся, що вони під'єднані і використовуються правильно. Використання пилозбірника знижує небезпеку, пов'язану з запиленістю.

ВИКОРИСТАННЯ ТА ДОГЛЯД ЗА ЕЛЕКТРОІНСТРУМЕНТОМ

- Не перевантажуйте електроінструмент. Використовуйте відповідний для вашої потреби електроінструмент. Електроінструмент виконає роботу краще і безпечніше при швидкості, для якої він був розроблений.
- Не використовуйте електроінструмент, якщо перемикач не включає та вимикає його. Будь-який електроінструмент, який не може управлятися за допомогою перемикача, є небезпечним і має бути відремонтований.
- Відключіть вилку від джерела живлення та / або від акумулятора електроінструменту, перш ніж робити будь-які регулювання, зміну приладдя або при зберіганні електроінструменту. Такі профілактичні заходи безпеки зменшують ризик випадкового включення електроінструмента.
- Зберігайте непрацюючі електроприлади у недоступному для дітей місці і не дозволяйте особам, які не знайомі з інструкціями електричного прилада або з даними інструкціями, працювати з електроприладами. Електроінструменти небезпечні в руках недосвідчених користувачів.
- Обслуговуйте електроінструмент. Перевірте розрегульовані або зв'язані рухомі частини, поломані частини і будь-які інші умови, які можуть вплинути на роботу електроінструменту. Якщо пошкоджений, відремонтуйте електроінструмент перед використанням. Багато нещасних випадків є наслідком поганого догляду за електроінструментом.
- Тримайте ріжучий інструмент гострим і чистим. Добре доглянутий ріжучий інструмент з гострими ріжучими крайками рідше зв'язується і легше контролюється.
- Використовуйте електроінструмент, аксесуари та насадки відповідно до цих інструкцій, беручи до уваги умови роботи і роботу, що повинна бути виконана. Використання електричного інструменту для операцій, які відрізняються від призначених, може призвести до небезпечної ситуації.

ВИКОРИСТАННЯ І ДОГЛЯД ІНСТРУМЕНТУ НА БАТАРЕЙКАХ

- Перезаряджати тільки за допомогою зарядного пристрою, зазначеного виробником. Зарядний пристрій, що підходить для одного типу акумуляторів, може створити ризик загоряння при використанні з іншим акумуляторним блоком.
- Використовуйте електроінструменти тільки з призначеними для них акумуляторами.

Використання будь-яких інших акумуляторів, може створити ризик отримання травми і пожежі.

- Коли акумулятор не використовується, тримайте його подалі від металевих предметів, таких як скріпки, монети, ключі, цвяхи, шурупи, або інші дрібні металеві предмети, які можуть підключити один контакт до іншого. Коротке замикання контактів акумулятора може призвести до опіків або пожежі.
- У важких умовах експлуатації, рідина може бути випущена з батареї; уникайте контакту. При випадковому контакті змийте водою. Якщо рідина потрапила в очі, зверніться за медичною допомогою. Рідина з акумулятора може викликати роздратування або опіки.

СЕРВІС

- Дозволяйте обслуговувати ваш електроінструмент тільки кваліфікованому персоналу, використовуючи тільки ідентичні запасні частини. Це буде гарантувати безпечне обслуговування електроінструменту.

ПОПЕРЕДЖЕННЯ БЕЗПЕКИ ДЛЯ ТРИМЕРА ДЛЯ

- Тримайте всі частини тіла подалі від ріжучих лез. Найменша необережність при роботі з електроінструментом може призвести до серйозних травм.
- Носіть тример для живоплоту на держалі за рукоятку та зупинив ріжучим лезом. При транспортуванні або зберіганні тримера для живоплоту на держалі завжди встановіть кришку ріжучого пристрою. Правильне поводження з тримером для живоплоту на держалі знизить можливість травм від лез різаків.
- Тримайте інструмент за ізольовані поверхні для тримання, тільки тому, що лезо різаків може контактувати з прихованою проводкою. Леза різаків, що контактують з проводом "під напругою" можуть зробити металеві частини електроінструменту "під напругою" і можуть вдарити оператора.

ДОДАТКОВІ ЗАХОДИ БЕЗПЕКИ.

- Очистіть робочу зону перед кожним використанням. Видалити всі об'єкти, такі, як шнури, ліхтарі, дроти, або мотузки, які можуть бути відкинуті або залпугалися в ріжучих засобах.
- Остерігайтеся кинутих об'єктів; Тримайте всіх перехожих, дітей, і домашніх тварин, щонайменше на 15 м від робочої зони.
- Постійно перевіряйте наявність осіб або тварин за або всередині будь-якого живоплоту або куща, що ви збираєтеся обрізати.
- Не використовуйте при поганому освітленні. Оператор потрібне чіткий огляд робочої області, щоб визначити потенційні небезпеки.
- Огляньте виріб перед кожним використанням. Перевірте надійність кріплення, і т.д.

EN
FR
DE
ES
IT
NL
PT
DA
SV
FI
NO
RU
PL
CS
HU
RO
LV
LT
ET
HR
SL
SK
BG
UK





Переконайтеся, що всі захисні огорожі, дефлектори і ручки правильно і надійно закріплені. Замініть всі пошкоджені деталі перед використанням.

- Ніяким чином не змінюйте продукт.
- Не дозволяйте дітям або нетренованим особам використовувати цей пристрій.
- Носіть повний захист очей і слуху під час роботи з продуктом. При роботі в місцях, де є ризик падіння предметів, потрібно носити захист для голови.
- Носіть важкі довгі штани, чоботи і рукавички. Не носіть вільний одяг, шорти, ювелірні вироби будь-якого роду, або не ходіть босоніж.
- Зафіксуйте довге волосся вище рівня плеча, щоб запобігти заплутуванню в будь-яких рухомих частинах.
- Не використовуйте цю машину, якщо ви втомилися, хворі, або під впливом алкоголю, наркотиків або ліків.
- Тримайте міцну опору і рівновагу. Не тягніться. Необроблених може призвести до втрати рівноваги і може призвести до серйозних травм.
- Перед запуском продукту, переконайтеся, що ріжучі леза не вступають в контакт з чим-небудь.
- Переконайтеся, що продукт правильно розташований в зазначеному робочому положенні перед запуском продукту.
- При роботі триммером для живоплоту на держалі, завжди міцно тримайте його обома руками за дві ручки і переконайтеся, що робоче положення є надійним і безпечним. Виробник не рекомендує використовувати сходи або дробини.
- Використовуйте ремені, якщо вони поставляються з вашим триммером живоплоту на держалі. Це допоможе вам підтримувати вагу виробу під час використання і рухатись між позиціями обрізки. Ретельно відрегулюйте ремені, щоб вони зручно підходили.
- Ідентифікуйте механізм швидкого вивільнення та попрацюйте у його використанні, перш ніж почати використовувати продукт. Його правильне використання може запобігти серйозним травмам в разі виникнення надзвичайної ситуації. Ніколи не носіть додатковий одяг зверху ременів або інакшим чином не обмежуйте доступ до механізму швидкого вивільнення.
- Щоб захистити себе від електричного струму, не працюйте в межах 10 м від повітряних ліній електропередач.
- Ніколи не використовуйте триммер для живоплоту на держалі поруч з огорожею, стовпами, будівлями, або іншими нерухомими об'єктами.
- Леза дуже гострі. При обслуговуванні вузла лез, надягайте неслизькі, надмічні захисні рукавички. Не кладіть руку або пальці між лезами або в будь-якому положення, де вони можуть бути защемлені або порізані. Ніколи не торкайтеся леза або не обслуговуйте пристрій, якщо акумулятор не був видалений.
- Вимкніть та вийміть акумуляторну батарею перед:

- регулювання робочого положення ріжучого пристрою
- очищення або розчищення засмічення
- залишенням продукту без нагляду
- перевірці, технічне обслуговування або робота з виробом.
- Не проштовхуйте триммер для живоплоту на держалі через масивні чагарники. Це може призвести до заплутування лез і сповільнення. Якщо леза сповільнюються, зменшіть темп.
- Не намагайтеся різати стебла або гілочки, які товщиною більше 18 мм, або ті, очевидно, занадто великі, щоб поміститися в ріжучому лезі. Використовуйте ручну пилу без живлення або ножівку для обрізки великих стовбурів.
- Використання захисту органів слуху знижує здатність чути попередження (крики або сигнали тривоги). Оператор повинен звернути особливу увагу на те, що відбувається в робочій зоні.
- Не використовуйте триммер для живоплоту на держалі з пошкодженими або надмірно зношеними лезами.
- Завжди будьте в курсі вашого оточення і залишайтеся напоготові для можливих небезпек, які ви не можете почути через шум продукту.

⚠ ПОПЕРЕДЖЕННЯ

Якщо продукт впаде, постраждав від важкого удару або починає вібрувати, негайно зупиніть прилад та перевірте на наявність пошкоджень або визначте причину вібрації. Будь-яка пошкоджена деталь, має бути правильно відремонтована або замінена в авторизованому сервісному центрі.

⚠ ПОПЕРЕДЖЕННЯ

Переконайтеся, що всі муфти на додатковому держалі та інструменті надійно закріплені перед кожним використанням і через певні проміжки часу.

ТРАНСПОРТУВАННЯ ТА ЗБЕРІГАННЯ

- Зупиніть продукт, вийміть акумулятор і дозвольте обом охолонути перед зберіганням або транспортуванням.
- Очистіть всі сторонні матеріали з продукту. Зберігайте його в сухому прохолодному і добре провітрюваному місці, недоступному для дітей. Для додаткової безпеки, зберігайте батарею окремо від продукту. Зберігати подалі від агресивних агентів, таких як садові хімікати і солей проти обледеніння. Не зберігайте на відкритому повітрі.
- Накрийте лезо протектором леза, перш ніж зберігати пристрій, або під час транспортування.
- Для транспортування, забезпечіть машину від руху або падіння, щоб запобігти травми людей або пошкодження машини.



ОБСЛУГОВУВАННЯ

⚠ ПОПЕРЕДЖЕННЯ

Використовуйте тільки оригінальні запасні частини, аксесуари та обладнання від виробника. Невиконання цієї вимоги може привести до можливої травми, поганої продуктивності та може призвести до втрати гарантії.

⚠ ПОПЕРЕДЖЕННЯ

Обслуговування вимагає крайньої обережності і знання і повинно бути виконане тільки кваліфікованим фахівцем. Для обслуговування, ми пропонуємо вам повернути продукт в найближчий авторизований сервісний центр для ремонту. При обслуговуванні використовуйте тільки ідентичні запасні частини.

⚠ ПОПЕРЕДЖЕННЯ

Леза дуже гострі. Для запобігання травм, проявляйте крайню обережність при чистці, змащенні і встановленні або видаленні протектора леза.

- Вийміть акумулятор перед проведенням технічного обслуговування і очищення.
- Ви можете зробити регулювання та ремонт, описані в цьому посібнику користувача. Для інших ремонтних робіт, зверніться до авторизованого сервісного агента.
- Після кожного використання, очистіть основну частину і ручки продукту м'якою сухою тканиною.
- Після кожного використання, очистіть леза від сміття жорсткою щіткою, а потім ретельно нанесіть мастило від іржі перед установкою протектора леза. Використовуйте рекомендуємім спрей для захисту від іржі та змащування. Подбайте, щоб уникнути контакту з лезом при нанесенні та рівномірному розподілі мастила. Для отримання інформації про відповідний аерозольний продукт, зв'яжіться з вашим місцевим уповноваженим сервісним центром.
- Ви можете злегка змащувати леза перед використанням, якщо необхідно, використовуючи метод, описаний вище.
- Перевірте всі гайки, болти і гвинти після короткого проміжка часу на правильну герметичність, щоб забезпечити продукт у безпечному робочому стані. Будь-яка пошкоджена деталь, має бути правильно відремонтована або замінена в авторизованому сервісному центрі.

ЗАЛИШКОВІ РИЗИКИ

Навіть коли продукт використовується як написано, залишається неможливим повністю усунути деякі залишкові чинники ризику. Наступні небезпеки можуть виникнути і оператор повинен звернути особливу увагу,

щоб уникнути наступного:

- Леза не можуть бути захищені під час різання. Контакт з лезами може призвести до серйозних травм. Тримайте лезо подалі від себе та інших. Накрийте його захисника леза, коли ви не різання.
- Травми, викликані вібрацією Завжди використовуйте правильний інструмент для роботи, використовуйте призначені ручки і обмежіть час роботи і вплив.
- Вплив шуму може призвести до пошкодження слуху. Користуйтеся засобами захисту слуху і обмежіть вплив.

ЗНИЖЕННЯ РИЗИКУ

Повідомлялося, що вібрації від ручних інструментів у певних осіб можуть сприяти стану, який називається синдромом Рейно. Симптоми можуть включати поколювання, оніміння і збліднення пальців, як правило, очевидні при впливі холоду. Спадкові фактори, вплив холоду і вогкості, дієта, куріння і робоча практика, всі ці чинники роблять свій внесок у розвиток цих симптомів. Ці заходи можуть бути прийняті оператором, щоб можливо зменшити вплив вібрації:

- Тримайте тіло в теплі в холодну погоду . При експлуатації приладу, одягайте рукавички, щоб тримати руки і зап'ястя у теплі. Повідомлялося, що холодна погода є основним чинником, що сприяє синдрому Рейно.
- Після кожного періоду роботи, здійснійте вправи для підвищення кровообігу.
- Робіть часті перерви в роботі. Зробіть обмеження кількості впливу на день.

Якщо ви відчуваєте будь-які з симптомів цього стану, негайно припиніть використання і зверніться до лікаря з цими симптомами.

⚠ ПОПЕРЕДЖЕННЯ

Тривале використання інструменту може викликати або посилити травми. При використанні інструменту протягом тривалого періоду, робіть регулярні перерви.

ЗНАЙ СВІЙ ПРОДУКТ

Дивіться сторінку 125.

1. Лезо
2. Обертальна кнопка
3. Подовжувальне держало
4. Муфта
5. Вішалка для ремнів
6. Передня рукоятка
7. Звільнення тригера
8. Тригер Увімкнено/Вимкнено
9. HedgeSweep™ сміття прибиральна машина
10. Ножни
11. Ремінь
12. Акумулятор
13. Кнопка засувки акумулятора

14. Зарядний пристрій

СИМВОЛИ НА ПРОДУКТІ



Попередження безпеки



Читайте і зрозумійте всі інструкції перед експлуатацією виробу, дотримуйтесь всіх вказівок і попереджень з техніки безпеки.



Носіть захист очей, слуху, і голови.



Носіть нековзне захисне взуття при використанні продукту.



Носіть неслизькі, надміцні рукавички.



Не піддавайте впливу дощу або вологих умов.



Тяга: Петля швидкого випуску



Гострі ріжучі леза. Для запобігання серйозних травм не торкайтеся лез.



небезпека ураження електричним струмом. Небезпека ураження електричним струмом, принаймні, на відстані 10 м від повітряних ліній електричного живлення



Остерігайтесь кинутих або літаючих об'єктів. Тримайте всіх перехожих, особливо дітей і домашніх тварин, принаймні 15 м від робочої зони.



Відходи електротехнічної продукції не слід викидати разом із побутовими відходами. Будь ласка, переробляйте там, де наявне устаткування. Перевірте з вашим місцевим органом влади або продавцем для консультацій з приводу переробки.



Відповідає всім нормативним стандартам в країнах ЄС, де виріб було придбано.



Євразійський знак відповідності



Український знак відповідності



Гарантований рівень звукової потужності
95 dB

СИМВОЛИ В ЦЬОМУ ПОСІБНИКУ



Запчастини та аксесуари, що продаються окремо



замітка



Попередження!

Наступні сигнальні слова і змісти призначені для пояснення рівнів ризику, пов'язаних з продуктом.

⚠ НЕБЕЗПЕКА

Вказує на неминуче небезпечну ситуацію, яка, якщо її не уникнути, може призвести до смерті або серйозних травм.

⚠ ПОПЕРЕДЖЕННЯ

Вказує на потенційно небезпечну ситуацію, яка, якщо її не уникнути, може призвести до смерті або серйозних травм.

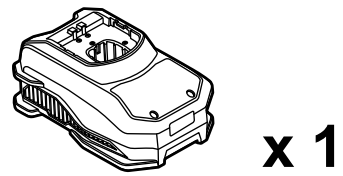
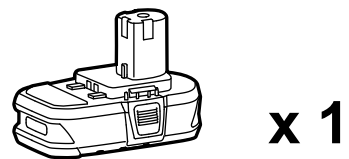
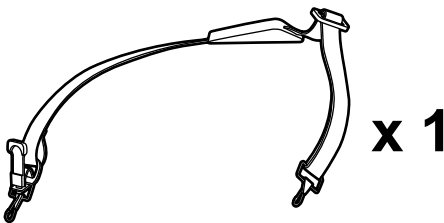
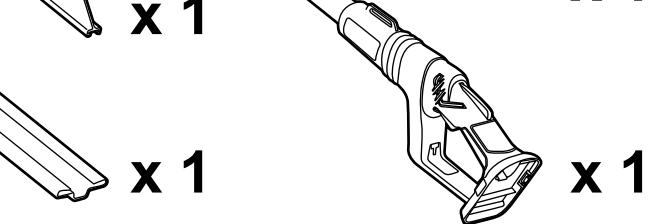
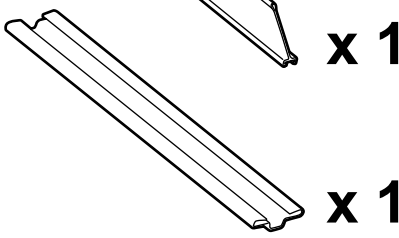
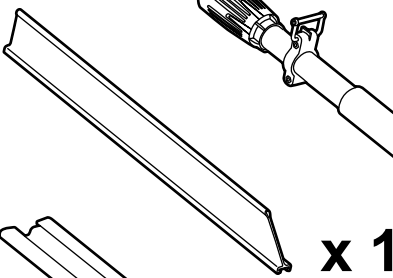
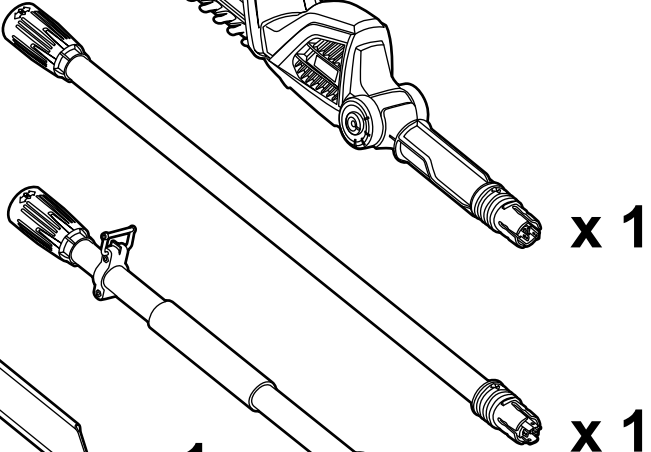
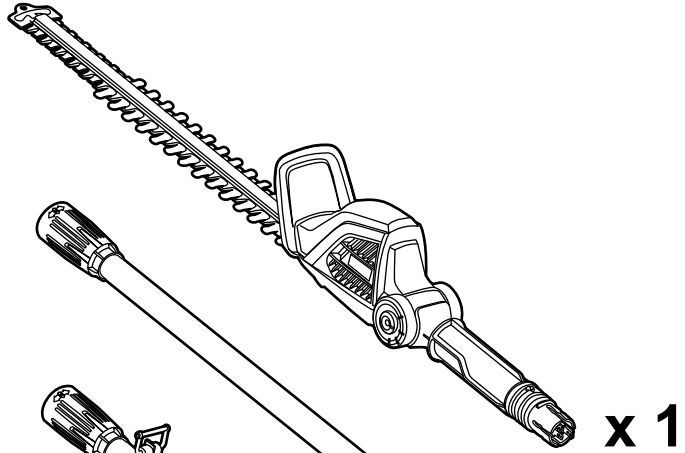
⚠ ПОПЕРЕДЖЕННЯ

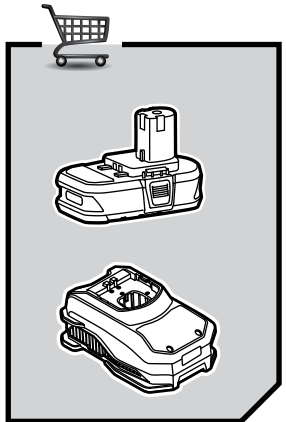
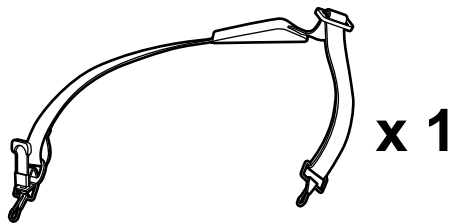
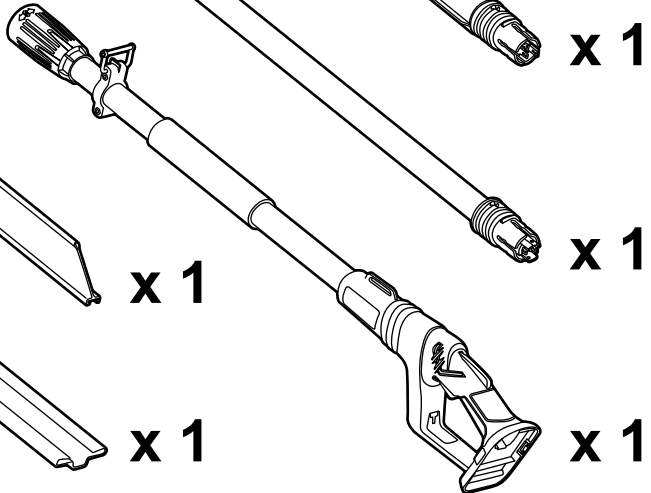
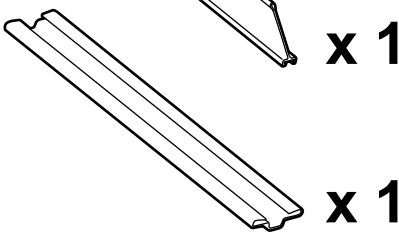
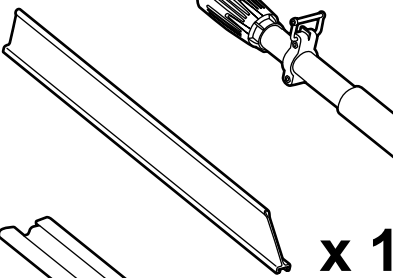
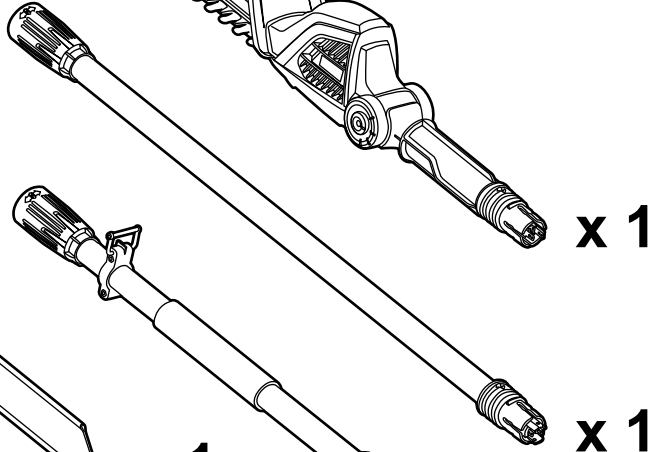
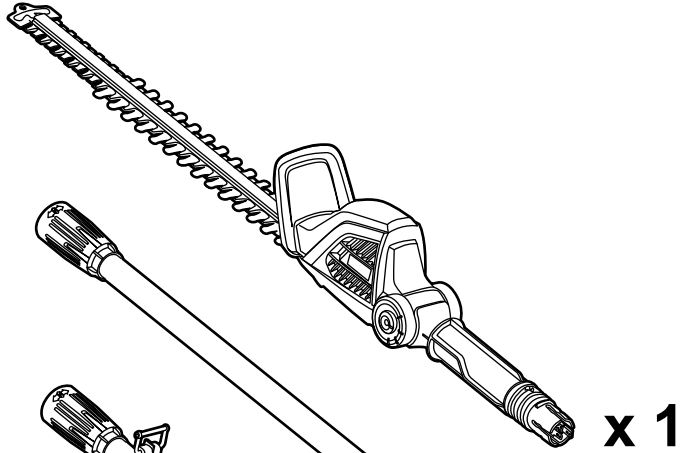
Вказує на потенційно небезпечну ситуацію, яка, якщо її не уникнути, може призвести до легкої або середньої травми.

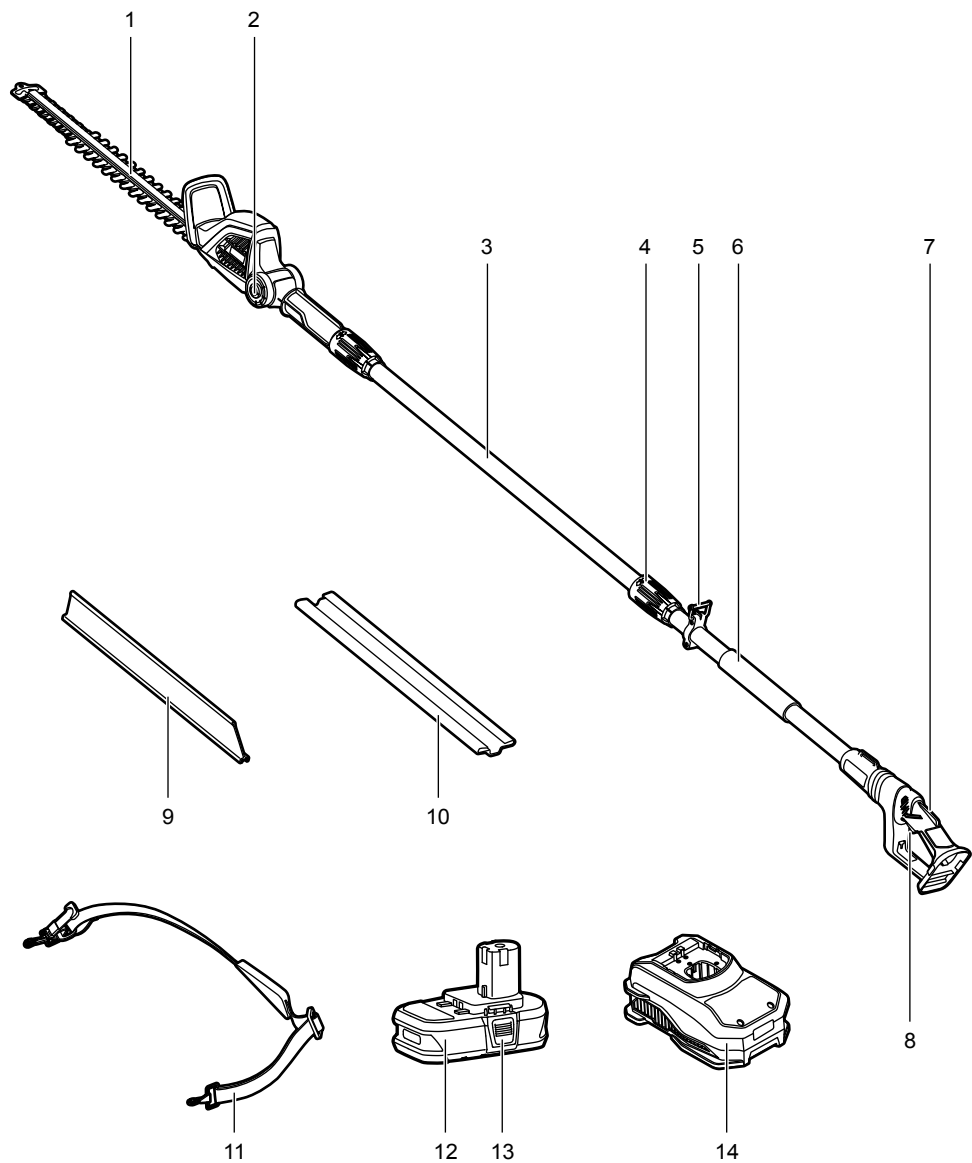
ПОПЕРЕДЖЕННЯ

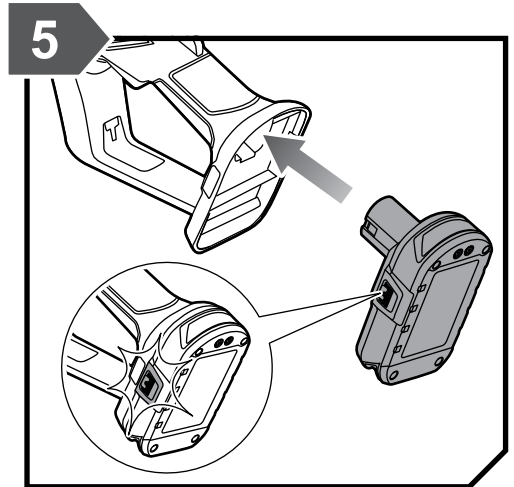
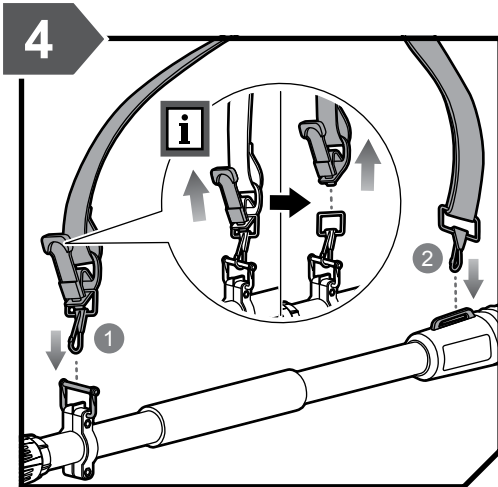
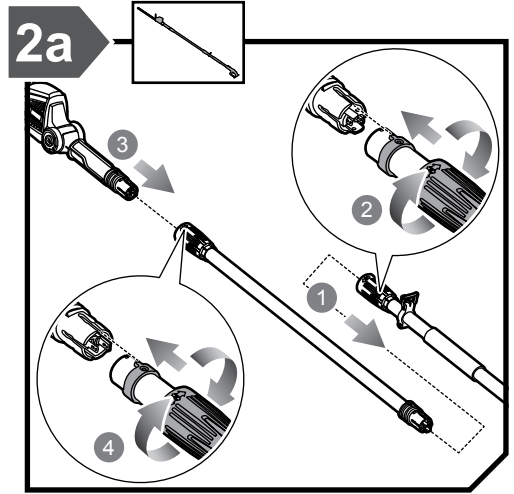
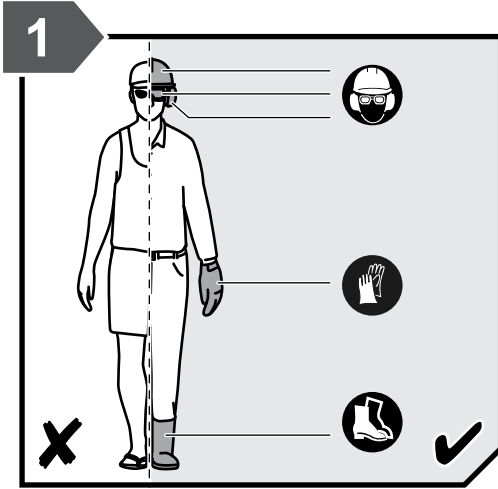
Без попереджувачих символів

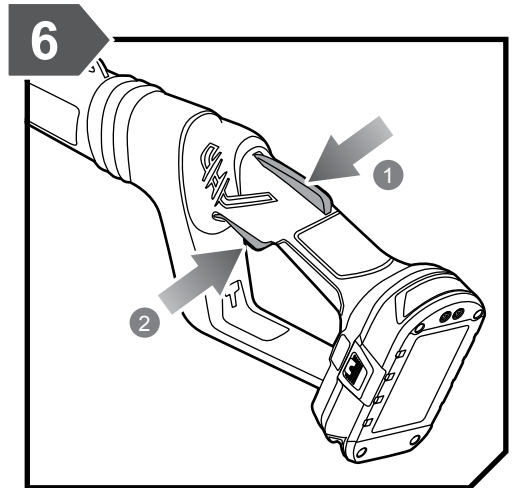
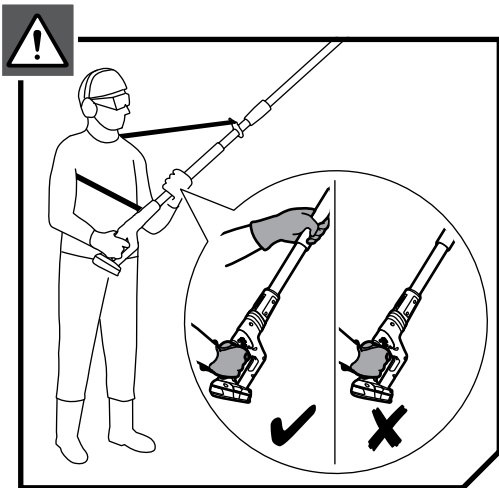
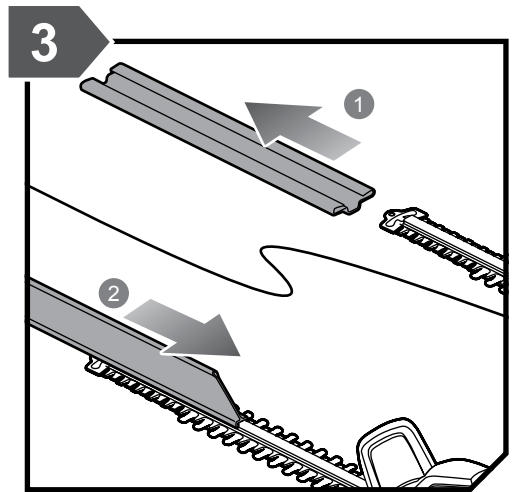
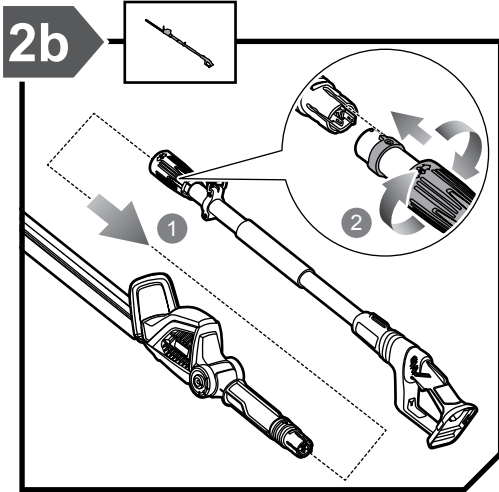
Вказує на ситуацію, яка може призвести до пошкодження майна.

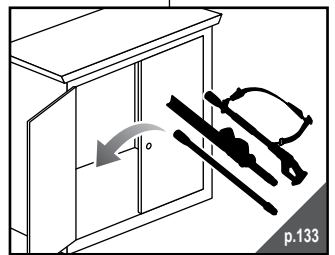
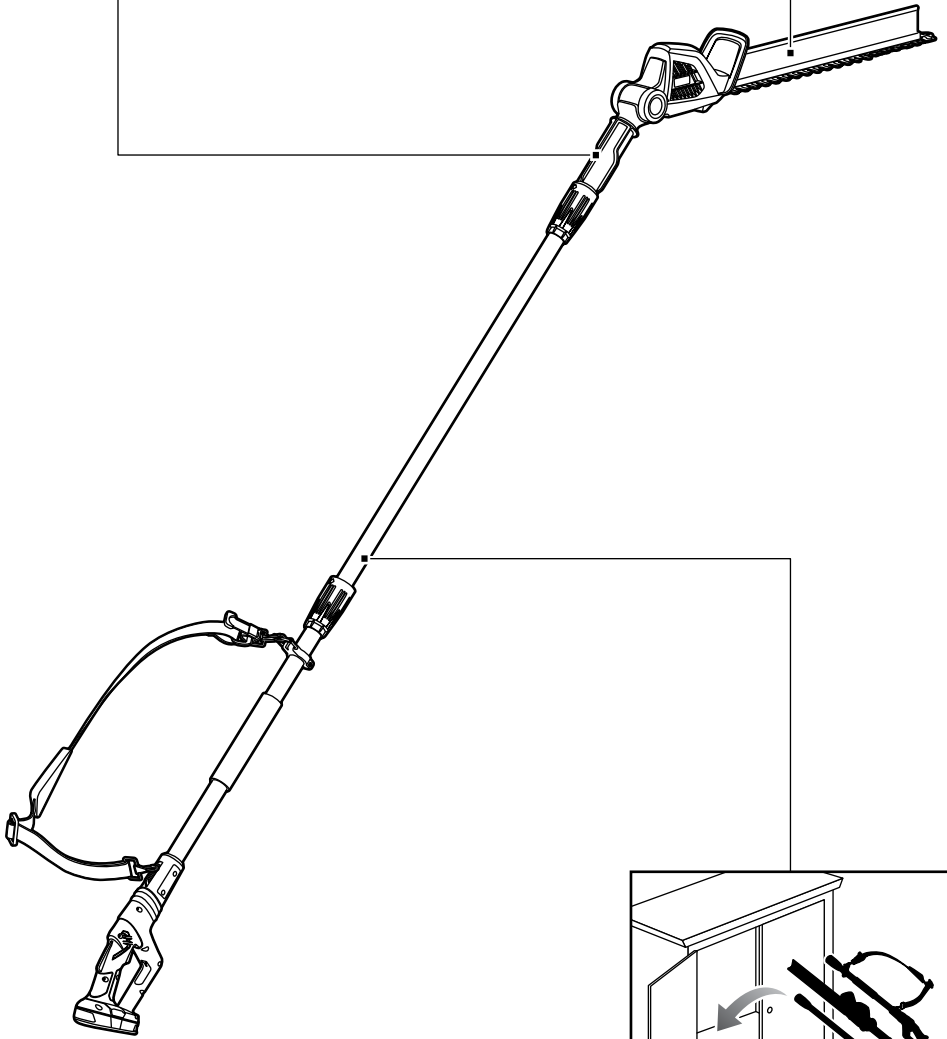
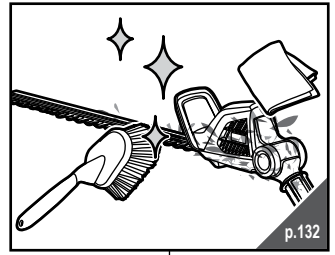
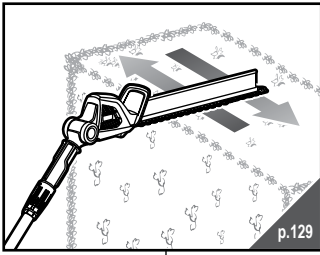


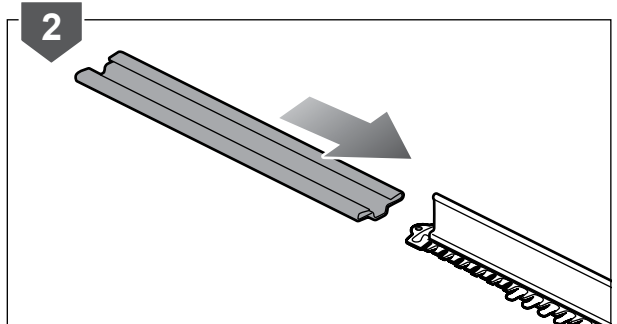
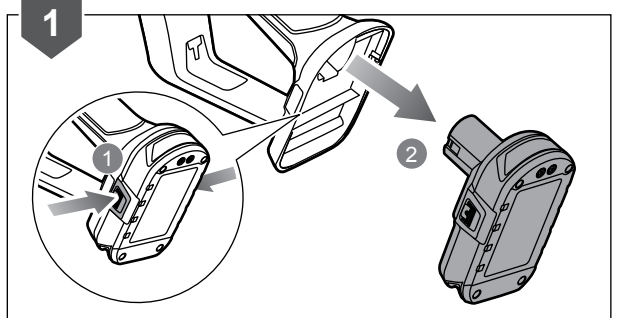
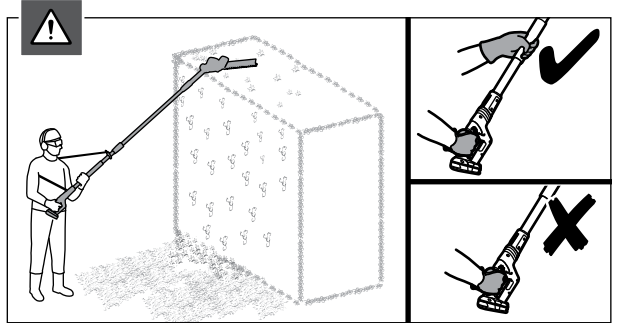
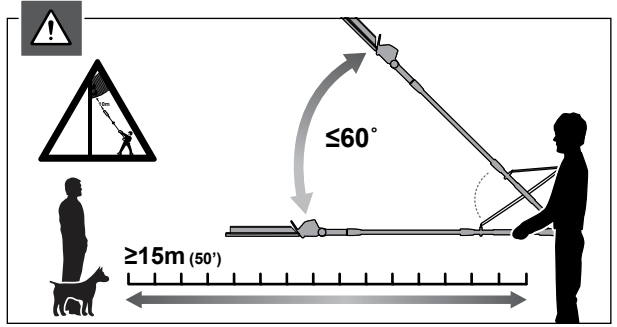
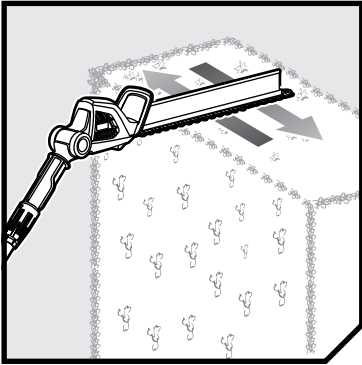




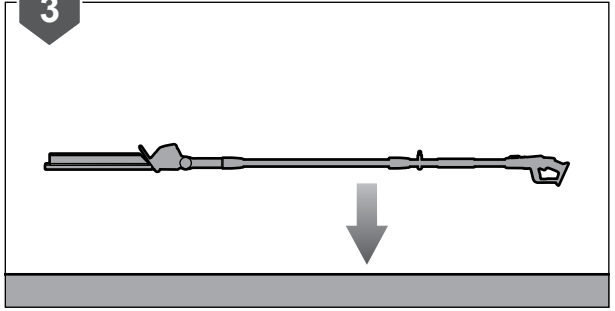




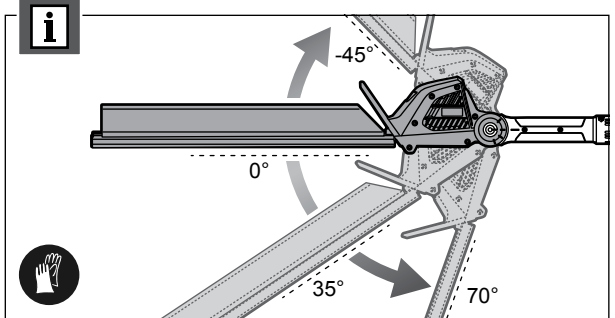
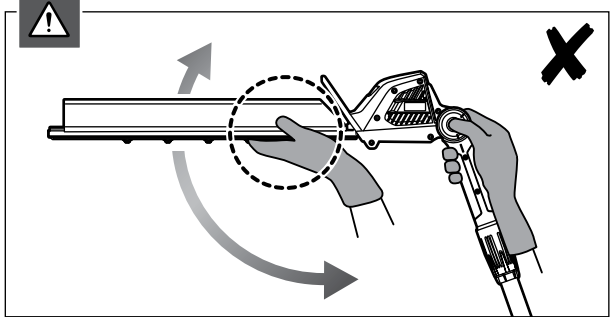
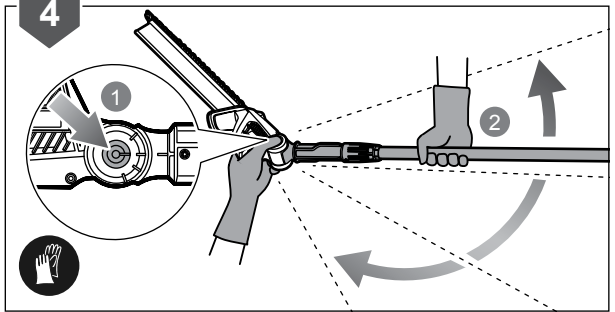


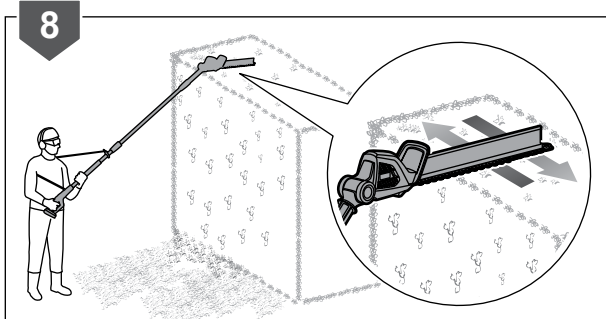
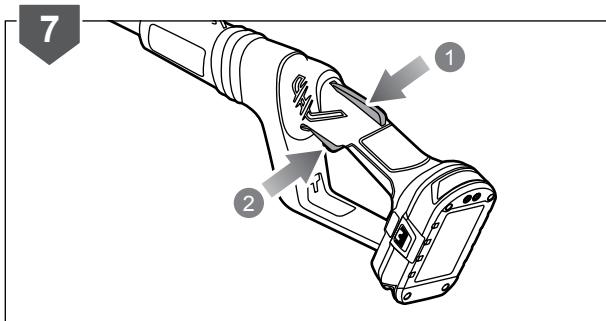
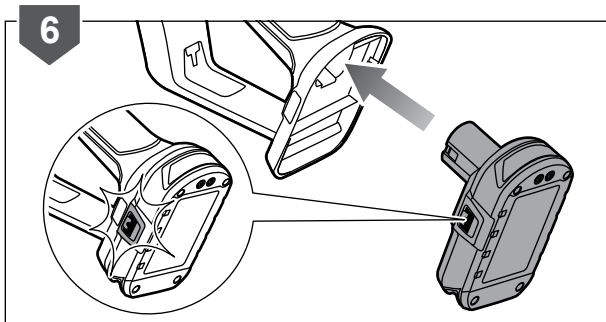
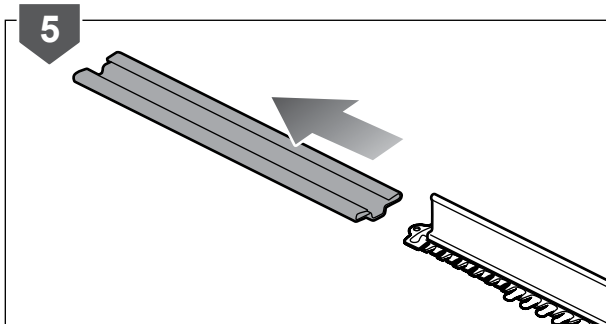


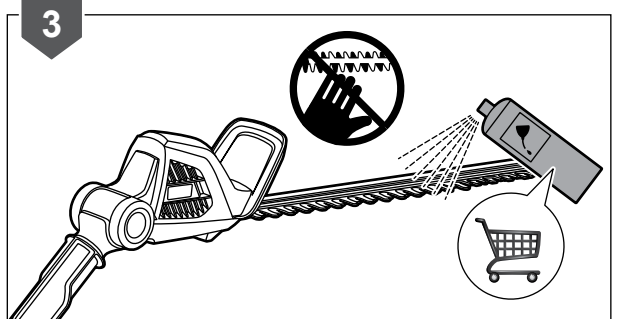
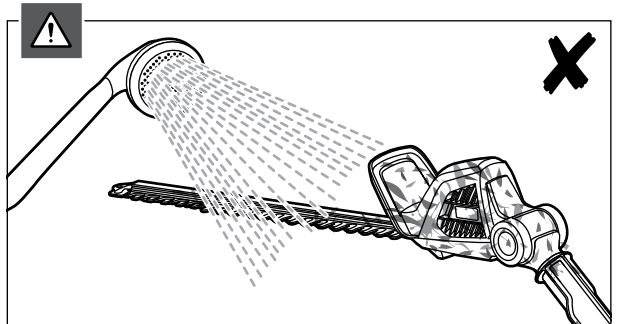
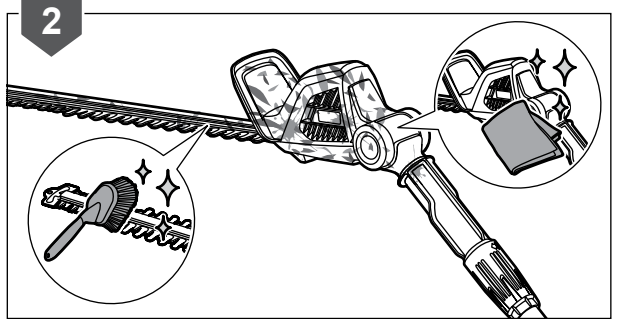
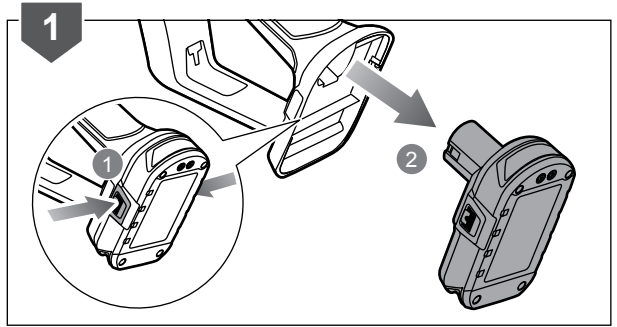
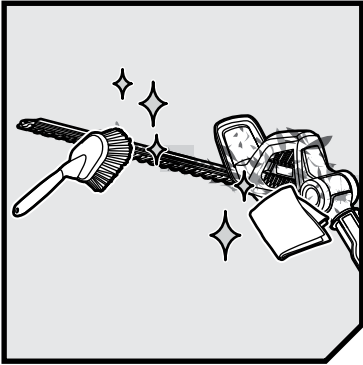
3

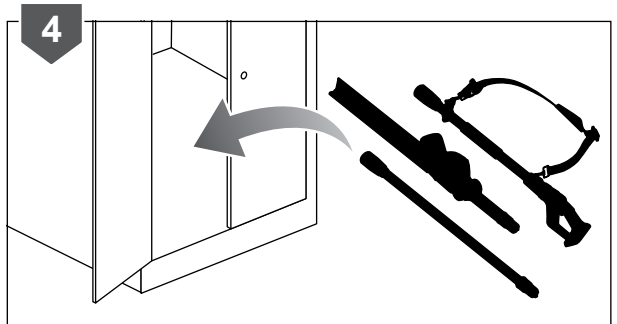
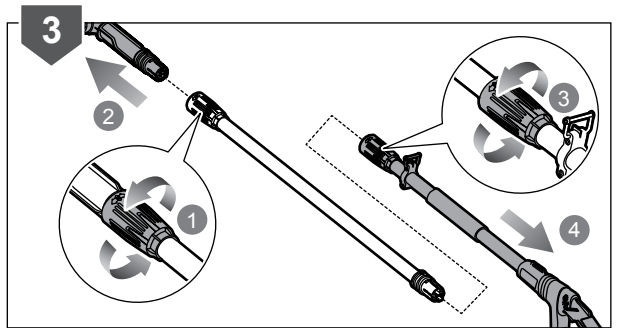
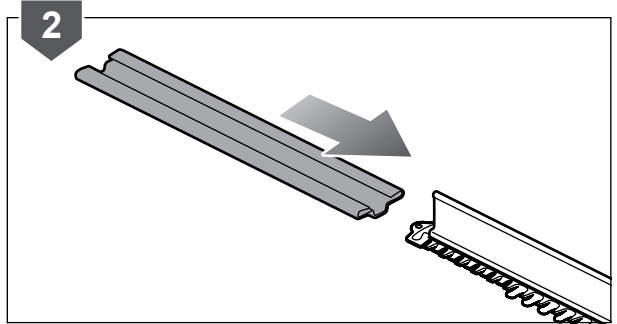
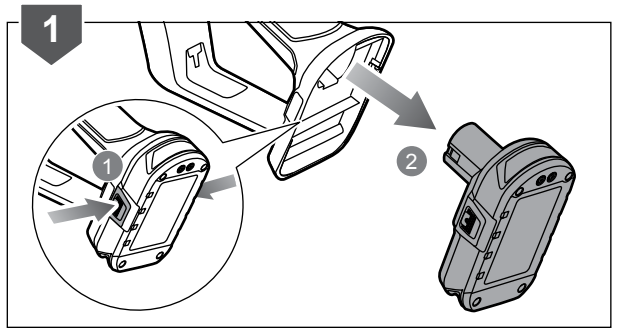
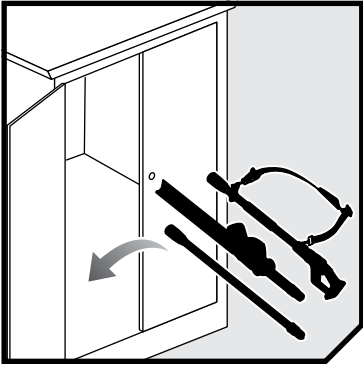


4











English	Français	Deutsch	Español	Italiano	Nederlands	Português
Specifications	Caractéristiques techniques	Technische Daten	Características técnicas	Caratteristiche tecniche	Technische gegevens	Características técnicas
Cordless pole hedge trimmer	Taille-haies sans-fil sur perche	Kabellosen Teleskop Heckenschere	Cortasetos de altura inalámbrico	Tagliasiepi telescopico senza cavi	Snoerloze telescopische heggeschaar	Cortador de sebes sem fios
Model	Modèle	Modell	Modelo	Modello	Model	Modelo
Rated voltage	Tension nominale	Nennspannung	Tensión nominal	Voltaggio nominale	Toegekende spanning	Tensão nominal
No-load speed	Vitesse de rotation	Leerlaufgeschwindigkeit	Velocidad sin carga	Velocità senza carico	Snelheid zonder lading	Velocidade sem carga
Stroke rate at no load	Vitesse de rotation sans charge	Hubfrequenz ohne Last	Índice de desplazamiento sin carga	Frequenza di corsa senza carico	Slagsnelheid zonder belasting	Índice de tempos sem carga
Usable cutting length	Longueur de coupe utile	Anwendbare Schnittlänge	Largo de corte	Lunghezza di taglio disponibile	Bruikbare zaaglengte	Comprimento de corte útil
Cutting capacity	Capacité de coupe	Maximale Arbeitsreichweite des Produktes	Capacidad de corte	Capacità di taglio	Snijcapaciteit	Capacidade de corte
Maximum product working length	Longueur maximale de travail du produit	Gewicht (mit Tragegeschirr, ohne Akku und Ladegerät)	Longitud máxima de trabajo del aparato	Lunghezza massima funzionamento prodotto	Maximum product bedrijfs lengte	Comprimento máximo de trabalho do aparelho
Weight (with harness, without battery and charger)	Poids (avec harnais, sans batterie ni chargeur)	Vibrationsgrad (gemäß Anhang C der EN ISO 10517:2009+A1:2013)	Peso (con arnés, sin batería y cargador)	Peso (con cinghia di supporto, senza batteria e caricatore)	Gewicht (met harnas, zonder batterij en lader)	Peso (com arnés, sem bateria e carregador)
Vibration level (in accordance with annex C of EN ISO 10517:2009+A1:2013)	Niveau de vibrations (selon l'Annexe C de EN ISO 10517:2009+A1:2013)	Nivel de vibración (de conformidad con el Anexo C de la norma EN ISO 10517:2009+A1:2013)	Nivel de vibración (de conformidad con el Anexo C de la norma EN ISO 10517:2009+A1:2013)	Livello di vibrazioni (secondo quanto stabilito dallo standard EN ISO 10517:2009+A1:2013 nell'Allegato C.)	Trillingsniveau (in overeenstemming met bijlage C van EN ISO 10517:2009+A1:2013)	Nível de vibração (em conformidade com o Anexo C da norma EN ISO 10517:2009+A1:2013)
Vibration total value	Valeur totale des vibrations	Gesamtwert der Vibration	Valor total de vibración	Valore totale vibrazioni	Totale waarde trilling	Valor total da vibração
Uncertainty of measurement	Incertitude de la mesure	Unsicherheit der Messung	Incetidumbre de medición	Incetezza delle misurazioni	Onzekerheid bij meting	Incetza de medições
Noise emission level (in accordance with annex D of EN ISO 10517:2009+A1:2013)	Niveau d'émission sonore (selon l'Annexe D de EN ISO 10517:2009+A1:2013)	Schalleistungspegel (gemäß Anhang D der EN ISO 10517:2009+A1:2013)	Nivel de emisión de ruido (de conformidad con el Anexo D de la norma EN ISO 10517:2009+A1:2013)	Livello di emissione rumore (secondo quanto stabilito dallo standard EN ISO 10517:2009+A1:2013 nell'Allegato D.)	Geluidsemissieniveau (in overeenstemming met bijlage D van EN ISO 10517:2009+A1:2013)	Nível de emissão de ruído (em conformidade com o Anexo D da norma EN ISO 10517:2009+A1:2013)
A-weighted sound pressure level at operator's position	Niveau de pression sonore pondéré A au niveau de l'opérateur	A-bewerteter Schalldruckpegel an der Position des Benutzers	Nivel de presión sonora ponderado A en la posición del operario	Livello di pressione sonora ponderata A alla posizione dell'operatore	A-gewogen geluidsdruk niveau bij positie van gebruiker	Nível de pressão sonora ponderada A na posição do operador
Uncertainty of measurement	Incetitude de la mesure	Unsicherheit der Messung	Incetidumbre de medición	Incetezza della misurazione	Onzekerheid bij meting	Incetza de medições
A-weighted sound power level	Niveau de puissance sonore pondéré-A	A-bewerteter Schalleistungspegel	Nivel de potencia acústica ponderada en A	Livello di potenza sonora pesato A	A-gewogen geluidsniveau	Nível de potência sonora ponderada A
Uncertainty of measurement	Incetitude de la mesure	Unsicherheit der Messung	Incetidumbre de medición	Incetezza della misurazione	Onzekerheid bij meting	Incetza de medições
Replacement parts	Pièces de Rechange	Ersatzteile	Piezas de repuesto	Parti di ricambio	Vervangonderdelen	Peças de substituição
HedgeSweep™ debris sweeper	Déflecteur de débris HedgeSweep™	HedgeSweep™ Schnittgut-Kehrer	Barredora de escombros HedgeSweep™	Aspiratore di detriti HedgeSweep™	HedgeSweep™ afvalveger	Varredor de detritos HedgeSweep™
Scabbard	Fourreau	Schienenabdeckung	Funda	Copertura lame	Zaagschede	Bainha
Harness	Harnais	Tragegurt	Arnés	Cinghia	Harnas	Arnés

English	Français	Deutsch	Español	Italiano	Nederlands	Português
Model	Modèle	Model	Modelo	Modello	Model	Modelo
Battery pack	Batterie	Akku	Batería	Batteria	Accu	Bateria
Charger	Chargeur	Ladegerät	Cargador	Caricatore	Lader	Carregador
Compatible battery packs	Packs Batterie Compatibles	Kompatible Akkus	Paquetes de batería compatibles	Gruppo batterie compatibili	Compatibele accupacks	Baterias Compatíveis





Dansk	Svenska	Suomi	Norsk	Русский	
Tekniske specifikationer	Tekniska data	Tekniset tiedot	Tekniske egenskaper	Технические характеристики	
Ledningsfri stanghækkeklipper	Kabelfri haksax på stav	Langgattoman versipensasleikkurisi	Elektriske hekkklipper	Беспроводного штангового триммера-кустореза	
Model	Modell	Malli	Modell	Модель	RPT184515/OPT1845
Mærkespænding	Spänning	Nimellisjännite	Nominell spenning	Номинальное напряжение	DC 18 Volts
Tomgangshastighed	Hastighed utan belastning	Nopeus ilman kuormaa	Tomgangshastighet	Холостая скорость	1,350 min ⁻¹
Slagshastighed uden belastning	Slagshastighet utan belastning	Iskunopeus ilman kuormaa	Stempelslag ved tomgang	Частота вращения на холостом ходу	2,700 spm
Anvendelig skærer længde	Användbar sägningsslängd	Leikkuupituus	Brukbar kuttelengde	Используемая режущая длина	450 mm
Skærekapacitet	Trimningskapacitet	Leikkauskapasiteetti	Klippekapasitet	Сокращение вместимости	18 mm
Max produktarbejds længde	Max längd på produktarbete	Tuotteen suurin työpituus	Maksimal arbejds længde	Максимальная рабочая длина изделия	2.93 m
Vægt (inkl. sele, uden batteri og oplader)	Vægt (med sele, utan batteri eller laddare)	Paino (valjaiden kanssa, ilman akkua ja laturia)	Vekt (med ledninger, utan batteri og lader)	Масса (с ремнем, без батареи и зарядного устройства)	4.2 kg
Vibrationsniveau (i henhold til bilag C til EN ISO 10517:2009+A1:2013)	Vibrationsnivå (i enlighet med EN ISO 10517:2009+A1:2013 Annex C)	Tärinäno (EN ISO 10517:2009+A1:2013 standardin liitteen C mukaan)	Vibrasjonsnivå (i henhold til Tillegg C av EN ISO 10517:2009+A1:2013)	Уровень вибрации (согласно Приложению C стандарта EN ISO 10517:2009+A1:2013)	
Total vibrationsværdi	Totalvärde för vibration	Tärinän kokonaisarvo	Vibrasjon totalverdi	Суммарное значение вибрации	1.25 m/s ²
Målingsusikkerhed	Osäkerhet för mått	Mittausten epä tarkkuus	Usikkerhet ved måling	Погрешность измерения	1.5 m/s ²
Støjmissionsniveau (i henhold til bilag D til EN ISO 10517:2009+A1:2013)	Bullerutsläppsnivå (i enlighet med EN ISO 10517:2009+A1:2013 Annex D)	Melutaso (EN ISO 10517:2009+A1:2013 standardin liitteen D mukaan)	Støyutslippsnivå (i henhold til Tillegg D av EN ISO 10517:2009+A1:2013)	Уровень шума (согласно Приложению D стандарта EN ISO 10517:2009+A1:2013)	
A-vægtet lydtrykniveau ved operatørens position	A-viktad ljudtrycksnivå vid operatörsplats	A-painotettu käyttäjään kohdistuva äänenpainetaso	Støynivåvektning ved operatørens posisjon	Амплитудно-взвешенный уровень звукового давления в рабочем месте оператора	81.1 dB(A)
Målingsusikkerhed	Osäkerhet i mätningar	Mittausten epä tarkkuus	Usikkerhet ved måling	Погрешность измерения	2.5 dB
A-vægtet lydeffektniveau	A-vägd ljudeffektnivå	A-painotettu äänenteho	A-vektet lydeffektnivå	Уровень A-взвешенной звуковой мощности	92.8 dB(A)
Målingsusikkerhed	Osäkerhet i mätningar	Mittausten epä tarkkuus	Usikkerhet ved måling	Погрешность измерения	1.75 dB
Reservevedele	Utbytesdelar	Varaosat	Erstatningsdeler	Запасные части	
HedgeSweep™-løvfjernere	HedgeSweep™ klippborrtørførem	HedgeSweep™-puhdistuslaite	HedgeSweep™ affallsfjerner	Подметальная для мусора HedgeSweep™	526799003
Skede	Svårdsida	Terän suojuus	Futteral	Ножи	526798003
Sele	Sele	Valjaat	Sele	Привязной ремень	308319004

Dansk	Svenska	Suomi	Norsk	Русский		
Model	Modell	Malli	Modell	Модель	RPT184515	OPT1845
Batteri	Batteri	Akku	Batteri	Аккумулятор	RB18L15	Not included
Oplader	Batteriladdare	Laturi	Lader	Зарядное устройство	BCL14181H	Not included
Kompatible batterier	Kompatibla batteripaket	Yhteensopivat akut	Kompatible batteripakker	Совместимая аккумуляторная батарея	RB18L13, RB18L15, RB18L25, RB18L26, RB18L40, RB18L50	





Polski	Čeština	Magyar	Română	Latviski	Lietuviškai	Eesti
Parametry techniczne	Technické údaje	Műszaki adatok	Caracteristici tehnice	Specifikācijas	Techninės sąlygos	Techninės sąlygos
Bezprzewodowych noży do żywienia na wysięgniku Model	Bezdrátového plotostřihu s dlouhým dosahem Model	Akkumulátoros teleshópós sövényvágó Típus	De tuns gardul viu fără cablu Model	Bezvadu dzīvžoga trimeri Modelis	Belaides gyvatvorių žirkles Modelis	Varrega hekitrimmeri Mudel
Napięcie znamionowe	Jmenovité napětí	Névleges feszültség	Tensiunea nominală	Nominālais spriegums	Nominali įtampa	Nimipinge
Prędkość obrotowa bez obciążenia	Rychlost naprázdno	Üresjárati fordulatszám	Vitezá fára sarcinã	Átrums bez slodzes	Greitis be apkrovimo	Tühikäigukiirus
Prędkość skokowa bez obciążenia	Počet taktů při chodu naprázdno	Ütészám üresjárásban	Ritm cursã fãra sarcinã	Taktu skaits tukšgaitã	Kirčių dažnis nesant apkrovos	Käigusagedus ilma koormuseta
Użyteczna długość cięcia	Využitelná řezací délka	Hasznos vágáshossz	Lungime de tăiere utilizabilã	Izmantojamais griešanas garums	Naudojamasis pjovimo ilgis	Kasutatav lõike pikkus
Szerokość cięcia	Řezací kapacita	Vágási teljesítmény	Lungime de tăiere	Griešanas dziļums	Pjovimo talpa	Lõikevõimsus
Maksymalna długość robocza produktu	Maximální pracovní délka výrobku	Termék maximális hossza működés közben	Lungime maximã de prelucrare a produsului	Maksimālais produkta darba ilgums	Maksimalus darbinis gaminio ilgis	Seedme maksimaalne töö pikkus
Waga (z urządzeniem, bez akumulatora i ładowarki)	Hmotnost (s popruhem, bez akumulatoru a nabíječky)	Tömeg (vezetékekkel együtt, akkumulátor és töltő nélkül)	Greutate (cu ham, fără acumulator și încărcător)	Svars (ar aprīkojumu, bez baterijas un lādētāja)	Svoris (su saugos diržais, be baterijos ir įkroviklio)	Mass (koos rakmete, aku ja laadijaga)
Poziom drgań (zgodnie z aneksem C normy EN ISO 10517:2009+A1:2013)	Úroveň drgaví (v souladu s přílohou C normy EN ISO 10517:2009+A1:2013)	Vibrációs szint (az EN ISO 10517:2009+A1:2013 C. függelékének megfelelően)	Nivelul vibrațiilor (în conformitate cu Anexa C a EN ISO 10517:2009+A1:2013)	Vibrācijas līmenis (saskaņā ar EN ISO 10517:2009+A1:2013 pielikumu C)	Vibracijos lygis (pagal EN ISO 10517:2009+A1:2013 C priedã)	Vibratsioonitase (vastavalt standardi EN ISO 10517:2009+A1:2013 lisale C)
Łączna wartość vibracji	Hodnota celkových vibrací	Vibráció teljes értéke	Valoare totalã a vibrației	Vibrācijas kopējais apjoms	Bendra vibracijos vertė	Vibratsiooni koguvãrtus
Niepewność pomiaru	Nejistota měření	Mérés bizonytalansága	Nesiguranța măsurătorii	Mērījuma nenoteiktība	Matavimo paklaida	Mõõtmisvõrratus
Poziom emisji hałasu (zgodnie z aneksem D normy EN ISO 10517:2009+A1:2013)	Hladina emise hluku (v souladu s přílohou D normy EN ISO 10517:2009+A1:2013)	Hangkibocsátási szint (az EN ISO 10517:2009+A1:2013 D. függelékének megfelelően)	Nivel emisie zgomot (în conformitate cu Anexa D a EN ISO 10517:2009+A1:2013)	Troksņu emisijas līmenis (saskaņā ar EN ISO 10517:2009+A1:2013 pielikumu D)	Skleidžiamo triukšmo lygis (pagal EN ISO 10517:2009+A1:2013 D priedã)	Helivõimsuse tase (vastavalt standardi EN ISO 10517:2009+A1:2013 lisale D)
Poziom ciśnienia akustycznego w pozycji operatora	Hladina akustického tlaku váženã funkcí A v poloze obsluhy	A-súlyozott hangnyomásszint a kezelő helyén	Un nivel de presiune al sunetului mai tare la poziția operatorului.	Lietotāja pozīcijã ir ar A novērtēts skaņas spiediena līmenis.	A lygio svorinis garso slėgis operatoriaus padėtyje.	A-kaalutud müraemissiooni rõhu tase operatori tőkojal
Niepewność pomiaru	Nejistota měření	Mérés bizonytalansága	Incertitudine a măsurării.	Mērījuma mainīgums	Matmenų paklaida	Mõõtmisvõrratus
A-ważony poziom natężenia hałasu	Hladina akustického výkonu váženã funkcií A	A-súlyozott hangteljesítményszint	Nivel de putere acustică ponderatã A	A-līmeņa skaņas jaudas līmenis	A svertinis garso galios lygis	A-kaalutud helivõimsuse tase
Niepewność pomiaru	Nejistota měření	Mérés bizonytalansága	Incertitudine a măsurării.	Mērījuma mainīgums	Matmenų paklaida	Mõõtmisvõrratus
Części zamienne	Náhradní díly	Cserealkatrészek	Piese de schimb	Rezerves daļas	Atsarginės detalės	Asendusosad
Zamiatarka ogrodowa HedgeSweep™	HedgeSweep™ sběrače odfezků	HedgeSweep™ hulladékseprű	Dispozitiv de aspirat reziduuri HedgeSweep™	HedgeSweep™ grūžu slaucītãjs	HedgeSweep™ atliekų šlavyklė	HedgeSweep™ prahiemaldi
Pochwa	Pouzdro	Védőtok	Încãrcător	Maksts	Makštis	Tupp
Uprząż	Popruhy	Heveder	Ham	Drošības jostas	Saugos diržai	Rakmed

Polski	Čeština	Magyar	Română	Latviski	Lietuviškai	Eesti
Model	Model	Típus	Model	Modelis	Modelis	Mudel
Akumulator	Baterie	Akkumulátor	Acumulator	Akumulators	Baterija	Aku paketiga
Ładowarka	Nabíječka	Töltő	Încãrcător	Lãdētãjs	Įkroviklis	Laadija
Pasujące akumulatory	Kompatibilní akumulátory	Kompatibilis akkumulátorok	Acumulatori compatibili	Savietojami akumulatoru komplekti	Suderinami baterijos paketai	Ühilduvad akupaketid





Hrvatski	Slovensko	Slovenčina	България	Українська	
Tehničke karakteristike	Tehnični podatki	Špecifikácie	Спецификации на продукта	Специфікації	
Bežičnog kresača za ogradu	Brežičnega teleskopskega obrezovalnika žive meje	Akumulátorového strihača živého plotu	Безжичен хресторез с удължител	Бездротова газонокосарка полюс	
Model	Model	Modelis	Модел	Модель	RPT184515/ OPT1845
Nazivni napon	Nazivna napetost	Menovité napätie	Номинален волтаж	Номинальна напруга	DC 18 Volts
Brzina bez opterećenja	Hitrost neobremenjenega motorja	Rýchlosť naprázdno	Скорост в ненатоварен режим	Швидкість без навантаження	1,350 min ⁻¹
Brzina takta kad nema opterećenja	Število udarcev brez obremenitve	Zdvižový pomer bez záťaže	Скорост на рязане в ненатоварен режим	Швидкість ходу при відсутності навантаження	2,700 spm
Korisna duljina vodilice	Dolžina uporabne površine za žaganje	Využitelná dĺžka rezania	Използваема дължина на рязане	Корисна довжина різання	450 mm
Duljina rezanja	Kapaciteta rezanja	Kapacita rezania	Капацитет на рязане	Ріжуча здатність	18 mm
Maksimalna duljina proizvoda u radu	Maksimalna dolžina obdelovanja izdelka	Maximálna pracovná dĺžka produktu	Максимална работна дължина на продукта	Максимална робоча довжина продукту	2.93 m
težina (s kořomčom, bez baterije i punjača)	Teža (z oprtnikom, brez baterije in polnilnika)	Hmotnosť (s strojom, bez akumulátora a nabíjačky)	Тегло (заедно с презрамката, но без батерията и зарядното устройство)	Вага (з ремнем, без аккумулятора і зарядного пристрою)	4.2 kg
Razina vibracije (u skladu s Dodatkom C od EN ISO 10517:2009+A1:2013)	Raven vibracij (v skladu s priloženo C standarda EN ISO 10517:2009+A1:2013)	Úroveň vibrácií (v súlade s dodatkom C normy EN ISO 10517:2009+A1:2013)	Ниво на вибрация (съобразно приложение С на EN ISO 10517:2009+A1:2013)	Рівень вібрації (згідно з додатком 3 EN ISO 10517: 2 009 + A1: 2013)	
Ukupna vrijednost vibracija	Skupna vrednost vibracij	Celková hodnota vibrácií	Обща стойност на вибрациите	Загальне значення вібрації	1.25 m/s ²
Neodređenost mjerenja	Negotovost meritve	Nespolahlivost meraní	Несигурност на измерването	Невизначеність вимірювання	1.5 m/s ²
Razina emisija buke (u skladu s Dodatkom D od EN ISO 10517:2009+A1:2013)	Raven emisij hrupa (v skladu s priloženo D standarda EN ISO 10517:2009+A1:2013)	Úroveň emisií hluku (v súlade s dodatkom D normy EN ISO 10517:2009+A1:2013)	Ниво на шумовите емисии (съобразно приложение D на EN ISO 10517:2009+A1:2013)	Рівень шуму (відповідно до додатку D з EN ISO 10517:2009+A1:2013)	
A-ponderirana razina zvučnog tlaka u položaju operatera	A-izmerjena raven zvočnega tlaka pri položaju upravljalca	Vážená A hladina akustického výkonu na pozícií obsluhujúcej osoby.	Равнище А на нивото на шумовото налягане на мястото на оператора.	A-зважений рівень звукового тиску на робочому місці оператора	81.1 dB(A)
Neodređenost mjerenja	Negotovost meritev	Nespolahlivost meraní	Несигурност на измерването	Невизначеність вимірювання	2.5 dB
Ponderirana razina zvučne snage	A-izmerjena raven zvočne moči	Vážená A hladina akustického výkonu	Ниво на силата на шума с равнище А	A-зважений рівень звукової потужності	92.8 dB(A)
Neodređenost mjerenja	Negotovost meritev	Nespolahlivost meraní	Несигурност на измерването	Невизначеність вимірювання	1.75 dB
Zamjena dijelova	Nadomestni deli	Náhradné diely	Резервни части	Змінна частина	
HedgeSweep™ čistač odpadaka	Čistilnik smeti HedgeSweep™	Zmeták úlomkov HedgeSweep™	Метачка с четки за отпадъци HedgeSweep™	HedgeSweep™ сміття прибиральна машина	526799003
Korice (štitnik lanca i vodilice lanca)	Zaštitni tulec	Puzdro	Кальф	Ножни	526798003
Remen	Jermen	Postroj	Презрамка	Ремінь	308319004

Hrvatski	Slovensko	Slovenčina	България	Українська		
Model	Model	Modelis	Модел	Модель	RPT184515	OPT1845
Baterija	Akumulator	Batéria	Батерия	Контейнер з акумулятором	RB18L15	Not included
Punjač	Polnilac	Nabijačka	Зарядно устройство	Зарядний пристрій	BCL14181H	Not included
Kompatibilna pakiranja baterija	Zdrujljive baterije	Kompatibilné jednotky akumulátorov	Съвместими батерии	Сумісні акумуляторні блоки	RB18L13, RB18L15, RB18L25, RB18L26, RB18L40, RB18L50	





EN Vibration level

The declared vibration value has been measured with a standard test method and may be used to compare one tool with another.

The declared vibration value may be used in a preliminary assessment of exposure. The vibration emission during actual use of power tool can differ from the declared total value depending on the ways in which the tool is used.

Identify safety measures to protect yourself based on an estimation of exposure in the actual conditions of use, taking account of all parts of the operating cycle such as the times when the tool is switched off and when it is running idle in addition to the trigger time.

FR Niveau de vibrations

La valeur déclarée totale des vibrations a été mesurée selon une méthode de test standardisée qui peut être utilisée pour comparer un outil avec un autre.

La valeur déclarée totale des vibrations peut également être utilisée pour évaluer par avance le niveau d'exposition.

La valeur des vibrations réellement produites durant l'utilisation de l'outil électrique peuvent différer de la valeur totale déclarée, en fonction de la manière dont l'outil est utilisé.

Identifiez les mesures de sécurité à prendre pour vous protéger, sur la base d'une estimation de l'exposition réelle, en tenant compte de tous les éléments du cycle d'utilisation tels que le temps d'arrêt de l'outil et le temps de son fonctionnement au ralenti, en plus du temps de fonctionnement normal.

DE Vibrationsgrad

Der angegebene Vibrationswert wurde durch eine Standard-Testmethode ermittelt und kann dazu verwendet werden, ein Werkzeug mit einem anderen zu vergleichen. Der angegebene Vibrationswert kann für eine Vorabbeurteilung der Exponierung herangezogen werden.

Die Vibrationsemissionen bei der tatsächlichen Benutzung von Elektrowerkzeugen kann sich, abhängig von der Art der Benutzung des Werkzeugs, von dem genannten Wert unterscheiden.

Identifizieren Sie aufgrund einer Einschätzung der Exponierung unter tatsächlichen Einsatzbedingungen Maßnahmen zum eigenen Schutz, unter Berücksichtigung aller Bestandteile des Betriebszyklus, wie die Zeiten zu denen das Werkzeug ausgeschaltet ist, und zu denen es sich zusätzlich zu den Auslösezeitpunkten im Leerlauf befindet.

ES Nivel de vibración

El valor declarado de vibraciones se ha medido con un método de prueba estándar y puede utilizarse para comparar una herramienta con otra.

El valor declarado de vibraciones puede utilizarse en una evaluación preliminar de exposición.

La emisión de las vibraciones durante el uso real de la herramienta eléctrica puede diferir del valor total declarado según el uso que se le dé a la herramienta. Identifique las medidas de seguridad para protegerse en base a una estimación de la exposición en las condiciones reales de uso, teniendo en cuenta todas las partes del ciclo de funcionamiento, como los tiempos en que la herramienta está apagada y cuando está en ralentí, además del tiempo de activación.

IT Livello di vibrazioni

Il valore delle vibrazioni dichiarato deve essere misurato con un metodo di test standard e può essere utilizzato per paragonare un utensile a un altro.

Il valore dichiarato delle vibrazioni può essere utilizzato nella valutazione preliminare dell'esposizione.

L'emissione delle vibrazioni durante l'utilizzo dell'utensile può essere diversa dal valore totale dichiarato a seconda dei modi in cui l'utensile viene utilizzato.

Individuare misure di sicurezza per proteggersi basate su una stima dell'esposizione nelle attuali condizioni di utilizzo, prendendo in considerazione tutte le parti del ciclo operativo come i tempi in cui l'utensile viene spento o quando funziona al minimo oltre al tempo di attivazione.

NL Trillingsniveau

De aangegeven trillingswaarde werd gemeten met behulp van een standaard testmethode en kan worden gebruikt om gereedschap met elkaar te vergelijken.

De aangegeven trillingswaarde kan worden gebruikt in een voorlopige blootstellingsanalyse.

De trillingsemissie tijdens het gebruik van het werktuig kan verschillen van de aangegeven totale waarde, afhankelijk van de manier waarop het werktuig wordt gebruikt.

Neem veiligheidsmaatregelen om uzelf te beschermen op basis van een inschatting van de blootstelling in de huidige gebruiksomstandigheden, rekening houdend met alle onderdelen van de bedrijfscyclus, zoals de tijd dat het werktuig wordt uitgeschakeld en het stationair draait, bovenop de bedrijfstijd.

PT Nivel de vibração

O valor de vibração declarado foi medido com um método de teste padrão e pode ser usado para comparar uma ferramenta com outra.

O valor de vibração declarado pode ser utilizado numa avaliação preliminar da exposição.

A emissão das vibrações durante o uso real da ferramenta eléctrica pode diferir do valor total declarado segundo o uso que se der à ferramenta.

Identifique as medidas de segurança para se proteger com base numa estimativa de exposição nas actuais condições de uso, tendo em conta todas as peças do ciclo de funcionamento, como as vezes que a ferramenta é desligada e quando está a trabalhar em ralentí para além do tempo de gatilho.

DA Vibrationsniveau

Den erklærede vibrationsværdi er målt i henhold til en standard-testmetode og kan bruges til at sammenligne forskellige værktøjer indbyrdes.

Den erklærede vibrationsværdi kan bruges som en foreløbig vurdering af eksponeringen.

Vibrationsemissionen ved praktisk brug af elværktøjet kan variere fra den erklærede totalværdi, alt efter hvordan værktøjet anvendes.

Træf passende sikkerhedsforanstaltninger for at beskytte dig selv ud fra den skønnede eksponering for risici under de aktuelle anvendelsesforhold, hvor du - ud over den effektive arbejdstid - også tager højde for de varierende perioder, som fx når værktøjet er slukket, og når det kører i tomgang.





SV Vibrationsnivå

Det angivna vibrationsvärdet har uppmätts med en standardmetod och kan användas för att jämföra med andra kraftverktyg.

Det angivna vibrationsvärdet kan användas i en preliminär analys av vibrationerna som användaren utsätts för.

De vibrationer som uppstår vid användningen av el-verktyget kan skilja sig från det uppgivna totalvärdet beroende på det sätt som verktyget används på.

Vidtag säkerhetsåtgärder för ditt personliga skydd utifrån den exponering som sker under användningen, ta hänsyn till all användning som då verktyget är avstängt och när det går på tomgång förutom den faktiska brukstiden.

PL Poziom drgań

Deklarowany poziom drgań został zmierzony za pomocą standardowej metody pomiaru i jego wyniki mogą służyć do porównywania tego urządzenia z innymi. Deklarowana wartość drgań może służyć do wstępnej oceny narażenia operatora na wibracje.

Emisja drgań podczas użytkowania elektronarzędzi może różnić się od zadeklarowanej wartości, w zależności od sposobu użytkowania urządzenia.

Określić zasady bezpieczeństwa, oparte na oszacowaniu narażenia operatora w rzeczywistych warunkach użytkowania, uwzględniając wszystkie elementy cyklu operacyjnego, takie jak czasy wyłączenia oraz czasy pracy bez obciążenia, oprócz czasu pracy przy wciśniętym przycisku uruchamiania.

FI Tärinätaso

Ilmoitettu tärinäarvo on mitattu tavallisin testimenetelmin, ja sitä voidaan käyttää verrattaessa laitetta toiseen.

Ilmoitettua tärinäarvoa voidaan käyttää arvioitaessa tärinävaikutusta.

Sähkötyökälun todellisen käytön aikainen tärinä saattaa poiketa ilmoitetusta kokonaisarvosta, laitteen käyttötavasta riippuen.

Määritä käyttäjän suojakeinot, jotka perustuvat todellisten käyttöolosuhteiden tärinävaikutusarvioon, ottaen huomioon kaikki käyttöjakson osat, kuten ajan, jonka laite on sammuksissa ja käy tyhjäkäynnillä, varsinaisen sahausajan lisäksi.

CS Úroveň vibrací

Uznaná hodnota vibrací byla naměřena pomocí standardního testovacího postupu a lze ji použít k porovnání s jiným nástrojem.

Uznaná hodnota vibrací se může používat k předběžnému odhadu vystavování vibracím.

Aktuální hodnoty vibrací během používání nástroje se mohou lišit od výše uvedených a mohou se lišit dle použitého nástroje.

Určete bezpečnostní opatření pro vlastní ochranu, která jsou založena na odhadu vystavení v aktuálních podmínkách používání, popisu všech částí pracovního cyklu jako doby, kdy je nástroj vypnut a když běží naprázdno, kromě doby spuštění.

NO Vibrasjonsnivå

Den oppgitte vibrasjonsverdien er målt med en standard testmetode og kan benyttes for å sammenligne ett verkøy med et annet.

Den oppgitte vibrasjonsverdien kan benyttes for en foreløpig angivelse av eksponering.

Vibrasjonene ved faktisk bruk av et elektrisk verkøy kan skille seg fra oppgitte totalverdier avhengig av måten verktøyet brukes på.

Identifiser sikkeringstiltak som beskytter deg selv, basert på et anslag for eksponering i den faktiske brukssituasjonen der man tar hensyn til alle brukssykluse, som tidspunktet da maskinen ble slått av og når den går på tomgang i tillegg til tiden når verktøyet arbeider.

HU Vibrációs szint

A megadott vibrációs érték szabványos tesztmódszerrel lett meghatározva, és két szerszám összehasonlításakor is használható.

A megadott vibrációs érték a vibrációnak való kitettség előzetes becsüléséhez is felhasználható.

A vibráció-kibocsátás a szerszámgep tényleges használat során eltérhet a nyilatkozatban szereplő teljes értéktől; ez függ a gép használatának módjától.

Határozza meg a saját védelméért szolgáló övintézkedéseket az adott használati körülmények között érvényes kitettség felmérésével, figyelembe véve a használat teljes időtartamát, vagyis beleértve azokat az időszakokat, amikor a gép ki van kacsolva, vagy bekapcsolts állapotban üresjárásban működik.

RU Уровень вибрации

Заявленная величина вибрации измерялась в соответствии со стандартной методикой проведения испытаний и может использоваться для сравнения одного инструмента с другим.

Заявленная величина вибрации может использоваться при предварительной оценке характеристик.

Уровень вибрации при работе электронного инструмента может отличаться от заявленной общей величины вибрации в зависимости от условий его использования.

Выберите средства защиты оператора с учетом реальных условий эксплуатации, принимая во внимание все факторы рабочего цикла, такие как время, в течение которого инструмент был выключен, и время его работы в холостом режиме.

RO Nivelul vibrațiilor

Valoarea declarată a vibrațiilor a fost măsurată cu o metodă de testare standard și poate fi utilizată pentru a compara o unealtă cu alta.

Valoarea declarată a vibrațiilor poate fi utilizată într-o evaluare preliminară a expunerii.

Emisia de vibrații în timpul folosirii efective a unelei electrice poate diferi de valoarea totală declarată în funcție de modulele în care este utilizată unealta.

Identificați măsurile de siguranță pentru a vă proteja, pe baza estimării expunerii la condițiile efective de utilizare, luând în considerare toate etapele ciclului de operare, precum momentele în care unealta este oprită și atunci când funcționează în gol, suplimentar momentului declanșării.





LV Vibrācijas līmenis

Nosauktais vibrācijas līmenis ir ticis izmērīts ar standarta pārbaudes metodi un var tikt izmantots, lai salīdzinātu vienu instrumentu ar citu.

Nosauktā vibrācijas vērtība var tikt izmantota sākotnējās iedarbības novērtējumam.

Elektroinstrumenta vibromesija reālā darba laikā var atšķirties no norādītās kopējās vērtības atkarībā no veidiem, kā instruments tiek lietots.

Nosakiet drošības pasākumus, lai sevi aizsargātu, balstoties uz saskares ilguma novērtējumu atbilstoši lietošanas apstākļiem, ņemot vērā visas lietošanas cikla daļas, tostarp laikus, kad instruments tiek izslēgts un kad tas darbojas tukšgaitā papildus darbināšanas laikam.

LT Vibracijos lygis

Deklaruotas vibracijos lygis yra išmatuotas standartinio testo metu ir gali būti naudojamas vieno įrankio su kitu palyginimui.

Deklaruotas vibracijos lygis gali būti naudojamas preliminariam pavojaus įvertinimui.

Elektrinio įrankio naudojimo metu vibracijos lygis gali skirtis nuo deklaruotos bendrosios vertės pagal įrankio naudojimo būdus.

Nustatykite saugumo priemones, kad apsisaugotumėte, kurios pagrįstos pavojaus įvertinimu pačiose naudojimo sąlygose, atkreipiant dėmesį į visas darbo ciklo dalis, pvz. laikotarpį, kai įrankis yra išjungtas ir kai veikia tuščiaja eiga bei perjungimo laiką.

ET Vibratsioonitase

Deklareeritud vibratsiooniväärtus on mõõdetud standardse testimismeetodiga ja seda võib kasutada tööriistade omavaheliseks võrdlemiseks.

Deklareeritud vibratsiooniväärtust võib kasutada mürataseme eelhindamiseks.

Olenevalt seadme kasutusviisist võib mehaanilise tööriista töötamisel ilmneva vibratsioonimissioon, mille suurus erineb deklareeritud väärtustest.

Kasutaja kaitsmiseks seadmega töötamisel tuleb kindlaks teha turvameetmed, mis põhinevad tegelikes kasutustingimustes esinevale vibratsioonile, sealjuures tuleb arvesse võtta kõiki töötsükli osi, lisaks sisselülitatud olekule näiteks ka vibratsiooni väljalülitamise ajal ja tühikäigul.

HR Razina vibracije

Objavljena vrijednost vibracija je izmjerena standardnom metodom testiranja i može se koristiti za usporedbu jednog alata s drugim.

Objavljena vrijednost vibracija može se koristiti u početnom usklađivanju izloženosti.

Razina vibracija tijekom trenutačne uporabe AKU alata može se razlikovati od deklarirane ukupne vrijednosti ovisno o načinima na koje se alat koristi.

Identificirajte sigurnosne mjere za svoju zaštitu na temelju procjene izloženosti u trenutim uvjetima korištenja, uzevši u obzir sve dijelove radnog ciklusa kao što su vrijeme kada je alat isključen i kada je pokrenut u praznom hodu u dodatku vremenu pokretanja.

SL Raven vibracij

Navedena vrednost vibracij je bila izmerjena s standardno metodo testiranja in se lahko uporabi za primerjavo različnih orodij.

Navedena vrednost vibracij se lahko uporabi za predhodne ocene izpostavljenosti.

Emisije med dejansko uporabo električnega orodja se od navedene vrednosti lahko razlikujejo, odvisno od načina, kako se orodje uporablja.

Ugotovite varnostne ukrepe za zaščito upravljalca, ki temeljijo na oceni izpostavljenosti v dejanskih pogojih uporabe, pri tem pa je treba upoštevati vse dele delovnega cikla – npr. ko je orodje izključeno in ko je v prostem teku in čas zagona.

SK Úroveň vibrácií

Deklarovaná hodnota vibrácií bola meraná podľa štandardnej testovacej metódy a možno ju používať na porovnanie jedného nástroja s iným.

Deklarovaná hodnota vibrácií sa dá použiť aj v predbežnom odhade expozície.

Úroveň emisii počas samotného používania elektrického nástroja sa môže líšiť od deklarovanej celkovej hodnoty v závislosti od toho, ktorý nástroj sa používa.

Identifikujte bezpečnostné opatrenia na vašu ochranu ne základe posúdenia skutočných podmienok použitia, pričom vezmite do úvahy všetky časti prevádzkového cyklu, napríklad časov, kedy je nástroj vypnutý a kedy pracuje na voľnobehu okrem času spúšťania.

BG Ниво на вибрация

Посочената стойност за вибрациите е измерена с помощта на стандартен тест и може да се използва за сравнение с друг инструмент.

Посочената стойност за вибрациите може да бъде използвана в предварително оценяване за излагане на вибрация.

Вибрациите по време на действителната употреба на електромеханичния инструмент може да се различават от обявената обща стойност в зависимост от начините, по които се използва инструментът.

Определете мерки за безопасност за собствена защита според преценка за излагането на вибрация в реални условия, като се вземат предвид всички елементи на работния цикъл, като например времето, в което инструментът е изключен и когато работи на празен ход, както и времето за задействане.

UK Рівень вібрації

Оголошена цінність вібрації було виміряно за допомогою стандартного методу випробування і може бути використаний для порівняння одного інструмента з іншим.

Він може бути використаний для попередньої оцінки впливу.

Вібраційного впливу при використанні електроінструменту може відрзнятися від заявленого загальної вартості залежно від способів, в яких використовується інструмент.

Визначити заходи безпеки, щоб захистити себе на основі оцінки впливу в реальних умовах використання, з урахуванням всіх частин робочого циклу, такий як час, коли інструмент вимкнений, і коли він працює в холостому режимі на додаток до часу запуску.



EN GUARANTEE

In addition to any statutory rights resulting from the purchase, this product is covered by a guarantee as stated below.

1. The guarantee period is 24 months for consumers and commences on the date when the product was purchased. This date has to be documented by an invoice or other proof of purchase. The product is designed and dedicated to consumer and private use only. So there is no guarantee provided in case of professional or commercial use.
2. There is, in some cases (i.e. promotion, range of tools), a possibility to extend the warranty period over the period described above using the registration on the www.ryobitools.eu website. The eligibility of the tool is clearly displayed in stores and/or on packaging. The end user needs to register his/her newly-acquired tools online within 8 days from the date of purchase. The end user may register for the extended warranty in his country of residence if listed on the online registration form where this option is valid. Furthermore, end users must give their consent to the storage of the data which are required to enter online and they have to accept the terms and conditions. The registration confirmation receipt, which is sent out by e-mail, and the original invoice showing the date of purchase will serve as proof of the extended warranty. Your statutory rights remain unaffected.
3. The guarantee covers all defects of the product during the warranty period due to defaults in workmanship or material at the purchase date. The guarantee is limited to repair and/or replacement and does not include any other obligations including but not limited to incidental or consequential damages. The warranty is not valid if the product has been misused, used contrary to the instruction manual, or being incorrectly connected. This guarantee does not apply to
 - any damage to the product that is the result of improper maintenance
 - any product that has been altered or modified
 - any product where original identification (trade mark, serial number) markings have been defaced, altered or removed
 - any damage caused by non-observance of the instruction manual
 - any non CE product
 - any product which has been attempted to be repaired by an non-qualified professional or without prior authorization by Techtronic Industries
 - any product connected to improper power supply (amps, voltage, frequency)
 - any product used with inappropriate fuel mixture (fuel, oil, percentage of oil)
 - any damage caused by external influences (chemical, physical, shocks) or foreign substances
 - normal wear and tear of spare parts
 - inappropriate use, overloading of the tool
 - use of non-approved accessories or parts
 - carburettor after 6 months, carburettor adjustments after 6 months
 - components (parts and accessories) subject to natural wear and tear, including but not limited to bump knobs, drive belts, clutch, blades of hedge trimmers or lawn mowers, harness, cable throttle, carbon brushes, power cord, tines, felt washers, hitch pins, blower fans, blower and vacuum tubes, vacuum bag and straps, guide bars, saw chains, hoses, connector fittings, spray nozzles, wheels, spray wands, inner reels, outer spools, cutting lines, spark plugs, air filters, gas filters, mulching blades, etc.
4. For servicing, the product must be sent or presented to a RYOBI authorized service station listed for each country in the following list of service station addresses. In some countries your local RYOBI dealer undertakes to send the product to the RYOBI service organisation. When sending a product to a RYOBI service station, the product should be safely packed without any dangerous contents such as petrol, marked with sender's address and accompanied by a short description of the fault.
5. A repair/replacement under this guarantee is free of charge. It does not constitute an extension or a new start of the guarantee period. Exchanged parts or tools become our property. In some countries delivery charges or postage will have to be paid by the sender.
6. This guarantee is valid in the European Community, Switzerland, Iceland, Norway, Liechtenstein, Turkey and Russia. Outside these areas, please contact your authorized RYOBI dealer to determine if another warranty applies.

AUTHORISED SERVICE CENTRE

To find an authorised service centre near you, visit <http://uk.ryobitools.eu/header/service-and-support/service-agents>.

FR GARANTIE

En plus des droits statutaires liés à l'achat, ce produit est couvert par une garantie telle que décrite ci-dessous.

1. La durée de la garantie accordée au consommateur est de 24 mois à partir de la date d'achat. Cette date doit être authentifiée par une facture ou tout autre preuve d'achat. Le produit a été conçu en vue d'une utilisation strictement privée. Aucune garantie ne s'applique donc en cas d'utilisation professionnelle ou commerciale.
2. Il existe, dans certains cas (par exemple promotion, gamme d'outils), une possibilité d'étendre la période de garantie au-delà de la période précédemment décrite en utilisant le formulaire d'enregistrement présent sur le site Internet www.ryobitools.eu. L'éligibilité d'un outil est clairement affichée dans les points de vente et/ou sur l'emballage. L'utilisateur final doit enregistrer son/ses outil(s) nouvellement acheté(s) en ligne dans les 8 jours qui suivent la date d'achat. L'utilisateur a la possibilité de s'enregistrer pour l'extension de garantie dans son pays de résidence si celui-ci est listé dans le formulaire d'enregistrement en ligne où cette option est valide. L'utilisateur final doit donner son consentement pour l'enregistrement des données requises pour accéder au site et doit accepter les termes et conditions. La confirmation d'enregistrement, envoyée par courrier électronique, ainsi que la facture originale mentionnant la date d'achat serviront de preuve de l'extension de garantie. Vos droits statutaires restent inchangés.
3. La garantie couvre les défauts des pièces et de main d'oeuvre du produit pendant la période de garantie à partir de la date d'achat. La garantie n'inclut aucune autre obligation, tel que, mais sans s'y limiter, les dommages accessoires ou indirects. La garantie est non valable en cas de mauvaise utilisation du produit, d'utilisation contraire aux instructions du mode d'emploi, ou en cas de branchement incorrect. Cette garantie ne s'applique pas pour :
 - tout dommage au produit résultant d'un mauvais entretien
 - tout produit ayant été altéré ou modifié
 - tout produit dont les marquages originaux d'identification (marque, numéro de série) ont été dégradés, altérés ou retirés
 - tout dommage causé par le non-respect des instructions du mode d'emploi
 - tout produit non CE
 - tout produit ayant subi une tentative de réparation par du personnel non qualifié ou sans autorisation préalable de Techtronic Industries
 - tout produit raccordé à une alimentation secteur non conforme (ampérage, voltage, fréquence)
 - tout produit utilisé avec un mélange inapproprié (essence, huile, pourcentage d'huile)
 - tout dommage causé par des influences extérieures (chimiques, physiques, chocs) ou par des substances étrangères
 - l'usure normale des pièces consommables
 - une utilisation inappropriée, une surcharge de l'outil
 - l'utilisation de pièces ou accessoires non agréés
 - les carburateurs après plus de 6 mois à compter de la date d'achat, également les réglages du carburateur après plus de 6 mois à compter de la date d'achat
 - les composants (pièces et accessoires) sujets à une usure naturelle, incluant de façon non exhaustive les têtes de fil à frapper, les courroies de transmission, les embrayages, les lames des taille-haies ou des tondeuses à gazon, les harnais, les câbles d'accélérateur, les charbons, les cordons d'alimentation, les fraises de cultivateurs, les rondelles feutre, les goupilles de fraise, les turbines et lame de broyage des souffleurs, les tubes de soufflage et d'aspiration des souffleurs, les sacs de souffleurs et leurs lanières, les guides-chaîne, les chaînes de tronçonneuses, les tuyaux et raccords, les buses et lances de nettoyeurs haute pression, les roues, les recharges de fil des têtes de coupe, les têtes de coupe, le fil de coupe, les bougies d'allumage, les filtres à air, les filtres à essence, etc.
4. Si le produit doit être réparé, envoyez-le à un service après-vente agréé RYOBI dont vous trouverez ci-dessous la liste pour chaque pays. Dans certains pays, votre revendeur RYOBI se chargera d'envoyer le produit à un centre de réparation RYOBI. Lorsque vous envoyez un produit à un service après-vente RYOBI, celui-ci doit être correctement emballé, sans contenir aucun produit dangereux tel que de l'essence, et vous devez indiquer votre adresse ainsi qu'une courte description du problème.
5. Une réparation / un remplacement sous garantie est gratuit(e). Ceci ne constituera pas une extension de garantie ni un nouveau départ de la période de garantie. Les pièces ou les outils remplacés deviennent notre propriété. Dans certains pays, les frais de port devront être assumés par l'expéditeur.
6. Cette garantie est valable au sein de l'Europe, de la Suisse, de l'Islande, de la Norvège, du Liechtenstein, de la Turquie, de la Russie. En dehors de ces zones, veuillez contacter votre distributeur agréé RYOBI pour déterminer si une autre garantie s'applique.

SERVICE APRÈS-VENTE AGRÉÉ

Pour trouver le service après-vente agréé le plus proche, rendez-vous sur <http://fr.ryobitools.eu/header/service-and-support/service-agents>.

DE GARANTIE

Zusätzlich zu den aufgrund des Kaufs entstehenden gesetzlichen Rechten, ist dieses Produkt von der unten aufgeführten Garantie abgedeckt.

- Die Garantiezeit für Endverbraucher beträgt 24 Monate für und beginnt ab dem Kaufdatum des Produktes. Dieses Datum muss durch eine Rechnung oder einen anderen Kaufbeleg dokumentiert sein. Das Produkt ist ausschließlich für den Privatgebrauch entwickelt und bestimmt. Deshalb wird keine Garantie im Fall von professionellem oder kommerziellem Einsatz angeboten.
- In einigen Fällen (z.B. Promotion, auf eine bestimmte Produktpalette oder auf bestimmte Produkte begrenzt) besteht die Möglichkeit die Garantiezeit über den oben genannten Zeitraum, durch Registrierung auf der Webseite www.ryobitools.eu, zu verlängern. Der verlängerte Garantieanspruch für ein bestimmtes Produkt wird deutlich in den Geschäften und/oder auf der Verpackung des Produktes gezeigt. Der Endverbraucher muss seine neu gekauften Produkte innerhalb von 8 Tagen ab Kaufdatum registrieren. Der Endverbraucher kann sich für die erweiterte Garantie im Land seines permanenten Wohnsitzes registrieren, wenn diese Möglichkeit in dem Online-Formular gegeben ist. Des weiteren müssen die Endverbraucher ihr Einverständnis zur Speicherung der online angegebenen Daten geben und die Geschäftsbedingungen annehmen. Die per E-Mail verschickte Bestätigung der Registrierung und die Originalrechnung mit Kaufdatum dienen als Nachweis für die verlängerte Garantie. Ihre gesetzlichen Rechte bleiben unangetastet.
- Die Garantie deckt während der Garantiezeit ab Kaufdatum alle Produktmängel aufgrund von Material- oder Herstellungsmängeln ab. Diese Garantie ist auf Reparatur und/oder Ersatz beschränkt und enthält keine weiter Verpflichtungen einschließlich aber nicht beschränkt auf beiläufige oder resultierende Schäden. Die Garantie ist nicht gültig, wenn das Produkt missbräuchlich oder entgegen der Bedienungsanleitung benutzt, oder falsch angeschlossen wurde. Diese Garantie gilt nicht für:
 - Jegliche Schäden die an dem Produkt aufgrund falscher Wartung entstehen.
 - Jedes Produkt das verändert oder modifiziert wurde.
 - Jedes Produkt an dem die originale Identifizierung (Markenzeichen, Seriennummer) verunstaltet, verändert oder entfernt wurden.
 - Jede Beschädigung die durch Nichtbeachtung der Bedienungsanleitung verursacht wurde.
 - Jedes Produkt ohne CE Zeichen.
 - Jedes Produkt das von einer unqualifizierten Person oder ohne vorherige Genehmigung von Techtronic Industries versucht wurde zu reparieren.
 - Jedes Produkt das an eine falsche Stromversorgung (Ampere, Spannung, Frequenz) angeschlossen wurde.
 - Jedes Produkt das mit einer falschen Treibstoffmischung (Treibstoff, Öl, Prozentanteil von Öl) betrieben wurde.
 - Jede Beschädigung die von äußeren Einflüssen (chemisch, physisch, Stöße) oder fremden Substanzen verursacht wurde.
 - Normaler Verschleiß und Abnutzung von Ersatzteilen.
 - Zweckwidrige Benutzung, Überlastung des Werkzeugs.
 - Benutzung von nicht zugelassenem Zubehör oder Teilen.
 - Den Vergaser nach 6 Monaten, die Vergasereinstellung nach 6 Monaten.
 - Teile (Teile und Zubehörteile) die normalem Verschleiß unterliegen, einschließlich aber nicht beschränkt auf Fadenköpfe, Antriebsriemen, Kupplungen, Klingen von Heckenschneidern oder Rasenmähern, Gurtzeug, Gaszügen, Kohlebürsten, Netzkabel, Zinken, Filzunterlegscheiben, Anhangsstifte, Gebläse, Gebläse- und Saugschläuche, Saugbeutel und Riemen, Führungsschienen, Sägeketten, Schläuche, Anschlüsse, Sprühdüsen, Räder, Sprühdüsen, innere Rollen, äußere Spulen, Schneidfäden, Zündkerzen, Luftfilter, Treibstofffilter, Mulchmesser usw.
- Zur Wartung muss das Produkt eingeschickt werden oder einem für jedes Land in der folgenden Liste aufgeführten autorisierten RYOBI Kundendienst gebracht werden. In einigen Ländern schickt Ihr örtlicher RYOBI Händler das Produkt an den RYOBI Kundendienst. Wenn ein Produkt an den RYOBI Kundendienst geschickt wird, sollte es sicher verpackt werden, ohne gefährlichen Inhalt, wie Treibstoff, mit der Absenderadresse versehen sein und eine kurze Beschreibung des Fehlers enthalten.
- Reparatur/Ersatz unter dieser Garantie sind kostenfrei. Das stellt keine Verlängerung oder Neustart der Garantiezeit dar. Ausgewechselte Teile oder Werkzeuge treten in unseren Besitz über. In einigen Ländern müssen Lieferkosten oder Postgebühren von dem Absender getragen werden.
- Diese Garantie gilt in der Europäische Gemeinschaft, Schweiz, Island, Norwegen, Liechtenstein, Türkei und Russland. Bitte kontaktieren Sie Ihren autorisierten RYOBI-Händler, um herauszufinden ob eine andere Gewährleistung außerhalb dieser Gebiete gültig ist.

AUTORISIERTER KUNDENDIENST

Besuchen Sie <http://de.ryobitools.eu/header/service-and-support/service-agents>, um einen autorisierten Kundendienst in Ihrer Nähe zu finden.

ES GARANTÍA

Además de cualquier derecho estatutario derivado de la compra, este producto está cubierto con la siguiente garantía.

- El período de garantía es de 24 meses para los consumidores y comienza a partir de la fecha de compra del producto. Esta fecha debe demostrarse con una factura u otra prueba de compra. El producto está diseñado y destinado al consumidor y únicamente para uso privado. Por tanto, no se ofrece ninguna garantía en caso de uso profesional o comercial.
- En algunos casos (como promociones o un conjunto de herramientas) existe la posibilidad de ampliar el período de garantía hasta el período descrito anteriormente mediante el registro en el sitio web www.ryobitools.eu. La elegibilidad de la herramienta se muestra claramente en las tiendas o en el embalaje. El usuario final debe registrar sus herramientas recién adquiridas en línea en los 8 días siguientes a la fecha de compra. El usuario final podrá registrarse para ampliar la garantía en su país de residencia si éste aparece en el formulario de registro en línea en que esta opción es válida. Además, los usuarios finales deben dar su consentimiento para que se guarden los datos que se solicitan para entrar en línea y aceptar los términos y condiciones. El recibo de la confirmación de registro, que se enviará por correo electrónico, y la factura original que muestre la fecha de compra servirán como prueba de la ampliación de la garantía. Sus derechos estatutarios permanecerán intactos.
- La garantía cubre, durante el período de garantía, todos los defectos del producto que se deban a fallos de la mano de obra o a fallos del material en la fecha de compra. La garantía tiene un límite de reparación o sustitución y no incluye ninguna otra obligación se deba a, aunque sin limitarse a ello, daños accidentales o incidentales. La garantía no es válida si se ha hecho un uso inadecuado del producto, si no se ha usado siguiendo el manual de instrucciones o si se ha conectado incorrectamente. Esta garantía no se aplica a:
 - cualquier daño del producto derivado de un mantenimiento inadecuado
 - cualquier producto que haya sido alterado o modificado
 - cualquier producto en el que las marcas de identificación originales (marca comercial, número de serie) hayan sido borradas, modificadas o eliminadas
 - cualquier daño causado por el incumplimiento del manual de instrucciones
 - cualquier producto que no sea CE
 - cualquier producto que haya intentado reparar un profesional no cualificado o sin una autorización previa de Techtronic Industries
 - cualquier producto conectado a un suministro eléctrico inadecuado (amperios, tensión, frecuencia)
 - cualquier producto utilizado con una mezcla de combustible inadecuada (combustible, aceite, porcentaje de aceite)
 - cualquier daño causado por influencias externas (de productos químicos, daños físicos, descarga eléctrica) o sustancias extrañas
 - desgaste o rotura normal de las piezas de repuesto
 - uso inadecuado, sobrecarga de la herramienta
 - uso de accesorios o piezas no homologados
 - carburador después de 6 meses, ajustes del carburador después de 6 meses
 - componentes (piezas y accesorios) sujetos a un desgaste o rotura natural, incluyendo, aunque sin limitarse a ello, las perillas de las bombas, correas de transmisión, embrague, cuchillas de cortasetos o cortacéspedes, arnés, acelerador, escobillas de carbón, cable de alimentación, horquillas, arandelas de fieltro, pasadores de enganche, ventiladores, tubos de ventilador y de vacío, correas y bolsas de vacío, barras de guía, sierras de cadena, mangueras, accesorios de conexión, boquillas pulverizadoras, ruedas, varas rioradoras, carretes interiores y exteriores, hilos de corte, bujías, filtros de aire, filtros de gas, cuchillas de trituración, etc.
- Para el servicio, el producto debe enviarse o entregarse en un punto de servicio técnico autorizado RYOBI enumerado para cada país en la siguiente lista de direcciones de servicio técnico. En algunos países su distribuidor local RYOBI se encarga de enviar el producto a la organización del servicio de RYOBI. Al enviar un producto a un punto de servicio técnico RYOBI, el producto debe embalarse de forma segura sin que contenga ninguna sustancia peligrosa como petróleo, debe llevar la dirección del remitente e ir acompañado de una breve descripción del fallo.
- Una reparación/sustitución dentro de esta garantía se realiza de forma gratuita. No constituye una ampliación ni un reinicio del período de garantía. Las piezas o herramientas que se cambian pasan a ser de nuestra propiedad. En algunos países los gastos de envío o del franqueo deberá pagarlos el remitente.
- Esta garantía es válida en la Comunidad Europea, Suiza, Islandia, Noruega, Liechtenstein, Turquía y Rusia. Fuera de estas zonas, póngase en contacto con su distribuidor autorizado RYOBI para determinar si se aplica otra garantía.

SERVICIO TÉCNICO AUTORIZADO

Para encontrar el servicio técnico autorizado más cercano, visite <http://uk.ryobitools.eu/header/service-and-support/service-agents>.

IT GARANZIA

Oltre ai legittimi diritti derivanti dall'acquisto del prodotto, quest'ultimo è coperto da garanzia come indicato nei seguenti punti.

1. Il periodo di garanzia per il consumatore è di 24 mesi ed ha inizio dalla data in cui il prodotto è stato acquistato. Questa data deve essere documentata da una ricevuta o da altra prova d'acquisto. Il prodotto è stato disegnato e progettato solo per l'utilizzo privato del consumatore. La garanzia viene invalidata in caso di utilizzo professionale o commerciale.
2. In alcuni casi (per esempio promozioni e gamme di prodotti) esiste la possibilità di estendere il periodo di garanzia oltre il periodo indicato sopra registrandosi sul sito web www.ryobitools.eu. L'idoneità del prodotto a rievolvere tale estensione viene indicata chiaramente nei punti vendita e/o sull'imballo. L'utente finale deve registrare il suo prodotto appena acquistato online entro 8 giorni dalla data d'acquisto. L'utente finale può accedere all'offerta nel suo paese quando la stessa è valida e qualora si sia registrato online. Inoltre, gli utenti finali devono dare il proprio consenso all'archiviazione dei dati che si inseriscono online indicando che i termini e le condizioni sono stati accettati. La ricezione della conferma della registrazione verrà inviata via email e la fattura originale indicante la data d'acquisto verrà utilizzata come prova della garanzia estesa. I diritti legittimi dell'utente rimarranno invariati.
3. La garanzia copre tutti i difetti di fabbricazione del prodotto durante il periodo di garanzia a causa di guasti di fabbricazione o di materiale alla data di acquisto. La garanzia è limitata alla riparazione e/o alla sostituzione e non include altri obblighi compreso ma non limitato a danni incidentali o consequenziali. La garanzia non è valida se il prodotto non è stato utilizzato come indicato nel manuale di istruzioni o se è stato collegato in maniera non corretta. La garanzia non si applica a:
 - qualsiasi danno al prodotto che sia il risultato di una scorretta manutenzione
 - qualsiasi prodotto che sia stato alterato o modificato
 - qualsiasi prodotto sul quale l'identificazione originale (marchio registrato, numero di serie) sia stata resa illegibile, sia stata danneggiata o alterata
 - qualsiasi danno causato dalla non osservanza del manuale d'istruzioni
 - qualsiasi prodotto non contrassegnato con il marchio CE
 - qualsiasi prodotto che una persona non qualificata abbia tentato di riparare o che si è tentato di riparare senza l'autorizzazione delle Techtronisianoc Industries
 - qualsiasi prodotto collegato a un'alimentazione non corretta (per amp, voltaggio, frequenza)
 - qualsiasi prodotto utilizzato con la miscela scorretta di carburante (carburante, olio, percentuale d'olio)
 - qualsiasi danno causato da agenti esterni (chimici, fisici o shock) o da sostanze estranee
 - normale usura di parti di ricambio
 - utilizzo non appropriato, sovraccaricamento di utensili
 - utilizzo non approvato di accessori o parti
 - carburatore dopo 6 mesi, regolazioni al carburatore dopo 6 mesi
 - componenti (parti e accessori) soggetti alla normale usura, compreso ma non limitato a manopole di avviamento a spinta, cinghie di trasmissione, frizione, lame di sfondatori o tagliaerba, cablaggio, cavo dell'acceleratore, spazzole al carbonio, cavi dell'alimentazione, lancette, rondelle in feltro, perni di aggancio, ventole del soffiatore, tubi del soffiatore e dell'aspirapolvere, sacchetti e cinghie dell'aspirapolvere, barre di guida, catene della motosega, tubi, raccordi del connettore, ugelli a spruzzo, ruote, bacchette a spruzzo, bobine interne, bobine esterne, fili di taglio, candele, filtri dell'aria, filtri del gas, lame di triturazione, ecc.
4. Per servizi di manutenzione, il prodotto dovrà essere mandato o presentato presso un punto di servizio clienti autorizzato RYOBI indicato nella seguente lista. In alcune nazioni il rivenditore RYOBI si occuperà di inviare il prodotto al più vicino servizio clienti Ryobi. Quando si invia un prodotto a un servizio clienti RYOBI, il prodotto dovrà essere correttamente imballato senza eventuali contenuti pericolosi quali carburanti, e contrassegnato con l'indirizzo della persona che lo ha inviato e accompagnato da una breve descrizione del problema riscontrato.
5. Si garantisce una riparazione/sostituzione gratuita quando il prodotto è coperto da garanzia. Questa sostituzione o riparazione non costituisce una estensione o un nuovo inizio di un periodo di garanzia. Le parti o l'utensile cambiati sono di proprietà della ditta. In alcune nazioni i costi di consegna o invio dovranno essere pagati dalla persona che spedisce.
6. Questa garanzia è valida all'interno della Comunità Europea, in Svizzera, Islanda, Norvegia, Liechtenstein, Turchia e Russia. Al di fuori di queste aree, si prega di contattare il proprio gestore autorizzato RYOBI per determinare se si applica un'altra garanzia.

CENTRO SERVIZI AUTORIZZATO

Per individuare il più vicino centro servizi autorizzato, visitare il sito <http://uk.ryobitools.eu/header/service-and-support/service-agents>.

NL GARANTIE

Bovenop de statutaire rechten als gevolg van de aankoop, wordt dit product gedekt door een garantie, zoals deze hieronder wordt beschreven.

1. De garantieperiode bedraagt 24 maanden voor consumenten en begint vanaf de datum waarop het product werd aangekocht. Deze datum moet worden gedocumenteerd door een factuur of ander aankoopbewijs. Het product is uitsluitend ontworpen en bedoeld voor particuliere gebruikers. De garantie vervalt bij professioneel of commercieel gebruik.
2. In enkele gevallen (vb. promotie, gereedschapsaanbod) bestaat er een mogelijkheid om de garantieperiode te verlengen met dezelfde periode als deze hierboven beschreven met behulp van de registratie op de website www.ryobitools.eu. Of het product al of niet in aanmerking komt, is duidelijk aangegeven in winkels en/of de verpakking. De eindgebruiker dient zijn/haar nieuw werktuig binnen de 8 dagen na de aankoopdatum online registreren. De eindgebruiker kan zich aanmelden voor de uitgebreide garantie in zijn verblijfsland als dit op het online registratieformulier is opgenomen wanneer deze optie geldig is. Bovendien moet de eindgebruiker zijn toestemming geven om informatie te gebruiken die nodig is om toegang te krijgen tot de website en dient de algemene voorwaarden te accepteren. Het ontvangstbewijs van dit registratieformulier, dat via e-mail wordt verzonden, en de originele factuur die de aankoopdatum vermeldt dienen als bewijs van de uitgebreide garantie. Uw statutaire rechten blijven onveranderd.
3. De garantie dekt alle defecten van het product gedurende de garantieperiode als gevolg van fouten in het werk of materiaal op de aankoopdatum. De garantie is beperkt tot de reparatie en/of vervanging en omvat geen andere verplichtingen waaronder, maar niet beperkt tot, incidentele of gevolgschade. De garantie is niet geldig als het product werd misbruikt, in tegenspraak met de gebruiksaanwijzing werd gebruikt of foutief werd verbonden. Deze garantie geldt niet voor:
 - schade aan het product als gevolg van foutief onderhoud
 - als het product op enigerlei wijze werd gewijzigd
 - als originele markeringen ter identificatie (handelsmerk, serienummer) van het product werden verwijderd of gewijzigd
 - voor schade als gevolg van het niet in acht nemen van deze gebruiksaanwijzing
 - een niet EC-product
 - een product, waaraan een niet-gekwalificeerde vakman reparaties uitvoerde of waaraan reparaties werden uitgevoerd zonder voorafgaande toestemming van Techtronic Industries
 - een product dat werd aangesloten aan een foutieve krachtbron (amps, spanning, frequentie)
 - een product dat met een ongeschikt brandstofmengsel (brandstof, olie, oliepercentage) werd gebruikt
 - schade veroorzaakt door externe invloeden (chemische, fysieke schokken) of vreemde stoffen
 - normale slijtage van reserve-onderdelen
 - foutief gebruik, overbelasting van het werktuig
 - gebruik van niet-goedgekeurde accessoires of onderdelen
 - de carburator na 6 maanden, carburatorafstellingen na 6 maanden
 - componenten (onderdelen en accessoires) die onderworpen zijn aan slijtage, met inbegrip van, maar niet beperkt tot stookknoppen, aandrijfriemen, koppeling, snijbladen van heggtrimmers of grasmaaimachines, harnassen, versnellingskabels, koolborstels, stroomsnoeren, tanden, viltrennen, trekpenen, ventilatoren, blazer- en vacuümbuizen, stofzuigzakken en –riemen, geleiders, zaagkettingen, slangen, connectoren, sproeimodellen, wielen, sproeiërs, inwendige spoelen, uitwendige spoelen, maaialijnen, bougies, luchtfilters, gasfilters, struikruimbladen, etc.
4. Voor onderhoud moet het product naar een geautoriseerd RYOBI-onderhoudsstation worden gestuurd of gebracht. Een lijst met de adressen van deze stations per land is hier opgenomen. In bepaalde landen verzendt uw plaatselijke RYOBI-verdeler het product naar de RYOBI-onderhoudsorganisatie. Als een product naar een RYOBI-onderhoudsstation wordt gezonden, moet het product veilig zijn verpakt zonder gevaarlijke inhoud, zoals benzine, met aanduiding van het adres van de verzender en met inbegrip van een korte beschrijving van de fout.
5. Een reparatie/vervanging onder deze garantie is gratis. Dit heeft geen gevolgen voor de duur van deze garantie of betekent niet dat de garantie wordt verlengd of opnieuw begint. Vervangen onderdelen of werktuigen worden onze eigendom. In bepaalde landen moeten verzendings- of leveringskosten door de verzender worden betaald.
6. Deze garantie is geldig in de Europese Unie, Zwitserland, IJsland, Noorwegen, Liechtenstein, Turkije en Rusland. Buiten deze landen neemt u contact op met uw geautoriseerde RYOBI-verdeler om te bepalen of er een andere garantie geldt is.

GEAUTORISEERD ONDERHOUDSCENTRUM

Om een geautoriseerd onderhoudscentrum in uw buurt te vinden, surf u naar <http://uk.ryobitools.eu/header/service-and-support/service-agents>.

PT GARANTIA

Além de qualquer direito estatutário derivado da compra, este produto está coberto com a seguinte garantia.

- O período de garantia é de 24 meses para os consumidores e começa a partir da data de compra do produto. Esta data deve ser comprovada com uma factura ou outra prova de compra. O produto foi desenhado e destinado ao consumidor e apenas para uso privado. Portanto, não se oferece qualquer garantia em caso de uso profissional ou comercial.
- Em alguns casos (como promoções ou um conjunto de ferramentas) existe a possibilidade de ampliar o período de garantia até ao período descrito anteriormente através do registo no website www.ryobitools.eu. A elegibilidade da ferramenta mostra-se claramente nas lojas ou na embalagem. O utilizador final deve registar as suas ferramentas recém-adquiridas on-line nos 8 dias seguintes à data de compra. O utilizador final poderá registar-se para ampliar a garantia no seu país de residência se este aparecer no formulário de registo on-line em que esta opção é válida. Além disso, os utilizadores finais devem dar o seu consentimento para se guardarem os dados que se solicitam para entrar on-line e aceitar os termos e condições. A confirmação de registo, que será enviada por correio electrónico, e a factura original que mostre a data de compra servirão como prova da ampliação da garantia. Os seus direitos estatutários permanecerão intactos.
- A garantia cobre, durante o período de garantia, todos os defeitos do produto que se devam a falhas da mão-de-obra ou a falhas do material na data de compra. A garantia tem um limite de reparação ou substituição e não inclui qualquer outra obrigação que se deva a, embora sem se limitar a tal, danos acidentais ou incidentais. A garantia não é válida se se fez um uso inadequado do produto, se não se usou seguindo o manual de instruções ou se foi ligado incorrectamente. Esta garantia não se aplica a:
 - qualquer dado do produto derivado de uma manutenção inadequada
 - qualquer produto que tenha sido alterado ou modificado
 - qualquer produto em que as marcas de identificação originais (marca comercial, número de série) tenham sido apagadas, modificadas ou eliminadas
 - qualquer dano causado por incumprimento do manual de instruções
 - qualquer produto que não seja CE
 - qualquer produto que um profissional não qualificado tenha tentado reparar ou sem uma autorização prévia de Techtronic Industries
 - qualquer produto ligado a um fornecimento eléctrico inadequado (ampérios, tensão, frequência)
 - qualquer produto utilizado com uma mistura de combustível inadequada (combustível, óleo, percentagem de óleo)
 - qualquer dano causado por influências externas (de produtos químicos, danos físicos, descarga eléctrica) ou substâncias estranhas
 - desgaste ou ruptura normal das peças de substituição
 - uso inadequado, sobrecarga da ferramenta
 - uso de acessórios ou peças não homologadas
 - carburador após 6 meses, ajustes do carburador após 6 meses
 - componentes (peças e acessórios) sujeitos a um desgaste ou ruptura natural, incluindo, embora sem se limitar a tal, os botões de embate, correias de transmissão, embraiagem, lâminas de corta-arbustos ou corta-relvas, ameses, acelerador, escovas de carvão, cabo de alimentação, forquilhas, anilhas de feltro, passadores de gancho, ventiladores, tubos de ventilador e de vácuo, correias e bolsas de vácuo, barras de guia, serras de cadeia, mangueiras, acessórios de ligação, boquilhas pulverizadoras, rodas, varas borrifadoras, carretes interiores e exteriores, fios de corte, velas, filtros de ar, filtros de gás, lâminas de trituração, etc.
- Para o serviço, o produto deve ser enviado ou entregue num ponto de serviço técnico autorizado RYOBI enumerado para cada país na seguinte lista de moradas de serviço técnico. Em alguns países o seu distribuidor local RYOBI encarrega-se de enviar o produto para a organização do serviço de RYOBI. Ao enviar um produto a um ponto de serviço técnico RYOBI, o produto deve ser embalado de forma segura sem que contenha qualquer substância perigosa como petróleo, deve levar a morada do remetente e ir acompanhado de uma breve descrição da falha.
- Uma reparação/substituição dentro desta garantia realiza-se de forma gratuita. Não constitui uma ampliação nem um reinício do período de garantia. As peças ou ferramentas que se alterem passam a ser da nossa propriedade. Em alguns países os gastos de envio ou da franquia deverá pagá-los o remetente.
- Esta garantia é válida na Comunidade Europeia, Suíça, Islândia, Noruega, Liechtenstein, Turquia e Rússia. Fora destas zonas, entre em contacto com o seu distribuidor autorizado RYOBI para determinar se se aplica outra garantia.

CENTRO DE ASSISTÊNCIA AUTORIZADO

Para encontrar um centro de assistência autorizado próximo de si, visite <http://uk.ryobitools.eu/header/service-and-support/service-agents>.

DA GARANTI

Ud over de lovbestemte rettigheder ved køb, er dette produkt dækket af en garanti som angivet nedenfor.

- Garantien er 24 måneder for forbrugerne og træder i kraft den dato, hvor produktet bliver købt. Denne dato skal dokumenteres af en faktura eller andet købsbevis. Produktet er designet og beregnet til privat brug. Så der er ingen garanti i tilfælde af erhvervs-mæssig brug.
- Der er i visse tilfælde (f.eks. kampagner eller udvalgt produkter) mulighed for at forlænge garantien i perioden beskrevet ovenfor ved at registrere produktet på www.ryobitools.dk. Berettigelsen af produktet vises tydeligt i butikker og / eller på emballagen. Slutbrugeren skal registrere hans/hendes nyhvervede produkter online indenfor 8 dage fra købsdatoen. Slutbrugeren kan tilmelde sig den udvidede garanti i sit bopælsland, hvis det er opført på den online tilmeldingsformular. Desuden skal slutbrugere give deres samtykke til lagring af de data, der er nødvendige for at komme ind på nettet, og de er nødt til at acceptere vilkår og betingelser. Kvittingen på modtagelsen af registrering, som udsendes via e-mail, og den originale faktura, der angiver købsdatoen, fungerer som bevis på den udvidede garanti. Dine lovbestemte rettigheder forblive uændret.
- Garantien dækker alle fejl ved produktet i løbet af garantiperioden, som kan føres tilbage til fabrikkens- eller materialefejl på købsdatoen. Garantien begrænser sig til reparation og/eller udskidning og omfatter ikke andre forpligtelser inklusiv, men ikke begrænset til, skader eller følgeskader. Garantien er ikke gyldig, hvis produktet har været udsat for misbrug, anvendelse i strid med brugsanvisningen eller har været tilsuttet forkert. Denne garanti dækker ikke:
 - Enhver skade på produktet som følge af ukorrekt vedligeholdelse
 - Ethvert produkt, som er blevet ændret eller modificeret
 - Ethvert produkt, hvor de originale identifikationsmærker (varemærke, serienummer) er blevet ødelagt, ændret eller fjernet
 - Enhver skade, der skyldes manglende overholdelse af brugsanvisningen
 - Ethvert produkt uden CE-mærkning
 - Ethvert produkt, som har været udsat for forsøg på reparation af en uautoriseret fagmand eller uden accept fra Techtronic Industries
 - Ethvert produkt, der har været sluttet til forkert strømforsyning (ampere, spænding, frekvens)
 - Ethvert produkt, der har været anvendt med forkert brændstofblanding (brændstof, olie, olieforhold)
 - Enhver skade, der skyldes udefra kommende påvirkninger (kemisk, fysisk, stød) eller fremmedlegemer
 - Normal slitage på reservedele
 - Forkert anvendelse, overbelastning af produktet
 - Brug af ikke-godkendt tilbehør eller (reserve)dele
 - Karburator efter 6 måneder, karburatorjusteringer efter 6 måneder
 - komponenter (dele og tilbehør), der har været udsat for naturlig slitage, inklusive, men ikke begrænset til, afstandsknopper, drivremme, kobling, klinger på hækkeklippere eller plæneklippere, seler, gaskabel, kulbørster, strømforsyningskabel, knive, filtknive, låsestifte, blæseventilatorer, blæse- og indsuigningsrør, sugepose og stropper, styresværd, savkæder, slanger, tilslutningsfittings, sprøjtedyser, hjul, sprøjtetave, indvendige hjul, udvendige spoler, skæretråd, tændrør, luftfilter, gasfilter, bioklip-klinger, mv.
- Til servicering skal produktet indleveres til eller forevises et autoriseret RYOBI serviceværksted for det pågældende land. I nogle lande vil din lokale RYOBI-forhandler sende produktet til RYOBI's serviceorganisation. Når et produkt indleveres til et RYOBI serviceværksted, skal det emballeres forsvarligt uden farligt indhold (som f.eks. benzin), være forsynet med afsenderadresse og ledsaget af en kort beskrivelse af fejlen.
- Reparation/udskifning i henhold til denne garanti er gratis. Den medfører ikke forlængelse eller ny start af garantiperioden. Udskiftede dele eller værktøjer overgår til vores ejendom. I nogle lande skal leveringsomkostninger eller porto betales af afsenderen.
- Denne garanti er gyldig i EU, Schweiz, Island, Norge, Liechtenstein, Tyrkiet og Rusland. Uden for disse områder bedes man venligst kontakte sin autoriserede RYOBI-forhandler for at få opklaret, om evt. andre garantier er gældende.

AUTORISERED SERVICE/VERKSTEDER

Find nærmeste autoriserede serviceværksted på <http://dk.ryobitools.eu/header/service-and-support/service-agents>.

SV GARANTI

Förutom de lagstadgade rättigheter som följer köpet omfattas denna produkt av en garanti som anges nedan.

- Garantitiden är 24 månader för konsumenter och börjar den dag då produkten köptes. Detta datum måste kunna dokumenteras av en faktura eller annat inköpsbevis. Produkten är utformad och avsedd för konsumenter och ska endast användas för privat bruk. Det innebär att ingen garanti lämnas vid yrkesmässig eller kommersiell användning.
- I vissa fall (t.ex. marknadsföring, sortiment av verktyg), finns det en möjlighet att förlänga garantitiden under den period som beskrivs ovan genom registrering på hemsidan www.ryobitools.eu. De verktyg det gäller för framgår tydligt i butikler och/eller på förpackningen. Slut användaren måste registrera sitt nyinköpta verktyg på nätet inom 8 dagar från inköpsdatum. Slut användaren kan registrera sig för den utökade garantitiden i sitt hemland om det framgår av registreringsformuläret online där detta alternativ är giltigt. Dessutom måste slut användarna ge sitt samtycke till lagring av de uppgifter som krävs för att komma in på nätet och de måste godkänna villkoren. Registreringens mottagningsbevis som skickas ut via e-post och den ursprungliga fakturan som visar inköpsdatum fungerar som bevis på förlängd garantitid. Dina lagstadgade rättigheter påverkas inte.
- Garantin täcker alla fel på produkten under garantitiden som beror på fel i utförande eller material vid inköpsdatumet. Garantin är begränsad till reparation och/eller utbyte och inkluderar inte några andra åtaganden, inklusive men inte begränsat till oförutsedda skador eller följdskador. Garantin gäller inte om produkten har använts på fel sätt, använts på ett sätt som inte följer användarhandboken eller som har anslutits på ett felaktigt sätt. Denna garanti gäller inte för:
 - skador på produkten som beror på felaktigt underhåll
 - om produkten har ändrats eller modifierats
 - en produkt där den ursprungliga identifieringen (varumärke, serienummer) har förstörts, ändrats eller tagits bort
 - skador som orsakas av att användarhandboken inte har följts
 - alla produkter som inte följer CE-bestämmelser
 - en produkt som en icke-kvalificerad yrkesperson eller en person som inte har behörighet från Technronic Industries har försökt att reparera
 - en produkt som ansluts till eluttaget (ampere, spänning, frekvens) på fel sätt
 - en produkt som används med olämplig bränsleblandning (bränsle, olja, procent av olja)
 - skador som orsakas av yttre påverkan (kemiska, fysikaliska, stötar) eller främmande ämnen
 - normalt slitage av reservdelar
 - felaktig användning, överbelastning av verktyget
 - användning av icke-godkända tillbehör eller delar
 - förgasare efter 6 månader, justering av förgasare efter 6 månader
 - komponenter (delar och tillbehör) med förbehåll för normalt slitage, inklusive men inte begränsat till stötknappar, drivremmar, koppling, blad av häcksaxar eller gräsklippare, sele, kabelhållare, kolborstar, nätkabel, pinnar, filtbrickor, hitchkopplingar, blåsfåtkar, fläkt- och vakuumpör, vakuumpåska och remmar, ledskenor, sågkedjor, slangar, anslutningar, sprutmunstycken, hjul, sprayanordningar, inre spolar, yttre spolar, skärande linjer, tändstift, luftfilter, gasfilter, marktäckningsblad, osv.
- För service, måste produkten skickas eller presenteras till en RYOBI-godkänd servicestation som anges för varje land i följande lista med adresser. I vissa länder ombesörjer den lokala RYOBI-återförsäljaren att skicka produkten till RYOBI-serviceorganisationen. När en produkt skickas till en RYOBI-servicestation, ska produkten förpackas på ett säkert sätt utan farligt innehåll som bensin, märkt med avsändarens adress tillsammans med en kort som beskriver felet.
- En reparation/utbyte som sker under denna garanti är gratis. Den utgör inte en förlängning eller en ny start på garantitiden. Utbets delar eller verktyg blir vår egendom. I vissa länder måste leveranskostnader eller porto betalas av avsändaren.
- Denna garanti gäller i EU, Schweiz, Island, Norge, Liechtenstein, Turkiet och Ryssland. Utanför dessa områden ska du kontakta din auktoriserade RYOBI-återförsäljare för att avgöra om en annan garanti gäller.

AUKTORISERAT SERVICECENTER

Du hittar närmaste auktoriserade servicecenter genom att gå till <http://uk.ryobitools.eu/header/service-and-support/service-agents>.

FI TAKUU

Hankinnasta kuitioivien laillisten oikeuksien lisäksi tätä tuotetta hallitsee alla kuvattu takuu.

- Takuukausi on 24 kuukautta kuluttajille ja alkaa tuotteen ostopäivästä. Tämän päivän on oltava merkitty kuittiin tai muuten todisteseen hankinnasta. Tämä tuote on suunniteltu ja tarkoitettu ainoastaan kuluttajien yksityiskäyttöön. Ammatti- ja kaupalliseen käyttöön ei näin ollen ole takuuta.
- Joissain tapauksissa (kuten tarjous, laitesarja) takuukautta voidaan pidentää kuvattua kautta pidemmäksi rekisteröimällä tuote osoitteessa www.ryobitools.eu. Takuun pidentymismahdollisuus ilmoitetaan selkeästi kaupassa jätai pakkauksessa. Loppukäyttäjän on rekisteröitävä uusi laitteensa online 8 päivän sisällä sen hankkimisesta. Loppukäyttäjän voi rekisteröityä saadakseen jatkuvan takuun asuinmaassaan, jos se mainitaan online-rekisteröintilomakkeessa. Lisäksi, loppukäyttäjän on annettava suostumuksensa tallentaa syötetyt tiedot online, ja hänen on hyväksyttävä ehdot. Sähköpostitse lähetettävä rekisteröintivahvistus ja alkuuperäinen kuitti, josta ilmenee hankintapäivä, toimivat todisteenä takuun jatkamisesta. Lailliset oikeudet eivät muutu.
- Takuu kattaa takuusaikana kaikki tuotteen viat, jotka johtuvat valmistus- tai materiaaliavista hankintapäivänä. Takuu rajoittuu korjaukseen ja/ tai vaihtoon eikä sisällä mitään muita velvoitteita, mukaan lukien mm. satunnaiset ja seuraamukselliset vauriot. Takuu ei ole voimassa, jos tuotetta on väärinkäytetty tai käytetty käyttöoppaan vastaisesti tai se on kytketty virheellisesti. Takuu ei kata seuraavia:
 - tuotteelle koituneet vahingot, jotka johtuvat virheellisestä ylläpidosta
 - tuote, jota on muunneltu
 - tuote, jossa alkuuperäiset tunnisteen (tavaramerkki, sarjanumero) ovat turmeltuneet tai niitä on muutettu tai ne on poistettu
 - käyttöoppaan laiminlyönnistä johtuvat vauriot
 - ei-EC-tuotteet
 - tuotteet, joita on yrittänyt korjata ei-pätevä asentaja tai jonka korjaukselle ei ole saatu Technronic Industriesiltä hyväksyntää etukäteen
 - tuotteet, jotka on kytketty vääränlaiseen virtalähteeseen (virta, jännite, taajuus)
 - tuote, jossa on käytetty virheellistä polttoaineseosta (polttoaine, öljy, öhlyn osuus)
 - vauriot, jotka johtuvat ulkoisista syistä (kemikaalit, fyysiset tekijät, iskut) tai vieraista aineista
 - normaali varaosien kuluminen
 - virheellinen käyttö, laitteen ylikuormitus
 - muiden kuin hyväksytyjen lisävarusteiden ja osien käyttö
 - kaasutin 6 kuukauden jälkeen, kaasuttimen säätö 6 kuukauden jälkeen
 - komponentit (osat ja lisävarusteet), joihin kohdistuu luonnollista kulumista, mukaan lukien mm. napautuspuit, vetohihnat, kytin, pensastrimmeriden ja ruohonleikkurien terät, valjaat, kaapelikaasutin, hiilijarhat, virtajohto, piikit, huopavälilevyt, sokat, puhallimet, puhallin- ja imuputket, polynimurin pussit ja hihnat, terälevyt, teräketjut, letkut, liittimet, suuttimet, pyörät, suihkuputket, sisäkelat, ulkoiset kelat, leikkusuimat, syytystulpat, ilmansuodattimet, polttoainesuodattimet, silppuriterät jne.
- Huollon saaminen edellyttää, että tämä tuote lähetetään tai vietään RYOBI:n valtuuttamaan huoltoon, jotka luetaan maittain seuraavassa huoltojen osoiteluettelossa. Joissain maissa paikallinen RYOBI-jälleenmyyjä hoitaa tuotteen lähettämisen RYOBI-huoltoon. Kun tuote lähetetään RYOBI-huoltoon, se on pakattava turvallisesti ilman mitään vaarallista sisältöä, kuten bensiniä, siihen on merkittävä lähettäjän osoite ja sen mukana on lähetettävä vian kuvaus.
- Tämän takuun puitteissa tapahtuva korjaaminen/vaihto on ilmaista. Se ei merkitse takuujakson jatkamista tai uuden kauden alkua. Vaihdetuista osista ja laitteista tulee meidän omaisuuttamme. Joissain maissa lähettäjän on maksettava toimituskulut tai postimaksu.
- Tämä takuu on voimassa Euroopan Yhteisössä, Sveitsissä, Islannissa, Norjassa, Liechtensteinissa, Turkissa ja Venäjällä. Jos olet näiden alueiden ulkopuolella, ota yhteys valtuutettuun RYOBI-jälleenmyyjään, joka voi kertoa, onko joku muu takuu voimassa.

VALTUUTETTU HUOLTO

Valtuutettua huoltoa varten etsi lähimmän valtuutetun huollon sivulta <http://fi.ryobitools.eu/header/service-and-support/service-agents>.

NO GARANTI

I tillegg til enhver lovbestemt rettighet som følge av dette kjøpet er dette produktet dekket av en garanti som beskrevet nedenfor.

- Garantitiden er 24 måneder for forbrukere, og starter på produktets kjøpsdato. Denne datoen må dokumenteres av faktura eller annet kjøpsbevis. Produktet er konstruert og beregnet på forbrukere og kun privat bruk. Det gis ingen garanti ved profesjonell eller kommersiell bruk.
- Det er, i noen tilfeller, (dvs. markedsføring, serie av verktøy), mulig å utvide garantien ut over den perioden som er nevnt ovenfor ved bruk av registrering på nettstedet www.ryobitools.eu/Verktoys_garantiberegtigelse vises klart i butikkene og/eller på emballasjen. Sluttbruker må registrere sitt nylig innkjøpte verktøy på nettet innen 8 dager etter kjøpsdatoen. Sluttbruker kan registrere seg for utvidet garanti i det landet hvor vedkommende bor hvis dette landet er ført opp på nettregistreringsskjemaet hvor dette alternativet er gyldig. Sluttbruker må også gi sin tillatelse til lagring av de data som er påkrevet å registrere på nettet, og må akseptere vilkår og betingelser. Registreringsbekreftelsen, som sendes som epost, og den originale kvitteringen som viser kjøpsdatoen, vil gjelde som bevis på den utvidede garantien. Dine lovbestemte rettigheter vil fortsatt gjelde.
- Garantien gjelder alle defekter på produktet i garantitiden som følge av feil på arbeid eller materialer på kjøpsdatoen. Garantien er begrenset til reparasjon og/eller utskifting av produktet, og inkluderer ingen annen forpliktelse, inklusive men ikke begrenset til tilfældige eller direkte eller indirekte følgeskader. Garantien gjelder ikke dersom produktet er misbrukt, brukt i strid med brukermanualens instruksjoner eller vært feilaktig tilkoblet. Denne garantien gjelder ikke:
 - enhver skade på produktet som følge av utilstrekkelig vedlikehold
 - et produkt som er endret eller modifisert
 - ethvert produkt hvor original identifikasjonsmerke (varemerke, serienummer) er tildekket, endret eller fjernet
 - enhver skade som følge av at instruksjoner i brukermanualen ikke er fulgt
 - ethvert ikke-CE-produkt
 - ethvert produkt som er forsøkt reparert av en ukvalifisert person, eller uten forutgående tillatelse av Techtronic Industries
 - ethvert produkt som er tilkoblet uriktig strømkilde (ampere, spenning, frekvens)
 - ethvert produkt som er brukt med feil drivstoffblanding (drivstoff, olje, prosentvis andel olje)
 - enhver skade forårsaket av eksterne påvirkninger (kjemiske, fysiske eller slag) eller fremmede substanser
 - normal slitasje på reservedeler
 - feilaktig bruk, overbelastning av verktøyet
 - bruk av ikke godkjent tilbehør eller reservedeler
 - forgasser etter 6 måneder, forgasserjusteringer etter 6 måneder
 - komponenter (deler og tilbehør) gjenstand for naturlig slitasje, inklusive men ikke begrenset til dunkeknotter, drivreimer, clutch, kniver på hekklippere eller gressklippere, seler, gasswire, karbonborster, elektriske ledninger, tenner, filtpakninger, skaftpinner, blåseviser, blåse- og sugeslangar, oppsamlingsposer, motorsagsverd, sagkjeder, slanger, tilkoblingsdeler, spraytøysdyser, hjul, spraytestaver, innvendige ruller, utvendige spoler, klippesnorer, tennplugger, luftfiltere, gassfiltere, oppkappingsblader, etc.
- For ettersyn og reparasjoner må produktet leveres til et RYOBI-autorisert servicesenter ført opp for det enkelte land i følgende liste av servicesentersadresser. I noen land vil din lokale RYOBI-forhandler sørge for å sende produktet til RYOBI's serviceorganisasjon. Når et produkt sendes til en RYOBI servicesentersom må produktet være forsvarlig emballert uten farlig innhold som bensin, merket med senders navn og adresse og medsendt en kort beskrivelse av feilen.
- En reparasjon/utskifting i henhold til denne garantien er gratis. Den representerer ikke en forlengelse av garantiperioden eller en ny start på garantiperioden. Utskiftede deler eller verktøy blir vår eiendom. I noen land vil leveringskostnader eller porto måtte betales av sender.
- Denne garantien er gyldig i EU, Sveits, Island, Norge, Liechtenstein, Tyrkia og Russland. Utenfor disse områdene ber vi om at du kontakter en autorisert Ryobi-forhandler for å finne ut om en annen garanti gjelder.

AUTORISERT SERVICESENTER

For å finne et autorisert servicesenter i nærheten, gå til <http://no.ryobitools.eu/header/service-and-support/service-agents>.

RU ГАРАНТИЯ

В дополнение к законным правам, вытекающим из факта покупки, на данный продукт распространяются следующие гарантийные обязательства.

- Гарантийный период составляет 24 месяца для покупателей и начинается с даты приобретения продукта. Дата приобретения подтверждается документально товарным чеком или другим доказательством покупки. Данный продукт предназначен для использования только в личных целях. Гарантия не предоставляется в случае профессионального или коммерческого использования данного продукта.
- В некоторых случаях (например, при продвижении продукта, приобретении некоторых видов инструментов) возможно продление гарантийного срока при регистрации продукта на веб-сайте www.ryobitools.eu. Применительно к продукту разъясняется в магазинах при продаже и/или на упаковке продукта. Конечному пользователю следует зарегистрировать вновь приобретенный инструмент через Интернет в течение 8 дней с даты покупки. Конечный пользователь может зарегистрировать продукт для получения расширенной гарантии в стране проживания, если данная возможность предоставляется интернет-формой регистрации. Также, конечный пользователь должен дать свое согласие на хранение данных, требуемых при заполнении формы через Интернет, и принять условия соглашения. Уведомление о подтверждении регистрации, отправляемое по электронной почте, и оригинальный товарный чек с датой покупки служат доказательством расширенной гарантии. Законные права потребителя при этом остаются в силе.
- Данная гарантия распространяется на все дефекты продукта, связанные с производственным браком или браком материалов в момент приобретения, в течение гарантийного периода. Данная гарантия ограничивается ремонтом и/или заменой и не включает другие обязательства, в том числе, связанные с побочным или косвенным ущербом. Гарантия недействительна в случае ненадлежащего использования, использования с нарушением инструкций руководства по эксплуатации или неправильного подключения продукта. Гарантия недействительна, если:
 - повреждение продукта вызвано ненадлежащим техническим обслуживанием
 - продукт подвергся изменениям или был модифицирован
 - оригинальная маркировка (товарный знак, заводской номер) неудобночитаема, изменена или удалена
 - повреждение вызвано несоблюдением инструкций данного руководства
 - отсутствует маркировка CE
 - была попытка отремонтировать продукт неквалифицированным лицом или без предварительного согласования с компанией Techtronic Industries
 - продукт подключался к ненадлежащему источнику питания (ненадлежащая сила тока, напряжение, частота)
 - продукт использовался с недопустимой топливной смесью (топливо, масло, процент содержания масла)
 - повреждение вызвано внешним воздействием (химические, физические, удары) или посторонними веществами
 - это связано с нормальным износом заменяемых деталей
 - это связано с ненадлежащим использованием, перегрузкой инструмента
 - это связано с использованием нереккомендованных принадлежностей или деталей
 - карбюратор использовался свыше 6 месяцев, регулировка карбюратора после 6 месяцев
 - компоненты (детали и принадлежности) подверженные естественному износу, в том числе, коллчани, приводные ремни, муфта, режущие полотна шпательных ножиц или газонокосилок, крепежные ремни, тросик дроссельной заслонки, угольные щетки, кабель питания, фрезы, фетровые прокладки, шпильки, крыльчатки, выпускные и всасывающие трубки, мешок для мусора и решетки, пыльные шины, пыльные щели, шланги, соединительные фитинги, распылительные насадки, колеса, распылители, внутренние бобины, внешние бобины, режущие струны, свечи зажигания, воздушные фильтры, газовые фильтры, механизмы для мульчирования и т.п.
- Для проведения технического обслуживания продукт следует представить в официальный центр технического обслуживания компании RYOBI в соответствии со списком по каждой стране. В некоторых странах дилерам компании RYOBI требуется пересылка продукта в соответствующий сервисный центр компании RYOBI. При отправке продукта в центр технического обслуживания RYOBI, продукт следует упаковать надлежащим образом без содержания любых опасных веществ (таких как бензин) с указанием адреса отправителя и кратким описанием неисправности.
- Ремонт/замена продукта по условиям данной гарантии осуществляются бесплатно. В данном случае не предусмотрено продление срока гарантии или начало нового гарантийного периода. Заменяемые детали или инструмент становятся собственностью компании. В некоторых странах оплата доставки и почтовые расходы ложатся на отправителя.
- Данная гарантия действительна в странах ЕС, Швейцарии, Исландии, Норвегии, Лихтенштейне, Турции и России. Для получения информации о применении данной гарантии в других регионах обращайтесь к официальному дилеру компании RYOBI.

УПОЛНОМОЧЕННЫЙ СЕРВИСНЫЙ ЦЕНТР

Чтобы найти ближайший уполномоченный сервисный центр, обратитесь к веб-сайту <http://uk.ryobitools.eu/header/service-and-support/service-agents>.

PL GWARANCJA

Oprócz wszelkich praw ustawowych wynikających z zakupu, ten produkt jest objęty gwarancją jak podano poniżej.

- Okres gwarancji wynosi 24 miesiące dla konsumentów i rozpoczyna się w dniu, w którym produkt został zakupiony. Ta data musi być udokumentowana przez fakturę lub inny dowód zakupu. Produkt został zaprojektowany i jest przeznaczony wyłącznie do użytku konsumenckiego i prywatnego. W związku z tym gwarancja nie jest udzielana w przypadku zastosowań profesjonalnych i komercyjnych.
- Nie ma, w niektórych przypadkach (promocja tj. zakres narzędzi), możliwość przedłużenia okresu gwarancji w okresie opisanym powyżej przy rejestracji na stronie internetowej www.ryobitools.eu. Kwalifikowalność narzędzia jest wyraźnie określona w sklepach oraz/lub na opakowaniu. Użytkownik końcowy musi zarejestrować swoje nowo zakupione narzędzia online w ciągu 8 dni od daty zakupu. Użytkownik końcowy może zarejestrować się w celu rozszerzenia gwarancji w swoim kraju zamieszkania, jeśli jest on wymieniony w formularzu rejestracji online, kiedy ta opcja jest ważna. Ponadto użytkownicy końcowi muszą wyrazić zgodę na przechowywanie danych, które są wymagane do zalogowania online oraz muszą zaakceptować regulamin. Otrzymanie potwierdzenia rejestracji, które jest wysyłane na adres e-mail oraz oryginalna faktura z podaną datą zakupu będą służyć jako dowód przedłużonej gwarancji. Twoje prawa ustawowe pozostają nienaruszone.
- Gwarancja obejmuje wszystkie wady produktu w okresie gwarancyjnym, spowodowane usterekami w wykonaniu lub materiale w chwili nabycia. Gwarancja jest ograniczona do naprawy oraz/lub wymiany i nie obejmuje żadnych innych obowiązków w tym m.in. odpowiedzialności za szkody przypadkowe lub wtórne. Gwarancja nie jest ważna, jeśli produkt był użytkowany w niewłaściwy sposób, był wykorzystywany w sposób niezgodny z instrukcją obsługi lub był nieprawidłowo podłączony. Ta gwarancja nie obejmuje:
 - uszkodzenia produktu, które jest wynikiem nieprawidłowej konserwacji
 - produktu, który został przerobiony lub zmodyfikowany
 - produktu, w którym zniekształcono, zmieniono lub usunęto oryginalne oznaczenia (nazwę handlową, numer seryjny)
 - uszkodzeń spowodowanych nieprzebraniem instrukcji obsługi produktu bez certyfikatu CE
 - produktu, który był naprawiany przez niewykwalifikowaną osobę lub bez uprzedniej autoryzacji firmy Techtronic Industries
 - produktu podłączonego do nieprawidłowego źródła zasilania (napięcie, napięcie, czystość)
 - produktu używanego z nieprawidłową mieszanką paliwa (paliwo, olej, zawartość procentowa oleju)
 - uszkodzeń spowodowanych przez przez czynniki zewnętrzne (chemiczne, fizyczne, uderzenia) lub obce substancje
 - normalnego zużycia części zamiennych
 - niewłaściwego użytkowania, przecięcia narzędzia
 - stosowania niezatwierdzonych akcesoriów lub części
 - gaźnika po 6 miesiącach, regulacji gaźnika po 6 miesiącach
 - elementów (części i akcesoriów) podlegających naturalnemu zużyciu, m.in. gałek odbojnikowych, pasów napędowych, sprężgła, ostrej nożyc do żywoptłów lub kosiariek, uprząży, przepustnicy, szczołek węglowych, przewodu zasilającego, zębów, podkładek filcowych, sworzni zaczepu, wentylatorów dmuchawy, przewodów dmuchawy i podciśnieniowych, worków próżniowych i pasków, prowadnic, łańcuchów pilarki, przewodów, mocowań złączy, dyszy rozpylających, kółek, lancy rozpylających kat., dmuchawy, dmuchawy i nury próżniowe, torebki próżniowe i paski, prowadnice, bębnow wewnętrznych, szpulki zewnętrznych, żyłki tnącej, świec zapłonowych, filtrów powietrza, filtrów gazu, ostrej do ściółkowania itp.
- W celu serwisowania produkt należy wysłać lub okazać w autoryzowanym centrum serwisowym RYOBI wymienionym dla każdego kraju na poniższej liście adresów stacji serwisowych. W niektórych krajach lokalny dealer firmy RYOBI zobowiązuje się wysłać produkt do centrum serwisowego firmy RYOBI. W przypadku wysyłki produktu do centrum serwisowego RYOBI, produkt należy dobrze zapakować, bez umieszczenia żadnych niebezpiecznych rzeczy, tj. paliwa i oznaczyć adresem nadawcy oraz krótkim opisem usterek.
- Naprawa/wymiana w ramach tej gwarancji jest bezpłatna. Nie stanowi to przedłużenia lub nowego rozpoczęcia okresu gwarancji. Wymieniane części lub narzędzia stają się naszą własnością. W niektórych krajach koszty wysyłki lub pocztowe będą musiały być opłacone przez nadawcę.
- Ta gwarancja obowiązuje na terytorium Wspólnoty Europejskiej, Szwajcarii, Islandii, Norwegii, Liechtenstein, Turcji i Rosji. Poza tymi obszarami należy skontaktować się z autoryzowanym dealerem RYOBI aby sprawdzić, czy dostępna jest jeszcze inna gwarancja.

AUTORYZOWANY PUNKT SERWISOWY

Najbliższy autoryzowany punkt serwisowy można wyszukać w witrynie internetowej <http://uk.ryobitools.eu/header/service-and-support/service-agents>.

CS ZÁRUKA

Navíc k zákonným právam, které vznikají nákupem, je k výrobku poskytována záruka.

- Záruka je období 24 měsíců pro spotřebitele a začíná běžet datem nákupu produktu. Toto datum musí být zadokumentováno fakturou nebo jiným důkazem o koupi. Tento výrobek je určen a vyhrazen jen pro domácí a soukromé používání. Záruka se tedy nepoužije pro profesionální ani komerční používání.
- Existuje, v některých případech (tj. propagace, určité nástroje), možnost prodloužení doby záruky nad výše uvedené období pomocí registrace na stránkách www.ryobitools.eu. Vhodnost nástroje je jasně vyobrazena v prodejních a/nebo na obalu. Koncový uživatel musí zaregistrovat své nově pořízené nástroje online během 8 dní od data nákupu. Koncový uživatel se může zaregistrovat k prodloužení doby záruky v zemi jeho trvalého bydliště, pokud je uvedeno v online registračním formuláři, kde je tato možnost platná. Navíc musí koncový uživatel poskytnout souhlas s uchováním údajů, které jsou zapotřebí do online registru a musí přijmout podmínky smlouvy. Přijetí potvrzení o registraci, odeslané e-mailem, a originální faktura udávající datum nákupu slouží jako důkaz prodloužené záruky. Vaše zákonná práva zůstávají nedotčena.
- Záruka pokrývá veškeré vady produktu během záruky způsobené vadami při zpracování nebo v materiálu v době nákupu. Záruka se omezuje na opravu a/nebo výměnu a nezahrnuje žádné jiné závazky včetně, ale ne omezeně na související nebo následné škody. Záruka neplatí, pokud, pokud se produkt nesprávně používal, používal v rozporu s návodem nebo byl nesprávně zapojen. Záruku nelze uplatnit v následujících případech:
 - jakákoliv škoda na výrobku v důsledku nesprávné údržby
 - jakýkoliv výrobek byl pozměněn či modifikován
 - jakýkoliv výrobek, kde byly původní identifikační značky (obchodní značka, výrobní číslo) odstraněny, pozměněny či modifikovány
 - jakákoliv škoda způsobená nedodržováním návodu k obsluze
 - výrobek nemá značku CE
 - každý výrobek, kde došlo k pokusu jej opravit nekvalifikovanou osobou nebo bez předchozího souhlasu společnosti Techtronic Industries
 - každý výrobek byl připojen nesprávnému napájení (proud, napětí, frekvence)
 - každý výrobek, který se používal s nesprávnou palivovou směsí (palivo, olej, podíl oleje)
 - veškeré škody byly způsobeny externími vlivy (chemické, fyzické, nárazy) či cizími látkami
 - běžné opotřebení a spotřební náhradní díly
 - nevhodné používání, přetěžování nástroje
 - použití neschválených doplňků nebo dílů
 - karburátor po 6 měsících, seřízení karburátoru po 6 měsících
 - komponenty (díly a doplňky) podléhající běžnému opotřebení, včetně, ale ne omezeně, nárazových tlačítek, hnacích řemenů, spojky, nožů plotostříhu či sekaček trávy, postroje, lanka škrtící klapky, uhlikových kartáčů, napájecího kabelu, plechů, plstěných podložek, závlaček, ventilátorů fukaru, hadic fukaru a vysavače, vaku vysavače a popruhu, vodičích lišt, pilových řetězů, hadic, spojovacích tvarovek, rozprašovačích trysek, kol, stříkaček trubice, vnitřních, vnějších cívek, sekacích strun, zapalovačích svíček, vzduchových filtrů, spalňových filtrů, umíčovacích nožů atd.
- Pro servis výrobku je třeba zaslat nebo předložit pověřenému servisnímu středisku RYOBI dle seznamu adres servisních středisek. V některých zemích váš místní prodejce RYOBI provádí odeslání výrobku servisní organizaci RYOBI. Při zasílání výrobku servisnímu středisku RYOBI by se měl výrobek bezpečně zabalit bez nebezpečného obsahu jako benzin, označit adresu odesílatele a přiložit list krátkým popisem vady.
- Oprava/výměna během záruky je bezplatná. Neznamená prodloužení ani začátek nového záručního období. Vyměněné díly či nástroje se stávají naším vlastnictvím. V některých zemích doručení či poštovné platí odesílatele.
- Záruka je platná v Evropské unii, Švýcarsku, Islandu, Norsku, Lichtenštejnsku, Turecku a Rusku. U ostatních oblastí prosím kontaktujte pověřeného prodejce RYOBI pro upřesnění, zda platí jiná záruka.

POVĚŘENÉ SERVISNÍ STŘEDISKO

Pro natezení nejbližšího pověřeného servisního střediska navštivte <http://uk.ryobitools.eu/header/service-and-support/service-agents>.

HU GARANCIA

A vásárlással összefüggő esetleges törvény adta jogok mellett a termékre az alábbiakban részletezett garancia vonatkozik.

1. A garancia időtartama a fogyasztók számára 24 hónap, ami a termék megvásárlásának napjától számítódik. Ezt a dátumot számlával vagy a vásárlást igazoló más dokumentummal kell igazolni. A terméket kizárólag a vevő által, személyes célokra való használatra tervezték és készítették. Ezért a garancia nem vonatkozik a profik általi vagy üzleti célokra való használatra.
2. Egyes esetekben (pl. promóció, bizonyos termékcsaládok) lehetőség van a garancia időtartamának a fent leírt garanciaperióduson túli meghosszabbítására a www.ryobitools.eu webhelyen történő regisztrációval. Az, hogy egy adott gép jogosult-e erre, egyértelműen fel van tüntetve a boltokban és/vagy a csomagoláson. A végfelhasználónak a vásárlás napjától számított 8 napon belül regisztrálnia kell az újonnan beszerzett gépet. A végfelhasználó a kiterjesztett garanciáért a lakóhelye szerinti országban regisztrálhat, ha az szerepel az online regisztrációs űrlapon. Emellett a végfelhasználónak hozzá kell járulnia az online belépéshez szükséges adatai tárolásához és el kell fogadnia a szerződési feltételeket. A regisztráció e-maiban küldött visszaigazolása, valamint a vásárlást igazoló eredeti számla szolgálják a kiterjesztett garancia érvényesítésére. A törvény adta jogai nem sérülnek.
3. A garancia a garancia időtartama alatt a termék összes olyan hibájára kiterjed, amelyek a vásárlás napján is fennálló gyártási vagy anyaghiba miatt következnek be. A garancia javításra és/vagy cserére korlátozódik, és nem tartalmaz további kötelezettséget, beleértve, de nem kizárólag a véletlenszerű vagy következetes károkra vonatkozó kötelezettségeket sem. A garancia nem érvényes a termék helytelen használatára, a használati utasításban leírtakkal ellentétes használatára vagy hibás csatlakoztatása esetén. A garancia nem vonatkozik a következőkre:
 - a termék helytelen karbantartásból eredő esetleges károsodásokra
 - átalakított vagy módosított termékekre
 - olyan termékre, melyen az eredeti azonosító jelöléseket (védjegy, sorozatszám) megrongálták, átalakították vagy eltávolították
 - a használati utasítás be nem tartásával összefüggő károkra
 - a CE minősítéssel nem rendelkező termékre
 - a nem képzett szakember által vagy a Technronic Industries előzetes jóváhagyása nélküli javított termékre
 - a nem megfelelő tápforrásokhoz (áramerősség, feszültség, frekvencia) csatlakoztatott termékre
 - a nem megfelelő üzemanyag-keverékkel (üzemanyag, olaj, olajárány) használt termékre
 - külső hatások (vegyi, fizikai, ütés) vagy idegen anyagok által okozott károsodásokra
 - a cserealkatrészek normál kopására és elhasználódására
 - helytelen használatra, a szerszám túlterhelésére
 - nem jóváhagyott tartozékok vagy alkatrészek használatára
 - a karburátorra 6 hónap elteltével, a karburátor beállításaira 6 hónap elteltével
 - Természetes elhasználódásnak és kopásnak kitett összetevőkre (alkatrészek és tartozékok), beleértve de nem kizárólag az ütközőgombokra, hajtószíjakra, tengelykapcsolóra, sóvényvágó vagy fűnyíró kecséire, vezetékkecsékre, gázkábelekre, szénkéfékre, tápkábeleire, kapákra, nemez alátétkarikákra, sasszegekre, fűvágó ventilátoraira, fűvő és vákuumszívókra, szívószálókra és szíjakra, láncvezetőkre, fűrészláncokra, tömlőkre, csatlakozókra, szűrőfejekre, kerekre, lándsákra, belső orsókra, külső orsókra, vágószálakra, gyújtógyertyákra, légszűrőkre, üzemanyagszűrőkre, tömörítő kapákra stb.
4. A szervizeléshez a terméket el kell küldeni vagy be kell mutatni valamelyik hivatalos RYOBI szervizközpontban, melyek elérhetősége az egyes országokban az alábbiakban van megadva. Egyes országokban a RYOBI kereskedő vállalja, hogy elküldi a terméket a RYOBI szervizbe. A terméknek a RYOBI szervizelőmásra való küldésekor a terméket biztonságosan be kell csomagolni, mindenféle veszélyes anyagot, pl. üzemanyagot el kell távolítani belőle, meg kell adni a feladó címét és a hiba rövid leírását.
5. A garancia keretében végzett javítás/cseréje ingyenes. Ugyanakkor ez nem jelenti a garancia időtartamának kiterjesztését vagy új garanciaperiódus kezdetét. A kicserélt alkatrészek vagy szerszámgépek a mi tulajdonunkban maradnak. Egyes országokban a szállítási vagy a postaköltségeket a feladó fizeti.
6. Ez a garancia az Európai Közösségben, Svájcban, Izlandon, Norvégiában, Liechtensteinben, Törökországban és Oroszországban érvényes. Ezen területeken kívül az érvényes garancia-feltételeket illetően lépjen kapcsolatba a hivatalos RYOBI forgalmazóval.

HIVATALOS SZERVIZKÖZPONT

A legközelebbi hivatalos szervizközpont megtalálásához látogasson el a <http://uk.ryobitools.eu/header/service-and-support/service-agents>.

RO GARANȚIE

În plus față de alte drepturi statutare rezultând din achiziție, produsul este acoperit de o garanție ca cea menționată mai jos.

1. Perioada de garanție este de 24 de luni pentru consumatori și începe de la data la care produsul a fost achiziționat. Această dată trebuie să fie dovedită de o factură sau altă dovadă de cumpărare. Produsul este proiectat și dedicat pentru consumatori și doar pentru uz privat. Ca urmare nu există nicio garanție asigurată în caz de folosire profesională sau comercială.
2. Există, în anumite cazuri (de ex. promoții, game de produse) o posibilitate de a prelungi perioada de garanție peste perioada descrisă mai sus folosind înregistrarea pe site-ul www.ryobitools.eu. Eligibilitatea aparatului este afișată clar în magazine și/sau ambalaj. Utilizatorul final se poate înregistra pentru o garanție extinsă în țara sa de reședință dacă e listată pe formularul de înregistrare online acolo unde opțiunea este validă. Mai mult, utilizatorii finali trebuie să-și dea consimțământul cu privire la păstrarea datelor ce sunt cerute a fi introduse online și trebuie să accepte termenii și condițiile. Notificarea de confirmare a înregistrării, ce este trimisă prin email, și factura originală ce arată data achiziționării vor servi ca dovadă a garanției extinse. Drepturile dvs statutare rămând neafectate.
3. Garanția acoperă toate defectele produsului în timpul perioadei de garanție cauzate de defecte din procesul de producție sau ale materialului la data achiziționării. Garanția este limitată la reparație și/sau înlocuire și nu include alte obligații incluzând dar nelimitându-se la pagube incidentale sau secundare. Garanția nu este validă dacă produsul a fost folosit greșit, folosit contrar instrucțiunilor din manual sau a fost conectat incorect. Această garanție nu se aplică la:
 - orice defecțiune a produsului ca rezultat a întreținerii necorespunzătoare
 - orice produs ce a fost schimbat sau modificat
 - orice produs unde marcajul original de identificare (marcă comercială, număr serie) a fost deteriorat, schimbat sau modificat
 - orice defecțiune cauzată de nerespectarea manualului de instrucțiuni
 - orice produs non CE
 - orice produs care a fost încercat să fie reparat de către o persoană necalificată sau fără autorizare în prealabil de către Technronic Industries
 - orice produs conectat necorespunzător la sursa de curent (amperi, voltaj, frecvență)
 - orice produs folosit cu amestec necorespunzător de combustibil (combustibil, ulei, procentaj de ulei)
 - orice defecțiune cauzată de influențe externe (chimice, fizice, șocuri) sau substanțe străine
 - uzura normală a pieselor de schimb
 - folosire necorespunzătoare, suprasolicitare a sculei
 - folosire de accesorii și părți neaprobate
 - carburator după 6 luni, reglări ale carburatorului după 6 luni
 - componente (părți și accesorii) subiect a uzurii naturale, incluzând dar nelimitându-se la butoane rotative, curele de distribuție, ambreiaj, lame ale aparatelor de bordurat și tuns iarba, hamuri, cabluri de accelerație, perii de carbon, cabluri electrice, dinți ale furcii, șaibe de păsli, ventilatoare și tuburi de absorbție, sac vacuum și chingi, bare de ghidare, ferăstraie cu lanț, furtune, fitinguri de conectare, vergele de pulverizat, duze de pulverizat, roți, vergele de pulverizat, bobine interioare, bobine exterioare, fire pentru tăiat, buji, filtre de aer, filtre de gaz, lame protectoare, etc
4. Pentru service, produsul trebuie să fie trimis sau prezentat la un punct service RYOBI autorizat listat pentru fiecare țară în următoarea listă cu adrese ale punctelor service. În anumite țări reprezentantul dvs local RYOBI se angajează să trimită produsul la un punct de service RYOBI. Atunci când se trimite un produs la un punct service RYOBI, produsul trebuie să fie împachetat cu grijă fără a conține produse periculoase precum benzină, marcat cu adresa expeditorului și însoțit de o scurtă descriere a defecțiunii.
5. Repararea/inlocuirea în timpul garanției este fără niciun cost. Nu constituie o prelungire sau un nou început a perioadei de garanție. Părțile sau aparatele schimbate devin proprietatea noastră. În anumite țări taxele de expediere trebuie să fie plătite de către expeditor.
6. Garanția este valabilă în Uniunea Europeană, Elveția, Islanda, Norvegia, Lichtenstein, Turcia și Rusia. În afara acestor zone, vă rugăm contactați reprezentantul dvs local autorizat RYOBI pentru a determina dacă se aplică altă garanție.

CENTRU DE SERVICE AUTORIZAT

Pentru a găsi un centru de service autorizat lângă dvs., vizitați <http://uk.ryobitools.eu/header/service-and-support/service-agents>.

LV GARANTĪJA

Papildus visām likumā paredzētajām tiesībām saistībā ar iegādi šim izstrādājumam ir turpinājuma izklāstīta garantija.

1. Garantijas periods patērētājiem ir 24 mēneši, un tas sākas izstrādājuma iegādes dienā. Šim datumam ir jābūt dokumentētām rēķinā vai citā iegādi apliecinošā dokumentā. Šis izstrādājums ir izgatavots un paredzēts vienīgi patērētājam un privātai lietošanai. Profesionālais vai komerciālais lietošanas gadījumā garantija nav spēkā.
2. Atsevišķos gadījumos (piem., akcija, vairāki instrumenti) pastāv iespēja pagarināt garantijas periodu virs sešmēnešu perioda, reģistrējot to www.ryobitools.eu vietnē. Instrumenta pielietojums ir skaidri norādīts veikalos un/vai uz iepakojuma. Lietotājiem ir jāreģistrē savī jauniegūtie instrumenti tiešsaistē 8 dienu laikā no iegādes datuma. Lietotājs var reģistrēties pagarinātajai garantijai savā dzīvesvietas valstī, ja tā ir norādīta tiešsaistes reģistrācijas veidlapā, kur pieejama šī iespēja. Turklāt lietotājiem ir jāievada dati tiešsaistē, jādod piekrišana šo datus uzglabāšanai un jāpiekrīt noteikumiem. Saņemtais reģistrācijas apstiprinājums, kas izsūtīts pa e-pastu, un rēķina oriģināls, kurā redzams iegādes datums, ir pagarinātās garantijas pierādījums. Jūsu likumā paredzētās tiesības netiek ietekmētas.
3. Garantija attiecas uz visiem izstrādājuma bojājumiem, kas radušies garantijas perioda laikā iegādes dienā esošo izgatavošanas vai materiāla defektu dēļ. Garantija ir ierobežota līdz remontam un/vai nomaīgai un neietver citus pienākumus, ieskaitot, bet neaprobežojoties ar nejausiem vai netiesīmiem zaudējumiem. Garantija nav spēkā, ja izstrādājums ir liets nepareizi vai neievērojot rokasgrāmatas norādījumus vai ticis nepareizi savienots. Garantija netiecas uz:
 - izstrādājuma bojājumiem, kas radušies nepareizas apkopes dēļ;
 - izstrādājumiem, kas tikuši pielāgoti vai pārveidoti;
 - izstrādājumiem, kuru oriģinālais identifikācijas marķējums (preču zīme, sērijas numurs) ticis sabojāts, pārveidots vai noņemts;
 - bojājumiem, kurus izraisījuši rokasgrāmatas norādījumu neievērošana;
 - izstrādājumiem bez CE marķējuma;
 - izstrādājumiem, kurus ir mēģinājis remontēt nekvalificēts speciālists vai kuri remontēti bez Technonic Industries atļaujas;
 - izstrādājumiem, kas tikuši pievienoti neatbilstošai energopadevei (apmēri, spriegums, frekvence);
 - izstrādājumiem, kuros izmantots nepareizs degvielas maisījums (degviela, eļļa, eļļas daudzums);
 - bojājumiem, kurus izraisījuši ārēja iedarbība (ķīmiska, fiziska, triecieni) vai svešas vielas;
 - normālu detaļu nolietojumu un nodilumu;
 - instrumenta nepareizu lietošanu, pārslogoji;
 - neapstiprinātu detaļu un piederumu lietošanu;
 - karburatoru pēc 6 mēnešiem, karburatora regulējumiem pēc 6 mēnešiem;
 - komponentiem (detaļām un piederumiem), kas ir pakļauti dabiskam nodilumam un nolietojumam, ietverot, bet neaprobežojoties ar darbināšanas pogām, piedziņas siksnām, dzīvzoga trimeru un zāles pļāvēji asmeņiem, plecu turētāju, kabeļa droseli, ogļekļa sukām, elektrības vadu, tapām, filca starplikām, sakabes tapām, pūtēja ventilatoriem, pūtēja un vakuuma caurulēm, vakuuma maisiem un lencēm, virzošajiem stieņiem, zāga ķēdēm, šļūtenēm, savienotāja stiprinājumiem, smidzināšanas sprauslām, riteņiem, smidzināšanas nūjām, iekšējiem ruļļiem, ārējām spolēm, griešanas auklām, aizdedzes svečēm, gaisa filtriem, gāzes filtriem, mulčēšanas asmeņiem u. c.;
4. Ja nepieciešams veikt remontu, izstrādājums jānosūta vai jānodod RYOBI pilnvarotam servisa centram, kas norādīts pie attiecīgās valsts servisa centru adresē sarakstā. Atsevišķās valstīs vietējais RYOBI dīleris uzņemas nosūtīt izstrādājumu RYOBI servisa organizācijai. Nosūtīt izstrādājumu RYOBI servisa centram, izstrādājumiem jābūt droši iepakotam bez bīstama satura, piemēram, degvielas, marķētam ar sūtītāja adresi un kopā ar īsu aprakstu par defektu.
5. Remonts/nomaīga šīs garantijas ietvaros ir bez maksas. Tas nepagarina un neuzsāk jaunu garantijas periodu. Nomainītās detaļas un instrumenti nonāk mūsu īpašumā. Atsevišķās valstīs piegādes maksa un pasta izdevumi jāsedz sūtītājam.
6. Šī garantija ir derīga Eiropas Kopienā, Šveicē, Islandē, Norvēģijā, Līhtenšteinā, Turcijā un Krievijā, Ārpus šiem reģioniem, lūdzu, sazinieties ar savu pilnvaroto RYOBI dīleri, lai noskaidrotu, vai ir spēkā cita garantija.

AUTORIZĒTS APKALPOŠANAS CENTRS

Lai atrastu tuvāko autorizēto apkalpošanas centru, apmeklējiet <http://uk.ryobitools.eu/header/service-and-support/service-agents>.

LT GARANTĪJA

Be įstatymais nustatyty teisių, įgyjamų nusipirkus šį produktą, produktui taikoma toliau nurodyta garantija.

1. Pirkėjams galiojantis garantinis periodas yra 24 mėnesiai ir prasideda nuo produkto pirkimo datos. Data turi būti nurodyta sąskaitoje-faktūroje arba kitame pirkimą įrodančiame dokumente. Produktas sukurtas ir skirtas tik naudotojui ir tik asmeniniam naudojimui. Todėl garantija netaikoma produktą naudojančiam profesionaliam ar komerciniam tikslui.
2. Kai kuriais atvejais yra galimybė pratęsti garantinį laikotarpį iki toliau nurodyto laikotarpio, prieš tai užsiregistruvus www.ryobitools.eu svetainėje. Įrankio tinkamumo aiškiai parodytas parduotuvėse ir (arba) ant pakuotės. Galutinis naudotojas turi užregistruoti savo naujai įsigytus įrankius internetu per 8 dienas nuo jų pirkimo datos. Galutinis naudotojas gali užsiregistruoti dėl garantijos pratęsimo savo šalyje, jei ši pateikta registracijos internetu forma, kurioje galimas šis pasirinkimas. Be to, galutinai naudotojai privalo duoti savo sutikimą laikyti duomenis, kuriuos reikia įvesti internete, ir jie turi sutikti su sąlygomis ir nuostatomis. Registracijos patvirtinimo pranešimas, išsiunčiamas el. paštu, ir originali sąskaityta faktūra, kurioje nurodyta pirkimo data, įrodo pratęstą garantiją. Jūsų įstatymuose nurodytomis teisėms nebus pakenkta.
3. Garantinis laikotarpis garantija taikoma visiems produkto trūkumams, atsiradusiems dėl prastos darbo kokybės arba prastu produkto medžiagų pirkimo dieną. Garantija taikoma tik taisymsi ir (arba) pakeltimui ir joje nenumatyti jokie kiti įsipareigojimai, įskaitant, bet neapsiribojant atsitiktine ar susijusia žala. Garantija negalioja produktą netinkamai naudojant, priešingai vadove nurodytoms instrukcijoms, arba netinkamai prijungus. Garantija netaikoma šiais atvejais:
 - produktui padaryti žalai netinkamai atliekant produkto techninę priežiūrą;
 - pakeistam arba modifikuotam produktui;
 - bet kokiems produktams, kurių originalios identifikacijos (prekės ženklas, serijos numeris) žymės buvo sugadintos, pakeistos ar pašalintos;
 - bet kokiai žalai, patirtai nesaikant naudojimo vadovo;
 - bet kokiam CE nepaženkintam produktui;
 - bet kokiam produktui, kurį bandė taisyti nekvalifikuotas specialistas, arba iš anksto negavus „Technonic Industries“ leidimo;
 - bet kokiam produktui, įjungtam į netinkamą maitinimo tinklą (amperai, įtampa, dažnis);
 - bet kokiam produktui, naudojamam su netinkamu degalų mišiniu (degalai, alyva, alyvos procentinis kiekis);
 - bet kokiai žalai, kilusiai dėl išorinio poveikio (cheminis, fizinis poveikis, smūgiai) arba pašalinių medžiagų;
 - įprastam atsarginių dalių dėvėjimuisi;
 - produktą netinkamai naudojant arba jį perkrovus;
 - naudojant nepatvirtintus priedus arba dalis;
 - karbiuratorius po 6 mėnesių, karbiuratoriaus reguliavimui po 6 mėnesių;
 - komponentams (daliams ir priedams), kurie dėvisi savaime, įskaitant, bet neapsiribojant iškiliais mygtukais, diržinėmis pavakomis, sankaba, gyvatvorės žirklių arba vejos pjovimo mašinų asmenimis, diržais, kabele droseliu, anglies šepetėliais, maitinimo laidu, virbams, veltinio poveržlėmis, traukimo kaiščiais, pūtimo ventilatoriais, pūstuvu ir siurblio vamzdžiais, siurblio maišeliu ir dirželiais, kreipiamaisiais strypais, pjūklų grandinėmis, žarnelėmis, jungtimis, purkštukais, ratais, purškimo lazdelėmis, vidiniais sukutvais, išorinėmis ritėmis, mulktintuvais, uždegimo žvakėmis, oro filtrais, dujų filtrais, mulčiavimo asmenimis ir t. t.;
4. Norint atlikti techninį aptarnavimą, produktą reikia nusiųsti arba pristatyti į vieną iš RYOBI įgaliotų techninio aptarnavimo punktų, esančių kiekvienoje šalyje toliau pateiktame aptarnavimo punktų adresų sąraše. Kai kuriose šalyse jūsų vietinis RYOBI pardavėjas gali nusiųsti produktą į RYOBI techninio aptarnavimo punktą. Siunčiant produktą į RYOBI techninio aptarnavimo punktą, produktą reikia saugiai supakuoti, prieš tai iš jo pašalinus pavojingas medžiagas, pavyzdžiui, benzina, nurodyti siuntėjo adresą ir pridėti trumpą gedimo aprašymą.
5. Pagal šią garantiją taisyimo ar keitimo darbai atliekami nemokamai. Garantijoje nenumatytas garantijos pratęsimas ar naujo garantinio laikotarpio pradėjimas. Pakeistos dalys arba įrankiai tampa mūsų nuosavybe. Kai kuriose šalyse pristatymo ar siuntimo paštu išlaidas turi padengti siuntėjas.
6. Ši garantija taikoma Europos bendrijoje, Šveicarijoje, Islandijoje, Norvegijoje, Lichtenšteine, Turkiijoje ir Rusijoje. Kitose šalyse kreipkitės į savo įgaliotą RYOBI pardavėją, norėdami sužinoti, ar taikoma kita garantija.

ĮGALIJOTAS TECHINIS PRIEŽIŪROS CENTRAS

Jei norite surasti įgaliotą techninės priežiūros centrą netoli Jūsų, apsilankykite interneto svetainėje <http://uk.ryobitools.eu/header/service-and-support/service-agents>.

ET GARANTIID

Lisaks ostu puhul kaasnevate seadusjärgsetele õigustele kehtib tootele allpool esitatud tingimustega garantiid.

- Ostja poolt ostetud tootele on kehtestatud garantiiperiood 24 kuud ja see hakkab kehtima toote ostmise kuupäeval. See kuupäev on märgitud arvele või muule ostu lõendavale dokumendile. Toode on ette nähtud ostjale ainult isiklikuks kasutamiseks. Kui toodet kasutatakse ametialasel või ärilisel eesmärgidel, siis garantiid ei kehti.
- Mõnel juhul (nt reklaam, seadmete seeria) on võimalik pikendada garantiiperioodi pikemaks ajaks kui ülal mainitud, kui kasutatakse registreerimist veebisaidil www.ryobitools.eu kaudu. Registreerimise tingimused on välja pandud kauplustesse ja/või on pakendil. Lõppkasutaja peab oma uued tüüristad veebis registreerima 8 päeva jooksul alates ostukuupäevast. Lõppkasutaja võib registreerida end pikendatud garantiis oma asukohamaal, kui see on esitatud veebis registreerimise loendil, seal kus see vaik on olemas. Peale selle, lõppkasutajad peavad andma nõusoleku enda andmete salvestamiseks, mida vajatakse veebi sisenumiseks ja nõustuma esitatud tingimustega. Pikendatud garantiid kehtivust lõendab e-postiga saadetud registreerimise kinnitusteada, kui algupärane arve, millel on ostukuupäev. Teie seadusjärgsed õigused jäävad mõjutamata.
- Garantiid kehtib kõikidele ostukuupäevast kehtima hakkaval garantiiperioodil ilmnenu rike suhtes, mis on tingitud töötamis- või materjalivigadest. Garantiid on piiratud remondi ja/või asendamise ja ei sisalda muid kohustusi, kuid mitte ainult, kaasneva või tuleneva kahju eest. Garantiid ei kehti, kui toodet on väärkasutatud, kasutusjuhendis nimetatud otstarbele mittevastavalt kasutatud või toode on ebaõigesti ühendatud. See garantiid ei rakendu järgmistel juhtudel:
 - tootel on mingi vigastus, mis on põhjustatud ebaõigest kasutamisest,
 - toodet on mingil viisil ümber ehitatud või muudetud,
 - toote algupärane tuvastusmarkering (kaubamärk, seerianumber) on kahjustatud, ümber tehtud või eemaldatud,
 - tootel on mingi vigastus, mis on tingitud kasutusjuhendi mittejälgimisest,
 - toode ei ole CE-märgisega,
 - toodet on püüdnud parandada ebapädev spetsialist või seda on tehtud ilma Techtron Industries volitusteta,
 - toode on ühendatud selleks mitteettnähtud elektritoitevõrguga (väär voolu tugevus, pinge või sagedus),
 - tootes on kasutatud mitteettnähtud kütusesegu (kütus, õli, väär õli vahetkord),
 - tootel on vigastus välistõrjumist (keemilised või füüsilised mõjud või löögid),
 - toote varuosadel ilmneb tavapärane kulumine,
 - toodet on ebaõigesti kasutatud või üle koormatud,
 - tootel on kasutatud mitteettnähtud tarvikuid või osi,
 - toote karburaator pärast 6 kuu möödumist, toote karburaatori sätteid pärast 6 kuu möödumist,
 - toote koostesadel (osad ja tarvikud) ilmneb tavapärane kulumine järgmistel detailidel (kuid mitte ainult): etteandenu, ajamirihmad, sidur, hekiõikuri või muruniiduki terad, rakmed, gaasitross, süsinikharjad, toitejuhe, piid, viilseidid, vedrutihvid, puhumisventilaatorid, puhuri ja imuri torud, imisüsteemi kotid ja ribad, juhtvardad, saeketid, voolikud, õhendusliitmikud, düüsid, rattad, pihustustorud, siseturmid, välispooled, lõikeõhvid, süüteküünlad, õhufiltrid, gaasifiltrid, multšimisterad jne.
- Hooldamiseks tuleb toode saata või tuua mõnda RYOBI volitatud hoolduspunkti, mis on esitatud loendis iga riigi jaoks ja milles on hoolduspunkti aadressid. Mõnes riigis kohustub RYOBI edasimüüja saatma toote RYOBI hooldusasutusse. Kui toode saadetakse RYOBI hooldusasutusse, tuleb toode turvaliselt ära pakkida ilma, et sellesse jääks ohtlikku sisu, näiteks bensiin ja pakendile tuleb märkida saatja aadress ja riike lühikirjeldus.
- Selle garantiid alusel tehtud remont/asendus on tasuta. Sellega ei kaasne garantiiperioodi pikemine või uue garantiiperioodi algus. Asendatud osad ja tüüristad jäävad meie omandusse. Mõnes riigis tuleb saate- või postikulud tasuda saatja poolt.
- See garantiid kehtib Euroopa Liidus, Šveitsis, Islandil, Norras, Liechtensteinis, Türgis ja Venemaal. Väljaspool neid riike võtke ühendust Ryobi volitatud edasimüüjaga, et teada saada teistsuguste garantiid kehtivus.

VOLITATUD HOOLDUSKESKUS

Oma volitatud hoolduskeskuse leiate veebisaidil <http://uk.ryobitools.eu/header/service-and-support/service-agents>.

HR JAMSTVO

U dodatku svih zakonskih prava koja proizlaze kao rezultat kupnje, ova proizvod pokriven je jamstvom kao što je utvrđeno u nastavku.

- Jamstveno razdoblje je 24 mjeseca za korisnike, a započinje na datum kupnje proizvoda. Ovaj datum treba biti dokumentiran računom ili nekim drugim dokazom o kupnji. Proizvod je dizajniran i namijenjen samo za korisnike i osobno korištenje. Stoga nema omogućenog jamstva u slučaju profesionalnog ili komercijalnog korištenja.
- U nekim slučajevima (primjerice promocije, paleta alata) postoji mogućnost produženog jamstvenog razdoblja preko gore navedenog razdoblja korištenjem registracije na web mjestu www.ryobitools.eu. Sukladnost alata jesno je prikazana u trgovini ili na pakiranju. Krajnji korisnik treba registrirati svoje novo pribavljene alate na mreži unutar 8 dana od datuma kupnje. Krajnji korisnik može se registrirati za produženo trajanje jamstva u svojoj zemlji stanovanja ako je navedena na mrežnom obrascu za registraciju gdje je ova opcija valjana. Nadalje, krajnji korisnici moraju dati svoje odobrenje za spremanje podataka koji su potrebni za unos na mreži i moraju prihvatiti uvjete i odredbe. primlak potvrde o registraciji, koja se šalje e-poštom i originalni račun koji prikazuje datum kupnje služe kao dokaz produženog jamstva. Vaša zakonska prava ostaju nepromijenjena.
- Jamstvo pokriva sve kvarove proizvoda tijekom jamstvenog razdoblja zbog pogreški u izradi ili materijalu na datum kupnje. Jamstvo je ograničeno na popravak ili zamjenu i ne uključuje nikakve druge obveze uključujući no ne ograničavajući se na slučajne ili posljedice štete. Jamstvo nije valjano ako je proizvod pogrešno korišten, korišten suprotno od korisničkog priručnika ili je nepravilno priključen. Ovo jamstvo se ne primjenjuje na:
 - svako oštećenje proizvoda koje je rezultat nepravilnog održavanja
 - svaki proizvod koji je izmijenjen ili modificiran
 - svaki proizvod gdje su originalne identifikacijske oznake (zaštitni znak, serijski broj) izbrisane, zamijenjene ili uklonjene
 - svako oštećenje uzrokovano neprikladnim korištenjem korisničkog priručnika
 - svaki proizvod koji nije CE
 - svaki proizvod koji je pokušao popraviti neovlašten profesionalac ili bez prethodnog odobrenja od strane Techtron Industries
 - svaki proizvod priključen na nepravilno napajanje energijom (amperi, napon, frekvencija)
 - Svaki proizvod korišten s neodgovarajućom mješavinom (gorivo, ulje, postotak ulja)
 - svako oštećenje uzrokovano vanjskim utjecajima (kemijsko, fiziko, udar) ili stranim stvarima
 - normalno trošenje i habanje rezervnih dijelova
 - nepravilno korištenje, preopterećenje alata
 - korištenje neodobrenog dodatnog pribora ili dijelova
 - rasplinjača nakon 6 mjeseci, podešavanje rasplinjača nakon 6 mjeseci
 - komponente (dijelovi i dodatni pribor) koji su predmet prirodnog trošenja i habanja, uključujući no ne ograničavajući se na gumbce za otpuštanje, pogonske remene, spojku, oštrice trimera za grmlje ili kosilicu, kope, sajle gasa, ugljene četke, kabele za napajanje, noževe, podloške, ztkice za zgloznu vezu, ventilatore puhalice, cijevi za ispuhivanje i usisavanje, vakuumske vrećice i trake, vodilice, lance pile, crijeva, priključene elemente, mlaznice za raspršivanje, kotače, kopljia za raspršivanje, unutarnje kolute, vanjske kaleme, flaksove, svječice, filtre za zrak, filtre za plin, oštrice za usitnjavanje itd.
- Za servisiranje, proizvod se mora poslati ili predati ovlaštenoj stanici za servis tvrtke RYOBI navedenoj za svaku zemlju u sljedećem popisu adresa stanica za servis. U nekim zemljama vaši lokalni RYOBI zastupnik obavezan je poslati proizvod u servisnu organizaciju tvrtke RYOBI. Prilikom slanja proizvoda u stanicu za servis tvrtke RYOBI, proizvod treba biti sigurno pakiran bez ikakvog opasnog sadržaja poput benzina, s označenom adresom pošiljatelja i pripadajućim kratkim opisom pogreške.
- Popravak/zamjena pod ovim jamstvom se ne naplaćuje. Ne produžuje zakonsko ili ne započinje novo jamstveno razdoblje. Zamijenjeni dijelovi ili alati postaju naše vlasništvo. U nekim zemljama pošiljatelj plaća poštarinu.
- Ovo jamstvo je valjano u Europskoj zajednici, Švicarskoj, Islandu, Norveškoj, Lichtenštajnu, Turskoj i Rusiji. Izvan ovih područja molimo vas da kontaktirate vašeg ovlaštenog zastupnika RYOBI kako biste odredili ako se primjenjuje druga jamstva.

OVLAŠTENI SERVISNI CENTAR

Za pronalaženje ovlaštenog servisnog centra pored vas posjetite <http://uk.ryobitools.eu/header/service-and-support/service-agents>.

SL GARANCIJA

Poleg kakršnih koli zakonskih pravic, ki jih pridobite z nakupom, za ta izdelek velja tudi garancija, kot je opisano spodaj.

- Garancijsko obdobje je 24 mesecev za potrošnike in se začne z datumom nakupa. Ta datum mora biti dokumentiran z računom ali drugim dokazilom o nakupu. Izdelek je namenjen in posevčen le potrošniški in zasebni uporabi. Zato garancija ne velja za profesionalno ali komercialno uporabo.
- V nekaterih primerih (npr. promocija, obseg orodij) obstaja možnost podaljšanja garancijskega obdobja prek zgoraj opisanega obdobja, kar je mogoče storiti z registracijo na spletnem mestu www.ryobitools.eu. Namen orodja je jasno označen v trgovinah in/ali na embalaži. Končni uporabnik mora svoje novo orodje registrirati prek spleta v 8 dneh od datuma nakupa. Končni uporabnik se lahko registrira za podaljšano garancijo v svoji državi, kjer ima stalno prebivališče, če je država vključena na seznam v obrazcu za registracijo, kjer je ta možnost veljavna. Poleg tega mora končni uporabnik odobriti shranjevanje podatkov, ki so potrebni za spletni vstop, in morajo sprejeti pogoje in določila. Potrdilo o registraciji, ki se pošlje po e-pošti, ter originalni račun, na katerem je naveden datum nakupa, veljata kot dokazilo o podaljšani garanciji. Vaše zakonske pravice ostanejo nespremenjene.
- Garancija krje vse okvare izdelka med garancijskim obdobjem zaradi napak v izdelavi ali materialu na datum nakupa. Garancija je omejena na popravilo/zamenjavo in ne vključuje drugih obveznosti, med drugim ne vključuje obveznosti zaradi nenamerne ali posledične škode. Garancija ni veljavna, če je bil izdelek zlorabljen, uporabljen v nasprotju z navodili za uporabo ali nepravilno priključen. Garancija ne velja:
 - za kakršno koli poškodbo izdelka, ki je posledica neprimernega vzdrževanja,
 - če je bil izdelek spremenjen ali modificiran,
 - če so originalne identifikacijske oznake (blagovna znamka, serijska številka) na izdelku poškodovane, spremenjene ali odstranjene,
 - če je do poškodbe prišlo zaradi neupoštevanja navodil za uporabo,
 - za katere koli izdelke, ki niso skladni z oznako CE,
 - če je izdelek poskusil opraviti neusposobljen strokovnjak ali brez predhodne odobritve družbe Techtronic Industries,
 - če je bil izdelek priključen na neustrezno električno omrežje (jakost, napetost, frekvenca),
 - če je bil izdelek uporabljen z neustrezno mešanico goriva (gorivo, olje, odstotek olja),
 - če je do poškodbe prišlo zaradi zunanjih vplivov (kemični, fizični, udarci) ali tujih snovi,
 - za normalno obrabo nadomestnih delov,
 - neustrezne uporabe, preobremenitve orodja,
 - uporabe neodobrenih dodatkov ali delov,
 - za uplinjač po 6 mesecih, prilagoditve uplinjača po 6 mesecih,
 - za sestavne dele (dele in dodatke), ki so podvrženi normalni obrabi, med drugim za vzmetne gume, pogonske jermene, sklopko, rezila obrezovalnikov ali kosilnic, nosilni trak, kabelske dušilke, karbonskih krtačk, napajalnega kabla, zobovje, polstene podložke, varnostne zatiče, ventilatorje, puhalne in sesalne cevi, sesalne vreče in trakove, vodila, verige za žage, gibljive cevi, nastavke priključkov, pršilne šobe, kolesa, pršilne palice, notranje kolute, zunanja vretena, rezalne nitke, vžigalne svečke, zračne filtre, plinske filtre, drobilna rezila itd.,
- Za servisiranje je treba izdelek poslati ali prinesiti v pooblaščen servisni center RYOBI, ki je za vsako državo naveden na naslednjem seznamu z naslovi servisnih centrov. V nekaterih državah pošiljanje izdelka servisnemu centru RYOBI prevzame lokalni trgovec z izdelki RYOBI. Za pošiljanje servisnemu centru RYOBI mora biti izdelek varno zapakiran, brez kakršnih koli nevarnih snovi, npr. gorivo, označen z naslovom pošiljatelja, priložen pa mora biti kratek opis napake.
- Popravilo/nadomestilo v sklopu te garancije je brezplačno. Ne pomeni podaljšanja ali novega začetka garancijskega obdobja. Zamenjani deli ali orodja postanejo naša last. V nekaterih državah mora stroške pošiljanja ali dostave poravnati pošiljatelj.
- Ta garancija je veljavna v Evropski skupnosti, Švicji, na Islandiji, Norveškem, v Liechtensteinu, Turčiji in Rusiji. Izven teh področij stopite v stik s pooblaščenim trgovcem RYOBI, da ugotovite, ali velja katera druga garancija.

POOBLAŠČEN SERVISNI CENTER

Pooblaščen servisni center blizu vas poiščite na <http://uk.ryobitools.eu/header/service-and-support/service-agents>.

SK ZÁRUKA

Okrem zákonných práv vyplývajúcich zo zakúpenia je tento produkt pokrytý zárukou, ako je uvedené nižšie.

- Záručná doba pre spotrebiteľov je 24 mesiacov a začína dňom zakúpenia produktu. Tento dátum musí byť zdokumentovaný faktúrou alebo iným dokladom o kúpe. Tento produkt je navrhnutý a určený len na potrebné a osobné použitie. Takže v prípade profesionálneho alebo komerčného použitia neplatí žiadna záruka.
- V niektorých prípadoch (napr. reklamná akcia, rad produktov) existuje možnosť predĺženia záručnej doby nad dobu uvedenú vyššie pomocou registrácie na webovej stránke www.ryobitools.eu. Spôsobilosť nástroja je zreteľne zobrazená v obchodoch a ha obale. Koncový používateľ si musí zaregistrovať svoje novonadobudnuté nástroje online do 8 dní odo dňa zakúpenia. Koncový používateľ sa môže zaregistrovať za účelom získania predĺženej záruky vo svojej krajine, ak je uvedená v online registračnom formulári, kde je táto možnosť platná. Okrem toho musia koncoví používatelia poskytnúť súhlas k uloženiu údajov, ktoré sa zadávajú online a musia súhlasiť so zmluvnými podmienkami. Doklad s potvrdením o registrácii, ktorý posielame prostredníctvom e-mailu a originál faktúry s uvedeným dátumom zakúpenia slúžia ako dôkaz predĺženej záruky. Vaše zákonné práva ostávajú nedotknuté.
- Táto záruka pokrýva všetky poruchy produktu počas záručnej doby, ktoré vznikli následkom nedostatkov vo vypracovaní alebo materiáli v deň zakúpenia. Táto záruka je omezená na opravu alebo výmenu a nezahŕňa ďalšie povinnosti, napríklad vedľajšie alebo následné škody. Táto záruka je neplatná, ak bol produkt požívaný nesprávne, používaný v rozpore s návodom na použitie alebo nesprávne pripojený. Táto záruka sa nevzťahuje na:
 - akékoľvek poškodenie produktu, ku ktorému došlo následkom nesprávnej údržby
 - akýkoľvek produkt, ktorý bol pozmenený alebo upravený
 - akýkoľvek produkt, na ktorom boli poškodené pozmenené alebo odstránené originálne identifikačné znaky (obchodná známka, sériové číslo)
 - akékoľvek poškodenie spôsobené následkom neododržania návodu na použitie
 - akýkoľvek produkt iný ako CE
 - akýkoľvek produkt, o ktorého opravu sa pokúšal nekvalifikovaný odborník alebo v prípade opravy bez predchádzajúceho oprávnenia od spoločnosti Techtronic Industries
 - akýkoľvek produkt pripojený k nesprávnejmu napájaciemu zdroju (prúd, napätie, frekvencia)
 - akýkoľvek produkt použitý v nevhodnou palivovou zmesou (palivo, olej, percento oleja)
 - akékoľvek poškodenie spôsobené vonkajšími vplyvmi (chemické, fyzické, nárazy) alebo cudzími látkami
 - bežné opotrebenie náhradných dielov
 - nesprávne používanie a pretážovanie nástroja
 - používanie neschváleného príslušenstva alebo dielov
 - karburátor po 6 mesiacoch, úpravy karburátora po 6 mesiacoch
 - komponenty (diely a príslušenstvo), ktoré podliehajú prirodzenému opotrebeniu, napríklad pružinové tlačidlá, hnacie remene, spojka, ostria strihača živého plotu alebo kosačky trávy, postroj, ťahadlo škrťacej klapky, uhľikové kefky, napájaci kábel, končeky, plstené podložky, kolký s háčikom, ventilátory dýchadla, rúrky dýchadla a vysávača, vrecko a remene vysávača, vodiace lišty, pilové reťaze, hadice, konektorové armatúry, rozprašovače trysky, koleska, striekacie tyče, vnútorné navijaky, vonkajšie cievy, rezné drôty, zapalovače sviečky, vzduchové filtre, benzínové filtre, mulčovacie ostria a pod.
- Na servis sa musí produkt odoslať alebo predložiť autorizovanému servisnému centru RYOBI uvedenému pre každú krajinu v nasledujúcom zozname adres servisných staníc. V niektorých krajinách pošle produkt do servisnej organizácie RYOBI váš miestny predajca produktov RYOBI. Pri odosielaní produktu do servisnej stanice RYOBI musí byť produkt bezpečne zabalený bez akéhokoľvek nebezpečného obsahu, napríklad paliva, označený adresou odosielateľa a musí byť k nemu priložený krátky popis poruchy.
- Oprava či výmena v rámci tejto záruky je bezplatná. Nevplyvva z nej predĺženie či nový začiatok záručnej doby. Vymenené diely alebo nástroje sa stávajú našim majetkom. V niektorých krajinách doručovací poplatok alebo poštovné platí odosielateľ.
- Táto záruka je platná v Európskej únii, Švajčiarsku, na Islande, v Nórsku, Lichtenštajnsku, Turecku a Rusku. Mimo týchto oblastí kontaktujte autorizovaného predajcu spoločnosti Ryobi, u ktorého zistíte, či platí nejaká iná záruka.

AUTORIZOVANÉ SERVISNÉ CENTRUM

Ak chcete nájsť najbližšie autorizované servisné centrum, navštívte stránku <http://uk.ryobitools.eu/header/service-and-support/service-agents>.

BG ГАРАНЦИЯ

В допълнение към законоустановените права, произтичащи от покупката, този продукт е обхванат от гаранция, както е изложено по-долу.

- Гаранционният срок е 24 месеца за клиенти и започва да тече от деня на закупуване на продукта. Тази дата трябва да се докаже с фактура или друго доказателство за покупка. Продуктът е изработен и предназначен само за потребителска и лична употреба. Следователно не се дава гаранция в случай на използване от професионалисти или с търговска цел.
- В някои случаи (като промоция, гама инструменти) съществува възможност за удължаване на гаранционния срок след изтичането на описания тук чрез регистрация на уеб сайта www.yobitools.eu. Дали инструментът отговаря на условията за такова удължаване, ясно показано в магазини и/или върху опаковката. Крайният потребител трябва да регистрира своите новопридобити инструменти онлайн в рамките на 8 дни от датата на покупка. Крайният потребител може да се регистрира за удължена гаранция в държавата си на пребиваване, ако е посочена във формуляра за онлайн регистрация като място, където тази опция е валидна. Освен това крайните потребители трябва да дадат съгласието си за съхранение на данните, които са задължителни за ползване онлайн, и трябва да приемат общите условия. Полученото потвърждение за регистрация, изпратено по имейл, и оригиналната фактура, показваща датата на покупка, ще служат като доказателство за удължената гаранция. Законоустановените Ви права остават незаосенати.
- Гаранцията покрива всички дефекти на продукта по време на гаранционния срок, които се дължат на проблеми в изработката или материалите към момента на покупката. Гаранцията е ограничена до ремонт и/или замяна и не включва други задължения, включително, но не само, случайни или закономерни щети. Гаранцията е невалидна, ако продуктът е използван неправилно или в противоречие с ръководството с инструкции, както и ако е свързан неправилно. Тази гаранция не важи за:
 - щети по продукта в резултат на неправилна профилировка;
 - продукти, които са били изменени или модифицирани;
 - продукт, при който оригиналните маркировки за идентификация (търговска марка, серийн номер) са изтрети, променени или премахнати;
 - повреда, причинена от неспазване на ръководството с инструкции;
 - продукт без CE маркировка;
 - продукт, за който е направен опит за ремонт от невалифициран специалист или без предварително разрешение от Technonic Industries;
 - продукт, свързан към неподходящо електрохранване (ампераж, волтаж, честота);
 - продукт, използван с неподходяща горивна смес (гориво, масло, процент масло);
 - щети, причинени от външни влияния (химични, физични, удари) или чужди вещества;
 - нормално износване на резервни части;
 - неподходяща употреба, претоварване на инструмента;
 - използване на неодобрени аксесоари или части;
 - карбуратор след 6 месеца, настройки на карбуратора след 6 месеца;
 - компоненти (част и аксесоари), подложени на естествено износване, включително, но не само, кошчета за тласкане, задвижващи ремъци, съединител, остриета на ножци за жив плет, косачки, самар, кабелен дросел, карбонови четки, захванващ кабел, остриета, фицови шайби, осигурителни цифрове, вентилатори на уреди за обдухване, тръби за обдухване и всмукване, торба за отпадъци и ремъци, водеща шпера, вериги за триони, маркучи, фитинги на конектори, дюзи, копела, пръскалки, вътрешни и външни макари, рещесто влакно, запалителни свещи, въздушни филтри, горивни филтри, остриета за мулчиране и т.н.
- За обслужване продуктът трябва да се изпрати или занесе на авторизиран сервиз на RYOBI, посочен за всяка държава в следния списък с адреси на сервиси. В някои държави местният търговец на RYOBI поема да изпрати продукта до сервизен център на RYOBI. При изпращане на продукт до сервиз на RYOBI продуктът трябва да е опакован безопасно без опасност съдържане, като бензин, да е маркиран с адреса на подателя и придружен от кратко описание на повредата.
- Ремонтът или замяната по силата на тази гаранция са безплатни. Те не водят до удължаване или подновяване на гаранционния срок. Сменените части или инструменти стават наша собственост. В някои държави таксите за доставка или изпращане трябва да се платят от подателя.
- Тази гаранция е валидна в Европейската общност, Швейцария, Исландия, Норвегия, Лихтенщайн, Турция и Русия. Извън тези области се свържете с упълномощения търговец на RYOBI, за да се установи дали са приложими други гаранции.

УПЪЛНОМОЩЕН СЕРВИЗЕН ЦЕНТЪР

За да намерите упълномощен сервизен център близо до вас, посетете <http://uk.yobitools.eu/header/service-and-support/service-agents>.

UK ГАРАНТИЯ

На додаток до любих законних прав, що випливають з покупки, цей продукт покривається гарантією, як зазначено нижче.

- Гарантійний термін складає 24 місяці від споживачів і, починається з дати придбання продукту. Ця дата повинна бути задокументована рахунком або іншим документом, що підтверджує покупку. Продукт розроблений і призначений для споживача і тільки для приватного використання. Таким чином, немає ніякої гарантії, у разі професійного або комерційного використання.
- Наведені деякі випадки (наприклад, підтримка, ряд інструментів), можливості розширення гарантійного терміну протягом періоду, описаного вище, з використанням реєстрації на сайті www.yobitools.eu. Придатність інструменту чітко відображається в магазинах та / або на упаковці. Кінцевий користувач повинен зареєструвати його / її ново придбаний інструмент онлайн протягом 8 днів з моменту покупки. Кінцевий користувач може зареєструватися на розширену гарантію у своїй країні проживання, якщо ця країна є в онлайн формі реєстрації, де ця опція діє. Крім того, кінцеві користувачі повинні дати свою згоду на зберігання даних, які необхідні для онлайн входу і вони повинні прийняти терміни та умови. Квитанція підтвердження реєстрації, яка розсилається по електронній пошті, та оригінал рахунку-фактури із зазначенням дати покупки будуть служити доказом розширеної гарантії. Ваші законні права залишаються в силі.
- Гарантія покриває всі дефекти продукту протягом гарантійного періоду, пов'язані з недоліками виготовлення або матеріалу на дату покупки. Гаранція обмежується ремонтом та / або заміною, і не покриває будь-які інші зобов'язання, включаючи, але не обмежуючись випадковими або непрямими збитками. Гарантія не діє, якщо продукт неправильно використовувався всупереч інструкції, або був неправильно підключений. Ця гарантія не поширюється на:
 - будь-яке пошкодження продукту, яке є результатом неправильного технічного обслуговування
 - будь-який продукт, який був модифікований або модифікований
 - будь-який продукт, де оригінальні ідентифікаційні (торгова марка, серийний номер) маркування були зіпсовані, змінені або видалені
 - будь-який збиток, заподіяний в результаті недотримання керівництва з експлуатації
 - будь-який не CE продукт
 - будь-який виріб, який був відремонтований неваліфікованим спеціалістом або без попереднього дозволу Technonic Industries
 - будь-який продукт підключений до неналежного живлення (підсилювачі, напруга, частота)
 - будь-який збиток, заподіяний зовнішнім впливом (хімічними, фізичними, ударами) або стороннім речовинами
 - передбачене зношення запасних частин
 - неправильне використання, перевантаження інструменту
 - використання незатверджених запасних частин або аксесуарів
 - карбуратор через 6 місяців, коригування карбуратора після 6 місяців
 - аксесоари електроінструменту надані з інструментом або куплені окремо. Такі винятки включають, але не обмежуються гвинтовою викруткою, свердлами, абразивними дисками, наждачним шпером і лезами, бичним спрямовувачим пристроєм
 - компоненти (частини та аксесоари), схильні до природного зносу, в тому числі, але не обмежуючись щитком, патроном, шнуром живлення, додатковою рукояткою, шліфувальними пластинами, мішком для пилу, витяжною трубою
- Для обслуговування виріб має бути відправлено або представлено в уповноважений RYOBI центр технічного обслуговування, перерахований для кожної країни в наступному списку адресів технічних центрів. У деяких країнах місцевий дилер RYOBI зобов'язується відправити виріб в сервісній організації RYOBI. При відправці продукту до станції технічного обслуговування RYOBI, продукт повинен бути надійно упакований, без жодного небезпечного вмісту, такого як бензин, відмічений адресною відправника і супроводжуватися коротким описом несправності.
- Ремонт / заміна по гарантії безкоштовні. Це не розширює або не починає новий гарантійний термін. Замінені частини або інструменти стають нашою власністю. У деяких країнах вартість доставки або відсилки повинні бути оплачені відправником.
- Ця гарантія дієсна в Європейському Співтоваристві, Швейцарії, Ісландії, Норвегії, Лихтенштейні, Туреччині та Росії. За межами цих областей, будь ласка, зв'яжіться з офіційним дилером RYOBI, щоб визначити, якщо поширюється інша гарантія

АВТОРИЗОВАНІ СЕРВІСНІ ЦЕНТРИ

Для отримання оновленого переліка авторизованих сервісних центрів, відвідайте <http://uk.yobitools.eu/header/service-and-support/service-agents>

EN EC DECLARATION OF CONFORMITY

Techtronic Industries GmbH
Max-Eyth-Straße 10, 71364 Winnenden, Germany

Herewith we declare that the product

Cordless pole hedge trimmer
Brand: Ryobi
Model number: RPT184515/OPT1845
Serial number range:
RPT184515: 44445101000001 - 44445101999999
OPT1845: 44445201000001 - 44445201999999

is in conformity with the following European Directives and harmonised standards
2006/42/EC, 2004/108/EC (until 19 April 2016), 2014/30/EU (from 20 April 2016), 2000/14/EC, 2005/88/EC,
2011/65/EU, EN 60745-1:2009+A11:2010, EN ISO 10517:2009+A1:2013, EN ISO 3744:2010,
EN 55014-1:2006+A1:2009+A2:2011, EN 55014-2:1997+A1:2001+A2:2008, EN50581:2012

Measured sound power level: 92.8 dB(A)
Guaranteed sound power level: 95 dB(A)
Conformity assessment method to Annex V Directive 2000/14/EC amended by 2005/88/EC.

Andrew John Eyre (BEng, CEng, MIET)
Vice President, Regulatory & Safety
Winnenden, Sep. 23, 2015

Authorised to compile the technical file:
Alexander Krug, Managing Director
Techtronic Industries GmbH
Max-Eyth-Straße 10, 71364 Winnenden, Germany

DE EC KONFORMITÄTSERKLÄRUNG

Techtronic Industries GmbH
Max-Eyth-Straße 10, 71364 Winnenden, Germany

Hiermit erklären wir, dass die Produkte

Kabellosen teleskop heckenschere
Marke: Ryobi
Modellnummer: RPT184515/OPT1845
Seriennummernbereich:
RPT184515: 44445101000001 - 44445101999999
OPT1845: 44445201000001 - 44445201999999

mit den folgenden europäischen Richtlinien und harmonisierten Normen entspricht
2006/42/EC, 2004/108/EC (bis 19 April 2016), 2014/30/EU (ab 20 April 2016),
2000/14/EC, 2005/88/EC,
2011/65/EU, EN 60745-1:2009+A11:2010, EN ISO 10517:2009+A1:2013, EN ISO 3744:2010,
EN 55014-1:2006+A1:2009+A2:2011, EN 55014-2:1997+A1:2001+A2:2008, EN50581:2012

Gemessener Schalleistungspegel: 92.8 dB(A)
Garantierter Schalleistungspegel: 95 dB(A)
Konformitätsbeurteilungsmethode zu Anhang V Richtlinie 2000/14/EC wie durch 2005/88/EC.

Andrew John Eyre (BEng, CEng, MIET)
Vizepräsident, Vorschriften und Sicherheit
Winnenden, Sep. 23, 2015

Autorisiert die technische Datei zu erstellen:
Alexander Krug, Geschäftsführer
Techtronic Industries GmbH
Max-Eyth-Straße 10, 71364 Winnenden, Germany

FR DÉCLARATION DE CONFORMITÉ EC

Techtronic Industries GmbH
Max-Eyth-Straße 10, 71364 Winnenden, Germany

Déclarons par la présente que le produit

Taille-haies sans-fil sur perché
Marque: Ryobi
Numéro de modèle: RPT184515/OPT1845
Étendue des numéros de série:
RPT184515: 44445101000001 - 44445101999999
OPT1845: 44445201000001 - 44445201999999

est conforme aux Directives Européennes et Normes Harmonisées suivantes
2006/42/EC, 2004/108/EC (jusqu'au 19 April 2016), 2014/30/EU (à partir du 20 April 2016), 2000/14/EC, 2005/88/EC,
2011/65/EU, EN 60745-1:2009+A11:2010, EN ISO 10517:2009+A1:2013, EN ISO 3744:2010,
EN 55014-1:2006+A1:2009+A2:2011, EN 55014-2:1997+A1:2001+A2:2008, EN50581:2012

Niveau de puissance sonore mesuré: 92.8 dB(A)
Niveau de puissance sonore garanti: 95 dB(A)
Méthode d'évaluation de conformité de l'annexe V Directive 2000/14/EC modifiée 2005/88/EC.

Andrew John Eyre (BEng, CEng, MIET)
Vice-Président, Réglementation & Sécurité
Winnenden, Sep. 23, 2015

Autorisé à rédiger le dossier technique:
Alexander Krug, Directeur Général
Techtronic Industries GmbH
Max-Eyth-Straße 10, 71364 Winnenden, Germany

ES DECLARACIÓN EC DE CONFORMIDAD

Techtronic Industries GmbH
Max-Eyth-Straße 10, 71364 Winnenden, Germany

Por la presente declaramos que los productos

Cortasetos de altura inalámbrico
Marca: Ryobi
Número de modelo: RPT184515/OPT1845
Intervalo del número de serie:
RPT184515: 44445101000001-44445101999999
OPT1845: 44445201000001 - 44445201999999

se encuentra en conformidad con las siguientes Directivas Europeas y normas armonizadas
2006/42/EC, 2004/108/EC (hasta 19 April 2016), 2014/30/EU (desde 20 April 2016), 2000/14/EC, 2005/88/EC,
2011/65/EU, EN 60745-1:2009+A11:2010, EN ISO 10517:2009+A1:2013, EN ISO 3744:2010,
EN 55014-1:2006+A1:2009+A2:2011, EN 55014-2:1997+A1:2001+A2:2008, EN50581:2012

Nivel de potencia acústica medida: 92.8 dB(A)
Nivel de potencia acústica garantizado: 95 dB(A)
Método de evaluación de conformidad con el anexo V Directiva 2000/14/EC modificada por la 2005/88/EC.

Andrew John Eyre (BEng, CEng, MIET)
Vicepresidente, Director General de Normativa y Seguridad
Winnenden, Sep. 23, 2015

Autorizado para elaborar la ficha técnica:
Alexander Krug, Administrador Ejecutivo
Techtronic Industries GmbH
Max-Eyth-Straße 10, 71364 Winnenden, Germany



IT DICHIARAZIONE DI CONFORMITÀ EC

Techtronic Industries GmbH
Max-Eyth-Straße 10, 71364 Winnenden, Germany

Si dichiara con la presente che il prodotto

Tagliasiepi telescopico senza cavi
Marca: Ryobi
Numero modello: RPT184515/OPT1845
Gamma numero seriale:
RPT184515: 44445101000001 - 44445101999999
OPT1845: 44445201000001 - 44445201999999

è conforme alle seguenti Direttive Europee e ai seguenti standard armonizzati

2006/42/EC, 2004/108/EC (fino a 19 Aprile 2016), 2014/30/EU (fino a 20 Aprile 2016), 2000/14/EC, 2005/88/EC,
2011/65/EU, EN 60745-1:2009+A11:2010, EN ISO 10517:2009+A1:2013, EN ISO 3744:2010,
EN 55014-1:2006+A1:2009+A2:2011, EN 55014-2:1997+A1:2001+A2:2008, EN50581:2012

Livello di potenza acustica misurato: 92.8 dB(A)

Livello di potenza sonora garantita: 95 dB(A)

Metodo di valutazione sulla conformità all'allegato V Direttiva 2000/14/EC modificata con la 2005/88/EC.

Andrew John Eyre (BEng, CEng, MIET)
Vice-Presidente, Dipartimento Regolazioni e Sicurezza
Winnenden, Sep. 23, 2015

Autorizzato per compilare il file tecnico:

Alexander Krug, Direttore Amministrativo
Techtronic Industries GmbH
Max-Eyth-Straße 10, 71364 Winnenden, Germany

PT DECLARAÇÃO EC DE CONFORMIDADE

Techtronic Industries GmbH
Max-Eyth-Straße 10, 71364 Winnenden, Germany

Pelo presente declaramos que os produtos

Cortador de sebes sem fios
Marca: Ryobi
Número do modelo: RPT184515/OPT1845
Intervalo do número de série:
RPT184515: 44445101000001 - 44445101999999
OPT1845: 44445201000001 - 44445201999999

se encontra em conformidade com as seguintes Directivas Europeias e normas harmonizadas

2006/42/EC, 2004/108/EC (até 19 Abril 2016), 2014/30/EU (desde 20 Abril 2016), 2000/14/EC, 2005/88/EC,
2011/65/EU, EN 60745-1:2009+A11:2010, EN ISO 10517:2009+A1:2013, EN ISO 3744:2010,
EN 55014-1:2006+A1:2009+A2:2011, EN 55014-2:1997+A1:2001+A2:2008, EN50581:2012

Nível de potência sonora medido: 92.8 dB(A)

Nível de potência sonora garantido: 95 dB(A)

Método de avaliação de conformidade para o anexo V Diretiva 2000/14/EC alterada por 2005/88/EC.

Andrew John Eyre (BEng, CEng, MIET)
Vice-Presidente, Regulamentação e Segurança
Winnenden, Sep. 23, 2015

Autorizado para compilar o ficheiro técnico:

Alexander Krug, Administrador Executivo
Techtronic Industries GmbH
Max-Eyth-Straße 10, 71364 Winnenden, Germany



NL EC CONFORMITEITSVERKLARING

Techtronic Industries GmbH
Max-Eyth-Straße 10, 71364 Winnenden, Germany

Hierbij verklaren wij dat het product

Snoerloze telescopische heggeschaar
Merk: Ryobi
Modelnummer: RPT184515/OPT1845
Serienummerbereik:
RPT184515: 44445101000001 - 44445101999999
OPT1845: 44445201000001 - 44445201999999

is in overeenstemming met de volgende Europese Richtlijnen en geharmoniseerde normen

2006/42/EC, 2004/108/EC (tot 19 April 2016), 2014/30/EU (vanaf 20 April 2016), 2000/14/EC, 2005/88/EC,
2011/65/EU, EN 60745-1:2009+A11:2010, EN ISO 10517:2009+A1:2013, EN ISO 3744:2010,
EN 55014-1:2006+A1:2009+A2:2011, EN 55014-2:1997+A1:2001+A2:2008, EN50581:2012

Gemeten geluidsniveau: 92.8 dB(A)

Gegarandeerd geluidsniveau: 95 dB(A)

Evaluatiemethode conformiteit volgens bijlage V Richtlijn 2000/14/EC gewijzigd door 2005/88/EC.

Andrew John Eyre (BEng, CEng, MIET)
Vice-president, Regelgeving en Veiligheid
Winnenden, Sep. 23, 2015

Afgevaardigde voor het samenstellen van de technische fiche:

Alexander Krug, Directeur
Techtronic Industries GmbH
Max-Eyth-Straße 10, 71364 Winnenden, Germany



DA EC OVERENSSTEMMELSESRKLÆRING

Techtronic Industries GmbH
Max-Eyth-Straße 10, 71364 Winnenden, Germany

Vi erklærer hermed, at produktet

Ledningsfri stanghækkeklipper
Brand: Ryobi
Modelnummer: RPT184515/OPT1845
Serienummerområde:
RPT184515: 44445101000001 - 44445101999999
OPT1845: 44445201000001 - 44445201999999

er i overensstemmelse med følgende EU-direktiver og harmoniserede standarder

2006/42/EC, 2004/108/EC (indtil 19 April 2016), 2014/30/EU (fra 20 April 2016), 2000/14/EC, 2005/88/EC,
2011/65/EU, EN 60745-1:2009+A11:2010, EN ISO 10517:2009+A1:2013, EN ISO 3744:2010,
EN 55014-1:2006+A1:2009+A2:2011, EN 55014-2:1997+A1:2001+A2:2008, EN50581:2012

Målt støjniveau: 92.8 dB(A)

Garanteret støjniveau: 95 dB(A)

Overensstemmelsesvurderingsmetode til bilag V Direktiv 2000/14/EC ændret ved 2005/88/EC.

Andrew John Eyre (BEng, CEng, MIET)
Vicepræsident, Regler og Sikkerhed
Winnenden, Sep. 23, 2015

Bemyndiget til at udarbejde det tekniske kartotek:

Alexander Krug, Administrerende Direktør
Techtronic Industries GmbH
Max-Eyth-Straße 10, 71364 Winnenden, Germany



SV EC-KONFORMITETSDEKLARATION

Techtronic Industries GmbH
Max-Eyth-Straße 10, 71364 Winnenden, Germany

Härmed deklarerar vi att produkterna

Kabelfria häcksax på stav
Märke: Ryobi
Modellnummer: RPT184515/OPT1845
Serienummerintervall:
RPT184515: 44445101000001 - 44445101999999
OPT1845: 44445201000001 - 44445201999999

är i enlighet med följande EU-direktiv och harmoniserade standarder
2006/42/EC, 2004/108/EC (till och med 19 April 2016), 2014/30/EU (från och med 20 April 2016), 2000/14/EC, 2005/88/EC,
2011/65/EU, EN 60745-1:2009+A11:2010, EN ISO 10517:2009+A1:2013, EN ISO 3744:2010,
EN 55014-1:2006+A1:2009+A2:2011, EN 55014-2:1997+A1:2001+A2:2008, EN50581:2012

Uppmätt ljudeffektnivå: 92,8 dB(A)
Garanterad ljudeffektnivå: 95 dB(A)
Konformitetsbedömning gjord enligt metod i V Direktiv 2000/14/EC samt tilläggen i 2005/88/EC.

Andrew John Eyre (BEng, CEng, MIET)
Vice President, Regelverk och Säkerhet
Winnenden, Sep. 23, 2015

Godkänd att sammanställa den tekniska filen:
Alexander Krug, VD
Techtronic Industries GmbH
Max-Eyth-Straße 10, 71364 Winnenden, Germany

NO EC-SAMSVARSERKLÆRING

Techtronic Industries GmbH
Max-Eyth-Straße 10, 71364 Winnenden, Germany

Herved erklærer vi at produktet

Elektriske hekkklipper
Märke: Ryobi
Modellnummer: RPT184515/OPT1845
Serienummerserie:
RPT184515: 44445101000001 - 44445101999999
OPT1845: 44445201000001 - 44445201999999

er i samsvar med følgende europeiske direktiver og harmoniserte standarder
2006/42/EC, 2004/108/EC (til 19 April 2016), 2014/30/EU (fra 20 April 2016),
2000/14/EC, 2005/88/EC,
2011/65/EU, EN 60745-1:2009+A11:2010, EN ISO 10517:2009+A1:2013, EN
ISO 3744:2010,
EN 55014-1:2006+A1:2009+A2:2011, EN 55014-2:1997+A1:2001+A2:2008,
EN50581:2012

Målt lydteffektivitet: 92,8 dB(A)
Garantert lydteffektivitet: 95 dB(A)
Metode for vurdering av konformitet til Tillegg V Direktiv 2000/14/EC endret ved 2005/88/EC.

Andrew John Eyre (BEng, CEng, MIET)
Visepresident, Forskrifter og Sikkerhet
Winnenden, Sep. 23, 2015

Autorisert til å sette sammen den tekniske filen:
Alexander Krug, Administrerende Direktør
Techtronic Industries GmbH
Max-Eyth-Straße 10, 71364 Winnenden, Germany

FI EC-SÄÄNNÖSTEN NOUDATTAMINEN

Techtronic Industries GmbH
Max-Eyth-Straße 10, 71364 Winnenden, Germany

Ilmoitamme täten, että tuotteet

Langattoman vespisensaieikkurisi
Tuotemerkki: Ryobi
Mallinumero: RPT184515/OPT1845
Sarjanumeroalue:
RPT184515: 44445101000001 - 44445101999999
OPT1845: 44445201000001 - 44445201999999

noudattaa seuraavia EU-direktiivejä ja harmonoituja standardeja
2006/42/EC, 2004/108/EC (19 April 2016 saakka), 2014/30/EU (20 April 2016 alkaen), 2000/14/EC, 2005/88/EC,
2011/65/EU, EN 60745-1:2009+A11:2010, EN ISO 10517:2009+A1:2013, EN ISO 3744:2010,
EN 55014-1:2006+A1:2009+A2:2011, EN 55014-2:1997+A1:2001+A2:2008, EN50581:2012

Mittattu äänenteho: 92,8 dB(A)
Taattu äänenteho: 95 dB(A)
Säännösten noudattaminen tarkastettu direktiivin 2000/14/EC liitteen V mukaisesti muunnettu direktiivillä 2005/88/EC.

Andrew John Eyre (BEng, CEng, MIET)
Varatoimitusjohtaja, Säästöstenmukaisuus ja Turvallisuus
Winnenden, Sep. 23, 2015

Valtuutettu kokoamaan tekninen tiedosto:
Alexander Krug, Toimitusjohtaja
Techtronic Industries GmbH
Max-Eyth-Straße 10, 71364 Winnenden, Germany

RU ЗАЯВЛЕНИЕ О СООТВЕТСТВИИ ТРЕБОВАНИЯМ ЕС

Techtronic Industries GmbH
Max-Eyth-Straße 10, 71364 Winnenden, Germany

Настоящим мы заявляем, что данный продукт
Беспроводного штангового триммера-кустосреза
Марка: Ryobi
Номер модели: RPT184515/OPT1845
Диапазон заводских номеров:
RPT184515: 44445101000001 - 44445101999999
OPT1845: 44445201000001 - 44445201999999

соответствует требованиям следующих Директив ЕС и согласованных стандартов
2006/42/EC, 2004/108/EC (до 19 апреля 2016), 2014/30/EU (с 20 апреля 2016), 2000/14/EC, 2005/88/EC,
2011/65/EU, EN 60745-1:2009+A11:2010, EN ISO 10517:2009+A1:2013, EN ISO 3744:2010,
EN 55014-1:2006+A1:2009+A2:2011, EN 55014-2:1997+A1:2001+A2:2008, EN50581:2012

Измеренный уровень звуковой мощности: 92,8 dB(A)
Гарантируемый уровень звуковой мощности: 95 dB(A)
Способ оценки соответствия, приложение V к директиве 2000/14/EC с изменениями 2005/88/EC.

Andrew John Eyre (BEng, CEng, MIET)
Вице-Президент По Технике Безопасности И Стандартам
Winnenden, Sep. 23, 2015

Лицо, ответственное за подготовку технической документации:
Alexander Krug, Директор
Techtronic Industries GmbH
Max-Eyth-Straße 10, 71364 Winnenden, Germany



PL DEKLARACJA ZGODNOŚCI EC

Techtronic Industries GmbH
Max-Eyth-Straße 10, 71364 Winnenden, Germany

Niniejszym deklarujemy, że produkty

Bezprzewodowych noży do żywienia na wysięgniku
Marka: Ryobi
Numer modelu: RPT184515/OPT1845
Zakres numerów seryjnych:
RPT184515: 44445101000001 - 44445101999999
OPT1845: 44445201000001 - 44445201999999

jest zgodny z następującymi dyrektywami europejskimi i zharmonizowanymi normami

2006/42/EC, 2004/108/EC (do 19 April 2016), 2014/30/EU (od 20 April 2016),
2000/14/EC, 2005/88/EC,
2011/65/EU, EN 60745-1:2009+A11:2010, EN ISO 10517:2009+A1:2013, EN
ISO 3744:2010,
EN 55014-1:2006+A1:2009+A2:2011, EN 55014-2:1997+A1:2001+A2:2008,
EN50581:2012

Zmierzony poziom natężenia hałasu: 92.8 dB(A)
Maksymalny poziom natężenia hałasu: 95 dB(A)
Metoda ocena zgodności zgodnie z aneksem V Dyrektywa 2000/14/EC zmieniona przez dyrektywę 2005/88/EC.

Andrew John Eyre (BEng, CEng, MIET)
Wiceprezes ds. Zgodności Prawnej i Bezpieczeństwa
Winnenden, Sep. 23, 2015

Osoba upoważniona do sporządzenia dokumentu technicznego:
Alexander Krug, Dyrektor Zarządzający
Techtronic Industries GmbH
Max-Eyth-Straße 10, 71364 Winnenden, Germany

HU EC MEGFELELŐSÉGI NYILATKOZAT

Techtronic Industries GmbH
Max-Eyth-Straße 10, 71364 Winnenden, Germany

Ezúton kijelentjük, hogy a termék

Akkumulátoros teleszkópos sövényvágó
Marka: Ryobi
Típuszám: RPT184515/OPT1845
Sorozatszám tartomány:
RPT184515: 44445101000001 - 44445101999999
OPT1845: 44445201000001 - 44445201999999

megfelel az alábbi Európai irányelvek és harmonizált szabványok vonatkozó rendelkezéseinek

2006/42/EC, 2004/108/EC (2016 April 19-ig), 2014/30/EU (2016 April 19-től),
2000/14/EC, 2005/88/EC,
2011/65/EU, EN 60745-1:2009+A11:2010, EN ISO 10517:2009+A1:2013, EN
ISO 3744:2010,
EN 55014-1:2006+A1:2009+A2:2011, EN 55014-2:1997+A1:2001+A2:2008,
EN50581:2012

Mért hangteljesítményszint: 92.8 dB(A)
Garantált hangteljesítményszint: 95 dB(A)
A megfeleléségi értékelési eljárás a 2000/14/EC irányelv V. függeléke szerint történt által módosított 2005/88/EC irányelv.

Andrew John Eyre (BEng, CEng, MIET)
Alelnök, Megfeleléségi és Biztonsági Területek
Winnenden, Sep. 23, 2015

A műszaki dokumentáció összeállítására felhatalmazott:
Alexander Krug, Ügyvezető Igazgató
Techtronic Industries GmbH
Max-Eyth-Straße 10, 71364 Winnenden, Germany

CS PROHLÁŠENÍ O SHODĚ EC

Techtronic Industries GmbH
Max-Eyth-Straße 10, 71364 Winnenden, Germany

Tímto prohlasujeme, že výrobky

Bezdrátového plotostřihu s dlouhým dosahem
Značka: Ryobi
Číslo modelu: RPT184515/OPT1845
Rozsah sériových čísel:
RPT184515: 44445101000001 - 44445101999999
OPT1845: 44445201000001 - 44445201999999

že tento výrobek je v souladu s evropskými a harmonizovanými standardy

2006/42/EC, 2004/108/EC (do 19 April 2016), 2014/30/EU (od 20 April 2016),
2000/14/EC, 2005/88/EC,
2011/65/EU, EN 60745-1:2009+A11:2010, EN ISO 10517:2009+A1:2013, EN
ISO 3744:2010,
EN 55014-1:2006+A1:2009+A2:2011, EN 55014-2:1997+A1:2001+A2:2008,
EN50581:2012

Změřená hladina akustického výkonu: 92.8 dB(A)
Zaručená hladina akustického výkonu: 95 dB(A)
Soulad s metodou určování pro přílohu V směrnice 2000/14/EC upravená 2005/88/EC.

Andrew John Eyre (BEng, CEng, MIET)
Viceprezident, Normy a Bezpečnost
Winnenden, Sep. 23, 2015

Pověření ke kompilaci technického souboru:
Alexander Krug, Generální Reditel
Techtronic Industries GmbH
Max-Eyth-Straße 10, 71364 Winnenden, Germany

RO DECLARAȚIE DE CONFORMITATE EC

Techtronic Industries GmbH
Max-Eyth-Straße 10, 71364 Winnenden, Germany

Prin prezenta, declarăm că produsele

De tuns gardul viu fără cablu
Marcă: Ryobi
Număr serie: RPT184515/OPT1845
Gamă număr serie:
RPT184515: 44445101000001 - 44445101999999
OPT1845: 44445201000001 - 44445201999999

este în conformitate cu următoarele Directive Europene și standarde armonizate

2006/42/EC, 2004/108/EC (până la 19 April 2016), 2014/30/EU (de la 20 April
2016), 2000/14/EC, 2005/88/EC,
2011/65/EU, EN 60745-1:2009+A11:2010, EN ISO 10517:2009+A1:2013, EN
ISO 3744:2010,
EN 55014-1:2006+A1:2009+A2:2011, EN 55014-2:1997+A1:2001+A2:2008,
EN50581:2012

Nivelul măsurat al puterii acustice: 92.8 dB(A)
Nivel garantat al puterii acustice: 95 dB(A)
Metoda de evaluare a conformității cu Anexa V Directiva 2000/14/EC modificată prin 2005/88/EC.

Andrew John Eyre (BEng, CEng, MIET)
Vicepreședinte, Reglementare & Siguranță
Winnenden, Sep. 23, 2015

Autorizat să completeze fișa tehnică:
Alexander Krug, Director General
Techtronic Industries GmbH
Max-Eyth-Straße 10, 71364 Winnenden, Germany





LV EC ATBILSTĪBAS DEKLARĀCIJA

Techtronic Industries GmbH
Max-Eyth-Straße 10, 71364 Winnenden, Germany

Ar šo paziņojam, ka produkti

Bezvadu dzīvzoga trimeri
Zīmols: Ryobi
Modeļa numurs: RPT184515/OPT1845
Sērijas numura intervāls:
RPT184515: 44445101000001 - 44445101999999
OPT1845: 44445201000001 - 44445201999999

atbilst šādām Eiropas direktīvām un saskaņotajiem standartiem

2006/42/EC, 2004/108/EC (līdz 19 April 2016), 2014/30/EU (no 20 April 2016),
2000/14/EC, 2005/88/EC,
2011/65/EU, EN 60745-1:2009+A11:2010, EN ISO 10517:2009+A1:2013, EN
ISO 3744:2010,
EN 55014-1:2006+A1:2009+A2:2011, EN 55014-2:1997+A1:2001+A2:2008,
EN50581:2012

Izmērītās skaņas jaudas līmenis: 92.8 dB(A)
Garantētais skaņas intensitātes līmenis: 95 dB(A)
Atbilstības novērtēšanas metode pielikumam V Direktīvai 2000/14/EC labota
2005/88/EC.

Andrew John Eyre (BEng, CEng, MIET)
Viceprezidents, Darba Drošības Noteikumi
Winnenden, Sep. 23, 2015

Pilnvarots sastādīt tehnisko failu:
Alexander Krug, Izpildītājs
Techtronic Industries GmbH
Max-Eyth-Straße 10, 71364 Winnenden, Germany

ET EC VASTAVUSDEKLARATSIOON

Techtronic Industries GmbH
Max-Eyth-Straße 10, 71364 Winnenden, Germany

Kinnitame, et see toode

Varrega hektrimmeri
Mark: Ryobi
Mudeli number: RPT184515/OPT1845
Seerianumbri vahemik:
RPT184515: 44445101000001 - 44445101999999
OPT1845: 44445201000001 - 44445201999999

vastab järgmistele Euroopa direktiividele ja harmoniseeritud standarditele

2006/42/EC, 2004/108/EC (kuni 19 April 2016), 2014/30/EU (alates 19 April
2016), 2000/14/EC, 2005/88/EC,
2011/65/EU, EN 60745-1:2009+A11:2010, EN ISO 10517:2009+A1:2013, EN
ISO 3744:2010,
EN 55014-1:2006+A1:2009+A2:2011, EN 55014-2:1997+A1:2001+A2:2008,
EN50581:2012

Mõõdetud helivõimsuse tase: 92.8 dB(A)
Garanteeritud helivõimsuse tase: 95 dB(A)
Vastavushindamine vastavalt lisale V direktiivis 2000/14/EC muudetud direktiiviga
2005/88/EC.

Andrew John Eyre (BEng, CEng, MIET)
Asepresident Standardiseerimise Ja Ohutuse Alal
Winnenden, Sep. 23, 2015

Tehnilise faili koostamiseks volitatud isik:
Alexander Krug, Tegevdirektor
Techtronic Industries GmbH
Max-Eyth-Straße 10, 71364 Winnenden, Germany



LT EC ATITIKTIKIES DEKLARACIJA

Techtronic Industries GmbH
Max-Eyth-Straße 10, 71364 Winnenden, Germany

Mes pareiškiame, kad šie produktai

Belaides gyvatvorių žirkles
Prekės ženklas: Ryobi
Modelio numeris: RPT184515/OPT1845
Serijinio numerio diapazonas:
RPT184515: 44445101000001 - 44445101999999
OPT1845: 44445201000001 - 44445201999999

pagamintas laikantis toliau nurodytųjų Europos Direktyvų ir darniųjų standartų

2006/42/EC, 2004/108/EC (iki 2016 m. April 19 d.), 2014/30/EU (nuo 2016
m. April 20 d.), 2000/14/EC, 2005/88/EC,
2011/65/EU, EN 60745-1:2009+A11:2010, EN ISO 10517:2009+A1:2013, EN
ISO 3744:2010,
EN 55014-1:2006+A1:2009+A2:2011, EN 55014-2:1997+A1:2001+A2:2008,
EN50581:2012

Išmatuotas akustinis lygis: 92.8 dB(A)
Garantuotas akustinis lygis: 95 dB(A)
Atitikties įvertinimo metodas pagal direktyvos 2000/14/EC, V Priedą su pataisomis
2005/88/EC.

Andrew John Eyre (BEng, CEng, MIET)
Kontrolės Ir Saugos Viceprezidentas
Winnenden, Sep. 23, 2015

[galiosas sudaryti techninį failą:
Alexander Krug, Generalinis Direktorius
Techtronic Industries GmbH
Max-Eyth-Straße 10, 71364 Winnenden, Germany



HR EC IZJAVA O USKLADENOSTI

Techtronic Industries GmbH
Max-Eyth-Straße 10, 71364 Winnenden, Germany

Ovim izjavljujemo da su proizvodi

Bežičnog kresača za ogradu
Marka: Ryobi
Broj modela: RPT184515/OPT1845
Raspon serijskog broja:
RPT184515: 44445101000001 - 44445101999999
OPT1845: 44445201000001 - 44445201999999

usklađen sa sljedećim Europskim Direktivama i usklađenim normama

2006/42/EC, 2004/108/EC (do 19 April 2016), 2014/30/EU (da 20 April 2016),
2000/14/EC, 2005/88/EC,
2011/65/EU, EN 60745-1:2009+A11:2010, EN ISO 10517:2009+A1:2013, EN
ISO 3744:2010,
EN 55014-1:2006+A1:2009+A2:2011, EN 55014-2:1997+A1:2001+A2:2008,
EN50581:2012

Izmjerena razina zvučne snage: 92.8 dB(A)
Jamčena razina zvučne snage: 95 dB(A)
Metoda procjene usklađenosti prema Dodatku V Direktive 2000/14/EC navedeno
u 2005/88/EC.

Andrew John Eyre (BEng, CEng, MIET)
Potpredsjednik za Pravila i Sigurnost
Winnenden, Sep. 23, 2015

Ovlašten da sastavi tehničku datoteku:
Alexander Krug, Direktor Upravljanja
Techtronic Industries GmbH
Max-Eyth-Straße 10, 71364 Winnenden, Germany





SL IZJAVA EC O SKLADNOSTI

Techtronic Industries GmbH
Max-Eyth-Straße 10, 71364 Winnenden, Germany

Izjavljamo, da je izdelek

Brezžičnega teleskopskega obrezovalnika žive meje
Znamka: Ryobi
Številka modela: RPT184515/OPT1845
Razpon serijskih številok:
RPT184515: 44445101000001 - 44445101999999
OPT1845: 44445201000001 - 44445201999999

v skladu s sledečimi evropskimi direktivami in harmoniziranimi standardi

2006/42/EC, 2004/108/EC (do 19 April 2016), 2014/30/EU (od 20 April 2016),
2000/14/EC, 2005/88/EC,
2011/65/EU, EN 60745-1:2009+A11:2010, EN ISO 10517:2009+A1:2013, EN
ISO 3744:2010,
EN 55014-1:2006+A1:2009+A2:2011, EN 55014-2:1997+A1:2001+A2:2008,
EN50581:2012

Izmerjena raven zvočne moči: 92.8 dB(A)

Zajamčena raven zvočne moči: 95 dB(A)

Način ugotavljanja skladnosti z aneksom V direktive 2000/14/EC ki je bila spremenjena z 2005/88/EC.

Andrew John Eyre (BEng, CEng, MIET)
Podpredsednik, Zakonodajne In Varnostne Zadeve
Winnenden, Sep. 23, 2015

Pooblaščen oseba za sestavo tehnične dokumentacije:
Alexander Krug, Izvršni Direktor
Techtronic Industries GmbH
Max-Eyth-Straße 10, 71364 Winnenden, Germany

BG ЕС ДЕКЛАРАЦИЯ НА ЗА СЪОТВЕТСТВИЕ

Techtronic Industries GmbH
Max-Eyth-Straße 10, 71364 Winnenden, Germany

C настоящето декларираме, че продуктите

Безжичен хасторез с удължител
Марка: Ryobi
Номер на модела: RPT184515/OPT1845
Обхват на серийни номера:
RPT184515: 44445101000001 - 44445101999999
OPT1845: 44445201000001 - 44445201999999

отговаря на следните директиви на ЕС и хармонизирани стандарти

2006/42/EC, 2004/108/EC (до 19 April 2016), 2014/30/EU (от 20 April 2016),
2000/14/EC, 2005/88/EC,
2011/65/EU, EN 60745-1:2009+A11:2010, EN ISO 10517:2009+A1:2013, EN
ISO 3744:2010,
EN 55014-1:2006+A1:2009+A2:2011, EN 55014-2:1997+A1:2001+A2:2008,
EN50581:2012

Измерено ниво на шум: 92.8 dB(A)

Гарантирано ниво на шум: 95 dB(A)

Метод за оценяване на съответствието с приложението V Директива 2000/14/EC, изменена от 2005/88/EC.

Andrew John Eyre (BEng, CEng, MIET)
Вицепрезидент, Правни Услуги И Безопасност
Winnenden, Sep. 23, 2015

Упълномощено лице за съставяне на техническия файл:
Alexander Krug, Изпълнителен Директор
Techtronic Industries GmbH
Max-Eyth-Straße 10, 71364 Winnenden, Germany

SK PREHLÁSENIE O ZHODE EC

Techtronic Industries GmbH
Max-Eyth-Straße 10, 71364 Winnenden, Germany

Týmto vyhlasujeme, že výrobok

Akumulátorového strihača živého plotu
Značka: Ryobi
Číslo modelu: RPT184515/OPT1845
Rozsah sériových čísiel:
RPT184515: 44445101000001 - 44445101999999
OPT1845: 44445201000001 - 44445201999999

je v súlade s nasledujúcimi Európskymi smernicami a harmonizovanými normami

2006/42/EC, 2004/108/EC (do 19 April 2016), 2014/30/EU (od 20 April 2016),
2000/14/EC, 2005/88/EC,
2011/65/EU, EN 60745-1:2009+A11:2010, EN ISO 10517:2009+A1:2013, EN
ISO 3744:2010,
EN 55014-1:2006+A1:2009+A2:2011, EN 55014-2:1997+A1:2001+A2:2008,
EN50581:2012

Nameraná úroveň hluku: 92.8 dB(A)

Garantovaná úroveň hluku: 95 dB(A)

Spôsob určenia zhody podľa Dodatku V Smernica 2000/14/EC doplnená o 2005/88/EC.

Andrew John Eyre (BEng, CEng, MIET)
Viceprezident, Regulácia a Bezpečnosť
Winnenden, Sep. 23, 2015

Oprávnená osoba na zostavenie technického súboru:
Alexander Krug, Generálny Riaditeľ
Techtronic Industries GmbH
Max-Eyth-Straße 10, 71364 Winnenden, Germany

UK ЕС ДЕКЛАРАЦИЯ ПРО ВІДПОВІДНІСТЬ

Techtronic Industries GmbH
Max-Eyth-Straße 10, 71364 Winnenden, Germany

При цьому ми заявляємо, що продукт

Бездротова газонокосарка полюс
Марка: Ryobi
Номер моделі: RPT184515/OPT1845
Діапазон серійного номеру:
RPT184515: 44445101000001 - 44445101999999
OPT1845: 44445201000001 - 44445201999999

у відповідності з наступними європейськими директивами та гармонізованими стандартами

2006/42/EC, 2004/108/EC (до 19 квітня 2016), 2014/30/EU (від 20 квітня
2016), 2000/14/EC, 2005/88/EC,
2011/65/EU, EN 60745-1:2009+A11:2010, EN ISO 10517:2009+A1:2013, EN
ISO 3744:2010,
EN 55014-1:2006+A1:2009+A2:2011, EN 55014-2:1997+A1:2001+A2:2008,
EN50581:2012

Вимірний рівень звукової потужності: 92.8 dB(A)

Гарантований рівень звукової потужності: 95 dB(A)

Метод оцінки відповідності додаток V Директива 2000/14/EC з поправками, внесеними 2005/88 / EC.

Andrew John Eyre (BEng, CEng, MIET)
Віце-президент, регулювання і безпека
Winnenden, Sep. 23, 2015

Дозвіл на складання технічного файла:
Alexander Krug, керуючий Директор
Techtronic Industries GmbH
Max-Eyth-Straße 10, 71364 Winnenden, Germany











Techtronic Industries GmbH
Max-Eyth-Straße 10,
71364 Winnenden, Germany

961480026-01