

LOYD Aplique



Descripción

Aplique para iluminar hacia arriba y hacia abajo

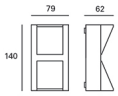
Material estructura: Aluminio. Acabado estructura: Negro. Acabados palas: NA. Material difusor: Cristal.
Acabado difusor: Transparente. Garantía: 5 Años.

Acabado

Negro
Transparente
NA

Material

Aluminio
Cristal



IP54



18

CARACTERÍSTICAS TÉCNICAS

Fuente de luz

Fuente de luz: LED CREE
Potencia (W): 4.1W
Consumo total (W): 5.9 W
Temperatura de color: Blanco cálido - 3000K
CRI: 80
Riesgo fotobiológico: RG2
Lumens reales: 164
Nº Leds: 2
Lm/W reales: 28
Vida útil: 36.000h L70B30
Bin / Grup: 7C1 o 7B4
UGR: 13.8

EQUIPO

Marca: SINOBASE
Equipo incluido: Si, electrónico
Voltaje / Frecuencia: 100-240 VAC
Factor de potencia: 0.49
Flickering: 8.6%

Luminaria

Garantía: 5 Años

Logística

Eficiencia energética: LED A++
EAN: 8435381493875
Peso neto (Kg): 0.475
Peso en Kg (embalado): 0.553
Box: 85 x 70 x 150
Masterbox: 18

El acabado de la fotografía puede no coincidir con el de la referencia. Para identificar el real ver descripción del acabado.

Luminaire

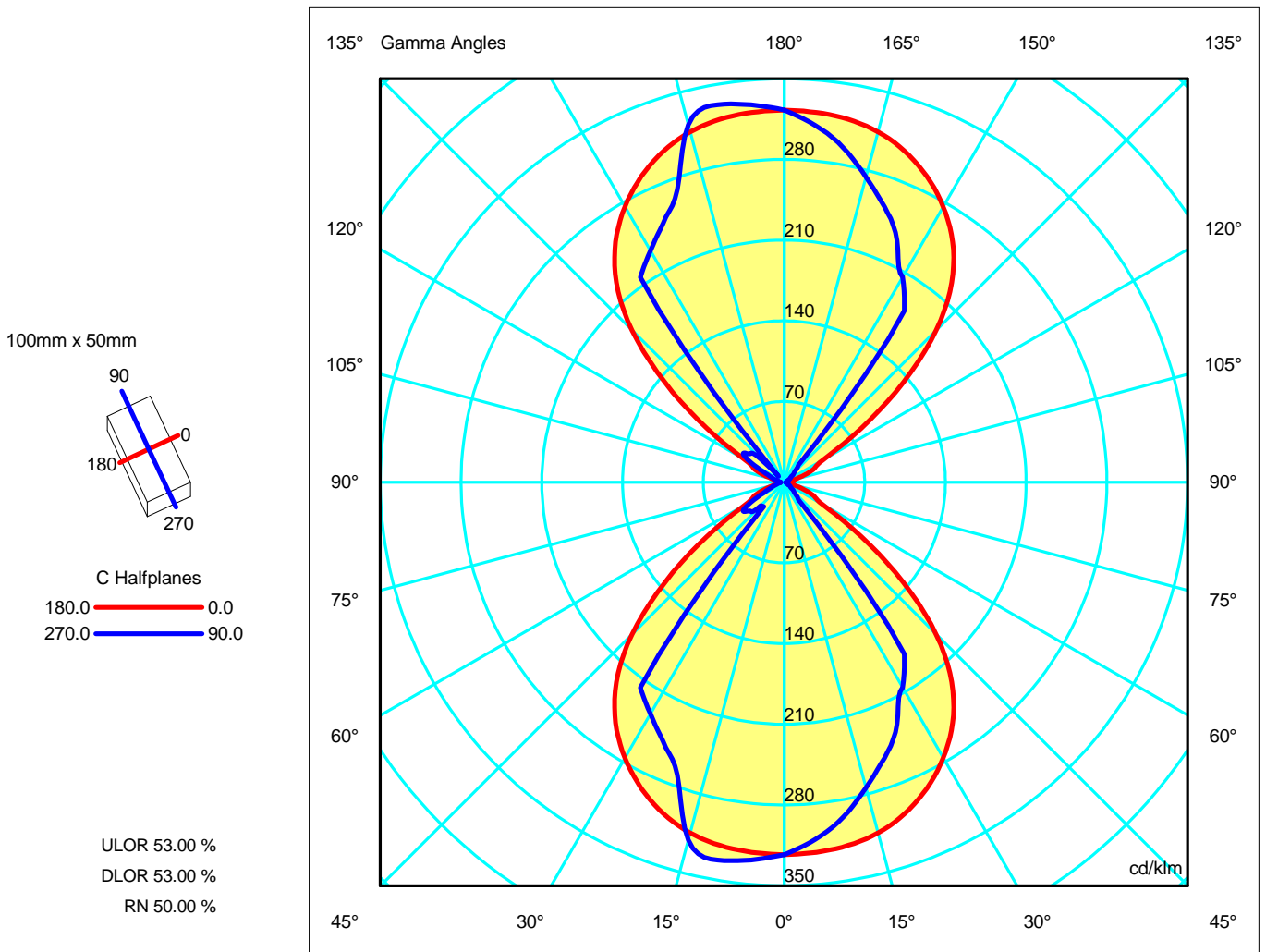
Code PX-0396-NEG
Name APLIQUE BLANCO 6W

Measur.

Code PX-0396-NEG
Name APLIQUE BLANCO 6W

Luminaire Flux	164.45 lm	Luminaire Power	6.00 W	Efficacy	27.41 lm/W	Efficiency	106.00%
Lamps Flux	155.14 lm	Maximum value	332.68 cd/klm	Position	C=270.00 G=10.00	CG	Asymmetrical
Rectangular Luminaire		Length	100 mm	Width	50 mm	Height	170 mm
Rectangular Luminous Area		Length	40 mm	Width	40 mm	Height	0 mm
Horizontal Luminous Area		0.001600 m2		Emitting area on Plane 180°		0.000000 m2	
Emitting area on Plane 0°		0.000000 m2		Emitting area on Plane 270°		0.000000 m2	
Emitting area on Plane 90°		0.000000 m2		Glare area at 76°		0.000387 m2	
Coordinate system		CG		Symmetry Type		Asymmetrical	
Date		03-08-2017		Maximum Gamma Angle		180	
Measurement Distance		0.00		Measurement Flux		155.14 lm	
Operator		LEDS		Source Voltage [V]			
Temperature		25.00 °C		Source current [A]			
Humidity		60.00 %		Photocell			
Notes							

Line		Code	Luminaire Lamps		Flux [lm]	Pow. [W]	Q.ty
		LED	Name	LED	155.14	6.00	1
C.I.E.	73 95 99 50 106		D DIN 5040		C61		
F UTE	0.53 B + 0.53 T		B NBN		BZ 2		





Luminaire
 Code PX-0396-NEG
 Name APLIQUE BLANCO 6W
Measur.
 Code PX-0396-NEG
 Name APLIQUE BLANCO 6W

Luminaire Flux	164.45 lm	Luminaire Power	6.00 W	Efficacy	27.41 lm/W	Efficiency	106.00%
Lamps Flux	155.14 lm	Maximum value	332.68 cd/klm	Position	C=270.00 G=10.00	CG	Asymmetrical

Luminous Intensity Table cd/klm Table 1/1

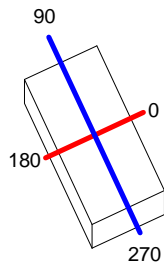
	C 0.00	C 15.00	C 30.00	C 45.00	C 60.00	C 75.00	C 90.00	C 105.00	C 120.00	C 135.00	C 150.00	C 165.00
G 0.0	323.00	323.00	323.00	323.00	323.00	323.00	323.00	323.00	323.00	323.00	323.00	323.00
G 5.0	322.09	319.94	315.68	313.45	311.75	310.83	310.85	310.83	311.75	313.45	315.68	319.94
G 10.0	319.80	313.12	307.60	302.28	298.08	295.48	294.96	295.48	298.08	302.28	307.60	313.12
G 15.0	314.75	308.22	299.01	290.52	286.83	279.96	274.26	279.96	286.83	290.52	299.01	308.22
G 20.0	305.81	297.35	287.62	280.85	270.46	260.62	254.34	260.62	270.46	280.85	287.62	297.35
G 25.0	292.85	282.15	270.05	260.25	251.97	243.12	231.51	243.12	251.97	260.25	270.05	282.15
G 30.0	276.00	263.90	246.75	233.95	226.16	206.70	205.67	206.70	226.16	233.95	246.75	263.90
G 35.0	254.75	242.71	223.81	201.69	199.72	193.03	181.80	193.03	199.72	201.69	223.81	242.71
G 40.0	226.11	216.26	201.39	177.21	118.83	74.76	19.51	74.76	118.83	177.21	201.39	216.26
G 45.0	186.50	181.27	175.75	132.06	31.81	17.01	12.95	17.01	31.81	132.06	175.75	181.27
G 50.0	135.03	134.70	142.46	37.27	11.28	10.94	10.06	10.94	11.28	37.27	142.46	134.70
G 55.0	81.69	83.29	89.03	11.41	8.37	7.35	6.86	7.35	8.37	11.41	89.03	83.29
G 60.0	39.21	39.52	33.19	8.82	6.45	5.75	5.00	5.75	6.45	8.82	33.19	39.52
G 65.0	29.07	26.04	8.56	6.82	5.50	4.38	3.92	4.38	5.50	6.82	8.56	26.04
G 70.0	18.92	16.94	6.71	5.13	4.51	3.49	2.85	3.49	4.51	5.13	6.71	16.94
G 75.0	8.78	8.06	5.19	4.16	3.73	2.96	2.27	2.96	3.73	4.16	5.19	8.06
G 80.0	7.88	5.89	4.24	3.70	3.29	2.90	1.70	2.90	3.29	3.70	4.24	5.89
G 85.0	5.79	4.49	3.67	3.49	3.14	2.97	1.63	2.97	3.14	3.49	3.67	4.49
G 90.0	3.12	3.12	3.12	3.40	3.40	3.43	3.33	3.43	3.40	3.40	3.12	3.12
G 95.0	5.79	4.49	3.67	3.49	3.14	2.97	1.63	2.97	3.14	3.49	3.67	4.49
G100.0	7.88	5.89	4.24	3.70	3.29	2.90	1.70	2.90	3.29	3.70	4.24	5.89
G105.0	8.78	8.06	5.19	4.16	3.73	2.96	2.27	2.96	3.73	4.16	5.19	8.06
G110.0	18.92	16.94	6.71	5.13	4.51	3.49	2.85	3.49	4.51	5.13	6.71	16.94
G115.0	29.07	26.04	8.56	6.82	5.50	4.38	3.92	4.38	5.50	6.82	8.56	26.04
G120.0	39.21	39.52	33.19	8.82	6.45	5.75	5.00	5.75	6.45	8.82	33.19	39.52
G125.0	81.69	83.29	89.03	11.41	8.37	7.35	6.86	7.35	8.37	11.41	89.03	83.29
G130.0	135.03	134.70	142.46	37.27	11.28	10.94	10.06	10.94	11.28	37.27	142.46	134.70
G135.0	186.50	181.27	175.75	132.06	31.81	17.01	12.95	17.01	31.81	132.06	175.75	181.27
G140.0	226.11	216.26	201.39	177.21	118.83	74.76	19.51	74.76	118.83	177.21	201.39	216.26
G145.0	254.75	242.71	223.81	201.69	199.72	193.03	181.80	193.03	199.72	201.69	223.81	242.71
G150.0	276.00	263.90	246.75	233.95	226.16	206.70	205.67	206.70	226.16	233.95	246.75	263.90
G155.0	292.85	282.15	270.05	260.25	251.97	243.12	231.51	243.12	251.97	260.25	270.05	282.15
G160.0	305.81	297.35	287.62	280.85	270.46	260.62	254.34	260.62	270.46	280.85	287.62	297.35
G165.0	314.75	308.22	299.01	290.52	286.83	279.96	274.26	279.96	286.83	290.52	299.01	308.22
G170.0	319.80	313.12	307.60	302.28	298.08	295.48	294.96	295.48	298.08	302.28	307.60	313.12
G175.0	322.09	319.94	315.68	313.45	311.75	310.83	310.85	310.83	311.75	313.45	315.68	319.94
G180.0	323.00	323.00	323.00	323.00	323.00	323.00	323.00	323.00	323.00	323.00	323.00	323.00

	C 180.00	C 195.00	C 210.00	C 225.00	C 240.00	C 255.00	C 270.00	C 285.00	C 300.00	C 315.00	C 330.00	C 345.00
G 0.0	323.00	323.00	323.00	323.00	323.00	323.00	323.00	323.00	323.00	323.00	323.00	323.00
G 5.0	322.09	323.73	325.07	326.25	327.31	328.18	328.77	328.18	327.31	326.25	325.07	323.73
G 10.0	319.80	322.26	324.83	328.01	330.22	331.56	332.68	331.56	330.22	328.01	324.83	322.26
G 15.0	314.75	318.16	324.00	326.57	323.53	319.83	321.05	319.83	323.53	326.57	324.00	318.16
G 20.0	305.81	311.32	319.40	309.43	285.99	270.84	270.36	270.84	285.99	309.43	319.40	311.32
G 25.0	292.85	301.64	305.33	273.37	247.00	245.58	247.91	245.58	247.00	273.37	305.33	301.64
G 30.0	276.00	287.30	280.80	239.52	233.90	231.04	231.74	231.04	233.90	239.52	280.80	287.30
G 35.0	254.75	265.36	249.21	221.01	216.16	189.42	217.34	189.42	216.16	221.01	249.21	265.36
G 40.0	226.11	233.31	217.68	203.31	132.64	58.97	27.50	58.97	132.64	203.31	217.68	233.31
G 45.0	186.50	190.77	188.56	137.93	32.32	28.74	28.46	28.74	32.32	137.93	188.56	190.77
G 50.0	135.03	139.27	151.21	45.33	22.60	40.75	38.46	40.75	22.60	45.33	151.21	139.27
G 55.0	81.69	86.71	98.06	17.88	29.40	41.53	43.35	41.53	29.40	17.88	98.06	86.71
G 60.0	39.21	43.60	38.58	18.83	26.87	30.50	30.08	30.50	26.87	18.83	38.58	43.60
G 65.0	29.07	18.75	12.35	14.20	16.73	18.35	15.79	18.35	16.73	14.20	12.35	18.75
G 70.0	18.92	9.34	7.73	10.08	11.13	11.11	10.42	11.11	11.13	10.08	7.73	9.34
G 75.0	8.78	7.59	7.18	9.13	8.11	7.20	7.08	7.20	8.11	9.13	7.18	7.59
G 80.0	7.88	6.65	5.59	8.54	6.01	5.61	5.16	5.61	6.01	5.59	6.65	7.88
G 85.0	5.79	5.05	4.49	6.90	4.58	4.49	3.51	4.49	4.58	6.90	4.49	5.05
G 90.0	3.12	3.12	3.40	5.10	4.10	3.68	2.83	3.68	4.10	5.10	3.40	3.12
G 95.0	5.79	5.05	4.49	6.90	4.58	4.49	3.51	4.49	4.58	6.90	4.49	5.05
G100.0	7.88	6.65	5.59	8.54	6.01	5.61	5.16	5.61	6.01	5.59	6.65	7.88
G105.0	8.78	7.59	7.18	9.13	8.11	7.20	7.08	7.20	8.11	9.13	7.18	7.59
G110.0	18.92	9.34	7.73	10.08	11.13	11.11	10.42	11.11	11.13	10.08	7.73	9.34
G115.0	29.07	18.75	12.35	14.20	16.73	18.35	15.79	18.35	16.73	14.20	12.35	18.75
G120.0	39.21	43.60	38.58	18.83	26.87	30.50	30.08	30.50	26.87	18.83	38.58	43.60
G125.0	81.69	86.71	98.06	17.88	29.40	41.53	43.35	41.53	29.40	17.88	98.06	86.71
G130.0	135.03	139.27	151.21	45.33	22.60	40.75	38.46	40.75	22.60	45.33	151.21	139.27
G135.0	186.50	190.77	188.56	137.93	32.32	28.74	28.46	28.74	32.32	137.93	188.56	190.77
G140.0	226.11	233.31	217.68	203.31	132.64	58.97	27.50	58.97	132.64	203.31	217.68	233.31
G145.0	254.75	265.36	249.21	221.01	216.16	189.42	217.34	189.42	216.16	221.01	249.21	265.36
G150.0	276.00	287.30	280.80	239.52	233.90	231.04	231.74	231.04	233.90	239.52	280.80	287.30
G155.0	292.85	301.64	305.33	273.37	247.00	245.58	247.91	245.58	247.00	273.37	305.33	301.64
G160.0	305.81	311.32	319.40	309.43	285.99	270.84	270.36	270.84	285.99	309.43	319.40	311.32
G165.0	314.75	318.16	324.00	326.57	323.53	319.83	321.05	319.83	323.53	326.57	324.00	318.16
G170.0	319.80	322.26	324.83	328.01	330.22	331.56	332.68	331.56	330.22	328.01	324.83	322.26
G175.0	322.09	323.73	325.07	326.25	327.31	328.18	328.77	328.18	327.31	326.25	325.07	323.73
G180.0	323.00	323.00	323.00	323.00	323.00	323.00	323.00	323.00	323.00	323.00	323.00	323.00

Luminaire
 Code PX-0396-NEG
 Name APLIQUE BLANCO 6W
Measur.
 Code PX-0396-NEG
 Name APLIQUE BLANCO 6W

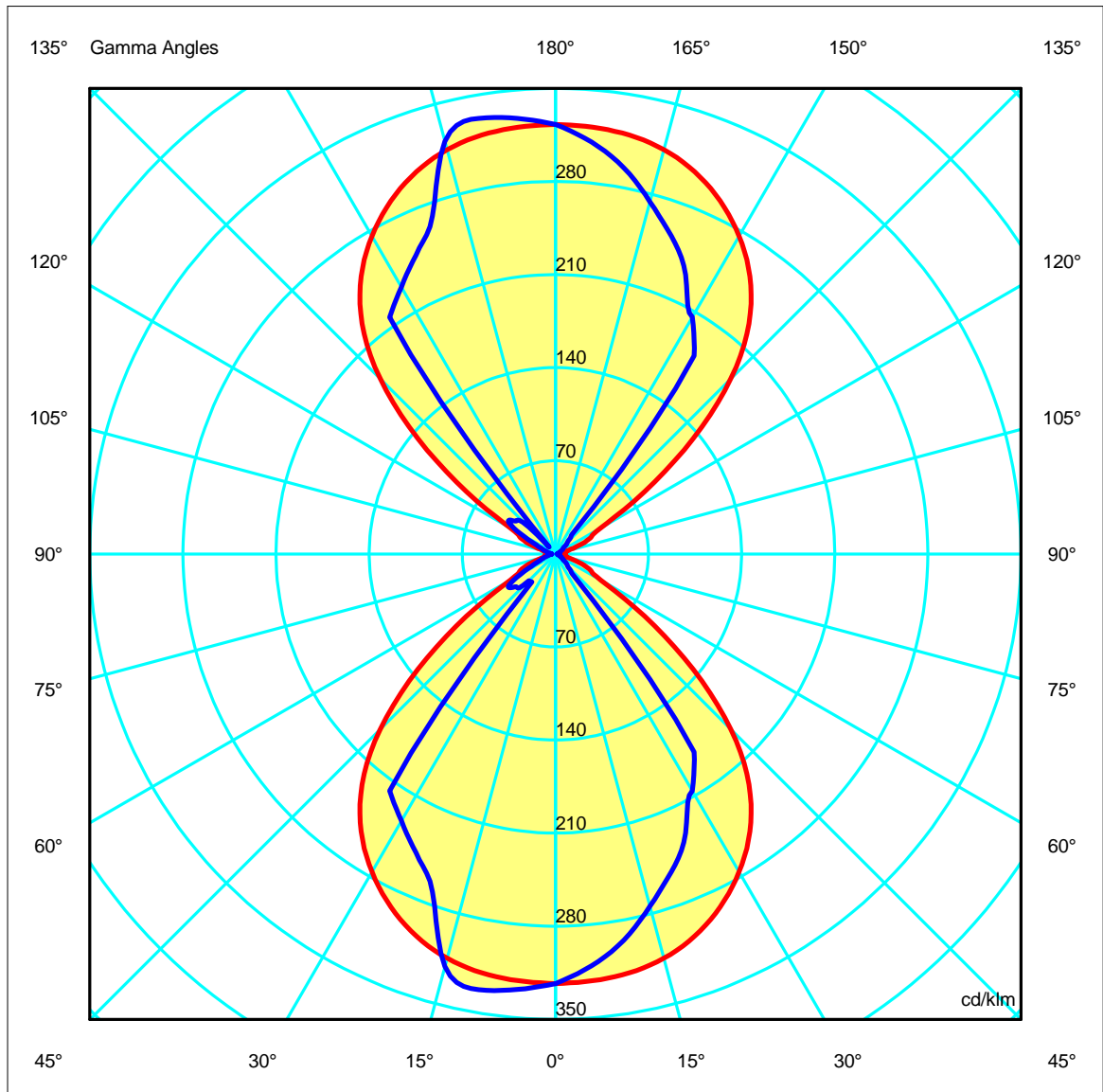
Luminaire Flux	164.45 lm	Luminaire Power	6.00 W	Efficacy	27.41 lm/W	Efficiency	106.00%
Lamps Flux	155.14 lm	Maximum value	332.68 cd/klm	Position	C=270.00 G=10.00	CG	Asymmetrical

100mm x 50mm



C Halfplanes

180.0 ——— 0.0
 270.0 ——— 90.0



Luminaire

 Code PX-0396-NEG
 Name APLIQUE BLANCO 6W

Measur.

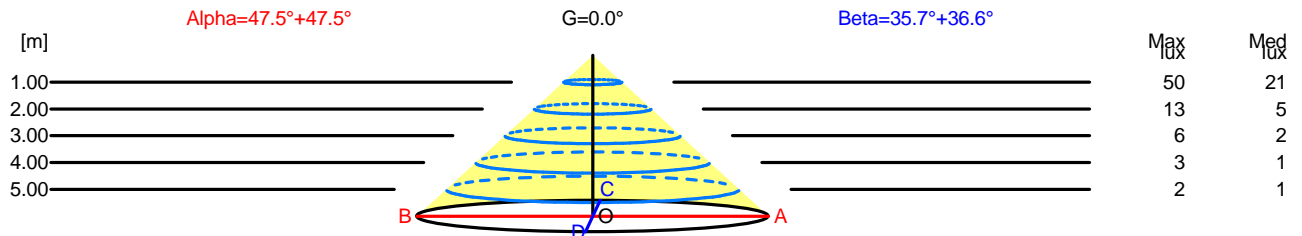
 Code PX-0396-NEG
 Name APLIQUE BLANCO 6W

Luminaire Flux	164.45 lm	Luminaire Power	6.00 W	Efficacy	27.41 lm/W	Efficiency	106.00%
Lamps Flux	155.14 lm	Maximum value	332.68 cd/klm	Position	C=270.00 G=10.00	CG	Asymmetrical

Width at 50.00 % of Max Intensity

H[m]	1.00	2.00	3.00	4.00	5.00	H[m]	1.00	2.00	3.00	4.00	5.00
OA	1.09	2.18	3.28	4.37	5.46	OC	0.72	1.44	2.16	2.88	3.60
OB	1.09	2.18	3.28	4.37	5.46	OD	0.74	1.48	2.23	2.97	3.71

	Luminous Intensities [cd/klm]									
	0	5	15	25	35	45	55	65	75	85
OA	50.11	49.97	48.83	45.43	39.52	28.93	12.67	4.51	1.36	0.90
OB	50.11	49.97	48.83	45.43	39.52	28.93	12.67	4.51	1.36	0.90
OC	50.11	48.23	42.55	35.92	28.20	2.01	1.06	0.61	0.35	0.25
OD	50.11	51.01	49.81	38.46	33.72	4.41	6.73	2.45	1.10	0.54



H[m]	D[m]	Max lux	Med lux	Alpha=47.5°+47.5°	G=0.0
1.00	2.18	50	21		
2.00	4.37	13	5		
3.00	6.55	6	2		
4.00	8.74	3	1		
5.00	10.92	2	1		

H[m]	D[m]	Max lux	Med lux	Beta=36.6°+35.7°	G=0.0
1.00	1.46	50	21		
2.00	2.92	13	5		
3.00	4.38	6	2		
4.00	5.84	3	1		
5.00	7.31	2	1		



Luminaire

Code PX-0396-NEG
Name APLIQUE BLANCO 6W

Measurement

Code PX-0396-NEG
Name APLIQUE BLANCO 6W

Luminaire Flux	164.45 lm	Luminaire Power	6.00 W	Efficacy	27.41 lm/W	Efficiency	106.00%
Lamps Flux	155.14 lm	Maximum value	332.68 cd/klm	Position	C=270.00 G=10.00	CG	Asymmetrical

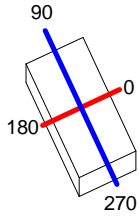
UGR
S = 0.250

Reflectancies										
Ceiling/Cavity	0.7	0.7	0.5	0.5	0.3	0.7	0.7	0.5	0.5	0.3
Walls	0.5	0.3	0.5	0.3	0.3	0.5	0.3	0.5	0.3	0.3
WorkingPlane	0.2	0.2	0.2	0.2	0.2	0.2	0.2	0.2	0.2	0.2
RoomDimensions	ViewedCrosswise					ViewedEndwise				
x=2H y=2H	18.2	18.9	19.1	19.7	16.5	13.8	14.5	14.7	15.4	16.5
x=2H y=3H	18.2	18.8	19.1	19.7	16.7	14.0	14.7	15.0	15.5	16.7
x=2H y=4H	18.2	18.7	19.1	19.6	16.7	14.1	14.7	15.0	15.6	16.7
x=2H y=6H	18.1	18.6	19.1	19.6	16.8	14.2	14.7	15.1	15.6	16.8
x=2H y=8H	18.2	18.6	19.1	19.6	16.8	14.2	14.7	15.2	15.6	16.8
x=2H y=12H	18.2	18.7	19.2	19.6	16.9	14.3	14.8	15.2	15.7	16.9
x=4H y=2H	17.8	18.4	18.7	19.3	16.6	14.0	14.5	14.9	15.5	16.6
x=4H y=3H	17.8	18.3	18.8	19.2	16.9	14.3	14.8	15.2	15.7	16.9
x=4H y=4H	17.8	18.2	18.8	19.2	17.0	14.4	14.8	15.4	15.8	17.0
x=4H y=6H	17.9	18.2	18.9	19.2	17.2	14.6	14.9	15.6	15.9	17.2
x=4H y=8H	17.9	18.3	19.0	19.2	17.3	14.7	15.0	15.7	16.0	17.3
x=4H y=12H	18.1	18.3	19.1	19.3	17.4	14.9	15.1	15.9	16.1	17.4
x=8H y=4H	17.7	18.0	18.7	19.0	17.0	14.4	14.8	15.5	15.7	17.0
x=8H y=6H	17.7	18.0	18.8	19.0	17.3	14.8	15.0	15.8	16.0	17.3
x=8H y=8H	17.9	18.1	18.9	19.1	17.6	15.0	15.2	16.0	16.2	17.6
x=8H y=12H	18.1	18.2	19.1	19.3	17.9	15.3	15.5	16.3	16.5	17.9
x=12H y=4H	17.6	17.9	18.6	18.9	17.0	14.4	14.7	15.4	15.7	17.0
x=12H y=6H	17.7	17.9	18.7	18.9	17.4	14.9	15.1	15.9	16.1	17.4
x=12H y=8H	17.8	18.0	18.9	19.1	17.7	15.2	15.4	16.2	16.4	17.7

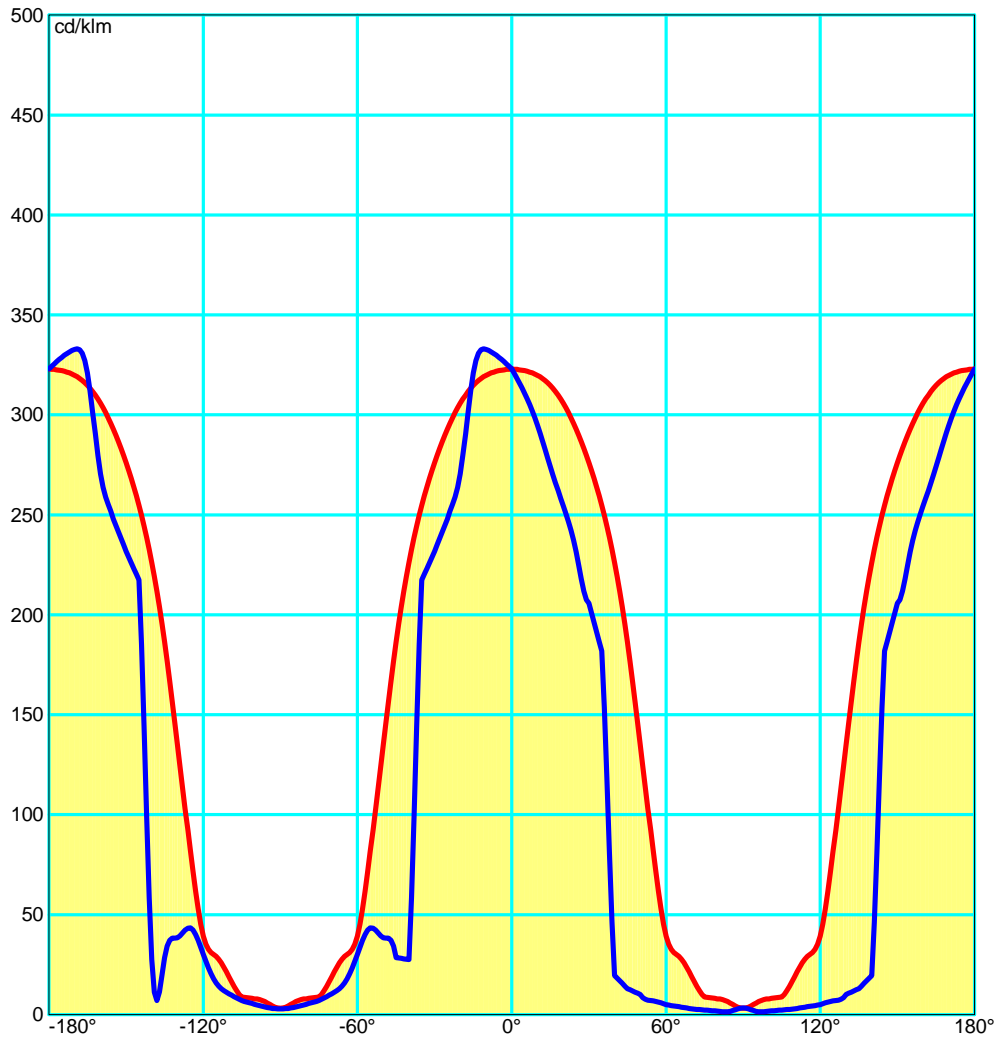
Luminaire
 Code PX-0396-NEG
 Name APLIQUE BLANCO 6W
Measur.
 Code PX-0396-NEG
 Name APLIQUE BLANCO 6W

Luminaire Flux	164.45 lm	Luminaire Power	6.00 W	Efficacy	27.41 lm/W	Efficiency	106.00%
Lamps Flux	155.14 lm	Maximum value	332.68 cd/klm	Position	C=270.00 G=10.00	CG	Asymmetrical

100mm x 50mm



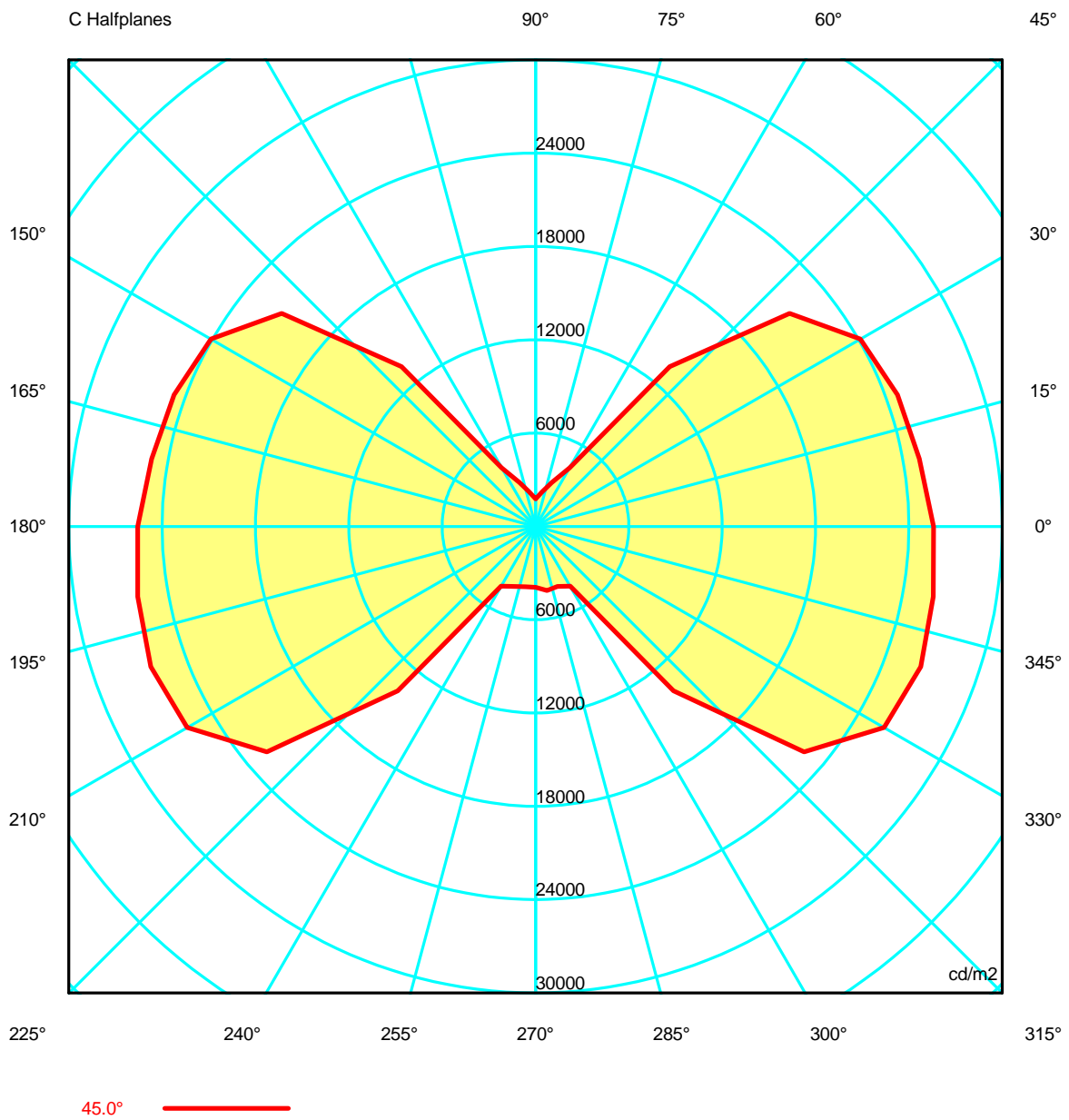
C Halfplanes
 180.0 ——— 0.0
 270.0 ——— 90.0



Luminaire
 Code PX-0396-NEG
 Name APLIQUE BLANCO 6W
Measur.
 Code PX-0396-NEG
 Name APLIQUE BLANCO 6W

Luminaire Flux	164.45 lm	Luminaire Power	6.00 W	Efficacy	27.41 lm/W	Efficiency	106.00%
Lamps Flux	155.14 lm	Maximum value	332.68 cd/klm	Position	C=270.00 G=10.00	CG	Asymmetrical

Luminance





Luminaire

Code PX-0396-NEG
Name APLIQUE BLANCO 6W

Measur.

Code PX-0396-NEG
Name APLIQUE BLANCO 6W

Luminaire Flux	164.45 lm	Luminaire Power	6.00 W	Efficacy	27.41 lm/W	Efficiency	106.00%
Lamps Flux	155.14 lm	Maximum value	332.68 cd/klm	Position	C=270.00 G=10.00	CG	Asymmetrical

Luminance cd/m2 Table 1/3

	C 0.00	C 10.00	C 20.00	C 30.00	C 40.00	C 50.00	C 60.00	C 70.00	C 80.00	C 90.00	C 100.00	C 110.00	C 120.00
G 0.0	31318.52	31318.52	31318.52	31318.52	31318.52	31318.52	31318.52	31318.52	31318.52	31318.52	31318.52	31318.52	31318.52
G 5.0	31349.55	31235.64	31007.46	30726.06	30564.38	30452.56	30343.62	30271.43	30254.88	30255.87	30254.88	30271.42	30343.62
G 10.0	31486.57	31037.27	30639.73	30286.01	29930.04	29608.24	29348.17	29154.45	29058.02	29041.74	29057.96	29154.59	29348.17
G 15.0	31595.24	31183.22	30657.12	30015.07	29392.96	29018.47	28793.05	28372.72	27831.18	27530.57	27831.13	28372.81	28793.05
G 20.0	31555.05	30997.17	30333.66	29677.68	29225.73	28659.02	27907.92	27217.09	26580.69	26244.11	26580.64	27217.22	27907.92
G 25.0	31331.28	30588.52	29753.70	28891.83	28167.86	27529.20	26957.00	26413.14	25473.85	24768.15	25473.81	26413.22	26957.00
G 30.0	30901.52	30059.96	28939.40	27626.94	26545.67	25977.06	25321.58	23766.23	23103.94	23027.15	22922.91	23766.15	25321.58
G 35.0	30154.01	29257.01	28107.52	26492.50	24551.12	23795.92	23640.65	23287.65	22269.00	21519.73	22269.08	23287.45	23640.65
G 40.0	28620.36	27858.02	26783.05	25490.94	23945.43	20123.83	15040.52	11604.19	6487.10	2469.86	6487.21	11603.96	15040.52
G 45.0	25574.13	25037.65	24743.90	24099.53	21311.12	13409.96	4362.45	3008.77	2229.15	1775.80	2229.10	3008.77	4362.45
G 50.0	20368.78	20335.84	20709.26	21489.01	10976.40	4315.75	1702.10	1667.47	1585.87	1517.28	1585.46	1667.47	1702.10
G 55.0	13810.10	13990.16	15369.85	15050.71	6057.16	1757.54	1414.85	1300.25	1125.25	1160.38	1124.97	1300.25	1414.85
G 60.0	7603.11	7649.70	7625.76	6435.73	3114.26	1557.24	1250.78	1160.77	1031.71	969.04	1031.86	1160.77	1250.78
G 65.0	6668.63	6205.69	4685.96	1963.48	1697.81	1463.89	1261.75	1063.38	954.49	900.44	954.21	1063.99	1261.75
G 70.0	5365.22	4990.25	3879.37	1901.76	1603.30	1396.01	1279.89	1084.02	902.85	809.33	902.44	1084.93	1279.89
G 75.0	3290.89	3207.39	2687.76	1942.87	1613.89	1510.54	1397.27	1221.37	988.83	849.26	988.76	1221.51	1397.27
G 80.0	4397.82	3657.35	2932.56	2368.44	2132.28	1980.40	1834.70	1759.95	1351.43	949.35	1351.21	1760.43	1834.70
G 85.0	6442.29	5447.51	4600.79	4079.15	3947.67	3737.63	3495.46	3366.03	2730.62	1814.25	2730.34	3366.03	3495.46
G 90.0	0.00	0.00	0.00	0.00	0.00	0.00	0.00	0.00	0.00	0.00	0.00	0.00	0.00



Luminaire

Code PX-0396-NEG
Name APLIQUE BLANCO 6W

Measur.

Code PX-0396-NEG
Name APLIQUE BLANCO 6W

Luminaire Flux	164.45 lm	Luminaire Power	6.00 W	Efficacy	27.41 lm/W	Efficiency	106.00%
Lamps Flux	155.14 lm	Maximum value	332.68 cd/klm	Position	C=270.00 G=10.00	CG	Asymmetrical

Luminance cd/m2 Table 2/3

	C 130.00	C 140.00	C 150.00	C 160.00	C 170.00	C 180.00	C 190.00	C 200.00	C 210.00	C 220.00	C 230.00	C 240.00	C 250.00
G 0.0	31318.52	31318.52	31318.52	31318.52	31318.52	31318.52	31318.52	31318.52	31318.52	31318.52	31318.52	31318.52	31318.52
G 5.0	30452.61	30564.27	30726.06	31008.06	31234.13	31349.55	31457.33	31556.74	31639.84	31717.36	31791.25	31858.26	31915.32
G 10.0	29607.53	29931.85	30286.01	30629.77	31062.43	31486.57	31674.40	31798.00	31982.14	32195.32	32382.02	32513.37	32601.54
G 15.0	29017.94	29394.29	30015.07	30649.79	31201.75	31595.24	31812.43	32118.05	32524.25	32761.42	32730.86	32476.96	32176.14
G 20.0	28658.35	29227.43	29677.68	30324.33	31020.75	31555.05	31892.94	32457.20	32957.30	32508.66	31170.24	29509.85	28273.78
G 25.0	27528.76	28168.98	28891.83	29747.49	30604.22	31331.28	31926.68	32660.97	32666.21	30602.36	28029.18	26425.67	26324.61
G 30.0	25977.47	26544.63	27626.94	28945.13	30045.48	30901.52	31796.32	32374.58	31438.98	28217.62	26607.71	26187.93	25990.32
G 35.0	23795.92	24548.50	26492.50	28121.99	29220.44	30154.01	31202.62	31182.09	29498.27	26963.04	26005.61	25586.78	22931.85
G 40.0	20125.06	23942.30	25490.94	26800.27	27814.48	28620.36	29523.05	28998.72	27553.02	26856.45	23447.52	16789.09	10183.11
G 45.0	13409.45	21312.39	24099.53	24736.91	25055.29	25574.13	25974.32	26332.51	25856.08	22540.58	13782.11	4431.87	4104.68
G 50.0	4315.75	10988.49	21489.01	20709.26	20335.84	20368.78	20795.65	22658.65	22809.64	12301.54	3827.76	3408.63	5443.87
G 55.0	1757.54	6065.39	15050.71	14403.70	13571.31	13810.10	13863.15	16315.24	16577.52	7149.16	3672.34	4970.32	6766.64
G 60.0	1557.24	3109.74	6435.73	7650.67	7586.76	7603.11	8174.32	8552.30	7480.92	4591.36	3702.54	5211.54	5891.60
G 65.0	1463.89	1697.81	1963.48	4640.50	6745.12	6668.63	5167.15	3588.55	2832.86	3020.66	3465.02	3839.55	4207.03
G 70.0	1396.01	1603.30	1901.76	3811.78	5456.20	5365.22	3531.86	2181.30	2191.56	2641.48	3007.23	3155.39	3187.23
G 75.0	1509.81	1615.73	1942.87	2677.60	3233.08	3290.89	3019.85	2688.52	2688.05	3225.87	3406.56	3037.52	2764.23
G 80.0	1977.82	2138.80	2368.44	2896.68	3748.03	4397.82	4108.04	3289.80	3120.96	4384.68	4529.48	3354.25	3205.05
G 85.0	3734.32	3956.04	4079.15	4554.66	5564.09	6442.29	6122.88	5064.39	4997.73	7113.42	7156.03	5095.33	5032.12
G 90.0	0.00	0.00	0.00	0.00	0.00	0.00	0.00	0.00	0.00	0.00	0.00	0.00	0.00



Luminaire

Code PX-0396-NEG
Name APLIQUE BLANCO 6W

Measur.

Code PX-0396-NEG
Name APLIQUE BLANCO 6W

Luminaire Flux	164.45 lm	Luminaire Power	6.00 W	Efficacy	27.41 lm/W	Efficiency	106.00%
Lamps Flux	155.14 lm	Maximum value	332.68 cd/klm	Position	C=270.00 G=10.00	CG	Asymmetrical

Luminance cd/m2 Table 3/3

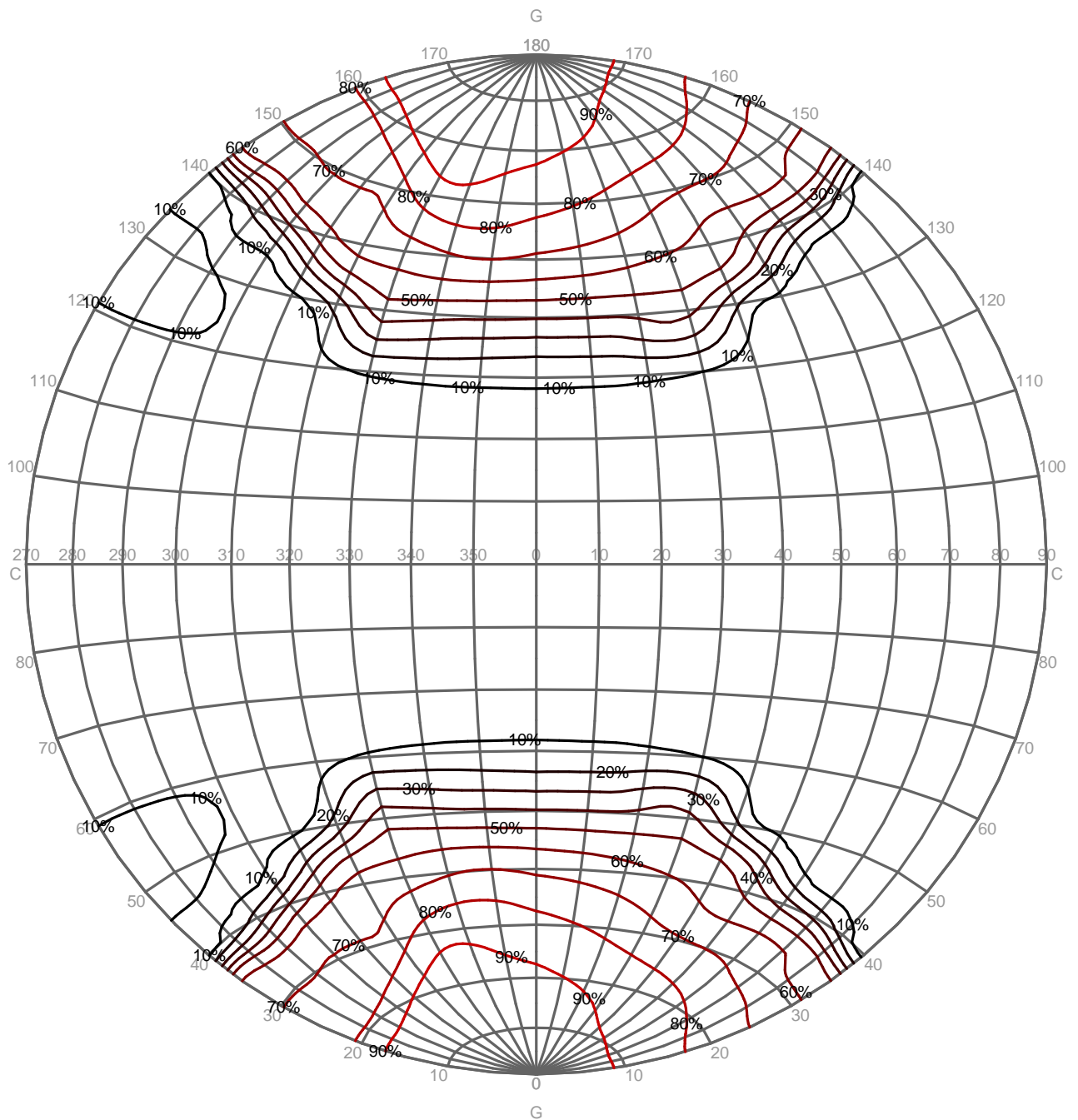
	C 260.00	C 270.00	C 280.00	C 290.00	C 300.00	C 310.00	C 320.00	C 330.00	C 340.00	C 350.00
G 0.0	31318.52	31318.52	31318.52	31318.52	31318.52	31318.52	31318.52	31318.52	31318.52	31318.52
G 5.0	31970.07	32000.38	31970.07	31915.32	31858.26	31791.21	31717.47	31639.84	31556.14	31458.85
G 10.0	32694.70	32755.00	32694.76	32601.41	32513.37	32382.73	32193.51	31982.14	31807.96	31649.23
G 15.0	32127.13	32228.00	32127.18	32176.04	32476.96	32731.39	32760.09	32524.25	32125.38	31793.90
G 20.0	27930.39	27897.31	27840.78	28273.66	29509.85	31170.91	32506.96	32957.30	32466.54	31869.35
G 25.0	26399.18	26522.98	26399.22	26153.22	26425.67	28029.62	30601.23	32666.21	32667.19	31910.98
G 30.0	25893.63	25945.68	25893.63	25990.40	26187.93	26607.71	28218.66	31438.98	32368.85	31810.81
G 35.0	23392.23	25726.35	23392.14	22932.05	25586.78	26004.57	26965.66	29498.27	31167.62	31239.18
G 40.0	5345.76	3480.94	5345.66	10183.34	16789.09	23446.28	26859.58	27553.02	28981.50	29566.58
G 45.0	3928.16	3902.31	4179.20	4104.68	4431.87	13782.61	22539.31	25856.08	26339.49	25956.68
G 50.0	6031.72	5802.20	6031.72	5442.98	3408.63	3832.55	12289.44	22809.64	21609.27	20795.65
G 55.0	7182.76	7329.04	7183.04	6766.04	4970.32	1987.99	7140.93	16577.52	15298.13	14375.66
G 60.0	5887.35	5833.24	5887.20	5891.94	5211.54	3700.75	4595.88	7480.92	8527.39	8237.27
G 65.0	4010.33	3622.28	4010.60	4206.42	3839.55	3468.29	3012.41	2832.86	3634.01	5052.25
G 70.0	3071.06	2953.05	3071.47	3186.32	3155.39	3012.08	2629.22	2191.56	2248.89	3361.05
G 75.0	2665.11	2653.94	2665.17	2764.10	3037.52	3407.29	3224.03	2688.05	2698.68	2994.16
G 80.0	3060.91	2882.29	3061.12	3205.05	3354.25	4532.06	4378.17	3120.96	3325.68	4017.37
G 85.0	4653.57	3900.71	4653.85	5032.12	5095.33	7159.34	7105.05	4997.73	5110.52	6006.30
G 90.0	0.00	0.00	0.00	0.00	0.00	0.00	0.00	0.00	0.00	0.00

Luminaire
 Code PX-0396-NEG
 Name APLIQUE BLANCO 6W
Measur.
 Code PX-0396-NEG
 Name APLIQUE BLANCO 6W

Luminaire Flux	164.45 lm	Luminaire Power	6.00 W	Efficacy	27.41 lm/W	Efficiency	106.00%
Lamps Flux	155.14 lm	Maximum value	332.68 cd/klm	Position	C=270.00 G=10.00	CG	Asymmetrical

PERCENTAGE ISOCANDLES

Projection: Equal Area SLI 9.9 Tight Tilting Angle:0°

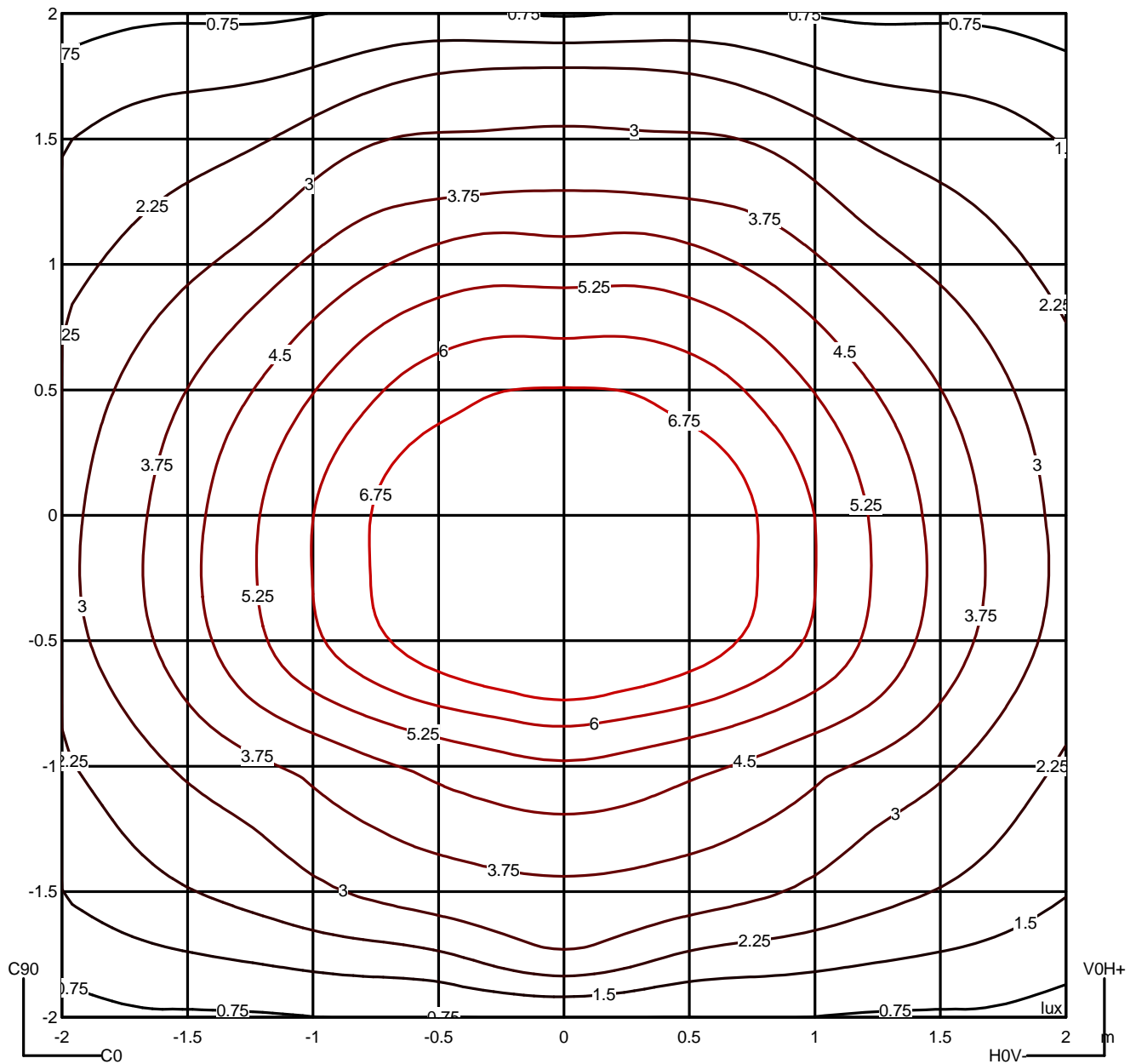


Luminaire
 Code PX-0396-NEG
 Name APLIQUE BLANCO 6W
Measur.
 Code PX-0396-NEG
 Name APLIQUE BLANCO 6W

Luminaire Flux	164.45 lm	Luminaire Power	6.00 W	Efficacy	27.41 lm/W	Efficiency	106.00%
Lamps Flux	155.14 lm	Maximum value	332.68 cd/klm	Position	C=270.00 G=10.00	CG	Asymmetrical

Isolux (Floor)

Luminaire position X=0.00m Y=0.00m Z=2.50m

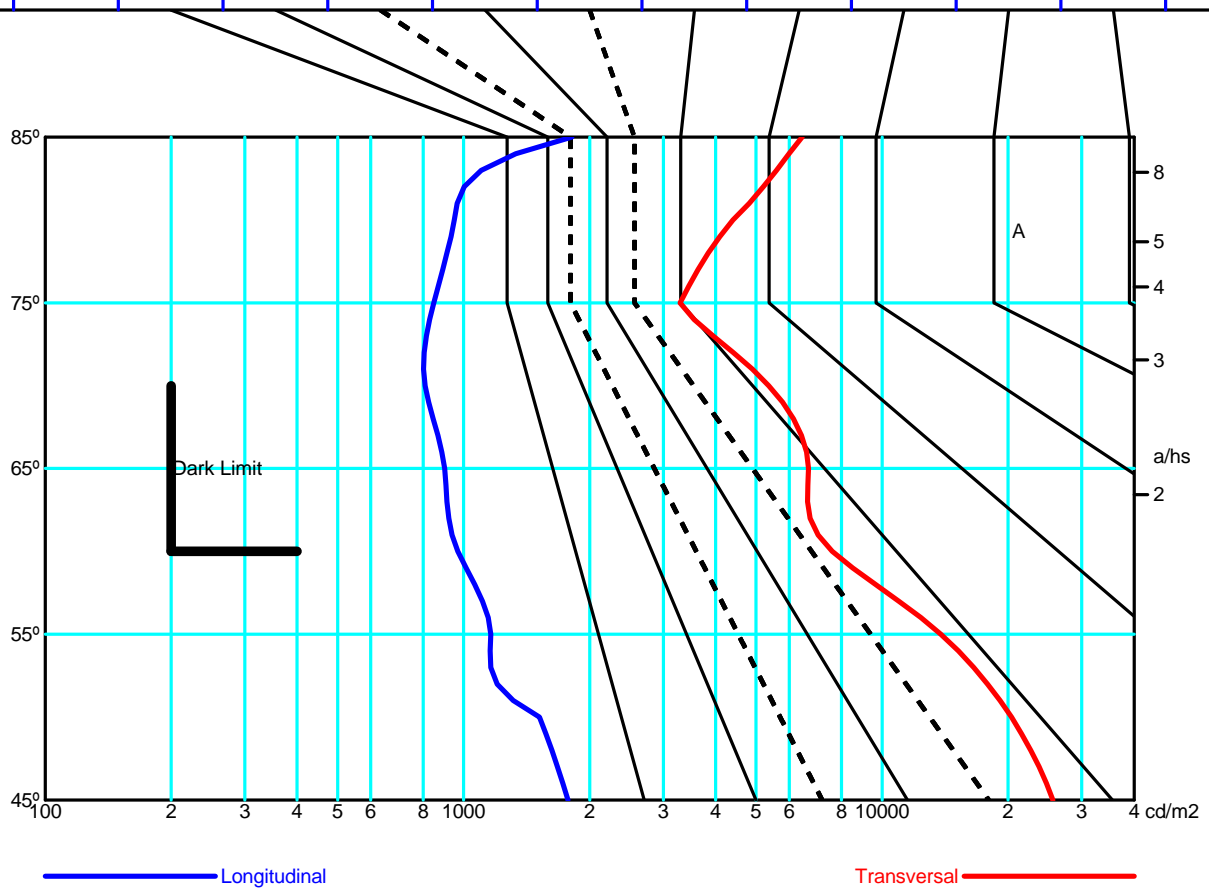


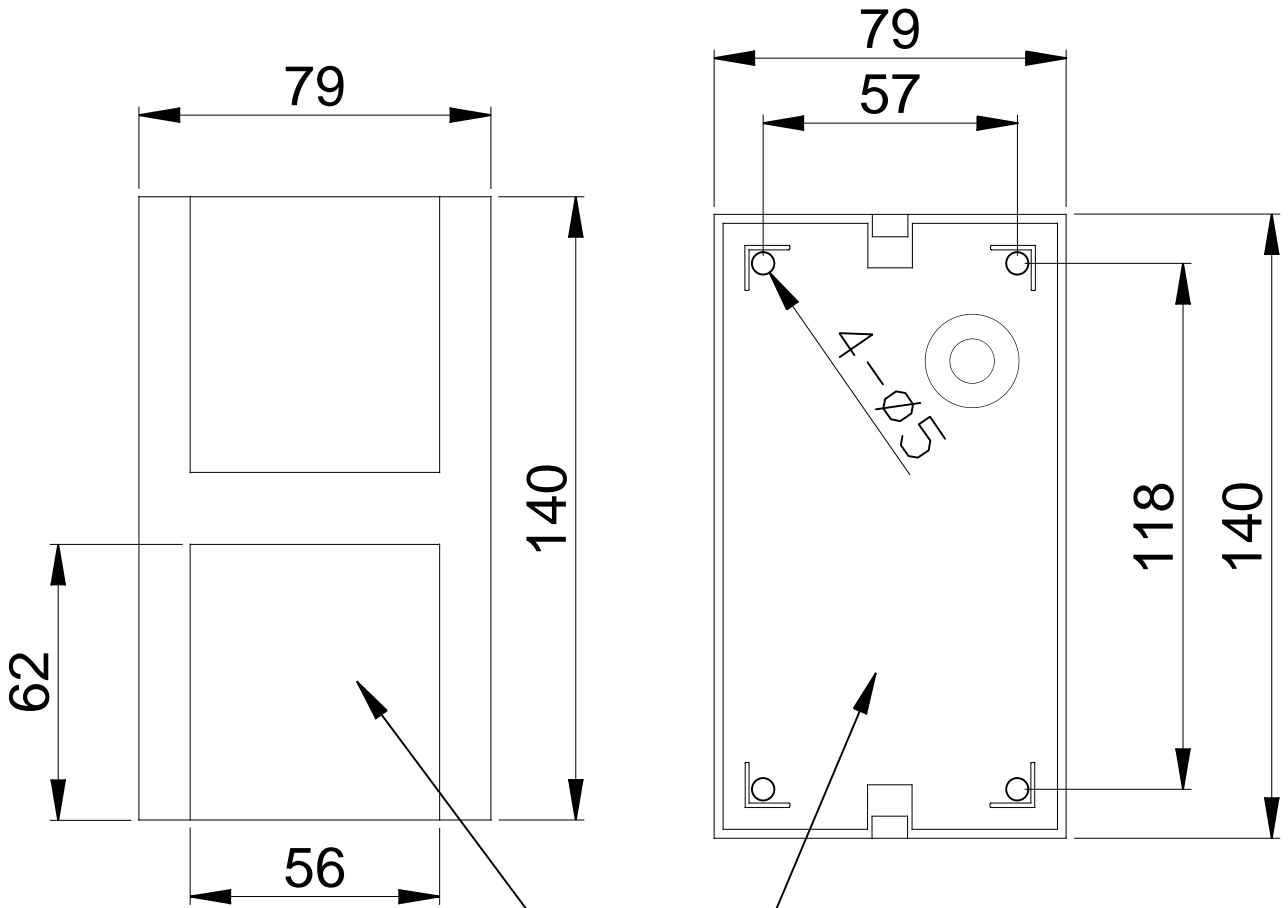
Luminaire
 Code PX-0396-NEG
 Name APLIQUE BLANCO 6W
Measur.
 Code PX-0396-NEG
 Name APLIQUE BLANCO 6W

Luminaire Flux	164.45 lm	Luminaire Power	6.00 W	Efficacy	27.41 lm/W	Efficiency	106.00%
Lamps Flux	155.14 lm	Maximum value	332.68 cd/klm	Position	C=270.00 G=10.00	CG	Asymmetrical

		Average Luminance [cd/m ²]									
		45°	50°	55°	60°	65°	70°	75°	80°	85°	
0.0°	25574	20369	13810	7603	6669	5365	3291	4398	6442	---	
90.0°	1776	1517	1160	969	900	809	849	949	1814	---	

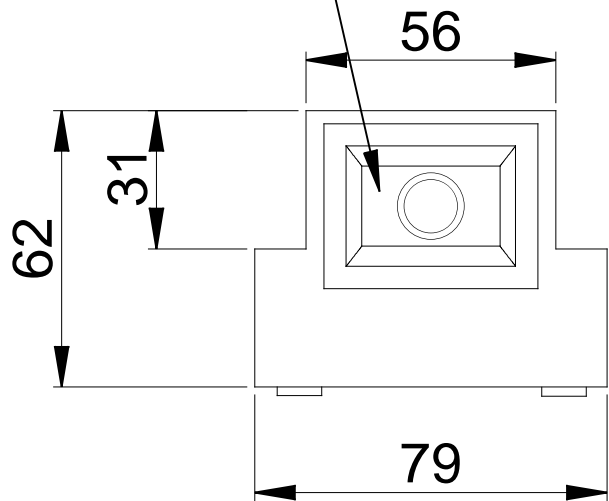
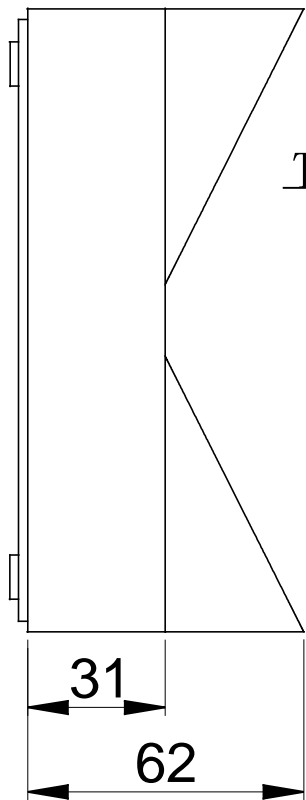
Flush mounted or longitudinal view												
		Illumination(lx)										
A	A	2000	1000	750	500		<300					1.15
B	1		2000	1500	1000	750	500	<300				1.5
C					2000		1000	500	<300			1.85
D	2						2000	1000	500	<300		2.2
E	3							2000	1000	500	<300	2.55

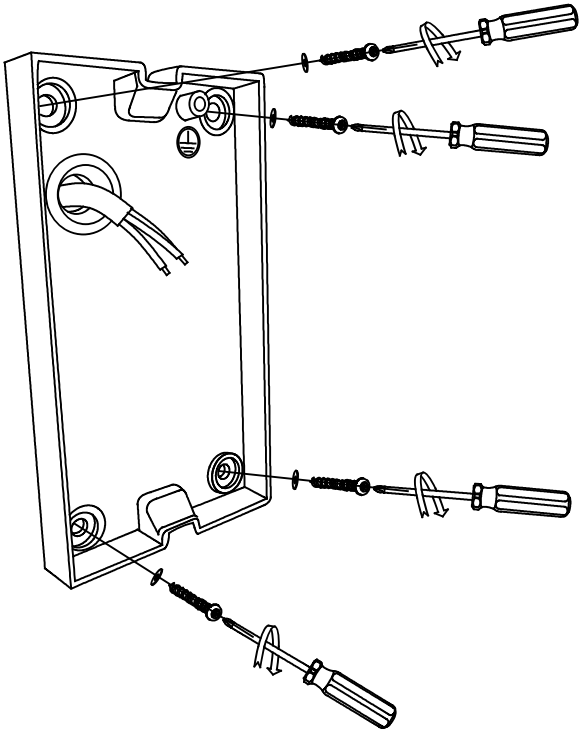
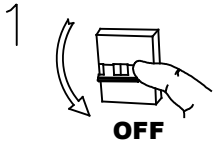




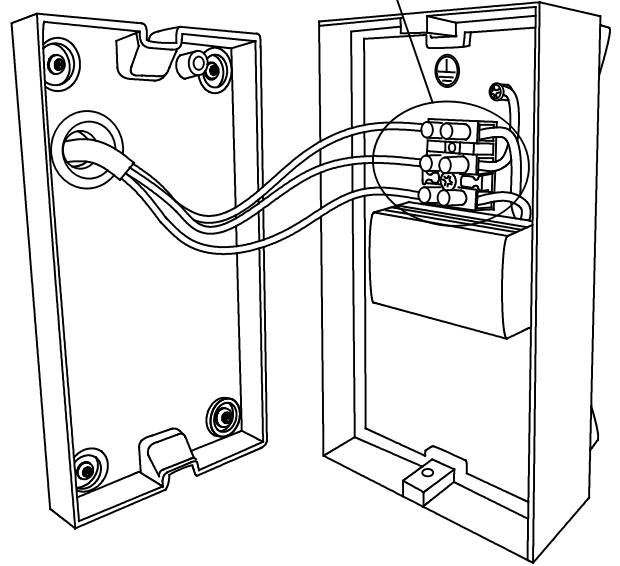
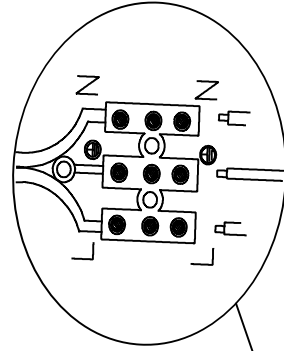
Black
 Aluminum / Grey
 White

Transparent Glass

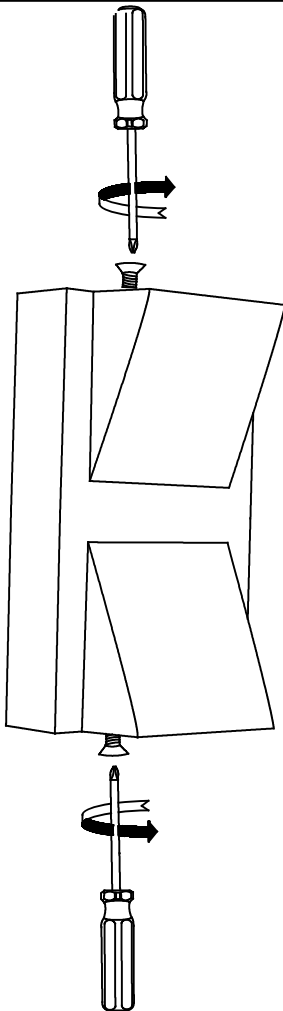




2



3



4

