
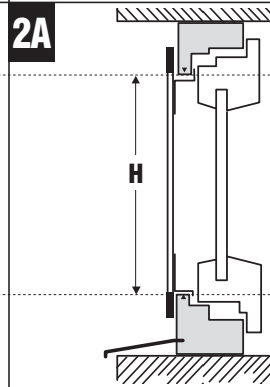
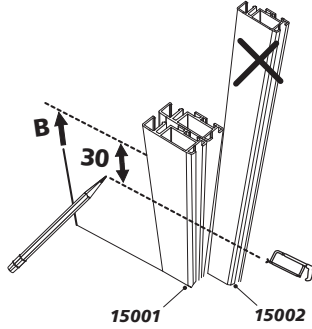

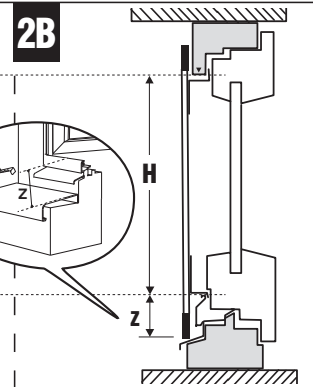
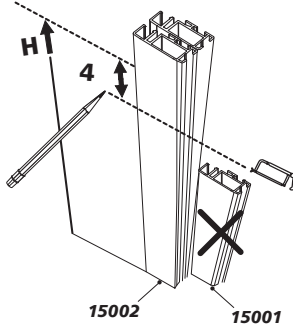


$B - 30 \text{ mm} =$  



$H - 4 \text{ mm} =$  



$H + z - 27 \text{ mm} =$  

