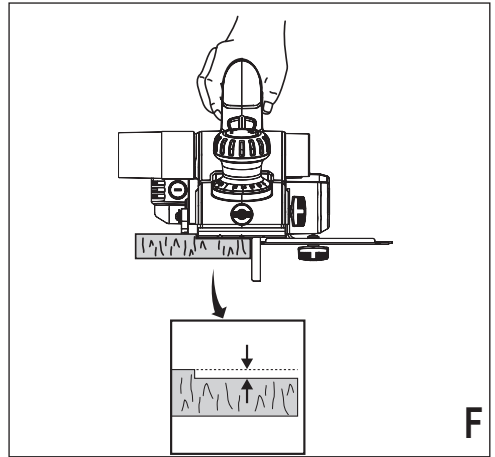
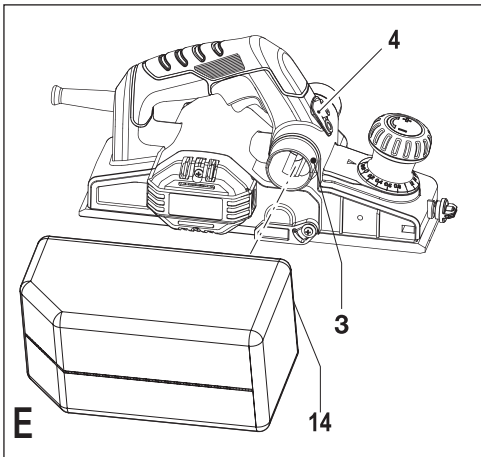
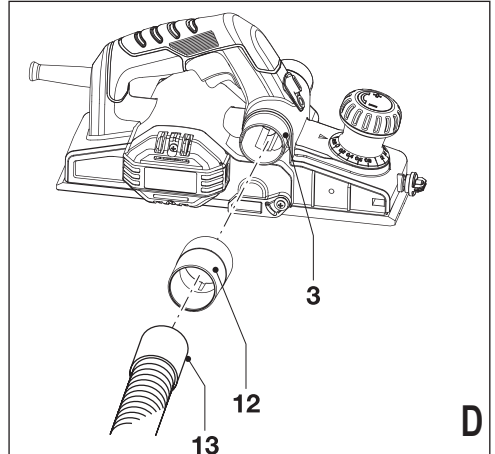
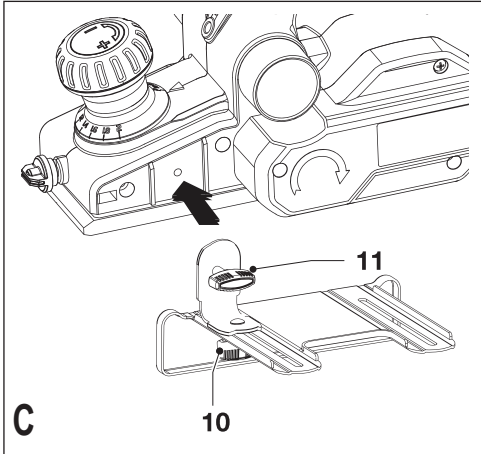
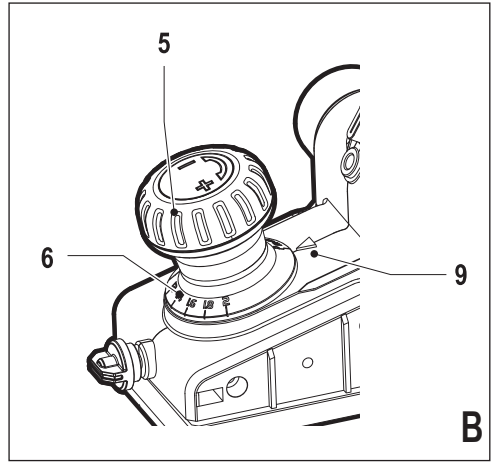
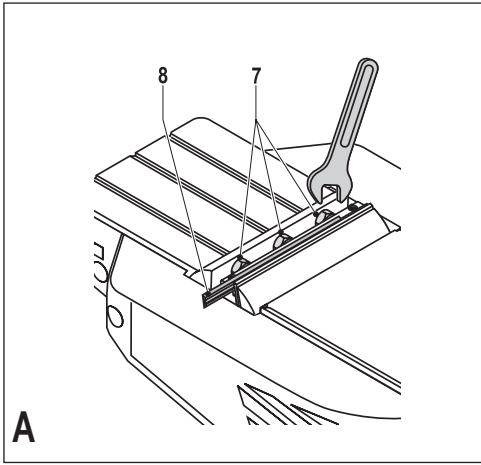
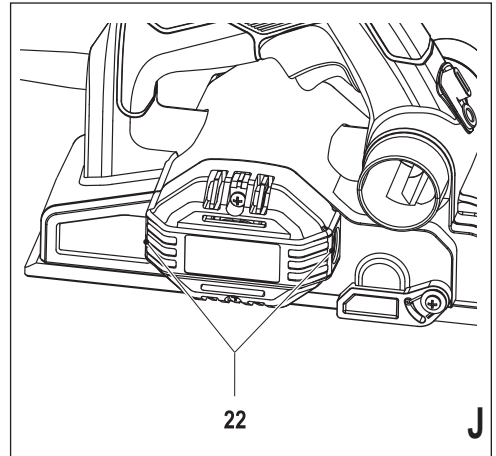
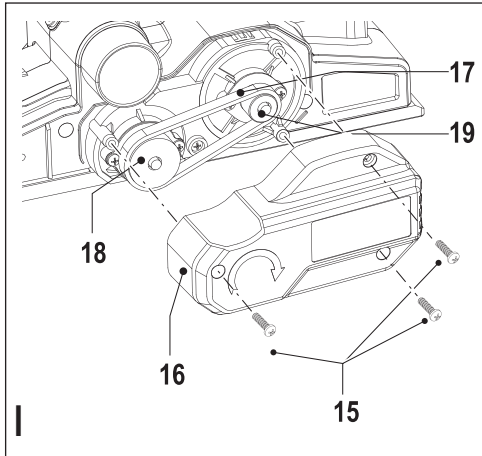
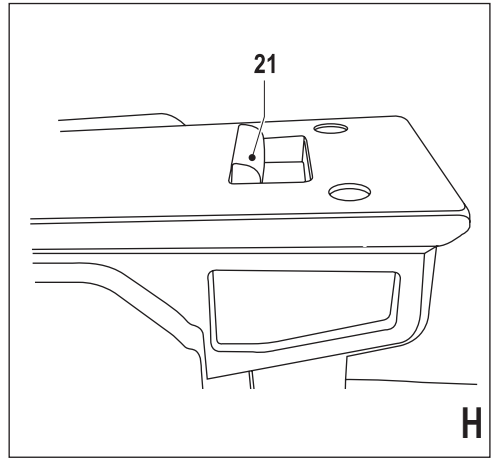
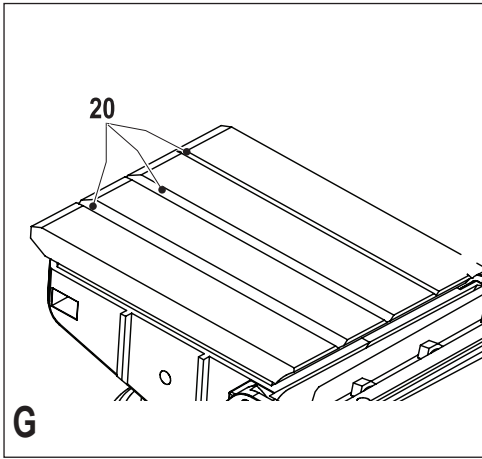


English (original instructions).....	5
Deutsch (Übersetzung der Originalanweisung).....	10
Français (traduction de la notice d'instructions originale).....	16
Italiano (tradotto dalle istruzioni originali) .....	21
Nederlands (vertaald vanuit de originele instructies).....	27
Español (traducido de las instrucciones originales) .....	33
Português (traduzido das instruções originais) .....	39
Svenska (översatt från de ursprungliga instruktionerna) .....	45
Norsk (oversatt fra de originale instruksjonene) .....	50
Dansk (oversat fra original brugsvejledning) .....	55
Suomi (käännetty alkuperäisestä käyttöohjeesta) .....	60
Ελληνικά (μετάφραση από τις πρωτότυπες οδηγίες) .....	65





## Intended use

Your BLACK+DECKER KW750 planer has been designed for planing wood, wood products and plastics. The tool is intended for hand-held use. This tool is intended for consumer use only.

## Safety instructions

### General power tool safety warnings



**Warning! Read all safety warnings, instructions, illustrations and specifications provided with this power tool.** Failure to follow all instructions listed below may result in electric shock, fire and/or serious injury.

### Save all warnings and instructions for future reference.

The term "power tool" in all of the warnings listed below refers to your mains operated (corded) power tool or battery operated (cordless) power tool.

#### 1. Work area safety

- a. **Keep work area clean and well lit.** Cluttered or dark areas invite accidents.
- b. **Do not operate power tools in explosive atmospheres, such as in the presence of flammable liquids, gases or dust.** Power tools create sparks which may ignite the dust or fumes.
- c. **Keep children and bystanders away while operating a power tool.** Distractions can cause you to lose control.

#### 2. Electrical safety

- a. **Power tool plugs must match the outlet. Never modify the plug in any way. Do not use any adapter plugs with earthed (grounded) power tools.** Unmodified plugs and matching outlets will reduce risk of electric shock.
- b. **Avoid body contact with earthed or grounded surfaces such as pipes, radiators, ranges and refrigerators.** There is an increased risk of electric shock if your body is earthed or grounded.
- c. **Do not expose power tools to rain or wet conditions.** Water entering a power tool will increase the risk of electric shock.
- d. **Do not abuse the cord. Never use the cord for carrying, pulling or unplugging the power tool. Keep cord away from heat, oil, sharp edges or moving parts.** Damaged or entangled cords increase the risk of electric shock.
- e. **When operating a power tool outdoors, use an extension cord suitable for outdoor use.** Use of a cord suitable for outdoor use reduces the risk of electric shock.
- f. **If operating a power tool in a damp location is unavoidable, use a residual current device (RCD) protected supply.** Use of an RCD reduces the risk of electric shock.

#### 3. Personal safety

- a. **Stay alert, watch what you are doing and use common sense when operating a power tool. Do not use a power tool while you are tired or under the influence of drugs, alcohol or medication.** A moment of inattention while operating power tools may result in serious personal injury.
- b. **Use personal protective equipment. Always wear eye protection.** Protective equipment such as a dust mask, non-skid safety shoes, hard hat, or hearing protection used for appropriate conditions will reduce personal injuries.
- c. **Prevent unintentional starting. Ensure the switch is in the off-position before connecting to power source and/or battery pack, picking up or carrying the tool.** Carrying power tools with your finger on the switch or energising power tools that have the switch on invites accidents.
- d. **Remove any adjusting key or wrench before turning the power tool on.** A wrench or a key left attached to a rotating part of the power tool may result in personal injury.
- e. **Do not overreach. Keep proper footing and balance at all times.** This enables better control of the power tool in unexpected situations.
- f. **Dress properly. Do not wear loose clothing or jewellery. Keep your hair and clothing away from moving parts.** Loose clothes, jewellery or long hair can be caught in moving parts.
- g. **If devices are provided for the connection of dust extraction and collection facilities, ensure these are connected and properly used.** Use of dust collection can reduce dust-related hazards.
- h. **Do not let familiarity gained from frequent use of tools allow you to become complacent and ignore tool safety principles.** A careless action can cause severe injury within a fraction of a second.

#### 4. Power tool use and care

- a. **Do not force the power tool. Use the correct power tool for your application.** The correct power tool will do the job better and safer at the rate for which it was designed.
- b. **Do not use the power tool if the switch does not turn it on and off.** Any power tool that cannot be controlled with the switch is dangerous and must be repaired.
- c. **Disconnect the plug from the power source and/or remove the battery pack, if detachable, from the power tool before making any adjustments, changing accessories, or storing power tools.** Such preventive safety measures reduce the risk of starting the power tool accidentally.

- d. **Store idle power tools out of the reach of children and do not allow persons unfamiliar with the power tool or these instructions to operate the power tool.** Power tools are dangerous in the hands of untrained users.
  - e. **Maintain power tools and accessories. Check for misalignment or binding of moving parts, breakage of parts and any other condition that may affect the power tools operation. If damaged, have the power tool repaired before use.** Many accidents are caused by poorly maintained power tools.
  - f. **Keep cutting tools sharp and clean.** Properly maintained cutting tools with sharp cutting edges are less likely to bind and are easier to control.
  - g. **Use the power tool, accessories and tool bits etc. in accordance with these instructions, taking into account the working conditions and the work to be performed.** Use of the power tool for operations different from those intended could result in a hazardous situation.
  - h. **Keep handles and grasping surfaces dry, clean and free from oil and grease.** Slippery handles and grasping surfaces do not allow for safe handling and control of the tool in unexpected situations.
5. **Service**
- a. **Have your power tool serviced by a qualified repair person using only identical replacement parts.** This will ensure that the safety of the power tool is maintained.

### Additional Power Tool Safety Warnings

- **Wait for the cutter to stop before setting the tool down.** An exposed cutter may engage the surface leading to possible loss of control and serious injury.
- **Hold the power tool by insulated gripping surface, because the cutter may contact its own cord.** Cutting a "live" wire may make exposed metal parts of the power tool "live" and could give the operator an electrical shock.
- **Use clamps or another practical way to secure and support the workpiece to a stable platform.** Holding the workpiece by your hand or against the body leaves it unstable and may lead to loss of control.
- **Wear a dust mask.**
- **Keep the cutter sharp.** Dull or damaged cutters may cause the planer to swerve or stall under pressure. Always use the appropriate type of cutter for the power tool.
- Do not touch the workpiece or the cutter immediately after operating the tool. They can become very hot.
- Remove all nails and metal objects from the workpiece before planing.
- Always hold the tool with both hands and by the handles provided.
- Immediately disconnect the cable from the mains if it is damaged or cut.



**Warning!** Contact with, or inhalation of dusts arising from planing applications may endanger the health of the operator and possible bystanders. Wear a dust mask specifically designed for protection against dust and fumes and ensure that persons within or entering the work area are also protected.

- This tool is not intended for use by persons (including children) with reduced physical, sensory or mental capabilities, or lack of experience and knowledge, unless they have been given supervision or instruction concerning use of the appliance by a person responsible for their safety. Children should be supervised to ensure that they do not play with the appliance.
- The intended use is described in this instruction manual. The use of any accessory or attachment or performance of any operation with this tool other than those recommended in this instruction manual may present a risk of personal injury and/or damage to property.

### Safety of others

- This appliance is not intended for use by persons (including children) with reduced physical, sensory or mental capabilities, or lack of experience and knowledge, unless they have been given supervision or instruction concerning use of the appliance by a person responsible for their safety.
- Children should be supervised to ensure that they do not play with the appliance.

### Residual risks

Additional residual risks may arise when using the tool which may not be included in the enclosed safety warnings. These risks can arise from misuse, prolonged use etc.

Even with the application of the relevant safety regulations and the implementation of safety devices, certain residual risks can not be avoided. These include:

- Injuries caused by touching any rotating/moving parts.
- Injuries caused when changing any parts, blades or accessories.
- Injuries caused by prolonged use of a tool. When using any tool for prolonged periods ensure you take regular breaks.
- Impairment of hearing.
- Health hazards caused by breathing dust developed when using your tool (example:- working with wood, especially oak, beech and MDF.)

### Vibration

The declared vibration emission values stated in the technical data and the declaration of conformity have been measured in accordance with a standard test method provided by EN62841 and may be used for comparing one tool with another. The declared vibration emission value may also be used in a preliminary assessment of exposure.



**Warning!** The vibration emission value during actual use of the power tool can differ from the declared value depending on the ways in which the tool is used. The vibration level may increase above the level stated.

When assessing vibration exposure to determine safety measures required by 2002/44/EC to protect persons regularly using power tools in employment, an estimation of vibration exposure should consider, the actual conditions of use and the way the tool is used, including taking account of all parts of the operating cycle such as the times when the tool is switched off and when it is running idle in addition to the trigger time.

### Labels on tool

The following symbols are shown on the tool along with the date code:



**Warning!** To reduce the risk of injury, the user must read the instruction manual.

### Electrical safety



This tool is double insulated; therefore no earth wire is required. Always check that the power supply corresponds to the voltage on the rating plate.

- If the supply cord is damaged, it must be replaced by the manufacturer or an authorised BLACK+DECKER Service Centre in order to avoid a hazard.

### Features

This tool includes some or all of the following features.

1. On/off switch
2. Lock-off button
3. Shavings discharge outlet
4. Shavings discharge outlet selector
5. Planing depth adjustment knob
6. Planing depth graduation

### Assembly



**Warning!** Before assembly, make sure that the tool is switched off and unplugged.

### Replacing the cutting blades (Fig. A)

The cutting blades provided with this tool are reversible. Replacement cutting blades can be obtained from your local retailer.

### Removing

- Loosen the bolts (7) using the spanner supplied.
- Slide the blade (8) out of the holder.
- Reverse the blade so that the unused side comes in position. If both sides are worn, the blade must be replaced.

### Fitting

- Slide the blade into the holder until it is against the end stop.
- Tighten the bolts using the spanner supplied.



**Warning!** Always replace both cutters.

### Adjusting the depth of cut (Fig. B)

The depth of cut is indicated by the marking (9). The setting range can be read from the graduation (6).

- Turn the planing depth adjustment knob (5) to the required depth of cut.
- Turn the knob to the 'P' position whenever the tool is not in use.

### Fitting and removing the parallel fence (Fig. C)

The parallel fence is used to for optimum control on narrow workpieces.

- Thread the knob (11) into the hole on the side of the planer and securely tighten.
- Loosen the parallel fence adjustment knob (10).
- Slide the parallel fence into the desired position.
- Securely tighten the parallel fence adjustment knob.

**Note :** The parallel fence should be below the planer when installed correctly.

- To remove the parallel fence proceed in reverse order.

### Connecting a vacuum cleaner to the tool (Fig. D)

An adaptor is required to connect a vacuum cleaner or dust extractor to the tool. The adaptor can be purchased from your local Black & Decker retailer.

- Slide the adaptor (12) over the shavings discharge outlet (3).
- Connect the vacuum cleaner hose (13) to the adaptor.

### Fitting the shavings collection bag (Fig. E)

The shavings collection bag is particularly useful when working in confined spaces.

- Slide the connecting plate (14) of the bag over either side of the shavings discharge outlet (3).
- To prevent chips from coming out opposite side of shavings discharge outlet, move the shavings discharge outlet selector (4) to the opposite side from the bag.

### Emptying the shavings collection bag

The shavings collection bag should be emptied regularly while using it to prevent blocking.

- Unzip the bag and empty it before continuing.

### Use



**Warning!** Let the tool work at its own pace. Do not overload.

- Adjust the depth of cut.
- If necessary, fit and adjust the parallel fence.

### Switching on and off

#### Switching on

- Keep the lock-off button (2) depressed and press the on/off switch (1).
- Release the lock-off button.

#### Switching off

- Release the on/off switch.

## Planing

- Hold the tool with the nose piece of the shoe resting on top of the workpiece surface.
- Switch the tool on.
- Move the tool steadily forward to perform the cutting stroke.
- Switch the tool off after the stroke has been completed.

## Rebating (Fig. F)

- Fit and adjust the parallel fence.
- Proceed as for planing.

## Chamfering edges (Fig. G)

The V-groove in the nose piece of the shoe enables you to chamfer edges at 45°, 30° and 15° angles.

- Hold the tool at an angle with the desired groove (20) around the edge of the workpiece and perform the cutting stroke.

## Parking rest (Fig. H)

Your planer is equipped with a parking rest (21) that automatically lowers into place when the tool is lifted from the work surface. When planing, the parking foot raises as the tool is pushed forward. When the parking foot is lowered, the planer can set on the work surface without the blade touching.

## Hints for optimum use

- Move the tool along the grain of the wood.
- If the grain is cross or curly, or if the workpiece material is a hard type of wood, adjust the depth of cut to take only a very thin shaving at each pass and take several passes to achieve the desired result.
- To keep the tool in a straight line, press down the front of the tool at the start, and press down the back of the tool at the end of the cutting stroke.

## Accessories

The performance of your tool depends on the accessory used. Black & Decker and Piranha accessories are engineered to high quality standards and designed to enhance the performance of your tool. By using these accessories you will get the very best from your tool.

The following types of cutting blades can be obtained from your local retailer:

- Tungsten carbide tipped reversible cutting blades (part no. X35007, supplied per pair)
- High-speed steel reversible cutting blades (part no. X24192-XJ11, supplied per pair)

## Maintenance

Your BLACK+DECKER tool has been designed to operate over a long period of time with a minimum of maintenance. Continuous satisfactory operation depends upon proper tool care and regular cleaning.



**Warning!** Before performing any maintenance on the tool, unplug the tool. Unplug the charger before cleaning it.

- Regularly clean the ventilation slots in your tool using a soft brush or dry cloth.

- Regularly clean the motor housing using a damp cloth. Do not use any abrasive or solvent-based cleaner.

## Replacing the drive belt (Fig. I)

- Loosen the screws (15) and remove the cover (16).
- Remove the old drive belt.
- Place the new belt (17) over the pulleys. Place the belt over the large pulley (18) first, then over the small pulley (19), whilst manually rotating the belt steadily.
- Put the cover back in place and tighten the screws.

## Motor brush inspection and replacement (Fig. J)

Brushes should be regularly inspected for wear.

- Remove brush cap (22). The brushes should slide freely in brush box. If brushes are worn down to .3" (8 mm) they should be replaced.

To reinstall, push new brush back into brush box. If replacing existing brush, maintain same orientation as when removed. Replace the brush cap (do not overtighten).

## Mains plug replacement (U.K. & Ireland only)

If a new mains plug needs to be fitted:

- Safely dispose of the old plug.
- Connect the brown lead to the live terminal in the new plug.
- Connect the blue lead to the neutral terminal.



**Warning!** No connection is to be made to the earth terminal. Follow the fitting instructions supplied with good quality plugs. Recommended fuse: 5 A.

## Protecting the environment



Separate collection. Products and batteries marked with this symbol must not be disposed of with normal household waste.

Products and batteries contain materials that can be recovered or recycled, reducing demand for raw materials. Please recycle electrical products and batteries according to local provisions. Further information is available at [www.2helpU.com](http://www.2helpU.com)



**Technical data**

		<b>KW750</b> (Type 5)
Input voltage	V <sub>ac</sub>	230
Power input	W	750
No-load speed	min <sup>-1</sup>	16,500
Planing width	mm	82
Planing depth	mm	2
Rebating depth	mm	12
Weight	kg	2.9

**EC declaration of conformity**  
MACHINERY DIRECTIVE

Black & Decker declares that these products described under "technical data" are in compliance with:  
EN62841-1:2015 , EN62841-2-14:2015.

These products also comply with Directive 2006/42/EC, 2014/30/EU and 2011/65/EU. For more information, please contact Black & Decker at the following address or refer to the back of the manual.

The undersigned is responsible for compilation of the technical file and makes this declaration on behalf of  
Black & Decker .

A. P. Smith  
Technical Director of Engineering  
Black & Decker Europe, 270 Bath Road, Slough,  
Berkshire, SL1 4DX, United Kingdom  
30/04/2019

<b>Vibration total values (triax vector sum) according to EN62841:</b>	
Vibration emission value (a <sub>w</sub> )	4.7 m/s <sup>2</sup>
uncertainty (K)	1.5 m/s <sup>2</sup>

<b>Level of sound pressure according to EN62841:</b>	
Sound pressure (L <sub>p</sub> )	86.0 dB(A), uncertainty (K) 3 dB(A)
Sound power (L <sub>w</sub> )	97.0 dB(A), uncertainty (K) 3 dB(A)

**Guarantee**

Black & Decker is confident of the quality of its products and offers consumers a 24 month guarantee from the date of purchase. This guarantee is in addition to and in no way prejudices your statutory rights. The guarantee is valid within the territories of the Member States of the European Union and the European Free Trade Area.

To claim on the guarantee, the claim must be in accordance with Black & Decker Terms and Conditions and you will need to submit proof of purchase to the seller or an authorised repair agent.

Terms and conditions of the Black & Decker 2 year guarantee and the location of your nearest authorised repair agent can be obtained on the Internet at [www.2helpU.com](http://www.2helpU.com), or by contacting your local Black & Decker office at the address indicated in this manual.

Please visit our website [www.blackanddecker.co.uk](http://www.blackanddecker.co.uk) to register your new Black & Decker product and receive updates on new products and special offers.

## Verwendungszweck

Ihr BLACK+DECKER KW750 Elektrohobel wurde zum Hobeln von Holz, Holzprodukten und Kunststoff entwickelt. Dieses Gerät kann nicht fest montiert werden. Dieses Gerät ist nicht für den gewerblichen Einsatz vorgesehen.

## Sicherheitshinweise

### Allgemeine Sicherheitswarnungen für das Gerät



**Warnung! Beachten Sie alle Sicherheitshinweise, Anweisungen, Darstellungen und Daten, die Sie mit dem Gerät erhalten.** Wenn Sie die folgenden Anweisungen nicht beachten, kann es zu elektrischem Schlag, Feuer und/oder schweren Verletzungen kommen.

**Bewahren Sie alle Warnhinweise und alle Anweisungen gut auf.** Der nachfolgend verwendete Begriff „Gerät“ oder „Elektrowerkzeug“ bezieht sich auf netzbetriebene Geräte (mit Netzkabel) und auf akkubetriebene Geräte (ohne Netzkabel).

### 1. Sicherheit im Arbeitsbereich

- Halten Sie den Arbeitsbereich sauber und gut ausgeleuchtet.** Unaufgeräumte oder dunkle Bereiche begünstigen Unfälle.
- Betreiben Sie Elektrowerkzeuge nicht in explosionsgefährdeten Umgebungen, in denen sich z. B. brennbare Flüssigkeiten, Gase oder Staub befinden.** Elektrowerkzeuge erzeugen Funken, die den Staub oder die Dämpfe entzünden können.
- Halten Sie Kinder und Zuschauer fern, während Sie ein Elektrogerät betreiben.** Ablenkung kann dazu führen, dass Sie die Kontrolle über das Gerät verlieren.

### 2. Elektrische Sicherheit

- Der Stecker des Elektrogerätes muss in die Steckdose passen. Ändern Sie niemals den Stecker in irgendeiner Form. Verwenden Sie keinerlei Adapterstecker an geerdeten Elektrogeräten.** Unveränderte Stecker und passende Steckdosen mindern die Gefahr eines elektrischen Schlages.
- Vermeiden Sie Körperkontakt mit geerdeten Flächen, wie Rohre, Radiatoren, Herde und Kühlgeräte.** Es besteht eine erhöhte Gefahr für einen elektrischen Schlag, wenn Ihr Körper geerdet ist.
- Setzen Sie Elektrogeräte keinem Regen oder feuchter Umgebung aus.** Wenn Wasser in das Elektrogerät eindringt, erhöht sich die Gefahr eines elektrischen Schlages.
- Behandeln Sie das Kabel sorgfältig. Verwenden Sie niemals das Kabel, um das Elektrogerät zu tragen oder durch Ziehen vom Netz zu trennen. Halten Sie das Kabel fern von Hitze, Öl, scharfen Kanten oder beweglichen Teilen.** Beschädigte oder verhedderte Kabel erhöhen die Gefahr eines elektrischen Schlages.

- Wenn Sie ein Elektrogerät im Freien betreiben, verwenden Sie ein für den Außeneinsatz geeignetes Verlängerungskabel.** Die Verwendung von für den Außeneinsatz geeigneten Kabeln mindert die Gefahr eines elektrischen Schlages.
- Wenn der Betrieb eines Elektrogerätes in feuchter Umgebung unumgänglich ist, verwenden Sie eine durch einen Fehlerstromschutzschalter (FI-Schalter oder RCD) geschützte Stromversorgung.** Der Einsatz eines Fehlerstromschutzschalters mindert die Gefahr eines elektrischen Schlages.

### 3. Sicherheit von Personen

- Seien Sie aufmerksam, achten Sie darauf, was Sie tun, und gehen Sie mit Vernunft an die Arbeit mit einem Elektrowerkzeug. Benutzen Sie kein Gerät, wenn Sie müde sind oder unter dem Einfluss von Drogen, Alkohol oder Medikamenten stehen.** Ein Moment der Unachtsamkeit beim Betrieb eines Elektrogerätes kann zu schweren Verletzungen führen.
- Tragen Sie persönliche Schutzausrüstung. Tragen Sie immer einen Augenschutz.** Das Tragen persönlicher Schutzausrüstung, wie Staubmaske, rutschfeste Sicherheitsschuhe, Schutzhelm oder Gehörschutz, je nach Art und Einsatz des Elektrowerkzeuges, verringert das Risiko von Verletzungen.
- Vermeiden Sie unbeabsichtigtes Starten. Vergewissern Sie sich, dass das Gerät ausgeschaltet ist, bevor Sie es an eine Steckdose oder einen Akku anschließen, es hochheben oder tragen.** Wenn Sie beim Tragen des Elektrowerkzeuges den Finger am Schalter haben oder das Gerät eingeschaltet an die Stromversorgung anschließen, kann dies zu Unfällen führen.
- Entfernen Sie alle Einstellschlüssel oder Werkzeuge, bevor Sie das Elektrogerät einschalten.** Werkzeuge oder Schlüssel, die an rotierenden Teilen des Elektrogerätes angebracht sind, können zu Verletzungen führen.
- Vermeiden Sie eine anormale Körperhaltung. Sorgen Sie für einen sicheren Stand und halten Sie jederzeit das Gleichgewicht.** Dadurch können Sie das Elektrowerkzeug in unerwarteten Situationen besser kontrollieren.
- Tragen Sie geeignete Kleidung. Tragen Sie keine weite Kleidung und keinen Schmuck. Halten Sie Ihre Haare und Kleidung von beweglichen Teilen fern.** Lose sitzende Kleidung, Schmuck oder lange Haare können sich in den beweglichen Teilen verfangen.
- Wenn Geräte für den Anschluss an eine Staubabsaugung und Staubsammlung vorgesehen sind, vergewissern Sie sich, dass diese richtig**

angeschlossen sind und verwendet werden. Der Einsatz von Staubsammlern kann staubbedingte Gefahren mindern.

- h. Vermeiden Sie, durch die häufige Nutzung des Werkzeugs in einen Trotz zu verfallen und Prinzipien für die Werkzeugsicherheit zu ignorieren.** Eine unachtsame Aktion kann im Bruchteil einer Sekunde zu schweren Verletzungen führen.

#### 4. Gebrauch und Pflege von Geräten

- a. Überlasten Sie das Elektrogerät nicht. Verwenden Sie das für Ihre Arbeit passende Gerät.** Das richtige Gerät wird die Aufgabe besser und sicherer erledigen, wenn es bestimmungsgemäß verwendet wird.
- b. Benutzen Sie kein Elektrowerkzeug, dessen Schalter defekt ist.** Ein Elektrowerkzeug, das sich nicht mehr ein- oder ausschalten lässt, ist gefährlich und muss repariert werden.
- c. Trennen Sie den Stecker vom Netz und/oder, falls abnehmbar, den Akku vom Elektrogerät, bevor Sie Einstellungen am Gerät vornehmen, Zubehör wechseln oder es aufbewahren.** Diese Vorbeugemaßnahmen mindern die Gefahr, dass das Elektrogerät unbeabsichtigt startet. Diese Vorbeugemaßnahmen mindern die Gefahr, dass das Elektrogerät unbeabsichtigt startet.
- d. Bewahren Sie nicht verwendete Elektrogeräte für Kinder unerreichbar auf und lassen Sie nicht zu, dass Personen ohne Erfahrung mit dem Elektrogerät oder mit diesen Anweisungen das Elektrogerät bedienen.** Elektrogeräte sind in den Händen nicht geschulter Personen gefährlich.
- e. Halten Sie das Gerät und sein Zubehör in einem einwandfreien Zustand. Kontrollieren Sie, ob bewegliche Teile falsch ausgerichtet sind oder klemmen und ob Teile gebrochen oder so beschädigt sind, dass die Funktion des Geräts beeinträchtigt ist. Bei Beschädigungen lassen Sie das Gerät reparieren, bevor Sie es verwenden.** Viele Unfälle entstehen wegen mangelnder Wartung der Elektrogeräte.
- f. Halten Sie Schneidwerkzeuge scharf und sauber.** Richtig gewartete Schneidwerkzeuge mit scharfen Klingen blockieren seltener und sind leichter unter Kontrolle zu halten.
- g. Verwenden Sie Elektrogeräte, Zubehör und Einsätze (Bits) usw. gemäß diesen Anweisungen und unter Berücksichtigung der Arbeitsbedingungen und der Aufgabe.** Wenn Sie das Elektrogerät für Aufgaben verwenden, die nicht bestimmungsgemäß sind, kann dies zu gefährlichen Situationen führen.
- h. Halten Sie die Griffe trocken, sauber und frei von Öl und Fett.** Rutschige Griffe und Oberflächen unterbinden die sichere Bedienbarkeit und Kontrolle über das Werkzeug in unerwarteten Situationen.

#### 5. Service

- a. Lassen Sie Ihr Elektrowerkzeug nur von qualifiziertem Fachpersonal und nur mit Original-Ersatzteilen reparieren.** Damit wird sichergestellt, dass die Sicherheit des Gerätes erhalten bleibt.

#### Zusätzliche Sicherheitswarnungen für das Gerät

- **Warten Sie, bis das Messer zum Stillstand gekommen ist, bevor Sie das Gerät aus der Hand legen.** Das freiliegende Messer kann sich in der Oberfläche der Ablage verfangen. Dadurch ist die Kontrolle über das Gerät nicht mehr gewährleistet, und es besteht das Risiko schwerer Verletzungen.
- **Halten Sie das Gerät an der isolierten Grifffläche, da das Messer mit dem Gerätekel in Berührung kommen könnte.** Der Kontakt mit stromführenden Leitungen kann auch offen liegende Metallteile am Gerät unter Strom setzen und zu einem Stromschlag führen.
- **Sichern Sie das Werkstück zum Beispiel mit Einspannvorrichtungen auf einer stabilen Plattform.** Ein Werkstück, das mit der Hand oder gegen den Körper gehalten wird, ist unzureichend befestigt und kann leicht außer Kontrolle geraten.
- **Tragen Sie eine Staubmaske.**
- **Halten Sie das Messer scharf.** Stumpfe oder beschädigte Messer können dazu führen, dass der Elektrohobel unter Druck blockiert oder ausbricht. Verwenden Sie stets ein für das Gerät geeignetes Messer.
- Unmittelbar nach Gebrauch des Geräts sollten Sie weder das Werkstück noch das Messer berühren. Sie können sehr heiß werden.
- Entfernen Sie vor dem Hobeln sämtliche Nägel und andere metallische Gegenstände aus dem Werkstück.
- Halten Sie das Gerät stets mit beiden Händen an den jeweiligen Griffen.
- Ziehen Sie den Stecker sofort aus der Netzsteckdose, falls das Kabel beschädigt oder durchtrennt wurde.



**Warnung!** Die beim Hobeln von bestimmten Materialien entstehenden Stäube können bei Berührung oder Einatmen die Gesundheit schädigen. Tragen Sie eine speziell für den Schutz vor Staub und Dämpfen vorgesehene Staubmaske, und stellen Sie sicher, dass auch andere Personen entsprechend geschützt sind, die den Arbeitsplatz betreten oder sich dort aufhalten.

- Dieses Gerät darf nicht von Personen (einschließlich Kindern) mit eingeschränkten körperlichen, sensorischen oder geistigen Fähigkeiten oder mangelnder Erfahrung und Wissen in Bezug auf dessen Gebrauch bedient werden, es sei denn, sie werden bei der Verwendung des Geräts von einer erfahrenen Person beaufsichtigt oder angeleitet. Lassen Sie nicht zu, dass Kinder mit dem Gerät spielen.
- Die bestimmungsgemäße Verwendung ist in dieser Betriebsanleitung beschrieben. Die Verwendung von Zubehör- oder Anbauteilen, die nicht in dieser Anleitung empfohlen werden, sowie die Bedienung

des Geräts in Abweichung von den in dieser Anleitung beschriebenen Verfahren können zu Verletzungen und/oder Sachschäden führen.

### Sicherheit anderer Personen

- Dieses Gerät darf nicht von Personen (einschließlich Kindern) mit eingeschränkten physischen, sensorischen oder mentalen Fähigkeiten oder ohne ausreichende Erfahrung oder Kenntnisse verwendet werden, außer wenn diese Personen von einer Person, die für ihre Sicherheit verantwortlich ist, bei der Verwendung des Geräts beaufsichtigt oder mit ihm vertraut gemacht werden.
- Lassen Sie nicht zu, dass Kinder mit dem Gerät spielen.

### Restrisiken

Beim Gebrauch dieses Geräts verbleiben zusätzliche Restrisiken, die möglicherweise nicht in den Sicherheitswarnungen genannt werden. Diese Risiken bestehen beispielsweise bei Missbrauch oder längerem Gebrauch.

Auch bei der Einhaltung der entsprechenden Sicherheitsvorschriften und der Verwendung aller Sicherheitsgeräte bestehen weiterhin bestimmte Restrisiken. Diese sind:

- Verletzungen, die durch das Berühren von sich drehenden/bewegenden Teilen verursacht werden.
- Verletzungen, die durch das Austauschen von Teilen, Messern oder Zubehör verursacht werden.
- Der längere Gebrauch eines Geräts kann Verletzungen zur Folge haben. Legen Sie bei längerem Gebrauch regelmäßige Pausen ein.
- Schwerhörigkeit.
- Gesundheitsrisiken durch das Einatmen von Staub beim Gebrauch des Geräts (z. B. bei Holzarbeiten, insbesondere Eiche, Buche und Pressspan)

### Vibration

Die in den Abschnitten "Technische Daten" und "EU-Konformitätserklärung" angegebenen Werte für die Vibrationsemission wurden mit einer Standard-Prüfmethode nach EN62841 ermittelt und können zum Vergleich verschiedener Geräte herangezogen werden. Außerdem kann mit Hilfe dieses Werts die Belastung bei Verwendung des Geräts schon im Voraus eingeschätzt werden.



**Warnung!** Die bei Verwendung des Geräts auftretende Vibrationsemission hängt von der Art des Gerätegebrauchs ab und kann dementsprechend von dem angegebenen Wert abweichen. Gegebenenfalls kann die Vibration über dem angegebenen Wert liegen.

Für die Ermittlung der Vibrationsbelastung müssen die tatsächlichen Einsatzbedingungen und Verwendungen des Geräts während des gesamten Arbeitsgangs berücksichtigt werden, einschließlich der Zeiten, wenn das Gerät nicht verwendet oder im Leerlauf betrieben wird. Diese Werte werden benötigt, um die gemäß 2002/44/EG erforderlichen Sicherheitsmaßnahmen zum Schutz von Personen festlegen zu können.

### Etiketten am Werkzeug

Am Gerät sind die folgenden Warnsymbole inkl. Datumscode angebracht:



**Warnung!** Lesen Sie vor Gebrauch die Anleitung. Andernfalls besteht Verletzungsgefahr.

### Elektrische Sicherheit



Dieses Gerät ist schutzisoliert, daher ist keine Erdleitung erforderlich. Überprüfen Sie immer, dass die Stromversorgung der Spannung auf dem Typenschild entspricht.

- Bei einer Beschädigung des Netzkabels muss dieses durch den Hersteller oder eine BLACK+DECKER Vertragswerkstatt ausgetauscht werden, um mögliche Gefahren zu vermeiden.

### Merkmale

Dieses Gerät verfügt über einige oder alle der folgenden Merkmale:

1. Ein-/Aus-Schalter
2. Schalterarretierung
3. Spanauswurf
4. Spanauswurfwahl
5. Einstellknopf für die Hobeltiefe
6. Hobeltiefeneinteilung

### Montage



**Warnung!** Vergewissern Sie sich vor der Montage, dass das Gerät ausgeschaltet ist und der Netzstecker gezogen wurde.

### Auswechseln der Schneidmesser (Abb. A)

Die mit diesem Gerät gelieferten Messer sind doppelseitig. Im Einzelhandel ist eine Auswahl an Ersatzmessern erhältlich.

### Entfernen

- Lösen Sie die Schrauben (7) mit dem mitgelieferten Schraubenschlüssel.
- Ziehen Sie die Klinge (8) aus der Halterung.
- Drehen Sie die Klinge um, so dass nun die bislang ungenutzte Seite verwendet wird. Die Klinge muss ersetzt werden, wenn beide Seiten abgenutzt sind.

### Anbringen

- Schieben Sie die Klinge in die Halterung, bis diese am Anschlag anliegt.
- Ziehen Sie die Schrauben mit dem mitgelieferten Schraubenschlüssel fest.



**Warnung!** Ersetzen Sie stets beide Messer.

### Einstellen der Schnittiefe (Abb. B)

Die Schnittiefe wird durch die Markierung (9) angezeigt. Der Einstellungsbereich kann auf der Skala (6) abgelesen werden.

- Stellen Sie den Einstellknopf für die Hobeltiefe (5) auf die gewünschte Schnittiefe ein.
- Stellen Sie den Knopf stets auf die Stellung "P" ein, wenn das Gerät nicht verwendet wird.

## Anbringen und Entfernen des Parallelenschlags (Abb. C)

Der Parallelenschlag dient einer optimalen Führung bei schmalen Werkstücken.

- Schrauben Sie den Knopf (11) in das Loch an der Seite des Hobels, und ziehen Sie diesen sicher fest.
- Lösen Sie den Einstellknopf für den Parallelenschlag (10).
- Schieben Sie den Parallelenschlag in die gewünschte Position.
- Ziehen Sie den Einstellknopf für den Parallelenschlag sicher fest.

**Hinweis:** Bei ordnungsgemäßer Anbringung befindet sich der Parallelenschlag unter dem Hobel.

- Führen Sie die vorherigen Schritte in umgekehrter Reihenfolge aus, um den Parallelenschlag abzunehmen.

## Anschließen eines Staubsaugers (Abb. D)

Zum Anschließen eines Staubsaugers oder einer Absaugvorrichtung ist ein Staubsaugeradapter erforderlich. Der Staubsaugeradapter ist bei Ihrem Black & Decker-Händler erhältlich.

- Schieben Sie den Adapter (12) über die Spanauswurföffnung (3).
- Schließen Sie den Schlauch des Staubsaugers (13) am Adapter an.

## Anbringen des Spanauffangbeutels (Abb. E)

Der Spanauffangbeutel ist bei der Arbeit in beengten Platzverhältnissen besonders nützlich.

- Schieben Sie die Verbindungsplatte (14) des Beutels über die Spanauswurföffnung (3) an einer Seite des Geräts.
- Stellen Sie die Spanauswurfauwahl (4) auf die dem Beutel gegenüberliegende Seite ein, um zu verhindern, dass auf dieser Seite Späne ausgeworfen werden.

## Leeren des Spanauffangbeutels

Der Spanauffangbeutel sollte während der Verwendung regelmäßig geleert werden, um ein Verstopfen der Auswurföffnung zu verhindern.

- Öffnen Sie den Beutel und entleeren Sie ihn, bevor Sie mit der Arbeit fortfahren.

## Verwendung



**Warnung!** Beschleunigen Sie den Arbeitsvorgang nicht mit Gewalt. Vermeiden Sie eine Überlastung.

- Stellen Sie die Schnitttiefe ein.
- Bringen Sie gegebenenfalls den Parallelenschlag an und stellen Sie ihn ein.

## Ein- und Ausschalten

### Ein-schalten

- Halten Sie den Verriegelungsknopf (2) gedrückt, und drücken Sie den Ein-/Ausschalter (1).
- Lassen Sie den Verriegelungsknopf los.

### Ausschalten

- Lassen Sie den Ein-/Ausschalter los.

## Hobeln

- Halten Sie das Gerät so, dass die Nase der Grundplatte auf dem Werkstück aufliegt.
- Schalten Sie das Werkzeug ein.
- Führen Sie die Schnittbewegung aus, indem Sie das Gerät gleichmäßig vorwärts bewegen.
- Schalten Sie das Gerät nach dem Abschluss des Schnitts aus.

## Einzelzen (Abb. F)

- Bringen Sie den Parallelenschlag an und stellen Sie ihn ein.
- Gehen Sie wie beim Hobeln vor.

## Abschrägen von Kanten (Abb. G)

Die V-förmigen Nuten in der Nase der Grundplatte ermöglichen das Abschrägen von Kanten im Winkel von 45°, 30° oder 15°.

- Setzen Sie das Gerät schrägwinklig mit der gewünschten Nut (20) auf die Kante des Werkstücks, und führen Sie die Schnittbewegung aus.

## Auflage (Abb. H)

Der Elektrohobel verfügt über eine Auflage (21), die automatisch ausgefahren wird, sobald der Hobel vom Werkstück abgehoben wird. Beim Hobeln wird die Auflage in das Gerät gedrückt. Der Hobel kann mit ausgefahrener Auflage auf der Arbeitsfläche abgesetzt werden, ohne dass die Klinge diese berührt.

## Hinweise für optimale Arbeitsergebnisse

- Bewegen Sie das Gerät in Richtung der Holzmaserung.
- Stellen Sie die Schnitttiefe so ein, dass nur eine dünne Schicht abgehobelt wird, wenn Sie gegen die Maserung arbeiten, diese wellig ist oder es sich bei dem Werkstück um Hartholz handelt. Führen Sie mehrere Durchgänge aus, um das gewünschte Ergebnis zu erzielen.
- Bewegen Sie das Gerät in gerader Linie. Drücken Sie zu Beginn der Schnittbewegung auf die Vorderseite des Geräts und zum Ende der Schnittbewegung auf die Hinterseite des Geräts.

## Zubehör

Das verwendete Zubehör hat wesentlichen Einfluss auf die Leistung des Geräts. Zubehörteile von Black & Decker und Piranha erfüllen höchste Qualitätsstandards und wurden speziell für die Verwendung mit Ihrem Gerät entwickelt. Bei Verwendung dieses Zubehörs erhalten Sie stets optimale Ergebnisse.

Im Einzelhandel sind folgende Ersatzmesser erhältlich:

- Doppelseitige hartmetallbestückte Klingen (Artikelnr. X35007, Doppelpack)
- Doppelseitige Schnellarbeitsstahl-Klingen (Artikelnr. X24192-XJ11, Doppelpack)

## Wartung

Ihr BLACK+DECKER-Gerät wurde im Hinblick auf eine lange Lebensdauer und einen möglichst geringen Wartungsaufwand entwickelt. Ein kontinuierlicher, zufriedenstellender Betrieb hängt von der richtigen Pflege des Gerätes und seiner regelmäßigen Reinigung ab.



**Warnung!** Ziehen Sie vor jeglichen Reinigungs- oder Wartungsarbeiten am Gerät den Netzstecker des Geräts aus der Steckdose. Ziehen Sie das Ladegerät aus der Netzsteckdose, bevor Sie es reinigen.

- Reinigen Sie regelmäßig die Lüftungsschlitze des Geräts mit Hilfe einer weichen Bürste oder eines trockenen Tuchs.
- Reinigen Sie das Motorgehäuse regelmäßig mit einem feuchten Tuch.
- Verwenden Sie keine scheuernden Reinigungsmittel oder Reinigungsmittel auf Lösungsmittelbasis.

## Auswechseln des Antriebsriemens (Abb. I)

- Lösen Sie die Schrauben (15), und nehmen Sie die Abdeckung (16) ab.
- Entfernen Sie den alten Antriebsriemen.
- Legen Sie den neuen Antriebsriemen (17) um die Riemenscheiben. Legen Sie den Riemen zuerst über die große Riemenscheibe (18) und anschließend über die kleine Riemenscheibe (19). Drehen Sie den Riemen dabei gleichmäßig.
- Bringen Sie die Abdeckung wieder an und ziehen Sie die Schrauben fest.

## Kontrollieren und Ersetzen der Motorbürsten (Abb. J)

Die Bürsten sollten regelmäßig auf Abnutzung kontrolliert werden.

- Nehmen Sie die Bürstenabdeckung (22) ab. Die Bürsten sollten sich innerhalb des Bürstengehäuses frei bewegen können. Bürsten, die auf 8 mm abgenutzt sind, müssen ersetzt werden.

Bringen Sie eine neue Bürste an, indem Sie diese in das Bürstengehäuse drücken. Stellen Sie sicher, dass die neue Bürste ebenso ausgerichtet ist, wie die zuvor verwendete. Bringen Sie die Bürstenabdeckung wieder an und ziehen Sie diese nicht zu fest an.

## Umweltschutz



Getrennte Entsorgung. Produkte und Akkus mit diesem Symbol dürfen nicht mit dem normalen Hausmüll entsorgt werden.

Produkte und Akkus enthalten Materialien, die wiederverwertet werden können, um den Bedarf an Rohstoffen zu verringern. Bitte recyceln Sie elektrische Produkte und Akkus gemäß den örtlichen Bestimmungen. Weitere Informationen finden Sie auf [www.2helpU.com](http://www.2helpU.com)

## Technische Daten

		<b>KW750 (Typ 5)</b>
<b>Eingangsspannung</b>	V <sub>ac</sub>	230
<b>Leistungsaufnahme</b>	W	750
<b>Leerlaufdrehzahl</b>	min <sup>-1</sup>	16.500
<b>Hobelbreite</b>	mm	82
<b>Hobeltiefe</b>	mm	2
<b>Einfalztiefe</b>	mm	12
<b>Gewicht</b>	kg	2,9

<b>Gesamtvibration (Triax-Vektorsumme) gemäß EN62841:</b>
Vibrationsemissionswert (a <sub>v</sub> ) 4,7 m/s <sup>2</sup>
Unsicherheitsfaktor (K) 1,5 m/s <sup>2</sup>

<b>Schalldruckpegel gemäß EN62841:</b>
Schalldruck (L <sub>wa</sub> ) 86,0 dB(A), Unsicherheitsfaktor (K) 3 dB(A)
Schallleistung (L <sub>wa</sub> ) 97,0 dB(A), Unsicherheitsfaktor (K) 3 dB(A)

## EU-Konformitätserklärung MASCHINENRICHTLINIE



KW750 Elektrohobel

Black & Decker erklärt, dass die in den technischen Daten beschriebenen Geräte übereinstimmen mit:  
EN62841-1:2015, EN62841-2-14:2015.

Diese Produkte entsprechen außerdem den Richtlinien 2006/42/EC, 2014/30/EU und 2011/65/EU. Weitere Informationen erhalten Sie von Black & Decker unter der folgenden Adresse. Diese befindet sich auch auf der Rückseite dieser Anleitung.

Der Unterzeichnete ist verantwortlich für die Zusammenstellung des technischen Dossiers und gibt diese Erklärung im Namen von  
Black & Decker ab.

A. P. Smith  
Technical Director of Engineering  
Black & Decker Europe, 270 Bath Road, Slough,  
Berkshire, SL1 4DX, Großbritannien  
30.04.2019

### Garantie

Black & Decker vertraut auf die Qualität der eigenen Geräte und bietet dem Käufer eine außergewöhnliche Garantie von 24 Monaten ab Kaufdatum. Diese Garantie versteht sich unbeschadet der gesetzlichen Gewährleistungsansprüche und schränkt diese keinesfalls ein. Diese Garantie gilt innerhalb der Staatsgebiete der Mitgliedstaaten der Europäischen Union und der Europäischen Freihandelszone.

Zur Inanspruchnahme dieser Garantie muss sie den allgemeinen Geschäftsbedingungen von Black & Decker entsprechen und dem Verkäufer bzw. der Vertragswerkstatt ist ein Kaufnachweis vorzulegen.

Die Bedingungen für die Black & Decker Garantie von 2 Jahren und den Standort Ihrer nächstgelegenen Vertragswerkstatt finden Sie im Internet unter [www.2helpU.com](http://www.2helpU.com) oder indem Sie sich an die lokale Black & Decker-Niederlassung wenden, deren Adresse Sie in dieser Anleitung finden.

Bitte besuchen Sie unsere Website unter [www.blackanddecker.co.uk](http://www.blackanddecker.co.uk), um Ihr neues Black & Decker-Produkt zu registrieren. Dort erhalten Sie auch Informationen über neue Produkte und Sonderangebote.



## Utilisation prévue

Votre rabot BLACK+DECKERKW750 a été conçu pour raboter le bois, les produits dérivés du bois et le plastique. Il s'agit d'un outil portatif. Cet outil est destiné à un usage grand public uniquement.

## Consignes de sécurité

### Avertissements de sécurité générale propres aux outils électriques



**Avertissement ! Veuillez lire tous les avertissements de sécurité, toutes les instructions, toutes les illustrations et toutes les spécifications fournies avec cet outil électrique.**

Le non-respect de toutes les instructions listées ci-dessous peut conduire à des chocs électriques, des incendies et/ou de graves blessures.

**Conservez tous les avertissements et toutes les instructions afin de pouvoir vous y référer dans le futur.** Le terme "outil électrique" mentionné dans tous les avertissements listés ci-dessous fait référence à vos outils électriques branchés sur secteur (avec câble) ou fonctionnant sur pile ou batterie (sans fil).

#### 1. Sécurité de la zone de travail

- a. **Gardez la zone de travail propre et bien éclairée.**  
Les zones sombres ou encombrées sont propices aux accidents.
- b. **N'utilisez pas d'outils électriques dans un environnement présentant des risques d'explosion ou en présence de liquides, gaz ou poussières inflammables.** Les outils électriques créent des étincelles qui peuvent enflammer les poussières et les fumées.
- c. **Maintenez les enfants et les autres personnes à l'écart lorsque les outils électriques sont en marche.** Toute distraction peut vous faire perdre le contrôle de l'outil.

#### 2. Sécurité électrique

- a. **Les prises des outils électriques doivent correspondre à la prise de courant murale. Ne modifiez jamais la prise d'aucune sorte. N'utilisez aucun adaptateur avec des outils électriques reliés à la terre.** L'utilisation de prises d'origine et de prises murales appropriées permet de réduire le risque de décharge électrique.
  - b. **Évitez tout contact physique avec des surfaces reliées à la terre comme des tuyaux, des radiateurs, des fours et des réfrigérateurs par exemple.** Le risque de décharge électrique augmente si votre corps est relié à la terre.
  - c. **N'exposez pas les outils électriques à la pluie, ni à l'humidité.** Le risque de décharge électrique augmente si de l'eau pénètre dans un outil électrique.
  - d. **Ne tirez pas sur le cordon d'alimentation. N'utilisez jamais le cordon pour transporter, tirer ou débrancher l'outil électrique. Maintenez le cordon**
- à l'écart de la chaleur, des substances grasses, des bords tranchants ou des pièces mobiles.** Les cordons endommagés ou emmêlés augmentent le risque de décharge électrique.
- e. **Si vous utilisez un outil électrique à l'extérieur, utilisez une rallonge homologuée pour les travaux extérieurs.** L'utilisation d'une rallonge électrique homologuée pour les travaux en extérieur réduit le risque de décharge électrique.
  - f. **Si l'utilisation d'un outil électrique dans un endroit humide est inévitable, utilisez une alimentation électrique protégée par un disjoncteur différentiel à courant résiduel (DDR).** L'utilisation d'un DDR réduit le risque de décharge électrique.
- #### 3. Sécurité des personnes
- a. **Restez vigilant, surveillez ce que vous faites et faites preuve de bon sens lorsque vous utilisez un outil électrique. N'utilisez pas d'outils électriques si vous êtes fatigué ou sous l'influence de drogue, d'alcool ou de médicaments.** Tout moment d'inattention pendant l'utilisation d'un outil électrique peut engendrer de graves blessures.
  - b. **Portez des équipements de protection individuelle. Portez toujours une protection oculaire.** Les équipements de protection comme les masques à poussière, les chaussures de sécurité antidérapantes, les casques ou les protections auditives utilisés à bon escient réduisent le risque de blessures.
  - c. **Empêchez tout démarrage intempestif. Assurez-vous que l'interrupteur est en position Arrêt avant de raccorder l'outil à l'alimentation électrique et/ou au bloc-batterie ou avant de ramasser ou de transporter l'outil.** Le fait de transporter les outils électriques le doigt sur l'interrupteur ou d'alimenter les outils électriques dont l'interrupteur est déjà en position de marche augmente les accidents.
  - d. **Retirez toutes les clés ou pinces de réglage avant de mettre l'outil en marche.** Une clé ou une pince restée fixée à la partie rotative de l'outil électrique peut engendrer des blessures.
  - e. **Ne vous penchez pas. Gardez les pieds bien ancrés au sol et conservez votre équilibre en permanence.** Cela permet de mieux maîtriser l'outil électrique en cas de situations imprévues.
  - f. **Portez des vêtements appropriés. Ne portez aucuns vêtements amples, ni bijoux. Gardez vos cheveux et vos vêtements éloignés des pièces mobiles.** Les vêtements amples, les bijoux ou les cheveux longs peuvent être happés par les pièces mobiles.
  - g. **Si vous disposez de dispositifs pour l'extraction et la récupération des poussières, veillez à ce qu'ils soient correctement raccordés et utilisés.** L'utilisation de dispositifs récupérateurs de poussières réduit les risques liés aux poussières.



h. **Ne pensez pas être à ce point familiarisé avec l'outil après l'avoir utilisé à de nombreuses reprises, au point de ne plus rester vigilant et d'en oublier les consignes de sécurité.** Toute action imprudente peut engendrer de graves blessures en une fraction de seconde.

#### 4. Utilisation et entretien d'un outil électrique

- a. **Ne sur-sollicitez pas l'outil électrique. Utilisez le bon outil électrique, adapté à la tâche à réaliser.** Un outil adapté fonctionne mieux, de façon plus sûre et à la cadence pour laquelle il a été conçu.
- b. **N'utilisez pas l'outil électrique si l'interrupteur ne permet plus de le mettre en marche et de l'éteindre.** Tout appareil électrique qui ne peut plus être commandé par son interrupteur est dangereux et doit être réparé.
- c. **Débranchez la source d'alimentation électrique et/ou retirez le bloc-batterie de l'outil électrique s'il est amovible, avant d'effectuer tout réglage, de changer un accessoire ou de ranger l'outil électrique.** Ces mesures de sécurité préventives réduisent le risque de démarrage accidentel de l'outil électrique.
- d. **Rangez les outils électriques non utilisés hors de portée des enfants et ne laissez aucune personne ne connaissant pas ces outils ou leurs instructions d'utilisation les faire fonctionner.** Les outils électriques peuvent être dangereux entre des mains inexpérimentées.
- e. **Entretenez vos outils électriques et leurs accessoires. Vérifiez que les pièces mobiles sont alignées correctement et qu'elles ne sont pas coincées. Vérifiez qu'aucune pièce n'est cassée et contrôlez l'absence de toute autre condition qui pourrait nuire au bon fonctionnement de l'outil. En cas de dommage, faites réparer l'outil électrique avant de le réutiliser.** De nombreux accidents sont provoqués par des outils électriques mal entretenus.
- f. **Maintenez les outils de coupe affûtés et propres.** Des outils de coupe bien entretenus dont le tranchant est affûté sont moins susceptibles de rester coincés et sont plus faciles à contrôler.
- g. **Utilisez l'outil électrique, les accessoires et les embouts d'outils conformément à ces instructions, en tenant compte des conditions de travail et de la tâche à effectuer.** L'utilisation d'un outil électrique à des fins autres que celles pour lesquelles il a été prévu engendre des situations dangereuses.
- h. **Maintenez toutes les poignées et surfaces de préhension sèches, propres et exemptes d'huile et de graisse.** Des poignées et des surfaces de préhension glissantes ne permettent pas de manipuler et de contrôler l'outil correctement en cas de situations inattendues.

#### 5. Révision/Réparation

- a. **Faites réviser/réparer votre outil électrique par une personne qualifiée, n'utilisant que des pièces de rechange d'origine.** Cela permet de garantir la sûreté de l'outil électrique.

#### Avertissement de sécurité supplémentaires propres aux outils électriques

- **Attendez que le rabot soit arrêté avant de le reposer.**  
Une lame à nu peut pénétrer la surface et conduire à une potentielle perte de contrôle et de graves blessures.
- **Tenez l'outil électrique par sa surface de préhension isolée car il existe un risque que la lame entre en contact avec le cordon de l'outil.** Le sectionnement d'un fil sous tension peut mettre les parties métalliques exposées de l'outil sous tension et provoquer une décharge électrique à l'utilisateur.
- **Utilisez des pinces ou tout autre moyen pratique pour fixer et soutenir l'ouvrage sur une plateforme stable.**  
Tenir l'ouvrage dans votre main ou contre votre corps le rend instable et peut conduire à une perte de contrôle.
- **Portez un masque anti-poussière.**
- **Veillez à ce que la lame soit affûtée.** Les lames émoussées ou endommagées peuvent faire dévier ou bloquer le rabot. Utilisez toujours le bon type de lame adapté à l'outil électrique.
- Ne touchez ni l'ouvrage si, la lame immédiatement après avoir utilisé l'outil. Ils peuvent être très chauds.
- Retirez tous les clous et tous les objets métalliques de l'ouvrage avant de le raboter.
- Tenez toujours l'outil à deux mains et par les poignées existantes.
- Débranchez immédiatement le câble de la prise de courant s'il est endommagé ou sectionné.



**Avertissement !** Tout contact ou inhalation des poussières émises pendant le rabotage peut nuire à la santé de l'opérateur et à celle des personnes à proximité. Portez un masque anti-poussière spécialement conçu pour vous protéger des poussières et des fumées et veillez à ce que les personnes qui se trouvent à l'intérieur de la zone de travail ou qui y pénètrent soient également protégées.

- Cet outil ne peut pas être utilisé par des personnes (y compris des enfants) ayant des capacités mentales, sensorielles ou physiques réduites, ou celles manquant d'expérience et de connaissances, à moins qu'elles ne soient encadrées ou qu'elles n'aient été formées à l'utilisation de l'outil par une personne responsable de leur sécurité. Les enfants doivent être surveillés pour garantir qu'ils ne jouent pas avec l'appareil.
- L'utilisation prévue est décrite dans ce manuel d'utilisation. L'utilisation d'un accessoire ou d'un équipement ou l'utilisation de cet outil à d'autres fins que celles recommandées dans ce manuel d'utilisation peut présenter un risque de blessures et/ou de dégâts matériels.

## Sécurité des personnes

- Cet appareil n'est pas prévu pour être utilisé par des personnes (y compris des enfants) ayant des capacités physiques, sensorielles ou mentales réduites ou qui manquent d'expérience et de connaissances, sauf si elles sont supervisées ou formées à l'utilisation de l'appareil par une personne responsable de leur sécurité.
- Les enfants doivent être surveillés pour garantir qu'ils ne jouent pas avec l'appareil.

## Risques résiduels

Certains risques résiduels autres que ceux mentionnés dans les avertissements sur la sécurité peuvent survenir en utilisant l'outil. Ces risques peuvent être provoqués par une utilisation incorrecte, prolongée, etc.

Malgré l'application de toutes les réglementations sur la sécurité pertinentes et la mise en œuvre de dispositifs de sécurité, certains risques résiduels ne peuvent pas être évités. Ils comprennent :

- Les blessures dues au contact avec des pièces mobiles/ en rotation.
- Les blessures dues au changement de pièces, de lames ou d'accessoires.
- Les blessures dues à l'utilisation prolongée d'un outil. Lorsque vous utilisez un outil quel qu'il soit pendant de longues périodes, assurez-vous de faire des pauses régulières.
- Troubles de l'ouïe.
- Risques pour la santé dus à l'inhalation de poussières produites pendant l'utilisation de l'outil (exemple : travail avec du bois, surtout le chêne, le hêtre et les panneaux en MDF)

## Vibrations

La valeur des émissions de vibrations déclarée dans les caractéristiques techniques et la déclaration de conformité a été mesurée conformément à la méthode de test normalisée établie par la norme EN62841 et peut être utilisée pour comparer un outil à un autre. La valeur des vibrations émises déclarée peut aussi être utilisée pour une évaluation préliminaire à l'exposition.



**Avertissement !** En fonction de la manière dont l'outil est utilisé, la valeur réelle des vibrations émises pendant son utilisation peut différer de la valeur déclarée. Le niveau des vibrations peut dépasser le niveau déclaré.

Quand l'exposition aux vibrations est évaluée afin de déterminer les mesures de sécurité requises par la norme 2002/44/CE pour protéger les personnes utilisant régulièrement des outils électriques, l'estimation doit tenir compte des conditions réelles d'utilisation et de la façon dont l'outil est utilisé. Il faut également tenir compte de toutes les composantes du cycle de fonctionnement comme la durée pendant laquelle l'outil est arrêté et quand il fonctionne au ralenti, ainsi que la durée du déclenchement.

## Étiquettes apposées sur l'outil

Les symboles suivant figurent sur l'outil avec le code date :



**Avertissement !** Afin de réduire le risque de blessures, l'utilisateur doit lire le manuel d'utilisation.

## Sécurité électrique



Cet outil est doublement isolé et ne nécessite donc aucun fil de liaison à la terre. Assurez-vous toujours que l'alimentation électrique correspond à la tension mentionnée sur la plaque signalétique.

- Si le câble d'alimentation est endommagé, il doit être remplacé par le fabricant ou par un centre d'assistance agréé BLACK+DECKER afin d'éviter tout accident.

## Caractéristiques

Cet outil dispose de tout ou partie des éléments suivants.

1. Interrupteur Marche/Arrêt
2. Bouton de verrouillage
3. Orifice d'évacuation des copeaux
4. Sélecteur de sortie de copeaux
5. Bouton de réglage de la profondeur du rabotage
6. Échelle de graduation de la profondeur de rabotage

## Assemblage



**Avertissement !** Avant l'assemblage, assurez-vous que l'outil est éteint et débranché.

## Remplacer les lames (Fig. A)

Les lames fournies avec cet outil sont réversibles. Des lames de rechange sont disponibles auprès de votre revendeur local.

### Retirer la lame

- Dévissez les boulons (7) à l'aide de la clé fournie.
- Glissez la lame (8) hors du porte-lame.
- Retournez la lame pour la positionner du côté encore neuf. La lame doit être remplacée lorsque les deux côtés sont usés.

### Installer la lame

- Glissez la lame dans le porte-lame jusqu'en butée.
- Serrez les boulons à l'aide de la clé fournie.



**Avertissement !** Remplacez toujours les deux lames en même temps.

## Régler la profondeur de coupe (Fig. B)

La profondeur de coupe est indiquée par le repère (9). La plaque de réglage peut être lue sur l'échelle de graduation (6).

- Tournez le bouton de réglage de la profondeur du rabotage (5) à la bonne profondeur.
- Tournez le bouton jusqu'à la position "P" lorsque vous n'utilisez pas l'outil.

## Installer et retirer la garde parallèle (Fig. C)

La garde parallèle sert à améliorer la maîtrise de l'outil sur les pièces plus étroites.

- Vissez le bouton (11) dans le trou sur le côté du rabot and serrez-le parfaitement.

- Desserrez le bouton de réglage de la garde parallèle (10).
- Glissez la garde parallèle à la position voulue.
- Resserrez parfaitement le bouton de réglage de la garde parallèle.

**Remarque :** Correctement installée, la garde parallèle doit se trouver sous le rabot.

- Pour retirer la garde parallèle, procédez dans l'ordre inverse.

### Raccorder un aspirateur à l'outil (Fig. D)

Pour raccorder un aspirateur ou un récupérateur de poussière à l'outil, vous avez besoin d'un adaptateur. L'adaptateur peut être acheté chez votre revendeur Black & Decker local.

- Glissez l'adaptateur (12) sur la sortie d'extraction des copeaux (3).
- Raccordez le tuyau de l'aspirateur (13) à l'adaptateur.

### Installer le sac de récupération des copeaux (Fig. E)

Le sac de récupération des copeaux est très utile, notamment dans les espaces confinés.

- Glissez la plaque de raccordement (14) du bac d'un côté ou de l'autre de la sortie d'extraction des copeaux (3).
- Pour empêcher que les copeaux ne sortent de l'autre côté, déplacez le sélecteur de sortie des copeaux (4) du côté opposé au sac.

### Vider le sac de récupération des copeaux

Le sac de récupération des copeaux doit être vidé régulièrement pendant l'utilisation pour éviter les bourrages.

- Dézippez le sac et videz-le avant de continuer.

### Utilisation



**Avertissement !** Laissez l'outil fonctionner à son propre rythme. Ne le poussez pas au-delà de sa capacité.

- Ajustez la profondeur de coupe.
- Au besoin, installez et réglez la garde parallèle.

### Mise en marche et extinction

#### Mise en marche

- Maintenez le bouton de verrouillage (2) enfoncé et appuyez sur l'interrupteur Marche/Arrêt (1).
- Relâchez le bouton de verrouillage.

#### Extinction

- Relâchez l'interrupteur Marche/Arrêt.

#### Raboter

- Tenez l'outil en gardant le nez de la semelle sur la surface de l'ouvrage.
- Allumez l'outil.
- Déplacez l'outil vers l'avant de façon régulière sur toute la course utile.
- Éteignez l'outil après être arrivé au bout de la course utile.

#### Bouveter (Fig. F)

- Installez et réglez la garde parallèle.
- Procédez comme pour le rabotage.

### Chanfreinage (Fig. G)

La rainure en V sur le nez de la semelle vous permet de chanfreiner les arêtes à un angle de 45°, 30° et 15°.

- Tenez l'outil à un certain angle avec la rainure choisie (20) autour de l'arête de l'ouvrage et rabotez sur la course utile.

### Dispositif de pose (Fig. H)

Votre rabot est équipé d'un dispositif de pose (21) qui est automatiquement abaissé dès que l'outil est soulevé de la surface de l'ouvrage. Pendant le rabotage, le dispositif de pose se relève dès que l'outil est poussé en avant. Lorsque le pied de pose est abaissé, le rabot peut être posé sur la surface de l'ouvrage sans que la lame ne la touche.

### Conseils pour une utilisation optimale

- Déplacez l'outil en suivant le grain du bois.
- Si le grain est transversal ou irrégulier, ou si l'ouvrage est en bois dur, réglez la profondeur de coupe pour ne retirer qu'une fine couche à chaque passe et effectuez plusieurs passes pour atteindre le résultat voulu.
- Pour être sûr de garder l'outil droit/aligné, appuyez sur l'avant de l'outil au démarrage et sur l'arrière à la fin de la course utile.

### Accessoires

Les performances de votre outil dépendent de l'accessoire utilisé. Les accessoires Black & Decker et Piranha ont été développés en respectant des normes de qualité supérieure et ils sont conçus pour donner le meilleur résultat possible.

L'utilisation de ces accessoires vous permet de tirer pleinement profit de votre outil.

Des lames des types suivants sont disponibles auprès de votre revendeur local :

- Lames réversibles emboutées en carbure de tungstène (n° d'article X35007, fournies par 2)
- Lames réversibles HSS (n° d'article X24192-XJ11, fournies par 2)

### Maintenance

Votre outil BLACK+DECKER a été conçu pour fonctionner longtemps avec un minimum d'entretien. Le fonctionnement continu et satisfaisant de l'outil dépend de son bon entretien et de son nettoyage régulier.



**Avertissement !** Avant toutes opérations de maintenance, débranchez l'outil. Débranchez le chargeur avant de le nettoyer.

- Nettoyez régulièrement les orifices d'aération de votre outil à l'aide d'une brosse souple ou d'un chiffon sec.
  - Nettoyez régulièrement le bloc-moteur à l'aide d'un chiffon humide.
- N'utilisez pas de détergents abrasifs ou à base de solvants.

### Remplacement de la courroie d'entraînement (Fig. I)

- Dévissez les vis (15) et retirez le cache (16).
- Retirez la courroie d'entraînement usagée.

- Installez la courroie neuve (17) sur les poulies. Installez d'abord la courroie sur la grande poulie (18) puis sur la petite poulie (19) tout en tournant la courroie à la main de façon régulière.
- Réinstallez le cache et resserrez les vis.

**Vérifier et remplacer les balais du moteur (Fig. J)**

L'absence d'usure des balais doit être régulièrement contrôlée.

- Retirez le cache des balais (22). Les balais doivent glisser librement dans le boîtier. Si les balais sont usés jusqu'à 8 mm, ils doivent être remplacés.

Pour les remonter, enfoncez les balais neufs dans le boîtier. Si vous réinstallez les balais existants, conservez la même orientation qu'avant le démontage. Réinstallez le cache-balais (ne serrez pas trop).

**Protection de l'environnement**



Tri sélectif. Les produits et piles/batteries marqués de ce symbole ne doivent pas être jetés avec les déchets ménagers.

Les produits et batteries contiennent des matières qui peuvent être récupérées et recyclées afin de réduire la demande en matières premières.

Veillez à recycler les produits électriques et les batteries/piles conformément aux prescriptions locales en vigueur. Pour plus d'informations, consultez le site [www.2helpU.com](http://www.2helpU.com)

**Caractéristiques techniques**

		<b>KW750 (Type 5)</b>
Tension d'entrée	$V_{in}$	230
Puissance absorbée	A	750
Vitesse à vide	min <sup>-1</sup>	16 500
Largeur de rabotage	mm	82
Profondeur de rabotage	mm	2
Profondeur de bouvetage	mm	12
Poids	kg	2,9

<b>Valeurs totales des vibrations (somme vectorielle triaxiale) selon la norme EN62841 :</b>
Valeur des vibrations émises (a) 4,7 m/s <sup>2</sup>
incertitude (K) 1,5 m/s <sup>2</sup>

<b>Niveau de pression sonore selon la norme EN62841 :</b>
Pression sonore (L <sub>wa</sub> ) 86,0 dB(A), incertitude (K) 3 dB(A)
Puissance sonore (L <sub>wa</sub> ) 97,0 dB(A), incertitude (K) 3 dB(A)

**Déclaration de conformité CE**  
DIRECTIVES MACHINES



KW750 Rabot

Black & Decker déclare que les produits décrits dans les "Caractéristiques techniques" sont conformes aux normes : EN62841-1:2015 , EN62841-2-14:2015.

Ces produits sont également conformes aux Directives 2006/42/CE, 2014/30/UE et 2011/65/UE. Pour plus de détails, veuillez contacter Black & Decker à l'adresse suivante ou consulter la dernière page du manuel.

Le soussigné est responsable de la compilation du dossier technique et fait cette déclaration au nom de Black & Decker .

A. P. Smith  
 Directeur technique Ingénierie  
 Black & Decker Europe, 270 Bath Road, Slough,  
 Berkshire, SL1 4DX, Royaume Uni  
 30/04/2019

**Garantie**

Black & Decker est sûr de la qualité de ses produits et offre une garantie de 24 mois aux utilisateurs, à partir de la date d'achat. Cette garantie s'ajoute à vos droits légaux auxquels elle ne porte aucunement préjudice. Cette garantie est valable au sein des territoires des États membres de l'Union Européenne et au sein de la Zone européenne de libre-échange.

Pour prétendre à la garantie, la réclamation doit être en conforme aux conditions générales de Black & Decker et vous devez fournir une preuve d'achat au vendeur ou au réparateur agréé.

Les conditions générales de la garantie Black & Decker de 2 ans, ainsi que l'adresse du réparateur agréé le plus proche sont disponibles sur le site Internet [www.2helpU.com](http://www.2helpU.com) ou en contactant votre agence Black & Decker locale à l'adresse indiquée dans ce manuel.

Veillez consulter notre site Internet [www.blackanddecker.co.uk](http://www.blackanddecker.co.uk) pour enregistrer votre nouveau produit Black & Decker et pour être tenu informé des nouveaux produits et offres spéciales.

## Uso previsto

La piallatrice BLACK+DECKER KW750 è stata progettata per piallare legno, articoli di legno e plastica. Questo elettroutensile è stato progettato per essere usato tenendolo in mano. Questo attrezzo è destinato esclusivamente all'uso privato.

## Istruzioni di sicurezza

### Avvertenze di sicurezza generali per gli elettroutensili



**Avvertenza! Leggere attentamente tutte le avvertenze, istruzioni, illustrazioni e specifiche fornite con l'elettroutensile.** La mancata osservanza delle istruzioni seguenti può dar luogo a scosse elettriche, incendi e/o lesioni gravi.

**Conservare tutte le avvertenze e le istruzioni per riferimenti futuri.** Il termine "elettroutensile" utilizzato in tutte le avvertenze elencate di seguito fa riferimento sia agli utensili elettrici alimentati tramite una rete elettrica (con cavo) o agli utensili elettrici a batteria (senza cavo).

#### 1. Sicurezza dell'area di lavoro

- Tenere pulita e ben illuminata l'area di lavoro.** Gli ambienti disordinati o scarsamente illuminati favoriscono gli incidenti.
- Evitare di impiegare gli elettroutensili in ambienti esposti al rischio di esplosione, ad esempio in presenza di liquidi, gas o polveri infiammabili.** Gli elettroutensili creano scintille che possono incendiare le polveri o i fumi.
- Mantenere lontani bambini e osservatori mentre si usa l'elettroutensile.** Le distrazioni possono provocare la perdita di controllo.

#### 2. Sicurezza elettrica

- Le spine elettriche degli elettroutensili devono essere adatte alla presa. Non modificare la spina in alcun modo. Non utilizzare spine con adattatore con un elettroutensile dotato di messa a terra.** Per ridurre il rischio di scossa elettrica evitare di modificare le spine e utilizzare sempre le prese appropriate.
- Evitare il contatto fisico con superfici collegate a terra, come tubi, radiatori, forni e frigoriferi.** Se il proprio corpo è collegato a terra, il rischio di scossa elettrica aumenta.
- Custodire gli elettroutensili al riparo dalla pioggia o dall'umidità.** Se penetra dell'acqua all'interno dell'elettroutensile, il rischio di scossa elettrica aumenta.
- Non utilizzare il cavo di alimentazione in modo improprio. Non spostare, tirare o scollegare mai l'elettroutensile dalla presa usando il cavo di alimentazione. Tenere il cavo di alimentazione lontano da fonti di calore, olio, bordi taglienti o parti in movimento.** Se il cavo di alimentazione è danneggiato o impigliato, il rischio di scossa elettrica aumenta.

- Se l'elettroutensile viene adoperato all'aperto, usare esclusivamente prolunghe omologate per l'impiego in esterni.** L'uso di un cavo idoneo per esterni riduce il rischio di scossa elettrica.
- Se non è possibile evitare di lavorare in una zona umida, usare un'alimentazione elettrica protetta da un dispositivo a corrente residua (RCD).** L'uso di un interruttore differenziale salvavita riduce il rischio di scossa elettrica.

#### 3. Sicurezza personale

- È importante concentrarsi su ciò che si sta facendo e maneggiare con giudizio l'elettroutensile. Non utilizzare un elettroutensile quando si è stanchi o sotto l'effetto di droghe, alcool o medicinali.** Un solo attimo di distrazione durante l'uso di tali elettroutensili potrebbe provocare gravi lesioni personali.
- Usare le protezioni antinfortunistiche. Utilizzare sempre dispositivi di protezione per gli occhi.** L'uso di dispositivi di protezione, quali mascherine antipolvere, scarpe antinfortunistiche antiscivolo, elmetti o protezioni auricolari in condizioni opportune consente di ridurre le lesioni personali.
- Impedire l'avvio involontario. Assicurarsi che l'interruttore sia in posizione di spegnimento prima di collegare l'elettroutensile alla presa elettrica e/o inserire il pacco batteria e prima di afferrare o trasportare l'elettroutensile.** Il trasporto di elettroutensili tenendo il dito sull'interruttore o quando sono collegati alla rete elettrica con l'interruttore nella posizione di accensione provoca incidenti.
- Prima di accendere un elettroutensile, togliere eventuali chiavi o attrezzi di regolazione.** Un utensile di regolazione o una chiave fissati su una parte rotante dell'elettroutensile possono provocare lesioni personali.
- Non sporgersi troppo. Mantenere sempre un appoggio e un equilibrio adeguati.** Questo consente un migliore controllo dell'elettroutensile nelle situazioni impreviste.
- Vestirsi adeguatamente. Non indossare abiti larghi o gioielli. Tenere i capelli e gli indumenti lontano dalle parti mobili.** Abiti lenti, gioielli o capelli lunghi possono impigliarsi nelle parti in movimento.
- Se gli elettroutensili sono provvisti di attacchi per il collegamento di dispositivi di aspirazione o di raccolta della polvere, assicurarsi che questi siano installati e utilizzati correttamente.** La raccolta delle polveri può ridurre i pericoli legati a queste ultime.
- Non lasciare che la familiarità acquisita dall'uso frequente degli utensili induca a cedere alla tentazione di ignorare i principi di utilizzo sicuro degli stessi.** Un'azione imprudente potrebbe provocare lesioni gravi in una frazione di secondo.

#### 4. Uso e manutenzione dell'elettrotensile

- a. **Non sovraccaricare l'elettrotensile. Utilizzare un elettrotensile adatto al lavoro da eseguire.**  
L'elettrotensile lavora meglio e con maggior sicurezza se utilizzato secondo quanto è stato previsto.
- b. **Non utilizzare elettrotensili con interruttori per l'accensione/spegnimento difettosi.** Qualsiasi elettrotensile che non possa essere controllato tramite l'interruttore è pericoloso e deve essere riparato.
- c. **Staccare la spina dall'alimentazione elettrica e/o rimuovere il pacco batteria, se rimovibile, dall'apparato elettrico prima di effettuare qualsiasi tipo di regolazione, prima di cambiare gli accessori o di ripararlo.** Queste misure di sicurezza preventive riducono il rischio di azionare accidentalmente l'elettrotensile.
- d. **Quando non sono usati, gli elettrotensili devono essere custoditi fuori della portata dei bambini. Non consentire l'uso dell'elettrotensile a persone inesperte o che non abbiano letto le presenti istruzioni.** Gli elettrotensili sono pericolosi in mano a persone inesperte.
- e. **Eseguire la manutenzione degli elettrotensili e degli accessori. Verificare che le parti mobili siano correttamente allineate e non inceppate, che non vi siano componenti rotti e che non sussistano altre condizioni che possono compromettere il funzionamento dell'elettrotensile. Se l'elettrotensile è danneggiato, farlo riparare prima dell'uso.** Molti incidenti sono provocati da elettrotensili su cui non è stata effettuata la corretta manutenzione.
- f. **Mantenere affilati e puliti gli utensili da taglio.** La manutenzione corretta degli utensili da taglio con bordi affilati riduce le probabilità di inceppamento e ne facilita il controllo.
- g. **Utilizzare l'elettrotensile, gli accessori e le punte in conformità delle presenti istruzioni, tenendo conto delle condizioni di lavoro e del lavoro da completare.** L'utilizzo dell'elettrotensile per impieghi diversi da quelli previsti può provocare situazioni di pericolo.
- h. **Mantenere le impugnature e le superfici di presa asciutte, pulite e senza tracce di olio o grasso.** Impugnature e superfici di presa scivolose non consentono di maneggiare e controllare in modo sicuro l'elettrotensile nel caso di imprevisti.

#### 5. Assistenza

- a. **Fare riparare l'elettrotensile solo ed esclusivamente da personale specializzato e solo impiegando pezzi di ricambio originali.** In questo modo viene garantita la sicurezza dell'elettrotensile.

#### Avvertenze aggiuntive di sicurezza per gli elettrotensili

- **Attendere fino a quando la lama si è fermata prima di appoggiare l'elettrotensile.** Una lama scoperta potrebbe innestarsi nella superficie causando, in tutta probabilità, la perdita di controllo e lesioni gravi.
- **Afferrare l'elettrotensile per le apposite impugnature in materiale isolante, siccome la fresa potrebbe venire a contatto con il proprio cavo di alimentazione.** Il taglio di un filo sotto tensione mette sotto tensione le parti metalliche esposte dell'elettrotensile e potrebbe esporre l'operatore a scosse elettriche.
- **Usare morse o altri metodi pratici per fissare e bloccare il pezzo in lavorazione a una piattaforma stabile.** Un pezzo tenuto in mano o contro il corpo, può diventare poco stabile e causare la perdita di controllo.
- **Indossare una maschera anti-polvere.**
- **Mantenere ben affilata la lama.** Delle lame poco affilate o danneggiate possono causare la deviazione o lo spegnimento della piallatura sotto sforzo. Usare sempre il tipo di lama idoneo all'elettrotensile.
- Non toccare il pezzo o la lama subito dopo aver fatto funzionare l'elettrotensile, possono diventare molto caldi.
- Eliminare chiodi od oggetti metallici dal pezzo prima di iniziare la piallatura.
- Tenere sempre l'elettrotensile con entrambe le mani e mediante le impugnature presenti.
- Scollegare immediatamente il cavo dalla rete di alimentazione se danneggiato o tagliato.



**Avvertenza!** Il contatto o l'inalazione della polvere generata dalla piallatura potrebbe nuocere alla salute dell'operatore e di eventuali astanti. Indossare una mascherina antipolvere specifica per polveri e fumi e accertarsi che anche le persone presenti nell'area di lavoro o che vi entrano siano adeguatamente protette.

- Questo elettrotensile non è stato progettato per impiego da parte di persone (o bambini) portatrici di handicap fisici, psichici o sensoriali o che non abbiano la dovuta esperienza o conoscenza, a meno che non siano seguite o opportunamente istruite sul suo impiego da parte di una persona responsabile della loro sicurezza. Sorvegliare i bambini per assicurarsi che non giochino con l'elettrotensile.
- L'uso previsto è indicato nel presente manuale d'istruzioni. Se questo elettrotensile viene usato con accessori o per usi diversi da quelli raccomandati in questo manuale, si potrebbero verificare lesioni a persone e/o danni alle cose.

#### Sicurezza altrui

- Questo prodotto non è destinato per l'uso da parte di persone (compresi i bambini) con capacità fisiche, sensoriali o mentali ridotte, o prive di esperienza e conoscenza, a meno che siano sorvegliate o abbiano ottenuto istruzioni riguardo all'uso dell'elettrotensile da parte di una persona responsabile della loro sicurezza.



- Sorvegliare i bambini per assicurarsi che non giochino con l'elettrotensile.

### Rischi residui

L'utilizzo dell'elettrotensile può comportare rischi residui non necessariamente riportati in queste avvertenze di sicurezza. Tali rischi possono sorgere a seguito di un uso prolungato o improprio, ecc.

Malgrado il rispetto delle norme di sicurezza pertinenti e l'implementazione di dispositivi di sicurezza, alcuni rischi residui non possono essere evitati. Sono inclusi:

- lesioni causate o subite a seguito del contatto con parti rotanti/in movimento;
- lesioni causate o subite durante la sostituzione di parti, lame o accessori;
- lesioni personali causate dall'impiego prolungato di un elettrotensile (quando si utilizza qualsiasi utensile per lunghi periodi, accertarsi di fare regolarmente delle pause);
- menomazioni uditive;
- rischi per la salute causati dall'aspirazione di polvere generata durante l'uso dell'elettrotensile (ad esempio quando si lavora con il legno, in modo particolare quello di quercia, faggio o l'MDF).

### Vibrazione

I valori di emissione di vibrazione dichiarati, indicati al paragrafo Dati tecnici e nella dichiarazione di conformità, sono stati misurati in base al metodo di prova standard previsto dalla normativa EN62841 e possono essere usati come parametri di confronto tra due utensili. Il valore di emissione di vibrazione dichiarato può anche essere usato per una valutazione preliminare dell'esposizione.



**Avvertenza!** Il valore di emissione di vibrazione durante l'impiego effettivo dell'elettrotensile può variare da quello dichiarato a seconda delle modalità d'uso. Il livello di vibrazione può aumentare oltre quello dichiarato.

Quando si valuta l'esposizione alla vibrazione per determinare le misure di sicurezza richieste dalla norma 2002/44/CE destinata alla protezione delle persone che utilizzano regolarmente elettrotensili per lo svolgimento delle proprie mansioni, è necessario prendere in considerazione le condizioni effettive di impiego e il modo in cui l'elettrotensile viene usato, oltre che tenere conto di tutte le componenti del ciclo operativo, vale a dire i periodi in cui l'elettrotensile rimane spento, quelli in cui è acceso ma fermo e quelli in cui viene effettivamente utilizzato.

### Etichette sull'elettrotensile

Sull'elettrotensile sono presenti i seguenti simboli assieme al codice data:



**Avvertenza!** Per ridurre il rischio di lesioni personali, l'utente deve leggere attentamente il manuale di istruzioni.

### Sicurezza elettrica



Il doppio isolamento di cui è provvisto l'elettrotensile rende superfluo il filo di terra. Verificare sempre che l'alimentazione corrisponda alla tensione riportata sulla targhetta dei valori nominali.

- In caso di danneggiamento del filo di alimentazione, è necessario farlo riparare dal fabbricante o presso un centro assistenza BLACK+DECKER autorizzato in modo da evitare eventuali pericoli.

### Caratteristiche

Questo apparecchio presenta alcune o tutte le seguenti caratteristiche.

1. Interruttore di accensione/spengimento
2. Pulsante di blocco di sicurezza
3. Apertura di scarico dei trucioli
4. Selettore uscita scarico trucioli
5. Pomello di regolazione profondità di piallatura
6. Scala graduata per la profondità di piallatura

### Assemblaggio



**Avvertenza!** Prima di assemblare l'elettrotensile, assicurarsi che sia spento e scollegato dalla presa di corrente.

### Sostituzione delle lame di taglio (Fig. A)

Le lame da taglio fornite con questo elettrotensile sono reversibili. Le lame da taglio di ricambio possono essere acquistate presso il rivenditore di zona.

### Smontaggio

- Rimuovere i bulloni (7) usando la chiave in dotazione.
- Sfilare la lama (8) dal porta lama.
- Invertire la lama in modo che il lato vergine sia ora in vista. Se entrambi i lati sono usurati, sostituire la lama.

### Installazione

- Infilare la lama nel porta lama fino a quando si trova contro l'arresto terminale.
- Serrare i bulloni con la chiave fornita.



**Avvertenza!** Sostituire sempre entrambe le lame.

### Regolazione della profondità di taglio (Fig. B)

La profondità di taglio è indicata dal contrassegno (9). La gamma di regolazione può essere letta sulla graduazione presente (6).

- Ruotare il pomello di regolazione della profondità di piallatura (5) per ottenere la profondità di taglio richiesta.
- Ruotare il pomello sulla posizione "P" quando l'elettrotensile non è utilizzato.

### Montaggio e smontaggio della guida pezzo parallela (Fig. C)

La guida pezzo parallela è usata per controllare nel modo migliore i pezzi stretti.

- Avvitare il pomello (11) nel foro sul lato della piallatrice e serrarlo saldamente.

- Allentare il pomello di regolazione della guida pezzo parallela (10).
- Far scorrere la guida pezzo parallela nella posizione richiesta.
- Serrare saldamente il pomello di regolazione della guida pezzo parallela.

**Nota:** la guida pezzo parallela dovrebbe trovarsi sotto la piallatrice se è stata montata correttamente.

- Per staccare la guida pezzo parallela eseguire in ordine inverso la procedura.

### Collegamento di un aspirapolvere all'elettrotensile (Fig. D)

Per collegare un aspirapolvere di qualsiasi tipo all'elettrotensile, è necessario usare un adattatore di estrazione della polvere, che può essere acquistato presso il rivenditore Black & Decker di zona.

- Infilare l'adattatore (12) sull'apertura dell'uscita di scarico dei trucioli (3).
- Collegare il tubo dell'aspirapolvere (13) all'adattatore.

### Montaggio del sacco di raccolta dei trucioli (Fig. E)

Il sacco di raccolta dei trucioli è particolarmente utile quando si lavora in spazi ristretti.

- Infilare la piastra di collegamento (14) del sacco su uno dei lati dell'uscita di scarico dei trucioli (3).
- Per evitare la fuoriuscita dei trucioli dal lato opposto a quello prescelto, spostare il selettore dell'uscita di scarico dei trucioli (4) sul lato opposto a quello in cui si trova il sacco.

### Svuotamento del sacco di raccolta dei trucioli

Il sacco di raccolta dei trucioli deve essere svuotato regolarmente durante l'impiego per evitare intasamenti.

- Sganciare il sacchetto e svuotarlo prima di continuare.

### Uso



**Avvertenza!** Lasciare che l'elettrotensile funzioni al proprio ritmo. Non sovraccaricarlo.

- Regolare la profondità di taglio.
- Se necessario, applicare e regolare la guida parallela.

### Accensione e spegnimento

#### Accensione

- Tenere premuto il pulsante di sblocco (2) e premere l'interruttore di accensione/spegnimento (1).
- Rilasciare il pulsante di blocco di sicurezza.

#### Spegnimento

- Rilasciare l'interruttore di accensione.

#### Piallatura

- Afferrare l'elettrotensile in modo che la punta del piedino scorrimento lama poggi contro la superficie del pezzo.
- Accendere l'apparato.
- Spostare progressivamente in avanti l'elettrotensile per eseguire la corsa di taglio.
- Spegnerlo l'elettrotensile al completamento della corsa.

#### Piallatura di un incavo (Fig. F)

- Applicare e regolare la guida parallela.
- Procedere come per la piallatura.

#### Smussatura dei bordi (Fig. G)

La scanalatura a V nella punta del piedino scorrimento lama consente di smussare bordi con un angolo di 45°, 30° e 15°.

- Tenere l'elettrotensile in posizione angolare rispetto alla scanalatura desiderata (20) attorno al bordo del pezzo ed eseguire la corsa di taglio.

#### Supporto di stazionamento (Fig. H)

La piallatrice è dotata di supporto di stazionamento (21) che si abbassa automaticamente quando l'elettrotensile viene sollevato dalla superficie di lavoro. Durante la piallatura, il piedino di stazionamento si solleva quando l'elettrotensile viene spinto in avanti. Quando il piedino di stazionamento è abbassato, la piallatrice può essere appoggiata sulla superficie di lavoro senza che la lama faccia contatto.

#### Consigli per un utilizzo ottimale

- Spostare l'elettrotensile lungo la venatura del legno.
- Se la venatura del legno è trasversale o ondulata, oppure se il pezzo è di legno duro, regolare la profondità di taglio in modo da asportare solo uno strato sottile ad ogni passata ed eseguire varie passate per ottenere il risultato desiderato.
- Per mantenere l'elettrotensile in linea retta, premere la parte anteriore dell'elettrotensile all'inizio e quindi quella posteriore alla fine della corsa di taglio.

#### Accessori

Le prestazioni dell'elettrotensile dipendono dall'accessorio usato. Gli accessori Black & Decker e Piranha sono stati fabbricati in base a standard qualitativi elevati e sono stati progettati per ottenere le migliori prestazioni dall'elettrotensile. Utilizzando questi accessori si otterrà il meglio dall'elettrotensile.

Presso il rivenditore di zona è possibile acquistare i seguenti tipi di lame da taglio:

- Lame da taglio reversibili in carburo di tungsteno (parte n. X35007, fornite in coppia)
- Lame da taglio reversibili in acciaio ad alta velocità (parte n. X24192-XJ11, fornite in coppia)

#### Manutenzione

Questo elettrotensile BLACK+DECKER è stato progettato per funzionare a lungo con una manutenzione minima. Prestazioni sempre soddisfacenti dipendono da una cura appropriata e da una pulizia regolare.



**Avvertenza!** Prima di eseguire interventi di manutenzione sull'elettrotensile, scollegarlo. Scollegare il caricabatterie dalla presa di corrente prima di pulirlo.



- Le prese di ventilazione dell'elettrotensile devono essere pulite regolarmente con un pennello morbido o un panno asciutto.
- Il vano del motore deve essere pulito regolarmente con un panno umido.  
Non usare sostanze abrasive o detergenti a base di solventi.

### Sostituzione della cinghia di trasmissione (Fig. I)

- Allentare le viti (15) e staccare il coperchio (16).
- Togliere la vecchia cinghia di trasmissione.
- Posizionare la nuova cinghia (17) sopra le pulegge. Posizionare per prima la cinghia sopra la puleggia grande (18) e quindi sopra quella piccola (19), mentre si ruota in modo graduale la cinghia.
- Rimontare in sede il coperchio e serrare le viti.

### Ispezione e sostituzione delle spazzole del motore (Fig. J)

Ispezionare regolarmente le spazzole per controllare che non siano usurate.

- Staccare il coperchio delle spazzole (22). Le spazzole devono scorrere liberamente nella relativa scatola. Sostituire le spazzole quando restano solo 8 mm (0.3").

Per rimontarle, premere la nuova spazzola nella relativa scatola. Se si sostituisce una spazzola esistente, mantenere l'orientamento originale che aveva al momento del distacco. Sostituire il coperchio delle spazzole (senza serrarlo eccessivamente).

### Tutela ambientale



Raccolta differenziata. I prodotti e le batterie contrassegnati con questo simbolo non devono essere smaltiti con i rifiuti domestici normali.

I prodotti e le batterie contengono materiali che possono essere recuperati o riciclati, riducendo la richiesta di materie prime.

Riciclare i prodotti elettrici e le batterie attenendosi alle disposizioni locali vigenti. Ulteriori informazioni sono disponibili all'indirizzo [www.2helpU.com](http://www.2helpU.com).

### Dati tecnici

		KW750 (Tipo 5)
Tensione in ingresso	V <sub>ca</sub>	230
Potenza assorbita	A	750
Velocità a vuoto	min <sup>-1</sup>	16.500
Larghezza di piallatura	mm	82
Profondità di piallatura	mm	2
Profondità di un incavo	mm	12
Peso	kg	2,9

Valori totali di emissione di vibrazione (somma vettoriale triassiale) in conformità alla norma EN62841:

Valore emissioni vibrazioni (a) 4,7 m/s<sup>2</sup>

incertezza (K) 1,5 m/s<sup>2</sup>

Livello di pressione sonora misurato in conformità alla norma EN62841:

Pressione sonora (L<sub>wa</sub>) 86,0 dB(A), incertezza (K) 3 dB(A)

Potenza sonora (L<sub>wa</sub>) 97,0 dB(A), incertezza (K) 3 dB(A)

**Dichiarazione di conformità CE**  
DIRETTIVA MACCHINE

KW750 Piallatrice

Black & Decker dichiara che i prodotti descritti al paragrafo "Dati tecnici" sono conformi alle seguenti normative:  
EN62841-1:2015 , EN62841-2-14:2015.

Questi prodotti sono conformi alle Direttive 2006/42/CE, 2014/30/UE e 2011/65/UE. Per ulteriori informazioni contattare Black & Decker al seguente indirizzo oppure consultare l'ultima di copertina del manuale.

Il firmatario è responsabile della compilazione del documento tecnico e rende questa dichiarazione per conto di Black & Decker .

A. P. Smith  
Direttore tecnico  
Black & Decker Europe, 270 Bath Road, Slough,  
Berkshire, SL1 4DX, Regno Unito  
30/04/2019

**Garanzia**

Black & Decker è certa della qualità dei propri prodotti e offre ai consumatori una garanzia di 24 mesi dalla data di acquisto. Il presente certificato di garanzia è complementare ai diritti legali e non li pregiudica in alcun modo. La garanzia è valida nei territori degli Stati membri dell'Unione Europea o dell'EFTA (Associazione europea di libero scambio).

Per attivare la garanzia, la richiesta di intervento e riparazione in garanzia deve essere effettuata in accordo con i Termini e condizioni Black & Decker e sarà necessario presentare la prova di acquisto al venditore o all'agente di riparazione autorizzato.

I Termini e condizioni della garanzia Black & Decker di 2 anni e la sede dell'agente di riparazione autorizzato più vicino sono consultabili su Internet all'indirizzo [www.2helpU.com](http://www.2helpU.com) oppure è possibile contattare l'ufficio Black & Decker di zona all'indirizzo indicato in questo manuale.

Visitare il nostro sito web [www.blackanddecker.co.uk](http://www.blackanddecker.co.uk) per registrare il prodotto Black & Decker appena acquistato e ricevere gli aggiornamenti su nuovi prodotti e offerte speciali.

## Bedoeld gebruik

Deze BLACK+DECKER KW750-schaafmachine is ontworpen voor het schaven van hout, houtproducten en kunststoffen. Het gereedschap is bedoeld voor gebruik met de hand. Dit gereedschap is uitsluitend bestemd voor consumentengebruik.

## Veiligheidsinstructies

### Algemene veiligheidswaarschuwingen voor elektrisch gereedschap



**Waarschuwing!** Lees alle veiligheidswaarschuwingen, instructies, illustraties en specificaties die bij dit gereedschap zijn meegeleverd. Het niet opvolgen van alle onderstaande instructies kan leiden tot een elektrische schok, brand en/of ernstig persoonlijk letsel.

**Bewaar alle waarschuwingen en instructies als referentiemateriaal.** De hierna gebruikte term 'elektrisch gereedschap' in alle waarschuwingen die hieronder worden vermeld, heeft betrekking op elektrisch gereedschap voor gebruik op netspanning (met netsnoer) of met een accu (snoerloos).

#### 1. Veilige werkomgeving

- a. **Houd het werkgebied schoon en goed verlicht.** Op rommelige of donkere plekken zullen sneller ongelukken gebeuren.
- b. **Gebruik elektrisch gereedschap niet in een omgeving met explosiegevaar, zoals in de nabijheid van brandbare vloeistoffen, gassen of stof.** Elektrisch gereedschap veroorzaakt vonken die het stof of de dampen kunnen doen ontbranden.
- c. **Houd kinderen en andere personen tijdens het gebruik van elektrisch gereedschap uit de buurt.** Als u wordt afgeleid, kunt u de controle over het gereedschap verliezen.

#### 2. Elektrische veiligheid

- a. **De netstekker van het gereedschap moet in het stopcontact passen. Pas de stekker nooit op enige manier aan. Gebruik geen adapterstekkers in combinatie met geaard elektrisch gereedschap.** Niet-aangepaste stekkers en passende contactdozen verminderen het risico van een elektrische schok.
- b. **Vermijd aanraking van het lichaam met geaarde oppervlakken, bijvoorbeeld buizen, verwarmingen, fornuizen en koelkasten.** Er bestaat een verhoogd risico van een elektrische schok als uw lichaam contact heeft met aarde.
- c. **Houd het gereedschap uit de buurt van regen en vocht.** Als er water in elektrisch gereedschap binnendringt, verhoogt dit het risico van een elektrische schok.
- d. **Gebruik het snoer niet voor een verkeerd doel. Gebruik het snoer nooit om het elektrisch gereedschap te dragen of naar u toe te trekken, of**

- de stekker uit het stopcontact te halen. Houd het snoer uit de buurt van warmtebronnen, olie, scherpe randen, of bewegende onderdelen.** Beschadigde snoeren of snoeren die in de war zijn geraakt, verhogen het risico van een elektrische schok.
- e. **Wanneer u buitenshuis met elektrisch gereedschap werkt, dient u alleen verlengsnoeren te gebruiken die zijn goedgekeurd voor gebruik buitenshuis.** Het gebruik van een verlengsnoer dat geschikt is voor buiten vermindert het risico van een elektrische schok.
  - f. **Gebruik, als u elektrisch gereedschap moet gebruiken op een vochtige locatie, een voeding die is beveiligd met een aardlekschakelaar.** Het gebruik van een aardlekschakelaar vermindert het risico van een elektrische schok.

#### 3. Persoonlijke veiligheid

- a. **Blijf alert, let goed op wat u doet en ga met verstand te werk bij het gebruik van elektrisch gereedschap. Gebruik elektrisch gereedschap niet als u vermoeid bent of als u onder invloed van drugs, alcohol of medicatie bent.** Een moment van onoplettendheid tijdens het werken met elektrisch gereedschap kan leiden tot ernstig persoonlijk letsel.
- b. **Draag persoonlijke beschermende kleding. Draag altijd oogbescherming.** Beschermende uitrusting, zoals een stofmasker, anti-slip veiligheidsschoenen, een helm, of gehoorbescherming, gebruikt in de juiste omstandigheden, zal het risico op persoonlijk letsel verminderen.
- c. **Vorkom dat het gereedschap onbedoeld kan worden ingeschakeld. Controleer dat de schakelaar in de uit-stand staat voordat u het gereedschap aansluit op het stopcontact en/of de accu plaatst en voordat u het gereedschap optilt of gaat dragen.** Het dragen van elektrisch gereedschap met uw vinger op de schakelaar of het aanzetten van elektrisch gereedschap waarvan de schakelaar aan staat, kan leiden tot ongelukken.
- d. **Verwijder alle stelsleutels of steeksleutels voor u het elektrische gereedschap aan zet.** Een steeksleutel of een inbussleutel in een draaiend deel van het elektrisch gereedschap kan tot persoonlijk letsel leiden.
- e. **Reik niet buiten uw macht. Blijf altijd stevig en in balans op de grond staan.** Dit geeft u betere controle over het elektrisch gereedschap in onverwachte situaties.
- f. **Draag de juiste kleding. Draag geen loszittende kleding of sieraden. Houd uw haar en kleding weg bij bewegende onderdelen.** Loszittende kleding, sieraden of lang haar kunnen door bewegende delen worden gegrepen.
- g. **Controleer dat, wanneer hulpstukken voor stofafzuiging en stofopvang kunnen worden gemonteerd, deze goed zijn aangesloten en op**

juiste wijze worden gebruikt. Het gebruik van stofafzuiging kan aan stof gerelateerde gevaren verminderen.

- h. Word niet gemakzuchtig doordat u door veelvuldig gebruik vertrouwd bent geraakt met het gereedschap, en verlies niet de veiligheidsbeginselen voor het gereedschap uit het oog.** Een onvoorzichtige handeling kan in een fractie van een seconde ernstig letsel tot gevolg hebben.

**4. Gebruik en onderhoud van elektrisch gereedschap**

- a. Oefen niet te veel kracht uit op het elektrisch gereedschap. Gebruik het juiste elektrisch gereedschap voor uw toepassing.** Met het juiste elektrisch gereedschap kunt u de werkzaamheden waarvoor het gereedschap is ontworpen, beter en veiliger uitvoeren.
- b. Gebruik geen elektrisch gereedschap waarvan de schakelaar defect is.** Ieder elektrisch gereedschap dat niet met de schakelaar kan worden bediend, is gevaarlijk en moet worden gerepareerd.
- c. Haal de stekker uit het stopcontact en/of neem de accu uit het gereedschap voordat u aanpassingen uitvoert, accessoires verwisselt, of het elektrische gereedschap opbergt.** Dergelijke preventieve veiligheidsmaatregelen verminderen het risico dat het elektrisch gereedschap per ongeluk wordt gestart.
- d. Bewaar niet-gebruikte elektrische gereedschappen buiten bereik van kinderen. Laat het gereedschap niet gebruiken door personen die er niet vertrouwd mee zijn en deze aanwijzingen niet hebben gelezen.** Elektrisch gereedschap is gevaarlijk in handen van ongetrainde gebruikers.
- e. Onderhoud elektrisch gereedschap en accessoires goed. Controleer dat bewegende delen van het elektrisch gereedschap wel goed functioneren en niet klemmen, en dat er niet onderdelen zodanig zijn gebroken of beschadigd dat de werking van het gereedschap nadelig wordt beïnvloed. Laat het gereedschap voor gebruik repareren als het beschadigd is.** Veel ongelukken worden veroorzaakt door slecht onderhouden elektrisch gereedschap.
- f. Houd gereedschap voor maaien en zagen scherp en schoon.** Goed onderhouden zaaggereedschap met scherpe snijvlakken loopt minder snel vast en is gemakkelijker onder controle te houden.
- g. Gebruik elektrisch gereedschap, accessoires, hulpstukken en dergelijke volgens deze aanwijzingen. Let daarbij op de arbeidsomstandigheden en de uit te voeren werkzaamheden.** Gebruik van het elektrisch gereedschap voor werkzaamheden die anders zijn dan bedoeld, kan leiden tot een gevaarlijke situatie.

- h. Houd de handgrepen droog, schoon en vrij van olie en vet.** Gladde handgrepen en greepoppervlakken maken het moeilijk het gereedschap veilig te hanteren en onder controle te houden in onverwachte situaties.

**5. Service**

- a. Laat het gereedschap alleen repareren door gekwalificeerd en vakkundig personeel en alleen met originele vervangingsonderdelen.** De veiligheid van het gereedschap blijft dan behouden.

**Aanvullende veiligheidswaarschuwingen voor elektrisch gereedschap**

- **Zet het gereedschap pas neer wanneer het schaaftmes tot stilstand is gekomen.** Het niet-afgeschermde schaaftmes kan contact maken met oppervlak en dit kan leiden tot verlies van controle en ernstig letsel.
  - **Houd het gereedschap vast bij het geïsoleerde greepoppervlak, omdat de frees met het eigen snoer in aanraking kan komen.** Als een draad onder spanning wordt geraakt, komen onbedekte metalen onderdelen van het gereedschap onder spanning te staan en kunt u een elektrische schok krijgen.
  - **Zet het werkstuk met klemmen of op een andere praktische manier vast en ondersteun het op een stabiele ondergrond.** Als u het werkstuk met de hand of tegen uw lichaam vasthoudt, is het niet stabiel en kunt u de controle over het gereedschap verliezen.
  - **Draag een stofmasker.**
  - **Zorg ervoor dat het schaaftmes scherp is.** Door botte of beschadigde schaaftmessen kan de schaaftmachine onder druk afwijken of vastlopen. Gebruik altijd het juiste type mes voor het elektrisch gereedschap.
  - **Raak het werkstuk of het schaaftmes niet aan meteen na gebruik van het gereedschap.** Zij kunnen zeer heet worden.
  - **Verwijder alle spijkers en metalen objecten uit het te bewerken object voordat u gaat schaven.**
  - **Houd het apparaat altijd met beide handen aan de daartoe bestemde hendels vast.**
  - **Koppel het netsnoer onmiddellijk los van de netspanning als het netsnoer beschadigd raakt.**
-  **Waarschuwing!** Contact met of inademing van het stof dat bij het schaven vrijkomt, kan de gezondheid van de gebruiker en omstanders schaden. Draag een stofmasker dat speciaal is ontworpen ter bescherming tegen stof en dampen, en zorg ervoor dat andere personen op de werkplek ook zijn beschermd.
- Dit gereedschap mag niet worden gebruikt door personen (waaronder kinderen) die lichamelijk of geestelijk mindervalide zijn of die geen ervaring met of kennis van dit gereedschap hebben, tenzij ze onder toezicht staan of instructies krijgen over het gebruik van het gereedschap van een persoon die verantwoordelijk is voor hun veiligheid. Er moet op worden toegezien dat kinderen niet met het apparaat spelen.

- Het bedoeld gebruik wordt beschreven in deze gebruiksaanwijzing. Het gebruik van andere accessoires of hulpstukken dan wel de uitvoering van andere handelingen met dit gereedschap dan in deze gebruikershandleiding worden aanbevolen, kan tot persoonlijk letsel en/of materiële schade leiden.

### Veiligheid van anderen

- Het is niet de bedoeling dat dit apparaat wordt gebruikt door personen (waaronder kinderen) met verminderde fysieke, zintuiglijke of psychische vermogens, of met een gebrek aan ervaring en kennis, tenzij onder toezicht van of met aanwijzingen over het gebruik van het apparaat door een persoon die verantwoordelijk is voor hun veiligheid.
- Er moet op worden toegezien dat kinderen niet met het apparaat spelen.

### Overige risico's

Er kunnen zich bij het gebruik van dit gereedschap nog meer risico's voordoen, die mogelijk niet in de bijgesloten veiligheidswaarschuwingen worden beschreven. Deze risico's kunnen zich voordoen door onoordeelkundig gebruik, langdurig gebruik, enz.

Zelfs wanneer de veiligheidsvoorschriften in acht worden genomen en de veiligheidsvoorzieningen worden gebruikt, kunnen bepaalde risico's niet worden uitgesloten. Dit zijn onder meer:

- Verwondingen die worden veroorzaakt door het aanraken van draaiende of bewegende onderdelen.
- Verwondingen die worden veroorzaakt bij het vervangen van onderdelen, bladen of accessoires.
- Letsel dat wordt veroorzaakt door langdurig gebruik van gereedschap. Wanneer u langere periodes met gereedschap werkt, kunt u het beste regelmatig een pauze nemen.
- Gehoorbeschadiging.
- Gezondheidsrisico's als gevolg van het inademen van stof dat vrijkomt tijdens het gebruik van het gereedschap (bijvoorbeeld tijdens het werken met hout, met name eiken, beuken en MDF).

### Trillingen

De aangegeven waarden voor trillingsemisatie in de technische gegevens en de Conformiteitsverklaring, zijn gemeten volgens een standaardtestmethode die door EN62841 wordt verstrekt. Hiermee kan het ene gereedschap met het andere worden vergeleken. De aangegeven waarde voor trillingsemisatie kan ook worden gebruikt bij een voorlopige bepaling van blootstelling.



**Waarschuwing!** De waarde voor trillingsemisatie tijdens het werkelijke gebruik van het elektrisch gereedschap kan verschillen van de aangegeven waarde afhankelijk van de manieren waarop het gereedschap wordt gebruikt. Het trillingsniveau kan toenemen tot boven het aangegeven niveau.

Bij beoordeling van de blootstelling aan trillingen met het doel vast te stellen welke veiligheidsmaatregelen 2002/44/EG vereist ter bescherming van personen die tijdens hun werk regelmatig elektrisch gereedschap gebruiken, moet bij een

inschatting van de blootstelling aan trillingen rekening worden gehouden met de werkelijke gebruiksomstandigheden en de manier waarop het gereedschap wordt gebruikt. Daarbij moet ook rekening worden gehouden met alle onderdelen van de bedrijfsacyclus, zoals wanneer het gereedschap wordt uitgeschakeld en wanneer het gereedschap stationair loopt en ook de aanlooptijd.

### Etiketten op het gereedschap

Behalve van de datumcode is het gereedschap voorzien van de volgende symbolen:



**Waarschuwing!** De gebruiker moet de instructiehandleiding lezen zodat het risico van letsel wordt beperkt.

### Elektrische veiligheid



Dit gereedschap is dubbel geïsoleerd, daarom is een aardeaansluiting niet vereist. Controleer altijd dat de stroomvoorziening overeenkomt met de voltage op het typeplaatje.

- Als het netsnoer is beschadigd, moet dit worden vervangen door de fabrikant of een geautoriseerd BLACK+DECKER-servicecentrum, zodat gevaarlijke situaties worden voorkomen.

### Functies

Dit gereedschap is voorzien van enkele of alle van de volgende functies.

1. Aan/Uit-schakelaar
2. Knop voor vergrendeling in de uit-stand
3. Afvoeropening houtsnippers
4. Selectieknop voor afvoeropening houtsnippers
5. Instelknop voor schaafdiepte
6. Sponningdiepte-gradatieafstelling

### Montage



**Waarschuwing!** Controleer voor de montage dat het gereedschap is uitgeschakeld en de stekker niet in het stopcontact zit.

### De messen vervangen (afb. A)

De schaafmessen die worden geleverd bij dit gereedschap zijn omkeerbaar en aan beide kanten te gebruiken. U kunt vervangende messen aanschaffen bij uw lokale detailhandel.

### Verwijderen

- Draai de bouten (7) los met de meegeleverde steeksleutel.
- Schuif het mes (8) uit de houder.
- Draai het mes om zodat de ongebruikte kant in de juiste positie komt. Als beide kanten van het mes versleten zijn, moet het mes worden vervangen.

### Monteren

- Schuif het mes in de houder tot het tegen de eindstop rust.
- Draai de bouten vast met de meegeleverde steeksleutel.



**Waarschuwing!** Vervang altijd beide messen.

### De schaafdiepte instellen (afb. B)

De schaafdiepte wordt aangegeven door de markering (9). U kunt het instelbereik aflezen van de schaalverdeling (6).

- U kunt de gewenste diepte instellen door te draaien aan de instelknop (5) voor de schaafdiepte.
- Draai de knop naar positie 'P' wanneer u het gereedschap niet gebruikt.

### De parallelle geleider bevestigen en verwijderen (afb. C)

De parallelle geleider is een hulpstuk voor optimale controle bij smalle werkstukken.

- Draai de knop (11) in het daarvoor bestemde schroefgat aan de zijkant van de schaafmachine en draai de knop goed vast.
- Draai de stelknop voor de parallelle geleider (10) los.
- Schuif de langsgeleider in de gewenste stand.
- Draai de stelknop voor de parallelle geleider goed vast.

**Opmerking:** Wanneer de parallelle geleider op de juiste manier is geïnstalleerd, bevindt deze zich lager dan de schaafmachine.

- Wilt u de parallelle geleider verwijderen, volg dan bovenstaande stappen in omgekeerde volgorde.

### Een stofzuiger op het gereedschap aansluiten (afb. D)

Als u een stofzuiger wilt aansluiten op het gereedschap, hebt u een adapter nodig. U kunt de stofzuigeradapter aanschaffen bij een Black & Decker-leverancier ter plaatse.

- Schuif de adapter (12) over de afvoeropening (3) voor houtsnippers.
- Sluit de slang (13) van de stofzuiger op de adapter aan.

### Opvangzak voor houtsnippers plaatsen (afb. E)

De zak voor het opvangen van houtsnippers is vooral handig wanneer u werkt in kleinere ruimtes.

- Schuif de verbindingsplaat (14) van de zak over beide zijden van de afvoeropening (3) voor de houtsnippers.
- Voorkom dat houtsnippers naar buiten komen aan de tegenovergestelde zijde van de afvoeropening, verplaats de selectieknop (4) van de afvoeropening naar de tegenoverliggende zijde van de zak.

### De opvangzak voor houtsnippers leegmaken

Maak de opvangzak voor houtsnippers bij gebruik regelmatig leeg, zodat verstopping wordt voorkomen.

- Rits de zak los, maak de zak leeg en ga daarna pas weer verder met uw werk.

### Gebruik van het apparaat



**Waarschuwing!** Laat het gereedschap op z'n eigen snelheid werken. Overbelast het gereedschap niet.

- Stel de freesdiepte af.
- Monteer, als dat nodig is, de parallelle langsgeleiding en stel deze af.

### In- en uitschakelen

#### Inschakelen

- Houd de knop voor de vergrendeling in de uit-stand (2) ingedrukt en druk op de aan/uit-schakelaar (1).
- Laat de knop voor vergrendeling in uit-stand los.

#### Uitschakelen

- Laat de aan/uit-schakelaar los.

### Schaven

- Houd het gereedschap zo vast dat de neusstuk van de zool rust op het te bewerken oppervlak.
- Schakel het gereedschap in.
- Beweeg het gereedschap langzaam naar voren en voer een schaaftbewerking uit.
- Schakel het gereedschap uit wanneer de schaaftbewerking is voltooid.

### Sponningen (afb. F)

- Monteer de parallelle langsgeleiding en stel deze af.
- Ga verder als bij het schaven.

### Randen afschuiven (afb. G)

Met behulp van de V-groef in het neusstuk van de zool kunt u randen afschuiven met een hoek van 45°, 30° en 15°.

- Houd het gereedschap in de juiste hoek met de gewenste groef (20) rond de rand van het werkstuk en voer de schaaftbewerking uit.

### Parkeersteun (afb. H)

Deze schaafmachine is voorzien van een parkeersteun (21) die automatisch op z'n plaats schuift wanneer u het gereedschap van het werkoppervlak neemt. Tijdens het schaven schuift de steun omhoog wanneer u het gereedschap naar voren duwt. Wanneer de steun naar beneden is, kunt u de schaafmachine op het werkoppervlak plaatsen zonder dat het mes het oppervlak raakt.

### Tips voor optimaal gebruik

- Schaaft in de richting van de nerf.
- Als de nerf overdwars of golvend is, of als u een harde houtsoort bewerkt, kunt u de schaafdiepte zo instellen dat per keer slechts een minimale laag wordt afgeschaafd en u moet dan meerdere keren schaven om het gewenste resultaat te bereiken.
- U kunt het gereedschap in een rechte lijn houden door eerst de voorzijde van de schaafmachine omlaag te drukken en op het laatst de achterzijde omlaag te drukken.

### Accessoires

De prestaties van het gereedschap zijn afhankelijk van de gebruikte accessoires. Accessoires van Black & Decker en Piranha zijn ontworpen om aan hoge kwaliteitsnormen te voldoen en de prestaties van uw gereedschap te verhogen. Met deze accessoires kunt u optimale prestaties bereiken met het gereedschap.

U kunt de volgende typen messen aanschaffen bij uw lokale detailhandel:

- Omkeerbare tungsten messen met hardmetalen snijvlak (ond.nr. X35007, per twee geleverd)
- Omkeerbare stalen high-speed messen (ond.nr. X24192-XJ11, per twee geleverd)

## Onderhoud

Dit BLACK+DECKER-gereedschap is ontworpen om gedurende langere periode te functioneren met een minimum aan onderhoud. Het continu naar tevredenheid functioneren hangt af van de juiste zorg voor het gereedschap en regelmatig reiniging.



**Waarschuwing!** Trek, voordat u onderhouds- of reinigingswerkzaamheden aan het gereedschap uitvoert, de stekker van het gereedschap uit het stopcontact. Neem de lader uit het stopcontact voor u deze schoonmaakt.

- Reinig regelmatig de ventilatieopeningen van het gereedschap met een zachte borstel of droge doek.
- Reinig de behuizing van de motor regelmatig met een vochtige doek.  
Gebruik niet een schurend schoonmaakmiddel of een schoonmaakmiddel op basis van een oplosmiddel.

## De aandrijfriem vervangen (Fig. I)

- Draai de schroeven (15) los en verwijder het deksel (16).
- Verwijder de oude aandrijfriem.
- Plaats de nieuwe riem (17) over de riemschijven. Plaats de riem eerst om de grote riemschijf (18) en vervolgens om de kleine riemschijf (19), en draai met de hand de riem gelijkmatig rond.
- Plaats het deksel weer en draai de schroeven vast.

## Motorborstels inspecteren en vervangen (afb. J)

Controleer de borstels regelmatig op slijtage.

- Borstelkap verwijderen (22). De borstels moeten vrij in de borstelhouder heen en weer kunnen schuiven. Als de borstels zijn afgesleten tot een lengte van 8 mm, moeten ze worden vervangen.

U kunt een nieuwe borstel installeren door deze in de houder te duwen. Als u een bestaande borstel vervangt, moet u de nieuwe borstel in dezelfde richting plaatsen als de verwijderde borstel. Plaats de borstelkap weer (niet te vast aandraaien).

## Het milieu beschermen



Gescheiden afvalinzameling. Producten en accu's die zijn voorzien van dit symbool mogen niet bij het normale huishoudafval worden weggegooid.

Producten en accu's bevatten materialen die kunnen worden teruggewonnen of gerecycled, wat de vraag naar grondstoffen doet afnemen.

Recycle elektrische producten en accu's volgens de ter plaatse geldende bepalingen. Nadere informatie is beschikbaar op [www.2helpU.com](http://www.2helpU.com)

## Technische gegevens

		KW750 (Type 5)
Ingangsspanning	$V_{in}$	230
Opgenomen vermogen	W	750
Snelheid onbelast	min <sup>-1</sup>	16.500
Schaafbreedte	mm	82
Schaafdiepte	mm	2
Sponningdiepte	mm	12
Gewicht	kg	2,9

### Totale trillingswaarden (som triaxvector) volgens EN62841:

Waarde trillingsemisatie ( $a_w$ ) 4,7 m/s<sup>2</sup>

onzekerheid (K) 1,5 m/s<sup>2</sup>

### Geluidsdrukniveau, volgens EN62841:

Geluidsdruk ( $L_{pA}$ ) 86,0 dB(A), onzekerheid (K) 3 dB(A)

Geluidsvermogen ( $L_{wA}$ ) 97,0 dB(A), meetonzekerheid (K) 3 dB(A)

**EG Conformiteitsverklaring**  
RICHTLIJN VOOR MACHINES

KW750 Schaafmachine

Black & Decker verklaart dat de producten die worden beschreven onder "technische gegevens", voldoen aan: EN62841-1:2015, EN62841-2-14:2015.

Deze producten voldoen ook aan richtlijn 2006/42/EC, 2014/30/EU en 2011/65/EU. Neem voor meer informatie contact op met Black & Decker op het volgende adres of raadpleeg de achterzijde van de handleiding.

Ondergetekende is verantwoordelijk voor de samenstelling van het technische bestand en legt deze verklaring af namens Black & Decker .

A. P. Smith

Technical Director of Engineering  
Black & Decker Europe, 270 Bath Road, Slough,  
Berkshire, SL1 4DX, Verenigd Koninkrijk  
30-4-2019

**Garantie**

Black & Decker heeft vertrouwen in zijn producten en biedt consumenten een garantie van 24 maanden vanaf de aankoopdatum. Deze garantie vormt een aanvulling op uw wettelijke rechten en beperken deze niet. De garantie is geldig op het grondgebied van de Lidstaten van de Europese Unie en de Europese Vrijhandelszone.

Voor een garantie-aanspraak moet uw aanspraak in overeenstemming zijn met de Voorwaarden en Condities van Black & Decker en moet u een bewijs van aankoop overleggen aan de verkoper of aan een geautoriseerde reparatiemonteur.

Voorwaarden en condities van de 2-jarige garantie van Black & Decker en het adres van de vestiging van het geautoriseerde reparatiecentrum bij u in de buurt, kunt u vinden op internet op [www.2helpU.com](http://www.2helpU.com), of door contact op te nemen met het Black & Decker ter plaatse op het adres dat in deze handleiding wordt vermeld.

Bezoek onze website [www.blackanddecker.co.uk](http://www.blackanddecker.co.uk) en registreer uw Black & Decker -product en ontvang updates over nieuwe producten en speciale aanbiedingen.



## Uso previsto

El cepillo BLACK+DECKER KW750 ha sido diseñado para cepillar madera, productos de madera y plásticos. La herramienta se ha diseñado para utilizarse a mano. Esta herramienta ha sido concebida únicamente para uso doméstico.

## Instrucciones de seguridad

### Advertencias de seguridad para herramientas eléctricas en general



**¡Advertencia! Lea todas las advertencias de seguridad, instrucciones, ilustraciones y especificaciones suministradas con esta herramienta eléctrica.** El incumplimiento de las instrucciones que se indican a continuación puede causar descargas eléctricas, incendios y/o lesiones graves.

**Guarde todas las advertencias e instrucciones para futuras consultas.** El término "herramienta eléctrica" empleado en las advertencias indicadas a continuación se refiere a la herramienta eléctrica con alimentación de red (con cable) o alimentada por batería (sin cable).

#### 1. Seguridad del área de trabajo

- Mantenga su área de trabajo limpia y bien iluminada.** Las áreas en desorden u oscuras pueden provocar accidentes.
- No utilice la herramienta eléctrica en un entorno con peligro de explosión, en el que se encuentren líquidos, gases o material en polvo inflamables.** Las herramientas eléctricas originan chispas que pueden inflamar el polvo o los gases.
- Cuando utilice la herramienta eléctrica, mantenga alejados a los niños y a otras personas del área de trabajo.** Las distracciones pueden causar la pérdida del control de la herramienta.

#### 2. Seguridad eléctrica

- El enchufe de la herramienta eléctrica debe corresponder a la toma de corriente utilizada. No modifique nunca el enchufe de ninguna forma. No utilice ningún enchufe adaptador con las herramientas eléctricas conectadas a tierra (puestas a masa).** Los enchufes no modificados y las tomas de corriente compatibles reducen el riesgo de descarga eléctrica.
- Evite el contacto corporal con superficies conectadas a tierra o puestas a masa tales como tuberías, radiadores, cocinas y neveras.** Existe un mayor riesgo de descarga eléctrica si su cuerpo está conectado a tierra o puesto a masa.
- No exponga la herramienta eléctrica a la lluvia o a condiciones de humedad.** Si entra agua en una herramienta eléctrica, aumenta el riesgo de descarga eléctrica.

- Cuide el cable de alimentación. No use nunca el cable para transportar, tirar de la herramienta eléctrica o desenchufarla. Mantenga el cable alejado del calor, aceite, bordes afilados y piezas en movimiento.** Los cables dañados o enredados aumentan el riesgo de descarga eléctrica.
  - Si trabaja con la herramienta eléctrica en el exterior, utilice solamente cables de prolongación homologados para uso en exteriores.** La utilización de un cable adecuado para uso en exteriores reduce el riesgo de descarga eléctrica.
  - Si la utilización de la herramienta eléctrica en un lugar húmedo es inevitable, utilice una fuente protegida con un dispositivo diferencial residual (DDR).** El uso de un DDR reduce el riesgo de descarga eléctrica.
- #### 3. Seguridad personal
- Esté atento a lo que hace y utilice la herramienta eléctrica con prudencia. No maneje una herramienta eléctrica cuando esté cansado o bajo los efectos de drogas, medicamentos o alcohol.** Un momento de desatención cuando se manejan herramientas eléctricas puede ocasionar lesiones personales graves.
  - Utilice equipo de seguridad personal. Utilice siempre protección ocular.** El uso de equipo de protección como mascarillas antipolvo, calzado antideslizante, casco o protección auditiva en las condiciones apropiadas reduce la posibilidad de lesiones personales.
  - Impida que la herramienta se ponga en marcha accidentalmente. Asegúrese de que el interruptor se encuentre en la posición de apagado antes de conectar la herramienta a la fuente de alimentación o a la batería, o de coger o transportar la herramienta.** Transportar herramientas eléctricas con el dedo puesto en el interruptor o herramientas eléctricas activadoras que tengan el interruptor encendido puede provocar accidentes.
  - Saque las llaves de ajuste o llaves inglesas antes de encender la herramienta eléctrica.** Dejar una llave inglesa u otra llave puesta en una pieza giratoria de la herramienta eléctrica puede ocasionar lesiones personales.
  - No se estire demasiado. Mantenga un equilibrio adecuado y la estabilidad constantemente.** Esto permite un mejor control de la herramienta eléctrica en situaciones inesperadas.
  - Use la vestimenta adecuada. No se ponga ropa suelta o joyas. Mantenga el cabello y la ropa alejados de las piezas en movimiento.** La ropa suelta, las joyas y el pelo largo pueden quedar atrapados en las piezas móviles.

- g. **Siempre que sea posible utilizar equipos de aspiración o captación de polvo, asegúrese de que estos estén conectados y que se utilicen correctamente.** El uso de equipo de recogida de polvo puede reducir los riesgos relacionados con el polvo.
- h. **Evite que la familiaridad adquirida con el uso frecuente de las herramientas le haga confiarse demasiado e ignorar las principales normas de seguridad de las herramientas.** Una utilización descuidada puede provocar lesiones graves en cuestión de segundos.
4. **Uso y cuidado de herramientas eléctricas**
- a. **No sobrecargue la herramienta eléctrica. Use la herramienta eléctrica correcta para su trabajo.** La herramienta eléctrica correcta funcionará mejor y con mayor seguridad si se utiliza de acuerdo con sus características técnicas.
- b. **No utilice la herramienta eléctrica si tiene el interruptor defectuoso.** Toda herramienta eléctrica que no pueda controlarse con el interruptor es peligrosa y debe ser reparada.
- c. **Desconecte el enchufe de la fuente de alimentación y/o saque la batería de la herramienta, si es extraíble, antes de realizar cualquier ajuste, cambiar accesorios o guardar las herramientas mecánicas.** Tales medidas de seguridad preventivas reducen el riesgo de poner en marcha la herramienta eléctrica accidentalmente.
- d. **Guarde la herramienta eléctrica fuera del alcance de los niños y de las personas que no estén familiarizadas con su uso ni con estas instrucciones.** Las herramientas eléctricas son peligrosas en manos de personas no capacitadas.
- e. **Realice el mantenimiento de las herramientas eléctricas y sus accesorios. Compruebe que las piezas móviles no estén desalineadas ni atascadas, que no haya piezas rotas y cualquier otra condición que pudiera afectar al funcionamiento de la herramienta eléctrica. Si la herramienta eléctrica está dañada, llévala para que sea reparada antes de utilizarla.** Muchos accidentes se producen por el mantenimiento inadecuado de las herramientas eléctricas.
- f. **Mantenga las herramientas de corte limpias y afiladas.** Las herramientas de corte con bordes afilados y correctamente mantenidas tienen menos probabilidad de bloquearse y son más fáciles de controlar.
- g. **Utilice la herramienta eléctrica, los accesorios, los utensilios de la herramienta, etc. de acuerdo con estas instrucciones, y tenga en cuenta las condiciones de trabajo y la tarea a realizar.** El uso

de la herramienta eléctrica para operaciones que no sean las previstas puede ocasionar una situación peligrosa.

h. **Mantenga las empuñaduras y las superficies de agarre secas, limpias y libres de aceite y grasa.**

Las empuñaduras resbaladizas y las superficies engrasadas impiden manipular y controlar la herramienta en situaciones imprevistas.

5. **Reparaciones**

- a. **Haga reparar su herramienta eléctrica solo por personal técnico autorizado que emplee exclusivamente piezas de repuesto originales.** Así se asegurará de que se mantenga la seguridad de la herramienta eléctrica.

**Advertencias de seguridad adicionales para herramientas eléctricas**

- **Espera a que la cuchilla se detenga antes de dejar la herramienta apoyada.** Una cuchilla expuesta puede engancharse en la superficie y producir una pérdida de control y lesiones graves.
- **Sujete la herramienta eléctrica por la superficie de agarre aislada porque la cuchilla puede entrar en contacto con el cable de la herramienta.** Cortar un cable con tensión puede transmitir dicha tensión a las partes metálicas expuestas de la herramienta eléctrica y producir una descarga eléctrica al operador.
- **Utilice fijaciones o cualquier otro método para fijar y apoyar la pieza de trabajo en una plataforma estable.** Si sostiene la pieza con la mano o contra el cuerpo le producirá inestabilidad, lo que podría provocar una pérdida de control.
- **Utilice una mascarilla antipolvo.**
- **Mantenga la cuchilla afilada.** Las cuchillas desafiladas o dañadas pueden hacer que el cepillo dé un giro brusco o se atasque bajo presión. Utilice siempre el tipo adecuado de cuchilla para la herramienta eléctrica.
- No toque la pieza de trabajo ni la cuchilla justo después de utilizar la herramienta. Pueden alcanzar temperaturas muy elevadas.
- Retire todos los clavos y piezas metálicas de la pieza de trabajo antes de cepillarla.
- Sujete siempre la herramienta con ambas manos por las empuñaduras suministradas a tal efecto.
- Desconectar de inmediato el cable de la toma de corriente si presenta daños o está cortado.



**¡Advertencia!** El contacto o la inhalación del polvo procedente del cepillo puede suponer un peligro para la salud del usuario y de cualquier otra persona que se encuentre a su alrededor. Utilice una mascarilla antipolvo diseñada específicamente para la protección contra el polvo y los vapores y asegúrese de que las demás personas que se encuentren dentro del área de trabajo o que vayan a entrar en ella también estén protegidas.

- Las personas (incluidos los niños) con capacidades físicas, sensoriales o mentales disminuidas o que carezcan de experiencia y conocimientos no deben utilizar esta herramienta, salvo que hayan recibido supervisión o formación con respecto al uso del aparato por parte de una persona responsable de su seguridad. Los niños deben vigilarse en todo momento para asegurarse de que no la tomen como elemento de juego.
- En este manual de instrucciones se describe el uso previsto. La utilización de accesorios o dispositivos auxiliares o la realización de operaciones distintas a las recomendadas en este manual de instrucciones para esta herramienta pueden suponer un riesgo de lesiones corporales y/o de daños materiales.

### Seguridad de otras personas

- Este aparato no está destinado al uso por parte de personas (incluyendo los niños) con capacidades físicas, sensoriales o mentales reducidas, o que carezcan de experiencia o del conocimiento necesario, a menos que estén supervisadas o que reciban las instrucciones relativas al uso del aparato por una persona encargada de su seguridad.
- Los niños deben vigilarse en todo momento para asegurarse de que no la tomen como elemento de juego.

### Riesgos residuales

El uso de esta herramienta puede producir riesgos residuales adicionales no incluidos en las advertencias de seguridad adjuntas. Estos riesgos se pueden generar por un uso incorrecto, demasiado prolongado, etc.

El cumplimiento de las normas de seguridad correspondientes y el uso de dispositivos de seguridad no evitan ciertos riesgos residuales. Dichos riesgos incluyen:

- Lesiones producidas por el contacto con piezas móviles o giratorias.
- Lesiones producidas al cambiar cualquier pieza, hoja o accesorio.
- Lesiones producidas al usar una herramienta por un tiempo demasiado prolongado. Si utiliza una herramienta durante períodos de tiempo demasiado prolongados, asegúrese de realizar pausas con frecuencia.
- Deterioro auditivo.
- Riesgos para la salud producidos al respirar el polvo que se genera al usar la herramienta (por ejemplo: en los trabajos con madera, especialmente de roble, haya y tableros de densidad mediana).

### Vibración

Los valores de emisión de vibraciones declarados en el apartado de características técnicas y en la declaración de conformidad se han calculado según un método de prueba estándar proporcionado por la norma EN62841 y pueden utilizarse para comparar una herramienta con otra. El valor de emisión de vibraciones especificado también puede utilizarse en una evaluación preliminar de la exposición.



**¡Advertencia!** El valor de emisión de vibraciones durante el funcionamiento real de la herramienta eléctrica puede diferir del valor declarado en función de cómo se utilice dicha herramienta. El nivel de las vibraciones puede aumentar por encima del nivel declarado.

Al evaluar la exposición a las vibraciones con el fin de determinar las medidas de seguridad que exige la directiva 2002/44/CE para proteger a las personas que utilizan periódicamente herramientas eléctricas en el entorno laboral, deberá tenerse en cuenta una estimación de la exposición a las vibraciones, las condiciones de uso reales y el modo de empleo de la herramienta, así como los pasos del ciclo operativo como, por ejemplo, el número de veces que la herramienta se apaga, el tiempo que está parada y el tiempo de activación.

### Etiquetas en la herramienta

Junto con el código de la fecha, en la herramienta aparecen los siguientes símbolos:



**¡Advertencia!** Para reducir el riesgo de lesiones, el usuario debe leer el manual de instrucciones.

### Seguridad eléctrica



Esta herramienta lleva un doble aislamiento; por lo tanto, no requiere una toma de tierra. Compruebe siempre que el voltaje suministrado corresponda al indicado en la placa de características.

- Si se daña el cable de alimentación, deberá ser sustituido por el fabricante o por un centro de asistencia técnica autorizado de BLACK+DECKER para evitar cualquier situación de riesgo.

### Características

Esta herramienta incluye parte o la totalidad de estas características.

1. Interruptor de encendido/apagado
2. Botón de bloqueo
3. Salida de descarga de virutas
4. Selector de salida de descarga de virutas
5. Perilla de ajuste de profundidad del cepillo
6. Graduación de la profundidad del cepillado

### Montaje



**¡Advertencia!** Antes de proceder al montaje, compruebe que la herramienta está apagada y desenchufada.

### Sustitución de las cuchillas (Fig. A)

Las hojas de corte suministradas con esta herramienta son reversibles. Podrá obtener las cuchillas de repuesto a través de su proveedor local.

### Extracción

- Afloje los pernos (7) utilizando la llave suministrada.
- Deslice la cuchilla (8) hacia fuera del soporte.

- Invierta la cuchilla, de manera que quede colocada con la cara no utilizada hacia afuera. Si ambas caras están gastadas, debe sustituir la cuchilla.

### Colocación

- Deslice la cuchilla hacia el interior del soporte hasta que toque el tope del extremo.
- Apriete los pernos con la llave de tuercas suministrada.



**¡Advertencia!** Sustituya siempre ambas cuchillas.

### Ajuste de la profundidad del corte (Fig. B)

La profundidad del corte se indica con la marca (9). El intervalo de ajuste se puede leer en la graduación (6).

- Gire la perilla de ajuste de profundidad del cepillo (5) hacia la profundidad de corte que desee.
- Gire la perilla hacia la posición "P" cuando no utilice la herramienta.

### Montaje y desmontaje de la guía paralela (Fig. C)

La guía paralela se utiliza para ejercer un control óptimo sobre las piezas de trabajo muy estrechas.

- Enrosque la perilla (11) en el orificio situado en la parte lateral del cepillo y apriétela bien.
- Afloje la perilla de ajuste de la guía paralela (10).
- Deslice la guía paralela hasta la posición que desee.
- Apriete bien la perilla de ajuste de la guía paralela.

**Nota:** La guía paralela debería estar situada debajo del cepillo, si está montada correctamente.

- Para extraer la guía paralela, proceda en el orden inverso.

### Conexión de una aspiradora a la herramienta

#### (Fig. D)

Se necesita un adaptador para conectar una aspiradora o un extractor de polvo a la herramienta. El adaptador puede adquirirse a través del distribuidor local de Black & Decker.

- Deslice el adaptador (12) sobre la salida de descarga de virutas (3).
- Conecte la manguera de la aspiradora (13) al adaptador.

### Fijación de la bolsa recolectora de virutas (Fig. E)

La bolsa recolectora de virutas es particularmente útil cuando se trabaja en espacios cerrados.

- Deslice la placa de conexión (14) de la bolsa sobre cualquier de los lados de salida de descarga de virutas (3).
- Para evitar que las astillas salgan por el lado contrario de la salida de descarga de virutas, desplace el selector de salida de descarga de virutas (4) hacia el lado opuesto de la bolsa.

### Vaciado de la bolsa recolectora de virutas

La bolsa recolectora de virutas debería vaciarse regularmente durante el uso para evitar que la máquina se bloquee.

- Abra la bolsa y vacíela antes de continuar.

### Uso



**¡Advertencia!** Deje que la herramienta funcione a su ritmo. No la sobrecargue.

- Ajuste la profundidad de corte.
- Si es necesario, ajuste y apriete la guía paralela.

### Encendido y apagado

#### Encendido

- Mantenga presionado el botón de desbloqueo (2) y pulse el interruptor de encendido/apagado (1).
- Suelte el botón de desbloqueo.

#### Apagado

- Suelte el interruptor de encendido/apagado.

### Cepillado

- Sujete la herramienta manteniendo la boca de la zapata apoyada sobre la parte superior de la superficie de la pieza de trabajo.
- Encienda la herramienta.
- Desplace la herramienta firmemente hacia delante para realizar el movimiento de corte.
- Apague la herramienta una vez que haya finalizado el movimiento de corte.

### Rebaje (Fig. F)

- Ajuste y apriete la guía paralela.
- Proceda igual que para el cepillado.

### Bordes biselados (Fig. G)

La ranura en forma de V de la boca de la zapata permite biselar los bordes en ángulos de 45°, 30° y 15°.

- Sujete la herramienta en ángulo, con la ranura deseada (20) alrededor del borde de la pieza de trabajo, y realice el movimiento de corte.

### Apoyo de aparcamiento (Fig. H)

El cepillo está equipado con un apoyo de aparcamiento (21) que la deja en su sitio automáticamente cuando la herramienta se ha levantado por encima de la superficie de trabajo. Durante el cepillado, la mordaza de aparcamiento se levanta a medida que la herramienta se empuja hacia delante. Cuando el apoyo de aparcamiento está bajado, el cepillo puede situarse sobre la superficie de trabajo sin que la cuchilla la toque.

### Consejos para un uso óptimo

- Desplace la herramienta en el sentido de la veta de la madera.
- Si la veta es entrecruzada o rizada, o si el material de la pieza de trabajo es de algún tipo de madera dura, ajuste la profundidad de corte para realizar solamente un rasurado muy fino en cada pasada y realice muchas pasadas para conseguir el resultado deseado.
- Para mantener la herramienta sobre una línea recta, presione la parte frontal de la herramienta al principio, y presione la parte trasera de la herramienta al final del movimiento de corte.

## Accesorios

El funcionamiento de la herramienta dependerá del accesorio que se utilice. Los accesorios Piranha y Black & Decker se han fabricado siguiendo estándares de alta calidad y se han diseñado para mejorar el funcionamiento de la herramienta. Con estos accesorios, sacará el máximo provecho a su herramienta.

Es posible obtener los siguientes tipos de cuchillas a través de su proveedor local:

- Cuchillas reversibles con puntas de carburo de tungsteno (n.º de pieza X35007, suministradas por pares)
- Cuchillas reversibles de acero de alta velocidad (n.º de pieza X24192-XJ11, suministradas por pares)

## Mantenimiento

Su herramienta BLACK+DECKER ha sido diseñada para funcionar durante un largo período de tiempo con un mantenimiento mínimo. El funcionamiento satisfactorio y continuo depende del buen cuidado de la herramienta y de una limpieza frecuente.



**¡Advertencia!** Antes de llevar a cabo la limpieza o el mantenimiento de la herramienta, desenchufe la herramienta. Desenchufe el cargador antes de limpiarlo.

- Limpie periódicamente las ranuras de ventilación de la herramienta con un cepillo suave o un paño seco.
  - Limpie periódicamente la carcasa del motor con un paño húmedo.
- No utilice limpiadores abrasivos o a base de disolventes.

## Sustitución de la correa de transmisión (Fig. I)

- Afloje los tornillos (15) y extraiga la tapa (16).
- Retire la correa de transmisión antigua.
- Coloque la nueva correa (17) sobre las poleas. Primero, coloque la correa sobre la polea grande (18) y, a continuación, sobre la polea pequeña (19), mientras gira manualmente la correa con firmeza.
- Vuelva a colocar la tapa en su sitio y apriete los tornillos.

## Inspección y sustitución de la escobilla del motor (Fig. J)

Se deberían revisar las escobillas periódicamente para ver si están desgastadas.

- Retire la tapa de la escobilla (22). Las escobillas deberían deslizarse libremente en la caja de escobillas. Si las escobillas están desgastadas por debajo de 0,3" (8 mm), deberían sustituirse.

Para reinstalarlas, empuje las nuevas escobillas en la caja de escobillas. Si se sustituye una escobilla existente, mantenga la misma orientación que la que se retiró. Vuelva a colocar la tapa de las escobillas sin apretarla demasiado.

## Protección del medioambiente



Recogida selectiva. Los productos y las baterías marcadas con este símbolo no se deben desechar junto con los residuos domésticos normales.

Los productos y las baterías que contienen materiales que se puedan recuperar o reciclar reducen la demanda de materias primas.

Recicle los productos eléctricos y las baterías de conformidad con la normativa local. Puede obtener más información en [www.2helpU.com](http://www.2helpU.com)

## Datos técnicos

		KW750 (Tipo 5)
Voltaje de entrada	V <sub>~</sub>	230
Potencia de entrada	A	750
Velocidad en vacío	min. <sup>-1</sup>	16.500
Ancho de cepillado	mm	82
Profundidad de cepillado	mm	2
Profundidad de rebaje	mm	12
Peso	kg	2.9

Valores totales de vibración (suma vectorial triaxial) de acuerdo con la directiva EN62841:

Valor de emisión de vibraciones (a<sub>v</sub>) 4.7 m/s<sup>2</sup>

incertidumbre (K) 1.5 m/s<sup>2</sup>

Nivel de presión acústica de acuerdo con la norma EN62841:

Presión acústica (L<sub>p</sub>) 86,0 dB(A), incertidumbre (K) de 3 dB(A)

Potencia acústica (L<sub>wa</sub>) 97,0 dB(A), incertidumbre (K) 3 dB(A)

**Declaración de conformidad CE**  
DIRECTIVA DE MÁQUINAS

KW750 Cepilladora

Black & Decker declara que los productos descritos en "Datos técnicos" cumplen las siguientes normas: EN62841-1:2015, EN62841-2-14:2015.

Estos productos también cumplen las directivas 2006/42/CE, 2014/30/UE y 2011/65/UE. Para más información, póngase en contacto con Black & Decker en la siguiente dirección o consulte la parte posterior del manual.

El que suscribe es responsable de la compilación del archivo técnico y realiza esta declaración en nombre de Black & Decker.

A. P. Smith

Director Técnico de Ingeniería  
Black & Decker Europe, 270 Bath Road, Slough,  
Berkshire, SL1 4DX, Reino Unido  
30/04/2019

**Garantía**

Black & Decker confía en la calidad de sus productos y ofrece a los consumidores una garantía de 24 meses a partir de la fecha de compra. Esta garantía es adicional a sus derechos legales y no los menoscaba en modo alguno. La garantía es válida dentro de los territorios de los Estados Miembros de la Unión Europea y del Área de Libre Comercio Europea.

Para reclamar la garantía, la reclamación se debe presentar de conformidad con las condiciones de Black & Decker, presentando el comprobante de compra al vendedor o al agente técnico autorizado.

Las condiciones de la garantía de Black & Decker de 2 años de duración y la ubicación de su agente técnico autorizado más cercano se pueden obtener en el sitio web [www.2helpU.com](http://www.2helpU.com) o poniéndose en contacto con su oficina local de Black & Decker en la dirección que se indica en este manual.

Visite nuestro sitio web [www.blackanddecker.co.uk](http://www.blackanddecker.co.uk) para registrar su nuevo producto Black & Decker y recibir noticias sobre nuevos productos y ofertas especiales.

## Utilização pretendida

A plaina BLACK+DECKER KW750 foi concebida para aplainar madeira, produtos de madeira e plásticos. Esta ferramenta destina-se apenas a utilização manual. Esta ferramenta destina-se apenas a utilização doméstica.

## Instruções de segurança

### Avisos de segurança gerais para ferramentas eléctricas



**Atenção! Leia todos os avisos de segurança, instruções, ilustrações e especificações fornecidas com esta ferramenta eléctrica.** O não cumprimento de todas as instruções indicadas abaixo pode resultar em choque eléctrico, incêndio e/ou ferimentos graves.

**Guarde todos os avisos e instruções para futura referência.** A expressão “ferramenta eléctrica” indicada em todos os avisos refere-se a ferramentas eléctricas com ligação à corrente eléctrica (com fio) ou com bateria (sem fios).

#### 1. Segurança na área de trabalho

- Mantenha a área de trabalho limpa e bem iluminada.** As áreas desorganizadas ou escuras são propensas a acidentes.
- Não trabalhe com ferramentas eléctricas em áreas com risco de explosão, nas quais se encontrem líquidos, gases ou poeiras inflamáveis.** As ferramentas eléctricas criam faíscas que podem inflamar estas poeiras ou vapores.
- Mantenha crianças e outras pessoas afastadas durante a utilização da ferramenta eléctrica.** As distrações podem levar à perda do controlo da ferramenta.

#### 2. Segurança eléctrica

- A ficha da ferramenta eléctrica deve caber na tomada. Nunca modifique a ficha de forma alguma. Não utilize fichas adaptadoras com ferramentas eléctricas ligadas à terra.** As fichas não modificadas e as tomadas compatíveis reduzem o risco de choque eléctrico.
- Evite que o corpo entre em contacto com superfícies ligadas à terra, como tubos, radiadores, fogões e frigoríficos.** Se o seu corpo estiver “ligado” à terra, o risco de choque eléctrico é maior.
- As ferramentas eléctricas não podem ser expostas à chuva ou à humidade.** A entrada de água numa ferramenta eléctrica aumenta o risco de choque eléctrico.
- Manuseie o cabo com cuidado. Nunca o utilize para transportar, puxar ou desligar a ferramenta eléctrica.** Mantenha o cabo afastado de fontes de calor, substâncias oleosas, arestas afiadas ou peças móveis. Os cabos danificados ou emaranhados aumentam o risco de choque eléctrico.

- Quando trabalhar com uma ferramenta eléctrica ao ar livre, utilize um cabo de extensão apropriado para esse fim.** A utilização de um cabo adequado para uso ao ar livre reduz o risco de choque eléctrico.
- Se for inevitável trabalhar com uma ferramenta eléctrica num local húmido, utilize um Dispositivo de Corrente Residual (DCR).** A utilização de um DCR reduz o risco de choque eléctrico.

#### 3. Segurança pessoal

- Esteja sempre atento, preste atenção ao que está a fazer e seja prudente quando trabalhar com uma ferramenta eléctrica. Não utilize uma ferramenta eléctrica quando estiver cansado ou sob o efeito de drogas, álcool ou medicamentos.** Um momento de distração durante a utilização de ferramentas eléctricas pode resultar em ferimentos graves.
- Use equipamento de protecção pessoal. Use sempre protecção ocular.** O equipamento de protecção, como, por exemplo, uma máscara contra o pó, sapatos de segurança antiderrapantes, um capacete de segurança ou uma protecção auditiva, usado nas condições adequadas, reduz o risco de ferimentos.
- Evite arranques involuntários. Certifique-se de que o gatilho está desligado antes de ligar a ferramenta à corrente eléctrica e/ou as baterias, e antes de levantar ou transportar a ferramenta.** Se mantiver o dedo sobre o gatilho ao transportar ferramentas eléctricas ou se as ligar à fonte de alimentação com o interruptor ligado, pode dar origem a acidentes.
- Retire qualquer chave de ajuste ou chave de porcas antes de ligar a ferramenta eléctrica.** Uma chave de fendas ou de ajuste fixada numa peça rotativa da ferramenta eléctrica pode causar ferimentos.
- Não se estique demasiado ao trabalhar com a ferramenta.** Mantenha sempre os pés bem apoiados e um equilíbrio apropriado. Desta forma, será mais fácil controlar a ferramenta eléctrica em situações inesperadas.
- Use vestuário adequado. Não use roupa larga ou joias. Mantenha o cabelo e a roupa afastados das peças móveis.** As roupas largas, jóias ou o cabelo comprido podem ficar presos nestas peças.
- Se for prevista a montagem de dispositivos de extracção e recolha de pó, assegure-se de que estão ligados e que são utilizados de forma correcta.** A utilização de dispositivos de extracção de partículas pode reduzir os riscos relacionados com as mesmas.
- Não permita que o facto de estar familiarizado com a utilização frequente das ferramentas o torne complacente e ignore os princípios de segurança da ferramenta.** Uma acção irreflectida pode causar ferimentos graves numa fracção de segundos.




#### 4. Utilização e manutenção da ferramenta eléctrica

- a. **Não sobrecarregue a ferramenta eléctrica. Utilize a ferramenta eléctrica correta para o seu trabalho.** A ferramenta eléctrica adequada irá efectuar o trabalho de um modo mais eficiente e seguro se for utilizada de acordo com a capacidade para a qual foi concebida.
- b. **Não utilize a ferramenta eléctrica se o interruptor não puder ser ligado nem desligado.** Qualquer ferramenta eléctrica que não possa ser controlada através do gatilho é perigosa e tem de ser reparada.
- c. **Retire a ficha da tomada de electricidade e/ou a bateria da ferramenta eléctrica, caso seja possível fazê-lo, da ferramenta eléctrica antes de efectuar quaisquer ajustes, substituir acessórios ou guardar ferramentas eléctricas.** Estas medidas de segurança preventivas reduzem o risco de ligar a ferramenta eléctrica acidentalmente.
- d. **Mantenha as ferramentas eléctricas que não estiverem a ser utilizadas fora do alcance de crianças. Não permita que a ferramenta eléctrica seja utilizada por pessoas não familiarizadas com a mesma ou que não tenham lido estas instruções.** As ferramentas eléctricas são perigosas nas mãos de pessoas que não possuam as qualificações necessárias para as manusear.
- e. **Proceda à manutenção das ferramentas eléctricas e acessórios. Verifique se as partes móveis estão desalinhasadas ou bloqueadas, se existem peças partidas ou qualquer outra situação que possa afetar o funcionamento das ferramentas eléctricas. Se a ferramenta eléctrica estiver danificada, esta não deve ser utilizada até que seja reparada.** Muitos acidentes são causados por ferramentas eléctricas com uma manutenção insuficiente.
- f. **Mantenha as ferramentas de corte sempre afiadas e limpas.** As ferramentas de corte sujeitas a uma manutenção adequada, com arestas de corte afiadas, bloqueiam com menos frequência e controlam-se com maior facilidade.
- g. **Utilize a ferramenta eléctrica, acessórios e peças de ferramenta de acordo com estas instruções, considerando as condições de trabalho e o tarefa a ser executada.** A utilização da ferramenta eléctrica para fins diferentes dos previstos pode resultar em situações perigosas.
- h. **Mantenha as pegas e as superfícies de fixação secas, limpas e sem qualquer óleo ou gordura.** Se o cabo estiver escorregadio e as superfícies de fixação tiverem gordura, isso não permite um manuseamento e controlo seguros da ferramenta em situações inesperadas.

#### 5. Assistência

- a. **A ferramenta eléctrica deverá ser reparada por técnicos qualificados que utilizem apenas peças de substituição iguais.** Desta forma, é garantida a segurança da ferramenta eléctrica.

#### Avisos de segurança adicionais sobre ferramentas eléctricas

- **Só deve pousar quando a lâmina parar por completo.** Uma lâmina exposta pode ficar presa na superfície podendo causar perda de controlo e ferimentos graves.
  - **Segure a ferramenta eléctrica pelas áreas isoladas, porque a lâmina pode entrar em contacto com o cabo.** Cortar um acessório em contacto com um cabo “sob tensão” pode expor as peças metálicas sob tensão da ferramenta eléctrica e provocar um choque eléctrico no operador.
  - **Utilize grampos ou outro sistema prático para apoiar e fixar a peça numa plataforma estável.** Se fixar a peça com a mão ou contra o corpo, a peça fica instável e pode causar perda de controlo.
  - **Utilize uma máscara anti-poeira.**
  - **Mantenha a lâmina afiada.** As lâminas embotadas ou danificadas podem fazer com que a plaina se desvie ou fique encravada sob pressão. Utilize sempre o tipo adequado de lâmina na ferramenta eléctrica.
  - **Não toque na peça ou na lâmina imediatamente após utilizar a ferramenta.** Podem ficar muito quentes.
  - **Remova todos os pregos e objectos metálicos da peça antes de utilizar a plaina para aplainar.**
  - **Segure sempre a ferramenta com ambas as mãos e pelos punhos fornecidos.**
  - **Desligue de imediato o cabo da corrente se ficar danificado ou cortado.**
-  **Atenção!** O contacto ou a inalação de poeiras resultantes das aplicações do aplainamento pode colocar em perigo a saúde do operador ou das pessoas presentes. Utilize uma máscara especificamente concebida para protecção contra poeiras e vapores e certifique-se de que as pessoas perto da área de trabalho também estão protegidas.
- Esta ferramenta não deve ser utilizada por pessoas (incluindo crianças) que apresentem capacidades físicas, sensoriais ou mentais reduzidas ou que não possuam os conhecimentos e a experiência necessários, excepto se forem vigiadas e instruídas acerca da utilização do equipamento por uma pessoa responsável pela sua segurança. As crianças devem ser vigiadas para que não mexam no equipamento.
  - A utilização adequada é descrita neste manual de instruções. A utilização de qualquer acessório ou a realização de qualquer operação com esta ferramenta que não esteja incluída neste manual de instruções pode causar ferimentos e/ou danos materiais.



## Segurança de terceiros

- Este equipamento não deve ser utilizado por pessoas (incluindo crianças) com capacidades físicas, sensoriais ou mentais reduzidas ou com falta de experiência e conhecimentos, a menos que sejam acompanhadas ou tenham recebido formação sobre a utilização deste equipamento por uma pessoa responsável pela sua segurança.
- As crianças devem ser vigiadas para que não mexam no equipamento.

## Riscos residuais

Podem surgir riscos residuais adicionais durante a utilização da ferramenta, que podem não constar nos avisos de segurança incluídos. Estes riscos podem resultar de má utilização, uso prolongado, etc.

Mesmo com o cumprimento dos regulamentos de segurança relevantes e a implementação de dispositivos de segurança, alguns riscos residuais não podem ser evitados. Estes incluem:

- Ferimentos causados pelo contacto com peças em rotação/movimento.
- Ferimentos causados durante a troca de peças, lâminas ou acessórios.
- Ferimentos causados pela utilização prolongada de uma ferramenta. Se utilizar uma ferramenta durante períodos prolongados, certifique-se de que faz pausas com regularidade.
- Perda de audição.
- Problemas de saúde causados pela inalação de poeiras resultantes da utilização da ferramenta (exemplo: trabalhos em madeira, especialmente carvalho, faia e MDF).

## Vibração

Os valores da emissão de vibração declarados na secção de dados técnicos e na declaração de conformidade foram medidos de acordo com o método de teste padrão fornecido pela EN EN62841 e podem ser utilizados para comparar ferramentas. O valor da emissão de vibração declarado pode ainda ser utilizado numa avaliação preliminar de exposição.



**Atenção!** O valor da emissão de vibração durante a utilização real da ferramenta eléctrica pode ser diferente do valor declarado, dependendo da forma como a ferramenta é utilizada. O nível de vibração pode aumentar acima do nível indicado.

Quando avaliar a exposição da vibração para determinar as medidas de segurança exigidas pela Diretiva 2002/44/CE para proteger pessoas que utilizem regularmente ferramentas eléctricas na sua atividade profissional, deve ser considerada uma estimativa de exposição de vibração, as condições reais de utilização e o modo de utilização da ferramenta, incluindo ainda todas as partes do ciclo de funcionamento, como os períodos de inatividade e espera da ferramenta, além do tempo de funcionamento.

## Etiquetas colocadas na ferramenta

A ferramenta apresenta os seguintes símbolos de aviso juntamente com o código de data:



**Atenção!** Para reduzir o risco de ferimentos, o utilizador deve ler o manual de instruções.

## Segurança eléctrica



Esta ferramenta tem isolamento duplo. Por esse motivo, não necessita de ligação à terra. Verifique sempre se a tensão da tomada de electricidade corresponde à tensão indicada na placa sinalética.

- Se o cabo de alimentação estiver danificado, deve ser substituído pelo fabricante ou por um centro de assistência autorizado da BLACK+DECKER para evitar acidentes.

## Componentes

Esta ferramenta inclui todas ou parte das seguintes funcionalidades.

1. Interruptor de ligar/desligar
2. Botão de desbloqueio
3. Saída de descarga das aparas
4. Selector de saída de descarga de aparas
5. Botão de ajuste da profundidade de aplainamento
6. Gradação de profundidade da plaina

## Montagem



**Atenção!** Antes da montagem, certifique-se de que a ferramenta está desligada e que retirou a ficha da tomada eléctrica.

## Substituir as lâminas de corte (Fig. A)

As lâminas de corte fornecidas com esta ferramenta são reversíveis. Pode solicitar a substituição das lâminas de corte junto do seu revendedor local.

## Remover

- Afrouxe os parafusos (7) utilizando a chave inglesa fornecida.
- Faça deslizar a lâmina (8) para fora do suporte.
- Inverta a lâmina para colocar o lado não utilizado na respectiva posição. Se ambos os lados estiverem gastos, é necessário substituir a lâmina.

## Montagem

- Faça deslizar a lâmina para o suporte até ficar encostada ao batente.
- Aperte os parafusos utilizando a chave inglesa fornecida.



**Atenção!** Substitua sempre ambas as lâminas.

## Ajustar a profundidade de corte (Fig. B)

A profundidade de corte é indicada pelo marcador (9). A gama de definições está indicada na régua (6).

- Rode o botão de ajuste da profundidade de aplainamento (5) para a profundidade de corte pretendida.

- Rode o botão para a posição "P" sempre que a ferramenta não estiver a ser utilizada.

### Montagem e remoção da guia paralela (Fig. C)

A guia paralela é utilizada para um controlo optimizado das peças estreitas.

- Enrosque o botão (11) no orifício da parte lateral da plaina e aperte com firmeza.
- Desaperte o botão de ajuste da guia paralela (10).
- Faça deslizar a guia paralela para a posição pretendida.
- Aperte com firmeza o botão de ajuste da guia paralela.

**Nota:** A guia paralela deve ficar abaixo da plaina depois de instalada correctamente.

- Para remover a guia paralela, proceda pela ordem inversa.

### Ligar um aspirador à ferramenta (Fig. D)

É necessário um adaptador para ligar um aspirador ou extractor de poeiras à ferramenta. Pode adquirir o adaptador no seu revendedor local Black & Decker.

- Faça deslizar o adaptador (12) sobre a saída de descarga de aparas (3).
- Ligue o tubo do aspirador (13) ao adaptador.

### Montar o saco de recolha de aparas (Fig. E)

O saco de recolha de aparas é útil especialmente quando se trabalha em espaços confinados.

- Faça deslizar a placa de ligação (14) do saco sobre ambos os lados da saída de descarga de aparas (3).
- Para impedir a saída de lascas pelo lado oposto da saída de descarga de aparas, mova o selector da saída de descarga das aparas (4) para o lado oposto ao do saco.

### Esvaziar o saco de recolha de aparas

O saco de recolha de aparas deve ser esvaziado regularmente durante a utilização para evitar bloqueios.

- Abra o saco e esvazie-o antes de continuar.

### Utilização



**Atenção!** Não altere o ritmo de funcionamento da ferramenta. Não sobrecarregue.

- Ajuste a profundidade de corte.
- Se necessário, monte e ajuste a guia paralela.

### Ligar e desligar

#### Ligar

- Mantenha o botão de desbloqueio (2) pressionado e pressione o interruptor de ligar/desligar (1).
- Liberte o botão de desbloqueio.

#### Desligar

- Solte o interruptor de ligar/desligar.

### Aplainamento

- Segure na ferramenta com a ponta da base sobre a superfície da peça.
- Ligue a ferramenta.
- Mova a ferramenta para a frente com firmeza para efectuar o corte.
- Desligue a ferramenta após efectuar o movimento de corte.

### Entalhe (Fig. F)

- Monte e ajuste a guia paralela.
- Efectue o procedimento indicado para trabalhos com plaina.

### Chanfrar arestas (Fig. G)

A ranhura em forma de V na ponta da base permite-lhe chanfrar arestas em ângulos de 45°, 30° e 15°.

- Coloque a ferramenta num ângulo com a ranhura pretendida (20) em volta da aresta da peça e execute o movimento de corte.

### Apoio de estacionamento (Fig. H)

A plaina está equipada com um apoio de estacionamento (21) que se baixa automaticamente assim que a ferramenta é levantada da superfície da peça. Durante o aplainamento, o pé de estacionamento ergue-se assim que a ferramenta é empurrada para a frente. Quando o pé de estacionamento é baixado, a plaina pode assentar sobre a superfície da peça sem haver contacto com a lâmina.

### Sugestões para uma utilização ótima

- Desloque a ferramenta sobre o veio da madeira.
- Se o veio estiver frisado ou encrespado, ou se o material da peça for um tipo de madeira difícil, ajuste a profundidade de corte de modo a cortar apenas uma aparta muito fina em cada passagem e faça vários movimentos de corte para obter o resultado pretendido.
- Para manter a ferramenta numa linha direita, faça pressão sobre a parte da frente da ferramenta no início do movimento de corte e faça pressão sobre a parte de trás da ferramenta no final do movimento.

### Acessórios

O desempenho da ferramenta depende dos acessórios utilizados. Os acessórios Black & Decker e Piranha são concebidos segundo normas de elevada qualidade e desenvolvidos de modo a melhorar o desempenho da sua ferramenta. Ao utilizar estes acessórios, vai tirar o melhor proveito da ferramenta.

Podem solicitar os seguintes tipos de lâminas de corte junto do seu revendedor local:

- Lâminas de corte reversíveis com ponta de carboneto de tungsténio (peça n.º X35007, disponível aos pares)
- Lâminas de corte reversíveis de aço de alta velocidade (peça n.º X24192-XJ11, disponível aos pares)

### Manutenção

A ferramenta BLACK+DECKER foi concebida para funcionar durante muito tempo com um mínimo de manutenção. Uma utilização continuamente satisfatória depende de uma manutenção adequada da ferramenta e de uma limpeza regular.



**Atenção!** Antes de efectuar qualquer tarefa de manutenção na ferramenta, desligue a ferramenta. Desligue o carregador antes de o limpar.

- Limpe regularmente as aberturas de ventilação da ferramenta com uma escova suave ou um pano seco.

- Limpe regularmente o compartimento do motor com um pano húmido.  
Não utilize produtos de limpeza abrasivos ou à base de solventes.

### Substituição da correia de transmissão (Fig. I)

- Desaperte os parafusos (15) e retire a tampa (16).
- Retire a correia de transmissão antiga.
- Coloque a nova correia (17) nas polias. Coloque a correia sobre a polia maior (18) primeiro e, em seguida, sobre a polia mais pequena (19), ao mesmo tempo que roda manualmente a correia num movimento firme.
- Volte a colocar a tampa e aperte os parafusos.

### Inspecção e substituição da escova do motor (Fig. J)

O desgaste das escovas deve ser inspeccionado em intervalos regulares.

- Retire a tampa da escova (22). As escovas deverão deslizar livremente na caixa de escovas. Se as escovas apresentarem um desgaste até 8 mm devem ser substituídas.

Para reinstalar uma escova, empurre a nova escova de volta à caixa de escovas. Se estiver a substituir uma escova existente, mantenha a mesma orientação da escova removida. Substitua a tampa da escova (não a aperte demasiado).

### Protecção do ambiente



Faça uma recolha de lixo seletiva. Os produtos e as baterias assinalados com este símbolo não devem ser eliminados juntamente com o lixo doméstico normal.

Os produtos e baterias contêm materiais que podem ser recuperados ou reciclados, reduzindo a necessidade de matérias-primas.

Recicle os produtos eléctricos e as baterias de acordo com as disposições locais. Estão disponíveis mais informações em [www.2helpU.com](http://www.2helpU.com)

### Dados técnicos

		KW750 (Tipo 5)
Tensão de entrada	$V_{in}$	230
Alimentação	A	750
Velocidade sem carga	min. <sup>-1</sup>	16 500
Largura da plaina	mm	82
Profundidade de aplainamento	mm	2
Profundidade de entalhe	mm	12
Peso	kg	2,9

Valores totais de vibração (soma de vetores triaxiais) de acordo com a norma EN62841:

Valor da emissão de vibração (a): 4,7 m/s<sup>2</sup>

variabilidade (K): 1,5 m/s<sup>2</sup>

Nível de pressão acústica de acordo com a norma EN62841:

Pressão acústica ( $L_{wa}$ ) 86,0 dB(A), variabilidade (K) 3 dB(A)

Potência acústica ( $L_{wa}$ ) 97,0 dB(A), incerteza (K) 3 dB(A)

**Declaração de conformidade CE**  
DIRECTIVA "MÁQUINAS"

KW750 Plaina

A Black & Decker declara que os produtos descritos nos "dados técnicos" estão em conformidade com: EN62841-1:2015, EN62841-2-14:2015.

Estes produtos estão também em conformidade com as directivas 2006/42/CE, 2014/30/UE e 2011/65/UE. Para obter mais informações, contacte a Black & Decker através da morada indicada abaixo ou consulte o verso do manual. O abaixo assinado é responsável pela compilação do ficheiro técnico e faz esta declaração em nome da Black & Decker.

A. P. Smith  
Director Técnico de Engenharia  
Black & Decker Europe, 270 Bath Road, Slough,  
Berkshire, SL1 4DX, Reino Unido  
30/04/2019

**Garantia**

A Black & Decker confia na qualidade dos seus produtos e oferece aos clientes uma garantia de 24 meses a partir da data de compra. Esta garantia é um complemento dos seus direitos estabelecidos por lei, não os prejudicando de forma alguma. A garantia é válida nos Estados-membros da União Europeia e nos países-membros da Zona Europeia de Comércio Livre.

Para acionar a garantia, esta deve estar em conformidade com os termos e condições da Black & Decker e terá de apresentar comprovativos de compra ao vendedor ou a um técnico de reparação autorizado.

Os termos e condições da garantia de 2 anos da Black & Decker e a localização do técnico de reparação autorizado mais próximo podem ser obtidos na Internet em [www.2helpU.com](http://www.2helpU.com) ou contactando uma filial da local Black & Decker local, cuja morada está indicada neste manual.

Visite o nosso Website [www.blackanddecker.co.uk](http://www.blackanddecker.co.uk) para registar o novo produto da Black & Decker e receber actualizações sobre novos produtos e ofertas especiais.

## Vsedd användning

Din BLACK+DECKER KW750-hyvel är vsedd för hyvling av trä, träprodukter och plast. Verktøget är endast avsett att hållas i händerna. Detta verktyg är endast avsett för konsumentbruk.

## Säkerhetsinstruktioner

### Allmänna säkerhetsanvisningar för elverktyg



**Varning! Läs alla säkerhetsvarningar, instruktioner, illustrationer och specifikationer som levereras med detta elverktyg.** Underlåtenhet att läsa alla instruktioner som listas här nedan kan resultera i elektrisk stöt, eldsveda och/eller allvarlig personskada.

**Spara alla säkerhetsföreskrifter och anvisningar för framtida bruk.** Begreppet "elverktyg" i alla varningar som listas nedan avser nätdrivna elverktyg (med nätsladd) och batteridrivna elverktyg (sladdlösa).

### 1. Säkerhet på arbetsplatsen

- Håll arbetsområdet rent och ordentligt upplyst. Belamrade och mörka områden inbjuder till olyckor.
- För att undvika explosionsrisk bör du inte använda elverktyget i omgivningar med brännbara vätskor, gaser eller damm. Elverktyg skapar gnistor som kan antända damm eller ångor.
- Håll barn och andra personer på betryggande avstånd när du använder elverktyg. Distractioner kan göra att du förlorar kontrollen.

### 2. Elsäkerhet

- Elverktygets stickkontakt måste passa i eluttaget. Modifiera aldrig kontakten på något sätt. Använd inga adapterkontakter tillsammans med jordade elverktyg. Icke modifierade kontakter och passande uttag minskar risken för elektrisk stöt.
- Undvik kroppskontakt med jordade ytor som t.ex. rör, värmeelement, spisar och kylskåp. Det finns en ökad risk för elektrisk stöt om din kropp är jordansluten eller jordad.
- Skydda elverktyget mot regn och väta. Vatten som kommer in i ett elverktyg ökar risken för elektrisk stöt.
- Hantera inte nätsladden ovarsamt. Använd aldrig sladden för att bära, dra eller koppla bort elverktyget från uttaget. Håll sladden borta från värme, olja, skarpa kanter eller rörliga delar. Skadade eller tilltrasslade sladdar ökar risken för elektrisk stöt.
- Använd endast förlängningssladdar som är godkända för utomhusbruk när du arbetar med elverktyg utomhus. Användning av en sladd som är lämplig för utomhusbruk minskar risken för elektriska stötar.
- Om du måste använda ett elverktyg på en fuktig plats ska du använda jordfelsbrytare. Användning av en jordfelsbrytare minskar risken för elektrisk stöt.

### 3. Personlig säkerhet

- Var uppmärksam, se på vad du gör och använd elverktyget med förnuft. Använd inte ett elverktyg när du är trött eller påverkad av droger, alkohol eller mediciner. Ett ögonblicks ouppmärksamhet när du arbetar med elektriska verktyg kan leda till allvarliga personsador.
  - Använd personlig skyddsutrustning. Använd alltid skyddsglasögon. Skyddsutrustning såsom skyddsmask, halksäkra säkerhetsskor, skyddshjälm eller hörselskydd som används för lämpliga förhållanden minskar personsador.
  - Undvik oavsiktlig start. Kontrollera att strömbrytaren står i avstängt läge innan du ansluter verktyget till elnätet eller sätter i batteriet, samt innan du tar upp eller bär verktyget. Att bära elektriska verktyg med fingret på strömbrytaren eller att koppla strömmen till elektriska verktyg när strömbrytaren är på leder till olyckor.
  - Ta bort alla inställningsverktyg och skruvnycklar innan du startar elverktyget. Ett verktyg eller en nyckel som har lämnats kvar på en roterande del av det elektriska verktyget kan orsaka kroppssador.
  - Bøj dig inte för långt. Ha ordentligt fötäste och balans hela tiden. Detta möjliggör bättre kontroll av elverktyget i oväntade situationer.
  - Klä dig på lämpligt sätt. Bär inte lösa kläder eller smycken. Håll hår och kläder borta från delar i rörelse. Lösa kläder, smycken eller långt hår kan fastna i rörliga delar.
  - Om elverktyget har utrustning för dammsugning och -uppsamling ska du kontrollera att utrustningen är rätt monterad och används på korrekt sätt. Användning av dammuppsamling kan minska dammrelaterade risker.
  - Låt inte erfarenheten som uppnås vid frekvent användning av verktyg låta dig bli för självsäker och ignorera verktygsäkerhetsprinciperna. En oförsiktig handling kan orsaka allvarliga skador under bråkdelen av en sekund.
- ### 4. Användning och skötsel av elverktyg
- Överbelasta inte elverktyget. Använd rätt elverktyg för ditt arbete. Det korrekta elverktyget gör arbetet bättre och säkrare vid den hastighet för vilket det konstruerades.
  - Använd inte elverktyget om det inte går att starta och stänga av det med strömbrytaren. Ett elverktyg som inte kan kontrolleras med strömbrytaren är farligt och måste repareras.
  - Dra ur kontakten från strömkällan och/eller ta bort batteriet från elverktyget, om det går att ta bort, innan du gör några justeringar, byter tillbehör eller lägger elverktygen till förvaring. Sådana förebyggande säkerhetsåtgärder minskar risken att oavsiktligt starta elverktyget.

- d. **Förvara elverktyg utom räckhåll för barn. Låt inte elverktyget användas av personer som inte är vana vid det, eller som inte läst denna bruksanvisning.** Elverktyg är farliga i händerna på ovana användare.
- e. **Underhåll elverktyg och tillbehör. Kontrollera att rörliga komponenter fungerar felfritt och inte kärvar, att komponenter inte gått sönder eller skadats och inget annat föreligger som kan påverka elverktygets funktion. Om det är skadat, se till att elverktyget blir reparerat före användning.** Många olyckor orsakas av dåligt underhållna elektriska verktyg.
- f. **Håll skärverktyg vassa och rena.** Korrekt underhållna kapverktyg med vassa skär är mindre troliga att de fastnar och är lättare att kontrollera.
- g. **Använd elverktyget, tillbehör, insatsverktyg osv. enligt dessa anvisningar och på sätt som föreskrivs för aktuell verktygsmodell. Ta hänsyn till arbetsvillkoren och arbetsmomenten.** Användning av elverktyget för andra uppgifter än vad som avsetts kan resultera i farliga situationer.
- h. **Håll handtagen och greppytorna torra, rena och fria från olja och fett.** Hala handtag och greppyor förhindrar säker hantering och kontroll av verktyget i oväntade situationer.

## 5. Service

- a. **Låt elverktyget endast repareras av kvalificerad fackpersonal och med originalreservdelar.** Detta säkerställer att elverktygets säkerhet bibehålls.

## Ytterligare säkerhetsanvisningar för elverktyg

- **Vänta tills hyvelstålet har stannat innan du sätter ned verktyget.** Ett hyvelstål som inte är skyddat kan hugga tag i ytan och göra att du förlorar kontrollen med allvarliga skador som följd.
- **Håll elverktyget i de isolerade greppytorna eftersom det finns risk för att hyvelstålet kommer i kontakt med sin egen nätssladd.** Kapning av en strömförande ledning kan exponera metalldelar hos elverktyget som kan ge operatören elektriska stötar.
- **Använd klämmor eller något annat praktiskt sätt att stödja arbetsstycket mot ett stabilt underlag.** Om du håller fast arbetsstycket med handen eller trycker det mot kroppen blir det instabilt och du kan förlora kontrollen.
- **Använd en skyddsmask.**
- **Håll hyvelstålet välslipat.** Slöa eller skadade hyvelstål kan orsaka att hyveln kastas åt sidan eller stannar helt när den belastas. Använd alltid rätt typ av hyvelstål för elverktyget.
- Vidrör inte arbetsstycket eller hyvelstålet direkt efter hyvling. De kan bli mycket heta.
- Ta bort alla spikar och metallföremål från arbetsstycket innan du hyvlar.
- Verktyget ska endast hållas med händerna och i handtagen.
- Dra omedelbart ur sladden om den skadas eller sågas av.



**Varning!** Hyvling ger upphov till damm som kan skada den som använder verktyget och andra i närheten vid kontakt eller inandning. Använd en specialkonstruerad skyddsmask som skyddar mot damm och ångor och se till att personer som vistas inom eller i närheten av arbetsområdet också är skyddade.

- Verktyget ska inte användas av personer (inklusive barn) med nedsatt fysisk eller mental förmåga eller bristande erfarenhet och kunskap om de inte får vägledning och övervakas av en person som ansvarar för deras säkerhet. Barn bör övervakas för att garantera att de inte leker med apparaten.
- Avsedd användning beskrivs i denna bruksanvisning. Om andra tillbehör eller tillsatser används, eller om någon annan åtgärd än de som rekommenderas i den här bruksanvisningen utförs med verktyget, kan personer och/eller egendom ta skada.

## Säkerhet för andra

- Denna apparat är inte avsedd att användas av personer (inklusive barn) med minskad fysisk, sensorisk eller mental förmåga eller med begränsad erfarenhet eller kunskap såvida de inte är under uppsikt eller fått instruktioner om användning av apparaten av en person som är ansvarig för deras säkerhet.
- Barn bör övervakas för att garantera att de inte leker med apparaten.

## Återstående risker

Ytterligare risker som inte finns med i de bifogade säkerhetsanvisningarna kan uppstå när verktyget används. Dessa risker kan uppstå vid felaktig eller långvarig användning, etc.

Även om alla relevanta säkerhetsanvisningar följs och säkerhetsanordningar används kan vissa ytterligare risker inte undvikas. Dessa omfattar:

- Skador orsakade av att roterande/rörliga delar vidrörs.
- Skador som uppstår vid byte av delar, blad eller tillbehör.
- Skador som orsakas av långvarig användning av ett verktyg. Se till att regelbundet ta vilopausar när du använder ett verktyg under en längre period.
- Hörselnedsättning.
- Hälsorisker orsakade av inandning av damm när redskapet används (exempel: arbete med trä, särskilt ek, bok och MDF)

## Vibrationer

De vibrationsvärden som anges i avsnitten Tekniska data och deklarationen om överensstämmelse har uppmätts i enlighet med en standardtestmetod föreskriven i EN62841 och kan användas för jämförelse med andra verktyg. Det angivna vibrationsvärdet kan även användas för en preliminär bedömning av exponeringen.



**Varning!** Vibrationsvärdet under faktisk användning av elverktyget kan skilja sig från det uppgivna värdet beroende på hur verktyget används. Vibrationsnivån kan överstiga den uppgivna nivån.

Vid uppskattningar av exponering för vibrationer i syfte att bedöma vilka säkerhetsåtgärder som är nödvändiga enligt 2002/44/EG för att skydda personer som regelbundet använder elverktyg i arbetet ska man utgå från de faktiska omständigheter under vilka elverktyget används och sättet på vilket det används. Bedömningen ska även ta hänsyn till alla moment i arbetscykeln, t.ex. när verktyget är avstängt och när det går på tomgång såväl som när det faktiskt används.

### Etiketter på verktyget

Följande varningssymboler finns på verktyget, tillsammans med datumkod:



**Varning!** Läs bruksanvisningen före användning för att minska risken för personskador.

### Elsäkerhet



Eftersom verktyget är dubbelisolerat behövs ingen jordledare. Kontrollera alltid så att spänningen på nätet motsvarar den spänning som finns angiven på märkplåten.

- Om nätsladden är skadad måste den bytas ut av tillverkaren eller ett auktoriserat BLACK+DECKER-servicecenter för att undvika farliga situationer.

### Funktioner

Detta verktyg har några eller samtliga av följande funktioner.

1. Strömbrytare
2. Låsknapp
3. Spänöppning
4. Väljare för utkastaröppning för hyvelspån
5. Ratt för inställning av hyveldjup
6. Skärdjupskala

### Montering



**Varning!** Se till att verktyget är avstängt och att det inte är anslutet innan monteringen börjar.

### Byta ut hyvelstålen (Fig. A)

Hyvelstålen som medföljer det här verktyget är vändbara. Nya hyvelstål hittar du hos din lokala återförsäljare.

### Borttagning

- Lossa skruvarna (7) med den bifogade nyckeln.
- Skjut ut stålet (8) från hållaren.
- Vänd stålet så att den oanvända sidan kommer i läge. Byt ut bladet om båda sidor har använts.

### Fastsättning

- Skjut tillbaka stålet i hållaren tills det tar stopp.
- Dra åt bultarna med hjälp av den medföljande nyckeln.



**Varning!** Byt alltid ut båda stålen.

### Justera skärdjupet (Fig. B)

Skärdjupet visas av markeringen (9). Inställningsintervallet kan avläsas på skalan (6).

- Vrid ratten för inställning av hyveldjup (5) till önskat skärdjup.
- Vrid ratten till läge 'P' när verktyget inte används.

### Montera och ta bort parallellanslaget (bild C)

Parallellanslaget används för optimal kontroll vid smala arbetsstycken.

- Skruva in ratten (11) i hålet på sidan av hyveln och dra åt ordentligt.
- Lossa parallellanslagets justeringsratt (10).
- Skjut parallellanslaget till önskad position.
- Dra åt parallellanslagets justeringsratt ordentligt.

**Obs!** Parallellanslaget bör inte vara lägre än hyveln när det är korrekt installerat.

- Ta bort parallellanslaget genom att följa anvisningarna i omvänd ordning.

### Ansluta en dammsugare till verktyget (Fig. D)

För att ansluta en dammsugare till verktyget krävs en adapter. Adaptern finns att köpa hos din Black & Decker-återförsäljare.

- Dra adaptern (12) över utkastaröppningen för hyvelspån (3).
- Anslut dammsugarslangen (13) till adaptern.

### Montera hyvelspånsbehållaren (Fig. E)

Hyvelspånsbehållaren är särskilt användbar när du arbetar i tränga utrymmen.

- Skjut behållarens anslutningsplatta (14) över en av utkastaröppningarna för hyvelspån (3).
- Genom att dra väljaren för utkastaröppning för hyvelspån (4) till motsatta sidan förhindrar du att hyvelspån kastas ut där ingen behållare finns.

### Tömma hyvelspånsbehållaren

Hyvelspånsbehållaren bör tömmas regelbundet vid användning för att förhindra stopp i utkastet.

- Öppna dragkedjan och töm påsen innan du fortsätter.

### Användning



**Varning!** Låt verktyget arbeta i sin egen takt. Överbelasta inte.

- Ställ in fräsdjupet.
- Montera och ställ in parallellanslaget vid behov.

### Slå på och stänga av

#### Slå på

- Håll ned låsknappen (2) och tryck på strömbrytaren (1).
- Släpp låsknappen.

#### Stänga av

- Släpp strömbrytaren.

### Hyvling

- Håll verktyget med framdelen av plattan tryckt mot ovasidan av arbetsstyckets yta.
- Slå på verktyget.
- Flytta verktyget stadigt framåt för att utföra hyvlingen.
- Stäng av verktyget när hyvlingen har avslutats.

### Falsning (Fig. F)

- Montera och ställ in parallellanslaget.
- Arbeta vidare som vid hyvling.

### Avfasningskanter (Fig. G)

De V-formade spåren i framkant gör att du kan fasa kanter i vinklarna 45°, 30° och 15°.



- Håll verktyget i en vinkel med önskat spår (20) mot arbetsstyckets kant och utför falsningen.

### Parkeringsstöd (Fig. H)

Hyveln är utrustad med ett parkeringsstöd (21) som automatiskt fälls ned när verktyget lyfts upp från arbetsytan. Vid hyvling höjs parkeringsstödet upp när verktyget skjuts framåt. När parkeringsstödet är nedfällt kan hyveln placeras på arbetsytan utan att hyvelstålet vidrör den.

### Tips för optimal användning

- Förflytta verktyget i virkets fiberriktning.
- Om fiberriktningen är diagonal eller vågig eller om arbetsmaterialet är av hårt virke justerar du skärdjupet så att mycket tunna spån hyvlas varje gång. Gör sedan flera körningar för att uppnå önskat resultat.
- Genom att pressa ned verktygets främre del vid starten och dess bakre del vid slutet av hyvlingen hålls verktyget i en rak linje.

### Tillbehör

Verktygets prestanda beror på vilka tillbehör du använder. Tillbehör från Black & Decker och Piranha håller hög kvalitet och är konstruerade för att fungera optimalt med verktyget. Genom att använda dessa tillbehör får du ut mesta möjliga av verktyget.

Följande typer av hyvelstål hittar du hos din lokala återförsäljare:

- Vändbara hyvelstål med karbidspets i tungsten (artikelnr. X35007, levereras i par)
- Vändbara hyvelstål i snabbstål (artikelnr. X24192-XJ11, levereras i par)

### Underhåll

Detta BLACK+DECKER-verktyg har konstruerats för att fungera under lång tid med ett minimum av underhåll. Med rätt underhåll och regelbunden rengöring behåller verktyget sin prestanda.



**Varning!** Koppla loss laddaren innan du utför något underhåll på verktyget. Dra ur sladden till laddaren innan du rengör den.

- Rengör regelbundet ventilationsöppningarna i verktyget med en mjuk borste eller torr trasa.
- Rengör motorhöljet regelbundet med en fuktig trasa. Använd aldrig något slipande eller lösningsmedelsbaserat rengöringsmedel.

### Ersätta drivremmen (Fig. I)

- Lossa skruvarna (15) och ta bort kåpan (16).
- Ta av den gamla drivremmen.
- Sätt den nya remmen (17) över rullarna. Sätt remmen över den stora rullen (18) först, sedan över den lilla rullen (19) medan du manuellt vrider remmen.
- Sätt tillbaka kåpan och dra åt skruvarna.

### Kontroll och byte av motorborstar (Fig. J)

Kontrollera regelbundet om borstarna är slitna.

- Ta bort borstlocket (22). Borstarna ska glida fritt i borsthuset. Om borstarna är nedslitna till 0,3" (8 mm) ska de bytas ut.

Montera en ny borste genom att trycka in den i borsthuset. Sätt in nya borstar i samma riktning som när borsten togs bort. Sätt tillbaka borsthöljet (skruva inte åt det för hårt).

### Skydda miljön



Separat insamling. Produkter och batterier som är markerade med denna symbol får inte kastas i de vanliga hushållssoporna.

Produkterna och batterierna innehåller material som kan återvinnas eller återanvändas, vilket sänker behovet av råmaterial.

Återvinn elektriska produkter och batterier enligt lokala föreskrifter. Närmare information finns tillgänglig på [www.2helpU.com](http://www.2helpU.com)

### Tekniska data

		KW750 (Typ 5)
Inspänning	$V_e$	230
Ineffekt	V	750
Obelastat varvtal	min <sup>-1</sup>	16 500
Hyvelbredd	mm	82
Hyveldjup	mm	2
Falsningsdjup	mm	12
Vikt	kg	2.9

Totala vibrationsvärden (vektorsumman av tre axlar) enligt EN62841:	
Vibrationsvärde (a <sub>v</sub> )	4,7 m/s <sup>2</sup>
osäkerhet (K)	1,5 m/s <sup>2</sup>

Ljudtrycksnivå enligt EN62841:	
Ljudtryck (L <sub>WA</sub> )	86,0 dB(A), osäkerhet (K) 3 dB(A)
Ljudtryck (L <sub>WA</sub> )	97,0 dB(A), osäkerhet (K) 3 dB(A)

## EG-försäkran om överensstämmelse

MASKINDIREKTIVET



KW750 Hyvel

Black & Decker försäkrar att dessa produkter, beskrivna under "tekniska data" uppfyller:  
EN62841-1:2015, EN62841-2-14:2015.

Dessa produkter överensstämmer även med direktiven 2006/42/EG, 2014/30/EU och 2011/65/EU. Kontakta Black & Decker för ytterligare information på följande adress, eller se handbokens baksida.

Undertecknad är ansvarig för sammanställningen av den tekniska filen och lämnar denna deklARATION på uppdrag av Black & Decker .

A. P. Smith  
Technical Director of Engineering  
Black & Decker Europe, 270 Bath Road, Slough,  
Berkshire, SL1 4DX, Storbritannien  
2019-04-30

## Garanti

Black & Decker är säkra på kvaliteten hos denna produkt och erbjuder kunder 24 månaders garanti från inköpsdatumet. Garantin gäller utöver konsumentens rättigheter enligt lag och påverkar inte dessa. Garantin är giltig i de områden som tillhör medlemsstaterna i Europeiska unionen och det europeiska frihandelsområdet.

För yrkande under garantin måste yrkandet vara in enlighet med Black & Deckers villkor och du kommer att behöva skicka in bevis på köpet till försäljaren eller en auktoriserad reparatör.

Villkoren för Black & Deckers tvååriga garanti och var du hittar din närmaste auktoriserade reparatör kan erhållas på internet på [www.2helpU.com](http://www.2helpU.com), eller genom att kontakta ditt lokala Black & Decker-kontor på adressen som anges i denna manual.

Besök vår webbplats [www.blackanddecker.co.uk](http://www.blackanddecker.co.uk) för att registrera din nya Black & Decker-produkt och få uppdateringar för nya produkter och specialerbjudanden.

## Tiltent bruk

Høvelen fra BLACK+DECKER KW750 er konstruert for høvling av treverk, treprodukter og plast. Verktøyet er beregnet for håndholdt bruk. Dette verktøyet er bare ment som et forbrukerverktøy.

## Sikkerhetsinstruksjoner

### Generelle sikkerhetsadvarsler for elektroverktøy



**Advarsel! Les alle sikkerhetsanvisninger, instruksjoner, illustrasjoner og spesifikasjoner som følger dette elektriske verktøyet.** Manglende overholdelse av instruksjonene som er listet opp under kan resultere i elektrosjokk, ild og/eller alvorlig skade.

**Ta vare på alle advarsler og instruksjoner for fremtidig bruk.** Begrepet «elektroverktøy» i advarslene nedenfor gjelder nettdrevet elektroverktøy (med ledning) eller batteridrevet elektroverktøy (uten ledning).

#### 1. Sikkerhet i arbeidsområdet

- Hold arbeidsområdet rent og godt opplyst.** Rotete eller mørke områder er en invitasjon til ulykker.
- Ikke bruk verktøy i eksplosive omgivelser, slik som i nærheten av antenneløse væsker, gasser eller støv.** Elektrisk verktøy skaper gnister som kan antenne støv eller gasser.
- Hold barn og andre personer unna når du bruker et elektroverktøy.** Hvis du blir forstyrret under arbeidet, kan du miste kontrollen.

#### 2. Elektrisk sikkerhet

- Støpselet til elektroverktøy må passe i stikkkontakten. Aldri modifierer støpselet på noen måte. Ikke bruk adapterstøpsler til jordede elektriske verktøy.** Umodifiserte støpsler og stikkontakter som passer vil redusere risikoen for elektrisk sjokk.
- Unngå kroppskontakt med jordede overflater som rør, radiatorer, komfyrer og kjøleskap.** Det er økt fare for elektrisk støt dersom kroppen din er jordet.
- Hold elektroverktøy unna regn eller fuktighet.** Dersom det kommer vann i et elektroverktøy, øker faren for elektrisk støt.
- Unngå uforsvarlig behandling av ledningen. Aldri bruk ledningen til å bære, trekke eller dra ut støpselet til det elektriske verktøyet. Hold ledningen borte fra varme, olje, skarpe kanter eller bevegelige deler.** Skadede eller innviklede ledninger øker risikoen for elektrisk sjokk.
- Når du bruker et elektroverktøy utendørs, må du bruke en skjøteledning som er egnet for utendørs bruk.** Når du bruker en skjøteledning som er egnet for utendørs bruk, reduseres risikoen for elektrisk støt.
- Dersom bruk av et elektrisk verktøy på et fuktig sted er unngåelig, bruk en strømkilde med jordfeilbryter (RCD).** Bruk av jordfeilbryter (RCD) reduserer risikoen for elektrisk støt.

#### 3. Personlig sikkerhet

- Vær oppmerksom, pass på hva du gjør, og vis fornuft når du arbeider med et elektroverktøy. Ikke bruk et elektrisk verktøy dersom du er trøtt eller er påvirket av medikamenter, narkotika eller alkohol.** Ett øyeblikks uoppmerksomhet under bruk av elektriske verktøy kan føre til alvorlig personskade.
  - Bruk personlig verneutstyr. Bruk alltid vernebriller.** Verneutstyr slik som støvmaske, sklisliske vernesko, hjelm, eller hørselsvern brukt under passende forhold vil redusere personskader.
  - Unngå utilsiktet oppstart. Kontroller at bryteren står i posisjon «av» før du kobler til strømkilden og/eller batteripakken, og før du tar opp eller bærer verktøyet.** Å bære elektriske verktøy med fingeren på bryteren eller å sette inn støpselet mens elektriske verktøy har bryteren på øker faren for ulykker.
  - Fjern eventuelle justeringsnøkler før du slår på det elektriske verktøyet.** En nøkkel som er festet til en roterende del av det elektriske verktøyet kan føre til personskade.
  - Ikke strekk deg for langt. Ha godt fotfeste og stå støtt hele tiden.** Dette fører til at du har bedre kontroll over det elektriske verktøyet ved uventede situasjoner.
  - Bruk egnet antrekk. Ikke ha på deg løstsittende klær eller smykker. Hold hår og klær borte fra bevegelige deler.** Løstsittende klær, smykker og langt hår kan bli fanget opp av bevegelige deler.
  - Hvis det kan monteres støvavsug- og oppsamlingsinnretninger, må du forvisse deg om at disse er tilkoblet og brukes på riktig måte.** Bruk av støvopsamlere kan redusere støvrelaterte farer.
  - Ikke la erfaring med hyppig bruk av verktøy la deg bli likegyldig og ignorere verktøyet sikkerhetsregler.** En uforsiktig handling kan føre til alvorlig personskade på brøkdelen av et sekund.
- #### 4. Bruk og vedlikehold av elektriske verktøy
- Ikke bruk makt på elektroverktøyet. Bruk det elektriske verktøyet som situasjonen krever.** Det riktige elektriske verktøyet vil gjøre jobben bedre og tryggere ved den hastigheten det ble konstruert for.
  - Ikke bruk elektroverktøyet hvis du ikke kan slå det på og av med bryteren.** Ethvert elektrisk verktøy som ikke kan kontrolleres med bryteren er farlig og må repareres.
  - Trekk støpselet ut av stikkkontakten og/eller koble fra batteripakken, hvis den er avtakbar, fra elektroverktøyet før du foretar noen justeringer, endrer tilbehør eller lagrer elektroverktøy.** Slike preventive sikkerhetsforanstaltninger reduserer risikoen for å starte det elektriske verktøyet ved et uhell.

- d. **Elektroverktøy som ikke er i bruk, må oppbevares utilgjengelig for barn. Ikke la verktøyet bli brukt av personer som ikke er fortrolig med det, eller som ikke har lest denne bruksanvisningen.** Elektriske verktøy er farlige i hendene på utrenede brukere.
- e. **Sørg for vedlikehold av elektroverktøy og tilbehør. Undersøk om bevegelige deler er feiljustert eller blokkert, om deler er skadet, og om det er andre forhold som kan påvirke elektroverktøyet funksjon. Dersom det er skadet, få verktøyet reparert før neste bruk.** Mange ulykker forårsakes av dårlig vedlikeholdte verktøy.
- f. **Hold skjæreverktøy skarpe og rene.** Godt vedlikeholdte skjæreverktøy med skarpe skjærekanter setter seg mindre sannsynlig fast og er lettere å kontrollere.
- g. **Bruk elektroverktøy, tilbehør, bits osv. i henhold til disse instruksjonene. Ta hensyn til arbeidsforholdene og arbeidet som skal utføres.** Bruk av det elektriske verktøyet for oppgaver som er forskjellige fra de som er tiltenkt kan føre til en farlig situasjon.
- h. **Hold håndtakene og gripeflatene tørre, rene og frie for olje og fett.** Glatte håndtak og gripeflater forhindrer trykk håndtering og kontroll av verktøyet i uventede situasjoner.

## 5. Service

- a. **Elektroverktøy skal alltid repareres av kvalifisert personell og bare med originale reservedeler.** Dette vil sikre at verktøyet sikkerhet blir ivarettatt.

## Ytterligere sikkerhetsadvarsler for elektroverktøy

- **Vent til bladene stopper før du setter verktøyet ned.** En eksponert kutter kan skjære i underlaget og føre til mulig tap av kontroll og alvorlig personskade.
- **Hold elektroverktøyet i de isolerte gripeoverflatene fordi fresekutteren kan komme i kontakt med sin egen ledning.** Kapping av en strømførende ledning kan føre til at eksponerte metalldele på elektroverktøyet blir strømførende, og kan gi operatøren støt.
- **Bruk tvinger eller annen praktisk måte å sikre og holde arbeidsstykket på et stabilt underlag.** Å holde arbeidsstykket i hånden eller mot kroppen gjør det ustabil eller føre til tap av kontroll.
- **Bruk en støvmaske.**
- **Hold bladene skarpe.** Sløve eller skadde blader kan få høvelen til å skjene eller stanse under press. Bruk alltid riktig type blad for elektroverktøyet.
- Ikke berør arbeidsstykket eller bladene straks etter at du har brukt verktøyet. De kan bli svært varme.
- Fjern alle spiker og metallgjenstander fra arbeidsstykket før høvling.
- Hold alltid verktøyet med begge hender i håndtakene som er beregnet for dette.
- Ta umiddelbart ledningen ut av støpselet hvis den blir skadet eller kuttet av.



**Advarsel!** Kontakt med eller innånding av støv som oppstår ved høvling, kan være helseskadelig for brukeren og eventuelle personer i nærheten. Bruk en støvmaske som er spesielt utformet for å beskytte mot støv og damp/gass, og pass på at personer som er i eller kommer inn i arbeidsområdet, også er beskyttet.

- Det er ikke meningen at dette verktøyet skal brukes av personer (inkludert barn) med reduserte fysiske, sensoriske eller mentale evner, eller personer som mangler erfaring og kunnskap, med mindre de har mottatt oppløring eller instruksjon når det gjelder bruken av apparatet, fra en person som er ansvarlig for deres sikkerhet. Barn må holdes under oppsyn, sørg for at de ikke leker med apparatet.
- Bruksområdet er beskrevet i denne bruksanvisningen. Hvis du bruker annet tilbehør, kobler til annet utstyr eller bruker dette produktet til andre oppgaver enn det som er anbefalt i denne håndboken, kan det medføre fare for personskader og/eller skade på eiendom.

## Andre personers sikkerhet

- Apparatet er ikke ment for bruk av personer (inkludert barn) med redusert fysiske, sensoriske eller mentale evner, eller mangel på erfaring og kunnskap, med mindre de får tilsyn eller har blitt opplært i bruk av apparatet av en person ansvarlig for deres sikkerhet.
- Barn må holdes under oppsyn, sørg for at de ikke leker med apparatet.

## Restrisikoer

Når verktøyet brukes, kan det oppstå ytterligere risikoer som kanskje ikke er beskrevet i de medfølgende sikkerhetsadvarslene. Disse risikoene kan bli forårsaket av feil bruk, langvarig bruk osv.

Selv om de relevante sikkerhetsbestemmelsene blir fulgt, og sikkerhetstiltakene blir gjennomført, kan visse gjenværende risikoer ikke unngås. Disse inkluderer:

- Personskader som forårsakes av berøring av en roterende/bevegelig del.
- Personskader som forårsakes av at en del, et blad eller tilbehør endres.
- Personskader som forårsakes av langvarig bruk av et verktøy. Når du bruker et verktøy i lange perioder, må du sørge for å ta regelmessige pauser.
- Hørselskader.
- Helsefarer som skyldes innånding av støv som dannes når du bruker verktøyet (for eksempel under arbeid med tre, spesielt eik, bok og MDF.)

## Vibrasjon

Vibrasjonsemissionsverdien som er angitt under tekniske data og samsvarserklæring, er blitt målt i henhold til en standard testmetode som er angitt i EN62841, og kan brukes til å sammenligne et verktøy med et annet. Den oppgitte vibrasjonsemissionsverdien kan også brukes til en foreløpig vurdering av eksponering.



**Advarsel!** Vibrasjonsemissjonsverdien under faktisk bruk av elektroverktøyet kan avvike fra den oppgitte verdien avhengig av måten verktøyet blir brukt på. Vibrasjonsnivået kan øke over nivået som er oppgitt.

Under vurdering av vibrasjonseksponering for å bestemme sikkerhetstiltak som kreves i 2002/44/EF for å beskytte personer som bruker elektroverktøy regelmessig i arbeidet, skal det tas hensyn til de faktiske bruksforholdene og måten verktøyet blir brukt på. Dette gjelder alle deler av bruksyklusen – også de gangene verktøyet er slått av, når det går på tomgang, samt tiden utløseren er inne.

### Etiketter på verktøyet

Følgende advarselssymboler vises på verktøyet sammen med datokoden:



**Advarsel!** Brukeren må lese håndboken for å redusere risikoen for personskade.

### Elektrisk sikkerhet



Dette verktøyet er dobbeltisoleret. Jording er derfor ikke nødvendig. Kontroller alltid at strømforsyningen samsvarer med spenningen på merkeskiltet.

- Hvis strømledningen blir skadet, må den byttes av produsenten eller et autorisert BLACK+DECKER-servicesenter for å unngå fare.

### Funksjoner

Dette verktøyet har noen av eller alle følgende egenskaper.

1. På-/av-bryter
2. Låseknapp
3. Utløp for spon
4. Velger for sponutmatingsutgang
5. Justeringsknott for høveldebydde
6. Gradering av høveldebydde

### Montering



**Advarsel!** Før monteringen må du passe på at verktøyet er slått av, og at støpselet er trukket ut.

### Skifte kutteblader (figur A)

Kuttebladene som følger med dette verktøyet, kan snus. Du kan kjøpe nye kutteblader hos din lokale forhandler.

### Demontering

- Løsne boltene (7) ved hjelp av den vedlagte fastnøkkelen.
- Skyv bladet (8) ut av holderen.
- Snu bladet, så den ubrukte siden kommer i posisjon. Hvis begge sidene er brukt, må bladet skiftes.

### Montering

- Skyv bladet inn i holderen til endepunktet.
- Stram skruene med nøkkelen som følger med.



**Advarsel!** Bytt alltid begge bladene.

### Justere skjæredybden (figur B)

Skjæredybden er indikert med merkingen (9). Innstillingsområdet kan leses av på skalaen (6).

- Drei justeringsknotten (5) for høveldebydde til ønsket skjæredybde.
- Drei knotten til stillingen "P" når verktøyet ikke er i bruk.

### Montering og demontering av parallellguiden (figur C)

Parallellguiden brukes for å gi best mulig kontroll over smale arbeidsstykker.

- Skru knotten (11) inn i hullet på siden av høvelen, og stram godt.
- Løsne justeringsknotten (10) for parallellguiden.
- Skyv parallellguiden til den ønskede stillingen.
- Stram justeringsknotten for parallellguiden godt.

**Merknad:** Parallellguiden skal være under høvelen når den er montert riktig.

- Når du skal fjerne parallellguiden, går du frem i omvendt rekkefølge.

### Koble en støvsuger til verktøyet (figur D)

Du trenger en adapter for å koble en støvsuger eller et støvavtrekk til verktøyet. Du kan kjøpe en adapter hos din lokale Black & Decker-forhandler.

- Skyv adapteren (12) over sponutmatingsutgangen (3).
- Koble støvsugerslangen (13) til adapteren.

### Montere sponoppsamlingsposen (figur E)

Sponoppsamlingsposen er spesielt nyttig når det er begrenset plass der du arbeider.

- Skyv festeplaten (14) til posen over en av sidene på sponutmatingsutgangen (3).
- For å hindre at det kommer spon ut av den andre siden av sponutmatingsutgangen flytter du velgeren (4) for sponutmatingsutgang til den motsatte siden av posen.

### Tømme sponoppsamlingsposen

Sponoppsamlingsposen skal tømmes regelmessig under bruk, så du unngår blokkering.

- Åpne posen og tøm den før du fortsetter.

### Bruk



**Advarsel!** La verktøyet arbeide i sin egen hastighet. Må ikke overbelastes.

- Juster fresdybden.
- Om nødvendig, sett på og juster parallellføringen.

### Slå på og av

#### Slå på

- Hold utløserknappen (2) inne, og trykk på på/av-knappen (1).
- Slipp utløserknappen.

#### Slå av

- Slipp av/på-knappen.

### Høvling

- La tuppen av foten hvile oppå arbeidsstykket.
- Skru verktøyet på.
- Beveg verktøyet jevnt fremover for utføre kuttebevegelsen.
- Slå verktøyet av etter at bevegelsen er fullført.

**False (figur F)**

- Sett på og juster parallellføringen.
- Gå frem som ved høvling.

**Skråkanter (figur G)**

V-sporet i tuppen av foten gjør det mulig å skråskjære kanter med vinkel på 45°, 30° og 15°.

- Hold verktøyet i en vinkel med det ønskede sporet (20) rundt kanten av arbeidsstykket, og utfør kuttebevegelsen.

**Parkeringsstøtte (figur H)**

Høvelen er utstyrt med en parkeringsstøtte (21) som senkes på plass automatisk når verktøyet løstes fra arbeidsflaten.

Når du høvler, heves parkeringsstøtten når verktøyet skyves fremover. Når parkeringsstøtten er senket, kan høvelen settes på arbeidsflaten uten at bladet berører den.

**Råd for optimal bruk**

- Beveg verktøyet i treets fiberretning.
- Hvis fibreene er grove eller buet, eller hvis materialet i arbeidsstykket er hardt tre, justerer du skjæredybden, slik at du bare høvler svært tynt ved hver bevegelse og utfører flere bevegelser for å oppnå det ønskede resultatet.
- For å bevege verktøyet i rett linje trykker du ned foran på verktøyet ved starten og trykker ned baksiden av verktøyet ved slutten av kuttebevegelsen.

**Tilbehør**

Verktøyets ytelse avhenger av hva slags tilbehør som brukes. Tilbehør fra Black & Decker og Piranha er produsert etter høye kvalitetsstandarder og er konstruert for å bedre verktøyets ytelse. Hvis du bruker dette tilbehøret, får du mest mulig ut av verktøyet ditt.

Du kan kjøpe disse typene kutteblader hos din lokale forhandler:

- Vendbare kutteblader med wolframkarbidtupp (delenr. X35007, leveres i par)
- Vendbare kutteblader av høyhastighetsstål (delenr. X24192-XJ11, leveres i par)

**Vedlikehold**

BLACK+DECKER-verktøyet ditt er konstruert for å være i drift over lengre tid med et minimum av vedlikehold. For at det skal fungere tilfredsstillende over tid, er det viktig å sørge for riktig stell av verktøyet og regelmessig renhold.



**Advarsel!** Før du utfører vedlikehold på verktøyet, må du trekke ut støpselet på verktøyet. Trekk ut laderen fra stikkkontakten før du rengjør den.

- Rengjør ventilasjonsåpningene i verktøyet jevnlig med en myk børste eller tørr klut.
- Rengjør motorhuset regelmessig med en fuktig klut. Ikke bruk slipende eller løsemiddelbaserte rengjøringsmidler.

**Bytte drivremmen (figur I)**

- Løsne skruene (15) og fjern dekselet (16).
- Fjern den gamle drivremmen.

- Plasser den nye drivremmen (17) over remskivene. Sett belte på den store skiven (18) først og deretter på den lille skiven (19), mens du dreier remmen jevnt manuelt.
- Sett dekselet tilbake på plass, og stram skruene.

**Kontroll og bytte av motorbørster (figur J)**

Børstene bør kontrolleres for slitasje regelmessig.

- Fjern børstehetten (22). Børstene skal gli fritt i børstekassen. Hvis børstene er slitt ned til 0.3" (8 mm), skal de byttes.

Skyv en ny børste tilbake inn i børstekassen for å montere. Hvis du erstatter en eksisterende børste, beholder du orienteringen til den som ble fjernet. Sett på plass børstehetten (ikke stram for mye).

**Miljøvern**

Separat avfallshåndtering. Produkter og batterier merket med dette symbolet skal ikke kastes i vanlig husholdningsavfall.

Produkter og batterier inneholder materialer som kan gjenbrukes eller gjenvinnes for å redusere behovet for nye råmaterialer.

Vennligst lever elektrisk utstyr og batterier til gjenbruk i henhold til lokale retningslinjer. Mer informasjon finner du på [www.2helpU.com](http://www.2helpU.com)

**Tekniske data**

		KW750 (Type 5)
Inngangsspenning	V <sub>e</sub>	230
Inngangseffekt	A	750
Ubelastet hastighet	min <sup>-1</sup>	16 500
Høvelbredde	mm	82
Høveldybde	mm	2
Fasingsdybde	mm	12
Vekt	kg	2,9

**Totale vibrasjonsverdier (triaks vektorsum) bestemt i samsvar med EN62841:**

Vibrasjonsemisjonsverdi (a<sub>w</sub>) 4,7 m/s<sup>2</sup>

usikkerhet (K) 1,5 m/s<sup>2</sup>

**Lydtryknivå i henhold til EN62841:**

Lydtrykk (L<sub>w</sub>) 86,0 dB(A), usikkerhet (K) 3 dB(A)

Lyd effekt (L<sub>wa</sub>) 97,0 dB(A), usikkerhet (K) 3 dB(A)

**EF-samsvarserklæring**  
MASKINDIREKTIVET

KW750 Høvelen

Black & Decker erklærer at disse produktene, som er beskrevet under "Tekniske data", er i samsvar med: EN62841-1:2015, EN62841-2-14:2015.

Disse produktene er også i samsvar med direktiv 2006/42/EC, 2014/30/EU og 2011/65/EU. Hvis du ønsker mer informasjon, kan du kontakte Black & Decker på adressen under eller se baksiden av bruksanvisningen.

Undertegnede er ansvarlig for sammenstillingen av den tekniske filen og fremsetter denne erklæringen på vegne av Black & Decker.

A. P. Smith  
Teknisk utviklingsdirektør  
Black & Decker Europe, 270 Bath Road, Slough,  
Berkshire, SL1 4DX, Storbritannia  
30.04.2019

**Garanti**

Black & Decker er trygg på kvaliteten av produktene sine og tilbyr en 24 måneders garanti fra kjøpsdato. Denne garantierklæringen kommer i tillegg til dine lovbestemte rettigheter og er ikke i konflikt med disse. Garantien er gyldig innen områdene tilhørende medlemslandene i den Europeiske Union (EU) og det Europeiske Frihandelsområdet (EFTA).

For å ta garantien i bruk må kravet være i samsvar med kjøpsbetingelsene fra Black & Decker og du må vise kjøpskvittering til forhandleren eller til et autorisert serviceverksted.

Betingelsene for Black & Deckers 2 års garanti og adressen til din nærmeste autoriserte serviceverksted kan du finne på internett under [www.2helpU.com](http://www.2helpU.com), eller ved å kontakte ditt lokale Black & Decker-kontor på adressen angitt i denne bruksanvisningen.

Besøk nettstedet vårt på [www.blackanddecker.co.uk](http://www.blackanddecker.co.uk) for å registrere ditt nye Black & Decker-produkt og for å få informasjon om nye produkter og spesialtilbud.



## Tilsigtet brug

Din BLACK+DECKER KW750-høvl er designet til at høvle træ, træprodukter og plastic. Værktøjet er beregnet til håndholdt brug. Værktøjet er kun beregnet til privat brug.

## Sikkerhedsinstruktioner

### Generelle sikkerhedsadvarsler

#### vedrørende elværktøj



**Advarsel! Læs alle sikkerhedsadvarsler, instruktioner, illustrationer og specifikationer, der følger med dette elværktøj.** Manglende overholdelse af alle nedenstående instruktioner kan medføre elektrisk stød, brand og/eller alvorlige kvæstelser.

#### Gem alle advarsler og instruktioner til fremtidig reference.

Begrebet "elværktøj", der benyttes i nedenstående advarsler, henviser til netdrevne (med netledning) eller batteridrevne maskiner (uden netledning).

#### 1. Sikkerhed i arbejdsområdet

- Sørg for, at arbejdsområdet er rent og godt oplyst.** Rodede eller mørke områder giver anledning til ulykker.
- Brug ikke elværktøj i eksplosive omgivelser, f.eks. hvor der er brændbare væsker, gasser eller støv.** Elværktøj danner gnister, der kan antænde støv eller dampe.
- Hold børn og andre personer på afstand, når et elværktøj er i brug.** Distractioner kan medføre, at du mister kontrollen.

#### 2. Elektricitet og sikkerhed

- Elværktøjsstik skal passe til stikkontakten. Stikket må aldrig modificeres på nogen måde. Undlad at bruge adapterstik sammen med (jordforbundet) elektrisk værktøj.** Umodificerede stik og dertil passende stikkontakter reducerer risikoen for elektrisk stød.
- Undgå kropskontakt med jordforbundne overflader som f.eks. rør, radiatorer, komfurer og køleskabe.** Der er øget risiko for elektrisk stød, hvis din krop er jordforbundet.
- Elværktøj må ikke udsættes for regn eller fugt.** Hvis der trænger vand ind i et elektrisk værktøj, øges risikoen for elektrisk stød.
- Ødelæg ikke ledningen. Brug aldrig ledningen til at bære, trække værktøjet eller trække det ud af stikkontakten. Hold ledningen borte fra varme, olie, skarpe kanter og bevægelige dele.** Beskadede eller sammenfiltrede ledninger øger risikoen for elektrisk stød.
- Hvis elværktøj benyttes i det fri, skal der benyttes en forlængerledning, som er godkendt til udendørs brug.** Brug af en ledning, der er egnet til udendørs brug, reducerer risikoen for elektrisk stød.

- Brug en strømkilde med fejlstrømsbeskyttelse, hvis det er uundgåeligt at anvende elværktøj på fugtige steder.** Ved at benytte en fejlstrømsafbryder reduceres risikoen for elektrisk stød.

#### 3. Personssikkerhed

- Vær opmærksom, hold øje med, hvad du laver, og brug elværktøjet fornuftigt. Betjen ikke værktøjet, hvis du er træt, påvirket af narkotika, alkohol eller medicin.** Et øjeblik uopmærksomhed under anvendelse af et elektrisk værktøj kan forårsage alvorlige kvæstelser.
- Anvend personligt beskyttelsesudstyr. Bær altid beskyttelsesbriller.** Det er muligt at reducere risikoen for kvæstelser ved alt efter omstændighederne at anvende det passende sikkerhedsudstyr såsom en støvmaske, skridsikre sikkerhedssko, sikkerhedshjelm eller høreværn.
- Sørg for, at værktøjet ikke kan starte tilsigtet. Kontrollér, at afbryderkontakten står på slukket, inden værktøjet tilsluttes strømkilden og/eller batteriet, samles op eller bæres.** Når elektrisk værktøj bæres med fingeren på kontakten eller tilsluttes, når kontakten er tændt, giver det anledning til ulykker.
- Fjern indstillingsværktøj eller skruenøgle, inden elværktøjet tændes.** En skruenøgle eller anden nøgle, der bliver siddende på en roterende del af elektrisk værktøj, kan give anledning til personskade.
- Undlad at række for langt. Hold hele tiden en god fodstilling og balance.** Dette udgør at du har bedre kontrol over det elektriske værktøj, når uventede situationer opstår.
- Bær hensigtsmæssig påklædning. Bær ikke løst tøj eller smykker. Hold dit hår og tøj væk fra bevægelige dele.** Løstsiddende tøj, smykker eller langt hår kan blive fanget i bevægelige dele.
- Hvis støvudsugnings- og opsamlingsudstyr kan monteres, er det vigtigt, at dette tilsluttes og benyttes korrekt.** Anvendelse af støvopsamlingsudstyr kan begrænse farer forårsaget af støv.
- Lad ikke kendskab fra hyppig brug af værktøjer gøre dig uforsigtig og få dig til at ignorere principperne for værktøjsikkerhed.** En uforsigtig handling kan forårsage alvorlig personskade på en brøkdal af et sekund.

#### 4. Brug og vedligeholdelse af elværktøj

- Undgå at overbelaste elværktøjet. Brug det elværktøj, der er bedst egnet til det arbejde, der skal udføres.** Det korrekte elværktøj klarer opgaven bedre og mere sikkert med den effekt, som det er konstrueret til.

- b. **Brug ikke elværktøjet, hvis afbryderen er defekt.** Alt elektrisk værktøj, der ikke kan kontrolleres med kontakten, er farligt og skal repareres.
- c. **Træk stikket ud af stikkontakten og/eller fjern batterienheden fra det elektriske værktøj, hvis det kan udtages, før det elektriske værktøj justeres, dets tilbehør udskiftes, eller det stilles til opbevaring.** Sådanne forebyggende sikkerhedsforanstaltninger mindsker risikoen for, at værktøjet startes utilsigtet.
- d. **Opbevar ubenyttet elværktøj uden for børns rækkevidde. Elværktøjet må ikke bruges af personer, der ikke er fortrolige med det, eller som ikke har gennemlæst disse instruktioner.** El-værktøj er farligt i hænderne på personer, som ikke er instrueret i brugen deraf.
- e. **Elværktøj og tilbehør skal vedligeholdes. Kontroller, om bevægelige dele er skæve og ikke sidder fast, og om delene er brækket eller beskadiget, så elværktøjets funktion påvirkes. Hvis det elektriske værktøj er beskadiget, skal det repareres før brug.** Mange ulykker er forårsaget af dårligt vedligeholdt værktøj.
- f. **Sørg for, at skæreværktøjer er skarpe og rene.** Ordentligt vedligeholdt skæreværktøj med skarpe skærekanter har mindre tilbøjelighed til at binde og er lettere at styre.
- g. **Brug elværktøjet, tilbehøret, indsatsværktøj osv. i overensstemmelse med disse instruktioner under hensyntagen til arbejdsforholdene og arbejdet, der skal udføres med værktøjet.** Brug af elektrisk værktøj til andre opgaver end dem, det er beregnet til, kan resultere i en farlig situation.
- h. **Hold håndtagene og håndtagsfladerne tørre, rene og fri for olie og fedt.** Glatte håndtag og gribeflader giver ikke en sikker håndtering og kontrol af værktøjet i uventede situationer.

## 5. Service

- a. **Få altid elværktøjet repareret af kvalificerede fagfolk udelukkende med identiske reservedele.** Derved sikres det, at værktøjets driftssikkerhed opretholdes.

## Yderligere sikkerhedsadvarsler for elværktøj

- **Vent til cutteren stopper, før du sætter værktøjet ned.** En blotlagt cutter kan få fat i overfladen, og du kan miste kontrollen og komme alvorligt til skade.
- **Hold i elværktøjets isolerede gribeflade, da fræseren kan komme i kontakt med værktøjets ledning.** Hvis man skærer i en strømførende ledning, bliver elværktøjets blotlagte dele strømførende, så brugeren får stød.
- **Brug klemmer eller en anden praktisk måde på at sikre og understøtte arbejdsstedet til et stabilt underlag.** Det er ikke nok at holde arbejdsemnet med hånden eller ind mod kroppen. Det bliver ustabil, og du kan miste kontrollen.
- **Bær en støvmaske.**

- **Hold cutteren skarp.** Sløve eller beskadigede cuttere kan få høvlen til at slingre eller standse under pres. Brug altid den rigtige type cutter til elværktøjet.
- Rør ikke ved materialet eller cutteren umiddelbart efter, at værktøjet har været i brug. De kan blive meget varme.
- Fjern alle søm og metalobjekter fra materialet før høvlearbejdet.
- Hold altid værktøjet med begge hænder i håndtagene.
- Træk straks ledningen ud af stikkontakten, hvis ledningen beskadiges, eller der saves i den.



**Advarsel!** Kontakt med eller indånding af støvpartikler fra høvlearbejde kan udgøre en fare for både brugerens og eventuelle omkringståendes helbred. Bær en specielt designet støvmaske til beskyttelse mod støv og røg, og sørg for, at personer, der befinder sig på eller kommer ind på arbejdsområdet, også er beskyttet.

- Dette værktøj må ikke bruges af personer (herunder børn) med nedsatte fysiske, sensoriske eller mentale evner eller manglende erfaring og viden, medmindre det sker under overvågning, eller der gives instruktion i brugen af værktøjet af en person, der er ansvarlig for deres sikkerhed. Børn skal overvåges for at sikre, at de ikke leger med udstyret.
- Den tilsigtede anvendelse er beskrevet i denne betjeningsvejledning. Brug af ekstraudstyr eller tilbehør eller udførelse af andre opgaver med dette værktøj end de, der anbefales i denne vejledning, kan medføre risiko for personskade og/eller materiel skade.

## Andres sikkerhed

- Dette udstyr er ikke beregnet til anvendelse af personer (inklusive børn) med nedsatte fysiske, sensoriske eller mentale handicaps eller med mangel på erfaringer eller viden, medmindre de er under overvågning eller har fået instruktioner i brugen af udstyret af en person, der er ansvarlig for deres sikkerhed.
- Børn skal overvåges for at sikre, at de ikke leger med udstyret.

## Tilbageværende risici

Der kan opstå yderligere, tilbageværende risici under brugen af apparatet, som muligvis ikke behandles i de vedlagte sikkerhedsadvarsler. Disse risici kan opstå pga. forkert anvendelse, langvarig brug etc.

Selv ved overholdelse af relevante sikkerhedsforskrifter og anvendelse af sikkerhedsudstyr kan visse resterende risici ikke undgås. Disse omfatter:

- Kvæstelser forårsaget af berøring af roterende/bevægelige dele.
- Tilskadekomst forårsaget af udskiftning af dele, klinger eller tilbehør.
- Tilskadekomst forårsaget af langvarig brug af et apparat. Husk at holde pause jævnlige ved brug af et apparat i længere tid.
- Hørenedsættelse.

- Sundhedsrisici forårsaget af indånding af støv, der genereres ved brug af dit apparat (eksempel: arbejde med træ, især eg, bøg og MDF.)

## Vibration

De angivne værdier for udsendelse af vibration anført under de tekniske data og overensstemmelseserklæringen er målt i henhold til standardtestmetoden i EN62841 og kan bruges til at sammenligne ét værktøj med et andet. Den angivne vibrationsemissionsværdi kan også bruges i forbindelse med en foreløbig vurdering af eksponeringen.



**Advarsel!** Værdien for vibrationsemission ved faktisk brug af elværktøjet kan afvige fra den angivne værdi afhængig af måden, værktøjet anvendes på. Vibrationsniveauet kan overstige det angivne niveau.

I vurderingen af eksponeringen for vibration med henblik på fastsættelse af sikkerhedsforanstaltninger som krævet i 2002/44/EF til beskyttelse af personer, der jævnligt anvender elværktøj i deres arbejde, skal der tages hensyn til de faktiske betingelser under brugen, og måden værktøjet bruges på, herunder alle arbejds cyklussens afsnit, f.eks. perioder, hvor værktøjet er slukket, og hvor det kører i tomgang, tillige med startperioderne.

## Mærkatér på værktøjet

Værktøjet er forsynet med følgende advarselssymboler samt datokoden:



**Advarsel!** Brugeren skal læse brugervejledningen for at reducere risikoen for kvæstelser.

## Elektricitet og sikkerhed



Denne maskine er dobbelt isoleret. Derfor er jordledning ikke nødvendig. Kontrollér altid, at strømforsyningen svarer til spændingen på mærkepladen.

- Hvis netledningen beskadiges, skal den udskiftes af producenten eller et autoriseret BLACK+DECKER-værksted, så farlige situationer undgås.

## Funktioner

Udstyret har nogle eller alle af de efterfølgende funktioner.

1. Afbryderkontakt
2. Låseknop
3. Udløsningsudgang for spåner
4. Knap til spånudkaståbning
5. Knap til indstilling af høvledybde
6. Dybdeskala for høvling

## Samling



**Advarsel!** Kontroller før samling, at værktøjet er slukket, og at stikket er taget ud af stikkontakten.

## Udskiftning af klingerne (Fig. A)

De medleverede klinger er vendbare. Du kan få udskiftningsklinger hos din lokale forhandler.

## Afmontering

- Løsn boltene (7) ved hjælp af den leverede skruenøgle.
- Skub kling (8) ud af holderen.

- Vend kling, så den ubrugte side kommer på plads. Hvis begge sider er slidte, skal kling udskiftes.

## Isætning

- Skub kling ind i holderen, indtil den ligger an mod endestoppet.
- Stram boltene vha. den medfølgende skruenøgle.



**Advarsel!** Udskift altid begge cuttere.

## Justering af skæredybden (Fig. B)

Skæredybden vises ved markeringen (9). Indstillingsområdet kan aflæses på skalaen (6).

- Drej knappen til indstilling af høvledybden (5) til den ønskede skæredybde.
- Drej knappen til position 'P' når værktøjet ikke er i brug.

## På- og afmontering af parallelanslaget (Fig. C)

Parallelanslaget anvendes til den bedst mulige styring på små materialer.

- Drej knappen (11) ind i hullet på siden af høvlen, indtil den sidder fast.
- Løsn knappen til indstilling af parallelanslaget (10).
- Skub parallelanslaget i den ønskede position.
- Stram knappen til indstilling af parallelanslaget.

**Bemærk:** Parallelanslaget befinder sig under høvlen, når det er monteret korrekt.

- Parallelanslaget fjernes ved at udføre proceduren i omvendt rækkefølge.

## Tilslutning af en støvsuger til værktøjet (Fig. D)

Der kræves en adapter for at slutte en støvsuger eller støvudsucker til værktøjet. Adapteren kan købes hos en lokal Black & Decker-forhandler.

- Sæt adapteren fast (12) over spånudkaståbningen (3).
- Sæt støvsugerslangen (13) i adapteren.

## Påspæning af spånposen (Fig. E)

Spånposen er især nyttig, når der arbejdes på trange steder.

- Sæt posens tilslutningsskive (14) fast på en af siderne på spånudkaståbningen (3).
- For at forhindre, at der ryger spåner ud på den modsatte side af spånudkaståbningen, flyttes knappen til spånudtag (4) til den modsatte side af posen.

## Tømning af spånposen

Spånposen skal tømmes regelmæssigt, når den bruges til at forhindre blokering.

- Lyn posen af, og tøm den inden der fortsættes.

## Anvendelse



**Advarsel!** Lad værktøjet arbejde i dets eget tempo. Det må ikke overbelastes.

- Justér skæredybden.
- Hvis nødvendigt monter og justér parallelanslaget.

## Sådan tændes og slukkes værktøjet

### Tænd

- Hold låseknappen (2) trykket ned, og tryk på afbryderknappen (1).
- Slip låseknappen.

**Sluk**

- Slip afbryderknappen.

**Høvling**

- Hold værktøjet, så spidsen af sålen ligger an mod materialets overflade.
- Slå værktøjet til.
- Bevæg roligt værktøjet fremad for at høvle materialet.
- Klingens fortsætter med at rotere, efter at værktøjet er slukket.

**Falsning (Fig. F)**

- Monter og justér parallelslaget.
- Fortsæt som for høvling.

**Afskråning af kanter (Fig. G)**

V-noten på spidsen af sålen anvendes til afskråning af kanter i vinkler på 45°, 30° og 15°.

- Hold værktøjet i en vinkel med den ønskede not (20) på kanten af materialet og lav skærebbevægelsen.

**Parkeringsfod (Fig. H)**

Din høvl er udstyret med en parkeringsfod (21), som automatisk kører ned, når værktøjet løftes fra arbejdsfladen. Under høvlearbejdet løftes parkeringsfoden, når værktøjet skubbes fremad. Når parkeringsfoden er kørt ned, kan høvlen sættes ned på arbejdsfladen, uden at klingens berører den.

**Gode råd mhp. optimal brug**

- Bevæg værktøj langs med årenerne i træet.
- Hvis årenerne er meget ujævne eller hvis der arbejdes i hårdt træmateriale, indstilles skæredybden til meget tynd spåntagning ved hver bevægelse, så der skal foretages mange bevægelser for at opnå det ønskede resultat.
- For at holde værktøjet på en lige linje trykkes den forreste ende af værktøjet ned til at starte med, og derefter trykkes den bagerste ende af værktøjet ned for at afslutte skærebbevægelsen.

**Tilbehør**

Værktøjets ydeevne afhænger af det anvendte tilbehør.

Tilbehør fra Black & Decker og Piranha er fremstillet efter høje kvalitetsstandarder og er designet til at forbedre dit værktøjs ydeevne. Når du bruger dette tilbehør, vil værktøjet yde optimalt.

Følgende typer klinger fås hos din lokale forhandler:

- Vendbare klinger i wolframkarbid (reservedel nr. X35007, leveres i par)
- Vendbare klinger i hurtigstål (reservedel nr. X24192-XJ11, leveres i par)

**Vedligeholdelse**

Dit BLACK+DECKER-værktøj er beregnet til brug gennem lang tid med et minimum af vedligeholdelse. Vedvarende tilfredsstillende funktion er afhængig af, om apparatet plejes korrekt og rengøres regelmæssigt.



**Advarsel!** Tag værktøjet ud af stikkontakten, inden der foretages vedligeholdelse på værktøjet. Træk opladeren ud af stikkontakten, før den rengøres.

- Rengør regelmæssigt værktøjets ventilationshuller med en blød børste eller en tør klud.
- Rengør med jævne mellemrum motorhuset med en fugtig klud.  
Der må ikke bruges skuremidler eller opløsningsmidler.

**Udskiftning af drivremmen (Fig. I)**

- Løsn skrueerne (15) og fjern dækslet (16).
- Fjern den gamle drivrem.
- Sæt den nye rem (17) over remskiverne. Sæt remmen over den store remskive (18) først, og derefter over den lille remskive (19), og drej samtidigt remmen manuelt med rolige tag.
- Sæt dækslet på plads igen og stram skrueerne.

**Kontrol og udskiftning af motorkul (Fig. J)**

Kullene skal jævnligt kontrolleres for slid.

- Fjern kulhætten (22). Kullene skal kunne glide frit i kulboksen. Hvis kullene er slidt ned til 0,3" (8 mm), skal de udskiftes.

Skub nye kul tilbage i kulboksen for at sætte dem i. Ved udskiftning af eksisterende kul holdes samme retning, som da de blev taget ud. Sæt kuldækslet på igen (overspænd ikke).

**Miljøbeskyttelse**

Særskilt bortskaffelse. Produkter og batterier mærket med dette symbol må ikke bortskaffes sammen med normalt husholdningsaffald.

Produkter og batterier indeholder materialer, der kan genindvindes eller genanvendes, hvilket reducerer efterspørgslen efter råvarer.

Genbrug venligst elektriske produkter og batterier i henhold til lokale bestemmelser. Yderligere informationer findes på [www.2helpU.com](http://www.2helpU.com)

**Tekniske data**

		KW750 (Type 5)
Indgangsspænding	V <sub>~</sub>	230
Effektindgang	W	750
Tomgangshastighed	min <sup>-1</sup>	16.500
Høvlingensbredde	mm	82
Høvledybde	mm	2
Falsdybde	mm	12
Vægt	kg	2.9

Samlede værdier for vibration (triaksial vektorsum) i henhold til EN62841:
Værdi for udsendelse af vibration (a <sub>v</sub> ) 4,7 m/s <sup>2</sup>
usikkerhed (K) 1,5 m/s <sup>2</sup>

Lydtrykniveau i henhold til EN62841:
Lydtryk (L <sub>p</sub> ) 86,0 dB(A), usikkerhed (K) 3 dB(A)
Lydeffekt (L <sub>wa</sub> ) 97,0 dB(A), usikkerhed (K) 3 dB(A)

## EF-overensstemmelseserklæring

### MASKINDIREKTIV



KW750 Høvl

Black & Decker erklærer, at produkterne beskrevet under "Tekniske data" er i overensstemmelse med: EN62841-1:2015, EN62841-2-14:2015.

Disse produkter er endvidere i overensstemmelse med direktiv 2006/42/EC, 2014/30/EU og 2011/65/EU. Kontakt Black & Decker på nedenstående adresse eller se vejledningens bagside for at få yderligere oplysninger. Undertegnede er ansvarlig for kompilering af den tekniske fil og udsteder denne erklæring på vegne af Black & Decker.

A. P. Smith  
Teknisk direktør for konstruktioner  
Black & Decker Europe, 270 Bath Road, Slough,  
Berkshire, SL1 4DX, Storbritannien  
30-04-2019

## Garanti

Black & Decker er overbevist om den gode kvalitet af sine produkter og giver forbrugerne en garanti på 24 måneder fra købsdatoen. Garantien er et tillæg til forbrugers lovæssige rettigheder og påvirker ikke disse. Garantien er gyldig inden for medlemsstaterne af Den Europæiske Union og Det Europæiske Frihandelsområde.

Når du gør krav på garantien, skal kravet være i overensstemmelse med Black & Decker vilkår og betingelser, og du skal indsende dokumentation for købet til sælgeren eller til en autoriseret reparatør.

Vilkår og betingelser for Black & Decker 2 års garanti og placeringen af dit nærmeste autoriserede serviceværksted kan fås på internettet på [www.2helpU.com](http://www.2helpU.com), eller ved at kontakte dit lokale Black & Decker kontor på den adresse, der er angivet i denne vejledning.

Besøg venligst vores websted [www.blackanddecker.co.uk](http://www.blackanddecker.co.uk) for at registrere dit nye Black & Decker produkt og modtage opdateringer om nye produkter og specielle tilbud.

## Käyttötarkoitus

BLACK+DECKER KW750 -höylä on suunniteltu puun, puutuotteiden ja muovin höyläämiseen. Kyseessä on käsityökalu. Tämä työkalu on tarkoitettu vain yksityiskäyttöön.

## Turvallisuusohjeet

### Sähkötyökalujen yleiset turvavaroitukset



**Varoitus! Lue kaikki tämän sähkötyökalun mukana toimitetut varoitukset, käyttöohjeet ja tekniset tiedot.** Jos kaikkia ohjeita ei noudateta, on olemassa sähköiskun, tulipalon ja/tai vakavan henkilövahingon vaara.

**Säästä kaikki varoitukset ja ohjeet tulevaa käyttöä varten.** Jäljempänä olevissa varoituksissa käytetyllä käsitteellä "sähkötyökalu" tarkoitetaan verkkokäyttöisiä sähkötyökaluja (verkkajohtolla) ja akkukäyttöisiä sähkötyökaluja (ilman verkkojohtoa).

### 1. Työalueen turvallisuus

- Pidä työskentelyalue puhtaana ja hyvin valaistuna.** Onnettomuuksia sattuu herkemmin epäsiistissä tai huonosti valaistussa ympäristössä.
- Älä käytä sähkötyökalua räjähdysalttiissa ympäristössä, jossa on palavaa nestettä, kaasua tai pölyä.** Sähkötyökalujen aiheuttamat kipinät voivat sytyttää pölyn tai kaasut.
- Pidä lapset ja sivulliset loitolla sähkötyökalua käyttäessäsi.** Keskittymiskyvyn herpaantuminen voi aiheuttaa hallinnan menettämisen.

### 2. Sähköturvallisuus

- Sähkötyökalun pistokkeen on sovittava pistorasiaan. Älä koskaan tee pistokkeeseen mitään muutoksia. Älä yhdistä maadoitettua sähkötyökalua jatkojohtoon.** Sähköiskun vaara vähenee, jos pistokkeisiin ei tehdä muutoksia ja ne yhdistetään vain niille tarkoitettuihin pistorasioihin.
- Vältä koskettamasta maadoitettuja pintoja, kuten putkia, pattereita, liesiä tai jääkaappeja.** Voit saada sähköiskun, jos kehosi on maadoitettu.
- Älä altista sähkötyökalua sateelle tai kosteudelle.** Sähkötyökaluun menevä vesi lisää sähköiskun vaaraa.
- Älä käsittele virtajohtoa kovakouraisesti. Älä kannata työkaluja sähköjohdosta tai vedä pistoketta pistorasiasta sähköjohdon avulla. Pidä sähköjohto kaukana kuumuudesta, öljystä, terävistä reunoista tai liikkuvista osista.** Vaurioituneet tai sotkeutuneet johdot lisäävät sähköiskun vaaraa.
- Käyttäessäsi sähkötyökalua ulkona käytä ainoastaan ulkokäyttöön soveltuva jatkojohtoa.** Ulkokäyttöön tarkoitettujen sähköjohdon käyttäminen vähentää sähköiskun vaaraa.
- Jos sähkötyökalua on välttämättä käytettävä kosteassa paikassa, käytä jäännösvirtalaitteella (RCD) suojattua virtalähdettä.** Tämä vähentää sähköiskun vaaraa.

### 3. Henkilöturvallisuus

- Keskity työskentelyysi ja noudata tervettä järkeä käyttäessäsi sähkötyökaluja. Älä käytä tätä työkalua ollessasi väsynyt tai alkoholin, huumeiden tai lääkkeiden vaikutuksen alaisena.** Keskittymisen herpaantuminen hetkeksikin sähkötyökalua käytettäessä voi aiheuttaa vakavan henkilövahingon.
  - Käytä henkilökohtaisia suojavarusteita. Käytä aina suojalaseja.** Hengityssuojaimen, liukumattomien turvajalkineiden, kypärän ja kuulonsuojaimen käyttäminen vähentää henkilövahinkojen vaaraa.
  - Vältä tahatonta käynnistämistä. Varmista, että kytkin on OFF-asennossa, ennen kuin liität laitteen virtalähteeseen ja/tai akkuun, nostat laitteen tai kannat sitä.** Sähkötyökalun kantaminen sormi virtakytkimellä lisää onnettomuusvaaraa.
  - Irrota mahdollinen säätö- tai kiintoavain, ennen kuin käynnistät sähkötyökalun.** Sähkötyökalun pyöryvään osaan kiinni jäänyt avain voi johtaa loukkaantumiseen.
  - Älä kurkota liian kauas. Huolehdi siitä, että sinulla on koko ajan tukeva jalansija ja hyvä tasapaino.** Näin voit hallita sähkötyökalua paremmin odottamattomissa tilanteissa.
  - Käytä tarkoitukseen soveltuvia vaatteita. Älä käytä löysiä vaatteita tai koruja. Pidä hiukset ja vaatteet loitolla liikkuvista osista.** Löysät vaatteet, korut tai pitkät hiukset voivat tarttua liikkuviin osiin.
  - Jos laitteeseen voi kiinnittää pölynkerääjän tai -imurin, tarkista, että se on paikallaan ja että se toimii kunnolla.** Pölyn ottaminen talteen voi vähentää pölyn aiheuttamia vaaroja.
  - Vaikka käyttäisit usein työkaluja ja sinulla olisi niistä hyvä tuntemus, älä jätä lukematta työkalun turvallisuusohjeita.** Huolimattomuus voi johtaa vakaviin henkilövahinkoihin jopa sekunnin murto-osassa.
- ### 4. Sähkötyökalujen käyttö ja hoito
- Älä ylikuormita sähkötyökalua. Valitse käyttötarkoituksen kannalta oikea sähkötyökalu.** Sähkötyökalu toimii paremmin ja turvallisemmin, kun sitä käytetään sille suunniteltuun käyttötarkoitukseen.
  - Älä käytä sähkötyökalua, jota ei voida käynnistää ja pysäyttää virtakytkimestä.** Jos sähkötyökalua ei voi hallita kytkimen avulla, se on vaarallinen ja se on korjattava.
  - Katkaise sähkötyökalusta virta ja irrota sen pistoke pistorasiasta tai irrota akku siitä ennen säätämistä, varusteiden vaihtamista tai sähkötyökalun asettamista säilytykseen.** Näin voit vähentää vahingossa käynnistymisen aiheuttaman henkilövahingon vaaraa.



d. Säilytä sähkötyökalut poissa lasten ulottuvilta, kun niitä ei käytetä. Älä anna sähkötyökalua sellaisen henkilön käyttöön, joka ei tunne sitä tai joka ei ole tutustunut sähkötyökalun käyttöohjeeseen.

Sähkötyökalut ovat vaarallisia kouluttamattomien käyttäjien käsissä.

e. Hoida sähkötyökaluasi ja lisävarusteita huolella. Tarkista, että liikkuvat osat toimivat moitteettomasti ja etteivät ne ole puristuksessa. Tarkista myös, ettei työkalussa ei ole murtuneita tai vahingoittuneita osia, jotka saattaisivat vaikuttaa haitallisesti sen toimintaan. Jos havaitset vaurioita, korjauta sähkötyökalu ennen niiden käyttämistä. Huonosti kunnossapidetyt sähkötyökalut aiheuttavat onnettomuuksia.

f. Pidä leikkausterät terävinä ja puhtaina. Kunnossa pidettyjen leikkaavia teräviä reunoja sisältävien työkalut todennäköisyyksi jumiutua vähenee, ja niitä on helpompi hallita.

g. Käytä sähkötyökaluja, tarvikkeita, vaihtotyökaluja jne. näiden ohjeiden mukaisesti. Ota tällöin huomioon työolosuhteet ja suoritettava toimenpide. Jos sähkötyökalua käytetään näiden ohjeiden vastaisesti, voi syntyä vaaratilanne.

h. Pidä kahvat ja kädensijat kuivina ja puhtaina öljystä ja rasvasta. Liukkaat kahvat ja kädensijat estävät työkalun turvallisen käsittelyn ja hallinnan odottamattomissa tilanteissa.

## 5. Huolto

a. Korjata sähkötyökalu koulutetulla ja ammattitaitoisella henkilöllä ja hyväksy korjauksiin vain alkuperäisiä varaosia. Tämä varmistaa sähkötyökalun turvallisuuden.

## Sähkötyökalujen lisäturvavaroitukset

- Odota, että terä on pysähtynyt, ennen kuin lasket työkalun käsistäsi. Paljaana oleva terä voi juuttua pintaan ja aiheuttaa työkalun hallinnan menetyksen ja vakavan loukkaantumisen.
- Pitele sähkötyökalua sen eristävästä tartuntapinnoista, sillä terä voi osua laitteen virtajohtoon. Työkalun kosketus jännitteisen johtimen kanssa voi tehdä myös työkalun paljaista metalliosista jännitteisiä ja aiheuttaa sähköiskun käyttäjälle.
- Käytä puristimia tai muuta käytännöllistä tapaa kiinnittää ja tukea työkalua tukevalle alustalle. Työkappaleen kannatteleminen käsin tai sen tukeminen omaa vartaloa vasten voi johtaa kappaleen irtoamiseen ja vaaratilanteeseen.
- Käytä pölysuojainta.
- Pidä terä terävänä. Tylsät tai vahingoittuneet terät voivat leikata vinoon tai jäädä kiinni. Käytä aina sähkötyökaluun soveltuvaa terää.
- Älä kosketa työkalua tai terää heti työkalun käytön jälkeen. Ne voivat olla erittäin kuumia.

- Poista naulat ja metalliesineet työkalusta ennen höyläämistä aloittamista.
- Pidä työkalusta aina kiinni molemmin käsin työkaluun kahvoista.
- Jos virtajohto vaurioituu tai katkeaa, irrota se välittömästi sähköverkosta.



**Varoitus!** Höylätessä syntyvä pöly voi aiheuttaa terveyshaittoja käyttäjälle ja mahdollisille sivullisille. Käytä kasvosuojusta, joka on erityisesti tarkoitettu suojaamaan pölyltä ja höyryiltä, ja varmista, että kaikki työskentelyalueella olevat ja sinne tulevat henkilöt käyttävät suojavarusteita.

- Tätä työkalua ei ole tarkoitettu sellaisten henkilöiden käyttöön, joilla on fyysisiä tai älyllisiä rajoitteita tai aistirajoitteita, eikä laitteen toimintaan perehtymättömien henkilöiden käyttöön (lapset mukaan luettuina), paitsi valvonnan alaisina, tai jos he ovat saaneet laitteen käyttöön liittyvää opastusta heidän turvallisuudestaan vastaavalta henkilöltä. Lapsia tulee valvoa ja varmistaa, että he eivät leiki laitteella.
- Tarkoitettu käyttö on kuvattu tässä käyttöohjeessa. Käytä työkalua ainoastaan sellaiseen työhön, johon se on tarkoitettu, ja käytä vain tässä käyttöohjeessa suositeltuja tarvikkeita ja lisälaitteita. Ohjeesta poikkeava käyttö voi aiheuttaa henkilö- ja/tai omaisuusvahinkoja.

## Muiden henkilöiden turvallisuus

- Tämä laite ei ole tarkoitettu henkilöiden (mukaan lukien lapset) käytettäväksi, joiden fyysiset, sensoriset tai henkiset kyvyt tai kokemus ja tietämys ovat rajalliset, ellei heidän turvallisuudestaan vastuussa oleva henkilö valvo tai ohjaa heitä laitteen käytössä.
- Lapsia tulee valvoa ja varmistaa, että he eivät leiki laitteella.

## Jäännösriskit

Myös muut kuin turvavaroituksissa mainitut riskit ovat mahdollisia laitetta käytettäessä. Nämä riskit voivat liittyä muun muassa virheelliseen tai pitkäaikaiseen käyttöön. Tiettyjä jäännösriskejä ei voi välttää, vaikka noudatat kaikkia turvavaroituksia ja käytät turvalaitteita. Näitä ovat:

- Pyörievien tai liikkuvien osien koskettamisen aiheuttamat vahingot.
- Osia, teriä tai lisävarusteita vaihdettaessa aiheutuneet vahingot.
- Työkalun pitkäaikaisen käytön aiheuttamat vahingot. Varmista, että pidät säännöllisesti taukoja laitteen pitkäaikaisen käytön aikana.
- Kuulon heikkeneminen.
- Työkalua käytettäessä (esimerkiksi puuta, erityisesti tammea, pyökiä ja MDF-levyjä käsiteltäessä) syntyneen pölyn sisäänhengityksen aiheuttamat terveysriskit.



## Tärinä

Teknisissä tiedoissa ja vaatimustenmukaisuusvakuutuksessa ilmoitettu tärinäpäästöarvo on mitattu EN62841-standardin testausmenetelmän mukaisesti, ja arvoa voi käyttää työkalujen keskinäiseen vertailuun. Ilmoitettua tärinäpäästöarvoa voi käyttää myös altistumisen alustavaan arviointiin.



**Varoitus!** Sähkötyökalun käytön aikana mitattu todellinen tärinäpäästöarvo voi poiketa ilmoitetusta tärinäpäästöarvosta työkalun käyttötavan mukaan. Tärinätaaso voi olla ilmoitettua tasoa suurempi.

Kun tärinälle altistumista arvioidaan sen määrittämiseksi, mitä direktiivin 2002/44/EY mukaisia turvatoimenpiteitä vaaditaan sähkötyökaluja säännöllisesti käytävien henkilöiden suojelemiseksi, tärinälle altistumisen arvioinnissa on otettava huomioon todelliset käyttöolosuhteet ja työkalun käyttötavat. Todellisen käytön lisäksi on kiinnitettävä huomiota myös siihen, milloin työkalu on sammutettuna tai se käy tyhjäkäynnillä.

## Työkalun tarrat

Työkalun on merkitty päivämääräkoodi sekä seuraavat varoitusmerkinnot:



**Varoitus!** Käyttäjän on luettava käyttöohje vahinkojen välttämiseksi.

## Sähköturvallisuus



Tämä laite on kaksoiseristetty, joten erillistä maadoitusta ei tarvita. Tarkista aina, että verkkovirran jännite vastaa tyyppikilpeen merkittyä jännitettä.

- Jos virtajohto vahingoittuu, sen vaihtaminen on turvallisuussyistä jätettävä valmistajan tai valtuutetun BLACK+DECKER -huollon tehtäväksi.

## Yleiskuvaus

Tässä laitteessa on joitakin tai kaikki seuraavista ominaisuuksista.

1. Virtakytkin
2. Lukituksen vapautuspainike
3. Purunpoisto
4. Lastunpoistoaukon valitsin
5. Höyläysvyöydyden säätönuppi
6. Höyläysvyöydyden asteikko

## Asennus



**Varoitus!** Varmista ennen kokoamista, että virta on katkaistu ja että virtajohto on irti pistorasiasta.

## Terien vaihtaminen (kuva A)

Työkalun mukana toimitettavat terät voidaan kääntää. Paikalliselta jälleenmyyjältä on saatavilla vaihtoteriä.

## Irrottaminen

- Irrota pultit (7) mukana toimitetulla kiintoavaimella.
- Työnnä terä (8) pidikkeestään.
- Käännä terä niin, että käyttämätön puoli tulee oikeaan käyttöasentoonsa. Jos molemmat puolet ovat kuluneet, terä pitää vaihtaa.

## Kiinnittäminen

- Liu'uta terää pitimeen, kunnes se on päätyypäytäntä vasten.
- Kiristä pultit työkalun mukana toimitetulla kiintoavaimella.



**Varoitus!** Vaihda aina molemmat terät.

## Höyläysvyöydyden säätö (kuva B)

Höyläysvyöydyden merkitty (9). Asetusalue voidaan lukea asteikolta (6).

- Aseta syvyys oikeaksi kääntämällä säätönuppi (5) tarpeen mukaan.
- Aseta nuppi asentoon "P", kun työkalu ei ole käytössä.

## Sivuohjaimen kiinnitys ja poisto (kuva C)

Sivuohjain sopii apuvälineeksi höylättäessä kapeita työkappaleita.

- Kierrä nuppi (11) höylän sivussa olevaan reikään ja kiristä se kunnolla.
- Löysää sivuohjaimen säätönuppi (10).
- Työnnä sivuohjain haluamaasi kohtaan.
- Kiristä sivuohjaimen säätönuppi kunnolla.

**Huomautus:** Sivuohtaimen on oltava höylän alapuolella, kun se on asennettu oikein.

- Jos haluat irrottaa sivuohjaimen, tee yllä mainitut toimenpiteet vastakkaisessa järjestyksessä.

## Teollisuuspolynimurin kytkeminen laitteeseen (kuva D)

Polynimurin tai polynimulaitteen yhdistämiseksi laitteeseen tarvitaan sovitin. Voit ostaa sovittimen paikalliselta Black & Decker -jälleenmyyjältä.

- Kiinnitä sovitin (12) lastunpoistoaukkoon (3).
- Kytke polynimurin letku (13) sovittimeen.

## Lastupussin kiinnittäminen (kuva E)

Lastupussi on erityisen hyödyllinen ahtaissa tiloissa työskennellessä.

- Työnnä pussin liitäntälevy (14) lastunpoistoaukon (3) yhdelle puolelle.
- Siirrä lastunpoistoaukon valitsin pussin vastakkaiselle puolelle, jotta lastut eivät tule ulos lastunpoistoaukon (4) toiselta puolelta.

## Lastupussin tyhjentäminen

Lastupussi on tyhjennettävä säännöllisesti, kun sitä käytetään.

- Avaa pussin vetoketju ja tyhjennä se, ennen kuin jatkat työskentelyä.

## Käyttö



**Varoitus!** Anna työkalun käydä omaan tahtiinsa. Älä ylikuormita sitä.

- Säädä leikkaussyvyys.
- Asenna ja säädä sivukahva tarpeen mukaan.

## Käynnistäminen ja sammuttaminen

### Käynnistäminen

- Pidä lukituspainike (2) alhaalla ja paina virtakytkintä (1).
- Vapauta lukituspainike.

**Sammuttaminen**

- Vapauta virtakytkin.

**Höyläys**

- Pitele työkalua niin, että kengän päätykappale on työkappaleen päällä.
- Käynnistä työkalu.
- Siirrä työkalua vakaasti eteenpäin, kun haluat höylätä.
- Sammuta työkalu, kun höyläys on valmis.

**Huulosten tekeminen (kuva F)**

- Asenna ja säädä ohjausviivain.
- Jatka samalla tavalla kuin höyläyksessä.

**Reunojen särmäys (kuva G)**

Kengän päätykappaleen V-ura mahdollistaa reunojen särmäämisen 45, 30 ja 15 asteen kulmassa.

- Pidä työkalua kulmassa niin, että ura (20) on työkappaleen reunan ympärillä. Aloita työstäminen.

**Pysäköintijalka (kuva H)**

Höylässä on pysäköintijalka (21), joka laskeutuu automaattisesti paikalleen, kun työkalu nostetaan irti työstettävästä pinnasta. Höyläyksen aikana pysäköintijalka nousee ylös, kun työkalua työnnetään eteenpäin. Kun pysäköintijalka lasketaan alas, höylä voidaan laskea työstettävälle pinnalle niin, että terä ei kosketa sitä.

**Vinkkejä parhaimman tuloksen saavuttamiseksi**

- Liikuta työkalua puun syiden mukaisesti.
- Jos syyt ovat ristikkäin tai aaltoilevia tai jos työstettävä materiaali on kovapuuta, säädä höyläysvyövyys pieneksi ja höylää useita kertoja peräkkäin.
- Pidä työkalu suorassa linjassa painamalla aluksi työkalun etuosaa alaspäin. Paina työkalun takaosaa alaspäin työn loppuvaiheessa.

**Lisävarusteet**

Työkalun suorituskyky riippuu käytetystä lisävarusteesta. Korkealaatuiset Black & Decker- ja Piranha -lisävarusteet on suunniteltu parantamaan työkalun suorituskykyä. Käyttämällä näitä lisävarusteita saat työkalustasi parhaan hyödyn.

Paikalliselta jälleenmyyjältä saa seuraavanlaisia teriä:

- Kovametalliset, käännettävät kärkiterät (osanro X35007, toimitetaan pareittain)
- Käännettävät suurnopeusterät (osanro X24192-XJ11, toimitetaan pareittain)

**Huolto**

BLACK+DECKER-työkalu on suunniteltu toimimaan mahdollisimman pitkän aikaa mahdollisimman vähällä huollolla. Oikea käsittely ja säännöllinen puhdistus varmistavat laitteen ongelmattoman toiminnan.



**Varoitus!** Ennen huoltamista työkalu on irrotettava työkalusta. Irrota laturi pistorasiasta ennen laturin puhdistamista.

- Puhdista laitteen ilma-aukot säännöllisesti pehmeällä harjalla tai kuivalla rievulla.
- Puhdista moottorikotelo säännöllisesti kostealla liinalla. Älä käytä hankaavia tai liuotinohjaisia puhdistusaineita.

**Käyttöhihnan vaihtaminen (kuva I)**

- Löysää ruuvit (15) ja irrota kansi (16).
- Irrota vanha käyttöhihna.
- Aseta uusi hihna (17) rullien päälle. Aseta hihna ensin suuren rullan (18) päälle ja sitten pienen rullan (19) päälle. Käännä hihna käsin tasaisesti.
- Aseta kansi takaisin paikalleen ja kiristä ruuvit.

**Moottorin harjan tarkistaminen ja vaihtaminen (kuva J)**

Harja tulisi tarkistaa säännöllisin väliajoin kulumisen varalta.

- Irrota harjan kansi (22). Harjojen tulisi liikkua vapaasti harjalaatikossa. Jos harjat ovat kuluneet 8 mm:n (0,3 tuuman) pituisiksi, ne tulee vaihtaa.

Asentaaksesi harjan uudelleen, työnnä uusi harja harjalaatikkoon. Jos vaihdat olemassa olevia harjoja, säilytä sama asento kuin vanhaa harjaa poistettaessa. Aseta kansi takaisin paikoilleen (älä kiristä sitä liikaa).

**Ympäristönsuojelu**

Toimita tämä laite erillisröykäykseen. Tällä symbolilla merkityjä tuotteita ja akkuja ei saa hävittää tavallisen kotitalousjätteen mukana.

Tuoteissa ja akkuissa on materiaaleja, jotka voidaan ottaa talteen tai kierrättää uudelleen käyttöä varten.

Kierrätä sähkölaitteet ja akut paikallisten määräyksien mukaan. Lisätietoa on saatavilla osoitteessa [www.2helpU.com](http://www.2helpU.com)

**Tekniset tiedot**

		<b>KW750</b> (tyyppi 5)
<b>Syöttöjännite</b>	V <sub>n</sub>	230
<b>Ottoteho</b>	V	750
<b>Kuormittamaton nopeus</b>	min <sup>-1</sup>	16 500
<b>Höyläysleveys</b>	mm	82
<b>Höyläysvyövyys</b>	mm	2
<b>Huullosvyövyys</b>	mm	12
<b>Paino</b>	kg	2,9

**Tärinän kokonaisarvot (vektorisumma) standardin EN62841 mukaisesti:**

Tärinäpäästöarvo (a<sub>j</sub>) 4,7 m/s<sup>2</sup>

epävarmuus (K) 1,5 m/s<sup>2</sup>

**Äänenpainetaso standardin EN62841 mukaisesti:**

Äänenpaine (L<sub>w</sub>) 86,0 dB(A), epävarmuus (K) 3 dB(A)

Äänitehotaso (L<sub>w</sub>) 97,0 dB(A), epävarmuus (K) 3 dB(A)

**EY-vaatimustenmukaisuusvakuutus**

KONEDIREKTIIVI



KW750 Höylä

Black & Decker ilmoittaa, että Tekniset tiedot -kohdassa kuvatut tuotteet täyttävät seuraavien direktiivien vaatimukset: EN62841-1:2015, EN62841-2-14:2015.

Nämä tuotteet täyttävät myös direktiivien 2006/42/EY, 2014/30/EY ja 2011/65/EY vaatimukset. Lisätietoja saa ottamalla yhteyden Black & Deckeriin seuraavassa osoitteessa. Tiedot ovat myös käyttöohjeen takakannessa.

Allekirjoittaja vastaa teknisistä tiedoista ja antaa tämän vakuutuksen seuraavan yhtiön puolesta:

Black & Decker .

A. P. Smith

Teknisen osaston johtaja

Black & Decker Europe, 270 Bath Road, Slough,  
Berkshire, SL1 4DX, Iso-Britannia

30.4.2019

**Takuu**

Black & Decker on vakuuttanut tuotteidensa korkeasta laadusta ja tarjoaa kuluttajille 24 kuukauden takuun, joka astuu voimaan ostopäivänä. Takuu on lisäksi kuluttajan laillisiin oikeuksiin eikä vaikuta niihin. Tämä takuu on voimassa kaikissa EU- ja ETA-maissa.

Edellytyksenä takuun saamiselle on, että vaade täyttää Black & Decker ehdot ja että ostaja toimittaa ostotositteen jälleenmyyjälle tai valtuutetulle huoltoliikkeelle.

Black & Deckerin 2 takuun ehdot ja lähimmän valtuutetun korjauspalvelun yhteystiedot ovat saatavilla osoitteessa [www.2helpU.com](http://www.2helpU.com) tai ottamalla yhteyttä paikalliseen Black & Deckerin toimipisteeseen tässä ohjekirjassa ilmoitettuihin osoitteisiin.

Käy verkkosivuiltamme osoitteessa [www.blackanddecker.co.uk](http://www.blackanddecker.co.uk) ja rekisteröi uusi Black & Decker -tuotteesi saadaksesi tietoa uusista tuotteista ja erikoistarjouksista.

## Προβλεπόμενη χρήση

Η ηλεκτρική πλάνη BLACK+DECKER KW750 έχει σχεδιαστεί για το πλάνισμα ξύλου, προϊόντων ξύλου και πλαστικών. Το εργαλείο προορίζεται για χρήση χειρός. Αυτό το εργαλείο προορίζεται μόνο για ερασιτεχνική χρήση.

## Οδηγίες ασφαλείας

### Γενικές προειδοποιήσεις ασφαλείας για ηλεκτρικά εργαλεία



**Προειδοποίηση!** Διαβάστε όλες τις προειδοποιήσεις ασφαλείας, τις οδηγίες, τις απεικονίσεις και τις προδιαγραφές που συνοδεύουν αυτό το ηλεκτρικό εργαλείο.

Η μη τήρηση οποιασδήποτε από τις οδηγίες που αναφέρονται πιο κάτω μπορεί να έχει ως αποτέλεσμα ηλεκτροπληξία, πυρκαγιά και/ή σοβαρό τραυματισμό.

**Φυλάξτε όλες τις προειδοποιήσεις και τις οδηγίες για μελλοντική αναφορά.** Ο όρος "ηλεκτρικό εργαλείο" που χρησιμοποιείται σε όλες τις παρακάτω προειδοποιήσεις, αναφέρεται είτε σε εργαλείο που λειτουργεί με ρεύμα δικτύου (ρεύματος - με καλώδιο) είτε σε εργαλείο που λειτουργεί με μπαταρία (μπαταρίας - χωρίς καλώδιο).

#### 1. Ασφάλεια χώρου εργασίας

**α) Διατηρείτε την περιοχή εργασίας καθαρή και καλά φωτισμένη.** Οι ατακτοποιητοί ή σκοτεινοί χώροι γίνονται αιτίες ατυχημάτων.

**β) Μη χρησιμοποιείτε ηλεκτρικά εργαλεία σε περιβάλλον όπου υπάρχει κίνδυνος έκρηξης, π.χ. παρουσία εύφλεκτων υγρών, αερίων ή σκόνης.** Τα ηλεκτρικά εργαλεία παράγουν σπινθήρες που μπορεί να προκαλέσουν ανάφλεξη της σκόνης ή των αναθυμιάσεων.

**γ) Όταν χρησιμοποιείτε ηλεκτρικό εργαλείο κρατάτε μακριά παιδιά και τυχόν άλλα παρευρισκόμενα άτομα.** Παράγοντες που αποσπούν την προσοχή μπορεί να σας κάνουν να χάσετε τον έλεγχο.

#### 2. Ασφαλής χρήση ηλεκτρικού ρεύματος

**α) Το φως του καλωδίου του ηλεκτρικού εργαλείου πρέπει να ταιριάζει στην αντίστοιχη πρίζα. Σε καμία περίπτωση μην τροποποιήσετε το φως, με κανένα τρόπο. Μη χρησιμοποιείτε φως προσαρμογής με γειωμένα ηλεκτρικά εργαλεία.** Τα φως που δεν έχουν υποστεί τροποποιήσεις και οι κατάλληλες πρίζες μειώνουν τον κίνδυνο ηλεκτροπληξίας.

**β) Αποφύγετε την επαφή του σώματος με γειωμένες επιφάνειες όπως σωλήνες, σώματα καλοριφέρ, κουζίνες και ψυγεία.** Υπάρχει αυξημένος κίνδυνος ηλεκτροπληξίας αν το σώμα σας είναι γειωμένο.

**γ) Μην εκθέτετε τα ηλεκτρικά εργαλεία σε βροχή ή υγρασία.** Η διείσδυση νερού σε ένα ηλεκτρικό εργαλείο αυξάνει τον κίνδυνο ηλεκτροπληξίας.

**δ) Μην κακομεταχειρίζεστε το καλώδιο. Ποτέ μη χρησιμοποιήσετε το καλώδιο για να μεταφέρετε, να τραβήξετε ή να αποσυνδέσετε από την πρίζα το ηλεκτρικό εργαλείο. Κρατάτε το καλώδιο μακριά από θερμότητα, λάδια, αιχμηρά άκρα ή κινούμενα μέρη.** Τα καλώδια που έχουν υποστεί ζημιά ή είναι μπερδεμένα αυξάνουν τον κίνδυνο ηλεκτροπληξίας.

**ε) Όταν χρησιμοποιείτε το ηλεκτρικό εργαλείο σε εξωτερικούς χώρους, να χρησιμοποιείτε πάντοτε καλώδια επέκτασης κατάλληλα για χρήση σε εξωτερικούς χώρους.** Η χρήση καλωδίου κατάλληλου για εργασία σε εξωτερικούς χώρους μειώνει τον κίνδυνο ηλεκτροπληξίας.

**ζ) Εάν είναι αναπόφευκτη η χρήση ηλεκτρικού εργαλείου σε υγρή τοποθεσία, χρησιμοποιήστε μια Διάταξη προστασίας ρεύματος διαρροής (RCD).** Η χρήση μιας διάταξης RCD μειώνει τον κίνδυνο ηλεκτροπληξίας.

#### 3. Προσωπική ασφάλεια

**α) Όταν χρησιμοποιείτε ηλεκτρικό εργαλείο, να είστε προσεκτικοί, να δίνετε προσοχή στην εργασία που κάνετε και να επιστρατεύετε την κοινή λογική. Μη χρησιμοποιείτε ηλεκτρικό εργαλείο όταν είστε κουρασμένος/η ή υπό την επήρεια ναρκωτικών, οινοπνευματώδης ή φαρμακευτικής αγωγής.** Μια στιγμή απροσεξίας κατά τη χρήση ηλεκτρικών εργαλείων μπορεί να προκαλέσει σοβαρό τραυματισμό.

**β) Χρησιμοποιείτε εξοπλισμό ατομικής προστασίας. Πάντα φοράτε προστασία ματιών.** Ο εξοπλισμός προστασίας, όπως μάσκα κατά της σκόνης, αντιολισθητικά παπούτσια ασφαλείας, κράνος ή προστασία ακοής, όταν χρησιμοποιείται για τις κατάλληλες συνθήκες, θα μειώσει τους τραυματισμούς και τις σωματικές βλάβες.

**γ) Εμποδίστε την ακούσια ενεργοποίηση του εργαλείου. Βεβαιωθείτε ότι ο διακόπτης βρίσκεται στη θέση απενεργοποίησης, πριν συνδέσετε το εργαλείο στην πηγή ρεύματος και/ή τοποθετήσετε το πακέτο μπαταρίας, καθώς και πριν πάρετε στα χέρια σας ή μεταφέρετε το εργαλείο.** Η μεταφορά ηλεκτρικών εργαλείων με το δάχτυλο πάνω στο διακόπτη ή η σύνδεση στο ρεύμα ηλεκτρικών εργαλείων με το διακόπτη στη θέση ενεργοποίησης, ενέχει κινδύνους ατυχημάτων.

**δ) Πριν θέσετε το ηλεκτρικό εργαλείο σε λειτουργία, αφαιρέστε τυχόν εργαλεία ή κλειδιά ρύθμισης.** Εάν αφήσετε ένα εργαλείο ή κλειδί πάνω σε κάποιο περιστρεφόμενο εξάρτημα του ηλεκτρικού εργαλείου, μπορεί να προκληθούν τραυματισμοί.

**ε) Μην τεντώνετε υπερβολικά. Διατηρείτε πάντα σταθερή στήριξη στα πόδια σας και καλή ισορροπία.** Έτσι μπορείτε να έχετε καλύτερο έλεγχο του ηλεκτρικού εργαλείου σε μη αναμενόμενες καταστάσεις.

- ζ) Να είστε ενδεδυμένοι κατάλληλα. Μη φοράτε φορδιά ρούχα ούτε κοσμήματα. Κρατάτε τα μαλλιά και τα ρούχα σας μακριά από κινούμενα μέρη. Τα φορδιά ρούχα, τα κοσμήματα και τα μακριά μαλλιά μπορούν να πιαστούν σε κινούμενα μέρη.
- η) Αν παρέχονται διατάξεις για τη σύνδεση εξοπλισμού απομάκρυνσης και συλλογής της σκόνης, να βεβαιώνετε ότι αυτές έχουν συνδεθεί και χρησιμοποιούνται σωστά. Η χρήση διατάξεων συλλογής της σκόνης μπορεί να μειώσει τους κινδύνους που προέρχονται από τη σκόνη.
- θ) Μην αφήνετε την εξοικείωση που έχετε αποκτήσει από τη συχνή χρήση εργαλείων να σας επιτρέψει να εφησυχάσετε ώστε να αγνοείτε τις αρχές ασφαλούς χρήσης των εργαλείων. Μια απρόσεκτη ενέργεια μπορεί να προκαλέσει βαρύ τραυματισμό μέσα σε κλάσματα του δευτερολέπτου.
4. Χρήση και φροντίδα ηλεκτρικών εργαλείων
- α) Μην υπερφορτώνετε το ηλεκτρικό εργαλείο. Χρησιμοποιείτε το σωστό ηλεκτρικό εργαλείο για την εφαρμογή σας. Το σωστό ηλεκτρικό εργαλείο θα εκτελέσει την εργασία καλύτερα και ασφαλέστερα, με την ένταση χρήσης για την οποία σχεδιάστηκε.
- β) Μην χρησιμοποιείτε το ηλεκτρικό εργαλείο αν ο διακόπτης του δεν το ενεργοποιεί και απενεργοποιεί. Οποιοδήποτε ηλεκτρικό εργαλείο του οποίου η λειτουργία δεν μπορεί να ελεγχθεί με το διακόπτη είναι επικίνδυνο και πρέπει να επισκευαστεί.
- γ) Αποσυνδέστε το φως από την πηγή ρεύματος και/ή αφαιρέστε το πακέτο μπαταρίας, αν είναι αποσπώμενο, από το ηλεκτρικό εργαλείο πριν πραγματοποιήσετε οποιοδήποτε ρυθμίσεις, αλλάξετε αξεσουάρ ή αποθηκεύσετε ηλεκτρικά εργαλεία. Τέτοια προληπτικά μέτρα ασφαλείας μειώνουν το κίνδυνο αθέλητης εκκίνησης του ηλεκτρικού εργαλείου.
- δ) Να φυλάσσετε μακριά από παιδιά τα ηλεκτρικά εργαλεία που δεν χρησιμοποιείτε και μην αφήνετε να χρησιμοποιήσουν ηλεκτρικό εργαλείο άτομα που δεν είναι εξοικειωμένα με αυτό ή άτομα που δεν έχουν διαβάσει αυτές τις οδηγίες χρήσης. Τα ηλεκτρικά εργαλεία είναι επικίνδυνα στα χέρια μη εκπαιδευμένων χρηστών.
- ε) Συντηρείτε τα ηλεκτρικά εργαλεία και τα αξεσουάρ. Ελέγχετε για προβλήματα ευθυγράμμισης ή για μάγκωμα των κινούμενων εξαρτημάτων, θραύση εξαρτημάτων, καθώς και για οποιοδήποτε άλλο πρόβλημα μπορεί να επηρεάσει τη λειτουργία των ηλεκτρικών εργαλείων. Αν το ηλεκτρικό εργαλείο έχει υποστεί ζημιά, φροντίστε να επισκευαστεί πριν το χρησιμοποιήσετε. Η ανεπαρκής συντήρηση των ηλεκτρικών εργαλείων αποτελεί αιτία πολλών ατυχημάτων.
- ζ) Διατηρείτε τα κοπτικά εργαλεία κοφτερά και καθαρά. Τα κοπτικά εργαλεία με κοφτερές κοπτικές αιχμές που συντηρούνται σωστά έχουν λιγότερες πιθανότητες να μαγκώσουν και ελέγχονται ευκολότερα.
- η) Να χρησιμοποιείτε τα ηλεκτρικά εργαλεία, τα αξεσουάρ, τις μύτες εργαλείων κλπ. σύμφωνα με τις παρούσες οδηγίες, λαμβάνοντας υπόψη σας τις συνθήκες εργασίας και την εργασία που θέλετε να εκτελέσετε. Η χρήση του ηλεκτρικού εργαλείου για εργασίες διαφορετικές από τις προβλεπόμενες θα μπορούσε να οδηγήσει σε επικίνδυνη κατάσταση.
- θ) Διατηρείτε τις λαβές και τις επιφάνειες κρατήματος στεγνές, καθαρές και απαλλαγμένες από λάδι και γράσο. Οι ολισθηρές λαβές και επιφάνειες κρατήματος δεν επιτρέπουν μια ασφαλή χειρισμό και έλεγχο του εργαλείου σε μη αναμενόμενες καταστάσεις.
5. Σέρβις
- α) Το σέρβις του ηλεκτρικού σας εργαλείου πρέπει να αναλαμβάνει έμπειρος τεχνικός που θα χρησιμοποιεί μόνο γνήσια ανταλλακτικά. Έτσι θα εξασφαλίσετε τη διατήρηση της ασφάλειας του ηλεκτρικού εργαλείου.

### Πρόσθετες προειδοποιήσεις ασφαλείας για ηλεκτρικά εργαλεία

- Περιμένετε να ακινητοποιηθεί το κοπτικό προτού ακουμπήσετε κάτω το εργαλείο. Ένα εκτεθειμένο κοπτικό μπορεί να εμπλακεί στην επιφάνεια με αποτέλεσμα την πιθανή απώλεια ελέγχου και σοβαρό τραυματισμό.
- Να κρατάτε το ηλεκτρικό εργαλείο από μονωμένη επιφάνεια λαβής, επειδή το κοπτικό μπορεί να έρθει σε επαφή με το ίδιο του το καλώδιο. Η κοπή ενός ηλεκτροφόρου καλωδίου μπορεί να καταστήσει και τα εκτεθειμένα μεταλλικά μέρη του ηλεκτρικού εργαλείου ηλεκτροφόρα και να προκαλέσει ηλεκτροπληξία στο χειριστή του.
- Χρησιμοποιείτε σφιγκτήρες ή άλλο πρακτικό μέσο για να στερεώνετε και να στηρίζετε το αντικείμενο εργασίας σε σταθερό υπόβαθρο. Η συγκράτηση του αντικείμενου εργασίας με το χέρι σας ή επάνω στο σώμα σας το καθιστά ασταθές και μπορεί να οδηγήσει σε απώλεια του ελέγχου.
- Φοράτε μάσκα προστασίας από σκόνη.
- Διατηρείτε το κοπτικό κοφτερό. Τα κοπτικά που είναι στομωμένα ή έχουν υποστεί ζημιά μπορεί να προκαλέσουν παρέκκλιση της πλάνης ή διακοπή της λειτουργίας της υπό πίεση. Πάντοτε χρησιμοποιείτε τον κατάλληλο τύπο κοπτικού για το ηλεκτρικό εργαλείο.
- Μην αγιάγετε το αντικείμενο εργασίας ή το κοπτικό αμέσως μετά τη χρήση του εργαλείου. Μπορούν να αποκτήσουν υψηλή θερμοκρασία.

- Αφαιρέστε όλα τα καρφιά και τα μεταλλικά αντικείμενα από το αντικείμενο εργασίας πριν το πλάνισμα.
- Πάντα να κρατάτε το εργαλείο με τα δύο χέρια και από τις παρεχόμενες λαβές.
- Αποσυνδέστε αμέσως το καλώδιο από την πρίζα εάν φθαρεί ή κοπεί.



**Προειδοποίηση!** Η επαφή ή η εισπνοή της σκόνης που δημιουργούν οι εφαρμογές πλάνισματος μπορεί να ενέχουν κίνδυνο για την υγεία του χειριστή και των παρευρισκομένων. Φορέστε μάσκα σκόνης ειδικά σχεδιασμένη για προστασία από τη σκόνη και τις αναθυμιάσεις και βεβαιωθείτε ότι τα άτομα που βρίσκονται ή εισέρχονται στο χώρο εργασίας είναι επίσης προστατευμένα.

- Αυτό το εργαλείο δεν προορίζεται για χρήση από άτομα (στα οποία περιλαμβάνονται και τα παιδιά) με μειωμένες φυσικές, αντιληπτικές ή διανοητικές ικανότητες ή άτομα χωρίς εμπειρία και γνώσεις, παρά μόνο εφόσον επιτηρούνται ή τους έχουν δοθεί οδηγίες σχετικά με τη χρήση του εργαλείου από άτομο υπεύθυνο για την ασφάλειά τους. Τα παιδιά πρέπει να επιτηρούνται, ώστε να διασφαλίζεται ότι δεν παίζουν με τη συσκευή.
- Η προβλεπόμενη χρήση περιγράφεται στο παρόν εγχειρίδιο οδηγιών. Η χρήση οποιουδήποτε αξεσουάρ ή προσαρτήματος ή η εκτέλεση με αυτό το εργαλείο οποιασδήποτε εργασίας διαφορετικής από αυτές που συνιστώνται στο παρόν εγχειρίδιο οδηγιών ενδέχεται να εγκυμονεί κίνδυνο σωματικής βλάβης και/ή υλικών ζημιών.

### Ασφάλεια τρίτων

- Η συσκευή αυτή δεν προορίζεται για χρήση από άτομα (περιλαμβανομένων παιδιών) με μειωμένες σωματικές, αισθητηριακές ή διανοητικές ικανότητες, ή με έλλειψη εμπειρίας και γνώσης, εκτός αν σε αυτά έχει παρασχεθεί από άτομο υπεύθυνο για την ασφάλειά τους επίβλεψη ή εκπαίδευση σχετικά με τη χρήση της συσκευής.
- Τα παιδιά πρέπει να επιτηρούνται, ώστε να διασφαλίζεται ότι δεν παίζουν με τη συσκευή.

### Υπολειπόμενοι κίνδυνοι

Κατά τη χρήση του εργαλείου μπορεί να δημιουργηθούν πρόσθετοι υπολειπόμενοι κίνδυνοι, οι οποίοι ενδέχεται να μη συμπεριλαμβάνονται στις προειδοποιήσεις ασφαλείας που εσωκλείονται. Αυτοί οι κίνδυνοι μπορεί να προκληθούν από κακή χρήση, παρατεταμένη χρήση κλπ.

Παρά την εφαρμογή των σχετικών κανονισμών ασφαλείας και τη χρήση διατάξεων ασφαλείας, ορισμένοι υπολειπόμενοι κίνδυνοι δεν είναι δυνατό να αποφευχθούν. Σε αυτούς περιλαμβάνονται:

- Τραυματισμοί από την επαφή με οποιαδήποτε περιστεφόμενα/κινούμενα μέρη.
- Τραυματισμοί από αλλαγή οποιουδήποτε εξαρτημάτων, λεπίδων ή αξεσουάρ.
- Σωματικές βλάβες από παρατεταμένη χρήση εργαλείου. Όταν χρησιμοποιείτε οποιοδήποτε εργαλείο για παρατεταμένα χρονικά διαστήματα, μην παραλείπετε με κανένα τρόπο να κάνετε τακτικά διαλείμματα.

- Βλάβη της ακοής.
- Κίνδυνοι για την υγεία λόγω εισπνοής σκόνης που αναπτύσσεται κατά τη χρήση του εργαλείου (παράδειγμα:- εργασία με ξύλο, ειδικά βελανιδιά, οξιά και MDF).

### Κραδασμοί

Η δηλωμένη τιμή εκπομπής κραδασμών που αναφέρεται στα τεχνικά χαρακτηριστικά και τη δήλωση συμμόρφωσης έχει μετρηθεί σύμφωνα με τυποποιημένη μέθοδο δοκιμής που προβλέπεται από το πρότυπο EN62841 και μπορεί να χρησιμοποιηθεί για τη σύγκριση ενός εργαλείου με ένα άλλο. Η δηλωμένη τιμή εκπομπής κραδασμών μπορεί επίσης να χρησιμοποιηθεί σε έναν προκαταρκτικό προσδιορισμό της έκθεσης σε κραδασμούς.



**Προειδοποίηση!** Στην πράξη, η τιμή εκπομπής κραδασμών κατά την χρήση του ηλεκτρικού εργαλείου μπορεί να διαφέρει από την τιμή που δηλώθηκε, ανάλογα με τον τρόπο που χρησιμοποιείται το εργαλείο. Το επίπεδο κραδασμών μπορεί να αυξηθεί πάνω από το επίπεδο που έχει δηλωθεί.

Κατά τον προσδιορισμό της έκθεσης σε κραδασμούς για τον καθορισμό των απαιτούμενων μέτρων ασφαλείας σύμφωνα με την οδηγία 2002/44/EK για την προστασία προσώπων που χρησιμοποιούν συχνά ηλεκτρικά εργαλεία στην εργασία τους, μια προσεγγιστική εκτίμηση της έκθεσης σε κραδασμούς πρέπει να λαμβάνει υπόψη τις πραγματικές συνθήκες χρήσης και τον τρόπο χρήσης του εργαλείου, συμπεριλαμβανομένων και όλων των επιμέρους τμημάτων του κύκλου εργασίας, όπως τα χρονικά διαστήματα που το εργαλείο ήταν εκτός λειτουργίας και τα διαστήματα λειτουργίας χωρίς φορτίο, επιπλέον του χρόνου πίεσης της σκανδάλης.

### Ετικέτες πάνω στο εργαλείο

Το εργαλείο φέρει τα παρακάτω προειδοποιητικά σύμβολα μαζί με τον κωδικό ημερομηνίας:



**Προειδοποίηση!** Για να μειωθεί ο κίνδυνος τραυματισμού, ο χρήστης πρέπει να διαβάσει το εγχειρίδιο οδηγιών.

### Ασφαλής χρήση ηλεκτρικού ρεύματος



Αυτό το εργαλείο φέρει διπλή μόνωση. Επομένως, δεν απαιτείται αγωγή γείωσης. Πάντα να ελέγχετε ότι η παροχή ρεύματος αντιστοιχεί στην τάση που αναφέρεται στην πινακίδα στοιχείων.

- Αν το καλώδιο ρεύματος έχει υποστεί ζημία, πρέπει να αντικατασταθεί από τον κατασκευαστή ή εξουσιοδοτημένο κέντρο σέρβις BLACK+DECKER για την αποφυγή κινδύνου.

### Χαρακτηριστικά

Αυτό το εργαλείο διαθέτει μερικά από ή όλα τα παρακάτω χαρακτηριστικά.

1. Διακόπτης ενεργοποίησης/ απενεργοποίησης (On/Off)
2. Κουμπί ασφάλισης



3. Στόμιο εξαγωγής πλανιδιών
4. Επιλογέας στομίου αποβολής πλανιδιών
5. Κουμπί ρύθμισης βάθους πλανίσματος
6. Κλίμακα βάθους πλανίσματος

## Συναρμολόγηση



**Προειδοποίηση!** Πριν από τη συναρμολόγηση, βεβαιωθείτε ότι το εργαλείο είναι απενεργοποιημένο και ότι το φως δεν είναι συνδεδεμένο στην πρίζα.

## Αντικατάσταση των λεπίδων κοπής (εικ. Α)

Οι λεπίδες κοπής που παρέχονται με αυτό το εργαλείο είναι αναστρέψιμες. Ανταλλακτικές λεπίδες κοπής μπορείτε να προμηθευτείτε από τον τοπικό σας έμπορο.

### Αφαίρεση

- Λασκάρετε τα μπουλόνια (7) χρησιμοποιώντας το παρεχόμενο γερμανικό κλειδί.
- Σύρετε τη λεπίδα (8) έξω από την υποδοχή.
- Αντιστρέψτε τη λεπίδα έτσι ώστε η μη χρησιμοποιημένη πλευρά να μπει στη θέση της. Εάν έχουν φθαρεί και οι δύο πλευρές, η λεπίδα πρέπει να αντικατασταθεί.

### Τοποθέτηση

- Σύρετε τη λεπίδα μέσα στην υποδοχή μέχρι να είναι σε πλήρη επαφή με τον αναστολέα άκρου.
- Σφίξτε τα μπουλόνια με το παρεχόμενο γερμανικό κλειδί.



**Προειδοποίηση!** Πάντοτε αντικαθιστάτε και τα δύο κοπτικά.

## Ρύθμιση του βάθους κοπής (εικ. Β)

Το βάθος κοπής υποδεικνύεται από την ένδειξη (9). Μπορείτε να διαβάσετε το εύρος των ρυθμίσεων στην κλίμακα (6).

- Περιστρέψτε το κουμπί ρύθμισης βάθους πλανίσματος (5) στο απαιτούμενο βάθος κοπής.
- Περιστρέψτε το κουμπί στη θέση "P" όποτε το εργαλείο δεν είναι σε χρήση.

## Τοποθέτηση και αφαίρεση του παράλληλου οδηγού (εικ. C)

Ο παράλληλος οδηγός χρησιμοποιείται για το βέλτιστο έλεγχο σε στενά αντικείμενα εργασίας.

- Βιδώστε το κουμπί (11) μέσα στην οπή στο πλευρό της πλάνης και σφίξτε καλά.
- Λασκάρετε το κουμπί ρύθμισης του παράλληλου οδηγού (10).
- Μετακινήστε τον παράλληλο οδηγό στην επιθυμητή θέση.
- Σφίξτε καλά το κουμπί ρύθμισης του παράλληλου οδηγού.

**Σημείωση:** Ο παράλληλος οδηγός πρέπει να βρίσκεται κάτω από την πλάνη όταν είναι τοποθετημένος σωστά.

- Για να αφαιρέσετε τον παράλληλο οδηγό, εργαστείτε με αντίστροφη σειρά.

## Σύνδεση ηλεκτρικής σκούπας στο εργαλείο (εικ. D)

Απαιτείται ένας προσαρμογέας, για τη σύνδεση στο εργαλείο μιας ηλεκτρικής σκούπας ή συστήματος απομάκρυνσης σκόνης. Μπορείτε να αγοράσετε τον προσαρμογέα από τον τοπικό σας έμπορο Black & Decker.

- Περάστε τον προσαρμογέα (12) πάνω στο στόμιο αποβολής πλανιδιών (3).

- Συνδέστε τον εύκαμπο σωλήνα (13) της ηλεκτρικής σκούπας στον προσαρμογέα.

## Τοποθέτηση της σακούλας περισυλλογής πλανιδιών (εικ. E)

Η σακούλα περισυλλογής πλανιδιών είναι ιδιαίτερα χρήσιμη όταν εργάζεστε σε περιορισμένους χώρους.

- Περάστε το έλασμα σύνδεσης (14) της σακούλας πάνω από οποιαδήποτε πλευρά του στομίου αποβολής πλανιδιών (3).
- Για να εμποδίσετε την έξοδο πλανιδιών από την απέναντι πλευρά του στομίου αποβολής ροκανιδιών, μετακινήστε τον επιλογέα στομίου αποβολής πλανιδιών (4) στην απέναντι πλευρά από αυτή της σακούλας.

## Άδειασμα της σακούλας περισυλλογής πλανιδιών

Η σακούλα περισυλλογής πλανιδιών πρέπει να αδειάζεται τακτικά κατά τη χρήση για να μη φράξει.

- Ανοίξτε το φερμουάρ της σακούλας και αδειάστε την πριν συνεχίσετε.

## Χρήση



**Προειδοποίηση!** Αφήνετε το εργαλείο να λειτουργήσει με τον δικό του ρυθμό. Μην το υπερφορτώνετε.

- Ρυθμίστε το βάθος κοπής.
- Αν χρειάζεται, τοποθετήστε και ρυθμίστε τον παράλληλο οδηγό.

## Ενεργοποίηση και απενεργοποίηση

### Ενεργοποίηση

- Κρατήστε πατημένο το κουμπί ασφάλισης (2) και πιέστε το διακόπτη on/off (1).
- Απελευθερώστε το κουμπί ασφάλισης.

### Απενεργοποίηση

- Απελευθερώστε το διακόπτη on/off.

### Πλάνισμα

- Κρατήστε το εργαλείο με τη μύτη του πέδιλου πάνω στην επιφάνεια του αντικείμενου εργασίας.
- Ενεργοποιήστε το εργαλείο.
- Κινήστε το εργαλείο σταθερά προς τα εμπρός για να εκτελέσετε τη διαδρομή κοπής.
- Απενεργοποιήστε το εργαλείο μετά την ολοκλήρωση της διαδρομής.

## Δημιουργία πατούρας (εικ. F)

- Τοποθετήστε και ρυθμίστε τον παράλληλο οδηγό.
- Προχωρήστε όπως και με το πλάνισμα.

## Φαλτσκοπήτη άκρων (εικ. G)

Η εγκοπή σχήματος V στη μύτη του πέδιλου σας επιτρέπει να κόβετε ακμές σε γωνίες 45°, 30° και 15°.

- Κρατήστε το εργαλείο υπό γωνία με την επιθυμητή εγκοπή (20) γύρω από το άκρο του κατεργαζόμενου τεμαχίου και εκτελέστε τη διαδρομή κοπής.

## Στήριγμα στάθμευσης (εικ. H)

Η πλάνη σας είναι εξοπλισμένη με ένα στήριγμα στάθμευσης (21) το οποίο χαμηλώνει αυτόματα στη θέση του όταν το εργαλείο ανασκωθεί από την επιφάνεια εργασίας.



Κατά το πλάνισμα, το στήριγμα στάθμευσης ανυψώνεται καθώς το εργαλείο στρώχνεται μπροστά. Όταν χαμηλώνει το στήριγμα στάθμευσης, η πλάνη μπορεί να ακουμπά στην επιφάνεια εργασίας χωρίς να ακουμπά η λεπίδα.

### Συμβουλές για βέλτιστη χρήση

- Μετακινείτε το εργαλείο σύμφωνα με τα νερά του ξύλου.
- Εάν τα νερά είναι εγκάρσια ή όχι ευθύγραμμα, ή εάν το υλικό του προς αντικείμενου εργασίας είναι ξύλο σκληρού τύπου, ρυθμίστε το βάθος της κοπής ώστε να αφαιρείται μόνο μια πολύ λεπτή στρώση με κάθε πέρασμα και χρησιμοποιήστε πολλά περάσματα για να επιτύχετε το αποτέλεσμα που επιθυμείτε.
- Για να κρατήσετε το εργαλείο σε ευθεία γραμμή, πιέστε το εμπρός μέρος του εργαλείου στην αρχή, και πιέστε το πίσω μέρος του εργαλείου στο τέλος της διαδρομής κοπής.

### Αξεσουάρ

Η απόδοση του εργαλείου σας εξαρτάται από το αξεσουάρ που χρησιμοποιείτε. Τα αξεσουάρ της Black & Decker και της Piranha έχουν κατασκευαστεί μηχανικά με πρότυπα υψηλής ποιότητας και είναι σχεδιασμένα για να ενισχύουν την απόδοση του εργαλείου σας. Χρησιμοποιώντας αυτά τα αξεσουάρ, θα εξασφαλίσετε την καλύτερη δυνατή απόδοση του εργαλείου σας.

Τους παρακάτω τύπους λεπίδας κοπής μπορείτε να προμηθευτείτε από τον τοπικό σας έμπορο:

- Αναστρέψιμες λεπίδες κοπής με άκρο καρβιδίου του βολφραμίου (αρ. ανταλλακτικού X35007, παρέχονται σε ζευγάρι)
- Αναστρέψιμες λεπίδες κοπής από ταχυχάλυβα (αρ. ανταλλακτικού X24192-XJ11, παρέχονται σε ζευγάρι)

### Συντήρηση

Το εργαλείο BLACK+DECKER που έχετε στην κατοχή σας έχει σχεδιαστεί έτσι ώστε να λειτουργεί για μεγάλο χρονικό διάστημα με την ελάχιστη δυνατή συντήρηση. Η συνεχής ικανοποιητική λειτουργία εξαρτάται από τη σωστή φροντίδα και τον τακτικό καθαρισμό.



**Προειδοποίηση!** Πριν πραγματοποιήσετε οποιαδήποτε εργασία συντήρησης, αποσυνδέστε από την πρίζα το εργαλείο. Αποσυνδέστε το φορτιστή από την πρίζα πριν τον καθαρίσετε.

- Καθαρίζετε τακτικά τις εγκοπές εξαιρισμού του εργαλείου χρησιμοποιώντας μια μαλακή βούρτσα ή ένα στεγνό πανί.
- Καθαρίζετε τακτικά το περιβλήμα του μοτέρ με ένα ελαφρά υγρό πανί. Μη χρησιμοποιείτε καθαριστικά που χαράζουν ή περιέχουν διαλύτες.

### Αντικατάσταση του ιμάντα κίνησης (εικ. I)

- Λασκάρτε τις βίδες (15) και αφαιρέστε το κάλυμμα (16).
- Αφαιρέστε τον παλιό ιμάντα κίνησης.

- Τοποθετήστε τον καινούργιο ιμάντα (17) πάνω στις τροχαλίες. Τοποθετήστε τον ιμάντα πρώτα πάνω από τη μεγάλη τροχαλία (18) και στη συνέχεια πάνω από τη μικρή τροχαλία (19), ενώ περιστρέψετε τον ιμάντα συνεχώς με το χέρι.
- Επανατοποθετήστε το κάλυμμα και σφίξτε τις βίδες.

### Επιθεώρηση και αντικατάσταση ψηκτρών μοτέρ (εικ. J)

Οι ψήκτρες πρέπει να επιθεωρούνται τακτικά για φθορά.

- Αφαιρέστε το καπάκι των ψηκτρών (22). Οι ψήκτρες πρέπει να ολισθαίνουν ελεύθερα στο κιβώτιο ψηκτρών. Εάν οι ψήκτρες έχουν φθαρεί μέχρι τις 3" (8 mm) πρέπει να αντικατασταθούν.

Για να επανατοποθετήσετε, πιέστε την καινούρια ψήκτρα μέσα στο κιβώτιο ψηκτρών. Εάν αντικαθιστάτε μια υπάρχουσα ψήκτρα, διατηρήστε τον ίδιο προσανατολισμό όπως όταν αφαιρέθηκε. Επανατοποθετήστε το καπάκι των ψηκτρών (μη σφίξτε πολύ).

### Προστασία του περιβάλλοντος



Χωριστή συλλογή. Τα προϊόντα και οι μπαταρίες που επισημαίνονται με αυτό το σύμβολο δεν πρέπει να απορρίπτονται μαζί με τα κανονικά οικιακά απορρίμματα.

Τα προϊόντα και οι μπαταρίες περιέχουν υλικά που μπορούν να ανακτηθούν ή να ανακυκλωθούν, ώστε να μειωθούν οι ανάγκες για πρώτες ύλες.

Παρακαλούμε να ανακυκλώνετε τα ηλεκτρικά προϊόντα και τις μπαταρίες σύμφωνα με τους τοπικούς κανονισμούς. Περισσότερες πληροφορίες διατίθενται στον ιστότοπο [www.2helpU.com](http://www.2helpU.com)

### Τεχνικά χαρακτηριστικά

		KW750 (Τύπος 5)
Τάση εισόδου	V <sub>~</sub>	230
Κατανάλωση ισχύος	Π	750
Ταχύτητα χωρίς φορτίο	min <sup>1</sup>	16.500
Πλάτος πλάνισματος	mm	82
Βάθος πλάνισματος	mm	2
Βάθος δημιουργίας πατούρας	mm	12
Βάρος	kg	2,9

Συνολικές τιμές κραδασμών (διανυσματικό άθροισμα τριών αξόνων) σύμφωνα με το EN62841:

Τιμή εκπομπής κραδασμών (a), 4,7 m/s<sup>2</sup>

αβεβαιότητα (K) 1,5 m/s<sup>2</sup>

Στάθμη ηχητικής πίεσης κατά EN62841:

Ηχητική πίεση (L<sub>w</sub>) 86,0 dB(A), αβεβαιότητα (K) 3 dB(A)

Ηχητική ισχύς (L<sub>wa</sub>) 97,0 dB(A), αβεβαιότητα (K) 3 dB(A)

**Δήλωση συμμόρφωσης ΕΚ**

ΟΔΗΓΙΑ ΠΕΡΙ ΜΗΧΑΝΗΜΑΤΩΝ



KW750 Ηλεκτρική πλάνη

Η Black & Decker δηλώνει ότι τα προϊόντα αυτά που περιγράφονται στα "τεχνικά χαρακτηριστικά" συμμορφώνονται με:  
EN62841-1:2015, EN62841-2-14:2015.

Αυτά τα προϊόντα συμμορφώνονται και με την Οδηγία 2006/42/ΕΚ, 2014/30/ΕΕ και 2011/65/ΕΕ. Για περισσότερες πληροφορίες, επικοινωνήστε με την Black & Decker στην παρακάτω διεύθυνση ή ανατρέξτε στο πίσω μέρος του εγχειριδίου.

Ο κάτωθι υπογεγραμμένος είναι υπεύθυνος για την κατάρτιση του τεχνικού φακέλου και κάνει αυτή τη δήλωση για λογαριασμό της Black & Decker.

A. P. Smith

Τεχνικός Διευθυντής Σχεδιασμού  
Black & Decker Europe, 270 Bath Road, Slough,  
Berkshire, SL1 4DX, United Kingdom (Ηνωμένο Βασίλειο)  
30/04/2019

**Εγγύηση**

Η Black & Decker είναι σίγουρη για την ποιότητα των προϊόντων της και προσφέρει στους καταναλωτές εγγύηση 24 μηνών από την ημερομηνία αγοράς. Αυτή η εγγύηση συμπληρώνει και με κανένα τρόπο δεν παραβιάζει τα νόμιμα δικαιώματά σας. Η εγγύηση ισχύει εντός της επικράτειας των χωρών μελών της Ευρωπαϊκής Ένωσης και της Ευρωπαϊκής Ζώνης Ελεύθερων Συναλλαγών.

Για να υποβάλετε αξίωση βάσει της εγγύησης, η αξίωση θα πρέπει να είναι σύμφωνη με τους Όρους και προϋποθέσεις της Black & Decker και θα χρειαστεί να υποβάλετε απόδειξη αγοράς στον πωλητή ή σε εξουσιοδοτημένο αντιπρόσωπο επισκευών.

Μπορείτε να αποκτήσετε τους Όρους και προϋποθέσεις της εγγύησης της Black & Decker διαρκείας 2 ετών και να μάθετε την τοποθεσία του πλησιέστερου εξουσιοδοτημένου αντιπροσώπου επισκευών στο Internet στο [www.2helpU.com](http://www.2helpU.com), ή επικοινωνώντας με το τοπικό σας γραφείο Black & Decker στη διεύθυνση που υποδεικνύεται στο παρόν εγχειρίδιο.

Επισκεφθείτε τον ιστότοπό μας [www.blackanddecker.gr](http://www.blackanddecker.gr) για να καταχωρίσετε το νέο σας προϊόν Black & Decker και για να λαμβάνετε ενημερώσεις για νέα προϊόντα και ειδικές προσφορές.



<b>België/Belgique/Luxembourg</b> www.blackanddecker.be enduser.be@sbdinc.com	Stanley Black & Decker Belgium BVBA Egide Walschaertsstraat 16 2800 Mechelen	Tel. NL +32 15 47 37 65 Tel. FR +32 15 47 37 66 Fax. +32 15 47 37 99
<b>Danmark</b>	Black & Decker Roskildevej 22 2620 Albertslund	kundeservice.dk@sbdinc.com www.blackanddecker.dk
<b>Deutschland</b> www.blackanddecker.de infobdgc@sbdinc.com	Stanley Black & Decker Deutschland GmbH Black & Decker Str. 40, D - 65510 Idstein	Tel. 06126 21-0 Fax 06126 21-2980
<b>Ελλάδα</b> www.blackanddecker.gr greece.service@sbdinc.com	Stanley Black & Decker (ΕΛΛΑΣ) Ε.Π.Ε ΓΡΑΦΕΙΑ: Στράβωνος 7 & Βουλιαγμένης 166 74 Γλυφάδα - Αθήνα	Τηλ. 210-8981616 Φαξ 210-8983570
<b>SERVICE:</b>	Ημερος Τόπος 2 -Χάνι Αδάμ 193 00 Ασπρόπυργος - Αθήνα	Τηλ. Service 210-8985208 Φαξ 210-5597598
<b>España</b> www.blackanddecker.es respuesta.posventa@sbdinc.co	Stanley Black & Decker Ibérica, S.C.A. Parc de Negocis "Mas Blau" Edificio Muntadas, c/Bergadá, 1, Of. A6 08820 El Prat de Llobregat (Barcelona)	Tel. 934 797 400 Fax 934 797 419
<b>France</b> www.blackanddecker.fr	Black & Decker (France) S.A.S. 5 allée des Hêtres B.P. 30084 69579 Limonest Cédex	Tel. 04 72 20 39 20 Fax 04 72 20 39 00
<b>Helvetia</b> www.blackanddecker.ch service@rofoag.ch	ROFO AG Gewerbezone Seeblick 3213 Kleinbödingen	Tel. 026-6749393 Fax 026-6749394
<b>Italia</b> www.blackanddecker.it service.italia@sbdinc.com	Stanley Black & Decker Italia Via Energypark 6 20871 Vimercate (MB)	Tel. 039-9590200 Fax 039-9590313 Numero verde 800-213935
<b>Nederland</b> www.blackanddecker.nl enduser.nl@sbdinc.com	Stanley Black & Decker Netherlands BV Holtum Noordweg 35, 6121 RE BORN Postbus 83, 6120 AB BORN	Tel. +31 164 283 065 Fax +31 164 283 200
<b>Norge</b>	Black & Decker Postboks 4613, Nydalen 0405 Oslo	kundeservice.no@sbdinc.com www.blackanddecker.no
<b>Österreich</b> www.blackanddecker.at service.austria@sbdinc.com	Stanley Black & Decker Austria GmbH Oberlaaerstraße 248, A-1230 Wien	Tel. 01 66116-0 Fax 01 66116-614
<b>Portugal</b> www.blackanddecker.pt resposta.posvenda@sbdinc.com	Black & Decker Limited SARL Quinta da Fonte - Edifício Q55 D. Diniz Rua dos Malhões, 2 e 2A - Piso 2 Esquerdo 2770 - 071 Paço de Arcos	Tel. 214667500 Fax 214667580
<b>Suomi</b>	Black & Decker PL47 00521, Helsinki	asiakaspalvelu.fi@sbdinc.com www.blackanddecker.fi
<b>Sverige</b>	Black & Decker AB Box 94, 431 22 Mölndal	kundservice.se@sbdinc.com www.blackanddecker.se
<b>Türkiye</b> www.blackanddecker.com.tr	KALE Hirdavat ve Makina A.Ş. Defterdar Mah. Savaklar Cad. No:15 Edimekapı / Eyüp / İstanbul 34050	Tel. 0212 533 52 55 Fax. 0212 533 10 05
<b>United Kingdom &amp; Republic Of Ireland</b> www.blackanddecker.co.uk emeaservice@sbdinc.com	Black & Decker 270 Bath Road Slough, Berkshire SL1 4DX	Tel. 01753 511234 Fax 01753 512365
<b>Middle East &amp; Africa</b> www.blackanddecker.ae service.me@sbdinc.com	Black & Decker P.O.Box - 17164 Jebel Ali Free Zone (South), Dubai, UAE	Tel. +971 4 8863030 Fax +971 4 8863333