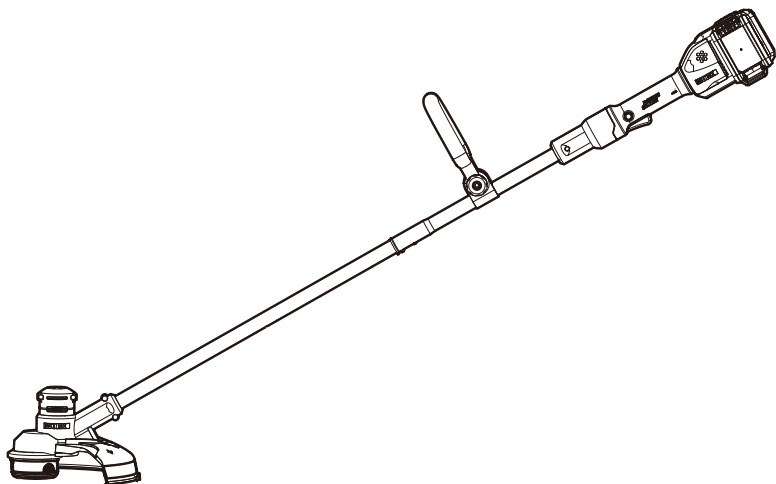


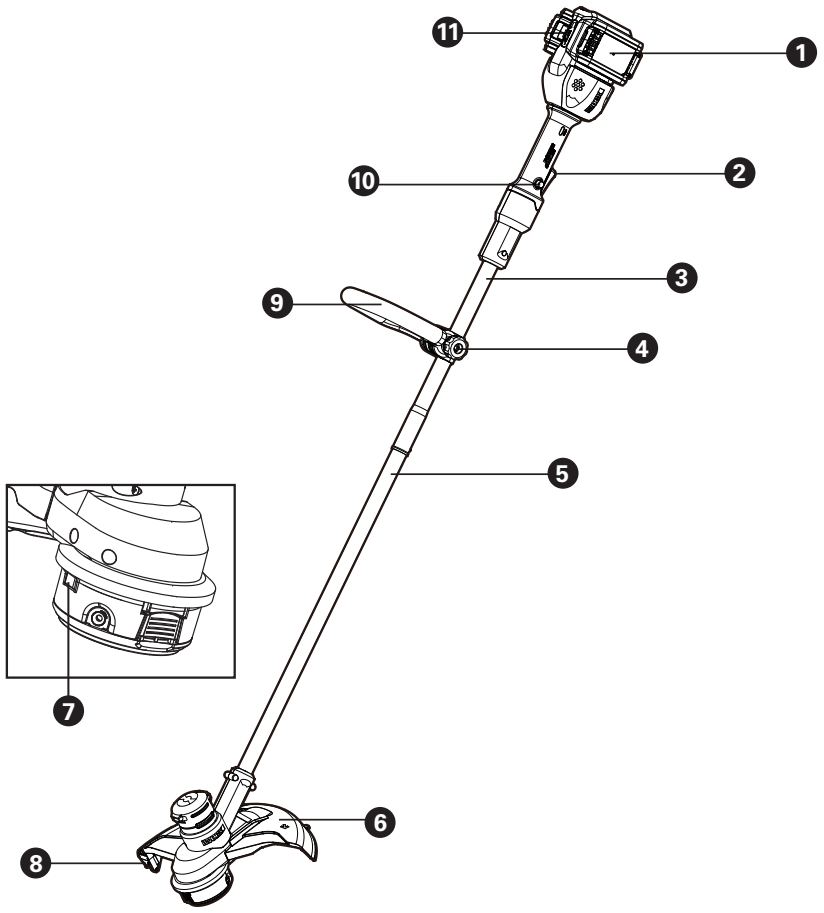
# WORX®

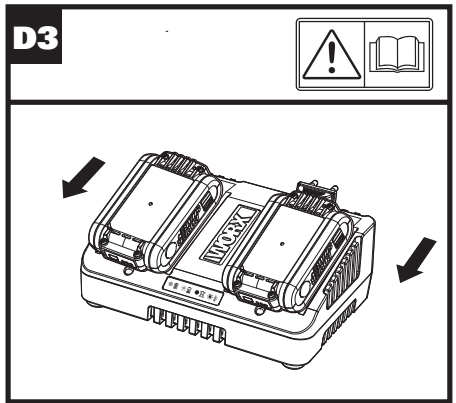
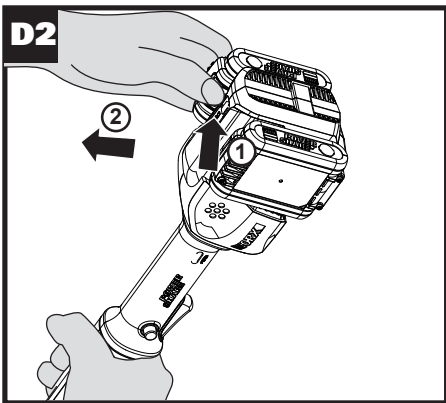
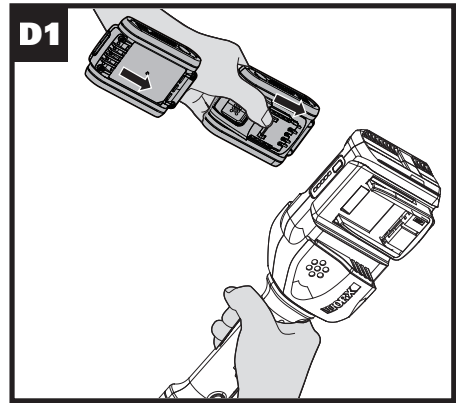
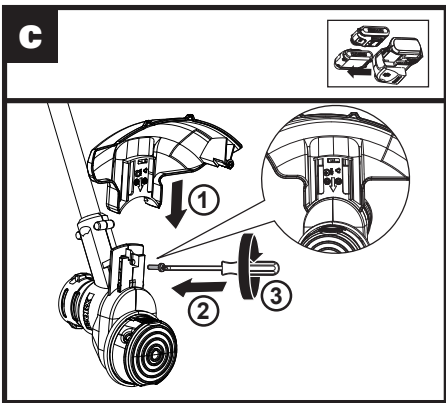
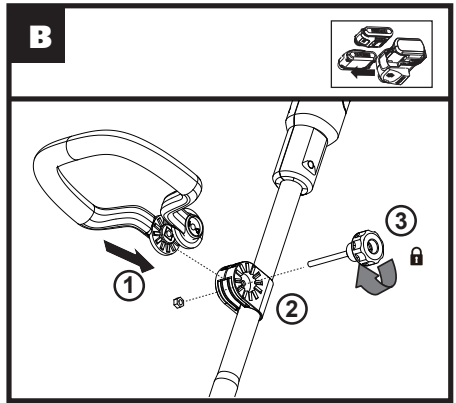
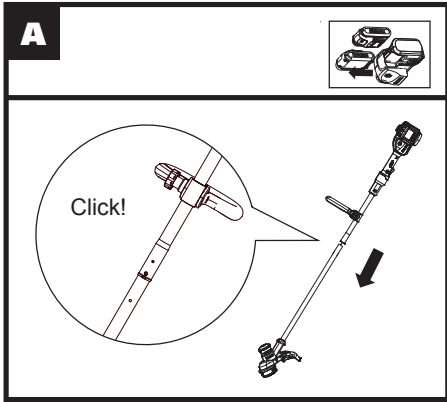


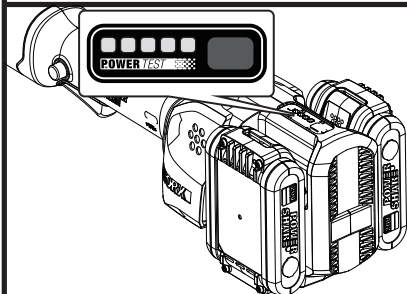
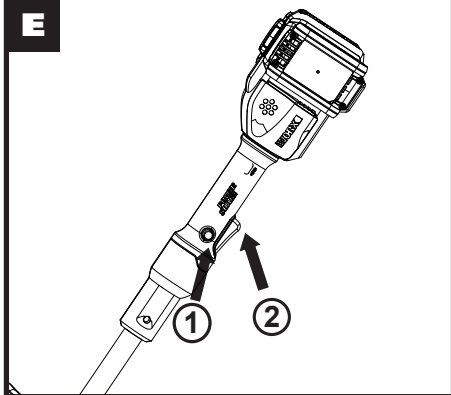
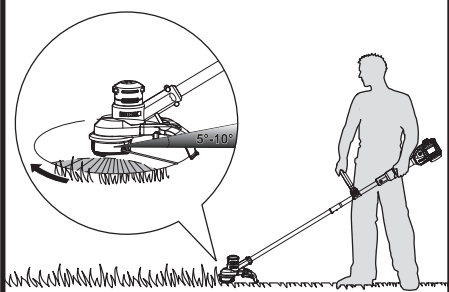
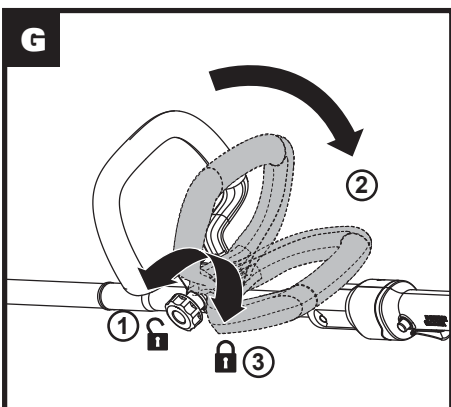
<b>Cordless Grass Trimmer</b>	<b>EN</b>	<b>P08</b>
<b>Kabelloser Grastrimmer</b>	<b>D</b>	<b>P16</b>
<b>Taille bordure sans fil</b>	<b>F</b>	<b>P26</b>
<b>Decespugliatore senza filo</b>	<b>I</b>	<b>P35</b>
<b>Cortacésped sin cable</b>	<b>ES</b>	<b>P44</b>
<b>Aparador de Relva sem Fio</b>	<b>PT</b>	<b>P53</b>
<b>Draadloze grastrimmer</b>	<b>NL</b>	<b>P62</b>
<b>Ledningsfri græstrimmer</b>	<b>DK</b>	<b>P71</b>
<b>Ledningsfri gresstrimmer</b>	<b>NOR</b>	<b>P79</b>
<b>Trådlös grästrimmer</b>	<b>SV</b>	<b>P87</b>
<b>Bezprzewodowa podkaszarka do trawy</b>	<b>PL</b>	<b>P95</b>
<b>Ασύρματο χλοοκοπτικό</b>	<b>GR</b>	<b>P104</b>
<b>Vezeték nélküli fűvágó</b>	<b>HU</b>	<b>P115</b>
<b>Mașină de tuns iarba fără fir</b>	<b>RO</b>	<b>P124</b>
<b>Bezšňůrová strunová sekačka</b>	<b>CZ</b>	<b>P133</b>
<b>Akumulátorový vyžínač trávy</b>	<b>SK</b>	<b>P141</b>
<b>Brezlični rezalnik za travo</b>	<b>SL</b>	<b>P150</b>

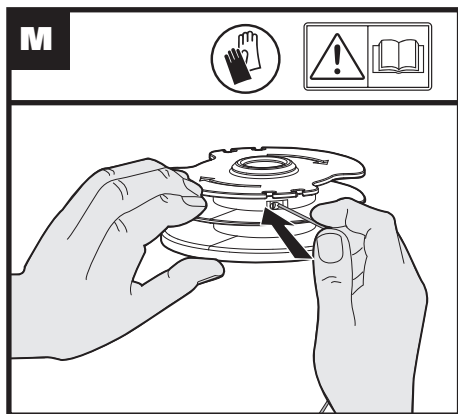
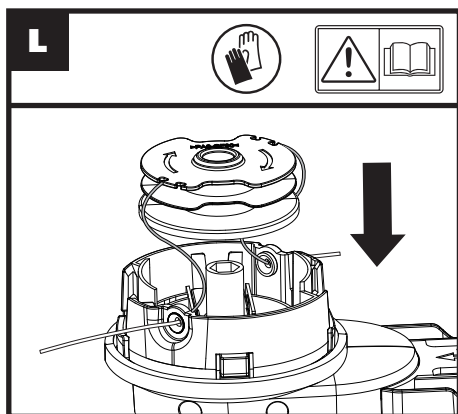
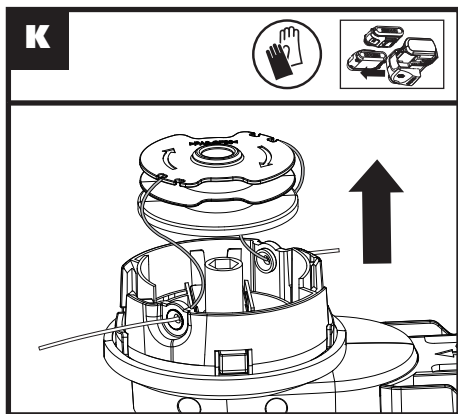
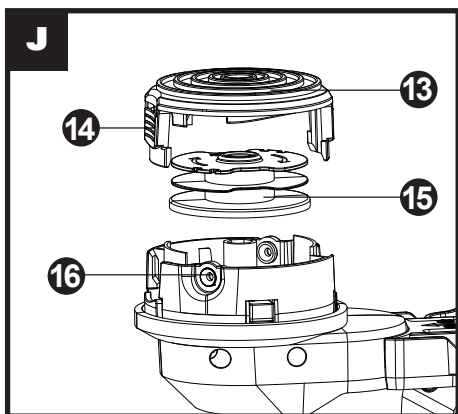
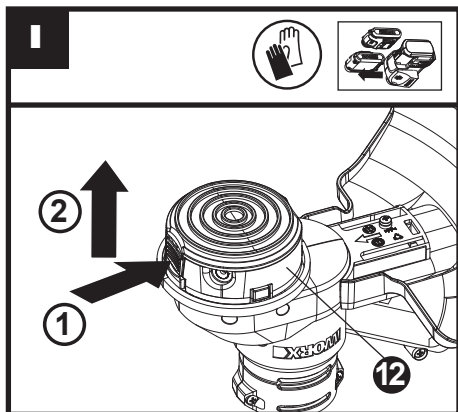
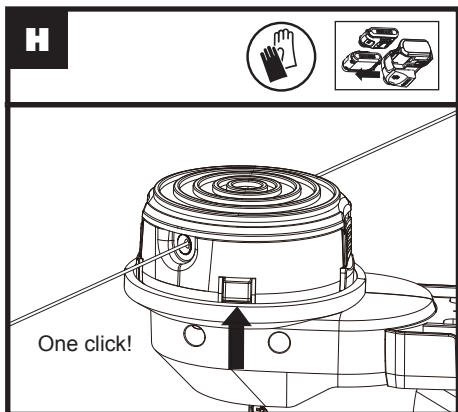
## WG183E WG183E.9

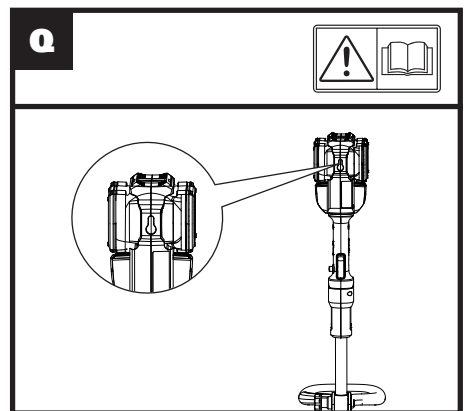
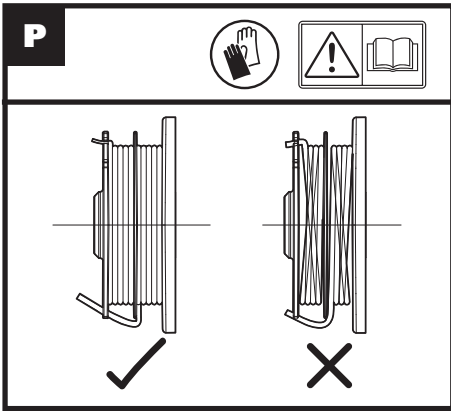
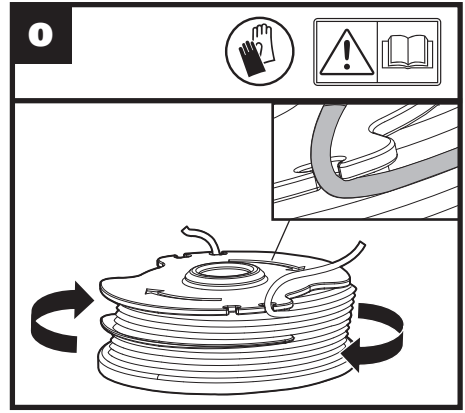
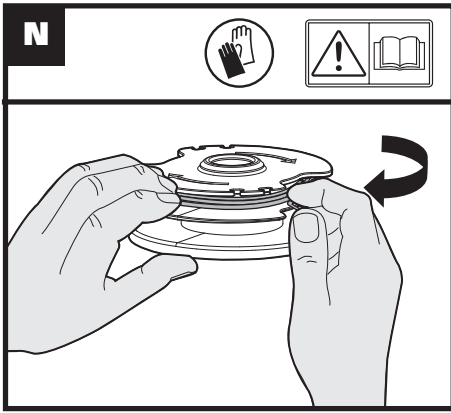
<b>Original Instruction</b>	<b>EN</b>
<b>Originalbetriebsanleitung</b>	<b>D</b>
<b>Notice originale</b>	<b>F</b>
<b>Istruzioni originali</b>	<b>I</b>
<b>Manual original</b>	<b>ES</b>
<b>Manual original</b>	<b>PT</b>
<b>Oorspronkelijke gebruiksaanwijzing</b>	<b>NL</b>
<b>Original brugsanvisning</b>	<b>DK</b>
<b>Original driftsinstruks</b>	<b>NOR</b>
<b>Bruksanvisning i original</b>	<b>SV</b>
<b>Instrukcja oryginalna</b>	<b>PL</b>
<b>ΜΕΤΑΦΡΑΣΗ ΤΩΝ ΠΡΩΤΟΤΥΠΩΝ ΟΔΗΓΙΩΝ</b>	<b>GR</b>
<b>Eredeti használati utasítás</b>	<b>HU</b>
<b>Instrucțiuni originale</b>	<b>RO</b>
<b>Původní návod k používání</b>	<b>CZ</b>
<b>Pôvodný návod na použitie</b>	<b>SK</b>
<b>Izvirna navodila</b>	<b>SL</b>





**D4****E****F****G**





## PRODUCT SAFETY

### GENERAL SAFETY WARNINGS



**WARNING** Read all safety warnings and all instructions. Failure to follow the warnings and instructions may result in electric shock, fire and/or serious injury.

**Save all warnings and instructions for future reference.**

The appliance is only to be used with the power supply unit provided with the appliance.

## IMPORTANT

### READ CAREFULLY BEFORE USE

### KEEP FOR FUTURE REFERENCE

#### Safe operating practices

##### 1. Training

- a) Read the instructions carefully. Be familiar with the controls and the correct use of the machine.
- b) Never allow children, persons with reduced physical, sensory or mental capabilities or lack of experience and knowledge or people unfamiliar with these instructions to use the machine, local regulations may restrict the age of the operator.

- c) Keep in mind that the operator or user is responsible for accidents or hazards occurring to other people or their property.

##### 2. Preparation

- a) Before use, always visually inspect the machine for damaged, missing or misplaced guards or shields.
- b) Never operate the machine while people, especially children, or pets are nearby.

##### 3. Operation

- a) Wear eye protection, long trousers and stout shoes at all times while operating the machine.
- b) Avoid using the machine in bad weather conditions especially when there is a risk of lightning.
- c) Use the machine only in daylight or good artificial light.
- d) Never operate the machine with damaged guards or shields or without guards or shields in place.
- e) Switch on the motor only when the hands and feet are away from the cutting means.
- f) Always disconnect the machine from the power supply (e.g. remove the battery pack from the



- machine)
- 1) whenever the machine is left unattended;
  - 2) before clearing a blockage;
  - 3) before checking, cleaning or working on the machine;
  - 4) after striking a foreign object;
  - 5) whenever the machine starts vibrating abnormally.
- g) Take care against injury to feet and hands from the cutting means. h) Always ensure that the ventilation openings are kept clear of debris.
  - i) Never fit metal cutting elements.
  - j) Always be sure of your footing on slopes.
  - k) Walk, never run.
  - l) Not overreach and keep the balance at all times.
  - m) Not to touch moving hazardous parts before removing the battery pack from the machine and the moving hazardous parts have come to a complete stop.

#### **4. Maintenance and storage**

- a) Disconnect the machine from the power supply (e.g. remove the battery pack from the machine) before carrying out maintenance or cleaning work.
- b) Use only the manufacturer's

recommended replacement parts and accessories.

- c) Inspect and maintain the machine regularly. Have the machine repaired only by an authorized repairer.
- d) When not in use, store the machine out of the reach of children.

### **BATTERY SAFETY SAFETY WARNINGS FOR BATTERY PACK**

- a) Do not dismantle, open or shred cells or battery pack.**
- b) Do not short-circuit a battery pack. Do not store battery packs haphazardly in a box or drawer where they may short-circuit each other or be short-circuited by conductive materials.** When battery pack is not in use, keep it away from other metal objects, like paper clips, coins, keys, nails, screws or other small metal objects, that can make a connection from one terminal to another. Shorting the battery terminals together may cause burns or a fire.
- c) Do not expose battery pack to heat or fire. Avoid**

- storage in direct sunlight.
- d) Do not subject battery pack to mechanical shock.
  - e) In the event of battery leaking, do not allow the liquid to come into contact with the skin or eyes. If contact has been made, wash the affected area with copious amounts of water and seek medical advice.
  - f) Seek medical advice immediately if a cell or battery pack has been swallowed.
  - g) Keep battery pack clean and dry.
  - h) Wipe the battery pack terminals with a clean dry cloth if they become dirty.
  - i) Battery pack needs to be charged before use. Always refer to this instruction and use the correct charging procedure.
  - j) Do not maintain battery pack on charge when not in use.
  - k) After extended periods of storage, it may be necessary to charge and discharge the battery pack several times to obtain maximum performance.
  - l) Battery pack gives its best performance when it is operated at normal room temperature ( $20\text{ }^{\circ}\text{C} \pm 5\text{ }^{\circ}\text{C}$ ).
  - m) When disposing of battery packs, keep battery packs of different electrochemical systems separate from each other.
  - n) Recharge only with the charger specified by Worx. Do not use any charger other than that specifically provided for use with the equipment.  
*A charger that is suitable for one type of battery pack may create a risk of fire when used with another battery pack.*
  - o) Do not use any battery pack which is not designed for use with the equipment.
  - p) Keep battery pack out of the reach of children.
  - q) Retain the original product literature for future reference.
  - r) Remove the battery from the equipment when not in use.
  - s) Dispose of properly.
  - t) Do not mix cells of different manufacture, capacity, size or type within a device.

**u) Do not remove battery pack from its original packaging until required for use.**

**v) Observe the plus (+) and minus (-) marks on the battery and ensure correct use.**

## SYMBOL

	Read operator's manual
	Keep bystanders away
	Wear eye and ear protection
	Do not expose to rain
	Waste electrical products must not be disposed of with household waste. Please recycle where facilities exist. Check with your local authorities or retailer for recycling advice.
	Li-Ion battery This product has been marked with a symbol relating to 'separate collection' for all battery packs and battery pack. It will then be recycled or dismantled in order to reduce the impact on the environment. Battery packs can be hazardous for the environment and for human health since they contain hazardous substances.

	Batteries may enter water cycle if disposed improperly, which can be hazardous for ecosystem. Do not dispose of waste batteries as unsorted municipal waste.
	Do not burn
	Wear protective gloves
	Make sure the battery is removed prior to changing accessories.
	Trimming
	Lock
	Unlock
	Correct
	Incorrect

## COMPONENT LIST

<b>1.</b>	<b>BATTERY PACK *</b>
<b>2.</b>	<b>ON/OFF SWITCH</b>
<b>3.</b>	<b>UPPER SHAFT</b>
<b>4.</b>	<b>HANDLE ADJUSTMENT KNOB</b>
<b>5.</b>	<b>LOWER SHAFT</b>
<b>6.</b>	<b>SAFETY GUARD</b>
<b>7.</b>	<b>LINE FEED BUTTON</b>
<b>8.</b>	<b>LINE CUTTER</b>
<b>9.</b>	<b>AUXILIARY HANDLE</b>

**10. LOCK OFF SWITCH****11. BATTERY INDICATOR LIGHT****12. CUTTING HEAD (SEE FIG.I)****13. SPOOL CAP (SEE FIG. J)****14. CAP RELEASE LATCH (SEE FIG.J)****15. SPOOL (SEE FIG.J)****16. EYELET (SEE FIG.J)**

**\* Not all the accessories illustrated or described are included in standard delivery.**

## TECHNICAL DATA

Type Designation: **WG183E WG183E.9 (1-designation of machinery, representative of Cordless Grass Trimmer)**

	WG183E	WG183E.9
Voltage	40 V $\approx$ MAX (2x20 V MAX) **	
No Load Speed	6800 /min	
Cutting Diameter	33 cm	
Line Diameter	1.65 mm	
Line length	5 m (Dual-Exit)	
Battery type	Lithium-ion	/
Battery Model	WA3551.1(2.0 Ah)	/
Charger Model	WA3772	/
Charger rating	Input: 100-240 V~50/60 Hz, 50 W Output 1: 20 V $\approx$ , 2.0A*** Output 2: 20 V $\approx$ , 2.0A***	/
Charging time (approx.) Battery pack: 2.0 Ah (1 pc) 2.0 Ah (2 pcs)	65 mins 130 mins	/
Machine Weight	2.9 kg	2.2 kg

\*\*Voltage measured without workload. Initial battery voltage reaches maximum of 20 volts. Nominal voltage is 18 volts.

\*\*\* Charger output 1 and output 2 mean two ports with the same output voltage and current.

## ACCESSORIES

	WG183E	WG183E.9
Battery pack (WA3551.1)	2	/
Charger (WA3772)	1	/
Spool (WA0007)	1	1
Spool cap(WA0216)	1	1
Safety guard	1	1
Auxiliary handle	1	1

We recommend that you purchase your accessories listed in the above list from the same store that sold you the lawn trimmer. Refer to the accessory packaging for further details. Store personnel can assist you and offer advice.

## NOISE DATA

A weighted sound pressure  $L_{pA} = 75.8 \text{ dB(A)}$

$K_{pA} = 3.0 \text{ dB(A)}$

A weighted sound power  $L_{WA} = 90.2 \text{ dB(A)}$

$K_{WA} = 3.0 \text{ dB(A)}$

**Wear ear protection.**



## VIBRATION INFORMATION

Typical weighted vibration  $a_h < 2.5 \text{ m/s}^2$

Uncertainty  $K = 1.5 \text{ m/s}^2$

The declared vibration total value may be used for comparing one tool with another, and may also be used in a preliminary assessment of exposure.



**WARNING:** The vibration emission value during actual use of the power tool can differ from the declared value depending on the ways in which the tool is used dependant on the following examples and other variations on how the tool is used:  
How the tool is used and the materials being cut or drilled.  
The tool being in good condition and well maintained  
The use the correct accessory for the tool and ensuring it is sharp and in good condition.  
The tightness of the grip on the handles and if any anti vibration accessories are used.  
And the tool is being used as intended by its design and these instructions.

**This tool may cause hand-arm vibration syndrome if**

### its use is not adequately managed

**WARNING:** To be accurate, an estimation of exposure level in the actual conditions of use should also take account of all parts of the operating cycle such as the times when the tool is switched off and when it is running idle but not actually doing the job. This may significantly reduce the exposure level over the total working period.

Helping to minimise your vibration exposure risk. ALWAYS use sharp chisels, drills and blades. Maintain this tool in accordance with these instructions and keep well lubricated (where appropriate) If the tool is to be used regularly then invest in anti vibration accessories. Plan your work schedule to spread any high vibration tool use across a number of days.

## ASSEMBLY & OPERATION

ACTION	FIGURE
<b>Assembly</b>	
Assembling the Trimmer Shaft	See Fig. A
Assembling the Auxiliary Handle	See Fig. B
Assembling the Safety Guard	See Fig. C
Installing and Removing the Battery Pack <b>NOTE:</b> • <b>This machine will only run when 2 batteries are installed. It is recommended to use the same two batteries and charge the two batteries at the same time.</b> • <b>When you use two batteries with different power, the machine will only run to the lower common denominator.</b>	See Fig. D1,D2
Charging the battery pack <b>NOTE:</b> • The batteries are shipped uncharged. Each battery must be fully charged before the first use. • Always fully charge the two batteries at same time. More details can be found in charger's manual.	See Fig. D3
Battery power indicator on the machine See details in BATTERY STATUS section	See Fig. D4
<b>OPERATION</b>	
On/Off Switch <b>WARNING!</b> The cutting head continues to rotate after the trimmer has been switched off; wait until it has completely stopped then lay down the tool.	See Fig. E

Trimming	See Fig. F
-Adjusting the Auxiliary handle	See Fig. G
Manually feeding the line	See Fig. H
Removing the Cap	See Fig. I
Cutting Head	See Fig. J
Changing the line spool	See Fig. K,L
Manually winding the line	See Fig. M, N,O,P

### BATTERY STATUS (See Fig. D4)

Before starting or after use, press the button beside the power indicator light on the machine to check the battery capacity. During operation, the battery capacity will be indicated automatically by the battery power indicator.

The indicator constantly senses and displays the battery condition as follows.

For the machine with 2 battery packs with different power, the power indicator light displays the battery condition with the lower one of the two batteries.

Battery power indicator status	Battery condition
Five green lights (■ ■ ■ ■ ■) are illuminated.	The two batteries are in a highly charged condition.
Two, three or four green lights are illuminated.	The two batteries have a remaining charge. The more lights are illuminated, the more battery capacity.
Only one green light (■ □ □ □ □) is illuminated.	At least one battery is almost depleted and needs to be charged.
No light is illuminated.	At least one battery is not fully installed or battery may be defective.
Only one light is flashing twice per cycle.	At least one battery is over discharged (please refer to the battery charge condition), please recharge the two batteries at once before use again or storage.
Only one light is flashing three times per cycle.	At least one battery is hot, wait for them cool down before start again.
Only one light is flashing four times per cycle.	The machine is over load. Raise the cutting height or push slowly.

## OPERATION INSTRUCTIONS



**WARNING!** The charger and battery pack are specially designed to work together so do not attempt to use any other devices. Never insert or allow metallic objects into your charger or battery pack connections because of an electrical failure and hazard will occur.

### 1. AUTOMATIC LINE FEED SYSTEM

When initially switching on the trimmer, a small length of line is fed out.

A 'clattering' noise will be heard for a short time. This is normal and is caused by the line being cut by the line cutter. Once the line is cut to the correct length, the 'clattering' noise will stop and the trimmer motor will run at full speed.

To feed more line, stop the trimmer completely, then restart, allowing the motor to reach full speed. Repeat this until you hear the 'clattering' noise of the line cutting. (Do not repeat this procedure more than 6 times)

### 2. MANUALLY FEEDING THE LINE (See Fig. H)

Press and release manual line feed button, whilst gently pull out the lines until the lines reaches the line cutter. When the required amount of line is fed out, gently pull on the second line (there is no need to press the manual line feed button again). If the line extends past the line cutter, too much line has been fed out. If too much line is fed out, remove the spool cap and rotate the spool anticlockwise until the line is at the desired length.

### Removing the Cap (See Fig. I)

Press and hold in the two latches. Pull the spool cap away from the Cutting Head. Keep the cap and spool holder clean from debris. To replace the cap, press it firmly towards the spool holder. Ensure that it is correctly connected by trying to remove it without depressing the two latches.

### Changing the Line Spool (See Fig. K, L)

First take off the cap and remove the old spool. Place new spool into cutting head. Feed one line through the eyelet, then repeat for second line (See Fig. L).

Release line from cleat on the Spool. Reattach the cap.

**WARNING!** Your Trimmer is designed to only use line with a maximum diameter of 0.065" (1.65mm). Only use nylon line.

**IMPORTANT** - Always wind the line onto the upper section of the spool first.

### 3. Manually winding the line (See Fig. M, N, O, P)

Take approximately 5 m line and insert 15 mm of line into one of the holes in the upper section of the spool. Wind the line in the direction of the arrows on the top of the spool.

Leave approximately 100mm of line unwound and place it into the cleat. Repeat on the lower section of spool. Care should be taken to ensure that the line is neatly coiled on the spool. Failure to do so will impair the efficiency of the automatic line feed. Then fit the spool as described above in "Changing the Line Spool".

## STORING YOUR GRASS TRIMMER



**Always remove the battery pack from your trimmer after use.**

### To store your GRASS trimmer

The trimmer is provided with a hanging slot for storing the trimmer on the wall. (See Fig. Q)

Store in a dry place where the trimmer and battery can be protected from damage.

## MAINTENANCE



**Always remove the battery pack from your trimmer after use.**

**Always check the product prior to being used for any damage.**

After use, disconnect the battery from the tool and check for damage.

Your power tool requires no additional lubrication or maintenance. There are no user serviceable parts in your power tool. Never use water or chemical cleaners to clean your power tool. Wipe clean with a dry cloth. Always store your power tool in a dry room temperature location. Keep the motor ventilation slots clean. Keep all working controls free of dust.

## ENVIRONMENTAL PROTECTION



Waste electrical products must not be disposed of with household waste. Please recycle where facilities exist. Check with your local authorities or retailer for recycling advice.

## TROUBLESHOOTING

The following table gives problems and actions that you can perform if your machine does not operate correctly.



**WARNING:** Switch the machine off and remove the battery prior to any troubleshooting.

Problems	Possible Causes	Corrective Action
Trimmer fails to operate.	Battery discharged. Battery too hot/cold. Motor is broken. Internal wiring of machine damaged.	Recharge battery; also see the content in charger manual. Allow to cool/warm. Contact Service Agent. Contact Service Agent.
Trimmer runs intermittently.	Motor is broken. Battery not fully charged. On/Off switch defective.	Contact Service Agent. Recharge battery. Contact Service Agent.
Excessive vibrations/ noise.	Machine defective. Line spool is not wound well.	Contact Service Agent. Rewind the line. See "MANUALLY WINDING THE LINE"
Cutting time per battery charge too short.	Battery has not been used for long period or only charged for short term. Grass too high. Battery defective.	Fully charge battery; also see the content in charger manual. Cut in stages. Replace the battery.
Machine does not cut.	Line broken. Battery not fully charged. Motor is broken (speed is too low). Grass entangled around cutting head.	Replace the line. Recharge battery; also see the content in charger manual Contact Service Agent. Remove grass.
Continuous lighting of the battery charge indicator. No charging procedure possible.	Battery not (properly) inserted. Battery contacts contaminated. Battery defective.	Properly insert battery into battery charger. Clean the battery contacts or replace the battery. Replace the battery.
Battery charge indicator does not light up.	Plug of battery charger not plugged in (properly). Socket outlet, mains cable or battery charger defective.	Insert mains plug (fully) into the socket outlet. Check the mains voltage; have the battery charger checked by an authorized after-sales service agent.
Auto feed does not work	Cutting line is not wound well. The line is tangled. Line is used up.	Manually feed the line, if still can not feed out, remove the Spool out and rewind the line. Replace with a new spool of line.

## DECLARATION OF CONFORMITY

We,  
Positec Germany GmbH  
Grüner Weg 10, 50825 Cologne, Germany

Declare that the product  
Description **Cordless Grass Trimmer**  
Type **WG183E WG183E.9 (1-designation of machinery, representative of Cordless Grass Trimmer)**  
Function **cutting grass and similar soft vegetation and for trimming grass edges**

Complies with the following Directives:  
**2006/42/EC, 2014/30/EU, 2011/65/EU&(EU)2015/863, 2000/14/EC amended by 2005/88/EC**

2000/14/EC amended by 2005/88/EC:  
- Conformity Assessment Procedure as per **Annex VI**  
- Measured Sound Power Level **90.2 dB (A)**  
- Declared Guaranteed Sound Power Level **94 dB(A)**

The notified body involved  
**Name: ISET S.r.l. Unipersonale**  
**Address: Sede Legale e Uffici Via Donatori di sangue,9 – 46024 Moglia (MN)**

Standards conform to  
**EN 60335-1, EN 50636-2-91, EN 62233, EN ISO 3744, EN 55014-1, EN 55014-2**

The person authorized to compile the technical file,  
**Name Marcel Filz**  
**Address Positec Germany GmbH**  
**Grüner Weg 10, 50825 Cologne, Germany**



2020/07/28  
Allen Ding  
Deputy Chief Engineer, Testing & Certification  
Positec Technology (China) Co., Ltd  
18, Dongwang Road, Suzhou Industrial Park, Jiangsu 215123, P. R. China

## PRODUKTSICHERHEIT ALLGEMEINE SICHERHEITSHINWEISE

 **WARNUNG Lesen Sie alle Sicherheitshinweise und Anweisungen.**

*Versäumnisse bei der Einhaltung der Sicherheitshinweise und Anweisungen können elektrischen Schlag, Brand und/oder schwere Verletzungen verursachen.*

**Bewahren Sie alle Sicherheitshinweise und Anweisungen für die Zukunft auf.**

Das Gerät darf nur mit dem mitgelieferten Netzteil verwendet werden.

**WICHTIG  
VOR GEBRAUCH BITTE GENAU DURCHLESEN  
FÜR SPÄTERE BEZUGNAHME AUFBEWAHREN**

### Sichere Arbeitsverfahren

#### 1. Training

- Die Anweisungen aufmerksam durchlesen. Machen Sie sich mit den Bedienelementen und dem vorschriftsmäßigen Gebrauch dieses Gerät vertraut.
- Lassen Sie niemals Kinder, Personen mit



eingeschränkten physischen, sensorischen oder mentalen Fähigkeiten und Erfahrung oder Personen, die nicht mit diesen Anweisungen vertraut sind, die Maschine bedienen. Lokale Vorschriften können das Alter des Bedieners einschränken.

- c) Die Bedienperson bzw. der Benutzer ist für Unfälle oder Schäden an anderen Menschen oder deren Eigentum verantwortlich.

## **2. Vorbereitung**

- a) Bevor Sie die Maschine verwenden, untersuchen Sie diese stets auf sichtbare Schäden, fehlende oder falsch platzierte Abdeckungen oder Schutzschilde.
- b) Benutzen Sie die Maschine niemals während sich Personen, insbesondere Kinder, oder Tiere in unmittelbarer Nähe aufhalten.

## **3. Betrieb**

- a) Tragen Sie beim Betrieb der Maschine stets Augenschutz, lange Hosen und festes Schuhwerk.
- b) Vermeiden Sie die Nutzung der Maschine bei schlechtem

Wetter, besonders wenn die Gefahr eines Blitzschlags besteht.

- c) Verwenden Sie die Maschine nur bei Tageslicht oder gutem künstlichen Licht.
- d) Bedienen Sie die Maschine niemals mit beschädigten oder fehlenden Schutzvorrichtungen oder Abdeckungen.
- e) Schalten Sie den Motor nur ein, wenn die Hände und Füße fern vom Schneidebereich sind.
- f) Klemmen Sie die Maschine stets von der Stromversorgung ab(z. B. entfernen Sie das Akkupack aus der Maschine)
  - 1) wenn die Maschine unbeaufsichtigt gelassen wird;
  - 2) sie ein Hindernis wegräumen;
  - 3) sie die Maschine überprüfen, säubern oder an der Maschine arbeiten;
  - 4) nach der Kollision mit einem Fremdkörper;
  - 5) immer, wenn die Maschine ungewöhnlich zu vibrieren beginnt.
- g) Achten Sie darauf, Ihre Hände und Füße nicht an den Schneidwerkzeugen zu verletzen.
- h) Lüftungsöffnungen

regelmäßig kontrollieren und säubern.

- i) Niemals Schneidvorrichtungen aus Metall anbauen.
- j) Auf schrägen Flächen stets auf sicheren Tritt achten.
- k) Gehen Sie, laufen Sie nicht.
- l) Lehnen Sie sich nicht hinaus, und halten Sie stets das Gleichgewicht.
- m) Berühren Sie keine gefährlichen beweglichen Teile, bevor die Maschine von der Stromversorgung getrennt wurde und die beweglichen Teile vollständig zum Stillstand gekommen sind.

#### **4. Wartung und Aufbewahrung**

- a) Klemmen Sie die Maschine von der Stromversorgung ab (z. B. entfernen Sie das Akkupack aus der Maschine), bevor Sie Wartungs- oder Reinigungsarbeiten durchführen.
- b) Verwenden Sie ausschließlich vom Hersteller empfohlene Ersatzteile und Zubehör.
- c) Untersuchen und warten Sie die Maschine regelmäßig. Lassen Sie die Maschine nur von einem autorisierten

Fachmann reparieren.

- d) Lagern Sie das Gerät außerhalb der Reichweite von Kindern, wenn es nicht gebraucht wird.

### **BATTERIESICHERHEIT SICHERHEIT HINWEISE FÜR AKKUPACK**

**a) Zellen bzw. Akkupack nicht zerlegen, öffnen oder zerdrücken.**

**b) Akkupack nicht kurzschließen. Akkupacks nicht wahllos in einer Schachtel oder Schublade aufbewahren, wo sie einander kurzschließen oder durch andere leitfähige Materialien kurzgeschlossen werden könnten.**


Bei Nichtverwendung des Akkupacks ist dieses von Metallgegenständen fernzuhalten, wie etwa Büroklammern, Münzen, Nägeln, Schrauben oder anderen kleinen Metallgegenständen, wo sich die Batterieklemmen berühren könnten. Das Kurzschließen der Batterieklemmen kann Verbrennungen bzw. einen Brand verursachen.



- c) Zellen bzw. Akkupacks nicht Hitze oder Feuer aussetzen. Lagerung in direktem Sonnenlicht vermeiden.**
- d) Akkupack nicht mechanischen Stößen aussetzen.**
- e) Im Fall, dass Flüssigkeit aus dem Akku austritt, darf diese nicht in Kontakt mit der Haut oder den Augen kommen. Sollte dies dennoch geschehen, den betroffenen Bereich sofort mit viel Wasser spülen und einen Arzt aufsuchen.**
- f) Beim Verschlucken einer Zelle oder eines Akkupacks muss sofort ein Arzt herangezogen werden.**
- g) Akkupack sauber und trocken halten.**
- h) Sollten die Klemmen des Akkupacks schmutzig werden, diese mit einem sauberen, trockenen Tuch abwischen.**
- i) Akkupack muss vor Gebrauch aufgeladen werden. Immer diese Anweisungen beachten und den korrekten Ladevorgang ausführen.**
- j) Akkupack bei Nichtverwendung nicht längere Zeit aufladen lassen.**
- k) Nach längerer Lagerung des Gerätes ist es eventuell notwendig, die Zellen oder das Akkupack mehrere Male aufzuladen und zu entladen, um eine optimale Leistung zu erhalten.**
- l) Akkupacks funktionieren bei normaler Zimmertemperatur (20 °C ± 5 °C) am besten.**
- m) Beim Entsorgen von Akkupacks sollten Akkupacks mit verschiedenen elektrochemischen Systemen voneinander getrennt gehalten werden.**
- n) Nur mit dem von Worx bezeichneten Ladegerät aufladen. Kein Ladegerät verwenden, das nicht ausdrücklich für den Gebrauch mit dem Gerät vorgesehen ist.**  
Ein Ladegerät, das für eine bestimmte Art von Akkupack geeignet ist, kann bei Verwendung mit einem anderen Akkupack eine Brandgefahr darstellen.
- o) Kein Akkupack**

**verwenden, das nicht für den Gebrauch mit dem Gerät vorgesehen ist.**

- p) Akkupacks von Kindern fernhalten.**
- q) Die originalen Produktunterlagen zum späteren Nachschlagen aufbewahren.**
- r) Den Akku bei Nichtverwendung aus dem Gerät nehmen.**
- s) Ordnungsgemäß entsorgen.**
- t) Vermischen Sie keine Zellen verschiedener Hersteller, Kapazitäten, Größen oder Typen innerhalb eines Geräts.**
- u) Nehmen Sie das Akkupack nicht aus der Originalverpackung, bis es verwendet werden soll.**
- v) Beachten Sie die Plus (+) und Minus (-) Markierungen auf dem Akku und stellen Sie die korrekte Anwendung sicher.**

## SYMBOLE

	Bedienungsanleitung lesen
---	---------------------------

	Halten Sie einen Sicherheitsabstand zu Unbeteiligten ein.
	Tragen Sie Augen- und Gehörschutz
	Vor Regen schützen
	Stellen Sie sicher, dass der Akku vor dem Wechseln des Zubehörs entfernt wird.
	Lithium-Ionen-Akku: Dieses Produkt wurde mit einem Symbol markiert, das sich auf die 'gesonderte Sammlung' aller Akkupacks und Akkus bezieht. Es wird anschließend recycelt oder demontiert, um die Beeinträchtigung der Umwelt zu verringern. Akkupacks können die Umwelt und menschliche Gesundheit beeinträchtigen, da diese schädliche Substanzen enthalten.
	Batterien können bei falscher Entsorgung in der Wasserkreislauf gelangen und das Ökosystem bedrohen. Entsorgen Sie alte Batterien nicht im unsortierten Haushaltsabfall.
	Nicht verbrennen
	Schutzhandschuhe tragen
	Make sure the battery is removed prior to changing accessories.
	Trimmen

	Verriegeln
	Entriegeln
	Richtig
	Falsch

## KOMPONENTEN

<b>1. AKKUPACK *</b>
<b>2. EIN/AUS-SCHALTER</b>
<b>3. OBERE ACHSE</b>
<b>4. GRIFF-EINSTELCKNOFF</b>
<b>5. KUPPLUNG FÜR UNTEREN</b>
<b>6. SICHERHEITSSCHUTZ</b>
<b>7. FADENZUFUHRKNOFF</b>
<b>8. SCHNEIDFADEN</b>
<b>9. ZUSATZHANDGRIFF</b>
<b>10. VERRIEGELUNGSSCHALTER</b>
<b>11. AKKU-LADESTANDSANZEIGE</b>
<b>12. SCHNEIDKOPF (SIEHE ABB.I)</b>
<b>13. TROMMELKAPPE (SIEHE ABB. J)</b>
<b>14. KAPPENTRIEGELUNG (SIEHE ABB..J)</b>
<b>15. SPULE (SIEHE ABB..J)</b>
<b>16. ÖSE (SIEHE ABB..J)</b>

\* Abgebildetes oder beschriebenes Zubehör gehört teilweise nicht zum Lieferumfang.

## TECHNISCHE DATEN

Typ **WG183E WG183E.9** (1-Bezeichnung der Maschine, Repräsentativ für den den kabellosen Grastrimmer)

	<b>WG183E</b>	<b>WG183E.9</b>
--	---------------	-----------------

Spannung	40 V $\equiv$ MAX (2x20 V MAX) **	
Leerlaufnendrehzahl	6800 /min	
Fadenlänge	33 cm	
Fadenstärke	1.65 mm	
Fadenlänge	5 m (Doppelter Ausgang)	
Batterietyp	Lithium-Ionen	/
Akkumodell	WA3551.1(2.0 Ah)	/
Ladegerätmodell	WA3772	/
Leistung des Ladegeräts	Eingang: 100-240 V~50/60 Hz, 50W Ausgang 1: 20 V $\equiv$ , 2,0 A*** Ausgang 2: 20 V $\equiv$ , 2,0 A***	/
Ladezeit (Ca.) Batterie-Paket: 2.0 Ah (1 pc) 2.0 Ah (2 pcs)	65 mins 130 mins	/
Gewicht	2.9 kg	2.2 kg

\*\*Spannung ohne Arbeitslast gemessen. Die anfängliche Akkuspannung erreicht maximal 20 Volt. Die Nennspannung liegt bei 18 Volt.

\*\*\* Ladegerät-Ausgang 1 und Ausgang 2 bedeuten zwei Anschlüsse mit gleicher Ausgangsspannung und gleichem Ausgangsstrom.

## ZUBEHÖRTEILE

	WG183E	WG183E.9
Akkupack (WA3551.1)	2	/
Ladegerät (WA3772)	1	/
Spule (WA0007)	1	1
Trommelkappe(WA0216)	1	1
Sicherheitsschutz	1	1
Zusatzhandgriff	1	1

Wir empfehlen Ihnen, sämtliche Zubehörteile beim selben Fachhändler zu beziehen, bei dem Sie auch Ihr Elektrowerkzeug gekauft haben. Weitere Informationen finden Sie auf der Verpackung der Zubehörteile. Auch Ihr Fachhändler berät Sie gerne.

## INFORMATIONEN ÜBER LÄRM

Gewichteter Schalldruck  $L_{pA} = 75.8 \text{ dB(A)}$

$K_{pA} = 3.0 \text{ dB(A)}$

Gewichtete Schalleistung  $L_{WA} = 90.2 \text{ dB(A)}$

$K_{WA} = 3.0 \text{ dB(A)}$

**Tragen Sie einen Gehörschutz.**



## INFORMATIONEN ÜBER VIBRATIONEN

Typischer gewichteter Vibrationswert  $a_h < 2.5 \text{ m/s}^2$

Unsicherheit  $K = 1.5 \text{ m/s}^2$

Der Schwingungsgesamtwert kann zum Vergleichen eines Werkzeugs mit einem anderen verwendet werden, ebenso für eine vorläufige Beurteilung von Belastungen.

**! WARNUNG:** Der Vibrationsemissionswert während des tatsächlichen Gebrauchs des Elektrowerkzeugs kann vom angegebenen Wert abweichen, je nachdem, wie das Werkzeug gemäß folgender Beispiele und anderweitiger Verwendungsmöglichkeiten eingesetzt wird:

Die Verwendung des Werkzeugs und die Art, wie die Materialien geschnitten oder angebohrt werden. Das Werkzeug ist in gutem Zustand und gut gepflegt. Verwendung des richtigen Zubehörs für das Werkzeug und Gewährleistung seiner Schärfe und seines guten Zustands.

Die Festigkeit der Handgriffe und ob Antivibrationszubehör verwendet wird. Und ob das verwendete Werkzeug dem Design und diesen Anweisungen entsprechend verwendet wird.

**Wird dieses Werkzeug nicht angemessen gehandhabt, kann es ein Hand-Arm-Vibrationssyndrom erzeugen.**

**! WARNUNG:** Um genau zu sein, sollte ein Abschätzung des Belastungsgrades aller Arbeitsabschnitte während tatsächlicher Verwendung berücksichtigt werden, z.B. die Zeiten, wenn das Werkzeug ausgeschaltet ist, und wenn es sich im Leerlauf befindet und eigentlich nicht eingesetzt wird. Auf diese Weise kann der Belastungsgrad während der gesamten Arbeitszeit wesentlich gemindert werden.

Minimieren Sie Ihr Risiko, dem Sie bei Vibrationen ausgesetzt sind. Verwenden Sie IMMER scharfe Meißel, Bohrer und Sägeblätter.

Pflegen Sie dieses Werkzeug diesen Anweisungen entsprechend und achten Sie auf eine gute Einfettung (wo erforderlich).

Bei regelmäßiger Verwendung dieses Werkzeugs sollten Sie in Antivibrationszubehör investieren.

Machen Sie einen Arbeitsplan, um die Verwendung von hochvibrierenden Werkzeugen auf mehrere Tage zu

verteilen.

## MONTAGE UND BEDIENUNG

MASSNAHME	ABBILDUNG
<b>MONTAGE</b>	
Montage der Welle des Trimmers	Siehe Abb. A
Montage des zusätzlichen Handgriffs	Siehe Abb. B
Montage der Schutzhaube	Siehe Abb. C
Anbringen Und Entfernen Des Akkus <b>HINWEIS:</b> • <b>Dieser Rasenmäher kann nur mit 2 installierten Akkus betrieben werden. Bitte verwenden Sie immer zwei gleiche Akkus und laden Sie diese gleichzeitig auf.</b> • <b>Wenn Sie zwei Batterien mit unterschiedlichem Ladezustand benutzen, wird das Gerät nur bis zur Entladung der Batterie mit dem niedrigeren Ladezustand laufen.</b>	Siehe Abb. D1,D2
Aufladen des Akkupacks <b>HINWEIS:</b> • Das Akkupack wird ungeladen geliefert. Der Akku muss vor der ersten Nutzung vollständig geladen werden. • Laden Sie die beiden Akkus stets gleichzeitig auf. Weitere Details finden Sie im Handbuch des Ladegeräts.	Siehe Abb. D3
Akku-Ladestandanzeige an der Maschine Details siehe Abschnitt BATTERIELADEZUSTAND	Siehe Abb. D4
<b>BETRIEB</b>	
Ein/Aus-Schalter <b>! WARNUNG!</b> Der Schneidkopf dreht sich auch nach dem Ausschalten des Gerätes weiter. Warten Sie, bis der Kopf stehenbleibt und legen Sie das Werkzeug auf den Boden.	Siehe Abb. E
Trimmen	Siehe Abb. F
- Einstellung Des Zusatzhandgriffes	Siehe Abb. G
Manuelle Zuführung Des Fadens	Siehe Abb. H
So Entfernt man die Kappe	Siehe Abb. I

Schneidkopf	Siehe Abb. J
Auswechseln der Fadenspule	Siehe Abb. K,L
Manuelle Wicklung des Fadens	Siehe Abb. M, N,O,P

### STATUSANZEIGEN DER BATTERIE (Siehe Abb. D4)


Betätigen Sie vor Beginn oder nach Beendigung der Nutzung die Taste auf dem Gerät neben der Strom-Signalleuchte, um die Batteriekapazität zu überprüfen. Während des Betriebs wird die Batteriekapazität automatisch auf der Ladezustandsanzeige der Batterie angezeigt.

Die Anzeige überprüft die Batterie durchgehend und zeigt den Batteriezustand wie folgt an.

Bei einem Gerät mit 2 Batteriepacks mit unterschiedlichem Ladezustand zeigt die Ladezustandsanzeige der Batterie den Zustand der Batterie mit dem jeweils niedrigeren Ladezustand an.

Status der Akku-Ladestandsanzeige	Batterieladezustand
Fünf grüne LEDs (■ ■ ■ ■ ■) leuchten.	Beide Akkus sind vollständig aufgeladen.
Zwei, drei oder vier grüne LEDs leuchten.	Die beiden Akkus haben eine Restladung. Je mehr LEDs leuchten, desto höher ist die Akkukapazität.
Es leuchtet nur eine grüne LED (■ □ □ □ □).	Mindestens ein Akku ist leer und muss aufgeladen werden.
Es leuchtet keine LED.	Mindestens ein Akku ist nicht vollständig installiert oder defekt.
Pro Zyklus blinkt nur eine LED zweimal.	Mindestens ein Akku ist tiefentladen (siehe Ladestatus der Batterie); bitte laden Sie die beiden Akkus auf, bevor Sie diese erneut nutzen oder lagern.
Pro Zyklus blinkt nur eine LED dreimal.	Mindestens ein Akku ist heiß gelaufen; warten Sie vor der Nutzung, bis dieser abgekühlt ist.
Pro Zyklus blinkt nur eine LED dreimal.	Die Maschine ist überlastet. Heben Sie die Schnitthöhe an oder schieben Sie langsam.

## HINWEISE ZUM BETRIEB

 **WARNUNG!** Das Ladegerät und der Akku sind aufeinander abgestimmt und sollten nur gemeinsam verwendet werden. Versuchen Sie nicht, andere Geräte oder Akkus zu verwenden. Achten Sie

darauf, dass keine Metallteile o. ä. die Anschlüsse des Ladegeräts oder des Akkus berühren; andernfalls kann es zu einem gefährlichen Kurzschluss kommen.

### 1. AUTOMATISCHE FADENZUFUHR

Wenn Sie den Trimmer zum ersten Mal einschalten, wird der Faden automatisch ein kleines Stück verlängert. Sobald der Faden das Kappmesser berührt, ist ein „klapperndes“ Geräusch zu hören. Das ist normal und eine Folge davon, dass der Faden vom Fadenschneider geschnitten wird. Sobald der Faden zur korrekten Länge zugeschnitten ist, hört das Klappergeräusch auf und der Motor des Trimmers läuft auf vollen Touren. Schalten Sie dazu den Trimmer ab, lassen Sie ihn zum Stillstand kommen und schalten Sie ihn dann wieder ein, bis er volle Drehzahl erreicht. Wiederholen Sie diesen Vorgang, bis Sie das klappernde Geräusch hören, das entsteht, wenn der Faden gegen das Kappmesser schlägt (max. 6 Mal wiederholen).

### 2. MANUELLE ZUFÜHRUNG DES FADENS (SIEHE ABB. H)


Drücken Sie den Fadenzufuhrknopf und lassen Sie ihn los während Sie vorsichtig einen der beiden Fäden herausziehen, bis er den Fadenschneider erreicht hat. Wenn die benötigte Fadenmenge draußen ist, ziehen Sie vorsichtig am zweiten Faden (Sie müssen nicht nochmals den Fadenzufuhrknopf drücken). Reicht der Faden über den Fadenschneider hinaus, ist zu viel Faden herausgekommen. Wenn zu viel Faden herausgekommen ist, sollten Sie den Spulhalter abnehmen und die Spule gegen den Uhrzeiger klicken, bis der Faden die gewünschte Länge hat.

### SO ENTFERNT MAN DIE KAPPE (SIEHE ABB. I)

Halten Sie die beiden Laschen gedrückt. Ziehen Sie die Abdeckung des Schneidkopfes vom Schneidkopf weg. Halten Sie die Abdeckung des Schneidkopfes und das Innere des Schneidkopfes frei von Rasenresten. Zum Anbringen der Abdeckung des Schneidkopfes drücken Sie diese fest auf den Spulhalter. Kontrollieren Sie, ob die Kappe richtig sitzt, indem Sie versuchen sie zu lösen, ohne auf die beiden Laschen zu drücken.

### AUSWECHSELN DER FADENSPULE (Siehe Abb. K, L)

Nehmen Sie zuerst die Kappe ab und entfernen Sie die alte Spule. Setzen Sie die neue Spule auf den Kappe. Führen Sie einen Faden durch die Öse, und wiederholen Sie den Vorgang mit dem zweiten Faden (Siehe Abb. L). Lösen Sie den Faden von der Klemme auf der Spule. Bringen Sie die Abdeckung des Schneidkopfs wieder an.

 **ACHTUNG!** Der Trimmer ist für Fäden mit einem Durchmesser von maximal 1,65 mm ausgelegt. Verwenden Sie nur Nylonfaden.

**WICHTIG** - Den Faden immer erst auf den oberen Teil der Spule aufwickeln.

### 3. MANUELLE ZUFÜHRUNG DES FADENS (SIEHE ABB. M, N, O, P)

Nehmen Sie einen ungefähr 5 m langen Faden. Schieben Sie ein ca. 15 mm langes Stück Faden in die Öffnungen im oberen Teil der Spule und wickeln Sie die Spule in Richtung der oben auf der Spule markierten Pfeile auf. Wiederholen Sie den Vorgang mit einem anderen Stück Faden am unteren Teil der Spule. Lassen Sie die letzten 100 mm des Fadens heraushängen und klemmen Sie sie fest. Mit dem unteren Teil der Spule genauso verfahren. Achten Sie darauf, dass der Faden gleichmäßig

auf die Spule aufgewickelt ist.. Andernfalls kann die automatische Fadenzufuhr nicht einwandfrei funktionieren.  
Bauen Sie dann die Spule wie unter „Austausch von Spule und Schneidfaden“ beschrieben ein.

## AUFBEWAHRUNG



**Nach Verwendung des Akkupack stets aus Ihrem Trimmer entfernen.**

### Lagerung Ihrer Motorsense

Die Motorsense besitzt eine Aussparung zur Lagerung dieser an der Wand. (Siehe Abb. Q)  
Lagern Sie sie an einem trockenen Ort, wo Motorsense und Akku vor Schäden geschützt sind.

## WARTUNG



**Nach Verwendung des Akkupack stets aus Ihrem Trimmer entfernen.**

## STÖRUNGSBEHEBUNG

In der folgenden Tabelle finden Sie Probleme und Maßnahmen, die Sie ergreifen können, falls Ihre Maschine nicht ordnungsgemäß funktioniert.



**WARNUNG:** Schalten Sie die Maschine aus und entfernen Sie den Akku, bevor Sie Störungen beheben.

Problem	Mögliche Ursachen	Ahbilfemaßnahme
Trimmer funktioniert nicht.	Akku entladen. Akku zu heiß/kalt. Motor ist beschädigt. Leitungen im Geräteinneren sind beschädigt	Akku aufladen; weitere Details finden Sie im Handbuch des Ladegeräts. Gerät abkühlen/erwärmen lassen. Kundendienst kontaktieren.  Kundendienst kontaktieren.
Trimmer arbeitet nur mit Unterbrechungen.	Motor ist beschädigt. Akku nicht vollständig aufgeladen. Ein-/Ausschalter defekt.	Kundendienst kontaktieren. Akku aufladen. Kundendienst kontaktieren.
Übermäßige Vibrationen/ Lärm exzessiv.	Maschine defekt. Fadenspule nicht gut aufgewickelt.	Kundendienst kontaktieren. Faden neu aufwickeln. Siehe unter „So bauen Sie Spule und Manuelle Wicklung des Fadens“.
Schneidezeit per Akkuladung ist zu kurz.	Akku wurde längere Zeit nicht benutzt oder nur kurz aufgeladen. Gras zu hoch. Akku defekt.	Akku voll aufladen; weitere Details finden Sie im Handbuch des Ladegeräts. In Abschnitten trimmen. Akku austauschen.
Maschine schneidet nicht.	Faden abgerissen. Akku nicht voll aufgeladen.  Motor ist beschädigt (Drehzahl ist zu niedrig). Gras hat sich um den Schneidkopf verfangen.	Faden austauschen. Akku aufladen; weitere Details finden Sie im Handbuch des Ladegeräts. Kundendienst kontaktieren.  Gras entfernen.

## Vor Verwendung ist das Produkt stets auf Schäden hin zu überprüfen.

Nach Verwendung das Akkupack stets aus Ihrem Trimmer entfernen.

Ihr Werkzeug benötigt keine zusätzliche Schmierung oder Wartung. Es enthält keine Teile, die Sie warten müssen. Reinigen Sie Ihr Werkzeug niemals mit Wasser oder chemischen Loesungsmitteln. Wischen Sie es mit einem trockenen Tuch sauber. Lagern Sie Ihr Werkzeug immer an einem trockenen Platz. Sorgen Sie dafür, dass bei staubigen Arbeiten die Lüftungsöffnungen frei sind. Halten Sie alle Bedienelemente staubfrei.

## UMWELTSCHUTZ



Elektroprodukte dürfen nicht mit dem normalen Haushaltsmüll entsorgt werden, sondern sollten nach Möglichkeit zu einer Recyclingstelle gebracht werden. Ihre zuständigen Behörden oder Ihr Fachhändler geben Ihnen hierzu gerne Auskunft.



Ununterbrochenes Aufleuchten der Akkuladeanzeige. Kein Ladevorgang möglich.	Akku nicht (richtig) eingelegt. Akkukontakte verunreinigt. Akku defekt.	Akku ordentlich in das Akkuladegerät hineinlegen. Akkukontakte reinigen oder Akku austauschen. Akku austauschen.
Akkuladeanzeige leuchtet nicht auf.	Stecker des Akkuladegerätes ist nicht (vollständig) eingesteckt. Steckdose, Netzkabel oder Akkuladegerät ist defekt.	Netzstecker (vollständig) in Steckdose stecken. Netzspannung prüfen; Batterieladegerät vom technischen Kundendienst überprüfen lassen.
Automatische Fadenzufuhr funktioniert nicht.	Schneidfaden ist nicht gut aufgewickelt. Faden hat sich verfangen. Faden ist aufgebraucht.	Faden manuell führen; wenn noch immer keine Zuführung nach außen, Spule entfernen und Faden nochmals aufwickeln. Durch neue Fadenspule ersetzen.

## KONFORMITÄTSERKLÄRUNG

Wir,  
Positec Germany GmbH  
Grüner Weg 10, 50825 Cologne, Germany

**Erklären Hiermit, Dass Unser Produkt**  
Beschreibung **Kabelloser Grastrimmer**  
Typ **WG183E WG183E.9 (1-Bezeichnung der Maschine, Repräsentativ für den den kabellosen Grastrimmer)**  
Funktion **Gras und ähnlich weiche Vegetation schneiden und Graskanten trimmen**

den Bestimmungen der folgenden Richtlinien entspricht:

**2006/42/EC, 2014/30/EU, 2011/65/EU&(EU)2015/863, 2000/14/EC geändert durch 2005/88/EC**

2000/14/EC geändert durch 2005/88/EC:  
- Konformitätsbewertungsverfahren nach **Anhang VI**  
- Gemessene Schallleistung **90.2 dB (A)**  
- Garantierte Schallleistung **94 dB (A)**

Zertifizierungsstelle  
**Name: ISET S.r.l. Unipersonale**  
**Anschrift: Sede Legale e Uffici Via Donatori di sangue,9 – 46024 Moglia (MN)**

Normen,  
**EN 60335-1, EN 50636-2-91, EN 62233, EN ISO 3744, EN 55014-1, EN 55014-2**

Zur Kompilierung der technischen Datei ermächtigte Person,

**Name Marcel Filz**  
**Anschrift Positec Germany GmbH**  
**Grüner Weg 10, 50825 Cologne, Germany**




2020/07/28  
Allen Ding  
Stellvertretender Cheffingenieur,  
Prüfung und Zertifizierung  
Positec Technology (China) Co., Ltd  
18, Dongwang Road, Suzhou Industrial  
Park, Jiangsu 215123, P. R. China

## **SÉCURITÉ DU PRODUIT**

### **AVERTISSEMENTS DE SÉCURITÉ GÉNÉRAUX**



#### **AVERTISSEMENT**

**Lire tous les avertissements de sécurité et toutes les instructions.** *Ne pas suivre les avertissements et instructions peut donner lieu à un choc électrique, un incendie et/ou une blessure sérieuse.*

**Conserver tous les avertissements et toutes les instructions pour pouvoir s'y reporter ultérieurement.**

L'appareil ne doit être utilisé qu'avec l'unité d'alimentation fournie avec l'appareil.

### **IMPORTANT**

### **LISEZ ATTENTIVEMENT AVANT UTILISATION**

### **CONSERVEZ POUR RÉFÉRENCE FUTURE**

#### **Utilisation en sécurité**

##### **1. Instructions**

- Lire attentivement les instructions, afin de connaître l'utilisation appropriée pour l'appareil.
- Cette machine ne peut pas être utilisée par les enfants, les personnes dont les capacités physiques, sensorielles ou mentales

sont réduites, ou avec un manque d'expérience ou de connaissances, ou bien les personnes ne connaissant pas les consignes d'utilisation de la machine. Les réglementations locales peuvent limiter l'âge d'utilisation de l'opérateur.

- Gardez à l'esprit que l'opérateur ou l'utilisateur est responsable des accidents et des dangers survenant à d'autres personnes ou à leurs biens.

##### **2. Préparation**

- Avant d'utiliser la machine, toujours vérifier visuellement la présence de dommages, les dispositifs de protection ou les blindages manquants ou mal placés.
- Ne pas utiliser la machine, à proximité des gens, particulièrement des enfants, ou des animaux.

##### **3. Fonctionnement**

- Porter des protections des yeux, des pantalons longs et des grosses chaussures.
- Éviter d'utiliser la machine par mauvais temps, en particulier lorsqu'il existe un risque foudre.
- Utiliser l'outil uniquement

- durant la journée ou bien sous un éclairage artificiel puissant.
- d) Ne jamais faire fonctionner la machine quand les dispositifs de protection ou les blindages sont endommagés ou lorsqu'ils ne sont pas à leur place.
  - e) Tenir les mains et les pieds éloignés des éléments de coupe pour allumer le moteur.
  - f) Toujours débrancher la machine de la prise d'alimentation (par ex., retirer la batterie de la machine).
    - 1) quand la machine est laissée sans surveillance ;
    - 2) avant de dégager un encombrement;
    - 3) avant le contrôle, le nettoyage ou toute opération sur la machine;
    - 4) après avoir heurter un objet étranger;
    - 5) quand la machine vibre de façon anormale.
  - g) Faire attention à ne pas se blesser aux mains et aux pieds avec les éléments de coupe.
  - h) Toujours s'assurer que les ouies de ventilation ne sont pas bouchées par des débris.
  - i) Ne jamais utiliser d'éléments coupants en métal.
  - j) S'assurer du bon équilibre sur les pentes.
  - k) Marchez, ne courez jamais.
  - l) Ne pas se projeter trop loin et toujours rester en équilibre.
  - m) Ne pas toucher les parties en mouvement dangereuses avant de débrancher la machine du secteur. Les parties en mouvement doivent être à l'arrêt complet.
- #### 4. Entretien
- a) Débrancher la machine de la source d'alimentation (par ex., retirer la batterie de la machine) avant de procéder à l'entretien ou au nettoyage de la machine.
  - b) N'utiliser que les pièces et les accessoires de conseillés recommandés par le fabricant
  - c) Inspecter et entretenir la machine de manière régulière. Seuls les réparateurs officiels peuvent réparer la machine.
  - d) Lorsqu'elle n'est pas utilisée, stockez la machine hors de portée des enfants.

### **SÉCURITÉ DE LA BATTERIE MISES EN GARDE CONCERNANT LA BATTERIE**

**a) La batterie et les piles secondaires ne doivent**

**pas être ouvertes, démontées ou broyées.**

**b) La batterie ne doit pas être court-circuitée. Évitez de mettre la batterie en vrac dans une boîte ou dans un tiroir où elles risqueraient de se court-circuiter entre elles ou au contact d'autres objets métalliques.** Après usage, évitez tout contact de la batterie avec d'autres objets métalliques de petite taille (trombones, pièces, clés, clous, vis etc.) susceptibles de court-circuiter les pôles. Un court-circuit entre les pôles de la batterie peut être à l'origine de brûlures ou d'un incendie.

**c) La batterie ne doit pas être exposée au feu et à la chaleur. Évitez de la ranger à la lumière du soleil.**

**d) La batterie et les piles ne doivent pas être soumises à des chocs mécaniques.**

**e) En cas de fuite des piles, évitez tout contact du liquide avec la peau et les yeux. En cas de contact, rincez abondamment la surface touchée avec de l'eau et appelez les urgences.**

**f) En cas d'ingestion d'une pile ou d'une batterie, appelez immédiatement les urgences.**

**g) La batterie et les piles doivent rester propres et sèches.**

**h) Si la batterie ou les piles se salissent, essuyez-les avec un chiffon propre et sec.**

**i) La batterie et les piles doivent être chargées avant usage. Utilisez toujours le chargeur adéquat, et respectez les instructions du fabricant ou le mode d'emploi de l'appareil concernant la procédure de recharge.**

**j) Évitez de laisser une batterie se charger pendant trop longtemps lorsqu'elle n'est pas utilisée.**

**k) Après de longues périodes d'inutilisation, il peut être nécessaire de charger et décharger la batterie et les piles à plusieurs reprises avant que celles-ci ne retrouvent leur capacité maximale.**

**l) La batterie et les piles fonctionnent au mieux de leur capacité dans une température ambiante**

normale, comprise entre +15°C et +25°C environ.

- m) Les batteries fonctionnant avec des systèmes électrochimiques différents doivent être mis au rebut séparément.
- n) N'utilisez pas d'autre chargeur que celui spécifié par Worx. N'utilisez pas d'autre chargeur que celui spécifiquement fourni avec l'appareil. Un chargeur destiné à un type de batterie donné peut être à l'origine d'un incendie s'il est utilisé avec une autre batterie.
- o) N'utilisez en aucun cas une batterie autre que celle prévue pour cet appareil.
- p) La batterie doit être tenue hors de portée des enfants.
- q) Gardez la documentation d'origine du produit afin de pouvoir vous y référer ultérieurement.
- r) Enlevez la batterie de l'appareil lorsque vous ne l'utilisez pas.
- s) Respectez les procédures de mise au rebut.
- t) Ne pas mélanger des piles de fabrication, capacité, taille ou type différents dans un appareil.

- u) Ne pas retirer les batteries de leur emballage d'origine avant leur utilisation.
- v) Noter les signes plus (+) et moins (-) sur la batterie et respecter la bonne utilisation.

## SYMBOLES

	Lire le mode d'emploi
	Tenez vous à bonne distance
	Protection des yeux et des oreilles
	Ne pas exposer à la pluie
	Les déchets d'équipements électriques et électroniques ne doivent pas être déposés avec les ordures ménagères. Ils sont collectés pour être recyclés dans des centres spécialisés. Consultez les autorités locales ou votre revendeur pour obtenir des renseignements sur l'organisation de la collecte.
	Batterie Li-Ion Ce produit comporte un symbole de « Collecte séparée » de toutes les batteries. Il sera ensuite recyclé ou démantelé, afin de réduire l'impact sur l'environnement. Les batteries peuvent être dangereuses pour l'environnement et la santé humaine, car elles contiennent des substances dangereuses.

	Les batteries peuvent entrer dans le cycle de l'eau si elles sont éliminées de façon inappropriée, ce qui peut être dangereux pour l'écosystème. Ne pas éliminer les batteries usagées comme un déchet municipal non trié.
	Ne pas brûler
	Portez des gants de protection
	Assurez-vous d'avoir retiré la batterie avant de changer les accessoires.
	Taillage
	Verrouiller
	Déverrouiller
	Correct
	Incorrect

## LISTE DES COMPOSANTS

1. **BATTERIE \***
2. **INTERRUPTEUR DE MARCHE/ARRET**
3. **ARBRE SUPÉRIEUR**
4. **BOUTON DE RÉGLAGE DE LA POIGNÉE**
5. **FLASQUE INFÉRIEUR**
6. **CAPOT DE PROTECTION**
7. **BOUTON DE DISTRIBUTION DU FIL**
8. **COUPE FIL**

9. **POIGNÉE AUXILIAIRE**
10. **CRAN DE SURETÉ**
11. **VOYANT D'ALIMENTATION DE LA BATTERIE**
12. **TÊTE DE COUPE (VOIR FIG.I)**
13. **SUPPORT DE BOBINE (VOIR FIG. J)**
14. **FERMETURE DU COUVERCLE (VOIR FIG.J)**
15. **BOBINE (VOIR FIG.J)**
16. **OEILLET (VOIR FIG.J)**

\* Les accessoires reproduits ou décrits ne sont pas tous compris avec le modèle standard livré.

## CARACTÉRISTIQUES TECHNIQUES

Type **WG183E WG183E.9** (1-désignation des machines, modèle de taille bordure sans fil)

	WG183E	WG183E.9
Tension	40 V $\text{---}$ MAX (2x20 V MAX) **	
Vitesse a vide nominale	6800 /min	
diamètre de coupe	33 cm	
Diamètre du fil	1.65 mm	
Longueur du fil	5 m (Double sortie)	
Type de batterie	Lithium-Ion	/
Modèle de batterie	WA3551.1(2.0 Ah)	/
Modèle de chargeur	WA3772	/
Valeurs nominales du chargeur	Entrée: 100-240 V~50/60 Hz, 50 W Sortie 1: 20 V $\text{---}$ , 2.0A*** Sortie 2: 2.0V $\text{---}$ , 2.0 A***	
Temps de chargement (environ) Batterie: 2.0 Ah (1 pc) 2.0 Ah (2 pcs)	65 mins 130 mins	
Poids	2.9 kg	2.2 kg

\*\* La tension est mesurée à vide. La tension initiale de la batterie atteint un maximum de 20 volts. La tension nominale est de 18 volts.

\*\*\* Les sorties de chargeur 1 et 2 impliquent deux ports avec la même tension de sortie et le même courant.

## ACCESSOIRES

	WG183E	WG183E.9
Batterie (WA3551.1)	2	/
Chargeur (WA3772)	1	/
Bobine (WA0007)	1	1
Support de bobine (WA0216)	1	1
Capot de protection	1	1
Poignée auxiliaire	1	1

Nous recommandons d'acheter tous les accessoires dans le magasin d'acquisition de la machine. Pour plus d'informations, se référer à l'emballage des accessoires. Le personnel du magasin est également là pour vous conseiller.

## INFORMATIONS RELATIVES AU BRUIT

Niveau de pression acoustique	$L_{pA} = 75.8 \text{ dB(A)}$
$K_{pA}$	3.0 dB(A)
Niveau de puissance acoustique	$L_{WA} = 90.2 \text{ dB(A)}$
$K_{WA}$	3.0 dB(A)

**Porter des protections auditives.**



## INFORMATIONS RELATIVES AUX VIBRATIONS

Valeur de vibration mesurée	$a_h < 2.5 \text{ m/s}^2$
Incertitude	$K = 1.5 \text{ m/s}^2$

La valeur totale de vibration déclarée peut être utilisée pour comparer un outil à un autre, et peut également être utilisée dans une évaluation préliminaire de l'exposition.

**AVERTISSEMENT:** La valeur d'émission de vibrations pendant l'utilisation réelle de l'outil

électrique peut différer de la valeur déclarée selon la manière dont l'outil est utilisé, selon les exemples suivants et d'autres variations sur la manière dont l'outil est utilisé: Comment l'outil est utilisé et quels matériaux sont coupés ou percés.

L'outil est en bon état et bien entretenu. L'utilisation du bon accessoire pour l'outil et l'assurance qu'il est affûté et en bon état.

La bonne tenue des poignées et, le cas échéant, les accessoires anti-vibrations utilisés.

L'outil est utilisé comme prévu dans sa conception et dans le présent mode d'emploi.

**Cet outil peut causer un syndrome des vibrations main-bras s'il n'est pas correctement géré.**



**AVERTISSEMENT:** Pour être précise, une évaluation du niveau d'exposition en conditions réelles d'utilisation doit également tenir compte de toutes les parties du cycle d'utilisation telles que les moments où l'outil est éteint, et ceux où il fonctionne au ralenti mais ne réalise pas réellement de tâche. Ceci peut réduire de manière significative le niveau d'exposition et la durée d'utilisation totale.

Afin de minimiser le risque d'exposition aux vibrations: Utilisez TOUJOURS des burins, des forets et des lames affûtés.


Entretenez cet outil de manière conforme au mode d'emploi et maintenez-le lubrifié (le cas échéant).

Si l'outil doit être utilisé régulièrement, investissez dans des accessoires anti-vibrations.

Planifiez votre travail pour étaler l'utilisation des outils à forte vibration sur plusieurs jours.

## ASSEMBLAGE ET FONCTIONNEMENT

ACTION	FIGURE
<b>ASSEMBLAGE</b>	
Assemblage de l'arbre de coupe	Voir Fig. A
Assemblage de la poignée auxiliaire	Voir Fig. B
Assemblage du capot protecteur	Voir Fig. C
Enlever Ou Installer La Batterie	
<b>REMARQUE:</b> • Cette tondeuse ne fonctionnera qu'avec deux batteries installées. Veuillez toujours utiliser les deux mêmes batteries et rechargez-les en même temps. • Lorsque vous utilisez deux batteries de puissance différente, la machine ne fonctionnera qu'au dénominateur commun inférieur.	Voir Fig. D1,D2

Recharge du pack de batteries <b>REMARQUE:</b> • Le pack de batteries est livré non chargé. La batterie doit être complètement chargée avant la première tonte. • Rechargez toujours complètement les deux batteries en même temps. Pour plus d'informations, reportez-vous au manuel du chargeur.	Voir Fig. D1,D2
Voyant d'alimentation de la batterie sur la machine Voir détails dans la partie ÉTAT DE LA BATTERIE	Voir Fig. D3
<b>FONCTIONNEMENT</b>	
Interrupteur de marche/arrêt  <b>AVERTISSEMENT!</b> La tête de coupe continue de tourner après que le coupe-gazon a été éteint; attendez qu'il soit arrêté pour reposer l'outil.	Voir Fig. E
Taillage	Voir Fig. F
- Réglage de la poignée auxiliaire	Voir Fig. G
Pour Distribuer Manuellement Le Fil	Voir Fig. H
Enlever le bouchon	Voir Fig. I
Tête de coupe	Voir Fig. J
Changement de la bobine de fil	Voir Fig. K,L
Enrouler Manuellement La ligne	Voir Fig. M, N,O,P

#### LED D'ÉTAT BATTERIE (Voir Fig. D4)


Avant de démarrer ou après utilisation, appuyez sur le bouton à côté du voyant d'alimentation sur la machine pour vérifier la capacité de la batterie. Au cours du fonctionnement, la capacité de la batterie sera indiquée automatiquement par le témoin d'alimentation de la batterie. L'indicateur détecte et affiche en permanence l'état de la batterie comme suit.

Pour la machine équipée de 2 batteries de puissance différente, le témoin d'alimentation affiche l'état de la batterie la plus basse.

État de l'indicateur d'alimentation de la batterie	État de la batterie
Cinq voyants verts (■ ■ ■ ■ ■) sont allumés.	Les deux batteries sont très chargées.
Deux, trois ou quatre voyants verts sont allumés.	Les deux batteries disposent d'une charge restante. Plus il y a de voyants allumés, plus la capacité de la batterie est grande.

Un seul voyant vert (■ □ □ □ □) est allumé.	Au moins une batterie est épuisée et doit être rechargée.
Aucun voyant n'est allumé.	Au moins une batterie n'est pas complètement installée ou la batterie est défectueuse.
Un seul voyant clignote deux fois par cycle.	Au moins une batterie est déchargée excessivement (veuillez vous reporter à l'état de charge de la batterie), veuillez recharger les deux batteries à la fois avant de les réutiliser ou de les ranger.
Un seul voyant clignote trois fois par cycle.	Au moins une batterie est chaude, attendez qu'elle refroidisse avant de redémarrer.
Un seul voyant clignote quatre fois par cycle.	La machine est surchargée. Retirez l'outil de la zone de coupe et réessayez.

## FONCTIONNEMENT

 **AVERTISSEMENT!** Le chargeur et la batterie ont été spécialement conçus pour fonctionner ensemble, ne pas utiliser d'autres dispositifs. Ne jamais insérer d'objets métalliques dans le chargeur ou dans les connexions de la batterie, cela pourrait provoquer un court circuit ou être une source de danger.

### 1. SYSTÈME DE DISTRIBUTION AUTOMATIQUE DU FIL

Lors du démarrage initial du coupe bordure une petite longueur de fil est distribuée.

Un "cliquetis" se produit lorsque les fils entrent en contact avec le coupe-fil. Ceci est normal et est causé par la ligne coupée par le coupe-fil. Une fois que la ligne est coupée à la bonne longueur, le bruit de "cliquetis" s'arrête et le moteur du taille-bordures tournera à plein régime.

Pour avoir plus de fil, il est tout d'abord nécessaire d'attendre que la débroussailluse soit complètement arrêtée, puis la redémarrer et attendre que le moteur tourne à plein régime. Répéter les instructions ci-dessus jusqu'à entendre les fils entrer en contact avec le coupe-fil. (Ne pas répéter cette procédure plus de 6 fois)

### 2. POUR DISTRIBUER MANUELLEMENT LE FIL (VOIR FIG. H)

Appuyez sur et relâchez le bouton d'avancement de la ligne, tout en tirant doucement sur une des lignes jusqu'à ce qu'elle atteigne le coupe-fil.

Lorsque la longueur requise de ligne est sortie, tirez doucement sur la deuxième ligne (il n'est pas nécessaire d'appuyer sur le bouton d'avancement de la ligne à nouveau). Si la ligne s'étend au-delà du coupe-fil, une longueur trop longue de ligne a été tirée.

Si une longueur de ligne trop longue a été tirée, retirez le couvercle de la bobine et cliquez sur la bobine dans le sens contraire des aiguilles d'une montre jusqu'à ce que la ligne soit à la longueur désirée.

### ENLEVER LE BOUCHON (Voir Fig. I)

Appuyez sur les deux côtés du bouchon et les maintenir enfoncés.



Retirez le couvercle de la tête de coupe en l'éloignant de la tête de coupe. Gardez le couvercle de la tête de coupe et nettoyez l'intérieur de la tête de coupe propre pour enlever les débris. Pour replacer le couvercle de la tête de coupe, appuyez fermement sur le support de la bobine. Vérifier que le bouchon est correctement inséré en essayant de le retirer sans appuyer sur les deux côtés.

**CHANGEMENT DE LA BOBINE DE FIL (Voir Fig. K, L)**  
 Enlevez d'abord le couvercle et retirez l'ancienne bobine. Placez la nouvelle bobine dans la tête de coupe. Insérez une ligne à travers l'œillet, puis répétez la procédure pour la deuxième ligne. (Voir Fig. L). Relâchez le fil sur le taquet de la bobine. Remplacez le couvercle de la tête de coupe.

**⚠ AVERTISSEMENT!** La débroussailluse est conçue pour être utilisée avec un fil d'un diamètre maximum de 1,65mm. Utilisez uniquement des lignes en nylon.

**IMPORTANT** – Toujours enrouler d'abord le fil autour de la partie supérieure de la bobine.

**3. ENROULER MANUELLEMENT LA LIGNE (Voir Fig. M, N, O, P)**

Prendre environ 5 mètres de fil. Insérer 15mm de fil dans l'un des trous de la partie supérieure de la bobine et enrouler le fil dans le sens des flèches situées sur le dessus de la bobine. Répétez la procédure avec les pièces séparées de ligne sur la partie inférieure de la bobine.

Laisser environ 100mm de fil déroulé et le placer dans la rainure. Répéter cette opération sur la partie inférieure de la bobine.

S'assurer que le fil est soigneusement enroulé autour de la bobine. Si ce n'est pas le cas, cela affectera l'efficacité de la distribution automatique du fil.

Puis mettre la bobine en place comme indiqué dans la section "CHANGEMENT DE LA BOBINE DE FIL".

**RANGEMENT**

**⚠ Retirez toujours la batterie de votre taille-bordures après chaque utilisation.**

**GUIDE DE DÉPANNAGE**

Le tableau suivant présente des problèmes et des actions que vous pouvez effectuer si votre machine ne fonctionne pas correctement.

**⚠ ATTENTION:** Mettez la machine hors tension et retirez la batterie avant tout dépannage.

Problèmes	Causes possibles	Solution
Le coupe-bordures ne fonctionne pas	La batterie est déchargée. La batterie est trop chaude / trop froide. Le moteur est cassé. Le câblage interne de la machine est endommagé.	Rechargez la batterie; reportez-vous au manuel du chargeur. Laissez refroidir / chauffer.  Contactez le service après-vente. Contactez le service après-vente.
Le coupe-bordures fonctionne de manière intermittente.	Le moteur est cassé La batterie n'est pas entièrement chargée. L'interrupteur marche/arrêt est défectueux.	Contactez le service après-vente. Rechargez la batterie. Contactez le service après-vente.

**Pour ranger votre coupe-herbe**

Le coupe-herbe est muni d'une fente de suspension pour l'accrocher au mur. (Voir Fig. Q)  
 Gardez-le dans un endroit sec où le coupe-herbe et la batterie ne risquent pas d'être endommagés.

**ENTRETIEN**


**⚠ Retirez toujours la batterie de votre taille-bordures après chaque utilisation. Vérifiez toujours le produit avant son utilisation pour tout signe d'endommagement.**

Retirer la fiche de la prise avant de procéder à un réglage, une réparation ou un entretien.

L'outil motorisé ne requiert pas de graissage ou d'entretien particulier.

Il n'y a pas de pièces réparables par l'utilisateur dans cet outil. Ne jamais utiliser d'eau ou de nettoyants chimiques pour nettoyer l'outil. Nettoyer avec un chiffon sec. Toujours conserver l'outil motorisé dans un endroit sec. Maintenir les fentes de ventilation du moteur propres. Empêcher que les commandes de marche soient couvertes de poussière.

**PROTECTION DE L'ENVIRONNEMENT**

 Les déchets d'équipements électriques et électroniques ne doivent pas être déposés avec les ordures ménagères. Ils sont collectés pour être recyclés dans des centres spécialisés. Consultez les autorités locales ou votre revendeur pour obtenir des renseignements sur l'organisation de la collecte.

Vibrations/ Bruit excessifs	La machine est défectueuse. La bobine de fil n'est pas correctement enroulée.	Contactez le service après-vente. Enroulez le fil. Reportez-vous au paragraphe "Enrouler Manuellement La ligne »
La durée de coupe avec une charge de la batterie est trop courte	La batterie n'a pas été utilisée durant une longue période ou a été peu chargée. L'herbe est trop haute. La batterie est défectueuse.	Rechargez entièrement la batterie; reportez-vous au manuel du chargeur.  Coupez par étapes. Remplacez la batterie.
La machine ne coupe pas	Le fil est cassé. La batterie n'est pas complètement chargée. Le moteur est cassé (la vitesse est trop faible). Des herbes sont emmêlées autour de la tête de coupe.	Remplacez le fil. Rechargez la batterie; reportez-vous au manuel du chargeur. Contactez le service après-vente.  Enlevez les herbes.
L'indicateur de la batterie clignote continuellement. La procédure de charge n'est pas possible.	La batterie n'est pas (correctement) insérée. Les bornes de la batterie sont sales. La batterie est défectueuse	Insérez correctement la batterie dans le chargeur. Nettoyez les bornes de la batterie ou remplacez-la. Remplacez la batterie.
L'indicateur de charge de la ne s'allume pas.	La prise du chargeur n'est pas branchée (incorrectement). La prise d'alimentation, le câble ou le chargeur est défectueux.	Insérez (complètement) la prise dans la prise secteur. Vérifiez la tension nominale; faites vérifier le chargeur par le service après-vente agréé.
L'alimentation automatique de la ligne ne fonctionne pas	Le fil de coupe n'est pas correctement enroulé. Le fil est emmêlé. Le fil est usé.	Tirez manuellement le fil. S'il ne peut être sorti, enlevez la bobine et enroulez le fil. Remplacez la bobine avec une nouvelle bobine de fil.

## DECLARATION DE CONFORMITE

Nous,  
Positec Germany GmbH  
Grüner Weg 10, 50825 Cologne, Germany

Declérons ce produit

Description **Taille bordure sans fil**  
Type **WG183E WG183E.9 (1-désignation des machines, modèle de taille bordure sans fil)**  
Fonction **coupe de gazon et autre végétation légère, et pour la taille de bordures de gazon**

Est conforme aux directives suivantes,  
**2006/42/EC, 2014/30/EU, 2011/65/EU&(EU)2015/863, 2000/14/EC amendée par 2005/88/EC**

2000/14/EC amendée par 2005/88/EC:

- Procédure d'évaluation de la conformité conformément à **Annex VI**
- Niveau de pression acoustique **90.2 dB (A)**
- Niveau d'intensité acoustique **94 dB (A)**

Notification réalisée par

**Nom: ISET S.r.l. Unipersonale**  
**Adresse: Sede Legale e Uffici Via Donatori di sangue,9 – 46024 Moglia (MN)**

Et conforme aux normes,  
**EN 60335-1, EN 50636-2-91, EN 62233, EN ISO 3744, EN 55014-1, EN 55014-2**

La personne autorisée à compiler le dossier technique,  
**Nom Marcel Filz**  
**Adresse Positec Germany GmbH**  
**Grüner Weg 10, 50825 Cologne, Germany**




2020/07/28

Allen Ding  
Ingénieur en chef adjoint, Essais & Certification  
Positec Technology (China) Co., Ltd  
18, Dongwang Road, Suzhou Industrial  
Park, Jiangsu 215123, P. R. China

## **SICUREZZA DEL PRODOTTO**

### **AVVISI GENERALI PER LA SICUREZZA**



**ATTENZIONE! È assolutamente necessario leggere attentamente tutte le istruzioni.** *Eventuali errori nell'adempimento delle istruzioni qui di seguito riportate potranno causare scosse elettriche, incendi e/o lesioni gravi.*

**Conservare tutti gli avvisi e le istruzioni per poterle consultare quando necessario.**

Il dispositivo deve essere utilizzato unicamente con l'unità di alimentazione fornita in dotazione.

### **IMPORTANTE**

### **LEGGERE ATTENTAMENTE**

### **PRIMA DELL'USO**

### **CONSERVARE PER**

### **RIFERIMENTO FUTURO**

#### **Prescrizioni di sicurezza**

##### **1. ADDESTRAMENTO**

- Leggere con attenzione le istruzioni. Acquisire familiarità con i comandi e il corretto funzionamento dell'apparecchio.
- Mai consentire l'uso della

macchina a bambini, soggetti con capacità fisiche, sensoriali o mentali limitate, senza esperienza o competenze specifiche o ignari delle presenti istruzioni. Le normative locali potrebbero prescrivere specifici limiti di età per l'operatore.

- Ricordare che l'operatore o l'utente sono responsabili di incidenti o rischi che dovessero verificarsi ai danni di terzi o delle proprietà.

##### **2. OPERAZIONI PRELIMINARI**

- Prima dell'uso, ispezionare sempre visivamente la macchina in cerca di protezioni danneggiate, mancanti o mal posizionate.
- Non usare il dell'apparecchio in presenza di altre persone, in particolar modo di bambini o di animali domestici.

##### **3. FUNZIONAMENTO**

- Indossare sempre occhiali protettivi, pantaloni lunghi e scarpe antinfortunistiche quando si utilizza la macchina.
- Evitare di utilizzare la macchina in caso di condizioni meteorologiche avverse, specialmente se

- sussiste il rischio di fulmini.
- c) Usare il dell'apparecchio solo nelle ore diurne o in buone condizioni di luce artificiale.
  - d) Mai utilizzare la macchina in presenza di protezioni danneggiate o mal posizionate.
  - e) Accendere il motore solo quando mani e piedi sono a debita distanza dagli strumenti di taglio.
  - f) Scollegare sempre la macchina dall'alimentazione elettrica (es. rimuovere il pacco batteria dalla macchina)
    - 1) quando la macchina viene lasciata incustodita;
    - 2) prima di rimuovere un'eventuale ostruzione;
    - 3) prima di controllare, pulire o effettuare lavori sulla apparecchiatura;
    - 4) dopo aver individuato un corpo estraneo;
    - 5) quando la macchina inizia a vibrare in modo anomalo.
  - g) Prestare la massima attenzione al fine di evitare infortuni a mani e piedi a causa degli strumenti di taglio.
  - h) Assicurarsi sempre che le prese d'aria non siano ostruite.
  - i) Non utilizzare mai elementi di taglio metallici.
  - j) Sui terreni in pendenza, è necessario mantenere sempre la stabilità.
  - k) Camminare, non correre mai.
  - l) Mai sbilanciarsi e mantenere sempre il corretto equilibrio.
  - m) Mai toccare parti pericolose in movimento prima che la macchina sia scollegata dall'alimentazione e le parti mobili si siano arrestate del tutto.

#### **4. MANUTENZIONE E CONSERVAZIONE**

- a) Scollegare la macchina dall'alimentazione elettrica (es. rimuovere il pacco batteria dalla macchina) prima di svolgere interventi di manutenzione o pulizia.
- b) Utilizzare solo i ricambi e gli accessori raccomandati dal produttore.
- c) Sottoporre regolarmente la macchina a ispezioni e manutenzione. Fare riparare la macchina solo a personale autorizzato.
- d) Quando non viene usato, riporre il dispositivo fuori dalla portata dei bambini.

#### **SICUREZZA DELLA BATTERIA**

## **ISTRUZIONI PER LA SICUREZZA DEL PACCO BATTERIA**

- a) Non smontare, aprire o strappare le cellule secondarie o il pacco batteria.**
- b) Non cortocircuitare un pacco batteria. Non conservare un pacco batteria disordinatamente in una scatola o un cassetto in cui potrebbero cortocircuitarsi tra essi o essere cortocircuitati da altri oggetti metallici.**

Quando il pacco batteria non è in uso, tenerlo lontano da altri oggetti metallici come graffette, monete, chiavi, chiodi, viti e altri piccoli oggetti metallici, potrebbe avverarsi un collegamento tra i due terminali. Collegare i terminali della batteria potrebbe causare incendi o ustioni.

- c) Non esporre il pacco batteria a calore o fuoco. Evitare di conservarli alla luce diretta del sole.**
- d) Non sottoporre il pacco batteria a scosse meccaniche.**
- e) In caso di perdite da una cellula, evitare che il**

**liquido entri in contatto con la pelle o gli occhi. In caso di contatto, lavare l'area interessata con abbondante acqua e consultare un medico.**

- f) Se si ingerisce una cellula o un pacco batteria, consultare immediatamente un medico.**
- g) Tenere le cellule e il pacco batteria puliti e asciutti.**
- h) Pulire i terminali delle cellule e del pacco batteria con un panno pulito e asciutto nel caso in cui si sporchino.**
- i) Il pacco batteria deve essere caricato prima dell'uso. Utilizzare sempre il caricatore corretto e consultare le istruzioni.**
- j) Non lasciare un pacco batteria in carica se non in uso.**
- k) Dopo lunghi periodi di conservazione, potrebbe essere necessario caricare e scaricare le cellule o il pacco batteria diverse volte per ottenere le massime prestazioni.**
- l) Il pacco batteria offre prestazioni ottimali se utilizzate ad una temperatura ambiente**

normale (20°C ± 5°C).

- m) Quando si smaltiscono i pacchi batteria, tenere i pacchi batteria con diversi sistemi elettrochimici separati gli uni dagli altri.**
- n) Ricaricare solo con il caricatore specificato da Worx. Non utilizzare caricatori diversi da quelli forniti per l'uso specifico con l'apparecchiatura. Un caricatore adatto ad un tipo di pacco batteria potrebbe provocare rischi d'incendi quando è usato con un altro pacco batteria.**
- o) Non utilizzare un pacco batteria non progettato per l'uso con l'apparecchiatura.**
- p) Tenere il pacco batteria fuori dalla portata dei bambini.**
- q) Conservare i documenti originali del prodotto per riferimenti futuri.**
- r) Rimuovere la batteria dall'apparecchiatura, se non in uso.**
- s) Smaltire adeguatamente.**
- t) Non mischiare batterie di diverse marche, capacità, dimensioni o tipologia nello stesso dispositivo.**
- u) Non rimuovere anzitempo**

**il pacco batterie dalla sua confezione originale.**

- v) Fare attenzione ai segni più (+) e meno (-) sulla batteria e accertarsi di utilizzarla nel modo corretto.**

## SIMBOLI

	Leggere le istruzioni
	Tenere gli astanti a distanza di sicurezza
	Indossare protezioni per occhi e orecchie
	Non esporre alla pioggia
	I prodotti elettrici non possono essere gettati tra i rifiuti domestici. L'apparecchio da rottamare deve essere portato al centro di riciclaggio per un corretto trattamento. Controllare con le autorità locali o con il rivenditore per localizzare il centro di riciclaggio più vicino.
 Li-Ion	Batteria agli ioni di litio (Li-Ion). Questo prodotto è stato contrassegnato con un simbolo riguardante la raccolta differenziata per tutti i pacchi batteria. La batteria sarà poi riciclata o demolita allo scopo di ridurre l'impatto ambientale. I pacchi batteria possono costituire un pericolo per l'ambiente e per la salute umana in quanto contengono sostanze pericolose.

	Se smaltite in maniera scorretta, le batterie potrebbero entrare nel ciclo dell'acqua, con conseguenti rischi per l'ambiente. Non smaltire le batterie esaurite nei rifiuti generici.
	Non bruciare
	Indossare guanti protettivi
	Assicurarsi che la batteria venga rimossa prima di sostituire gli accessori.
	Tagliare
	Blocco
	Sblocca
	Corretto
	Non corretto

## ELEMENTI DELL'APPARECCHIO

<b>1. BATTERIA *</b>
<b>2. INTERRUTTORE D'ACCENSIONE/ SPEGNIMENTO</b>
<b>3. ALBERO SUPERIORE</b>
<b>4. MANOPOLA DI REGOLAZIONE DEL MANICO</b>
<b>5. GIUNTO DI BLOCCAGGIO DELL'ANGOLO INFERIORE</b>
<b>6. PROTEZIONE</b>
<b>7. PULSANTE DI RILASCIO FILO</b>

<b>8. LINEA DI TAGLIO</b>
<b>9. IMPUGNATURA SECONDARIA</b>
<b>10. INTERRUTTORE DI SICUREZZA</b>
<b>11. INDICATORE DI ALIMENTAZIONE DELLA BATTERIA</b>
<b>12. CONTENITORE BOBINA (VEDI FIG..I)</b>
<b>13. COPERCHIO DELLA BOBINA (VEDI FIG. J)</b>
<b>14. TASTI DI RILASCIO BOBINA (VEDI FIG. J)</b>
<b>15. BOBINA (VEDI FIG. J)</b>
<b>16. OCCHIELLI USCITA FILO (VEDI FIG. J)</b>

\* Accessori illustrati o descritti non fanno necessariamente parte del volume di consegna.

## DATI TECNICI

Tipo **WG183E WG183E.9 (1-designazione della macchina, rappresentante del Decespugliatore senza filo)**

	<b>WG183E</b>	<b>WG183E.9</b>
Voltaggio	40 V $\overline{\text{---}}$ MAX (2x20 V MAX) **	
Velocità a vuoto	6800 /min	
Diametro di taglio	33 cm	
Diametro del filo	1.65 mm	
Lunghezza del filo	5 m (Doppia Uscita)	
Tipo di batteria	Ioni Di Litio	/
Modello batteria	WA3551.1(2.0 Ah)	/
Modello caricatore	WA3772	/
Potenza caricabatteria	Ingresso:100-240 V~50/60 Hz, 50 W Uscita 1: 20 V $\overline{\text{---}}$ , 2.0 A*** Uscita 2: 20 V $\overline{\text{---}}$ , 2.0 A***	/
Tempo di ricarica (circa) Batteria: 2.0 Ah (1 pc) 2.0 Ah (2 pcs)	65 mins 130 mins	/
Peso dell'utensile	2.9 kg	2.2 kg

\*\*Tensione misurata senza carico di lavoro. La tensione iniziale della batteria raggiunge un massimo di 20 Volt. La tensione nominale è di 18 Volt.

\*\*\* I dati "Uscita 1 del caricabatterie" e "Uscita 2 del caricabatterie" si riferiscono a due porte con la stessa tensione e la stessa corrente.

## ACCESSORI

	WG183E	WG183E.9
Batteria (WA3551.1)	2	/
Caricatore (WA3772)	1	/
Bobina (WA0007)	1	1
Coperchio della bobina (WA0216)	1	1
Protezione	1	1
Impugnatura secondaria	1	1

Si raccomanda di acquistare tutti gli accessori nello stesso negozio in cui è stato acquistato l'attrezzo. Fare riferimento alla confezione dell'accessorio per altri dettagli. Il personale del negozio può aiutarvi e consigliarvi.

dal valore dichiarato in base ai modi con cui viene usato lo strumento, ai seguenti esempi e ad altre variabili: Come viene usato l'apparecchio e i materiali tagliati o forati.

Le condizioni e la buona manutenzione dello strumento. L'uso dell'accessorio corretto per il taglio e la sua affilatura, nonché le sue buone condizioni.

La stretta sull'impugnatura e l'eventuale utilizzo di accessori antivibrazione.

L'adeguatezza dell'utilizzo dell'utensile rispetto a quanto previsto.

**Questo strumento potrebbe causare la sindrome da vibrazioni mano-braccio se il suo utilizzo non viene gestito correttamente.**



**AVVERTENZA:** Per essere precisi, una stima del livello di esposizione nelle attuali condizioni di utilizzo dovrebbe anche tenere conto di tutte le parti del ciclo operativo, come le volte in cui lo strumento viene spento e il tempo in cui viene lasciato girare a vuoto senza realmente fare il suo lavoro. Questo potrebbe ridurre significativamente il livello di esposizione sul periodo di lavoro totale.

Un aiuto a minimizzare il proprio rischio di esposizione alle vibrazioni.

USARE sempre scalpelli, trapani e lame affilati.

Conservare questo strumento sempre in conformità a queste istruzioni e mantenerlo ben lubrificato (dove appropriato).

Se lo strumento deve essere usato regolarmente, investire in accessori antivibrazione.

Pianificare il programma di lavoro in modo da suddividere i lavori che implicano le maggiori vibrazioni nell'arco di più giorni.

## INFORMAZIONI SUL RUMORE

Pressione acustica ponderata  $L_{pA} = 75.8 \text{ dB(A)}$

$K_{pA} = 3.0 \text{ dB(A)}$

Potenza acustica ponderata  $L_{WA} = 90.2 \text{ dB(A)}$

$K_{WA} = 3.0 \text{ dB(A)}$

**Indossare protezione per le orecchie.**



## INFORMAZIONI SULLA VIBRAZIONE

Vibrazione ponderata tipica  $a_h < 2.5 \text{ m/s}^2$

Incertezza  $K = 1.5 \text{ m/s}^2$

Il valore totale dichiarato delle vibrazioni può essere utilizzato per confrontare un utensile con un altro e in una valutazione di esposizione preliminare.




**AVVERTENZA:** Il valore delle vibrazioni emesse durante il reale utilizzo dello strumento può differire

## MONTAGGIO E FUNZIONAMENTO

AZIONE	FIGURA
<b>MONTAGGIO</b>	
Montare il Manico del Decespugliatore	Vedi Fig. A
Montare l'Impugnatura Ausiliaria	Vedi Fig. B
Montaggio della protezione	Vedi Fig. C
Rimozione E Installazione Dell'Unità Batteria	
<b>NOTA:</b> <ul style="list-style-type: none"> <li>• Questo rasaerba funziona solo se sono installate entrambe le batterie. Usare sempre le stesse due batterie e caricarle contemporaneamente.</li> <li>• Quando si utilizzando due batterie con potenze diverse l'utensile funzionerà solamente al valore di potenza corrispondente al minimo comun denominatore.</li> </ul>	Vedi Fig. D1,D2



<p>Caricamento del pacco batteria</p> <p><b>NOTA:</b></p> <ul style="list-style-type: none"> <li>• il pacco batteria viene spedito scarico. La batteria deve essere completamente carica prima del primo taglio.</li> <li>• Caricare sempre completamente le due batterie nello stesso momento. È possibile trovare maggiori dettagli nel manuale del caricatore.</li> </ul>	Vedi Fig. D3
<p>Indicatore Alimentazione batteria sulla macchina</p> <p>Leggere i dettagli nella sezione STATO DELLA BATTERIA</p>	Vedi Fig. D4
<b>FUNZIONAMENTO</b>	
<p>Interruttore d'accensione/spengimento</p> <p> <b>AVVERTENZA!</b> La testina di taglio continua a girare dopo che il decespugliatore è stato spento; attendere finché si è fermata e poi appoggiare l'attrezzo.</p>	Vedi Fig. E
Tagliare	Vedi Fig. F
- Regolazione dell'impugnatura ausiliaria	Vedi Fig. G
Fuoriuscita manuale del filo	Vedi Fig. H
Togliere la bobina	Vedi Fig. I
Contenitore bobina	Vedi Fig. J
SOSTITUZIONE DELLA BOBINA FILO	Vedi Fig. K,L
Per avvolgere manualmente il filo	Vedi Fig. M, N,O,P


#### LED DI STATO DELLA BATTERIA (Vedi Fig. D4)

Prima dell'avvio e dell'uso premere il pulsante accanto all'indicatore del livello di carica delle batterie sulla sega per verificare la loro capacità. Durante il funzionamento la capacità delle batterie sarà indicata in automatico dall'indicatore del livello di carica. L'indicatore rileva e visualizza costantemente la condizione delle batterie come descritto di seguito. Per gli utensili dotati di 2 batterie con potenze diverse, l'indicatore del livello di carica mostra la condizione della batteria che ha la potenza inferiore tra le due.

Stato dell'indicatore di carica	Condizione della batteria
Cinque spie verdi (■■■■■) accese.	Le due batterie sono completamente cariche.
Due, tre o quattro spie verdi accese.	Le due batterie sono ancora cariche. Più spie sono accese, maggiore è la carica residua.

Solo una spia verde (■□□□□) accesa.	Almeno una delle batterie è scarica e deve essere ricaricata.
Nessuna spia accesa.	Almeno una delle batterie non è correttamente installata o è difettosa.
Una sola spia lampeggia due volte per ciclo.	Almeno una delle batterie è troppo scarica (consultare lo stato di carica della batteria); ricaricare le due batterie insieme prima dell'uso o del rimessaggio.
Una sola spia lampeggia tre volte per ciclo.	Almeno una delle batterie è surriscaldata: attendere il raffreddamento prima di ricominciare.
Una sola spia lampeggia quattro volte per ciclo.	La macchina è in sovraccarico. Rimuovere il tagliaerba dall'area di taglio e riprovare.

## ISTRUZIONI OPERATIVE

 **AVVERTENZA!** Il caricabatteria e il gruppo batteria sono progettati specificamente per funzionare insieme; non tentare di utilizzare altri dispositivi. Non inserire o far entrare oggetti metallici nelle connessioni del caricabatteria o del gruppo batteria; può verificarsi un guasto elettrico pericoloso.

### 1. FUORIUSCITA AUTOMATICA DEL FILO

Quando si accende il tagliaerba per la prima volta, il filo fuoriesce leggermente. Per qualche momento si sentirà un rumore di "sferragliamento". Questo è normale ed è causato dal taglio del filo da parte della linea di taglio. Una volta tagliato il filo alla lunghezza corretta, si arresta il "tintinnio" e il motore del decespugliatore funziona a pieno ritmo. Per far fuoriuscire il filo è necessario quindi fermare completamente l'apparecchio, per poi azionarlo nuovamente e permettere al motore di raggiungere la piena velocità. Ripetere l'operazione finché si udirà il taglio. (Non ripetere questa procedura più di 6 volte)

### 2. Fuoriuscita manuale del filo (VEDI FIG. H)

Premere e rilasciare il pulsante di rilascio filo mentre si tira delicatamente su uno dei fili fino a raggiungere la linea di taglio. Quando viene rilasciata la quantità di filo necessaria, tirare delicatamente sul secondo filo (non è necessario premere di nuovo il pulsante di rilascio filo). Se il filo si estende oltre la linea di taglio, è stata rilasciata una quantità eccessiva di filo. Se si rilascia una quantità eccessiva di filo, rimuovere la bobina e fare clic sulla bobina in senso antiorario finché il filo non è della lunghezza desiderata.

### Togliere la bobina (Vedi Fig. I)

Tenere premuti i due tasti di rilascio della bobina. Estrarre il coperchio dalla testina di taglio. Eliminare i detriti dal coperchio della testina di taglio e dalla parte interna della testina di taglio. Per sostituire il coperchio della testina di taglio, premere saldamente sul supporto della bobina. Controllare che la bobina sia ben fissata

cercando di rimuoverla senza premere i due tasti di rilascio bobina.

### SOSTITUZIONE DELLA BOBINA FILO (Vedi Fig. K, L)

Per prima cosa rimuovere il cappuccino e rimuovere la vecchia bobina. Posizionare la nuova bobina sulla testina di taglio. F Rilasciare un filo attraverso l'occhiello di uscita filo, quindi ripetere l'operazione per il secondo filo (Vedi Fig. L). Liberare il filo dal tassello sulla bobina. Reinserire il coperchio della testina di taglio

**⚠ Attenzione!** L'apparecchio è progettato in modo da essere utilizzato esclusivamente con un filo avente diametro massimo di 1.65mm. INSERIMENTO DEL SOLO FILO DI TAGLIO.

**IMPORTANTE** – Avvolgere sempre il filo prima sulla parte superiore della bobina.

### 3. PER AVVOLGERE MANUALMENTE IL FILO (VEDI FIG. M, N, O, P)

Utilizzare più o meno 5 metri di filo. Inserire 15mm di filo in uno dei due occhielli superiori della bobina e avvolgere il filo nella direzione delle frecce presenti sulla parte superiore della stessa.

Lasciare approssimativamente 100 mm di filo non avvolto e posizionarlo sul Ripetere la stessa operazione sulla parte inferiore della bobina.

Prestare attenzione che il filo sia ben arrotolato sulla bobina. Non facendolo si comprometterà l'efficienza dell'uscita automatica del filo.

Quindi posizionate la bobina come descritto al paragrafo "Togliere la bobina".

## CONSERVAZIONE

**⚠ Rimuovere sempre il pacco batterie dal tosaerba dopo l'uso.**

## RISOLUZIONE DEI PROBLEMI

La tabella seguente elenca possibili problemi e azioni che potete intraprendere nel caso in cui la macchina non funzioni correttamente.

**⚠ ATTENZIONE:** spegnere la macchina e rimuovere la batteria prima di procedere alla risoluzione dei problemi.

Problema	Possibile Causa	Soluzione
Il tagliaerba non funziona.	La batteria è scarica. La batteria è troppo calda o fredda. Il motore è rotto. Il sistema elettrico della macchina è danneggiato.	Ricaricare la batteria; È possibile trovare maggiori dettagli nel manuale del caricatore. Permettere alla batteria di riscaldarsi / raffreddarsi. Contattare il Servizio Clienti. Contattare il Servizio Clienti.
Il tosaerba funziona in modo intermittente	Il motore è rotto. La batteria non è completamente carica. Il pulsante On/Off è difettoso.	Contattare il Servizio Clienti. Ricaricare la batteria. Contattare il Servizio Clienti.
Rumore/vibrazioni eccessivi.	La macchina è difettosa. Il filo della testina non è avvolto correttamente.	Contattare il Servizio Clienti. Riavvolgere il filo. Vedere " Per avvolgere manualmente il filo."

### Conservazione del tagliaerba

Il tagliaerba è dotato di una scanalatura che consente di riporlo appeso alla parete. (Vedi Fig. Q)

Conservare in un luogo asciutto in cui il tagliaerba e le batterie possano essere protetti da possibili danni.

## MANUTENZIONE

**⚠ Rimuovere sempre il pacco batterie dal tosaerba dopo l'uso.**

**Prima dell'uso controllare sempre che il prodotto non sia danneggiato.**

Rimuovere la spina dalla presa di corrente prima di usare. L'attrezzo non richiede di lubrificazione o manutenzione aggiuntiva. All'interno dell'attrezzo non ci sono parti riparabili da parte dell'utente. Non usare mai acqua o detergenti chimici per pulire l'attrezzo. Pulire con un panno asciutto. Immagazzinare sempre gli attrezzi elettrici in luoghi asciutti. Tenere pulite le aperture di ventilazione del motore. Tenere puliti dalla polvere tutti i controlli operativi.

## TUTELA AMBIENTALE

**⚠** I prodotti elettrici non possono essere gettati tra i rifiuti domestici. L'apparecchio da rottamare deve essere portato al centro di riciclaggio per un corretto trattamento. Controllare con le autorità locali o con il rivenditore per localizzare il centro di riciclaggio più vicino.

Tempo di taglio per ogni carica della batteria troppo corto.	La batteria non è stata utilizzata per un lungo periodo oppure è stata caricata per un breve periodo. L'erba è troppo alta. La batteria è difettosa.	Ricaricare la batteria; È possibile trovare maggiori dettagli nel manuale del caricatore.  Tagliare l'erba poco per volta. Sostituire la batteria.
La macchina non taglia.	Il filo è rotto. La batteria non è completamente carica. Il motore è rotto (la velocità è troppo bassa). Erba impigliata attorno alla testina di taglio.	Sostituire il filo. Ricaricare la batteria; È possibile trovare maggiori dettagli nel manuale del caricatore. Contattare il Servizio Clienti.  Rimuovere l'erba.
L'indicatore di carica della batteria lampeggia continuamente. Non è possibile caricare la batteria.	La batteria non è inserita (correttamente). I contatti della batteria sono sporchi.  La batteria è difettosa.	Inserire correttamente la batteria nel caricabatteria. Pulire i contatti della batteria o sostituire la batteria. Sostituire la batteria.
L'indicatore di carica della batteria non si illumina.	La presa del caricabatteria non è inserita (correttamente). Presa, spina o caricabatteria difettosi.	Inserire (completamente) la spina nella presa di rete. Controllare la tensione di rete; far controllare il caricabatteria dal servizio clienti.
L'alimentazione automatica del filo non funziona.	Il filo di taglio non è avvolto correttamente. Il filo è ingarbugliato. Il filo è esaurito.	Caricare manualmente il filo, se anche in questo modo non è possibile caricarlo, rimuovere il rocchetto e avvolgere il filo. Sostituirlo con un nuovo rocchetto

## DICHIARAZIONE DI CONFORMITÀ

NOI,  
Positec Germany GmbH  
Grüner Weg 10, 50825 Cologne, Germany

Dichiara che l'apparecchio,  
Descrizione **Decespugliatore senza filo**  
Tipo **WG183E WG183E.9 (1-designazione della macchina, rappresentante del Decespugliatore senza filo)**  
Funzione **Taglio dell'erba e vegetazione morbida simile e per la potatura di bordi erbosi**

È conforme alle seguenti direttive,  
**2006/42/EC, 2014/30/EU, 2011/65/EU&(EU)2015/863, 2000/14/EC modificata dalla 2005/88/EC**

2000/14/EC modificata dalla 2005/88/EC:  
- Procedura di conformità come da **Annex VI**  
- Potenza acustica pesata **90.2 dB (A)**  
- Massima potenza di rumore garantita **94 dB (A)**

L'organismo competente  
**Nome: ISET S.r.l. Unipersonale**  
**Indirizzo: Sede Legale e Uffici Via Donatori di sangue,9 – 46024 Moglia (MN)**

conforme a,  
**EN 60335-1, EN 50636-2-91, EN 62233, EN ISO 3744, EN 55014-1, EN 55014-2**

Il responsabile autorizzato alla compilazione della documentazione tecnica,

**Name Marcel Filz**  
**Address Positec Germany GmbH**  
**Grüner Weg 10, 50825 Cologne, Germany**

43




2020/07/28  
Allen Ding  
Vice capo ingegnere, testing e certificazione  
Positec Technology (China) Co., Ltd  
18, Dongwang Road, Suzhou Industrial Park, Jiangsu 215123, P. R. China

# Decespugliatore senza filo

I

## **SEGURIDAD DEL PRODUCTO ADVERTENCIA DE SEGURIDAD GENERALES**



**Advertencia Leer todas las instrucciones.** *Si no se respetan las instrucciones, existe un riesgo de descargas eléctricas, de incendio y/o de graves heridas.*

**Conserve todas las advertencias e instrucciones para futuras consultas.**

El aparato únicamente debe utilizarse con la fuente de alimentación suministrada.

## **IMPORTANTE LEER DETENIDAMENTE ANTES DE UTILIZAR LA HERRAMIENTA CONSERVAR PARA REFERENCIA FUTURA**

### **Prácticas de seguridad operative**

#### **1. Familiarización**

- a) Lea cuidadosamente las instrucciones. Familiarícese con los controles y el uso apropiado de la herramienta.
- b) No permita nunca que utilicen la máquina niños, personas con limitaciones físicas, sensoriales o intelectuales o que no posean la experiencia o los

conocimientos necesarios, ni personas que no estén familiarizadas con las presentes instrucciones; la reglamentación local podría limitar la edad del personal operativo.

- c) Recuerde que el usuario u operario es el responsable de los accidentes o riesgos a los que se sometan otras personas o propiedades.

#### **2. Preparación**

- a) Antes de utilizar la máquina, inspecciónela visualmente para asegurarse de que las protecciones no estén deterioradas, ausentes o mal colocadas.
- b) Nunca utilice la máquina mientras otras personas, especialmente niños o animales domésticos se encuentran en las proximidades.

#### **3. Funcionamiento**

- a) Utilice protección para los ojos, pantalones largos y calzado reforzado siempre que trabaje en la máquina.
- b) No utilice la máquina en condiciones meteorológicas adversas, especialmente si existe riesgo de relámpagos.
- c) Trabaje únicamente de día o

- con buena luz artificial.
- d) No utilice la máquina si las protecciones están deterioradas o desmontadas.
  - e) El motor solo debe encenderse después de comprobar que las manos y los pies estén suficientemente alejados de los mecanismos de corte.
  - f) Desconecte la máquina de la fuente de alimentación (p.ej., retire la batería de la máquina) siempre en los siguientes casos:
    - 1) Siempre que la máquina se quede sin vigilancia;
    - 2) antes de eliminar una obstrucción;
    - 3) antes de realizar comprobaciones, operaciones de limpieza o trabajar con la máquina;
    - 4) después de chocar con un objeto extraño;
    - 5) Si la máquina empieza a vibrar de forma anómala.
  - g) Tenga mucho cuidado de no hacerse daño en las manos y los pies con los mecanismos de corte.
  - h) Asegúrese siempre de que las aberturas de ventilación se encuentren libres de ruinas.
  - i) Nunca utilice elementos metálicos de corte.
  - j) Asegúrese de no perder el equilibrio en las pendientes.
  - k) Camine, no corra.
  - l) No intente llegar más lejos de lo posible y mantenga el equilibrio en todo momento.
  - m) No toque ninguna pieza móvil que constituya un peligro hasta que la máquina se haya desconectado de la red eléctrica y todas las piezas móviles estén completamente quietas.

#### **4. Mantenimiento y almacenamiento**

- a) Antes de empezar cualquier trabajo de mantenimiento o limpieza, desconecte la máquina de la fuente de alimentación (p.ej., retire la batería de la máquina)
- b) Utilice únicamente las piezas de repuesto y los accesorios recomendados por el fabricante.
- c) La máquina se debe inspeccionar y mantener de manera periódica. Todas las reparaciones de la máquina deben encargarse a un especialista autorizado.
- d) Mientras no se encuentre en uso, almacene la máquina fuera del alcance de los niños.

## **SEGURIDAD DE LA BATERÍA ADVERTENCIAS DE SEGURIDAD PARA LA BATERÍA**

- a) No desmonte, abra o destruya las pilas o las baterías recargables.**
- b) No provoque un cortocircuito en la batería. No almacene las baterías de forma descuidada en una caja o cajón donde podría provocar un cortocircuito entre ellas o mediante otros objetos metálicos.** Cuando la batería no esté siendo utilizada, manténgala alejada de objetos metálicos, como clips de papel, monedas, llaves, clavos, tornillos u otros objetos metálicos pequeños, que pueden posibilitar la conexión de un borne con otro. Al provocar un cortocircuito con los bornes de la batería se pueden sufrir quemaduras o generar un incendio.
- c) No exponga las baterías al calor o al fuego. No las guarde expuestas directamente al sol.**
- d) No exponga las baterías a impactos mecánicos.**
- e) En caso de que la batería tenga fugas de líquido, no permita que el líquido entre en contacto con la piel o los ojos. Si se produce el contacto, lave la zona afectada con grandes cantidades de agua y acuda a un médico.**
- f) Acuda a un médico inmediatamente si se ha ingerido una pila o una batería.**
- g) Mantenga las baterías limpias y secas.**
- h) Limpie los bornes de la batería con un paño limpio si se ensucian.**
- i) Cargue la batería antes de utilizarla. Consulte siempre estas instrucciones y aplique el procedimiento de carga adecuado.**
- j) No deje la batería cargándose durante prolongados períodos de tiempo cuando no se utilice.**
- k) Después de prolongados períodos de almacenamiento, puede que sea necesario cargar y descargar la batería varias veces para obtener el máximo rendimiento.**
- l) Las baterías recargables**

proporcionan mejor rendimiento cuando se utilizan a temperatura ambiente normal (20 °C ± 5 °C).

- m) Al eliminar las baterías, mantenga las baterías de distinto sistema electroquímico separadas unas de otras.
- n) Recargue solo con el cargador indicado por Worx. No utilice ningún otro cargador que no sea el específicamente proporcionado para el uso con este equipo. El cargador adecuado para un tipo de baterías puede provocar un incendio si se utiliza con otro tipo de baterías.
- o) No utilice ninguna batería distinta a la diseñada para utilizarse con el aparato.
- p) Mantenga la batería fuera del alcance de los niños.
- q) Conserve la documentación original del producto por si tuviera que consultarla en otro momento.
- r) Extraiga la batería del aparato cuando no lo utilice.
- s) Deshágase del producto correctamente.

- t) No se deben mezclar pilas de diferentes fabricantes, capacidad, tamaño o tipo en un mismo dispositivo.
- u) Las pilas no se deben quitar del embalaje original hasta que se vayan a utilizar.
- v) Se deben observar y respetar las marcas positiva (+) y negativa (-) de la pila.

## SÍMBOLOS

	<p>Lea el manual</p>
	<p>Mantenga alejados a los visitantes.</p>
	<p>Utilice protección para los ojos y para los oídos</p>
	<p>Evite cualquier exposición a la lluvia</p>
	<p>Los residuos de equipamientos eléctricos y electrónicos no deben depositarse con las basuras domésticas. Se recogen para reciclarse en centros especializados. Consulte las autoridades locales o su distribuidor para obtener información sobre la organización de la recogida.</p>



Li-Ion



Batería de iones de litio. Este producto tiene una marca que lo designa para la recogida selectiva, junto con otras pilas y baterías. Una vez recogido, se reciclará o se desmontará con el fin de reducir el impacto en el medioambiente. Las baterías contienen sustancias peligrosas y pueden ser perjudiciales para el medioambiente y para la salud de las personas.



Si no se eliminan correctamente, las baterías podrían interferir en el ciclo del agua, una situación que pondría en riesgo el ecosistema. Por este motivo, las baterías no deben eliminarse junto con los residuos municipales sin clasificar.



No incinerar



Utilizar guantes de protección



Compruebe que se haya extraído la batería antes de cambiar los accesorios.



Recortar



Bloquear



Desbloquear



Correcto



Incorrecto

## LISTA DE COMPONENTES

### 1. BATERÍA\*

### 2. INTERRUPTOR DE ENCENDIDO / APAGADO

### 3. EJE SUPERIOR

### 4. COLLAR DE BLOQUEO

### 5. EJE INFERIOR

### 6. GUARDA PROTECTORA DE SEGURIDAD

### 7. BOTÓN DE ABASTECIMIENTO DEL HILO

### 8. CUCHILLA DEL HILO

### 9. MANGO AUXILIAR

### 10. INTERRUPTOR CON BLOQUEO DE SEGURIDAD

### 11. INDICADOR DE LA BATERÍA

### 12. CABEZAL DE CORTE(VÉASE LA FIG.I)

### 13. TAPA DEL CARRETE (VÉASE LA FIG.J)

### 14. CIERRE DE TAPA (VÉASE LA FIG.J)

### 15. BOBINA (VÉASE LA FIG.J)

### 16. OJAL (VÉASE LA FIG.J)

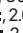
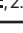
\* Los accesorios ilustrados o descritos pueden no corresponder al material suministrado de serie con el aparato.

## DATOS TÉCNICOS

Tipo **WG183E WG183E.9** (1-designación de maquinaria, representativa del cortacésped sin cable)

	WG183E	WG183E.9
Tensión	40 V $\approx$ MAX (2x20 V MAX) **	
Velocidad sin carga	6800 /min	
Diámetro de corte	33 cm	
diámetro del hilo	1,65 mm	
Longitud del hilo	5 m (Salida doble)	
Tipo de batería	iones de litio	/
Modelo de la batería	WA3551.1(2.0 Ah)	/
Modelo del cargador	WA3772	/



Datos nominales de carga	Entrada:100-240 V~50/60 Hz, 50 W Salida 1: 20V  , 2.0 A*** Salida 2: 20V  , 2.0 A***	/
Tiempo de carga (Aprox.) Batería: 2.0Ah (1pc) 2.0Ah (2pcs)	65 mins 130 mins	/
Peso	2.9 kg	2.2 kg

\*\*Voltaje medido sin carga. El voltaje inicial máximo de la batería es de 20 voltios. El voltaje nominal es de 18 voltios.

\*\*\* Las salidas 1 y 2 son dos puertos con los mismos valores de tensión y corriente de salida.

## ACCESORIOS

	WG183E	WG183E.9
Batería (WA3551.1)	2	/
Cargador (WA3772)	1	/
Bobina (WA0007)	1	1
Tapa del carrete (WA0216)	1	1
Guarda protectora de seguridad	1	1
Mango auxiliar	1	1

Recomendamos que adquiera todos sus accesorios en el mismo comercio donde compró la herramienta. Consulte los estuches de los accesorios para más detalles. El personal del comercio también puede ayudar y aconsejar.

## INFORMACIÓN SOBRE EL RUIDO

Nivel de presión acústica de ponderación  $L_{pA} = 75.8 \text{ dB(A)}$

$K_{pA} = 3.0 \text{ dB(A)}$

Nivel de potencia acústica de ponderación  $L_{WA} = 90.2 \text{ dB(A)}$

$K_{WA} = 3.0 \text{ dB(A)}$

Utilice protección auditiva.



## INFORMACIÓN SOBRE LAS VIBRACIONES

Frecuencia de vibración típica  $a_h < 2.5 \text{ m/s}^2$

Incertidumbre  $K = 1.5 \text{ m/s}^2$

El nivel de vibraciones declarado puede utilizarse para realizar comparaciones entre herramientas y para la evaluación preliminar de la exposición.

**ADVERTENCIA:** El valor de emisión de vibraciones durante el uso de la herramienta podría ser distinto al valor declarado dependiendo de la forma en que se use la herramienta según las condiciones siguientes, y otras variaciones sobre el uso de la herramienta: El modo de uso de la herramienta y los materiales que se cortan o perforan. El estado general y las condiciones de mantenimiento de la herramienta. La utilización del accesorio correcto para la herramienta y su correcto mantenimiento afilado y en buenas condiciones. La firme sujeción de las empuñaduras y la utilización de accesorios antivibración. El uso de la herramienta conforme a su diseño y estas instrucciones.

**Esta herramienta podría causar síndrome de vibración mano-brazo si no se utiliza correctamente.**

**ADVERTENCIA:** Para conseguir una mayor precisión, debe tenerse en cuenta una estimación del nivel de exposición en condiciones reales de todas las partes del ciclo de uso, como los tiempos durante los que la herramienta está apagada o el tiempo que está funcionando al ralentí sin realizar ningún trabajo. Esto podría reducir notablemente el nivel de exposición durante el periodo completo de trabajo. Cómo minimizar el riesgo de exposición a la vibración. Utilice SIEMPRE cinceles, brocas y cuchillas afiladas. Mantenga esta herramienta de acuerdo con estas instrucciones y bien lubricada (si es necesario). Si la herramienta se utiliza regularmente, invierta en accesorios antivibración. Planifique su programa de trabajo para distribuir el uso de la herramienta a lo largo de varios días.

## MONTAJE Y FUNCIONAMIENTO

ACCIÓN	ILUSTRACIÓN
<b>MONTAJE</b>	
Montaje del eje del cortador	Véase la Fig. A
Montaje del mango auxiliar	Véase la Fig. B
Montaje de la guarda de seguridad	Véase la Fig. C

Extraer O Instalar La Batería  
**NOTA:**  
 • El cortacésped solo funciona si tiene instaladas 2 baterías. Utilice siempre las dos mismas baterías y cárguelas al mismo tiempo.  
 • Cuando se utilizan dos baterías con diferente cantidad de energía, la máquina funciona únicamente con base en el mínimo común denominador.

Véase la Fig. D1,D2

Cargar la batería  
**NOTA:**  
 • la batería se entrega descargada y debe cargarse completamente antes de cortar el césped por primera vez.  
 • Cargue siempre las dos baterías por completo y al mismo tiempo. Encontrará más información en el manual del cargador.

Véase la Fig. D3

Indicador de la batería en la máquina  
 Consulte la información de ESTADO DE LA BATERÍA

Véase la Fig. D4

**FUNCIONAMIENTO**

Interruptor de encendido / apagado

**!** **ADVERTENCIA!** El cabezal de corte continuará rotando después de apagar la podadora. Espere hasta que se haya detenido completamente para dejar la herramienta.

Véase la Fig. E

Desbrozo

Véase la Fig. F

- Ajuste de la manivela auxiliar

Véase la Fig. G

Abastecimiento Manual Del Hilo

Véase la Fig. H

Remoción de la tapa

Véase la Fig. I

Cabezal de corte

Véase la Fig. J

Cambiar el carrete del hilo

Véase la Fig. K,L

Para enrollar el hilo manualmente

Véase la Fig. M, N,O,P

**LED DE ESTADO DE LA BATERÍA (Véase la Fig.D4)**

Antes de encender la máquina o cuando termine de usarla, pulse el botón que hay al lado del indicador de encendido para ver el nivel de batería. Durante el funcionamiento. El indicador de batería muestra automáticamente el nivel de batería. Este indicador detecta y muestra el nivel de batería constantemente, tal como se indica a continuación. En las máquinas con 2 baterías con diferente cantidad de energía, el indicador de alimentación muestra el nivel de la batería con menos energía.

Estado del indicador de la batería	Estado de la batería
Se iluminan cinco luces en color verde (■ ■ ■ ■ ■).	Las dos baterías tienen mucha carga.
Se iluminan dos, tres o cuatro luces en color verde.	Hay energía en las dos baterías. Cuantas más luces se iluminen, mayor es la cantidad de energía restante.
Solo se ilumina una luz en color verde (■ □ □ □ □).	Como mínimo una batería está agotada y se tiene que cargar.
No se ilumina ninguna luz.	Como mínimo una batería no está bien instalada o tiene un fallo.
Parpadea una única luz con una frecuencia de dos veces por ciclo.	Como mínimo una batería está sobre descargada (consulte el estado de carga de la batería). Recargue las dos baterías al mismo tiempo antes de usarlas de nuevo o de guardarlas.
Parpadea una única luz con una frecuencia de tres veces por ciclo.	Como mínimo una batería está caliente. Deje enfriar las baterías antes de volver a encender la máquina.
Parpadea una única luz con una frecuencia de cuatro veces por ciclo.	La máquina está sobrecargada. Retire la herramienta de la zona de corte e inténtelo de nuevo.

**INSTRUCCIONES DE FUNCIONAMIENTO**

**!** **ADVERTENCIA!** El cargador y el pack de batería han sido específicamente diseñados para funcionar juntos, de modo que no procure utilizar ningún otro dispositivo. Nunca inserte o permita objetos metálicos en las conexiones del cargador o el pack de batería, ya que podrían ocurrir fallas y riesgos eléctricos.

**1. SISTEMA AUTOMÁTICO DE ABASTECIMIENTO DEL HILO**

Cuando se enciende el cortabordes, en principio se abastece una pequeña longitud de hilo. Se escuchará un golpeteo cuando los hilos lleguen a la cuchilla. Esto es normal y está causado por el hilo cortado por el cutter. Cuando el hilo se corta a la longitud correcta, el ruido de 'traqueteo' desaparece y el motor de la recortadora funcionará a plena velocidad. Para ello, debe dejarse que el cortabordes se detenga completamente y luego vuelva a arrancarlo, permitiendo que el motor alcance la velocidad máxima. Repitalo, hasta escuchar que los hilos lleguen a la cuchilla. (No repita este procedimiento más de 6 veces).

**2. ABASTECIMIENTO MANUAL DEL HILO (VÉASE FIG. H)**

Presione y suelte el botón de suministro de hilo mientras saca suavemente uno de los hilos hasta alcanzar el cúter. Cuando se haya suministrado la cantidad necesaria de hilo, tire del segundo hilo (no es necesario presionar el botón de suministro de hilo de nuevo). Si el hilo supera el cúter, significa que se ha suministrado demasiado hilo. En este caso, quite la tapa del carrete y haga clic en el carrete en sentido contrario de las agujas del reloj hasta que el hilo alcance la longitud deseada.

### Remoción de la tapa (Véase Fig. I)

Presione y sostenga los dos pestillos. Separe la tapa del cabezal de corte de este. Mantenga la tapa del cabezal de corte y el interior de dicho cabezal limpios. Para volver a colocar la tapa del cabezal de corte, presiónela firmemente en el soporte del carrete. Verifique que la tapa queda correctamente instalada tratando de retirarla sin presionar los dos pestillos.

### Cambiar el carrete del hilo (Véase Fig. K, L)

Primero quitar el capuchón y retirar el carrete antiguo. Coloque el nuevo carrete en el cabezal de corte. Inserte un hilo por el orificio y, a continuación, repita este paso para el segundo hilo. (Véase Fig. L) Libere la línea del resalte del carrete. Vuelva a colocar la tapa del cabezal de corte.

**¡ADVERTENCIA!** Su cortabordes está diseñado para el empleo de hilos de un diámetro máximo de 1.65mm. Utilice solamente hilo de nailon.

**¡IMPORTANTE!** Siempre enrolle el hilo primeramente por la parte superior de la bobina.

### 3. PARA ENROLLAR EL HILO MANUALMENTE (VÉASE FIG. M, N, O, P)

Utilice aproximadamente 5 m. de cable. Inserte 15 mm. del mismo en los orificios y enrolle el cable en la dirección de las flechas mostradas sobre el carrete. Repita el proceso con un trozo independiente de hilo en la sección inferior del carrete.

Deje aproximadamente 100 mm de hilo sin enrollar y colóquelos en la ranura. Debe tomarse especial cuidado en asegurarse de que el hilo está perfectamente enrollado alrededor de la bobina. De lo contrario, se deteriorará la eficiencia del abastecimiento automático de hilo. Luego instale la bobina tal como se describe en

## SOLUCIÓN DE PROBLEMAS

La siguiente tabla enumera posibles problemas y las acciones que deberá realizar si la máquina no funciona correctamente.



**ADVERTENCIA:** Apague la máquina y extraiga la batería antes de proceder con la solución de problemas.

Problemas	Posibles causas	Acción correctora
La recortadora no funciona.	Batería descargada. La batería está demasiado fría o caliente. El motor está roto. El cableado interno de la máquina está dañado.	Recargue la batería, encontrará más información en el manual del cargador. Deje que la batería se enfríe o caliente. Póngase en contacto con el agente de servicio. Póngase en contacto con el agente de servicio.
La recortadora funciona de forma intermitente.	El motor está roto. La batería no está cargada por completo. Interruptor de encendido/apagado defectuoso.	Póngase en contacto con el agente de servicio. Recargue la batería. Póngase en contacto con el agente de servicio.

"Instalación del conjunto hilo-bobina".

## ALMACENAMIENTO



**Extraiga siempre la batería de la podadora después del uso.**

### Almacenamiento del cortabordes

El cortabordes tiene una ranura para colgarlo de la pared. (Véase la Fig.Q)  
Guárdelo en un lugar seco donde el cortabordes y la batería estén protegidos adecuadamente y no puedan resultar dañados.

## MANTENIMIENTO



**Extraiga siempre la batería de la podadora después del uso.**

**Compruebe siempre que el producto no presenta daños antes de utilizarlo.**

Extraiga la batería del aparato cuando no lo utilice. Su herramienta eléctrica no requiere de lubricación ni mantenimiento adicional. No posee piezas en su interior que deban ser reparadas por el usuario. Nunca emplee agua o productos químicos para limpiar su herramienta. Use simplemente un paño seco. Guarde siempre su herramienta en un lugar seco. Mantenga limpias las ranuras de ventilación del motor. Mantenga todos los controles de funcionamiento libres de polvo.

## PROTECTION AMBIENTAL



Los residuos de equipamientos eléctricos y electrónicos no deben depositarse con las basuras domésticas. Se recogen para reciclarse en centros especializados. Consulte las autoridades locales o su revendedor para obtener informaciones sobre la organización de la recogida.

Excesivas vibraciones o ruido.	Máquina defectuosa. El carrete de línea no está correctamente bobinado.	Póngase en contacto con el agente de servicio. Vuelva a enrollar la línea. Consulte "Para enrollar el hilo manualmente".
El tiempo de corte por carga de batería es demasiado breve.	La batería lleva tiempo sin ser utilizada o se ha cargado demasiado poco. La hierba está demasiado alta. La batería está defectuosa.	Cargue la batería al completo, encontrará más información en el manual del cargador.  Corte por fases. Cambie la batería.
La máquina no corta.	La línea está rota. La batería no está cargada por completo. El motor está roto (la velocidad es demasiado baja). Se ha enredado hierba en el cabezal de corte.	Cambie la línea. Recargue la batería, encontrará más información en el manual del cargador.  Póngase en contacto con el agente de servicio. Quite la hierba.
Iluminación continua del indicador de carga de la batería. No es posible cargar.	La batería no está (correctamente) insertada Los contactos de la batería están defectuosos. La batería está defectuosa.	Inserte correctamente la batería en el cargador de baterías. Limpie los contactos de la batería o cambie la batería. Cambie la batería.
El indicador de carga de la batería no se enciende.	El enchufe del cargador de la batería no está enchufado (correctamente). Toma de corriente, cable de alimentación o cargador de batería defectuosos.	Inserte el enchufe (totalmente) en la toma de corriente. Compruebe el voltaje de la red, solicite a un agente de servicio posventa autorizado que compruebe el cargador de baterías.
La alimentación automática no funciona	La línea de corte no está correctamente bobinada. La línea está enrollada. La línea se ha agotado.	Alimente la línea manualmente; si sigue sin poder alimentarse, quite el carrete y vuelva a enrollar la línea. Cambie por un carrete de línea nuevo.

## DECLARACIÓN DE CONFORMIDAD

Los que reciben,  
Positec Germany GmbH  
Grüner Weg 10, 50825 Cologne, Germany

Declaran que el producto  
Descripción **Cortacésped sin cable**  
Tipo **WG183E WG183E.9 (1-designación de maquinaria, representative del cortacésped sin cable)**  
Función **Cortar hierba y otras plantas blandas similares y recortar la hierba de los bordes**

Cumple con las siguientes Directivas,  
**2006/42/EC, 2014/30/EU, 2011/65/EU&(EU)2015/863, 2000/14/EC modificada por 2005/88/EC**

2000/14/EC modificada por 2005/88/EC:  
- Procedimiento de evaluación de la conformidad de acuerdo con **Annex VI**  
- Nivel de presión acústica **90.2 dB (A)**  
- Nivel de intensidad acústica **94 dB (A)**

Notificación realizada por  
**Nombre: ISET S.r.l. Unipersonale**  
**Dirección: Sede Legale e Uffici Via Donatori di sangue,9 – 46024 Moglia (MN)**

Normativas conformes a,  
**EN 60335-1, EN 50636-2-91, EN 62233, EN ISO 3744, EN 55014-1, EN 55014-2**

La persona autorizada para componer el archivo técnico,  
**Firma Marcel Filz**  
**Dirección Positec Germany GmbH**  
**Grüner Weg 10, 50825 Cologne, Germany**




2020/07/28  
Allen Ding  
Ingeniero Jefe Adjunto. Pruebas y Certificación.  
Positec Technology (China) Co., Ltd  
18, Dongwang Road, Suzhou Industrial Park, Jiangsu 215123, P. R. China

## **SEGURANÇA DO PRODUTO**

### **AVISOS GERAIS DE SEGURANÇA**



**ATENÇÃO** Leia atentamente as seguintes instruções. A não observância destas instruções pode causar choque eléctrico, incêndio e/ou lesões graves.

**Preserve todos avisos e instruções para referência futura.**

Este aparelho só deve ser utilizado com a fonte de alimentação fornecida com o mesmo.

### **IMPORTANTE**

### **LEIA CUIDADOSAMENTE**

### **ANTES DE UTILIZAR**

### **PRESERVE PARA FUTURA**

### **REFERÊNCIA**

#### **Práticas de utilização segura**

##### **1. Treino**

- Leia estas instruções atentamente. Familiarize-se com os comandos e a correcta utilização deste equipamento.
- Nunca permita que crianças, pessoas com capacidades físicas, sensoriais ou mentais reduzidas ou falta de experiência e conhecimento ou pessoas

não familiarizadas com estas instruções utilizem a máquina; os regulamentos locais poderão limitar a idade do operador.

- O utilizador desta ferramenta é responsável pelos acidentes ou pelas situações de perigo que afectem outras pessoas ou os bens destas.

##### **2. Preparação**

- Antes da utilização, proceda sempre à inspeção visual da máquina quanto a barreiras protetoras ou resguardos danificados, em falta ou mal colocados.
- Nunca utilize a máquina, quando estiverem outras pessoas, sobretudo crianças, ou animais nas redondezas.

##### **3. Funcionamento**

- Use sempre protecção ocular, calças compridas e calçado robusto enquanto opera a máquina.
- Evite usar a máquina em más condições atmosféricas, especialmente quando existe o risco de relâmpagos.
- Use a máquina apenas durante o dia ou com boa luz artificial.
- Nunca opere a máquina com barreiras de protecção

ou resguardos danificados ou sem colocar barreiras de proteção e resguardos no devido lugar.

- e) Ligue o motor apenas quando as mãos e os pés estão afastados de objetos cortantes.
- f) Desligue sempre a máquina da fonte de alimentação (por ex.: remova a ficha de alimentação da tomada elétrica)
  - 1) sempre que a máquina fica sem supervisão;
  - 2) antes de tentar eliminar a causa de qualquer encravamento;
  - 3) antes de verificar, limpar ou realizar qualquer trabalho no máquina;
  - 4) após bater num objecto estranho;
  - 5) sempre que a máquina começa a vibrar de forma anormal.
- g) Tenha cuidado para não ferir os pés e as mãos com objetos cortantes.
- h) Certifique-se sempre que as entradas de ar não se encontram obstruídas por detritos.
- i) Não adapte dispositivos de corte em metal.
- j) Ao trabalhar em superfícies

inclinadas certifique-se de que adopta uma posição estável.

- k) Caminhe, não corra.
- l) Não tentar alcançar pontos de difícil acesso e manter sempre o equilíbrio.
- m) Não tocar em peças móveis perigosas antes de a máquina ser desligada da fonte de alimentação e até o movimento das peças móveis perigosas ter parado completamente.

#### **4. Manutenção e armazenamento**

- a) Desligue a máquina da fonte de alimentação (por ex.: remova a ficha de alimentação da tomada elétrica) antes de realizar trabalhos de manutenção ou de limpeza.
- b) Utilize apenas as peças de substituição e os acessórios recomendados pelo fabricante.
- c) Proceda à inspeção e manutenção da máquina regularmente. Coloque a máquina em reparação apenas por um agente autorizado.
- d) Quando não estiver a ser utilizado, o máquina deve ser

guardado fora do alcance das crianças.

## **SEGURANÇA DA BATERIA AVISOS DE SEGURANÇA PARA A BATERIA**

**a) Não desmonte, abra ou corte as células da bateria.**

**b) Não submeta a bateria a curto-circuitos. Não armazena as baterias ao acaso numa caixa ou gaveta onde possam provocar um curto-circuito ou submetidas a curto-circuitos por materiais condutores.**

Quando não estiver a utilizar a bateria, mantenha-a afastada de outros objectos metálicos, como cliques, moedas, chaves, pregos, parafusos ou outros pequenos objectos de metal, que possam realizar uma ligação de um terminal a outro. Um curto-circuito dos terminais da bateria pode provocar queimaduras ou um incêndio.

**c) Não exponha a bateria ao calor ou a incêndios. Evite o armazenamento à exposição de luz solar directa.**

**d) Não exponha a bateria ao**

**choque eléctrico.**

**e) Em casos de fugas na bateria, não permita que o líquido entre em contacto com a pele ou olhos.**

**Caso entre em contacto, lave a área afectada com quantidades abundantes de água e procure aconselhamento médico.**

**f) Procure imediatamente aconselhamento médico se ingerir uma célula ou bateria.**

**g) Mantenha a bateria limpa e seca.**

**h) Limpe os terminais da bateria com um pano limpo e seco em caso de sujidade.**

**i) A bateria necessita de ser carregada antes de ser utilizada. Consulte sempre estas instruções e utilize o procedimento de carga correcto.**

**j) Não mantenha a bateria a carregar quando não for utilizada.**

**k) Após longos períodos de tempos de armazenamento, pode ser necessário carregar e descarregar a bateria diversas vezes para obter o desempenho máximo.**

**l) A bateria regista o seu melhor desempenho quando é utilizada a uma temperatura ambiente normal (20 °C ± 5 °C).**

**m) Ao eliminar as baterias, mantenha as baterias com diferentes sistemas electroquímicos separadas umas das outras.**

**n) Recarregue apenas com o carregador especificado pela Worx. Não utilize um carregador que não se encontra especificado para a utilização com o equipamento.** Um

carregador adequado para um determinado tipo de bateria pode provocar risco de incêndio quando é utilizado com outra bateria.

**o) Não utilize uma bateria que não se encontra concebida para a utilização com o equipamento.**

**p) Mantenha a bateria fora do alcance das crianças.**

**q) Preserve as informações originais do produto para futura referência.**

**r) Retire a bateria do equipamento quando não estiver em utilização.**

**s) Elimine-a de forma**

**adequada.**

**t) Não misture pilhas de diferente fabrico, capacidade, tamanho ou tipo num dispositivo.**












**u) Não remova a bateria da respetiva embalagem original até ser necessário para utilização.**

**v) Observe as marcas de sinal positivo (+) e sinal negativo (-) na bateria e assegure a utilização correta.**

## SÍMBOLOS

	Ler o manual
	Mantenha as outras pessoas afastadas
	Use proteção ocular e auditiva
	Não exponha a máquina à chuva
	Os equipamentos eléctricos não devem ser despositados com o lixo doméstico. Se existirem instalações adequadas deve reciclá-los. Consulte a sua autoridade local para tratamento de lixo ou fornecedor para obter aconselhamento sobre reciclagem.



 Li-Ion 	<p>Bateria de íões de lítio Este produto foi marcado com um símbolo relacionado com a "recolha separada" de todos os conjuntos de baterias e o conjunto de bateria. Será reciclada ou desmontada para reduzir o impacto no meio ambiente. Os conjuntos de baterias podem ser perigosos para o meio ambiente e para a saúde humana, uma vez que contêm substâncias perigosas.</p>
	<p>As baterias poderão entrar no ciclo hídrico caso sejam descartadas indevidamente, o que pode representar perigo para o ecossistema. Não elimine as baterias usadas como resíduos municipais não separados.</p>
	<p>Não queimar</p>
	<p>Usar luvas de proteção.</p>
	<p>Certifique-se de que a bateria é removida antes de substituir os acessórios.</p>
	<p>Corte</p>
	<p>Bloquear</p>
	<p>Desbloquear</p>
	<p>Correto</p>
	<p>Incorreto</p>

## LISTA DE COMPONENTES

### 1. BATERIAS \*

2. INTERRUPTOR ON/OFF
3. EIXO SUPERIOR
4. BOTÃO DE AJUSTE DO MANÍPULO
5. UNIÃO DO VEIO INFERIOR
6. DISPOSITIVO DE SEGURANÇA
7. BOTÃO DE ALIMENTAÇÃO
8. CORTADOR DA LINHA
9. PEGA AUXILIAR
10. BOTÃO DE BLOQUEIO
11. INDICADOR DE ALIMENTAÇÃO DA BATERIA
12. CABEÇA DO CORTADOR (VER FIG.I)
13. TAMPA DO CARRETO (VER FIG. J)
14. LINGUETA DE LIBERTAÇÃO DA COBERTURA (VER FIG.J)
15. BOBINA (VER FIG.J)
16. ILHÓ(VER FIG.J)



\* Acessórios ilustrados ou descritos não estão totalmente abrangidos no fornecimento.

57

## DADOS TÉCNICOS

Tipo **WG183E WG183E.9 (1-designação da máquina, representativa do Aparador de Relva sem Fio)**

	WG183E	WG183E.9
Tensão	40 V $\equiv$ MAX (2x20 V MAX) **	
Velocidade sem carga	6800 /min	
Diâmetro de corte	33 cm	
Espessura do fio	1.65 mm	
Comprimento da linha de corte	5 m (Saída dupla)	
Tipo de bateria	Lithium-ion	/
Modelo da bateria	WA3551.1(2.0 Ah)	/
Modelo do carregador	WA3772	/

Corrente do carregador	Entrada: 100-240 V~50/60Hz, 50 W Saída 1: 20 V  , 2.0 A*** Saída 2: 20 V  , 2.0 A***	/
Tempo de carga (Aprox.) Baterias: 2.0 Ah (1 pc) 2.0 Ah (2 pcs)	65 mins 130 mins	/
Peso	2.9 kg	2.2 kg

\*\*Tensão medida sem carga. A tensão inicial da bateria atinge o máximo de 20 volts. A tensão nominal é de 18 volts.  
\*\*\* As saídas 1 e 2 do carregador são duas portas com a mesma tensão e corrente de saída.

## ACESSÓRIOS

	WG183E	WG183E.9
Baterias (WA3551.1)	2	/
Carregador (WA3772)	1	/
Bobina (WA0007)	1	1
Tampa do carreto (WA0216)	1	1
Dispositivo de segurança	1	1
Pega auxiliar	1	1

Recomendamos-lhe que compre todos os acessórios no fornecedor onde tenha adquirido a ferramenta. Para mais pormenores, consulte a embalagem destes. Os comerciais também pode ajudar e aconselhar.

## INFORMAÇÃO DE RUÍDO

Pressão de som avaliada	$L_{pA} = 75.8 \text{ dB(A)}$
$K_{pA}$	3.0 dB(A)
Potência de som avaliada	$L_{WA} = 90.2 \text{ dB(A)}$
$K_{WA}$	3.0 dB(A)

Use protecção de ouvidos.



## INFORMAÇÃO DE VIBRAÇÃO

Vibração característica ponderada	$a_h < 2.5 \text{ m/s}^2$
-----------------------------------	---------------------------

Instabilidade  $K = 1.5 \text{ m/s}^2$

O valor total declarado da vibração poderá ser utilizado para comparar uma ferramenta com outra e poderá também ser utilizado numa avaliação preliminar de exposição.


**!** **AVISO:** Os valores de emissão de vibração durante a utilização da ferramenta podem divergir dos valores declarados, dependendo da forma como a ferramenta é utilizada, dependendo dos exemplos seguintes e de outros modos de utilização:  
O modo como a ferramenta é utilizada, os materiais a cortar ou perfurar.  
A ferramenta estar em boas condições e bem conservada.  
A utilização do acessório correcto para a ferramenta e a garantia de que está afiada e em boas condições.  
A firmeza com que se segura nas pegas e se quaisquer acessórios vibratórios são utilizados.  
Se a ferramenta é utilizada para o objectivo para a qual foi concebida e segundo as instruções.

**Esta ferramenta pode causar síndrome de vibração mão-braço, se não for adequadamente utilizada.**

**!** **AVISO:** Para ser preciso, uma estimativa do nível de exposição nas condições actuais de utilização devem ter em conta todas as partes do ciclo de operação, como tempos em que a ferramenta está desligada e quando está em funcionamento, mas inactiva, ou seja, não realizando o seu trabalho. Isto poderá reduzir significativamente o nível de exposição durante o período total de trabalho.  
Como minimizar o seu risco de.  
Utilize SEMPRE formões, brocas e lâminas afiadas.  
Mantenha esta ferramenta de acordo com as instruções e bem lubrificada (quando aplicável).  
Se a ferramenta for utilizada regularmente, invista em acessórios anti-vibração.  
Planeie o seu horário de trabalho de forma a distribuir a utilização de ferramentas de alta vibração ao longo de vários dias.

## MONTAGEM E FUNCIONAMENTO

AÇÃO	FIGURA
<b>MONTAGEM</b>	
Montar o veio do aparador	Ver Fig. A
Montar a pega auxiliar	Ver Fig. B
Montagem da Protecção de Segurança	Ver Fig. C

<p>Como Retirar Ou Instalar O Conjunto De Baterias</p> <p><b>NOTA:</b></p> <p>• <b>Este corta-relvas funciona apenas com as duas baterias instaladas. Utilize sempre as mesmas duas baterias e carregue as duas baterias ao mesmo tempo.</b></p> <p>• <b>Ao utilizar duas baterias com potências diferentes, a máquina irá apenas funcionar com o denominador comum mais baixo.</b></p>	Ver Fig. D1,D2
<p>Carregamento da bactéria</p> <p><b>NOTA:</b></p> <p>• A embalagem da bateria é expedida sem carga. A bateria tem de ser totalmente carregada antes de cortar a relva pela primeira vez.</p> <p>• Carregue sempre as duas baterias até ao fim e ao mesmo tempo. Pode encontrar mais detalhes no manual do carregador.</p>	Ver Fig. D3
<p>Indicador de Alimentação da bateria na máquina</p> <p>Consulte os detalhes na parte referente ao ESTADO DA BATERIA</p>	Ver Fig. D4
<b>FUNCIONAMENTO</b>	
<p>Interruptor On/Off</p> <p> <b>AVISO!</b> A cabeça do cortador continua a rodar depois de desligar a máquina; ser desligada, espere até ela parar para pousar a ferramenta.</p>	Ver Fig. E
Corte	Ver Fig. F
- Ajustamento do Manípulo Auxiliar	Ver Fig.G
Para posicionar manualmente a linha	Ver Fig. H
Para remover a cobertura	Ver Fig. I
Cabeça do cortador	Ver Fig. J
MUDAR A BOBINA DE LINHA	Ver Fig. K,L
Para instalar apenas a linha de nylon	Ver Fig. M, N,O,P


#### LEDS DE ESTADO DA BATERIA (Ver Fig. D4)

Antes de iniciar ou depois da utilização, prima o botão ao lado da luz indicadora de energia na máquina para verificar a capacidade da bateria. Durante o funcionamento, a capacidade da bateria será indicada automaticamente pelo indicador de energia da bateria. O indicador deteta e exhibe constantemente a condição da bateria como apresentado abaixo.

Para a máquina com conjuntos de duas baterias com diferentes potências, a luz indicadora de energia exhibe a condição da bateria com menos capacidade.

Estado do indicador de alimentação da bateria	Estado da bateria
Cinco luzes verdes (■ ■ ■ ■ ■) estão acesas.	As duas baterias estão num estado totalmente carregado.
Duas ou três ou quatro luzes verdes estão acesas.	As suas baterias têm carga remanescente. Quanto mais luzes estiverem acesas, mais capacidade tem a bateria.
Apenas uma luz verde (■ □ □ □ □) está acesa.	Pelo menos uma bateria está gasta e necessita de ser carregada.
Nenhuma luz está acesa.	Pelo menos uma bateria não está totalmente instalada ou a bateria está com defeito.
Apenas uma luz está intermitente duas vezes por ciclo.	Pelo menos uma bateria está descarregada em excesso (por favor, consulte o estado de carga da bateria), por favor, recarregue as duas baterias de uma vez só antes de utilizar novamente ou de proceder ao armazenamento.
Apenas uma luz está intermitente três vezes por ciclo.	Pelo menos uma bateria está quente, aguarde que arrefeçam antes de iniciar novamente.
Apenas uma luz está intermitente quatro vezes por ciclo.	A máquina está sobrecarregada. Retire a ferramenta da área de corte e tente novamente.

## INSTRUCCIONES DE FUNCIONAMIENTO

 **AVISO!** O carregador e o conjunto de baterias são concebidos especificamente para trabalhar em conjunto e, por isso, não tente utilizar outros dispositivos. Nunca introduza ou deixe entrar objectos metálicos no seu carregador ou nas ligações do conjunto de baterias porque pode causar falhas eléctricas ou perigos.

### 1. Sistema de alimentação automático

Quando ligar o cortador, um pequeno comprimento da linha fica saliente. Ouve-se um barulho de 'metal' quando as linhas tocarem no cortador de linhas. Isso é normal e é causado pelo corte da linha realizado pelo cortador. Após o corte da linha para o comprimento correcto, o "ruído" irá parar e o motor do aparador funcionará à velocidade máxima.

Para alimentar mais linha, é necessário primeiro que a máquina pare completamente e depois seja ligada de novo, até o motor atingir a velocidade máxima. Repita isto até ouvir as linhas baterem no cortador da linha. (Não repita este processo mais de 6 vezes)

## 2. Para posicionar manualmente a linha (Ver Fig. H)

Pressione e liberte o botão de avanço de linha enquanto puxe cuidadosamente uma das linhas até que esta atinja o cortador. Quando a linha retirada tiver o comprimento correcto, puxe a segunda linha (não é necessário pressionar novamente o botão de avanço de linha). Se o comprimento da linha passar o cortador, significa que foi retirada demasiada linha.

Caso seja retirada demasiada linha, remova a tampa da bobina e rode a bobina no sentido contrário aos ponteiros do relógio até que a linha tenha o comprimento desejado.

## Para remover a cobertura (Ver Fig. I)

Mantenha premidas as duas linguetas. Retire a tampa da cabeça de corte da cabeça de corte. Mantenha a tampa da cabeça de corte e o interior da cabeça de corte livre de sujidade. Para voltar a colocar a tampa da cabeça de corte, encaixe-a firmemente no suporte da bobina. erifique se a cobertura está correctamente instalada tentando removê-la sem premir as duas linguetas.

## MUDAR A BOBINA DE LINHA (Ver Fig. K, L)

Primeiro retire a tampa e remova a bobina antiga. Coloque a nova bobina na cabeça de corte. Passe uma linha pelo orifício e repita o processo para a segunda linha. (Ver Fig. L) Solte a linha do gancho na bobina. Volte a colocar a tampa da cabeça de corte.

**AVISO!** A máquina foi preparada para usar apenas uma linha com um diâmetro máximo de 1.65mm. Utilize apenas linha de nylon.

**IMPORTANTE** - Enrole sempre primeiro a linha na secção superior da bobina.

## 3. PARA ENROLAR A LINHA MANUALMENTE (Ver Fig. M, N, O, P)

Separe aproximadamente 5 metros de linha. Insira 15 mm da linha num dos orifícios na secção superior da bobina e enrole a linha na direcção das setas na parte superior da bobina. Repita o processo com outro pedaço de linha na secção inferior da bobina

Deixe aproximadamente 100mm de linha desenrolados e coloque na cavilha.

Deve ter cuidado para garantir que a linha está perfeitamente enrolada na bobina. Se não o fizer, a eficiência da entrada automática da linha é reduzida. Depois instale a bobina como descrito em "MUDAR A

BOBINA DE LINHA".

## ARMAZENAR O SEU CORTADOR DE RELVA

**Remove sempre o conjunto de pilhas do seu cortador após a utilização.**

### Para armazenar o corta-relva

O corta-relva é fornecido com uma ranhura de suspensão para armazenar o corta-relva na parede. (Ver Fig. Q) Guarde num local seco onde o corta-relva e a bateria estão protegidos contra danos.

## MANUTENÇÃO

**Remove sempre o conjunto de pilhas do seu cortador após a utilização.**


**Verifique sempre eventuais danos no produto antes de ser utilizado.**

Antes de realizar qualquer trabalho na própria máquina, retire a ficha de alimentação da tomada.

A sua ferramenta não requer qualquer lubrificação ou manutenção adicional. Na sua ferramenta eléctrica, não existem componentes susceptíveis de serem substituídos pelo utilizador. Nunca utilize água ou produtos químicos para limpar a sua ferramenta.

Limpe-a com um pano macio. Guarde sempre a sua ferramenta num local seco. Mantenha as ranhuras de ventilação do motor devidamente limpas. Mantenha todos os controlos de trabalho sem poeira.

## PROTECÇÃO AMBIENTAL

 Os equipamentos eléctricos não devem ser despositados com o lixo doméstico. Se existirem instalações adequadas deve reciclá-los. Consulte a sua autoridade local para tratamento de lixos ou fornecedor para obter aconselhamento sobre reciclagem.

## RESOLUÇÃO DE PROBLEMAS

A tabela seguinte lista problemas e acções que pode executar caso o seu equipamento não esteja a funcionar correctamente.

**AVISO:** Desligue o equipamento e remova a bateria antes de tentar resolver qualquer problema.

Problemas	Causas possíveis	Ação de correcção
O aparador de relva não funciona.	Bateria descarregada. Bateria muito quente/fria. Motor avariado. Circuitos internos do equipamento estão danificados.	Carregue a bateria; ver também conteúdo no manual do carregador. Deixe a bateria arrefecer/aquecer. Contacte o agente autorizado. Contacte o agente autorizado.

O aparador de relva funciona de forma intermitente.	Motor avariado. Bateria não está totalmente carregada. O computador de alimentação está defeituoso.	Contacte o agente autorizado. Carregue a bateria.  Contacte o agente autorizado.
Vibração/ruído excessivos.	Equipamento defeituoso. A bobina não está bem enrolada.	Contacte o agente autorizado. Enrole a linha na bobina. Consulte a secção "Para instalar apenas a linha de nylon"
Tempo de corte muito curto para a carga da bateria.	A bateria não foi usada durante muito tempo ou foi carregada durante um período de tempo muito curto. A relva está muito grande. A bateria está defeituosa.	Carregue completamente a bateria; ver também conteúdo no manual do carregador. Corte a relva por etapas. Substitua a bateria.
O aparador não corta a relva.	A linha está partida. Bateria não está totalmente carregada. O motor está avariado (velocidade muito baixa). Relva enrolada em redor da cabeça de corte.	Substitua a linha. Carregue a bateria; ver também conteúdo no manual do carregador. Contacte o agente autorizado. Remova a relva.
O indicador de carga da bateria está sempre a acender. Não é possível carregar a bateria.	A bateria não está (correctamente) introduzida. Os contactos da bateria estão contaminados.  A bateria está defeituosa.	Introduza correctamente a bateria no carregador. Limpe os contactos da bateria (por exemplo: remover/installar o conjunto de pilhas) ou substitua-a. Substitua a bateria.
O indicador de carga da bateria está sempre a acender.	A bateria não está (correctamente) introduzida. A linha está emaranhada. Os contactos da bateria estão contaminados. A bateria está defeituosa.	Insira (totalmente) a ficha na tomada eléctrica. Verifique a corrente da tomada eléctrica, peça a um agente autorizado para verificar o carregador da bateria.
O enrolamento automático da linha não funciona.	A linha de corte não está bem enrolada. A linha está gasta.	Enrole a linha manualmente, se não conseguir, remova a Bobina e enrole a linha. Substitua a bobina usada por uma nova.

## DECLARAÇÃO DE CONFORMIDADE

Nós,  
Positec Germany GmbH  
Grüner Weg 10, 50825 Cologne, Germany

Declaramos que o produto,  
Descrição **Aparador de Relva sem Fio**  
Tipo **WG183E WG183E.9 (1-designação da máquina, representativa do Aparador de Relva sem Fio)**  
Função **cortar relva e vegetação macia similar e para aparar cantos de relva**

Cumpre as seguintes Directivas,  
**2006/42/EC, 2014/30/EU, 2011/65/EU&(EU)2015/863, 2000/14/EC rectificada em 2005/88/EC**

2000/14/EC rectificada em 2005/88/EC:  
- Processo de Avaliação de Conformidade segundo **Annex VI**  
- Nível de Volume de Som Medido **90.2 dB (A)**  
- Nível de Volume de Som Garantido **94 dB (A)**

Organismo notificado envolvido  
**Nome : ISET S.r.l. Unipersonale**

**Endereço:Sede Legale e Uffici Via Donatori di sangue,9 – 46024 Moglia (MN)**

Normas em conformidade com  
**EN 60335-1, EN 50636-2-91, EN 62233, EN ISO 3744, EN 55014-1, EN 55014-2**

Pessoa autorizada a compilar o ficheiro técnico,  
**Nome Marcel Filz**  
**Endereço Positec Germany GmbH**  
**Grüner Weg 10, 50825 Cologne, Germany**




2020/07/28  
Allen Ding  
Engenheiro-chefe adjunto, Teste e Certificação  
Positec Technology (China) Co., Ltd  
18, Dongwang Road, Suzhou Industrial Park, Jiangsu 215123, P. R. China

## **PRODUCTVEILIGHEID**

### **ALGEMENE**

### **VEILIGHEIDSWAARSCHUWINGEN**



#### **WAARSCHUWING** **Lees alle instructies**

**zorgvuldig door.** *Indien u zich niet aan alle onderstaande instructies houdt, kan dat leiden tot een elektrische schok, brand en/of ernstig letsel.*

#### **Bewaar alle waarschuwingen en instructies voor latere naslag.**

Het apparaat mag slechts gebruikt worden met de netadapter die bij het apparaat geleverd wordt.

### **BELANGRIJK**

### **LEES DIT VOOR GEBRUIK**

### **BEWAAR DEZE INSTRUCTIES**

### **VOOR LATERE NASLAG**

#### **Aanwijzingen voor een veilig gebruik**

##### **1. Training**

- a) Lees de instructies zorgvuldig door. Maak uzelf bekend met de bediening en het juiste gebruik van het apparaat.
- b) Laat nooit kinderen, personen met verminderde fysieke, sensorische of mentale vaardigheden, of zonder ervaring en kennis, of mensen die niet vertrouwd zijn met

deze gebruiksinstructies de machine bedienen, het is mogelijk dat de plaatselijke wetgeving een leeftijdslimiet oplegt.

- c) Denk eraan dat de gebruiker verantwoordelijk is voor ongevallen en schade die ontstaan met andere personen en hun eigendommen.

##### **2. Voorbereiding**

- a) Voor gebruik moet u altijd de machine op beschadigde, ontbrekende of misplaatste afschermingen controleren.
- b) Bedien de machine nooit wanneer er mensen, met name kinderen, of huisdieren in de buurt zijn.

##### **3. Bediening**

- a) Draag tijdens het bedienen van de machine te allen tijde oogbescherming, een lange broek en stevige schoenen.
- b) Vermijd het gebruik van de machine in slechte weersomstandigheden in het bijzonder wanneer er een risico op bliksemingslag is.
- c) Gebruik de machine alleen overdag of met goed kunstlicht.
- d) Gebruik de machine nooit met beschadigde afschermingen

- of zonder afschermingen.
- e) Schakel de motor alleen aan wanneer de handen en vouten zich uit de buurt van de messen bevinden.
  - f) Schakel de machine altijd uit vanaf de stroomvoorziening (resp. haal de accu uit de machine)
    - 1) wanneer de machine onbeheerd wordt achtergelaten;
    - 2) voordat u een blokkering wilt verwijderen;
    - 3) voordat u de machine controleert, schoonmaakt of eraan werkt;
    - 4) nadat u een vreemd object heeft geraakt;
    - 5) wanneer de machine abnormaal begint te trillen.
  - g) Voorkom letsels aan voeten en handen door de messen.
  - h) Zorg er altijd voor dat de ventilatieopeningen niet geblokkeerd worden.
  - i) Monteer nooit metalen snijelementen.
  - j) Zorg er op hellingen altijd voor dat u stevig staat.
  - k) Loop, ren niet.
  - l) Niet te ver reiken en te allen tijde het evenwicht houden.
  - m) Raak geen bewegende onderdelen aan voordat de machine is ontkoppeld van

de voeding en de bewegende onderdelen tot een volledige stop zijn gekomen.

#### **4. Onderhoud en opslag**

- a) Ontkoppel de machine van de stroomvoorziening (resp. haal de accu uit de machine) voor het uitvoeren van onderhouds- of reinigingswerkzaamheden.
- b) Gebruik alleen de aanbevolen vervangingsonderdelen en accessoires.
- c) Inspecteer en onderhoud de machine regelmatig. Laat de machine alleen door een ervaren technicus onderhouden.
- d) Bewaar de machine buiten bereik van kinderen als hij niet in gebruik is.

#### **BATTERIJVEILIGHEID VEILIGHEIDSINSTRUCTIES VOOR HET ACCUPACK**

- a) Batterijcellen en accupacks mogen niet gedemonteerd, geopend of vernietigd worden.**
- b) Sluit accupacks niet kort. Bewaar accupacks niet willekeurig in een doos of lade waar ze elkaar kunnen kortsluiten of door geleidende voorwerpen**

**kortgesloten kunnen worden.** Houd het accupack op een afstand van andere metalen voorwerpen als paperclips, muntstukken, sleutels, nagels, schroeven en andere kleine metalen voorwerpen die de contacten van de accupack kunnen verbinden. Kortgesloten contacten van accupacks kunnen brandwonden of brand veroorzaken.

- c) Stel accupacks niet bloot aan warmte of vuur. Vermijd opslag in direct zonlicht.**
- d) Stel accupacks niet bloot aan mechanische schokken.**
- e) Als een accu lekt dient men voorzichtig te zijn dat de vloeistof niet in contact komt met de huid of de ogen. Als dat toch gebeurt spoelt men de huid onder stromend water en raadpleegt men een arts.**
- f) Raadpleeg meteen een arts wanneer een batterij of accupack is ingeslikt .**
- g) Houd batterijcellen en accupacks schoon en droog.**
- h) Veeg de aansluitingen van het accupack schoon met**

**een droge doek als ze vuil zijn geworden.**

- i) Accupacks moeten voor gebruik worden opgeladen. Lees de gebruiksaanwijzing voor de juiste laadinstructies.**
- j) Laat accupacks niet langdurig opladen als ze niet worden gebruikt.**
- k) Na een lange opslagperiode kan het nodig zijn het accupack enkele keren op te laden en te ontladen voor een optimale prestatie.**
- l) Accupacks presteren het best bij normale kamertemperatuur (20 °C ± 5 °C).**
- m) Wanneer u accupacks wegwerpt, dient u accupacks van verschillende elektrochemische systemen van elkaar afgezonderd te houden.**
- n) Laad alleen op met een lader met de technische gegevens van Worx. Gebruik geen andere lader dan de lader die specifiek voor dat doel met de apparatuur is meegeleverd. Een lader voor één type accupack geschikt**



*is kan een brandgevaar inhouden wanneer gebruikt met een ander type.*

- o) Gebruikt geen accupack dat niet bedoeld is voor gebruik met deze apparatuur.**
- p) Houd accupacks buiten het bereik van kinderen.**
- q) Bewaar de oorspronkelijke instructies van het product voor latere gebruik.**
- r) Verwijder het batterijpakket uit de apparatuur als het niet in gebruik is.**
- s) Volg de juiste procedure voor afvalverwijdering na afdanken van dit apparaat.**
- t) Gebruik geen cellen van verschillende fabrikanten, capaciteit, afmetingen of typen binnen een apparaat.**
- u) Verwijder het accupack niet uit de originele verpakking, tot dit nodig is voor gebruik.**
- v) Let op de plus (+) en min (-) markeringen op de accu en zorg voor correct gebruik.**

## SYMBOLLEN

	Lees de gebruiksaanwijzing
	Houd omstanders op afstand.
	Draag gehoor- en oogbescherming.
	Niet blootstellen aan regen
	Afgedankte elektrische producten kunt u niet met het normale huisafval weggooiden. Breng deze producten, indien mogelijk, naar een recyclecentrum bij u in de buurt. Vraag de verkoper of de gemeente naar informatie en advies over het recyclen van elektrische producten.
 Li-Ion 	Li-Ion-accu Dit product is uitgerust met een symbool dat 'gescheiden inzameling' aanduidt voor alle accu's. Ze worden dan gerecycled of gedemonteerd om de impact op het milieu te verminderen. Accu's kunnen gevaarlijk zijn voor het milieu en de menselijke gezondheid, omdat ze gevaarlijke stoffen bevatten.
	Accu's kunnen in de waterkringloop terecht komen als ze op onjuiste wijze worden weggegooid, wat gevaarlijk kan zijn voor het ecosysteem. Gooi afgedankte accu's niet weg bij het ongesorteerde huishoudelijke afval.
	Steek niet brand

	Draag beschermende handschoenen
	Zorg ervoor dat de batterij voorafgaand aan het verwisselen van de accessoires wordt verwijderd.
	Trimmen
	Vergrendelen
	Ontgrendelen
	Goed
	Onjuist

## 15. SPOEL (ZIE FIG.J)

## 16. OOGJE (ZIE FIG.J)

\* Sommige afgebeelde of beschreven toebehoren worden niet meegeleverd.

## TECHNISCHE GEGEVENS

Type **WG183E WG183E.9** (1-aanduiding van machines, vertegenwoordiger van Draadloze grastrimmer)

	WG183E	WG183E.9
Spanning	40 V $\equiv$ MAX (2x20 V MAX) **	
Nominale snelheid onbelast	6800 /min	
Maaibreedte	33 cm	
Diameter draad	1.65 mm	
Lengte snijdraad	5 m (dubbele uitgang)	
Accutype	Lithiumion	/
Batterijmodel	WA3551.1(2.0 Ah)	/
Ladermodel	WA3772	/
Lader cijfer	Primair: 100-240 V~50/60 Hz, 50 W Secundair 1: 20 V $\equiv$ , 2.0 A*** Secundair 2: 20 V $\equiv$ , 2.0 A***	/
Oplaadtijd (Aprox.) Accupack: 2.0 Ah (1 pc) 2.0 Ah (2 pcs)	65 mins 130 mins	/
Gewicht	2.9 kg	2.2 kg

\*\* Spanning gemeten zonder belasting. Beginspanning batterij bereikt maximum 20 volt. Nominale spanning is 18 volt.

\*\*\* Uitgang van lader 1 en lader 2 betekent: twee poorten met dezelfde uitgangsspanning en -stroom.

## TOEBEHOREN

	WG183E	WG183E.9
Accupack (WA3551.1)	2	/

## DRIESNELHEIDSINSTELLINGEN

1. ACCUPACK \*
2. AAN/UITSCHAKELAAR
3. BOVENSTE SCHACHT
4. INSTELKNOP VOOR DE HENDEL
5. ONDERSTE ASKOPPELING
6. BESCHERMKAP
7. KNOP VOOR DRAADTOEVOER
8. DRAADSNIJDER
9. EXTRA HANDVAT
10. VEILIGHEIDS-UITSCHAKELAAR
11. BATTERIJ LAAD INDICATIE
12. SNIJGEDEELTE (ZIE FIG.I)
13. SPOELDEKSEL (ZIE FIG. J)
14. PAL VOOR LOSMAKEN AFDEKKAP (ZIE FIG.J)

Acculader (WA3772)	1	/
Spoel (WA0007)	1	1
Spoeldekse (WA0216)	1	1
Beschermkap	1	1
Extra handvat	1	1

Wij adviseren u alle accessoires te kopen in de winkel waar u het gereedschap heeft gekocht. Kijk op de verpakking van het accessoire voor meer informatie. Ook het winkelpersoneel kan u helpen en adviseren.

## GELUIDSPRODUCTIE

A- gewogen geluidsdruk  $L_{pA} = 75.8 \text{ dB(A)}$

$K_{pA}$  3.0 dB(A)

A- gewogen geluidsvermogen  $L_{WA} = 90.2 \text{ dB(A)}$

$K_{WA}$  3.0 dB(A)

**Draag oorbescherming.**



## TRILLINGSGEGEVENEN

Gewogen trillingswaarde  $a_h < 2.5 \text{ m/s}^2$

Onzekerheid  $K = 1.5 \text{ m/s}^2$

De aangegeven totale trillingswaarde kan worden gebruikt om het ene gereedschap te vergelijken met het andere, en kan ook worden gebruikt in een voorlopige beoordeling van de blootstelling.

**WAARSCHUWING:** De trillings emissie waarde tijdens het feitelijke gebruik van dit elektrisch gereedschap kan afwijken van de opgegeven waarde, afhankelijk van de wijze waarop het gereedschap wordt gebruikt, zoals in de volgende voorbeelden:

Hoe het gereedschap wordt gebruikt en welk materiaal wordt gesneden of geboord.

Of het gereedschap in goede staat verkeerd en correct wordt onderhouden.

Gebruik van de juiste toebehoren voor het gereedschap en of deze scherp zijn en in goede staat verkeren.

De stevigheid van de grip op de handgrepen en het eventuele gebruik van antivibratie- accessoires.

En of het gereedschap wordt gebruikt waarvoor het ontworpen is en in overeenstemming met deze instructies.

**Dit gereedschap kan een trillingsyndroom in de handen en armen veroorzaken als het niet op de juiste wijze gehanteerd wordt.**

**WAARSCHUWING:** Voor de nauwkeurigheid moet bij een schatting van het blootstellingsniveau in

de feitelijke gebruiksomstandigheden rekening worden gehouden met alle delen van de bedrijfs cyclus, zoals het moment waarop het gereedschap wordt uitgeschakeld en terwijl het gereedschap in werking is zonder daadwerkelijk gebruikt te worden. Dit kan het blootstellingsniveau over de totale werkperiode aanzienlijk verminderen.

Help de werkstelling aan trillingen te minimaliseren.

Gebruik ALTIJD scherpe beitels, boren en messen.


Onderhoud het gereedschap in overeenstemming met deze instructies en houd het goed gesmeerd (indien van toepassing).

Schaf antivibratie- accessoires aan wanneer u het gereedschap geregeld gebruikt.

Plan de werkzaamheden zodat de taken met veel trillingen over een aantal dagen verspreid worden.

## ASSEMBLAGE EN BEDIENING

ACTIE	FIGUUR
<b>MONTAGE</b>	
Montage van de trimmeras	Zie Fig. A
Montage van de extra handgreep	Zie Fig. B
De veiligheidskap monteren	Zie Fig. C
Het accupack verwijderen of plaatsen <b>OPMERKING:</b> • Deze grasmaaier zal alleen werken als beide accu's zijn gemonteerd. Gebruik altijd dezelfde twee accu's en laad de twee accu's op hetzelfde moment op. • Als u twee accu's met verschillend vermogen gebruikt, zal de machine alleen draaien volgens de laagste gemeenschappelijke noemer.	Zie Fig.D1,D2
Laden van het accupack <b>OPMERKING:</b> • het accupack wordt onopgeladen geleverd. Voor de eerste keer maaien moet het accupack volledig worden opgeladen. • Laad de twee accu's altijd op hetzelfde moment op. U vindt meer gedetailleerde informatie in de handleiding voor het laadapparaat.	Zie Fig. D3
Batterij laad indicatie op de machine Zie bijzonderheden in het gedeelte ACCUSTATUS	Zie Fig. D4
<b>BEDIENING</b>	

Aan/uitschakelaar  <b>WAARSCHUWING!</b> De snijkop blijft draaien nadat de maier is uitgeschakeld. Wacht tot de kop is gestopt voordat u het gereedschap neerlegt.	Zie Fig. E
TRIMMEN	Zie Fig. F
- Instelling van het hulphandvat	Zie Fig. G
Handmatige draadtoevoer	Zie Fig. H
De kap verwijderen	Zie Fig. I
Snijgedeelte	Zie Fig. J
DE SPOELLIJN VERVANGEN	Zie Fig. K, L
Alleen de snijdraad plaatsen	Zie Fig. M, N, O, P

### BATTERIJ STATUS (Zie Fig. D4)

Druk vóórdat u start of na gebruik de knop in naast het vermogensindicatielampje op de machine om de accucapaciteit te controleren. De accucapaciteit zal automatisch door de accuvermogensindicator worden aangegeven.


De indicator controleert en toont de accutoestand als volgt.

Voor een machine met 2 accupacks met verschillend vermogen toont het vermogensindicatielampje de accutoestand van de accu die het minste vermogen bevat.

Indicatie voor de status van het accuvermogen	Accustatus
Vijf groene lampjes (■ ■ ■ ■ ■) branden.	De twee accu's zijn geheel opgeladen.
Twee, drie of vier groen lampjes branden.	De twee accu's hebben restvermogen. Hoe meer lampjes oplichten, hoe meer accuvermogen.
Er brandt maar één groen lampje (■ □ □ □ □).	Minstens één accu is leeg en moet worden opgeladen.
Er brandt geen enkel lampje.	Minstens één accu is niet geheel geïnstalleerd of de accu is defect.
Er brandt maar één lampje tweemaal per cyclus.	Tenminste één accu is te ver ontladen (raadpleeg de oplaadstatus van de accu). Laad de twee accu's tegelijk op voordat u ze opnieuw gebruikt of opslaat.
Er brandt maar één lampje driemaal per cyclus.	Minstens één accu is heet. Wacht totdat hij is afgekoeld, voordat u opnieuw opstart.

Er brandt maar één lampje viermaal per cyclus.	Het apparaat is overbelast. Haal het apparaat uit het snoeigebied en probeer het nog eens.
--	--

## BEDIENINGSINSTRUCTIES

 **WAARSCHUWING!** De lader en het accupack zijn speciaal ontworpen om samen gebruikt te worden. Gebruik dus geen andere apparaten. Steek nooit metalen voorwerpen in de lader of in het accupack om elektrische defecten en ongelukken te voorkomen.

### 1. AUTOMATISCHE DRAADTOEVOER

Bij het inschakelen van de trimmer, komt er een klein stukje draad naar buiten.

U hoort een kletterend geluid wanneer de draad de draadsnijder raakt. Dit is normaal en wordt veroorzaakt doordat de draad wordt afgesneden door het draadsnijmes. Zodra de draad is afgesneden op de juiste lengte, zal het "kletterende" geluid stoppen en zal de trimmermotor op volle snelheid werken.

Om meer draad toe te voeren, moet de machine eerst helemaal gestopt zijn, en daarna opnieuw gestart worden totdat de motor op volle snelheid draait. Herhaal dit totdat u de draden de draadsnijder hoort raken. (Doe dit echter niet meer dan 6 keer.)

### 2. Handmatige draadtoevoer (ZIE FIG. H)

Druk op de draadvoedingsknop en laat deze los, terwijl u voorzichtig aan een van de draden trekt totdat deze bij het draadsnijmes komt.

Als de vereiste hoeveelheid draad is uitgetrokken, trekt u voorzichtig aan de tweede draad (u hoeft niet opnieuw op de draadvoedingsknop te drukken). Als de draad voorbij het draadsnijmes komt, is er te veel draad uitgetrokken.

Als er te veel draad is uitgetrokken, verwijdert u de spoeldeksel en klikt u de spoel tegen de klok in totdat de draad de gewenste lengte heeft.

### De kap verwijderen (Zie Fig. I)

Druk de palen.

Trek de snijkopdeksel aan de snijkop. Zorg ervoor dat er geen vuil in de snijkopdeksel en de binnenzijde van de snijkop komt. Druk de snijkopdeksel stevig op de spoelhouder om de deksel te verwijderen.

Controleer of de kap goed geplaatst is door aan de kap te trekken zonder de twee palen in te drukken.

### DE SPOELLIJN VERVANGEN (Zie Fig. K, L)

Neem eerst de dop af en verwijder de oude spoel. Plaats de nieuwe spoel op de snijkop. Haal een draad door het oogje en herhaal dit voor de tweede draad. (Zie Fig. L) Verwijder de draad uit de klem van de spoel. Plaats de snijkopdeksel weer terug.

 **WAARSCHUWING!** Deze trimmer is ontworpen om gebruikt te worden met een draad met een maximale diameter van 1,65mm. Gebruik alleen nylon draad.

**BELANGRIJK** - Wind de draad altijd eerst om de bovenkant van de spoel.

### 3. DE DRAAD HANDMATIG OPROLLEN (ZIE FIG. M, N, O, P)

Gebruik ongeveer 5 meter draad. Plaats 15mm in een van de gaten in de bovenkant van de spoel en draai de draad in de richting van de pijlen die op de spoel staan.

Wind ongeveer 100mm van de draad niet af en plaats deze in de klem. Herhaal deze procedure voor de onderkant van de spoel.  
 Zorg ervoor dat de draad netjes om de spoel gewonden zit. Als dat niet het geval is, wordt de efficiëntie van de automatische draadtoevoer gehinderd.  
 Plaats daarna de spoel terug zoals beschreven in "DE SPOELLIJN VERVANGEN".

## OPBERGEN



**Verwijder steeds na gebruik het batterijpakket uit de trimmer.**

### Uw trimmer opslaan

De trimmer is voorzien van een haak om hem aan de muur te kunnen ophangen. (Zie Fig. Q)  
 Bewaar hem op een droge plaats, waar de trimmer en de accu beschermd worden tegen beschadiging.

## ONDERHOUD



**Verwijder steeds na gebruik het batterijpakket uit de trimmer.**

**Controleer het product steeds voor gebruik op**

## PROBLEMEN OPLOSSEN

De volgende tabel toont problemen en handelingen die u kunt uitvoeren als de machine niet goed werkt.



**WAARSCHUWING:** schakel de machine uit en verwijder de batterij voordat u aan het werk gaat om een probleem op te lossen.

Problemen	Mogelijke oorzaken	Herstelhandeling
Trimmer werkt niet.	Batterij leeg.  Batterij te heet of te koud. Motor defect. Interne bedrading van de machine is beschadigd.	Laad de batterij; u vindt meer gedetailleerde informatie in de handleiding voor het laadapparaat. Laat hem afkoelen of opwarmen. Neem contact op met reparatiecentrum.
Trimmer werkt intermitterend.	Motor defect. Batterij niet volledig opgeladen. Aan/uit-schakelaar defect.	Neem contact op met reparatiecentrum. Laad batterij op. Neem contact op met reparatiecentrum.
Veel trillingen en lawaai.	Machine defect. Spoel is niet goed opgewikkeld.	Neem contact op met reparatiecentrum. Wikkel de lijn opnieuw op. Zie " Alleen de snijdraad plaatsen."
Bedrijfsduur per batterijlading is te kort.	Batterij is langere tijd niet gebruikt of slechts even opgeladen.  Gras te hoog Batterij defect.	Laad de batterij volledig op; u vindt meer gedetailleerde informatie in de handleiding voor het laadapparaat. Snij in lagen. Vervang de batterij.
Machine snijdt niet.	Lijn gebroken. Batterij niet volledig opgeladen.  Motor is defect (snelheid te laag). Gras om de snijkop gewikkeld.	Vervang de lijn. Laad de batterij volledig op; u vindt meer gedetailleerde informatie in de handleiding voor het laadapparaat. Neem contact op met reparatiecentrum. Verwijder gras.

## schade.

Trek de voedingskabel uit de aansluiting voordat gebruiken.  
 Dit elektrische gereedschap hoeft niet extra gesmeerd of onderhouden te worden. Dit gereedschap bevat geen onderdelen waaraan de gebruiker onderhoud kan of moet uitvoeren. Gebruik nooit water of chemische reinigingsmiddelen voor het schoonmaken van uw elektrische gereedschap. Veeg het schoon met een droge doek. Bewaar uw elektrische gereedschap altijd op een droge plek. Houd de ventilatiegaten van de motor schoon. Houd alle bedieningselementen vrij van stof.

## BESCHERMING VAN HET MILIEU



Afgedankte elektrische producten kunt u niet met het normale huisafval weggoien. Breng deze producten, indien mogelijk, naar een recyclecentrum bij u in de buurt. Vraag de verkoper of de gemeente naar informatie en advies over het recyclen van elektrische producten.

Lampje van de batterijlader brandt continu. Laden is niet mogelijk.	Batterij niet (goed) in de lader gestoken. Contacten van batterij vervuild. Batterij defect.	Steek de batterij goed in de lader. Maak de contacten schoon of vervang de batterij. Vervang de batterij.
Lampje van de batterijlader brandt niet.	Stekker van lader niet (goed) in stopcontact of batterijlader Stopcontact, aansluitkabel of batterijlader defect.	Steek de stekker (volledig) in het stopcontact Controleer de netspanning, laat de batterijlader controleren door een bevoegde reparatiecentrum.
Automatische draadaanvoer werkt niet.	Snijdraad is niet goed opgewikkeld. De draad is verward. De draad is op.	Voer de draad handmatig in, werkt het dan nog niet, verwijder dan de spoel en wikkel de draad opnieuw op. Plaats een nieuwe spoel met draad.

## CONFORMITEITVERKLARING

Wij,  
Positec Germany GmbH  
Grüner Weg 10, 50825 Cologne, Germany

Verklaren dat het product,  
Beschrijving **Draadloze grastrimmer**  
Type **WG183E WG183E.9 (1-aanduiding van machines, vertegenwoordiger van Draadloze grastrimmer)**  
Functie **maaien van gras en andere zachte vegetatie en voor het trimmen van grasranden**

Overeenkomt met de volgende richtlijnen,  
**2006/42/EC, 2014/30/EU, 2011/65/EU & (EU)2015/863, 2000/14/EC gewijzigd door 2005/88/EC**

2000/14/EC gewijzigd door 2005/88/EC:  
- Procedure beoordeling conformiteit volgens **Annex VI**  
- Niveau gemeten geluidsvermogen **90.2 dB (A)**  
- Opgegeven, gegarandeerde niveau geluidsvermogen **94 dB (A)**

De betrokken aangemelde instantie  
**Naam: ISET S.r.l. Unipersonale**  
**Adres: Sede Legale e Uffici Via Donatori di sangue,9 – 46024 Moglia (MN)**

Standaards in overeenstemming met,  
**EN 60335-1, EN 50636-2-91, EN 62233, EN ISO 3744, EN 55014-1, EN 55014-2**

De persoon die bevoegd is om het technische bestand te compileren,  
**Naam Marcel Filz**  
**Adres Positec Germany GmbH**  
**Grüner Weg 10, 50825 Cologne, Germany**




2020/07/28  
Allen Ding  
Plaatsvervangend Chief Ingenieur, Testen en Certificering  
Positec Technology (China) Co., Ltd  
18, Dongwang Road, Suzhou Industrial Park, Jiangsu 215123, P. R. China

## **PRODUKTSIKKERHED GENERELLE ADVARSLER I FORBINDELSE**

 **ADVARSEL Læs  
samtlige anvisninger.**

*Manglende overholdelse af  
nedenstående anvisninger kan  
resultere i elektrisk stød, brand  
og/eller alvorlig personskade.*

**Gem alle advarsler og  
instruktioner for fremtidig  
reference.**

Apparatet må kun anvendes  
sammen med den leverede  
strømforsyningsenhed.

## **VIGTIG LÆS OMHYGGE LIGT FØR BRUG GEM TIL FREMTIDIG REFERENCE**

### **Sikkerhedspraksisser**

#### **1. Træning**

- Læs instruktionerne omhyggeligt. Lær kontrollerne at kende og den korrekte brug af apparatet.
- Lad aldrig børn, personer med nedsatte fysiske, sensoriske eller mentale evner eller manglende erfaring og viden, eller folk der ikke kender disse instruktioner bruge maskinen; lokale regler kan begrænse alderen for

operatøren.

- Operatøren, eller brugeren er ansvarlig for ulykker eller fare, der opstår på andre mennesker eller deres ejendom.

#### **2. Forberedelse**

- Før brug skal du altid visuelt inspicere maskinen for beskadigelse, mangler eller malplacerede vagter eller skjolde.
- Maskinen må aldrig køre, mens mennesker, specielt børn, eller kæledyr er i nærheden.

#### **3. Drift**

- Bær øjenbeskyttelse, lange bukser og sikkerhedssko hele tiden, når du arbejder med maskinen.
- Undgå brug af maskinen under dårlige vejrforhold, specielt ved risiko for lyn.
- Brug kun maskinen i dagslys eller med godt kunstigt lys.
- Benyt aldrig maskinen, når vagter og skjolde er beskadigede eller mangler.
- Tænd kun for motoren, når hænder og fødder er fjernet fra de skærende dele.
- Afbryd altid maskinen fra strømforsyningen (fjern f.eks. stikket fra maskinen)

- 1) når maskinen efterlades uden opsyn;
- 2) før du fjerner en blokering;
- 3) før kontrol, rengøring og før der arbejdes på maskinen;
- 4) efter at du har ramt et fremmedlegeme;
- 5) når maskinen begynder at vibrere unormalt.
- g) Vær opmærksom på at undgå skade på fødder og hænder fra de skærende dele.
- h) Forvis dig altid om at ventilationsåbningerne holdes fri for affald.
- i) Monter aldrig metalskæreblade.
- j) Hold altid dit fodfæste på hældninger.
- k) Gå, løb aldrig.
- l) Sørg for hele tiden at holde balancen.
- m) Rør ikke ved de farlige, bevægelige dele før maskinen er afbrudt fra strømmen, og de bevægelige, farlige dele er stoppet med at bevæge sig.
- b) Benyt kun producentens anbefalede reservedele og tilbehør.
- c) Inspicer og vedligehold maskinen regulært. Få maskinen repareret af en autoriseret mekaniker.
- d) Når redskabet ikke bruges, skal det opbevares uden for børns rækkevidde.

## **BATTERISIKKERHED SIKKERHEDSFORSKRIFTER TIL BATTERISÆT**

- a) Sekundærelementer eller batterisæt må ikke skilles ad, åbnes eller knuses.**
- b) Et batterisæt må ikke kortslyttes. Batterisæt må ikke opbevares lemfældigt i en kasse eller skuffe, hvor de kan kortslutte hinanden eller kortslyttes af ledende genstande.** Når batterisættet ikke er i brug, skal det holdes væk fra andre metalgenstande, såsom papirclips, mønter, nøgler, søm, skruer eller andre små metalgenstande, der kan skabe en forbindelse fra en pol til en anden, Kortslutning af batteripoler kan medføre forbrændinger eller brand.
- c) Batterisæt må ikke**

## **4. Vedligeholdelse og opbevaring**

- a) Afbryd maskinen fra strømforsyningen (fjern f.eks. stikket fra maskinen) før der udføres vedligeholdelsesarbejde eller rengøring af maskinen.



- udsættes for varme eller ild. Må ikke opbevares i direkte sollys.
- d) Batterisæt må ikke udsættes for mekaniske stød.
  - e) I tilfælde af at et batteri lækker, må væsken ikke komme i kontakt med huden eller øjne. Hvis der er sket kontakt, skal det berørte område vaskes med rigelige mængder vand, hvorefter der søges lægehjælp.
  - f) Søg straks lægehjælp, hvis et element eller batterisæt er nedsvælget.
  - g) Opbevar batterisæt på et rent og tørt sted.
  - h) Aftør batterisættets poler med en tør klud, hvis de bliver snavsede.
  - i) Batterisæt skal oplades før anvendelsen. Anvend altid den korrekte oplader, og læs producentens anvisninger eller brugervejledning for, hvordan batterierne oplades korrekt.
  - j) Et batterisæt må ikke efterlades til opladning i længere tid, hvis det ikke anvendes.
  - k) Efter længere opbevaringsperioder kan det være nødvendigt at oplade eller aflade batterisættet flere gange for at opnå den optimale ydelse.
  - l) Batterisæt yder mest optimalt, når de anvendes ved normal stuetemperatur ( $20\text{ °C} \pm 5\text{ °C}$ ).
  - m) Ved bortskaffelse af batterisæt, skal batterisæt af forskellige elektrokemiske systemer holdes adskilte fra hinanden.
  - n) Genoplad kun med laderen specificeret af Worx. Anvend ingen anden oplader end den, der specifikt er beregnet til brug med udstyret. En oplader, der passer til en type batterisæt kan skabe risiko for brand ved brug med et andet batterisæt.
  - o) Brug kun det korrekte batteri til udstyret.
  - p) Batterisættet skal opbevares utilgængeligt for børn.
  - q) Opbevar den originale produktliteratur til fremtidig brug.
  - r) Batterisættet skal fjernes

fra udstyret, når det ikke er i brug.

- s) Bortskaffes på en miljørigtig måde.
- t) Bland ikke batterier af forskellig fremstilling, kapacitet, størrelse eller type i enheden.
- u) Tag ikke batteriet ud af originalemballagen, før det er nødvendigt.
- v) Vær opmærksom på plus (+) og minus (-) mærkerne på batteriet for at sikre korrekt brug.

## SYMBOLER

	Læs brugsanvisningen
	Holdts tilskuere væk
	Bær øjenbeskyttelse og høreværn
	Må ikke udsættes for regn
	Affald af elektriske produkter må ikke bortskaffes sammen med husholdningsaffald. Indlever så vidt muligt produktet til genbrug. Kontakt de lokale myndigheder eller forhandleren, hvis du er i tvivl.

 <p>Li-Ion</p> 	Li-Ion-batteri Dette produkt er mærket med et "separat indsamling" -symbol til alle batterier og batteripakker. Genanvend derefter eller fjern det for at reducere påvirkningen på miljøet. Batteripakken indeholder skadelige stoffer, der kan være skadelige for miljøet og menneskers sundhed.
	Hvis det ikke håndteres korrekt, kan batteriet muligvis komme ind i vandcyklussen, hvilket kan forårsage skade på økosystemet. Bortskaf ikke brugte batterier som usorteret kommunalt affald.
	Må ikke brændes
	Repræsentant for Akku-græstrimmer
	Fjern batteriet fra holderen før udførelse af justeringer, eftersyn eller vedligeholdelse.
	Trimning
	Lås
	Lås op
	Korrekt
	Forkert

## AGGREGATELEMENTER

1. BATTERIPAKKE \*
2. TÆND/SLUK-KNAP
3. ØVRE AKSEL

<b>4. KNOP TIL AT JUSTERE HÅNDTAGET</b>
<b>5. NEDRE AKSEL</b>
<b>6. SIKKERHEDSSKÆRM</b>
<b>7. KNAK TIL SNOR</b>
<b>8. LINE SKÆR</b>
<b>9. EKSTRA HÅNDTAG</b>
<b>10. LÅSEKNAP</b>
<b>11. BATTERIINDIKATORLYS</b>
<b>12. SKÆREHOVED (SE FIG..I)</b>
<b>13. SPOLELÅG (SE FIG. J)</b>
<b>14. SKÆREHOVED-FRIGØRER (SE FIG. J)</b>
<b>15. SPOLE (SE FIG. J)</b>
<b>16. ØJE (SE FIG. J)</b>

\* Illustreret eller beskrevet tilbehør er kun delvis indeholdt i leverancen.

## TECHNICAL DATA

Type **WG183E WG183E.9** (1 betegnelse af maskineri, repræsenteret ved Ledningsfri græstrimmer)

	<b>WG183E</b>	<b>WG183E.9</b>
Spænding	40 V $\text{---}$ MAX (2x20 V MAX) **	
Hastighed uden belastning	6800 /min	
Skærediameter	33 cm	
Tråddiameter	1.65 mm	
Længde af skæretråd	5 m (To udgange)	
Batteritype	Lithium-ion	/
Batterimodel	WA3551.1(2.0 Ah)	/
Opladermodel	WA3772	/
Mærkekapacitet på opladeren	Indgang: 100-240 V~50/60 Hz, 50 W Udgang 1: 20V $\text{---}$ , 2.0 A*** Udgang 2: 20V $\text{---}$ , 2.0 A***	/

Opladningstid (Omkring) Batteripakke: 2.0 Ah (1 pc) 2.0 Ah (2 pcs)	65 mins 130 mins	/
Maskinens vægt	2.9 kg	2.2 kg

\*\* Spænding målt uden belastning. Indledende batterispænding når højest 20 volt. Nominel spænding er 18 volt.

\*\*\* Oplader 1 og udgang 2 betyder to porte med samme udgangsspænding og strøm.


## TILBEHØR

	<b>WG183E</b>	<b>WG183E.9</b>
Batteripakke (WA3551.1)	2	/
Oplader (WA3772)	1	/
Spole (WA0007)	1	1
Spolelåg (WA0216)	1	1
Sikkerhedsskærm	1	1
Ekstra håndtag	1	1

Det anbefales, at alt udstyr købes i samme butik som maskinen. Vælg typen afhængigt af det arbejde, du vil foretage. Se på emballagen til tilbehøret for at få yderligere oplysninger. Få hjælp og råd i butikken.

75

## STØJINFORMATION

A-vægtet lydtrykniveau	$L_{pA} = 75.8 \text{ dB(A)}$
$K_{pA}$	3.0 dB(A)
A-vægtet lydeffektniveau	$L_{WA} = 90.2 \text{ dB(A)}$
$K_{WA}$	3.0 dB(A)
<b>Bær høreværn.</b>	

## VIBRATIONSinFORMATION

Typisk vægtet vibration	$a_h < 2.5 \text{ m/s}^2$
Usikkerhed	$K = 1.5 \text{ m/s}^2$

Den erklærede samlede vibrationsstyrke kan bruges til at sammenligne et værktøj med et andet, og kan også bruges til en foreløbig vurdering af eksponeringen.

**⚠ ADVARSEL:** Vibrationsværdien under den faktiske brug af maskinværktøjet kan afvige fra den opgivne værdi afhængigt af måderne, værktøjet benyttes på. Se følgende eksempler på, hvad vibrationerne kan afhænge af:

Hvordan værktøjet bruges og materialerne, der skæres eller bores i.

Værktøjets stand og vedligeholdelse.

Anvendelse af korrekt tilbehør og kontrol med, at det er skarpt og i en i det hele taget god tilstand.

Hvor kraftigt, der holdes fast i håndtaget og, om der benyttes antivibrationsudstyr.

Om værktøjet anvendes i henhold til dets konstruktion og nærværende anvisninger.

**Værktøjet kan medføre et hånd/arm-vibrationssyndrom, hvis det ikke bruges på rigtig måde.**

**⚠ ADVARSEL:** En vurdering af udsættelsesgraden under det aktuelle brug skal omfatte alle dele af arbejds cyklussen, herunder antallet af gange værktøjet slås til og fra, og tomgangsdriften uden for selve arbejdsopgaven. Dette kan afgørende reducere udsættelsesniveauet i den samlede arbejdsperiode. Sådan kan du minimere risikoen for udsættelse for vibrationer:  
 Brug ALTID skarpe mejsler, bor og blade.  
 Vedligehold værktøjet i overensstemmelse med disse instruktioner og hold det korrekt smurt (hvor det er nødvendigt).  
 Hvis værktøjet bruges ofte, bør du anskaffe antivibrationsudstyr.  
 Planlæg dit arbejde, så du kan fordele arbejde med kraftige vibrationer over flere dage.

## SAMLING OG BETJENINGS

HANDLING	FIGUR
<b>SAMLING</b>	
Sådan samles trimmerskaftet	Se Fig. A
Sådan samles hjælpehåndtaget	Se Fig. B
Montering af beskyttelsesskærm	Se Fig. C
Sådan fjernes eller sættes batterienheden <b>BEMÆRK:</b> <b>• Denne maskine vil kun virke når begge batterier er installeret. Brug altid de samme to batterier og oplad begge batterier samtidigt.</b> <b>• Når du bruger to batterier med forskellig strøm, går maskinen kun til den laveste fællesnævner.</b>	Se Fig. D1,D2

Oplad batteriet <b>BEMÆRK:</b> <b>• Batteripakken leveres uopladet. Batteriet skal være helt opladet før første brug.</b> <b>• Oplad altid begge batterier fuldstændigt og samtidigt. Flere detaljer kan findes i manualen.</b>	Se Fig. D3
Batteristrømindikator på maskinen Se detaljer i BATTERI STATUS afsnittet	Se Fig. D4
<b>BETJENINGS</b>	
Tænd/Sluk-Knap <b>⚠ ADVARSEL!</b> Skærehovedet fortsætter med at rotere, efter at der er slukket for trimmeren. Læg ikke redskabet fra dig, før det er stoppet.	Se Fig. E
Trimning	Se Fig. F
- Indstilling af ekstra håndtag	Se Fig. G
For at manuelt føde line	Se Fig. H
Fjernelse af dækslet	Se Fig. I
Skærehoved	Se Fig. J
Sådan Skiftes Trådspolen	Se Fig. K,L
Sådan spoles tråden manuelt	Se Fig. M, N,O,P

### BATTERIETS STATUSLAMPE (Se Fig. D4)

Før start eller efter brug trykkes knappen ved siden af batteri-indikatorlampen, for at kontrollere batterikapaciteten. Under drift indikeres batterikapaciteten automatisk af batteristrømindikatoren. Lamperne overvåger og viser hele tiden batteritilstanden som følger.  
 Ved maskinen med 2 batterier med forskellig opladning viser indikatorlampen den batteritilstand med den laveste batteriopladning.

Batteriindikator status	Batteritilstand
Fem grønne lamper (■ ■ ■ ■ ■) lyser.	De to batterier er fuldt opladet.
To, tre eller fire lamper lyser.	De to batterier er ikke fuldt opladet. Desto flere lamper der lyser, desto bedre batterikapacitet.
Kun en lampe (■ □ □ □ □) lyser.	Mindst et batteri er fladt og skal oplades.

Ingen lamper lyser.	Mindst et batteri er ikke korrekt installeret, eller batteriet er defekt.
Kun en lampe blinker 2 gange pr. cyklus.	Mindst et batteri er overopladet (se betingelser for batteriopladning). Genoplad de to batterier inden brug eller opbevaring.
En lampe blinker 3 gange pr. cyklus.	Mindst et batteri er varmt, vent til de er kølet ned, før du starter igen.
En lampe blinker 4 gange pr. cyklus.	Maskinen er overbelastet. Fjern værktøjet fra skæreamrådet, og prøv igen.

## BETJENINGSVEJLEDNING



**ADVARSEL!** Oplader og batterienhed er specielt beregnet til at blive brugt sammen. Brug ikke andre batterienheder eller opladere. Sæt aldrig metalgenstande ind i opladeren eller batterienheden. Dette kan føre til elektrisk fejl, der kan medføre fare.

### 1. Automatisk linefødningsystem

Når du første gang tænder for trimmeren vil der blive ført et lille stykke line ud.

En "raslende" lyd vil høres når linen når line skæret. Det er normalt og skyldes, at tråden klippes af trådkniven. Når tråden er skåret i den korrekte længde, ophører den klaprende lyd, og trimmermotoren kører med fuld hastighed.

For at føre mere line ud, tillad trimmeren at stoppe fuldstændigt, derefter genstartes, og tillad at motoren når fuld hastighed. Gentag det overfor beskrevne indtil du hører linen slå mod line skæret (Gentag ikke denne procedure mere end 6 gange).

### 2. For at manuelt føde line (Se Fig. H)

Tryk og frigør fremføringsknappen, mens én af trådene trækkes forsigtigt ud, indtil den når trådkniven. Når der er ført tilstrækkelig med tråd ud, trækkes der forsigtigt i den anden tråd (Det er ikke nødvendigt at trykke på fremføringsknappen igen). Hvis tråden rækker ud over trådkniven, er der trukket for meget tråd ud. Hvis der trækkes for meget tråd ud, fjernes spolekappen, og spolen klikkes mod uret, indtil tråden har fået den ønskede længde.

### Fjernelse af dækslet (Se Fig. I)

Tryk og hold på de to paler. Træk dækslet til klippehovedet væk fra klippehovedet. Hold både dækslet til klippehovedet og det indvendige på klippehovedet rene for snavs. Klippehovedet sættes tilbage på plads ved at trykke det fast på spoleholderen. For nemheds skyld anbefales det at købe spole og snor samlet.

### Sådan Skiftes Trådspolen (Se Fig. K, L)

Tag først hættan af, og fjern den gamle spole. Sæt den nye spole på klippehovedet. Før én tråd gennem øjet, og gentag det derefter med den anden tråd. (Se Fig. L). Gentag med den anden snor. Sæt dækslet på igen.



**Advarsel!** Trimmeren er udelukkende beregnet til

snor med en maksimal diameter på 1.65mm. Der må kun anvendes nylontråd.

**VIGTIGT** – Spol altid først snoren op på den øverste del af spolen.

### 3. SÅDAN SPOLES TRÅDEN MANUELT (Se Fig. M, N, O, P)

Tag ca. 5 meter snor. Anbring 15 mm snor i et af de to huller i den øvre del af spolen og vind snoren i pilens retning øverst på spolen. Gentag fremgangsmåden med et separat stykke tråd på den nedre del af spolen.

Lad ca. 100 mm snor være uvundet og anbring den i klampen. Gentag for spolens nedre del.

Vær omhyggelig med at vinde snoren pænt om spolen. I modsat fald kan det hæmme den automatiske fødnings af snor.

Anbring herefter spolen som beskrevet under "Tilpasning af spole og snor".

## LAGRING AF DIN GRÆSTRIMMER



**Fjern altid batteriet fra din trimmer efter brug.**

### Opbevaring af din græstrimmer

Trimmeren er udstyret med en rille til at opbevare trimmeren på væggen. (Se Fig. Q)

Opbevar på et tørt sted, hvor trimmeren kan være beskyttet mod beskadigelser.

## VEDLIGEHOLDELSE



**Fjern altid batteriet fra din trimmer efter brug.**

### Kontroller altid produktet for eventuelle skader inden det benyttes

Efter brug tages batteriet ud af værktøjet og kontrolleres for beskadigelse.

Denne bore-/skruemaskine kræver ikke særlig smøring eller vedligeholdelse. Bore-/skruemaskinen må kun serviceres og repareres i et professionelt værksted. Brug aldrig vand eller kemiske rengøringsmidler til rengøring. Må kun rengøres med en tør klud. Opbevares på et tørt sted. Hold motorens ventilationsåbninger rene. Knapperne o.l. skal være rene og frie for støv.

## MILJØBESKYTTELSE



Affald af elektriske produkter må ikke bortskaffes sammen med husholdningsaffald. Indlever så vidt muligt produktet til genbrug. Kontakt de lokale myndigheder eller forhandleren, hvis du er i tvivl.

## FEJLFINDING

Følgende skema indeholder mulige problemer og handlinger, som du kan lave hvis dit værktøj ikke virker ordentligt.



**ADVARSEL:** Sluk for værktøjet og tag batteriet ud, før du begynder at lede efter fejlen.

Problem	Mulig årsag	Mulig løsning
Trimmeren vil ikke starte.	Batteriet er fladt.  Batteriet er for varmt/koldt. Motor er gået i stykker. Kablerne inden i værktøjet er gået i stykker.	Genoplad batteriet.; se også indholdet i opladermanualen. Lad batteriet køle ned/varme op. Kontakt din forhandler. Kontakt din forhandler.
Trimmeren går ind i mellem i gang	Motoren er gået i stykker. Batteriet er ikke ladet op. Tænd/sluk-knappen er gået i stykker.	Kontakt din forhandler. Genoplad batteriet. Kontakt din forhandler.
Mange vibrationer/meget støj.	Defekt værktøj. Linen er ikke viklet ordentligt ind.	Kontakt din forhandler. Rul linen ind igen. Se " Sådan spoles tråden manuelt '.
Køretid pr. batteriopladning er for kort.	Batteriet har ikke været brugt i længere tid, eller er kun blevet opladet i kort tid. Græsset er for højt. Defekt batteri.	Genoplad batteriet; se også indholdet i opladermanualen.  Klip i små trin. Sæt batteriet i igen.
Værktøjet klipper ikke.	Linen er ødelagt. Batteriet er ikke opladet helt.  Motoren er gået i stykker (hastigheden er for langsom). Græs sidder fast rundt om klippehovedet.	Sæt en ny line i. Genoplad batteriet. Se også "SÅDAN OPLADES BATTERIET ". Kontakt din forhandler.  Fjern græsset.
Batteriopladningsindikatoren lyser konstant. Ikke muligt at oplade batteriet.	Batteriet er ikke sat (ordentligt) i. Batterikontakterne er forurenede. Ødelagt batteri.	Sæt batteriet ordentligt i batteriopladeren. Rengør batterikontakterne, eller skift batteriet ud. Skift batteriet.
Batteriopladningsindikatoren begynder ikke at lyse.	Stikket til batteriopladeren er ikke sat (ordentligt) i. Ødelagt stikkontakt, ledning eller batterioplader.	Sæt stikket (helt) ind i stikkontakten.  Tjek spændingen i stikkontakten. Få batteriopladerne set efter på et godkendt eftersalgscener.
Auto-fødning virker ikke	Linen er ikke viklet ordentligt ind. Linen er viklet ind.  Linen er brugt op.	Fød linen manuelt. Hvis linen stadig ikke fødes ud, skal du tage spolen ud og rul linen op igen. Sæt en ny spole line i.

## KONFORMITETSERKLÆRING

Vi,  
Positec Germany GmbH  
Grüner Weg 10, 50825 Cologne, Germany

Erklærer herved, at produktet  
Beskrivelse **Ledningsfri græsstrimmer**  
Type **WG183E WG183E.9 (1 betegnelse af maskineri, repræsenteret ved Ledningsfri græsstrimmer)**  
Funktioner **græsslåning og lignende blød plantevækst og til trimning af græskanter**

Er i overensstemmelse med følgende direktiver:  
**2006/42/EC, 2014/30/EU, 2011/65/EU & (EU)2015/863, 2000/14/EC ændret ved 2005/88/EC**

2000/14/EC ændret ved 2005/88/EC:  
- Konformitetstestprocedure pr **Anneks VI**  
- Målt niveau for lyd effekt **90.2 dB (A)**  
- Deklareret garanteret niveau for lyd effekt **94 dB (A)**

Standarder i overensstemmelse med  
**Navn: ISET S.r.l. Unipersonale**  
**Adresse: Sede Legale e Uffici Via Donatori di sangue,9 – 46024 Moglia (MN)**


Standarder i overensstemmelse med  
**EN 60335-1, EN 50636-2-91, EN 62233, EN ISO 3744, EN 55014-1, EN 55014-2**

Personen, autoriseret til at udarbejde den tekniske fil,  
**Navn Marcel Filz**  
**Adresse Positec Germany GmbH**  
**Grüner Weg 10, 50825 Cologne, Germany**



2020/07/28  
Allen Ding  
Vicechef; Ingeniør, Test & Certificering  
Positec Technology (China) Co., Ltd  
18, Dongwang Road, Suzhou Industrial  
Park, Jiangsu 215123, P. R. China

## PRODUKTSIKKERHET GENERELLE SIKKERHETSADVARSLER

 **ADVARSEL! Les alle instruksjoner.** Hvis du unnlater å følge instruksjonene under, kan det resultere i elektrisk støt, brann og/eller alvorlig skade.

**Ta vare på alle advarsler og veiledninger for fremtidig referanse.**

Dette produktet må bare benyttes med den medfølgende strømkilden.

## VIKTIG LES OMHYGGELEG FØR BRUK BEHOLDNES FOR SENERE BRUK

### Sikker driftspraksis

#### 1. Opplæring

- Les anvisningene grundig. Bli kjent med kontrollene og bruken av maskinen.
- La aldri barn, personer med reduserte fysiske, sensoriske eller mentale evner eller mangel på erfaring og kunnskap, eller personer som ikke kjenner til disse instruksjonene bruke maskinen, lokale bestemmelser kan sette grenser for alder på operatør.
- Operatøren eller brukeren

er ansvarlig for ulykker eller farer som inntreffer i forhold til andre personer eller eiendommer.

## **2. Forberedelser**

- a) Før bruk må maskinen alltid inspiseres for skadde, manglende eller forlagte vern eller skjermer.
- b) Ikke bruk maskinen når spesielt barn eller husdyr er i nærheten.

## **3. Drift**

- a) Bruk øyevern, lange bukser og kraftig sko til enhver tid når maskinen brukes.
- b) Unngå å bruke maskinen i dårlig vær, spesielt når det er risiko for lyn.
- c) Bruk maskinen kun i dagslys eller ved god kunstig belysning.
- d) Bruk aldri maskinen med skadde vern eller skjermer, eller uten vern eller skjermer på plass.
- e) Slå på motoren kun når hender og føtter er vekk fra kuttemidlene.
- f) Koble alltid maskinen fra strømforsyningen (f.eks. dra pluggen ut av kontakten)
  - 1) når maskinen forlates uten tilsyn;
  - 2) før du fjerner en blokkering;

- 3) før du skal sjekke, rengjøre eller arbeide på maskinen;
- 4) etter at du har kjørt på et fremmedlegeme.;
- 5) når maskinen begynner å vibrere unormalt.
- g) Unngå skader på føtter og hender fra kuttemidlene.
- h) Forsikre at ventilasjonsåpninger aldri er tildekket av rester.
- i) Aldri bruk skjæreelementer av metall.
- j) Pass alltid på at du står støtt i skråninger.
- k) Gå, løp aldri.
- l) Ikke forstrekk deg, og hold balansen hele tiden.
- m) Ikke berør bevegelige farlige deler før maskinen er koblet fra strømforsyningen, og bevegelige farlige deler har stoppet helt opp.

## **4. Vedlikehold og lagring**

- a) Koble maskinen fra strømforsyningen (f.eks. fjern pluggen fra kontakten) før utføring av vedlikehold eller rengjøringsarbeide.
- b) Bruk kun produsentens anbefalte reservedeler og tilbehør.
- c) Undersøk og vedlikehold maskinen jevnlig. Maskinen må kun repareres av en



autorisert reparatør.

- d) Når den ikke er i bruk, bør den oppbevares utilgjengelig for barn.

## **BATTERISIKKERHET SIKKERHETSANVISNINGER FOR BATTERIPAKKE**

- a) **Ikke demonter, åpne eller riv opp sekundære celler eller batteripakker.**
- b) **Ikke kortslutt en celle eller en batteripakke. Ikke oppbevar celler eller batteripakke løst i en boks eller skuff hvor de kan kortslutte hverandre eller bli kortsluttet av andre metallgjenstander.** Når batteripakken ikke er i bruk skal den holdes adskilt fra andre metallgjenstander som binders, mynter, nøkler, spiker, skruer eller andre små metallobjekter. Kortslutning av batteriet kan forårsake skader eller brann.
- c) **Ikke utsett celler eller batteripakke for varme eller ild. Unngå oppbevaring i direkte sollys.**
- d) **Ikke utsett celler eller batteripakke for mekanisk støt.**

- e) **Hvis du opplever cellelekkasje, ikke la væsken komme i kontakt med huden eller øynene. Dersom kontakt har oppstått, vask området med rikelige mengder vann og oppsøk medisinsk hjelp.**
- f) **Søk medisinsk hjelp umiddelbart hvis en celle eller batteripakke har blitt svelget.**
- g) **Hold batteripakken ren og tørr.**
- h) **Tørk batteripakkekontaktene med en ren, tørr klut hvis de blir skitne.**
- i) **Batteripakken må lades før bruk. Bruk denne instruksjonen og korrekt ladeprosedyre.**
- j) **Ikke ha batteripakken til ladning når den ikke er i bruk.**
- k) **Etter en lang lagringsperiode kan det være nødvendig å lade og utlade batteripakken flere ganger for å oppnå maksimal ytelse.**
- l) **Batteripakken gir best ytelse når den oppbevares i normal romtemperatur (20 °C ± 5 °C).**

**m) Når du kaster en batteripakke, hold batterier fra forskjellige elektrokjemiske systemer adskilt fra hverandre.**

**n) Bruk kun batterilader spesifisert av Worx. Bruk ikke andre ladere enn de som er levert for bruk med utstyret.** En type lader som er egnet for en type batteripakke kan skape brannfare hvis den brukes med en annen type batterier.

**o) Tikke bruk batteripakker som ikke er beregnet for bruk sammen med utstyret.**

**p) Hold batteripakken utenfor barns rekkevidde.**

**q) Ta vare på den originale bruksanvisningen for fremtidig bruk.**

**r) Ta ut batteriene fra utstyret når det ikke er i bruk**

**s) Kvitt deg med produktet på forsvarlig måte.**

**t) Ikke bland batterier av forskjellig produksjon, kapasitet, størrelse eller type i enheten.**

**u) Ikke fjern batteripakken fra originalemballasjen før den trengs.**

**v) Vær oppmerksom på pluss**

**(+) og minus (-) merkene på batteriet for å sikre riktig bruk.**

## SYMBOLER

	Les manualen
	Hold tilskuere på avstand
	Bruk øye- og hørselsvern
	Må ikke utsettes for regn
	Avfall etter elektriske produkter må ikke legges sammen med husholdningsavfall. Vennligst resirkuler avfallet der dette finnes. Undersøk hos de lokale myndighetene eller en detaljist for resirkuleringsråd.
 Li-Ion	Litium-ion-batterier Dette produktet er merket med symboler tilknyttet "separat samling" av alle batteripakker og batteripakker. Du kan deretter resirkulere eller fjerne den for å redusere påvirkningen på miljøet. Batteripakken inneholder skadelige stoffer som kan være skadelige for miljøet og menneskers helse.
	
	Hvis det ikke håndteres riktig, kan batteriet komme inn i vannsyklusen, noe som kan forårsake skade på økosystemet. Ikke kast brukte batterier som usortert kommunalt avfall.

	Ikke brenn
	Bruk vernehansker
	Fjern batteriet fra strømtilkoblingen før du utfører noen justeringer, service eller vedlikehold.
	Klipping
	Lås
	Lås opp
	Korrekt
	Ikke korrekt

## APPARATELEMENTER

<b>1. BATTERIPAKKE *</b>
<b>2. PÅ/AV-KNAPP</b>
<b>3. ØVRE SKAFT</b>
<b>4. HÅNDTAKSJUSTERINGSKNAPP</b>
<b>5. NEDRE AKSEL</b>
<b>6. SIKKERHETSVERN</b>
<b>7. TRÅDMATING KNAPP</b>
<b>8. LINJEKLIPPER</b>
<b>9. HJELPEHÅNDTAK</b>
<b>10. AVLÅSNINGS KNAPP</b>
<b>11. INDIKATORLAMPE BATTERI</b>
<b>12. KLIPPERHODE (SE FIG. I)</b>

- |  |
|--|
| <b>13. SPOLEHETTE (SE FIG. J)</b>            |
| <b>14. UTLØSERKNAPP FOR LOKK (SE FIG. J)</b> |
| <b>15. SPOLE (SE FIG. J)</b>                 |
| <b>16. TRÅDHUL (SE FIG. J)</b>               |

\* Ikke alt illustrert eller beskrevet tilbehør inngår i leveransen.

## TEKNISKE DATA

Type: **WG183E WG183E.9 (1-betegnelse av maskiner, representant for ledningsfri gresstrimmer)**

	WG183E	WG183E.9
Spenning	40 V $\approx$ MAX (2x20 V MAX) **	
Nominell Tomgangshastighet	6800 /min	
Skjærediameter	33 cm	
Snordiameter	1.65 mm	
Langde på kuttesnoren	5 m (dobbel utgang)	
Batteri type	Litium	/
Batterimodell	WA3551.1(2.0 Ah)	/
Lade Modell	WA3772	/
Lade vurdering	Inngang: 100-240 V~50/60 Hz, 50 W Utgang 1: 20V $\approx$ , 2.0A*** Utgang 2: 20V $\approx$ , 2.0A***	/
Ladetid (Omtrent) Batteripakke: 2.0Ah (1pc) 2.0Ah (2pcs)	65 mins 130 mins	/
Maskinens vekt	2.9 kg	2.2 kg

\*\*Spenning målt uten belastning. Batterispenningen er 20 V til å begynne med. Nominell spenning er 18 V.

\*\*\* Ladeutgang 1 og utgang 2 betyr to utganger med samme utgangsspenning og strømstyrke.

## TILLEGGSTUTYR

	WG183E	WG183E.9
--	--------	----------

Batteripakke (WA3551.1)	2	/
Lader (WA3772)	1	/
Spole (WA0007)	1	1
Spolehette (WA0216)	1	1
Sikkerhetsvern	1	1
Hjelpehåndtak	1	1

Vi anbefaler at du kjøper alt ekstrautstyr fra butikken der du kjøpte dette verktøyet. Velg kvalitet i henhold til det arbeidet du akter å gå i gang med. Les på tilbehørspakningen for videre detaljer. Butikkpersonalet kan også gi hjelp og råd.

## STØYINFORMASJON

Belastning lydtrykk  $L_{pA} = 75.8 \text{ dB(A)}$

$K_{pA} = 3.0 \text{ dB(A)}$

Belastning lydeffekt  $L_{WA} = 90.2 \text{ dB(A)}$

$K_{WA} = 3.0 \text{ dB(A)}$

### Bruk hørselsvern.



## VIBRASJONS INFORMASJON

Vanlig belastningsvibrasjon  $a_n < 2.5 \text{ m/s}^2$

Usikkerhet  $K = 1.5 \text{ m/s}^2$

Den oppgitte verdien for samlet vibrasjon kan brukes til å sammenligne verktøy og til å foreta en foreløpig vurdering av eksponering.

**⚠ ADVARSEL:** Vibrasjonsutslippsverdien under faktisk bruk av verktøyet kan avvike fra oppgitt verdi, avhengig av måten verktøyet brukes på og følgende eksempler og andre variasjoner i hvordan verktøyet brukes:  
Hvordan verktøyet brukes og hvilke materialene som blir kuttet eller drillt.

Verktøyet er i god stand og godt vedlikeholdt.  
Bruk av riktig tilbehør for verktøyet, og sørg for at det er skarpt og i god stand.

Hvor stramt grepet på håndtakene er, og om det brukes antivibrasjonstilbehør.

Og at verktøyet blir brukt til det formålet det er tilsiktet i henhold til designet og disse instruksjonene.

**Dette verktøyet kan forårsake hånd-arm vibrasjonssyndrom, hvis det ikke brukes riktig.**

**⚠ ADVARSEL:** For å være nøyaktig, bør også et overslag over eksponeringsnivå under faktiske

bruksforhold også tas med i betraktning i alle deler av driftssyklusen, slik som når verktøyet er skrudd av og når det går på tomgang, men ikke faktisk gjør jobben. Dette kan redusere eksponeringsnivået betraktelig over hele arbeidsperioden.

For å hjelpe til å minimere risikoen for vibrasjonseksponering.

Bruk ALLTID skarpe meisler, driller og blad.

Vedlikehold verktøyet i henhold til disse instruksjonene og sørg for at det er godt smurt (der det er hensiktsmessig).

Hvis verktøyet skal brukes regelmessig, invester i antivibrasjonstilbehør.

Planlegg arbeidstidsplassen din slik at du sprer bruk av høyvibrasjonsverktøy utover flere dager.

## MONTERING OG BRUK

HANDLING	FIGUR
<b>MONTERING</b>	
Montering av trimmerskaft	Se Fig. A
Montering av hjelpehåndtak	Se Fig. B
Tilpassing av beskyttelseskappe	Se Fig. C
Fjerning eller installering av batteripakke <b>MERK:</b> • Denne gressklipperen vil bare fungere med 2 batterier installert. Bruk alltid de samme to batteriene og lad to batterier samtidig. • Når du anvender två batterier med olika strømstyrkor, kommer maskinen bara att köpa tilsli den lägre gemensamma nämnaren nås.	Se Fig. D1,D2
Lading av batteripakken <b>MERK:</b> • Batteripakken leveres uladet. Batteriet må lades opp helt før første klipp. • Lad alltid de to batteriene samtidig. Mer detaljer finnes i håndboken.	Se Fig. D3
Batteristrømindikator på maskinen Se detaljer i delen BATTERISTATUS	Se Fig. D4
<b>BRUK</b>	
På/Av-Knapp <b>⚠ ADVARSEL!</b> Skjørehodet fortsetter å gå rundt etter at trimmeren er slått av. Vent til det har stanset før du legger ned redskapet.	Se Fig. E
Klipping	Se Fig. F
- Justering av hjelpehåndtaket	Se Fig. G

Å fylle på tråd manuelt	Se Fig. H
Å FJERNE LOKKET	Se Fig.I
Klipperhode	Se Fig. J
BYTTE TRÅDSPOLEN	Se Fig.K,L
Snurre opp tråden manuelt	Se Fig.M, N,O,P

### BATTERISTATUS (Se Fig.D4)


Trykk på knappen ved siden av strømindikatorlampen på maskinen før du starter eller etter bruk for å kontrollere batterikapasiteten. Når klipperen er i bruk, vil batterikapasiteten angis automatisk av batteriindikatoren.

LED's konstante sanser og viser batteri tilstand som følgende.

For maskiner med 2 batteripakker med forskjellig ladenivå, viser strømindikatorlampen batteriets tilstand til det laveste av de to batteriene.

Indikator for batteristatus	Batteritilstand
Fem grønne lamper (■ ■ ■ ■ ■) lyser.	De to batteriene er fulladet.
To, tre eller fire grønne lamper lyser.	De to batteriene har noe energi igjen. Jo flere lamper som lyser, jo mer batterikapasitet er igjen.
Bare én grønn lampe (■ □ □ □ □) lyser.	Minst ett av batteriene flatt og må lades.
Ingen lampe lyser.	Minst ett batteri er ikke riktig satt inn, eller batteriet er defekt.
Bare ett lys blinker to ganger pr. syklus.	Minst ett batteri er flatt (se batteritilstand), lad opp de to batteriene straks før ny bruk eller oppbevaring.
Bare ett lys blinker tre ganger pr. syklus.	Minst ett batteri er varmt, vent på at batteriene er avkjølt før du starter igjen.
Bare ett lys blinker fire ganger pr. syklus.	Maskinen er overbelastet. Fjern verktøyet fra skjæresnittet og prøv igjen.

## BRUKSVEILEDNING

 **ADVARSEL!** Laderen og batteripakken er spesifikt laget for å brukes sammen. Ikke bruk andre batteripakker eller ladere. La aldri metallgjenstander komme inn i laderen eller batteripakken. Dette kan føre til en elektrisk feil som kan være farlig.

### 1. Automatisk trådforsyningsystem

Første gang man slår på klipperen, blir en liten trådlengde ført ut.

Man kan høre en 'klaprende' lyd når trådene treffer trådkutteren. Dette er normalt og er forårsaket av tråden som kuttes av trådskjæreren. Når tråden er kuttet til riktig lengde, vil den "klaprende støyen" stoppe og trimmermotoren kjøre på full hastighet.

For å få tilført mer tråd, la klipperen stanse opp; sett så i gang en omstart, og la klipperen komme opp i full hastighet. Gjenta den ovenstående inntil du hører trådene som slår mot trådkutteren. (Ikke gjenta denne prosedyren mer enn 6 ganger.)

### 2. Å fylle på tråd manuelt (SE FIG. H)

Trykk og slipp trådmatingsknappen mens du forsiktig trekker ut et av trådene til den når trådskjæreren. Når den riktige mengden med tråd har blitt matet ut, kan du dra forsiktig i den andre tråden (det er ikke nødvendig å trykke trådmatingsknappen inn igjen). Hvis tråden kommer forbi trådskjæreren, har for mye av tråden blitt matet ut.


Hvis for mye tråd mates ut, fjern spolelokket og klikk spolen mot klokken til tråden er i ønsket lengde.

### A FJERNE LOKKET (Se Fig. I)

Trykk og hold de to hakene inn, Trekk skjærehodetlokket av skjærehodet. Hold skjærehodetlokket og innsiden av skjærehodet ren for rusk. For å sette skjærehodet tilbake kan du trykke det godt fast på spoleholderen. Kontroller at lokket sitter fast ved å trekke i det uten å trykke inn de to hakene.

### BYTTE TRÅDSPOLEN (Se Fig. K, L)

Ta først av hetten og fjern den gamle spolen. Sett den nye spolen på skjærehodet. Mat én tråd gjennom trådhullet, og deretter den andre tråden. (Se Fig. L). Gjør det samme med den andre tråden. Sett lokket på igjen.

 **ADVARSEL!** Din trimmer er utformet til bare å kunne bruke tråd som maksimalt har en diameter på 1.65mm. Å SETTE INN NY TRÅD. Bruk kun nylontråd. **VIKTIG** - Snurr alltid tråden på den øverste delen av spolen først.

### 3. SNURRE OPP TRÅDEN MANUELT (SE FIG. M, N, O, P)

Ta omtrent 5 meter tråd. Sett 15mm tråd i et av hullene i den øverste. delen av spolen og snurr tråden i retning av pilene på toppen av spolen.

La omtrent 100mm tråd være utenfor og sett det fast i hakket. Gjør det samme med den nedre delen av spolen. Sørg for at tråden er nøye snurret rundt spolen. Hvis det ikke er tilfelle vil det hindre den automatiske trådmatingen. Sett så spolen tilbake som beskrevet i "Å sette inn en ny spole med tråd".

## OPPBEVARING AV GRESSSTRIMMEREN

 **Fjern alltid batteripakken fra trimmeren etter bruk.**

### Oppbevaring av GRESS-trimmeren

Trimmeren er utstyrt med et hengespør for å oppbevare trimmeren på veggen.I. (Se Fig. Q)

Oppbevares på et tørt sted der trimmeren er beskyttet fra skade.

## VEDLIKEHOLD



**Fjern alltid batteripakken fra trimmeren etter bruk.**

### Sjekk alltid produktet for skade før bruk.

Koble batteriet fra verktøyet etter bruk og sjekk at det ikke er skadet.

Det elektriske verktøyet trenger ikke ytterligere smøring eller vedlikehold. Det er ingen brukernyttige deler i det elektriske verktøyet. Bruk aldri vann eller kjemiske rensedmidler for å rense verktøyet. Tørk av med en tørr klut. Du må alltid lagre verktøyet på en tørr plass. Hold

alltid motorens ventilasjonskanaler rene. Hold alle betjeningskontrollene fri for støv.

## MILJØVERNILTAK



Avfall etter elektriske produkter må ikke legges sammen med husholdningsavfall. Vennligst resirkuler avfallet der dette finnes. Undersøk hos de lokale myndighetene eller en detaljist for resirkuleringsråd.

## FEILSØKING

Følgende tabell viser problemstillinger og handlinger du kan utføre hvis maskinen ikke fungerer normalt.



**ADVARSEL:** Slå av maskinen og fjern batteriet før feilsøking.

Problemer	Mulige årsaker	Feilrettende tiltak
Trimmeren virker ikke.	Batteriet er utladet.  Batteriet er for varmt/kaldt. Motoren er ødelagt. Interne ledninger i maskinen er skadet.	Lad batteriet; Se også innholdet i oppladerinstruksjonen. La batteriet bli kaldere/varmere. Kontakt servicerepresentant.  Kontakt servicerepresentant.
Trimmeren går ujevnt.	Motoren er ødelagt. Batteriet er ikke oppladet. På/av-bryteren er defekt.	Kontakt servicerepresentant. Lad batteriet. Kontakt servicerepresentant.
Overdreven vibrasjon/støy.	Maskinen er defekt. Trådspolen er dårlig surret.	Kontakt servicerepresentant. Surr tråden på nytt. Se «Snurre opp tråden manuelt».
Klippetid per batteriladning for kort.	Batteriet er ikke blitt brukt på lenge eller er ikke ladet opp lenge nok. Gresset er for høyt. Batteriet er defekt.	Lad batteriet helt opp; Se også innholdet i oppladerinstruksjonen. Klipp trinnviss. Bytt batteriet.
Maskinen klipper ikke.	Tråden er ødelagt. Batteriet er ikke oppladet.  Motoren er ødelagt (hastigheten er for lav). Gresset har samlet seg rundt klippehodet.	Bytt tråden. Lad batteriet; Se også innholdet i oppladerinstruksjonen. Kontakt servicerepresentant.  Fjern gress.
Indikatoren for batteriladning lyser hele tiden. Det er ikke mulig å lade batteriet.	Batteriet er ikke (ordentlig) satt inn. Batterikontaktene er skitne.  Batteriet er defekt.	Sett batteri ordentlig inn i batteriladeren. Rengjør batterikontaktene (f.eks ved å sette inn og fjerne batteriet flere ganger) eller bytt ut batteriet. Bytt batteriet.
Indikatoren for batteriladning lyser ikke.	Batteriladeren er ikke (ordentlig) tilkoblet stikkkontakten. Stikkkontakten, strømledningen eller batteriladeren er defekt.	Sett støpslet (helt inn) i stikkkontakten.  Kontroller spenningen i stikkkontakten. Få batteriladeren kontrollert av en autorisert servicerepresentant.
Automatisk mating fungerer ikke	Klippetråden er dårlig surret. Tråden er vaset.  Tråden er brukt opp.	Mat tråden manuelt ut. Hvis tråden ikke kan mates ut, må spolen fjernes og tråden surres på nytt. Bytt trådspolen.

## SAMSVARSERKLÄRING

Vi,  
Positec Germany GmbH  
Grüner Weg 10, 50825 Cologne, Germany

Erklærer at produktet,  
Beskrivelse **Ledningsfri gresstrimmer**  
Type **WG183E WG183E.9 (1-betegnelse av maskiner, representant for ledningsfri gresstrimmer)**  
Funksjoner **Kutting av gress og lignende myk vegetasjon, og for trimming av kanter**

Samsvarer med følgende direktiver,  
**2006/42/EC, 2014/30/EU, 2011/65/EU&(EU)2015/863, 2000/14/EC revidert ved 2005/88/EC**

2000/14/EC revidert ved 2005/88/EC:  
**- Tilpassningsbedømmelse Utført ifølge Annex VI**  
**- Målt Lydkraftniv 90.2 dB (A)**  
**- Erklært Garantert Lydkraftniv 94 dB (A)**

Den notifikerte gruppen involvert  
**Navn: ISET S.r.l. Unipersonale**  
**Adresse: Sede Legale e Uffici Via Donatori di sangue,9 – 46024 Moglia (MN)**

Standardene samsvarer med  
**EN 60335-1, EN 50636-2-91, EN 62233, EN ISO 3744, EN 55014-1, EN 55014-2**

Personen som er autorisert til å utarbeide den tekniske filen,

**Navn Marcel Filz**  
**Adresse Positec Germany GmbH**  
**Grüner Weg 10, 50825 Cologne, Germany**



2020/07/28

Allen Ding

Visesjefsingeniør, Testing og Sertifisering  
Positec Technology (China) Co., Ltd  
18, Dongwang Road, Suzhou Industrial  
Park, Jiangsu 215123, P. R. China

## PRODUCT SAFETY GENERAL SAFETY WARNINGS



**WARNING: Läs igenom alla säkerhetsvarningar och -instruktioner. Läs alla instruktioner.** Följs inte alla nedanstående instruktioner kan det leda till elektriska stötar, brand och/eller allvarliga skador. **Spara alla varningar och instruktioner för framtida bruk.**

Apparaten bör endast användas med det medföljande nätaggregatet.

## VIKTIGT LÄS IGENOM NOGA FÖRE ANVÄNDNING SPARA FÖR KOMMANDE REFERENS

### Säkra driftsmetoder

#### 1. Utbildning

- Läs igenom instruktionerna noggrant. Bekanta dig med kontroller och hur apparaten används korrekt.
- Låt aldrig barn, personer med nedsatt fysisk, sensorisk eller mental förmåga eller brist på erfarenhet och kunskap, eller personer som inte känner till dessa instruktioner, använda maskinen. Lokala föreskrifter kan begränsa operatörens

ålder.

- c) Operatören eller användaren är ansvarig för olyckor eller faror som uppstår för andra personer eller deras egendom.

## 2. Förberedelse

- a) Inspektera alltid maskinen visuellt före användning för att upptäcka om skydd eller sködar är skadade, saknade eller felplacerats
- b) Arbeta aldrig med maskinen medan personer, särskilt barn eller djur finns i närheten.

## 3. Drift

- a) Bär alltid skyddsglasögon, långbyxor och kraftiga skor när du använder maskinen.
- b) Undvik att använda maskinen under dåliga väderförhållanden, särskilt vid risk för blixtnedslag.
- c) Arbeta endast i dagsljus eller i bra artificiellt ljus.
- d) Kör aldrig maskinen med skadade skydd eller sködar eller utan att skydd eller sködar sitter på plats.
- e) Sätt endast igång motorn när händer och fötter är på behörigt avstånd från skärverktygen.
- f) Koppla alltid ur maskinen (dra ut kontakten ur eluttaget)

- 1) så fort maskinen lämnas obevakad;
- 2) innan du rensar en blockering;
- 3) före kontroller, rensning eller arbete på apparaten;
- 4) efter att du kört på ett främmande föremål;
- 5) om maskinen börjar vibrera onormalt.
- g) Akta så att inte händer och fötter skadas på skärverktyget.
- h) Se alltid till att ventilationsöppningarna är fria från skräp.
- i) Montera aldrig trimelement av metall.
- j) Se alltid till att du är stadig på foten i slänter.
- k) Gå spring aldrig.
- l) Översträck inte och håll alltid balansen.
- m) Vidrör inte roterande, farliga delar innan maskinen är bortkopplad från eluttaget och innan de roterande, farliga delarna har stannat helt och hållet.

## 4. Underhåll och förvaring

- a) Koppla ur maskinen (dra ut kontakten ur eluttaget) innan du utför underhåll och rengöringsarbeten.
- b) Använd endast tillverkarens



rekommenderade reservdelar och tillbehör.

- c) Inspektera och underhåll maskinen regelbundet. Maskinen får endast repareras av auktoriserad reparatör.
- d) När den inte används, ska den förvaras utom räckhåll för barn.

## **BATTERISÄKERHET SÄKERHETSFÖRESKRIFTER FÖR BATTERIET**

- a) **Ta inte isär batteriet, öppna inte heller batteriet eller sära på battericeller.**
- b) **Kortslut inte batteriet. Förvara inte batteriet på ett slarvigt sätt i en låda där det kan kortslutas eller skadas av ledande material.** När batteriet inte används, håll det borta från metallobjekt, såsom pappersgem, pengar, nycklar, naglar, skruvar eller andra små metallobjekt som kan leda ström från en terminal till en annan. Om batteriterminalerna kortsluter varandra kan de förorsaka brandrisk.
- c) **Exponera inte batteriet för eld eller värme. Undvik**

- förvaring i direkt solljus.**
- d) **Utsätt inte batteriet för mekanisk chock.**
- e) **Om batteriet läcker, låt inte vätskan komma i kontakt med hud eller ögon. Om så ändå skulle hända, skölj med mycket vatten och sök läkarhjälp.**
- f) **Sök omedelbar läkarhjälp om någon har svält en battericell eller batteriet.**
- g) **Håll batteriet rent och torrt.**
- h) **Torka av batteriet om det blir smutsigt med en torr, ren trasa.**
- i) **Batteriet måste laddas före användning. Använd den här bruksanvisningen för att ladda batteriet korrekt.**
- j) **Låt inte batteriet stå på laddning när det inte används.**
- k) **Efter lång tids användning kan det bli nödvändigt att ladda och ladda ur batteriet många gånger för att nå maximal prestanda.**
- l) **Batterier fungerar bäst när de används vid normal rumstemperatur (20 °C ± 5 °C).**
- m) **När du kasserar batteriet,**

se till att hålla batterier med olika elektrokemiska system ifrån varandra.

**n) Ladda endast med laddare av varumärket Worx.**

**Använd ingen annan laddare än den som specifikt ska användas med det här batteriet.**

En laddare som passar för en viss typ av batteri kan förorsaka brandrisk vid användning tillsammans med ett annat batteri.

**o) Använd inte ett batteri som inte är avsett för användning med det här verktyget.**

**p) Håll batteriet borta från barn.**

**q) Behåll den ursprungliga bruksanvisningen för framtida användning.**

**r) Plocka ur batteriet från verktyget då det inte används.**

**s) Kassera batteriet på rätt sätt.**


**t) Blanda inte celler från olika tillverkning, kapacitet, storlek eller typ inom en enhet.**

**u) Avlägsna inte batteriet från originalförpackningen tills det är nödvändigt för användningen.**

**v) Observera plus (+) och minus (-) märkningen på batteriet och säkerställa korrekt användning.**

## SYMBOLER

	Läs bruksanvisningen
	Håll kringstående undan.
	Bär skyddsglasögon och hörselskydd
	Utsätt inte för regn
	Uttjänade elektriska produkter får inte kasseras som hushållsavfall. Återanvänd där det finns anläggningar för det. Kontakta dina lokala myndigheter eller återförsäljare för återvinningsråd.
	Li-Ion Li-Ion-batteri Denna product har märkts med en symbol för sopsortering för alla batterisatser. De kommer då att återvinnas och plockas isär för att minska påverkan på miljön. Batterisatser kan vara skadliga för miljön och för människors hälsa då de innehåller farliga substanser.
	Batterierna kan komma in i vattnets kretslopp om de inte kasseras korrekt och detta kan vara skadligt för EKO-systemet. Kasta inte batterier i de vanliga sorterade hushållssoporna.

	Får ej uppeldas
	Använd skyddshandskar
	Se till att batteriet tas bort innan byte av tillbehör.
	Trimning
	Lås
	Lås upp
	Rätt
	Fel

## KOMPONENTER

<b>1. BATTERIPAKET *</b>
<b>2. TILL/FRÅN-STRÖMBRYTAREN</b>
<b>3. ÖVRE SKAFT</b>
<b>4. HANDTAGS JUSTERINGSVRED</b>
<b>5. KOPPLING FÖR NEDRE SKAFT</b>
<b>6. SÄKERHETSSKYDD</b>
<b>7. TRÅDMATNINGSKNAPP</b>
<b>8. SNÖRSKÄRARE</b>
<b>9. HJÄLPHANDTAG</b>
<b>10. FRIGÖRINGSKNAPP</b>
<b>11. STRÖMINDIKATOR FÖR BATTERIE</b>
<b>12. SKÅRHUVUD (SE FIG. I)</b>

<b>13. SPOLLOCK (SE FIG. J)</b>
<b>14. LOCKFRIGÖRINGSLÅS (SE FIG. J)</b>
<b>15. SPOLE (SE FIG. J)</b>
<b>16. TRÅDHÅL (SE FIG. J)</b>

\* Alla tillbehör beskrivna eller avbildade nedan medföljer inte standardprodukten.

## TEKNISKA DATA

Typ **WG183E WG183E.9 (1-beteckning för maskiner som är representativ för trådlös grästrimmer)**

	WG183E	WG183E.9
Spänning	40 V $\equiv$ MAX (2x20 V MAX) **	
Hastighet utan belastning	6800 /min	
Klippdiameter	33 cm	
Linjediameter	1.65 mm	
Laddningstid	5 m (dubbel utgång)	
Batterityp	Litiumjon	/
Batterimodell	WA3551.1(2.0 Ah)	/
Laddarmodell	WA3772	/
Laddningsmärkdatab	Inmatning: 100-240 V~50/60 Hz, 50 W Utmatning 1: 20V $\equiv$ ,2.0A*** Utmatning 2: 20V $\equiv$ ,2.0A***	/
Laddningstid (Cirka.) Batteripaket: 2.0 Ah (1 pc) 2.0 Ah (2 pcs)	65 mins 130 mins	/
Maskinens vikt	2.9 kg	2.2 kg

\*\*Spänning uppmätt utan belastning. Initial batterispänning är max. 20 V. Nominell spänning är 18 V.  
\*\*\* Med Laddare utgång 1 och utgång 2 menas två kontakter med samma utgångsstryka och ström.

## TILLBEHÖR

	WG183E	WG183E.9
--	--------	----------

Batteripaket (WA3551.1)	2	/
Laddare (WA3772)	1	/
Spole (WA0007)	1	1
Spollock (WA0216)	1	1
Säkerhetsskydd	1	1
Hjälphandtag	1	1

Vi rekommenderar att du köper dina tillbehör från samma återförsäljare som du köpte produkten från. Läs på tillbehörens förpackning för mera information. Din återförsäljare kan också hjälpa dig och ge dig råd.

## BULLERINFORMATION

Uppmätt ljudtryck	$L_{BA} = 75.8 \text{ dB(A)}$
$K_{PA}$	3.0 dB(A)
Uppmätt ljudstyrka	$L_{WA} = 90.2 \text{ dB(A)}$
$K_{WA}$	3.0 dB(A)

Använd hörselskydd.



## VIBRATIONINFORMATION

Typisk uppmätt vibrering	$a_h < 2.5 \text{ m/s}^2$
Osäkerhet	$K = 1.5 \text{ m/s}^2$

Det deklarerade totala vibrationsvärdet kan användas för att jämföra ett verktyg med ett annat och det kan också användas för preliminär bedömning av exponering.

**! WARNING:** Vibrationsemissionsvärdet vid användning av maskinverktyg kan skilja sig åt från det deklarerade värdet beroende på hur verktyget används och beroende på följande exempel och andra variationer av hur verktyget används:  
Hur verktyget används och materialet som verktyget används med.  
Verktyget är i bra skick och bra underhållet.  
Användning av korrekt tillbehör till verktyget och säkerställandet att det är vasst och i bra skick.  
Beroende på hur tajt åtdraget handtaget är och om några antivibrationstillbehör används.  
Verktyget används som avsett enligt konstruktionen och de här instruktionerna.

**Detta verktyg kan orsaka hand- arm- vibrationssyndrom om det används på felaktigt sätt.**

**! WARNING:** För att det ska bli korrekt bör en beräkning av exponeringsnivån under verkliga förhållanden vid användning också tas med för alla delar

av hanteringscykeln såsom tiden när verktyget är avstängt och när det körs på tomgång utan att utföra något arbete. Detta kan betydligt minska exponeringsnivån över den totala arbetsperioden.

Hjälp för att minimera risken för vibrationsexponering. Använd ALLTID skarpa mejslar, borrar och blad.

Underhåll verktyget i enlighet med dessa instruktioner och håll det välsmord (där det är nödvändigt).

Om verktyget ska användas regelbundet, investera i antivibrationstillbehör.

Planera ditt arbetsschema för att sprida ut användning av kraftigt vibrerande verktyg över flera dagar.

## MONTERING & HANTERING

AKTIVITET	BILD
<b>MONTERING</b>	
Montera trimmerns skaft	Se Fig. A
Montera trimmerns handtag	Se Fig. B
Montera Distansskyddet	Se Fig. C
Ta Bort Eller Sätta I Batteripaketet <b>OB:</b> • Gräsklipparen kommer endast att fungera med 2 batterier installerade. Var god använd alltid samma två batterier och ladda de två batterierna samtidigt. • När du använder två batterier med olika strömstyrkor, kommer maskinen bara att köpa tills den lägre gemensamma nämnaren nås.	Se Fig. D1,D2
Laddning av batteripaketet <b>OB:</b> • Batteripaketet levereras oladdat. Batteriet måste laddas helt innan första klipningen. • Ladda alltid helt de två batterierna samtidigt. Mer information finns i bruksanvisningen till laddaren.	Se Fig. D3
Maskinens strömindikator för batteriet Se avsnittet BATTERISTATUS	Se Fig. D4
<b>DRIFT</b>	
Till/Från-strömbrytaren <b>! WARNING!</b> Klipp huvudet fortsätter att rotera efter det att trimmern har stängts av; vänta tills den har stannat innan verktyget läggs ned.	Se Fig. E
TRIMNING	Se Fig. F
-justera hjälphandtaget	Se Fig. G
Mata ut snöre manuellt	Se Fig. H

Ta bort locket	Se Fig. I
Skärhuvud	Se Fig. J
Byta ut trimmerspolen	Se Fig. K, L
Manuellt upplindning av lina	Se Fig. M, N, O, P

### BATTERI STATUS LED (Se Fig. D4)

Innan användning eller efter användning trycker du på knappen bredvid strömindikatorlampan på maskinen för att kontrollera batterikapaciteten. Under drift kommer batterikapaciteten automatiskt att indikeras av batteriindikatorn.

Indikatorn känner av och visar batterietnivån enligt följande.

För maskiner med 2 batterier som har olika strömstyrkor, visar strömindikatorlampan batteriets tillstånd för den nedre av de två batterierna.

Batteristatus	Batteritillstånd
Fem gröna lampor (■ ■ ■ ■ ■) lyser.	Hög batterinivå.
Två, tre eller fyra gröna lampor lyser.	Medelhög batterinivå. Ju fler lampor som lyser, desto högre är batterinivån.
Endast en grön lampa (■ □ □ □ □) lyser.	Minst ett batteri är urladdat och måste laddas.
Inga lampor lyser.	Minst ett batteri är fel isatt eller defekt.
Endast en lampa blinkar två gånger per cykel.	Minst ett batteri är urladdat (se batteriladdningstillstånd), ladda de två batterierna minst en gång innan maskinen används igen eller förvaras.
Endast en lampa blinkar tre gånger per cykel.	Minst ett batteri är hett. Låt dem svalna innan du startar maskinen igen.
Endast en lampa blinkar fyra gånger per cykel.	Maskinen är överbelastad. Avlägsna verktyget från arbetsområdet och försök igen.

## ANVÄNDARHANDLEDNING



**VARNING!** Laddaren och batteripaketet är särskilt konstruerade för att fungera tillsammans. Använd inget annat batteripaket eller någon annan laddare. Se till att inga metallföremål kommer in i laddaren eller batteripaketet. Det kan orsaka elektriska fel som kan medföra fara.

### 1. Automatiskt snörmatarsystem

När du först slår på trimmern, matas ett litet stycke snöre ut.

En "rassel"-ljud kommer att höras under en kort tid.

Detta är normalt och orsakas av att lina klipps av "linklipparen" lina. När lina klipps till rätt längd, kommer "rassel"-ljudet att upphöra och trimmerns motor kan köras med full hastighet.

För att mata ut mer snöre, låt trimmern stoppa helt, starta därefter om den och låt motorn uppnå full hastighet. Upprepa detta tills du hör hur snörena träffar snörskäraren. (Upprepa inte denna procedur mer än 6 gånger)

### 2. Mata ut snöre manuellt (SE FIG. H)

Tryck och släpp den manuella matningsknappen, och dra försiktigt ut linorna tills linorna når trimmer.

När den önskade mängden lina matats ut, dra försiktigt i andra lina (det finns ingen anledning att trycka på den manuella matningsknappen igen). Om lina sträcker sig förbi trimmern har för mycket lina matats ut.

Om för mycket lina matas ut, ta bort klippkåpan och vrid spolen moturs tills lina är av önskad längd.

### Ta bort luckan (Se Fig. I)

Tryck och håll in de två spärrarna.

Dra bort skyddet från skärhuvudet. Håll locket och spöhhållaren rena från skräp. För att byta ut locket, tryck ordentligt mot spöhhållaren. Se till så att den är korrekt ansluten genom att försöka ta bort den utan att trycka de två spärrarna.

### Byta ut trimmerspolen (Se Fig. K, L)

Ta först av locket och ta sedan bort den gamla spolen. Placera ny spole i skärhuvudet. Mata en linje genom ögla, sedan upprepa för andra raden (Se Fig. L). Släpp ut lina från hjulet på spolen. Sätt tillbaka locket.

**VARNING!** Din trimmer är designad att endast använda en lina med en maximal diameter på 1.65mm. Använd endast nylonlina.

**VIKTIGT!** Linda alltid lina på den övre delen av spolen först.

### 3. MANUELLT UPPLINDNING AV LINA (SE FIG. M, N, O, P)

Ta cirka 5m lina och för in 15mm av lina i ett av hålen i den övre delen av spolen. Linda lina i riktningen som pilarna visar i toppen av spolen.

Lämna cirka 100mm av lina olindad och placera den i hjulet. Upprepa för den lägre delen av spolen.

Försiktighet bör vidtas för att säkerställa att lina är prydligt upprullad på spolen. Underlåtenhet att göra detta kommer att försämra den automatiska matningen av lina.

Montera sedan spolen som beskrivs ovan i "Byte av spole".

## FÖRVARING AV GRÄSTRIMMER



**Ta alltid bort batteriet från din trimmer efter användning.**

### Förvara din grässtrimmer

Trimmern är försedd med en öppning för hängare så att du kan hänga den på väggen. (Se Fig. Q)

Förvara trimmern och batteriet på en torr och skyddad plats.

## UNDERHÅLL



**Ta alltid bort batteriet från din trimmer efter användning.**

**Kontrollera alltid produkten innan den används för eventuella skador.**

Ta bort pluggen från hållaren innan du gör några Anpassningar, servis eller underhåll. Ditt verktyg kräver inte extra smörjning eller underhåll. Det finns inga delar som kan repareras av användaren i verktyget. Använd aldrig vatten eller kemiska medel för att rengöra verktyget. Torka rent med en torr trasa.

Förvara alltid verktyget på en torr plats. Håll motorns ventilationsöppningar rena. Håll alla arbetskontroller fria från damm.

## MILJÖSKYDD



Uttjänade elektriska produkter får inte kasseras som hushållsavfall. Återanvänd där det finns anläggningar för det. Kontakta dina lokala myndigheter eller återförsäljare för återvinningsråd.

## FELSÖKNING

I följande tabell hittar du problem och åtgärder som du kan utföra om inte enheten fungerar som den ska.



**VARNING:** Stäng av enheten och ta bort batteriet före all felsökning.

Problem	Möjliga orsaker	Korrigerande åtgärd
Trimmern fungerar inte.	Batteriet har laddat ur, Batteriet är för varmt/kallt. Motorn är trasig. Enhetens interna sladdar är trasiga.	Ladda batteriet; se även innehålllet i laddarens bruksanvisning. Låt batteriet svalna/bli varmt. Kontakta en servicetekniker. Kontakta en servicetekniker.
Trimmern går hackigt.	Motorn är trasig. Batteriet är inte fulladdat. Strömbrytaren är trasig.	Kontakta en servicetekniker. Ladda batteriet. Kontakta en servicetekniker.
Alltför starka vibrationer/ buller.	Enheten är trasig. Linspolen är fellindad.	Kontakta en servicetekniker. Linda om linan. Se " Manuellt upplindning av linan ".
Klipptiden per batteriladdning är för kort.	Batteriet har inte använts på länge eller laddats för kort tid. Gräset är för högt. Batteriet är trasigt.	Ladda batteriet fullt; se även innehålllet i laddarens bruksanvisning. Klipp i etapper. Byt ut batteriet.
Enheten klipper inte.	Linan är trasig. Batteriet är inte fulladdat. Motorn är trasig (för låg hastighet). Gräs har trasslat in sig runt klipp huvudet.	Byt ut linan. Ladda batteriet; se även innehålllet i laddarens bruksanvisning. Kontakta en servicetekniker. Ta bort gräset.
Batteriladdningsindikatorn lyser hela tiden. Det går inte att ladda batteriet.	Batteriet är fel isatt. Batterikontakterna är smutsiga. Batteriet är trasigt.	Sätt in batteriet i batterihållaren på rätt sätt. Rengör batterikontakterna (t.ex. genom att sätta in och ta ut batteriet flera gånger) eller byt ut batteriet. Byt ut batteriet.
Batteriladdningsindikatorn lyser inte.	Batteriladdarens kontakt är inte ordentligt isatt. Eluttag, strömsladd eller batteriladdare kan vara trasiga.	Sätt in strömkontakten ordentligt i eluttaget. Kontrollera nätströmmen. Låt batteriladdaren kontrolleras av en auktoriserad servicetekniker.
Den automatiska linframmatningen fungerar inte.	Linan är fellindad. Linan har trasslat sig. Linan är slut.	Mata fram linan manuellt. Om det fortfarande inte går att mata fram linan, ta ut spolen och linda om linan. Sätt i en ny linspole.

# DEKLARATION OM ÖVERENSSTÄMMELSE

Vi,  
Positec Germany GmbH  
Grüner Weg 10, 50825 Cologne, Germany

Deklarerar att denna produkt,  
Beskrivning **Trådlös grästrimmer**  
Typ **WG183E WG183E.9 (1-beteckning för maskiner som är representativ för trådlös grästrimmer)**  
Funktion **skärning gräs och ogräs**

Complies with the following Directives:  
**2006/42/EC, 2014/30/EU, 2011/65/EU&(EU)2015/863, 2000/14/EC ändrad av 2005/88/EC**

2000/14/EC ändrad av 2005/88/EC:  
- Konformitetsutvärderingsprocedur enligt **Bilaga VI**  
- Uppmätt bullernivå **90.2 dB (A)**  
- Deklarerad garanterad bullernivå **94 dB (A)**

Berört notifierat organ  
**Namn: ISET S.r.l. Unipersonale**  
**Address: Sede Legale e Uffici Via Donatori di sangue,9 – 46024 Moglia (MN)**

Standarder överensstämmer med,  
**EN 60335-1, EN 50636-2-91, EN 62233, EN ISO 3744, EN 55014-1, EN 55014-2**

Personen som godkänts att sammanställa den tekniska filen,  
**Namn Marcel Filz**  
**Address Positec Germany GmbH**  
**Grüner Weg 10, 50825 Cologne, Germany**



2020/07/28  
Allen Ding  
Vice chefsingenjör, tester och certifiering  
Positec Technology (China) Co., Ltd  
18, Dongwang Road, Suzhou Industrial  
Park, Jiangsu 215123, P. R. China

## BEZPIECZEŃSTWO PRODUKTU OGÓLNE OSTRZEŻENIA DOTYCZĄCE BEZPIECZEŃSTWA

 **UWAGA Należy przeczytać wszystkie przepisy.** *Błędy w*

*przestrzeganiu następujących przepisów mogą spowodować porażenie prądem, pożar i/lub ciężkie obrażenia ciała.*

**Należy dobrze przechowywać te przepisy.**

Urządzenie może być zastosowane wyłącznie z zespołem zasilania, który był dostarczony z tym urządzeniem.

95

**WAŻNE  
PRZED UŻYCIEM NALEŻY  
UWAŻNIE PRZECZYTAĆ  
NALEŻY ZACHOWAĆ DO  
WYKORZYSTANIA W  
PRZYSZŁOŚCI**

**Zalecenia dotyczące  
bezpiecznej obsługi  
1. SZKOLENIE**

- a) Uważnie przeczytaj niniejszą instrukcję. Zapoznaj się z elementami sterującymi oraz zasadami prawidłowego użytkowania urządzenia.;
- b) Nie dopuszczać do urządzenia dzieci lub

innych osób z obniżonymi zdolnościami fizycznymi, sensorycznymi lub umysłowymi oraz nieposiadające doświadczenia i wiedzy na temat urządzenia, a także osób, które nie zapoznały się z instrukcjami użytkownika urządzenia; lokalne przepisy mogą wprowadzić ograniczenia dotyczące wieku operatora.

- c) Zapamiętaj, że operator lub użytkownik jest odpowiedzialny za wypadki lub zagrożenia dla innych ludzi lub ich mienia.

## **2. PRZYGOTOWANIE**

- a) Przed przystąpieniem do obsługi urządzenia należy sprawdzić je wizualnie pod kątem uszkodzonych, brakujących lub przemieszczonych osłon lub pokryw.
- b) Nie należy obsługiwać urządzenia, jeśli w pobliżu znajdują się inne osoby, szczególnie dzieci, lub zwierzęta.

## **3. DZIAŁANIE**

- a) Podczas obsługi urządzenia należy zawsze nosić osłonę oczu, długie spodnie i solidne

obuwie.

- b) Unikać obsługi maszyny przy złej pogodzie, szczególnie jeśli istnieje ryzyko porażenia piorunem.
- c) Stosować urządzenie jedynie w świetle dziennym lub dobrym świetle sztucznym.
- d) Nigdy nie należy używać urządzenia baz ochraniaczy lub, jeśli są uszkodzone.
- e) Należy włączyć silnik urządzenia jedynie wówczas, gdy ręce i stopy znajdują się z dala od części tnących.
- f) Należy zawsze odłączyć urządzenie od źródła zasilania (np. wyjąć akumulator z urządzenia)
  - 1) zawsze, gdy urządzenie jest zostawione bez opieki;
  - 2) przed usunięciem blokady;
  - 3) przed przeglądem, czyszczeniem lub innymi pracami;
  - 4) po zderzeniu z twardym przedmiotem;
  - 5) gdy urządzenie zacznie wibrować w podejrzany sposób.
- g) Stosować zabezpieczenia przed obrażeniami na skutek kontaktu stóp lub rąk z częściami tnącymi.
- h) Należy pilnować by otwory wentylacyjne nie były



zabrudzone.

- i) Nigdy nie zakładać elementów do ciecica metalu.
- j) Podczas koszenia na pochyłym terenie należy uważać, aby nie stracić równowagi.
- k) Należy chodzić, nigdy nie należy biegać
- l) Nie wychylać się oraz dbać o zachowanie równowagi.
- m) Nie dotykać ruchomych niebezpiecznych części dopóki akumulator nie został wyjęty z urządzenia, a ruchome niebezpieczne części zostały całkowicie zatrzymane.

#### **4. KONSERWACJA I PRZECHOWYWANIE**

- a) Odłączyć urządzenie od źródła zasilania (np. wyjąć akumulator) przed przystąpieniem do konserwacji lub czyszczenia.
- b) Stosować jedynie części zamienne i akcesoria zalecane przez producenta.
- c) Regularnie sprawdzać i konserwować urządzenie. Urządzenie powinno być naprawiane jedynie przez upoważnioną do tego osobę.
- d) Jeśli urządzenie nie jest stosowane, należy trzymać je

z dala od dzieci.

#### **ZABEZPIECZENIE AKUMULATORA INSTRUKCJA BEZPIECZEŃSTWA DOTYCZĄCA MODUŁU AKUMULATORA**


- a) Nie demontuj, nie otwieraj lub nie niszczy ogniw pomocniczych lub modułu akumulatora.**
- b) Nie zwieraj ogniwa lub modułu akumulatora. Nie przechowuj ogniw lub modułu akumulatora w sposób bezładny w pudle lub szufladzie, gdzie mogą się wzajemnie zewrzeć lub ulec zwarceniu przez inne metalowe przedmioty.** Nie używany akumulator należy trzymać z daleka od spinaczy, monet, kluczy, gwoździ, śrub lub innych małych przedmiotów metalowych, które mogłyby spowodować zmostkowanie kontaktów. Zwarcie pomiędzy kontaktami akumulatora może spowodować oparzenia lub pożar.
- c) Nie narażaj ogniw lub modułu akumulatora na działanie ciepła lub**

- ognia. Unikaj składowania w miejscach pod bezpośrednim działaniem światła słonecznego.**
- d) Nie narażaj ogniwa lub modułu akumulatora na uderzenia mechaniczne.**
  - e) W razie wycieku z ogniwa, nie dopuść, aby płyn zetknął się ze skórą lub dostał się do oczu. Jeśli już nastąpił kontakt z płynem, przemyj skażoną powierzchnię dużą ilością wody i zwróć się o pomoc medyczną.**
  - f) Nie używaj ogniwa lub modułu akumulatora nie przeznaczonego do pracy z danym urządzeniem.**
  - g) Utrzymuj ogniwa i moduł akumulatora w czystości i w stanie suchym.**
  - h) Jeśli zaciski ogniwa lub akumulatora zostały zanieczyszczone, oczyść je czystą i suchą szmatką.**
  - i) Ogniwa pomocnicze i moduł akumulatora należy przed użyciem naładować. Zawsze używaj właściwej ładowarki i przestrzegaj instrukcji ładowania zawartej w instrukcji obsługi dostarczonej przez producenta urządzenia.**
  - j) Nie pozostawiaj modułu akumulatora na długie ładowanie, jeśli go nie używasz.**
  - k) Po dłuższym okresie składowania może być niezbędne kilkukrotne naładowanie i rozładowanie ogniwa lub modułu akumulatora, aby uzyskać optymalną wydajność.**
  - l) Ogniwa pomocnicze oraz moduł akumulatora osiągają największą wydajność podczas pracy w normalnej temperaturze pokojowej ( $20^{\circ}\text{C} \pm 5^{\circ}\text{C}$ ).**
  - m) Podczas utylizacji akumulatorów należy oddzielić od siebie akumulatory o różnych systemach elektromechanicznych.**
  - n) Akumulatory należy ładować tylko w ładowarkach, które poleci producent. Dla ładowarki, która nadaje się do ładowania określonych akumulatorów istnieje niebezpieczeństwo pożaru, gdy użyte zostaną inne akumulatory.**
  - o) Nie używaj ogniwa lub modułu akumulatora nie przeznaczonego do pracy z**

danym urządzeniem.

- p) Trzymaj ogniwa i moduł akumulatora poza zasięgiem dzieci.**
- q) Zachowaj oryginalne instrukcje produktu do wglądu.**
- r) Kiedy to możliwe, wyjmuj moduł akumulatora, jeśli urządzenia się nie używa.**
- s) Zużyte ogniwa i akumulatory utylizuj zgodnie z zasadami gospodarki odpadami.**
- t) Nie używaj w urządzeniu ogniw różnych producentów, pojemności i wymiarów.**
- u) Nie wyjmuj baterii z oryginalnego opakowania do momentu zastosowania w urządzeniu.**
- v) Kieruj się poprawną biegunowością wyznaczoną za pomocą symboli plus (+) i minus (-) na baterii / akumulatorze.**

## SYMBOLE

	Należy zachować bezpieczną odległość o przechodniów
---	---

	Keep bystanders away
	Stosować osłonę oczu i uszu
	Nie wystawiać na działanie deszczu
	Odpady wyrobów elektrycznych nie powinny być wyrzucane razem z odpadami gospodarstwa domowego. Należy korzystać z recyklingu, jeśli istnieje odpowiednia infrastruktura. Porady dotyczące recyklingu można uzyskać u władz lokalnych lub sprzedawcy detalicznego
 Li-Ion 	Bateria litowo-jonowa. Ten produkt oznaczono symbolem „segregacji odpadów” dla zużytych baterii i akumulatorów. Umożliwia to jego recykling i demontaż, które zmniejszają negatywny wpływ na środowisko. Pakiety akumulatorów są niebezpieczne dla środowiska i dla ludzkiego życia, gdyż zawierają niebezpieczne substancje.
	Nieprawidłowo utylizowane baterie mogą dostać się do obiegu wodnego, co jest groźne dla ekosystemu. Nie wyrzucaj baterii wraz z niesortowanymi odpadami miejskimi.
	Nie wrzucać do ognia
	Należy zakładać okulary ochronne
	Przed przystąpieniem do wymiany akcesoriów upewnić się, że akumulator został wyjęty.
	Przycinanie

	Blokada
	Odblokowanie
	Poprawnie
	Błędnie




## LISTA KOMPONENTÓW

1. AKUMULATOR \*
2. WŁĄCZNIK/WYŁĄCZNIK
3. GÓRNY TRZONEK
4. POKRĘTŁO REGULACJI UCHWYTU
5. ZŁĄCZKA DOLNEGO TRZONKA
- 100 6. OSŁONA OCHRONNA
7. PRZYCIŚK PRZESUWU LINKI TNĄCEJ
8. LINKA TNĄCA
9. UCHWYT DODATKOWY
10. BLOKADA WŁĄCZNIKA
11. WSKAŹNIK NAŁADOWANIA AKUMULATORA
12. GŁOWICA TNĄCA (PATRZ RYS..I)
13. OSŁONA SZPULKI (PATRZ RYS. J)
14. ZATRZASK ZWALNIAJĄCY NASADKĘ (PATRZ RYS.J)
15. SZPULKA (PATRZ RYS.J)
16. OCZKO (PATRZ RYS.J)

\* Nie wszystkie pokazane na ilustracji akcesoria są dostarczane standardowo.

## DANE TECHNICZNE

Typ **WG183E WG183E.9** (1-oznaczenie maszyny, reprezentatywne dla bezprzewodowej podkaszarki do trawy)

	WG183E	WG183E.9
Napięcie	40 V  MAX (2x20 V MAX) **	
Znamionowa prędkość na biegu jałowym	6800 /min	
Zasięg cięcia	33 cm	
Średnica linki tnącej	1.65 mm	
Długość linki	5 m (podwójne wyjście)	
Typ baterii	Jonowo-litowy	/
Model baterii	WA3551.1(2.0 Ah)	/
Model ładowarki	WA3772	/
Parametry ładowarki	Wejście: 100-240 V~50/60 Hz, 50 W Wydajność 1: 20 V  , 2.0 A*** Wydajność 2: 20 V  , 2.0 A***	
Czas ładowania (około.) Akumulator: 2.0Ah (1pc) 2.0Ah (2pcs)	65 mins 130 mins	/
Waga urządzenia	2.9 kg	2.2 kg

\*\*Napięcie mierzone bez obciążenia roboczego. Początkowe napięcie akumulatora osiąga maksymalnie 20 V. Napięcie nominalne to 18 V.

\*\*\* Wyjście ładowarki 1 wyjście 2 oznaczają dwa porty z jednakowymi wartościami napięcia i natężenia prądu wyjściowego.

## AKCESORIA

	WG183E	WG183E.9
Akumulator (WA3551.1)	2	/
Ładowarka (WA3772)	1	/
Szpulka (WA0007)	1	1
Osłona szpulki (WA0216)	1	1
Osłona ochronna	1	1
Uchwyt dodatkowy	1	1

Zaleca się zakup wszystkich akcesoriów w sklepie, gdzie

zakupiono narzędzie. Więcej szczegółów można znaleźć w dodatkowym opakowaniu. Personel sklepu może również udzielić pomocy i porad.

## DANE DOTYCZĄCE HAŁASU

Ważone ciśnienie akustyczne  $L_{pA} = 75.8 \text{ dB(A)}$

$K_{pA} = 3.0 \text{ dB(A)}$

Ważona moc akustyczna  $L_{WA} = 90.2 \text{ dB(A)}$

$K_{WA} = 3.0 \text{ dB(A)}$

Używać ochrony słuchu.



## INFORMACJE DOTYCZĄCE DRGAŃ

Typowa wibracja ważona  $a_h < 2.5 \text{ m/s}^2$

Niepewność  $K = 1.5 \text{ m/s}^2$

Zadeklarowana całkowita wartość wibracji może być wykorzystana do porównania jednego narzędzia z innym oraz może być użyta we wstępnej ocenie narażenia.

**OSTRZEŻENIE:** Wartość emisji wibracji w czasie rzeczywistego używania elektronarzędzia może się różnić od zadeklarowanej, w zależności od sposobu używania narzędzia w następujących przykładach i innych sposobach używania narzędzia:  
Pomoc w minimalizacji narażenia na wibracje. Należy ZAWSZE używać ostrych dłut, wiertel i ostrzy. Narzędzie należy konserwować z godnie z instrukcjami i prawidłowo smarować (w odpowiednich miejscach). Jeśli narzędzie jest używane regularnie należy zakupić akcesoria antywibracyjne. Należy zaplanować harmonogram pracy w celu rozłożenia używania narzędzi wytwarzających wysoki poziom drgań na kilka dni.

**Nieprawidłowe prowadzenie tego narzędzia może spowodować syndrom wibracji rąk.**

**OSTRZEŻENIE:** W szczególności, oszacowanie poziomu ekspozycji w rzeczywistych warunkach używania powinno brać także pod uwagę wszystkie elementy cyklu działania, takie jak czasy wyłączenia narzędzia i czas bezczynności, ale nie rzeczywiste wykonywaną pracę. Może to znacznie zmniejszyć poziom ekspozycji w całym okresie pracy. Pomoc w minimalizacji narażenia na wibracje. Należy ZAWSZE używać ostrych dłut, wiertel i ostrzy. Narzędzie należy konserwować z godnie z instrukcjami i prawidłowo smarować (w odpowiednich miejscach). Jeśli narzędzie jest używane regularnie należy zakupić akcesoria antywibracyjne. Należy zaplanować harmonogram pracy w celu rozłożenia używania narzędzi wytwarzających wysoki poziom drgań na kilka dni.

## MONTAŻ I OBSŁUGA

DZIAŁANIE	RYСУNEK
<b>MONTAŻ</b>	
Montaż wału przycinarki	Patrz Rys. A
Montaż uchwyty pomocniczego	Patrz Rys. B
Montaż Osłony Zabezpieczającej	Patrz Rys. C
DEMONTAŻ I MONTAŻ AKUMULATORA <b>UWAGA:</b> • Ta kosiarka będzie działać tylko, gdy zainstalowane są 2 akumulatory. Zawsze używać dwóch takich samych akumulatorów i ładować je równocześnie. • Jeżeli używane są dwie baterie o różnej mocy, urządzenie będzie działało tylko z niższą wspólną wartością mocy.	Patrz Rys. D1,D2
Ładowanie akumulatora <b>UWAGA:</b> • Akumulator jest dostarczany w stanie nienaładowany. Przed pierwszym użyciem kosiarki należy w pełni naładować akumulator. • Zawsze ładować oba akumulatory jednocześnie. Więcej szczegółów znajduje się w instrukcji obsługi ładowarki.	Patrz Rys. D3
Wskaźnik mocy akumulatora na urządzeniu W celu uzyskania szczegółów należy zapoznać się z rozdziałem STAN AKUMULATORA	Patrz Rys. D4
<b>DZIAŁANIE</b>	
Włącznik/wyłącznik <b>OSTRZEŻENIE!</b> Głowica tnąca kontynuuje obracanie po wyłączeniu podkaszarki, dlatego narzędzie można położyć dopiero po jego zatrzymaniu.	Patrz Rys. E
Przycinanie	Patrz Rys. F
- Regulacja uchwyty pomocniczego	Patrz Rys. G
Ręczny przesuw linki tnącej	Patrz Rys. H
ZDEJMOWANIE NAKŁADKI	Patrz Rys. I
Głowica tnąca	Patrz Rys. J
WYMIANA SZPULKI Z LINKĄ	Patrz Rys. K, L
Aby ręcznie nawinąć linkę	Patrz Rys. M, N, O, P

## DIODY LED STANU BATERII (Patrz Rys. D4)

Przed uruchomieniem lub po eksploatacji urządzenia naciśnij przycisk znajdujący się obok kontrolki zasilania na urządzeniu, aby sprawdzić pojemność akumulatora. Podczas pracy pojemność akumulatora będzie wskazywana automatycznie przez wskaźnik naładowania akumulatora.

Wskaźnik nieustannie mierzy i wyświetla stan akumulatora w następujący sposób.

W przypadku urządzeń z 2 akumulatorami o różnej mocy, wskaźnik zasilania pokazuje stan naładowania akumulatora o niższym poziomie naładowania.

Stan kontrolki LED baterii	Stan baterii
Świeci pięć zielonych kontrolki (■ ■ ■ ■ ■).	Dwie baterie są w pełni doładowane.
Świecą dwie, trzy lub cztery zielone kontrolki.	Dwie baterie są w czynności. Większa ilość świecących kontrolki oznacza wyższy stan doładowania baterii.
Świeci wyłącznie jedna zielona kontrolka (■ □ □ □ □).	Przynajmniej jedna bateria jest wyładowana i należy ją doładować.
Nie świeci żadna kontrolka.	Nie zainstalowano przynajmniej jednej baterii lub jest uszkodzona.
Wyłącznie jedna kontrolka świeci dwa razy w cyklu.	Przynajmniej jedna bateria jest wyładowana (skontrolować stan naładowania), przed ponownym użyciem lub składowaniem należy naładować dwie baterie.
Wyłącznie jedna kontrolka świeci trzy razy w cyklu.	Przynajmniej jedna bateria jest gorąca, poczekać do obniżenia temperatury przed ponownym użyciem.
Wyłącznie jedna kontrolka świeci cztery razy w cyklu.	Maszyna jest obciążona. Zaprzestać pracy z urządzeniem w danym obszarze i ponownie wszcząć pracę.

## INSTRUKCJA OBSŁUGI



**OSTRZEŻENIE!** Ładowarka oraz akumulatorki są specjalnie zaprojektowane do tego, aby pracowały razem, a więc nie należy używać innych urządzeń. Nigdy nie należy wkładać ani dopuszczać przedmiotów metalicznych do ładowarki lub pojemnika bateryjnego, gdyż może to spowodować uszkodzenie układu elektrycznego i niebezpieczeństwo porażenia prądem.

### 1. UKŁAD AUTOMATYCZNEGO PRZESUWU LINKI TNAĆEJ

Po pierwszym włączeniu podkaszarki wysunięty zostaje krótki odcinek linki tnącej.

W momencie uderzenia link w odcinacz słyszalny będzie klekoczący dźwięk. Jest to całkowicie normalne i może być spowodowany przez żytkę odciętą przez urządzenie tnące. Linka zostanie docięta do

odpowiedniej długości, a odgłos ucichnie, gdy silnik osiągnie całkowitą prędkość roboczą. Aby to zrobić, należy najpierw całkowicie zatrzymać podkaszarkę, uruchomić ją ponownie i rozpedzić silnik do pełnej prędkości roboczej. Powyższe czynności należy powtarzać do momentu, aż linki zaczną znów uderzać w odcinacz. (Nie powtarzać tej procedury więcej, niż 6 razy.)

### 2. RĘCZNY PRZESUW LINKI TNAĆEJ (Patrz Rys. H)

Przycisnąć i puścić przycisk podawania linki jednocześnie delikatnie wyciągając jedną z linkę, aż dojdzie ona do odcinka.

Gdy wyciągnięto odpowiednią długość link, delikatnie pociągnąć za drugą linkę (nie ma potrzeby ponownego przyciskania przycisku podawania linki). Jeżeli linka wystaje poza odcinacz, oznacza to, że wysunięty odcinek jest zbyt długi.

W takim przypadku należy zdjąć nakładkę szpulki, a następnie obracać szpulkę w lewo do momentu nawinięcia zbędnego odcinka linki.

### ZDEJMOWANIE NAKŁADKI (Patrz Rys. I)

Nacisnąć i przytrzymać dwa zatraski. Odciągnąć nakładkę głowicy tnącej od głowicy tnącej. Oczyścić nakładkę, uchwyt szpulki i okolice. Usunąć pokrywę, nałożyć nakładkę mocno naciskając w dół w kierunku uchwytu szpulki. Następnie należy sprawdzić, czy nakładka tkwi mocno na miejscu, próbując ją zdjąć bez naciskania zatrasków.

### WYMIANA SZPULKI Z LINKĄ (Patrz Rys. K, L)

Najpierw zdejmij nasadkę i usuń starą szpulę. Umieścić nową szpulkę na głowicy tnącej. Przeprowadzić linkę przez oczko, a następnie powtórzyć to samo z drugą linką (Patrz Rys. L). Poluzować linkę z klina na szpulki. Ponownie nałożyć nakładkę głowicy tnącej.

**OSTRZEŻENIE!** Urządzenie jest zaprojektowane do pracy jedynie z linkami o maksymalnej średnicy zewnętrznej 1,65 mm". Używać tylko linki nylonowej. **WAŻNE** - Zawsze najpierw nawijać linkę na górną część szpulki.

### 3. Aby ręcznie nawinąć linkę (Patrz Rys. M, N, O, P)

Potrzeba około 5 metrów linki. Należy wsunąć 15 mm linki w jeden z otworów w górnej części szpulki, a następnie nawijać linkę w kierunku wskazanym strzałkami na górze szpulki. Pozostawić nienawinięty odcinek o dt. 100 mm i osadzić go w zacisku. Powtórzyć do dolnej części szpulki. Należy dopilnować, aby linka została równomiernie nawinięta na całej wysokości szpulki. W przeciwnym razie pojawiają się trudności w działaniu automatycznego przesuwu linki tnącej. Następnie należy zamontować szpulkę zgodnie z opisem w punkcie „WYMIANA SZPULKI Z LINKĄ”.

## PRZECHOWYWANIE PRZYCINARKI DO TRAWY



**Zawsze po użyciu wyjmować akumulator z przycinarki.**

### Przechowanie podkaszarki do trawy

Podkaszarka jest wyposażona w uchwyt do zawieszenia na ścianie. (Patrz Rys. Q) Przechowywać w suchym miejscu, gwarantującym ochronę urządzenia i akumulatora przed zniszczeniem.

## KONSERWACJA



**Zawsze po użyciu wyjmować akumulator z przycinarki.**

**Zawsze przed użyciem sprawdzić, czy produkt nie jest uszkodzony.**

Przed dokonywaniem jakichkolwiek regulacji, obsługi technicznej lub konserwacji należy wyjąć wtyczkę z gniazdka. Narzędzie to nie wymaga żadnego dodatkowego smarowania czy konserwacji. W narzędziu nie ma żadnych części, które wymagałyby serwisowania przez użytkownika. Nigdy nie należy używać wody czy środków czyszczących do czyszczenia narzędzia z napędem elektrycznym. Czyścić suchą szmatką. Zawsze

należy przechowywać narzędzie w suchym miejscu. Utrzymywać w czystości otwory wentylacyjne silnika. Utrzymywać wszystkie urządzenia sterujące w czystości.

## ZASADY OCHRONY ŚRODOWISKA



Nie wolno mieszać zużytych urządzeń elektrycznych z innymi odpadami domowymi. Należy je oddawać do recyklingu tam, gdzie istnieją odpowiednie zakłady bądź punkty zdawania odpadów. Porady w tym zakresie można zasięgnąć u najbliższego sprzedawcy lub w przedstawicielstwie władz lokalnych.

## ROZWIĄZYWANIE PROBLEMÓW

W poniższej tabeli podane są usterki i sposób ich usuwania, który wykonać można kiedy urządzenie nie działa poprawnie.



**OSTRZEŻENIE:** Przed wykonaniem jakiegokolwiek usuwania usterki zawsze najpierw wyłączyć urządzenie i wyjąć z niego baterię.

Objawy	Możliwa przyczyna	Możliwe rozwiązanie
Przycinarka nie działa.	Akumulator wyczerpany. Akumulator za ciepły/za zimny. Silnik jest uszkodzony. Uszkodzenie wewnętrznych obwodów urządzenia.	Naładować akumulator, patrz instrukcja ładowarki. Pozwolić na ochłodzenie/ogrzanie. Skontaktować się z serwisem. Skontaktować się z serwisem.
Przycinarka przerywa.	Silnik zepsuty. Akumulator nienaładowany w pełni. Uszkodzony włącznik.	Skontaktować się z serwisem. Naładować akumulator. Skontaktować się z serwisem.
Nadmierne wibracje/ hałas.	Uszkodzona maszyna. Szpula linki nienawinięta prawidłowo.	Skontaktować się z serwisem. Przewinąć linkę. Patrz „Aby ręcznie nawinąć linkę”.
Za krótki czas działania na akumulatorze.	Akumulatora nie używano przez długi czas lub za krótko ładowano. Za wysoka trawa. Akumulator uszkodzony.	Całkowicie naładować akumulator. Patrz także instrukcja ładowarki. Ciąć etapami. Wymienić akumulator.
Maszyna nie przycina.	Linka zerwana. Akumulator nienaładowany w pełni. Silnik uszkodzony (za małą prędkość). Trawa splątana na głowicy tnącej.	Wymienić linkę. Naładować akumulator. Patrz także instrukcja ładowarki. Skontaktować się z serwisem. Usunąć trawę.
Kontrolka ładowania akumulatora świeci przez cały czas. Nie można naładować akumulatora.	Akumulator niewłożony (prawidłowo). Zabrudzone styki akumulatora. Uszkodzony akumulator.	Prawidłowo włożyć akumulator do ładowarki. Wyczyścić styki (np. przez kilkakrotne włożenie i wyjęcie akumulatora) lub wymienić akumulator. Wymienić akumulator.
Kontrolka ładowania akumulatora nie zapala się.	Wtyczka ładowarki niepodłączona (prawidłowo). Uszkodzone gniazdko, przewód lub ładowarka.	Całkowicie wcisnąć wtyczkę do gniazdka. Sprawdzić napięcie zasilania. Ładowarka powinna być sprawdzona przez autoryzowany serwis.
Podawanie nie działa.	Linka tnąca nie jest nawinięta prawidłowo. Linka jest splątana. Linka zużyta.	Ręcznie podać linkę. Jeśli nadal nie wysuwa się, wyjąć szpulę i przewinąć linkę. Wymienić na szpulę z nową linką.

## DECLARATION OF CONFORMITY

My,  
Positec Germany GmbH  
Grüner Weg 10, 50825 Cologne, Germany

Deklarujemy, że produkt,  
Nazwa **Bezprzewodowa podkaszarka do trawy**  
Typ **WG183E WG183E.9 (1-oznaczenie maszyny, reprezentatywne dla bezprzewodowej podkaszarki do trawy)**  
Funkcje **koszenie trawy i podobnej innej miękkiej wegetacji oraz do obcinania krawędzi trawników**

Jest zgodny z następującymi dyrektywami  
**2006/42/EC, 2014/30/EU, 2011/65/EU&(EU)2015/863, 2000/14/EC zmieniona dyrektywą 2005/88/EC**

2000/14/EC zmieniona dyrektywą 2005/88/EC:  
- Procedura oceny zgodności zgodna z **Aneksm VI Dyrektywy**  
- Moc dźwięku **90.2 dB (A)**  
- Deklarowana gwarantowana moc dźwięku **94 dB (A)**

Dane jednostki notyfikowanej  
**Nazwa: ISET S.r.l. Unipersonale**  
**Adres: Sede Legale e Uffici Via Donatori di sangue,9 – 46024 Moglia (MN)**


Normy są zgodne z,  
**EN 60335-1, EN 50636-2-91, EN 62233, EN ISO 3744, EN 55014-1, EN 55014-2**

Osoba upoważniona do kompilacji pliku technicznego,  
**Nazwa: Marcel Filz**  
**Adres: Positec Germany GmbH**  
**Grüner Weg 10, 50825 Cologne, Germany**



2020/07/28  
Allen Ding  
Zastępca głównego inżyniera, testowanie i certyfikacja  
Positec Technology (China) Co., Ltd  
18, Dongwang Road, Suzhou Industrial  
Park, Jiangsu 215123, P. R. China

## ΑΣΦΑΛΕΙΑ ΠΡΟΪΟΝΤΟΣ ΠΡΟΕΙΔΟΠΟΙΗΣΕΙΣ ΑΣΦΑΛΕΙΑΣ ΓΕΝΙΚΟΥ

 **ΠΡΟΕΙΔΟΠΟΙΗΣΗ!**  
**Διαβάστε όλες τις υποδείξεις.** Η μη τήρηση των παρακάτω υποδείξεων μπορεί να έχει σα συνέπεια ηλεκτροπληξία, κίνδυνο πυρκαϊάς ή/και σοβαρούς τραυματισμούς.

**Φυλάξτε όλες τις προειδοποιήσεις και τις οδηγίες για μελλοντική αναφορά.**

Η συσκευή προορίζεται για χρήση μόνο με τη μονάδα παροχής ρεύματος που συνοδεύει τη συσκευή.

**ΣΗΜΑΝΤΙΚΟ  
ΠΡΙΝ ΑΠΟ ΤΗ ΧΡΗΣΗ,  
ΔΙΑΒΑΣΤΕ ΠΡΟΣΕΚΤΙΚΑ  
ΔΙΑΤΗΡΗΣΤΕ ΤΟ ΓΙΑ  
ΜΕΛΛΟΝΤΙΚΗ ΑΝΑΦΟΡΑ**

**Ασφαλείς πρακτικές  
λειτουργίας**  
**1. 1ΕΚΠΑΙΔΕΥΣΗ**

- Διαβάστε προσεκτικά τις οδηγίες. Εξοικειωθείτε με τα χειριστήρια και τη σωστή χρήση της συσκευής.
- Ποτέ μην επιτρέπετε σε παιδιά, άτομα με μειωμένες φυσικές, αισθητηριακές ή



- πνευματικές ικανότητες, ή με έλλειψη εμπειρίας και γνώσεων, ή σε άτομα που δεν είναι εξοικειωμένα με αυτές τις οδηγίες να χρησιμοποιούν το μηχάνημα. Οι τοπικοί κανονισμοί ενδέχεται να επιβάλλουν περιορισμούς στην ηλικία των χειριστών.
- c) Ο χειριστής ή ο χρήστης είναι υπεύθυνος για πιθανά ατυχήματα ή κινδύνους που συμβαίνουν σε άλλα άτομα ή στην παρουσία τους.

## **2. ΠΡΟΕΤΟΙΜΑΣΙΑ**

- a) Πριν από τη χρήση να επιθεωρείτε πάντοτε οπτικά το μηχάνημα για να διαπιστώσετε αν τα προστατευτικά που φέρει έχουν ζημιά, λείπουν ή έχει αλλάξει η θέση τους.
- b) Μη θέτετε ποτέ τη μηχανή σε λειτουργία όταν υπάρχουν κοντά άνθρωποι, ειδικά παιδιά ή κατοικίδια ζώα.

## **3. ΛΕΙΤΟΥΡΓΙΑ**

- a) Φοράτε πάντα προστατευτικά ματιών, μακρύ παντελόνι και σταθερά παπούτσια κατά τη λειτουργία του μηχανήματος.

- b) Αποφύγετε τη χρήση του μηχανήματος υπό κακές καιρικές συνθήκες, ειδικά όταν υπάρχει κίνδυνος αστραπών.
- c) Χρησιμοποιείτε τη μηχανή μόνον στο φως της ημέρας ή κάτω από καλό τεχνητό φωτισμό.
- d) Ποτέ μην λειτουργείτε τη μηχανή με κατεστραμμένους προφυλακτήρες ή χωρίς να είναι στη θέση τους οι προφυλακτήρες.
- e) Πρέπει πάντα να διατηρείτε τα χέρια και τα πόδια σας μακριά από τον κόπτη και ιδιαίτερα όταν ανάβετε τη μηχανή.
- f) Αποσυνδέετε τη συσκευή από το ρεύμα (αφαιρέστε την μπαταρία από το μηχάνημα)
- 1) κάθε φορά που το μηχάνημα μένει χωρίς επίβλεψη,
  - 2) Πριν το καθαρίσετε από ένα μπλοκάρισμα;
  - 3) Πριν κάνετε έλεγχο, καθάρισμα ή εργαστείτε στο ηλεκτρικό εργαλείο;
  - 4) Αφού χτυπήσετε ένα άγνωστο αντικείμενο;
  - 5) κάθε φορά που το μηχάνημα αρχίζει να δονείται μη φυσιολογικά.

- g) Προσέχετε να μην τραυματιστείτε από όποια συσκευή που ενώνεται για την κοπή του μήκους της γραμμής του νήματος.
- h) Πάντα να διατηρείτε τις σπές εξαερισμού χωρίς σκουπίδια.
- i) Ποτέ μην εφαρμόζετε μεταλλικά κοπτικά μέρη.
- j) Να προσέχετε πάντα τα βήματα σας όταν βαδίζετε σε πλαγιές με κλίση
- k) Να περπατάτε και να μην τρέχετε ποτέ...
- l) Μην τεντώνετε υπερβολικά και κρατάτε πάντα την ισορροπία σας.
- m) Μην ακουμπάτε επικίνδυνα, κινούμενα εξαρτήματα προτού αφαιρέσετε το στοιχείο μπαταρίας από το μηχάνημα και προτού τα σταματήσει πλήρως η κίνηση των επικίνδυνων εξαρτημάτων.

#### **4. ΣΥΝΤΗΡΗΣΗ ΚΑΙ ΑΠΟΘΗΚΕΥΣΗ**

- a) Αποσυνδέετε τη συσκευή από το ρεύμα (αφαιρέστε την μπαταρία από το μηχάνημα) πριν ελέγξετε, καθαρίσετε ή διορθώσετε τη συσκευή και όταν δεν χρησιμοποιείται.

- b) Να χρησιμοποιείται γνήσιος μόνο ανταλλακτικά και αξεσουάρ.
- c) Επιθεωρείτε και συντηρείτε τακτικά το μηχάνημα. Αναθέστε την επισκευή του μηχανήματος μόνο σε εξουσιοδοτημένο τεχνικό επισκευών.
- d) Όταν δεν χρησιμοποιείται, αποθηκεύστε τη μηχανή σε χώρους στους οποίους δεν έχουν πρόσβαση παιδιά

#### **ΑΣΦΑΛΕΙΑ ΜΠΑΤΑΡΙΑΣ ΠΡΟΕΙΔΟΠΟΙΗΣΕΙΣ ΑΣΦΑΛΕΙΑΣ ΓΙΑ ΤΗ ΣΥΣΤΟΙΧΙΑ ΜΠΑΤΑΡΙΩΝ**

- a) Απαγορεύονται η αποσυναρμολόγηση, το άνοιγμα ή το κόψιμο στοιχείων μπαταριών ή συστοιχιών μπαταριών.**
- b) Δεν πρέπει να βραχυκυκλώνετε συστοιχίες μπαταριών. Οι συστοιχίες μπαταριών δεν πρέπει να φυλάσσονται ανοργάνωτα σε κουτί ή συρτάρι όπου μπορεί να βραχυκυκλώσουν η μία την άλλη ή να βραχυκυκλωθούν από αγώγιμα υλικά. Όταν**

δεν χρησιμοποιείτε την μπαταρία, φροντίστε να τη φυλάσσετε μακριά από άλλα μεταλλικά αντικείμενα, όπως συνδετήρες χαρτιού, κέρματα, κλειδιά, καρφιά, βίδες ή άλλα μικρά μεταλλικά είδη, που μπορεί να δημιουργήσουν σύνδεση μεταξύ των δύο ακροδεκτών. Αν τοποθετήσετε τους ακροδέκτες της μπαταρίας τον ένα δίπλα στον άλλο, μπορεί να προκληθούν εγκαύματα ή πυρκαγιά.

- c) Μην αφήσετε τη συστοιχία μπαταριών εκτεθειμένη σε υψηλή θερμοκρασία ή φωτιά. Αποφύγετε την αποθήκευσή της σε σημείο άμεσα εκτεθειμένο στο φως του ήλιου.**
- d) Μην αφήσετε τη συστοιχία μπαταριών να υποστεί μηχανικό πλήγμα.**
- e) Σε περίπτωση διαρροής της μπαταρίας, μην αφήσετε το υγρό να έρθει σε επαφή με το δέρμα ή τα μάτια σας. Αν συμβεί κάτι τέτοιο, πλύνετε το προσβεβλημένο σημείο με άφθονο νερό και**

**ζητήστε τη συμβουλή γιατρού.**

- f) Σε περίπτωση κατάποσης στοιχείου μπαταρίας ή συστοιχίας μπαταριών, αποταθείτε αμέσως σε γιατρό.**
- g) Η συστοιχία μπαταριών πρέπει να είναι πάντα καθαρή και στεγνή.**
- h) Αν λερωθούν οι ακροδέκτες της συστοιχίας μπαταριών, σκουπίστε τους με καθαρό στεγνό πανί.**
- i) Η συστοιχία μπαταριών χρειάζεται φόρτιση πριν από τη χρήση της. Πρέπει να ανατρέχετε πάντοτε στην παρούσα οδηγία και να χρησιμοποιείτε τη σωστή διαδικασία φόρτισης.**
- j) Μην αφήνετε τη συστοιχία μπαταριών να φορτίζεται όταν δεν τη χρησιμοποιείτε.**
- k) Μετά από παρατεταμένες περιόδους αποθήκευσης, μπορεί να χρειαστεί να φορτίσετε και να αποφορτίσετε τη συστοιχία μπαταριών αρκετές φορές για να επιτευχθούν οι μέγιστες επιδόσεις της.**

**l) Η συστοιχία μπαταριών επιτυγχάνει τις άριστες επιδόσεις της όταν λειτουργεί σε κανονική θερμοκρασία δωματίου (20°C ± 5°C).**

**m) Η απόρριψη συστοιχιών μπαταριών διαφορετικών ηλεκτροχημικών συστημάτων πρέπει να γίνεται χωριστά.**

**n) Για επαναφόρτιση χρησιμοποιήστε μόνο τον φορτιστή που καθορίζει η Worx. Μη χρησιμοποιήσετε άλλον φορτιστή εκτός από αυτόν που παρέχεται αποκλειστικά για χρήση μαζί με τον εξοπλισμό.**

Αν χρησιμοποιήσετε φορτιστή που είναι κατάλληλος για έναν τύπο συστοιχίας μπαταριών με άλλη συστοιχία, μπορεί να προκληθεί κίνδυνος πυρκαγιάς.

**o) Μη χρησιμοποιήσετε άλλη συστοιχία μπαταριών που δεν έχει σχεδιαστεί για χρήση μαζί με τον εξοπλισμό.**

**p) Φυλάξτε τη συστοιχία μπαταριών μακριά από σημεία όπου μπορεί να τη βρουν τα παιδιά.**

**q) Φυλάξτε τα αρχικά ενημερωτικά έντυπα του προϊόντος γιατί μπορεί να τα χρειαστείτε στο μέλλον.**

**r) Όταν δεν χρησιμοποιείτε την μπαταρία, πρέπει να την αφαιρείτε από τον εξοπλισμό.**

**s) Η απόρριψη των μπαταριών πρέπει να γίνεται με τον ενδεδειγμένο τρόπο.**

**t) Μη αναμειγνύετε τις μπαταρίες ή διαφορετική κατασκευή, χωρητικότητα, μέγεθος ή τύπο μέσα στον εξοπλισμό.**

**u) Μη αφαιρείτε την μπαταρία από την αρχική της συσκευασία μέχρι να χρειαστεί.**

**v) Παρατηρήστε τα σήματα συν (+) και μείον (-) στη μπαταρία για να εξασφαλίσετε τη σωστή χρήση.**

## ΣΥΜΒΟΛΑ



Διαβάστε το βιβλίο οδηγιών

	Να κρατάτε τους ανθρώπους σε απόσταση.
	Φορέστε την προστασία των ματιών και των αυτιών
	Μην το αφήνετε σε βροχή ή νερό
	Απόβλητα σχετικά με ηλεκτρισμό δεν πρέπει να πετάνονται μαζί με τα απόβλητα του νοικοκυριού. Παρακαλούμε να τα ανακυκλώνετε εκεί όπου υπάρχουν οι απαραίτητες εγκαταστάσεις. Ελέγξτε στον τοπικό σας δήμο ή στους πωλητές για συμβουλές ανακύκλωσης.
	Μπαταρία ιόντων λιθίου. Το προϊόν αυτό διαθέτει επισήμανση ενός συμβόλου που αφορά την «ξεχωριστή συλλογή» για όλες τις συστοιχίες μπαταριών και για την παρούσα συστοιχία μπαταριών. Στη συνέχεια θα ανακυκλωθεί ή θα αποσυναρμολογηθεί ώστε να ελαχιστοποιηθούν οι επιπτώσεις στο περιβάλλον. Οι συστοιχίες μπαταριών μπορούν να είναι επικίνδυνες για το περιβάλλον και την ανθρώπινη υγεία καθώς περιέχουν επικίνδυνες ουσίες.
	Εάν γίνει εσφαλμένη απόρριψη των μπαταριών μπορεί να εισέλθουν στον κύκλο του νερού με αποτέλεσμα να τεθεί σε κίνδυνο το οικοσύστημα. Μην απορρίψετε τις άχρηστες μπαταρίες ως μη ταξινομημένα αστικά απορρίμματα.
	Μην καεί
	Φοράτε προστατευτικά γάντια.

	Πριν από την αλλαγή των αξεσουάρ βεβαιωθείτε ότι η μπαταρία έχει αφαιρεθεί.
	Κοπτική λειτουργία
	Κλειδωμα
	Ξεκλειδωμα
	Σωστό
	Λάθος

## ΛΙΣΤΑ ΣΥΣΤΑΤΙΚΩΝ

<b>1. ΜΠΑΤΑΡΙΑ*</b>	109
<b>2. ΔΙΑΚΟΠΤΗΣ ON/OFF</b>	
<b>3. ΑΝΩ ΑΞΟΝΑΣ</b>	
<b>4. ΚΟΥΜΠΙ ΡΥΘΜΙΣΗΣ ΛΑΒΗΣ</b>	
<b>5. ΣΥΖΕΥΚΤΗΣ ΚΑΤΩ ΑΞΟΝΑ</b>	
<b>6. ΑΣΦΑΛΕΙΑ ΠΡΟΣΤΑΣΙΑΣ</b>	
<b>7. ΠΛΗΚΤΡΟ ΤΡΟΦΟΔΟΣΙΑΣ ΓΡΑΜΜΗΣ</b>	
<b>8. ΓΡΑΜΜΙΚΟΣ ΚΟΠΤΗΣ</b>	
<b>9. ΒΟΗΘΗΤΙΚΗ ΛΑΒΗ</b>	
<b>10. ΚΟΥΜΠΙ ΑΣΦΑΛΙΣΗΣ</b>	
<b>11. ΛΥΧΝΙΑ ΕΝΔΕΙΞΗΣ ΜΠΑΤΑΡΙΑΣ</b>	
<b>12. ΚΟΠΗ ΣΥΝΑΡΜΟΛΟΓΗΣΗ ΤΗΣ ΚΕΦΑΛΗΣ (ΒΛ. ΕΙΚ. I)</b>	
<b>13. ΚΑΠΑΚΙ ΚΑΡΟΥΛΙΟΥ (ΒΛ. ΕΙΚ. J)</b>	
<b>14. ΚΛΕΙΔΑΡΙΑ ΑΠΕΛΕΥΘΕΡΩΣΗΣ ΠΩΜΑΤΟΣ (ΒΛ. ΕΙΚ. J)</b>	
<b>15. ΤΥΜΠΑΝΟ (ΒΛ. ΕΙΚ. J)</b>	
<b>16. ΟΦΘΑΛΜΙΔΙΟ (ΒΛ. ΕΙΚ. J)</b>	

**\*Δεν περιλαμβάνονται στο βασικό εξοπλισμό όλα τα εξαρτήματα που απεικονίζονται ή περιγράφονται.**

## ΤΕΧΝΙΚΕΣ ΠΛΗΡΟΦΟΡΙΕΣ

Τύπος **WG183E WG183E.9 (1-Ονομασία μηχανήματος, αντιπροσωπευτική για Ασύρματο χλοοκοπτικό)**

	WG183E	WG183E.9
Βολτ	40 V $\overline{=}$ MAX (2x20 V MAX) **	
Ονομαστική ταχύτητα χωρίς φορτίο	6800 /min	
Διάμετρος κοπής	33 cm	
Μήκος γραμμής κοπής	1.65 mm	
Μήκος γραμμής κοπής	5 m (Διπλή έξοδος)	
Τύπος μπαταρίας	Lithium-ion	/
Μοντέλο μπαταρίας	WA3551.1(2.0 Ah)	/
Μοντέλο φορτιστή	WA3772	/
Ονομαστική τιμή φορτιστή	Είσοδος: 100-240 V~50/60 Hz, 50 W Έξοδος 1: 20V $\overline{=}$ , 2.0 A*** Έξοδος 2: 20V $\overline{=}$ , 2.0 A***	
Χρόνος φόρτισης (περ.) Συστοιχία μπαταριών: 2.0 Ah (1 τεμ.) 2.0 Ah (2 τεμ.)	65 mins 130 mins	
Βάρος	2.9 kg	2.2 kg

\*\*Η τάση μετριέται άνευ φορτίου. Η αρχική τάση της μπαταρίας φτάνει έως τα 20 volt. Η ονομαστική τάση είναι 18 volt.

\*\*\* Charger output 1 and output 2 mean two ports with the same output voltage and current.

## ΑΞΕΣΟΥΑΡ

	WG183E	WG183E.9
μπαταρία(WA3551.1)	2	/
φορτιστής (WA3772)	1	/
Τύμπανο(WA0007)	1	1
Καπάκι καρουλιού (WA0216)	1	1
ασφαλεία προστασίας	1	1
Βοηθητική λαβή	1	1

Προτείνουμε να αγοράσετε όλα τα αξεσουάρ από το κατάστημα που αγοράσατε το εργαλείο. Ανατρέξτε στη συσκευασία του αξεσουάρ για περισσότερες πληροφορίες. Το προσωπικό του καταστήματος μπορεί επίσης να βοηθήσει και να συμβουλευθεί.

## ΠΛΗΡΟΦΟΡΙΕΣ ΘΟΡΥΒΟΥ

Μετρημένη ηχητική πίεση  $L_{pA} = 75.8 \text{ dB(A)}$

$K_{pA} = 3.0 \text{ dB(A)}$

Μετρημένη ηχητική δύναμη  $L_{wA} = 90.2 \text{ dB(A)}$

$K_{wA} = 3.0 \text{ dB(A)}$

**Χρησιμοποιήστε μέσα προστασίας της ακοής σας**



## ΠΛΗΡΟΦΟΡΙΕΣ ΚΡΑΔΑΣΜΩΝ

Τιμή εκπομπής δόνησης  $a_h = XX \text{ m/s}^2$

Αβεβαιότητα  $K = 1.5 \text{ m/s}^2$

Η δηλωμένη συνολική τιμή δόνησης μπορεί να χρησιμοποιηθεί για τη σύγκριση ενός εργαλείου με ένα άλλο και μπορεί να χρησιμοποιηθεί, επίσης, σε προκαταρκτική αξιολόγηση έκθεσης.



**ΠΡΟΣΟΧΗ:** Η τιμή εκπομπής κραδασμών κατά τη διάρκεια της ενεργούς χρήσης του εργαλείου ενδέχεται να διαφέρει από την τιμή που αναφέρεται ανάλογα με τους τρόπους με τους οποίους χρησιμοποιείται το εργαλείο, ανάλογα με τα ακόλουθα παραδείγματα και άλλες μεταβλητές στον τρόπο χρήσης του εργαλείου:

Αν το εργαλείο βρίσκεται σε καλή κατάσταση και συντηρείται σωστά

Αν χρησιμοποιείται το κατάλληλο εξάρτημα για το εργαλείο και αν είναι αιχμηρό και σε καλή κατάσταση. Πόσο σφικτή είναι η λαβή στο χερούλι και αν χρησιμοποιούνται αξεσουάρ κατά των κραδασμών. Αν χρησιμοποιείται το εργαλείο όπως έχει προδιαγραφεί από το σχεδιασμό του και τις παρούσες οδηγίες.

**Το εργαλείο αυτό ενδέχεται να προκαλέσει σύνδρομο κραδασμού χεριού-βραχίονα εάν η χρήση του δεν ελέγχεται σωστά**

**ΠΡΟΣΟΧΗ:** Για να υπάρχει ακρίβεια, η εκτίμηση του επιπέδου έκθεσης σε πραγματικές συνθήκες χρήσης πρέπει να λάβει επίσης υπόψη όλα τα μέρη του κύκλου λειτουργίας όπως τις φορές που το εργαλείο απενεργοποιείται καθώς και όταν λειτουργεί σε κενό αλλά δεν κάνει πραγματικά την εργασία. Αυτό μπορεί να μειώσει σημαντικά το επίπεδο έκθεσης μέσα στη συνολική περίοδο λειτουργίας. Βοήθεια στην ελαχιστοποίηση του κινδύνου έκθεσης σε κραδασμούς. Να συντηρείτε το εργαλείο σύμφωνα με τις παρούσες οδηγίες και να το διατηρείτε καλά γρασαρισμένο (εκεί που ισχύει) Εάν το εργαλείο πρόκειται να χρησιμοποιείται τακτικά τότε επενδύστε σε αξεσουάρ κατά των κραδασμών. Σχεδιάστε το πρόγραμμα της εργασίας σας έτσι ώστε να διαμοιράσετε τη χρήση εργαλείων υψηλών κραδασμών μέσα σε μερικές μέρες.

## ΣΥΝΑΡΜΟΛΟΓΗΣΗ & ΔΙΑΔΙΚΑΣΙΑ ΦΟΡΤΙΣΗΣ

ΕΝΕΡΓΕΙΑ	ΣΙΚ
<b>ΣΥΝΑΡΜΟΛΟΓΗΣΗ</b>	
Συναρμολόγηση του άξονα χλοοκοπτικού	Βλ. Εικ. Α
Συναρμολόγηση της βοηθητικής χειρολαβής	Βλ. Εικ. Β
Συναρμολόγηση της ασφάλειας προστασίας	Βλ. Εικ. C
Βγαζοντας ή βαζοντας μια μπαταρία <b>ΣΗΜΕΙΩΣΗ:</b> • Το μηχάνημα αυτό θα μπορεί να λειτουργήσει μόνο εφόσον τοποθετηθούν 2 μπαταρίες. Συστήνεται να χρησιμοποιείτε τις ίδιες δύο μπαταρίες και να τις φορτίζετε ταυτόχρονα. • Όταν χρησιμοποιείτε δύο μπαταρίες με διαφορετική ισχύ, το μηχάνημα θα λειτουργεί μόνο στην χαμηλότερη κοινή ονομαστική τιμή.	Βλ. Εικ. D1,D2
Φορτίζοντας την μπαταρία σας <b>ΣΗΜΕΙΩΣΗ:</b> • Οι μπαταρίες αποστέλλονται αφορτιστες. Κάθε μπαταρία πρέπει να φορτίζεται πλήρως πριν την πρώτη χρήση. • Φορτίζετε πάντα και τις δύο μπαταρίες ταυτόχρονα. Μπορείτε να βρείτε περισσότερες λεπτομέρειες στο εγχειρίδιο του φορτιστή.	Βλ. Εικ. D3

Ένδειξη ισχύος μπαταρίας επάνω στο μηχάνημα Δείτε τις λεπτομέρειες στο απόσπασμα ΚΑΤΑΣΤΑΣΗ ΜΠΑΤΑΡΙΑΣ	Βλ. Εικ. D4
<b>ΟΔΗΓΙΕΣ ΛΕΙΤΟΥΡΓΙΑΣ</b>	
Διακοπτής ON/OFF	
<b>ΠΡΟΕΙΔΟΠΟΙΗΣΗ!</b> Η κεφαλή κοπής συνεχίζει να περιστρέφεται αφού σβήσει η κοπτική μηχανή. Περιμένετε μέχρι να σταματήσει και μετά αφήστε κάτω το εργαλείο.	Βλ. Εικ. E
Κοπτική λειτουργία	Βλ. Εικ. F
-Ρύθμιση της Βοηθητικής λαβής	Βλ. Εικ. G
Για να τροφοδοτήσετε τη γραμμή χειροκίνητα	Βλ. Εικ. H
Για να αφαιρεσετε το καπακι	Βλ. Εικ. I
Κοπή συναρμολόγηση της κεφαλής	Βλ. Εικ. J
Αντικαταστήστε το νήμα κουρέματος και το πηνίο	Βλ. Εικ. K,L
Για τύλιγμα του νήματος με το χέρι	Βλ. Εικ. M, N,O,P

### ΚΑΤΑΣΤΑΣΗ ΜΠΑΤΑΡΙΑΣ (Δείτε την Εικ. D4)

Πριν την εκκίνηση ή μετά τη χρήση πατήστε το κουμπί δίπλα στη λυχνία ένδειξης ισχύος στο μηχάνημα για να ελέγξετε την ισχύ μπαταρίας. Κατά τη διάρκεια της χρήσης η ισχύς μπαταρίας θα προβάλλεται αυτόματα από την ένδειξη ισχύος μπαταρίας. Η ένδειξη ανιχνεύει και προβάλλει συνεχώς την κατάσταση μπαταρίας ως εξής. Για μηχάνημα με 2 συστοιχίες μπαταριών με διαφορετική ισχύ, η λυχνία ένδειξης ισχύος προβάλλει την κατάσταση μπαταρίας με την χαμηλότερη ισχύ από τις δύο μπαταρίες.

Κατάσταση ένδειξης ισχύος μπαταρίας	Κατάσταση μπαταρίας
Ανάβουν πέντε πράσινες λυχνίες (■ ■ ■ ■ ■).	Οι δύο μπαταρίες είναι αρκετά φορτισμένες.
Δύο, τρεις ή τέσσερις πράσινες λυχνίες ανάβουν.	Οι δύο μπαταρίες έχουν λίγη εναπομείνουσα φόρτιση. Όσο περισσότερες λυχνίες ανάβουν, τόσο μεγαλύτερη είναι η χωρητικότητα της μπαταρίας.
Μόνο μια πράσινη λυχνία (■ □ □ □ □) ανάβει.	Τουλάχιστον μια μπαταρία είναι σχεδόν εξαντλημένη και πρέπει να φορτιστεί.

Δεν ανάβει καμία λυχνία.	Τουλάχιστον μια μπαταρία δεν έχει εγκατασταθεί καλά ή η μπαταρία μπορεί να είναι ελαττωματική.
Μόνο μια λυχνία αναβοσβήνει δύο φορές ανά κύκλο.	Τουλάχιστον μια μπαταρία έχει υπερφορτιστεί (ανατρέξτε στην κατάσταση φόρτισης μπαταρίας), επαναφορτίστε τις δύο μπαταρίες αμέσως πριν από εκ νέου χρήση ή αποθήκευση.
Μόνο μια λυχνία αναβοσβήνει τρεις φορές ανά κύκλο.	Τουλάχιστον μια μπαταρία είναι καυτή, περιμένετε να κρυσώσει πριν από επανεκκίνηση.
Μόνο μια λυχνία αναβοσβήνει τέσσερις φορές ανά κύκλο.	Το μηχάνημα έχει υπερφορτωθεί. Αυξήστε το ύψος κοπής ή ωθήστε αργά.

## ΟΔΗΓΙΕΣ ΛΕΙΤΟΥΡΓΙΑΣ



**ΠΡΟΕΙΔΟΠΟΙΗΣΗ!** Ο φορτιστής και η συστοιχία μπαταριών έχουν σχεδιαστεί ειδικά για να χρησιμοποιούνται μαζί, συνεπώς μη χρησιμοποιείτε άλλες συσκευές. Ποτέ μην εισάγετε μεταλλικά αντικείμενα μέσα στον φορτιστή σας ή στις συνδέσεις συστοιχίας μπαταριών διότι μπορεί να προκύψει ηλεκτρική βλάβη και κίνδυνος.

### 1. ΑΥΤΟΜΑΤΟ ΣΥΣΤΗΜΑ ΤΡΟΦΟΔΟΤΗΣΗΣ ΓΡΑΜΜΗΣ

Όταν αρχικά ενεργοποιείτε την κοπτική μηχανή, δημιουργείτε μία γραμμή μικρού μήκους. Θα ακουστεί ένας ήχος όταν οι γραμμές χτυπούν τον γραμμικό κόφτη. Αυτό είναι φυσικό και προκαλείται από την κοπή του νήματος από τον κόπτη. Μόλις το νήμα κοπεί στο σωστό μήκος, ο ήχος θα σταματήσει και ο κινητήρας του χλοοκοπτικού θα λειτουργεί σε πλήρη ταχύτητα.

Για να τροφοδοτήσετε περισσότερες γραμμές, είναι αρχικά απαραίτητο να αφήσετε την κοπτική μηχανή να σταματήσει εντελώς, μετά να ξεκινήσετε ξανά, αφήνοντας τη μηχανή να πάρει την τελική της ταχύτητα. Επαναλάβετε πάνω από 4 φορές μέχρι να ακούσετε τις γραμμές να χτυπάνε πάνω στο γραμμικό κόπτη. (Μην επαναλαμβάνετε αυτή τη διαδικασία περισσότερες από 6 φορές)

### 2. ΓΙΑ ΝΑ ΤΡΟΦΟΔΟΤΗΣΕΤΕ ΤΗ ΓΡΑΜΜΗ ΧΕΙΡΟΚΙΝΗΤΑ (ΒΛ. ΕΙΚ. Η)

Πατήστε και αφήστε το Κουμπί τροφοδοσίας νήματος ενώ τραβάτε απαλά προς τα έξω ένα από τα νήματα μέχρι να φτάσει στον κόπτη του νήματος. Όταν έχει τροφοδοτηθεί η απαιτούμενη ποσότητα νήματος, τραβήξτε απαλά το δεύτερο νήμα (δεν υπάρχει ανάγκη να πιέσετε ξανά το κουμπί τροφοδοσίας νήματος). Αν το νήμα υπερβαίνει τον κόπτη νήματος, αυτό σημαίνει ότι έχει τροφοδοτηθεί υπερβολικό νήμα. Αν έχει τροφοδοτηθεί υπερβολικό νήμα, αφαιρέστε το κάλυμμα του κυλίνδρου και περιστρέψτε τον κύλινδρο δεξιόστροφα μέχρι το νήμα να είναι στο επιθυμητό μήκος.

### Για να αφαιρέσετε το καπάκι (Βλ. Εικ. Ι)

Πατήστε και κρατήστε τα δύο μάνδαλα. Τραβήξτε και αφαιρέστε το κάλυμμα της κεφαλής κοπής από την Κεφαλή κοπής. Διατηρείτε το κάλυμμα

της κεφαλής κοπής και το εσωτερικό της Κεφαλής κοπής καθαρό από ρύπους. Για να τοποθετήσετε ξανά το κάλυμμα της κεφαλής κοπής, πιέστε το γερά στο στηρίγμα του κυλίνδρου. Βεβαιωθείτε ότι το καπάκι έχει τοποθετηθεί σωστά προσαβώντας να τα αφαιρέσετε χωρίς να πιέζετε τα δύο μάνδαλα.

### Αλλαγή του κυλίνδρου νήματος (Βλ. Εικ. Κ, Λ)

Αφαιρέστε πρώτα το καπάκι και απομακρύνετε το παλιό καρούλι. Τοποθετήστε το νέο κύλινδρο στην κεφαλή κοπής. Τροφοδοτήστε το ένα νήμα μέσω της οπής και συνεχίστε με το δεύτερο νήμα. (Βλ. Εικ. Λ) Τοποθετήστε ξανά στη θέση του το κάλυμμα της κεφαλής κοπής.

**ΠΡΟΕΙΔΟΠΟΙΗΣΗ!** Η κοπτική μηχανή σας έχει σχεδιαστεί για να χρησιμοποιεί μόνο γραμμή με μέγιστη διάμετρο 1.65 mm. Χρησιμοποιήστε μόνο από ναύλον γραμμή.

**ΣΗΜΑΝΤΙΚΟ** - Πάντα να γυρνάτε τη γραμμή στο επάνω τμήμα του τυμπάνου πρώτα.

### 3. ΓΙΑ ΧΕΙΡΟΚΙΝΗΤΟ ΤΥΛΙΓΜΑ ΝΗΜΑΤΟΣ (Βλ. Εικ. Μ, Ν, Ο, Ρ)

Αφήστε περίπου 5 μέτρα γραμμής. Εισάγετε 15mm γραμμής σε μία από τις τρύπες στο επάνω τμήμα του τυμπάνου και γυρνάτε τη γραμμή προς των κατεύθυνση των βελών επάνω στο τυμπάνο. Αφήνετε περίπου 100mm στριμμένης γραμμής και τοποθετήστε τη στη σφήνα. Επαναλάβετε στο κάτω τμήμα του τυμπάνου.

Ιδιαίτερη προσοχή απαιτείται για να βεβαιωθείτε ότι η γραμμή είναι γυρισμένη σωστά στο πηνίο. Σε διαφορετική περίπτωση, θα προκληθεί βλάβη στην αυτόματη τροφοδοσία γραμμής. Κατόπιν τοποθετήστε το τυμπάνο, όπως περιγράφεται στην παράγραφο «Για να τοποθετήσετε ολόκληρο το τυμπάνο και τη γραμμή».

## ΑΠΟΘΗΚΕΥΣΗ ΤΟΥ ΧΛΟΟΚΟΠΤΙΚΟΥ ΣΑΣ



**Πάντα απομακρύνετε τη συστοιχία μπαταριών από το χλοοκοπτικό μετά τη χρήση.**

### Αποθήκευση του ΧΛΟΟΚΟΠΤΙΚΟΥ ΣΑΣ

Το χλοοκοπτικό παρέχεται με μια σχισμή ανάρτησης για την αποθήκευση του χλοοκοπτικού στον τοίχο. (Δείτε την εικ. Q)

Αποθηκεύετε σε στεγνό χώρο όπου το χλοοκοπτικό και η μπαταρία θα προστατεύονται από ζημιές.

## ΣΥΝΤΗΡΗΣΗ



**Πάντα απομακρύνετε τη συστοιχία μπαταριών από το χλοοκοπτικό μετά τη χρήση.**

### Ελέγχετε πάντα το προϊόν πριν τη χρήση του για ενδεχόμενες ζημιές.


Μετά από τη χρήση, αποσυνδέετε την μπαταρία από το εργαλείο και ελέγχετε για ζημιές.

Το ηλεκτρικό σας εργαλείο δεν απαιτεί πρόσθετη λίπανση ή συντήρηση. Δεν υπάρχουν στο ηλεκτρικό εργαλείο σας εξαρτήματα για επισκευή από τον χρήστη. Μη χρησιμοποιήσετε ποτέ νερό ή χημικά προϊόντα καθαρισμού για να καθαρίσετε το ηλεκτρικό εργαλείο σας. Καθαρίζετε το σκουπίζοντάς το με ένα



στεγνό πανί. Αποθηκεύετε πάντα το ηλεκτρικό εργαλείο σας σε τοποθεσία με ξηρό περιβάλλον. Διατηρείτε τις σχισμές εξαερισμού του μοτέρ καθαρές. Διατηρείτε όλους τους ρυθμιστές λειτουργίας χωρίς σκόνη.

## ΠΡΟΣΤΑΣΙΑ ΤΟΥ ΠΕΡΙΒΑΛΛΟΝΤΟΣ

 Απόβλητα σχετικά με ηλεκτρισμό δεν πρέπει να πετάγονται μαζί με τα απόβλητα του νοικοκυριού. Παρακαλούμε να τα ανακυκλώνετε εκεί όπου υπάρχουν οι απαραίτητες εγκαταστάσεις. Ελέγξτε στον τοπικό σας δήμο ή στους πωλητές για συμβουλές ανακύκλωσης.

## ΕΠΙΛΥΣΗ ΠΡΟΒΛΗΜΑΤΩΝ

Στον πίνακα που ακολουθεί αναφέρονται προβλήματα και ενέργειες επίλυσης που μπορείτε να πραγματοποιήσετε αν το μηχάνημά σας δεν λειτουργεί σωστά.



**ΠΡΟΕΙΔΟΠΟΙΗΣΗ:** Απενεργοποιήστε το μηχάνημα και αφαιρέστε τη μπαταρία πριν από οποιαδήποτε ενέργεια επίλυσης προβλήματος.

Προβλήματα	Πιθανές αιτίες	Διορθωτική ενέργεια
Το χλοοκοπτικό δεν λειτουργεί.	Η μπαταρία είναι αποφορτισμένη. Η μπαταρία είναι πολύ ζεστή/κρύα. Ο κινητήρας έχει χαλάσει. Οι εσωτερικές καλωδιώσεις του μηχανήματος έχουν πάθει βλάβη.	Επαναφορτίστε την μπαταρία, βλ. επίσης τα περιεχόμενα του εγχειριδίου του φορτιστή. Αφήστε την να κρυώσει/ζεσταθεί. Επικοινωνήστε με τον αντιπρόσωπο σέρβις. Επικοινωνήστε με τον αντιπρόσωπο σέρβις.
Το χλοοκοπτικό λειτουργεί με διαλείμματα.	Ο κινητήρας έχει χαλάσει. Η μπαταρία δεν είναι πλήρως φορτισμένη. Ο διακόπτης On/Off (Ενεργ./ Απενεργ.) έχει χαλάσει.	Επικοινωνήστε με τον αντιπρόσωπο σέρβις. Επαναφορτίστε τη μπαταρία.  Επικοινωνήστε με τον αντιπρόσωπο σέρβις.
Υπερβολικές δονήσεις/ θόρυβος.	Το μηχάνημα έχει χαλάσει.  Το νήμα νήματος δεν είναι καλά τυλιγμένο.	Επικοινωνήστε με τον αντιπρόσωπο σέρβις. Τυλίξτε το νήμα. δείτε και "Για τύλιγμα του νήματος με το χέρι"
Ο χρόνος κουρέματος ανά φόρτιση μπαταρίας είναι πολύ μικρός.	Η μπαταρία δεν έχει χρησιμοποιηθεί για πολύ καιρό ή έχει φορτιστεί για λίγο. Το γκαζόν είναι πολύ υψηλό. Η μπαταρία είναι ελαττωματική.	Επαναφορτίστε την μπαταρία, βλ. επίσης τα περιεχόμενα του εγχειριδίου του φορτιστή. Κουρευτείτε σε στάδια. Αντικαταστήστε την μπαταρία.
Το μηχάνημα δεν κόβει.	Το νήμα έχει κοπεί. Η μπαταρία δεν είναι πλήρως φορτισμένη. Ο κινητήρας έχει χαλάσει (η ταχύτητα είναι πολύ χαμηλή). Το γκαζόν εμπλέκεται γύρω από την κεφαλή κοπής.	Αντικαταστήστε το νήμα. Επαναφορτίστε την μπαταρία, βλ. επίσης τα περιεχόμενα του εγχειριδίου του φορτιστή. Επικοινωνήστε με τον αντιπρόσωπο σέρβις. Απομακρύνετε το γκαζόν.
Ανάβει συνεχώς η ενδεικτική λυχνία φόρτισης μπαταρίας. Δεν είναι δυνατή η φόρτιση.	Η μπαταρία δεν είναι (σωστά) τοποθετημένη. Οι επαφές της μπαταρίας έχουν μολυνθεί. Η μπαταρία είναι ελαττωματική.	Εισαγάγετε σωστά τη μπαταρία στο φορτιστή. Καθαρίστε τις επαφές της μπαταρίας ή αντικαταστήστε τη μπαταρία. Αντικαταστήστε την μπαταρία.
Η λυχνία ένδειξης φόρτισης της μπαταρίας δεν ανάβει.	Το φως του φορτιστή δεν είναι (σωστά) συνδεδεμένο. Η πρίζα, το καλώδιο τροφοδοσίας ή ο φορτιστής έχουν πάθει βλάβη.	Εισαγάγετε (πλήρως) το φως του καλωδίου στην πρίζα στον τοίχο. Ελέγξτε την τάση του ρεύματος. Πηγαίνετε το φορτιστή για έλεγχο σε έναν εξουσιοδοτημένο αντιπρόσωπο σέρβις.

Δεν λειτουργεί η αυτόματη τροφοδοσία γραμμής	Το νήμα κοπής δεν είναι καλά τυλιγμένο. Το νήμα έχει μπλοκάρει. Το νήμα έχει φθαρεί.	Τραβήξτε με το χέρι σας το νήμα, αν δεν μπορείτε αφαιρέστε το πηνίο και τυλίξτε το νήμα. Αντικαταστήστε με ένα νέο πηνίο νήματος.
--	--	--

## ΔΗΛΩΣΗ ΣΥΜΜΟΡΦΩΣΗΣ

Εμείς,  
Positec Germany GmbH  
Grüner Weg 10, 50825 Cologne, Germany

Δηλώνουμε ότι το προϊόν,  
Περιγραφή **Ασύρματο χλοοκοπτικό**  
Τύπος **WG183E WG183E.9 (1-Ονομασία μηχανήματος, αντιπροσωπευτική για Ασύρματο χλοοκοπτικό)**  
Αξίωμα **κοπή χόρτων και παρόμοιας μαλακής βλάστησης, και τριμάρισμα γρασιδιού**

Συμμορφώνεται με τις παρακάτω Οδηγίες,  
**2006/42/EC, 2014/30/EU, 2011/65/EU & (EU) 2015/863, 2000/14/EC τροποποιήθηκε από την 2005/88/EC**

2000/14/EOK τροποποιήθηκε από την 2005/88/EOK:  
-Διαδικασία Αξιολόγησης Συμβατότητας σύμφωνα με **Annex VI**  
-Μετρημένο επίπεδο τάσης ήχου **90.2 dB (A)**  
-Δηλωμένο εγγυημένο επίπεδο τάσης ήχου **94 dB (A)**

Ο εμπλεκόμενος αναγνωρισμένος οργανισμός  
**Όνομα: ISET S.r.l. Unipersonale**  
**Διεύθυνση: Sede Legale e Uffici Via Donatori di sangue,9 – 46024 Moglia (MN)**

Πρότυπα συμμόρφωσης:  
**EN 60335-1, EN 50636-2-91, EN 62233, EN ISO 3744, EN 55014-1, EN 55014-2**

Το πρόσωπο που έχει εξουσιοδότηση να συντάξει το τεχνικό αρχείο,  
**Όνομα Marcel Filz**  
**Διεύθυνση Positec Germany GmbH**  
**Grüner Weg 10, 50825 Cologne, Germany**




2020/07/28  
Allen Ding  
Βοηθός Αρχιμηχανικός, Δοκιμές & Πιστοποιήσεις  
Positec Technology (China) Co., Ltd  
18, Dongwang Road, Suzhou Industrial  
Park, Jiangsu 215123, P. R. China

## **BIZTONSÁGOS TERMÉKHASZNÁLAT ÁLTALÁNOS FIGYELMEZTETÉSEK**



**FIGYELEM** Olvasson el minden biztonsági figyelmeztetést és valamennyi utasítást.

**A figyelmeztetések és utasítások figyelmen kívül hatása áramütést, tüzet és/vagy súlyos sérülést eredményezhet.**

**Őrizzen meg minden figyelmeztetést és utasítást, a jövőben szüksége lehet ezekre.**

A készülék kizárólag a vele együtt szállított táppal használható.

### **FONTOS HASZNÁLAT ELŐTT FIGYELMESEN OLVASSA EL ŐRIZZE MEG, KÉSŐBB SZÜKSÉGE LEHET RÁ**

#### **A biztonságos működtetés gyakorlata**

##### **1. Tájékozódás**

- figyelmesen olvassa el az utasításokat. Ismerkedjen meg a vezérlógombokkal, és a készülék megfelelő használatával.
- Soha ne engedje meg, hogy a gépet gyermekek,

csökkent fizikai, érzékszervi vagy mentális képességű, illetve tapasztalattal nem rendelkező vagy a jelen utasításokat nem ismerő személyek használják; a működtető életkorára vonatkozóan helyi korlátozások lehetnek érvényben.

- ne feledje, hogy a készüléküzemeltetője vagy használója felel a másokat ért balesetek vagy az őket ért károk miatt.

##### **2. Előkészítés**

- Használat előtt mindig alaposan vizsgálja meg, hogy az eszköz nem sérült-e, nem hiányoznak-e róla védőelemek, illetve ezek helyzete megfelelő-e.
- Soha ne működtesse a gépet, ha mások (különösen gyerekek), esetleg állatok vannak a közelben.

##### **3. Működtetés**

- A készülék működtetéséhez viseljen szemvédőt, hosszú nadrágot és erős cipőt.
- Ne használja a gépet rossz időjárási viszonyok között, különösen, ha fennáll a villámlás veszélye.
- A gépet csak nappal vagy jó

mesterséges fény mellett használja.

- d) Sohasse üzemeltesse az akkumulátoros fűszegélynyírót megrongálódott fedéllel vagy biztonsági berendezésekkel, vagy ha ezeket levették a berendezésről.
- e) A motort csak akkor kapcsolja be, amikor a kezek és lábak távol vannak a vágórésztől.
- f) Mindig csatlakoztassa le az áramforrásról a gépet (pl. vegye ki belőle az akkumulátort), ha
  - 1) a gépet felügyelet nélkül hagyja;
  - 2) a beékelődések elhárítása előtt;
  - 3) mielőtt a kerti kisgépet ellenőrizné, megtisztítaná, vagy azon valamilyen munkát végezne;
  - 4) egy idegen testtel való ütközés után.;
  - 5) ha a gép rendellenes módon rezegni kezd.
- g) Vigyázzon a kezeire és lábaira, hogy a vágórész sérülést ne okozzon.
- h) Mindig gondoskodjon arról, hogy a szellőzőnyílások szabadon maradjanak a fűmaradványoktól.
- i) Ehhez a fűszegély-nyíróhoz

sohasse használjon fém vágókést.

- j) lejtőn mindig vigyázzon, hogy hova lép.
- k) lépkedjen, sose szaladjon.
- l) Ne nyújtózkodjon, és mindig vigyázzon az egyensúlyára.
- m) Ne érintse meg a mozgó, veszélyes alkatrészeket azelőtt, hogy az akkumulátort kivette volna a gépből, és a mozgó veszélyes alkatrészek teljesen leálltak volna.

#### **4. Karbantartás és tárolás**

- a) Karbantartás vagy tisztítás előtt csatlakoztassa le a gépet az áramforrásról (pl, vegye ki belőle az akkumulátort).
- b) Csak a gyártó által javasolt cserealkatrészeket és tartozékokat használja.
- c) Rendszeresen vizsgálja át és tartsa karban a gépet. A javítást mindig bízza szakszervizre.
- d) Használaton kívül tárolja a gépet gyermekektől távol.

#### **AKKUMULÁTOR BIZTONSÁGA AZ AKKUMULÁTORRAL KAPCSOLATOS BIZTONSÁGI FIGYELMEZTETÉSEK**

- a) Az akkumulátort ne szedje szét, ne nyissa fel és ne vágja meg.**

- b) Ne zárja rövidre az akkumulátort. Az akkumulátorokat ne tárolja olyan dobozban vagy fiókban, ahol rövidre zárhatják egymást, vagy valamilyen vezető anyag a rövidzárlatukat okozhatja.**  
Az akkumulátorokat használaton kívül tartsa a fémtárgyaktól, például gemkapcsoktól, pénzerméktől, kulcsoktól, szögektől, csavaroktól vagy más kis fémtárgyaktól távol, mert ezek összekapcsolhatják a pólusokat. Az akkumulátor pólusainak rövidzárlata égés- és tűzveszélyes.
- c) Ne tegye ki hőnek vagy tűznek az akkumulátort. Ne tárolja közvetlen napfényben.**
- d) Az akkumulátort ne tegye ki ütésnek.**
- e) Ha az akkumulátor szivárog, vigyázzon, hogy a folyadék ne kerüljön a bőrre vagy szembe. Amennyiben a bőrre vagy szembe kerül, az érintett területet mossa le bő vízzel, és forduljon orvoshoz.**
- f) Az akkumulátor vagy egy cella lenyelése**  
esetén azonnal forduljon orvoshoz.
- g) Vigyázzon, hogy az akkumulátor tiszta és száraz maradjon.**
- h) Ha az akkumulátor pólusaira szennyeződés kerül, azt egy tiszta, száraz ruhával törölje le.**
- i) Az akkumulátort használat előtt fel kell tölteni. A töltést mindig az utasításoknak megfelelően, helyes eljárást használva végezze.**
- j) Használaton kívül ne hagyja töltőn az akkumulátort.**
- k) Hosszan tartó tárolást követően a maximális teljesítmény elérése érdekében szükséges lehet, hogy az akkumulátort többször feltöltse és lemerítse.**
- l) Az akkumulátor szobahőmérsékleten (20 °C ± 5 °C) használva nyújtja a legjobb teljesítményt.**
- m) Az akkumulátorok ártalmatlanításakor a különböző elektrokémiai rendszereket különítse el egymástól.**
- n) Csak a Worx által javasolt**

**töltővel töltsse fel. Kizárólag a készülékhez való használatra mellékelt töltőt használja.** Ha egy adott akkumulátorhoz megfelelő töltőt másik akkumulátorral használ, az tűzveszélyes lehet.

- o) Ne használjon a készülékkel való használatra tervezettől eltérő akkumulátort.**
- p) Az akkumulátor gyermekektől távol tartandó.**
- q) Őrizze meg a termékhez mellékelt utasításokat, a későbbiekben szüksége lehet ezekre.**
- r) Amikor a szerszámot nem használja, vegye ki belőle az akkumulátort.**
- s) Ártalmatlanításnál megfelelően járjon el.**
- t) Ne helyezzen be különböző gyártóktól származó, illetve eltérő kapacitású, méretű vagy típusú akkukat a készülékbe.**
- u) Az akkucsomag csomagolását csak közvetlenül a használat előtt távolítsa el.**
- v) Figyeljen az akkun látható (+) és mínusz (-) polaritású jelzésekre az akku előírt**

**használatára érdekében.**

## SZIMBÓLUMOK

	Olvassa el a kezelői kézikönyvet
	A közelben ne állodgáljon senki
	Viseljen szem- és fülvédőt
	Ne tegye ki esőnek
	A leselejtezett elektromos készülékek nem dobhatók ki a háztartási hulladékkal. Ha van a közelben elektromos hulladék gyűjtő udvar, vigye oda a készüléket. Az újrahasznosítási lehetőségekről tájékozódjon a helyi hatóságoknál vagy a kereskedőnél.
	Lítium-ion akkumulátor. A terméken található szimbólum arra utal, hogy minden akkumulátorcsomagot külön kell gyűjteni. Ezeket aztán újrahasznosítják vagy szétszerelik, hogy csökkentsék a környezetre gyakorolt hatását. Az akkumulátorcsomag veszélyes lehet a környezetre és az emberi egészségre nézve, mivel veszélyes anyagokat tartalmaz.
	Az akkumulátor nem megfelelő leselejtezés esetén bekerülhet a víz körforgásba, ami veszélyes lehet az ökoszisztémára nézve. A hulladék akkumulátort ne dobja a kommunális hulladékba.
	Ne dobja tűzbe

	Viseljen védőkesztyűt.
	Gondoskodjon arról, hogy az akkumulátort eltávolította az alkatrészek cseréjét megelőzően.
	Szélezés
	Zár
	Nyit
	Helyes
	Helytelen

## AZ ALKATRÉSZEK LISTÁJA

<b>1. AKKUMULÁTOR *</b>
<b>2. KI-/BEKAPCSOLÓ GOMB</b>
<b>3. FELSŐ KAR</b>
<b>4. FOGANTYÚ POZÍCIONÁLÁSI GOMB</b>
<b>5. ALSÓ SZÁR PÁROSÍTÁS</b>
<b>6. BIZTONSÁGI LAP</b>
<b>7. ZSINÓRADAGOLÓ GOMB</b>
<b>8. ZSINÓRVÁGÓ</b>
<b>9. KIEGÉSZÍTŐ KAR</b>
<b>10. LEZÁRÓ GOMB</b>
<b>11. AKKU TÖLTÖTTÉG JELZŐ</b>
<b>12. VÁGÓFEJ (LÁSD AZ I ÁBRÁT)</b>
<b>13. ORSÓVÉDŐ KUPAK (LÁSD AZ J ÁBRÁT)</b>
<b>14. KUPAKKIOLDÓ KAR (LÁSD AZ JÁBRÁT)</b>
<b>15. TEKERCS (LÁSD J ÁBRÁT)</b>

## 16. BEFOGÓ GYŰRŰ (LÁSD J ÁBRÁT)

\* Nem minden készülék tartalmazza valamennyi, a fentiekben felsorolt alkatrészt.

## MŰSZAKI ADATOK

Típus **WG183E WG183E.9 (1-gép megnevezése, Vezeték nélküli fűvágó példánya)**

	WG183E	WG183E.9
Feszültség	40 V $\approx$ MAX (2x20 V MAX) **	
Üresjárat fordulatszám	6800 /min	
Vágási átmérő	33 cm	
Zsinórátmérő	1.65 mm	
Damilhossz	5 m (Kettős kimenet)	
Akkumulátor típusa	Lithium-ion	/
Akkumulátor- típus	WA3551.1(2.0 Ah)	/
Töltő típusa	WA3772	/
Töltő besorolása	Bemenet:100-240 V~50/60 Hz, 50 W Kimenet 1: 20V $\approx$ , 2.0 A*** Kimenet 2: 20V $\approx$ , 2.0 A***	/
Töltésidő (Kb.) Akkumulátor: 2.0 Ah (1 pc) 2.0 Ah (2 pcs)	65 mins 130 mins	/
A gép súlya	2.9 kg	2.2 kg

\*\*Terhelés nélküli feszültség. Az akkumulátor kezdő feszültsége maximum 20 volt. A névleges feszültség 18 volt.

\*\*\*A töltő 1-es és 2-es kimenete alatt két olyan portot értünk, amelyek egyforma feszültséget és áramerősséget szolgáltatnak.

## TARTOZÉKOK

	WG183E	WG183E.9
Akkumulátor(WA3551.1)	2	/
Töltőkészülék (WA3772)	1	/
Tekercs (WA0007)	1	1

Orsódvédő kupak (WA0216)	1	1
Biztonsági lap	1	1
Kiegészítő kar	1	1

Javasoljuk, hogy a tartozékokat ugyanaból a boltból vásárolja meg, ahol a szerszámot is vásárolta. További részleteket a tartozék csomagolásán talál. Kérjen segítséget és tanácsot a bolti eladótól.

## ZAJÉRTÉKEK

A-súlyozású hangnyomásszint  $L_{pA} = 75.8 \text{ dB(A)}$

$K_{pA}$  3.0 dB(A)

A-súlyozású hangerő  $L_{WA} = 90.2 \text{ dB(A)}$

$K_{WA}$  3.0 dB(A)

Viseljen hallásvédőt.



## REZGÉSÉRTÉKEK

Tipikus súlyozott rezgés  $a_h < 2.5 \text{ m/s}^2$

Bizonytalanság  $K = 1.5 \text{ m/s}^2$

A hivatalos összesített rezgésszint a szerszámok összehasonlítására, illetve a kitérés előzetes felmérésére használható.

**FIGYELEM:** Az elektromos kéziszerszám használata során a rezgés kibocsátás eltérhet a fenti értéktől attól függően, hogy a szerszámot hogyan használják. Az érték függhet az alábbiaktól:

Hogyan használják a szerszámot, milyen anyagokat vágnak vagy fúrnak.

Az eszköz jó állapotban van-e, megfelelően karbantartják-e.

Megfelelő tartozékokat használnak-e az eszközhöz, vigyáznak-e, hogy éles legyen és jó állapotban maradjon. A fogantyú megfelelően rögzül-e, használnak-e rezgéscsillapító tartozékokat.

A szerszámot rendeltetésszerűen, kialakításának és a jelen utasításoknak megfelelően használják-e.

**Ha a szerszámot nem kezelik megfelelően, kéz-kar vibrációs szindrómát okozhat.**

**FIGYELEM:** A pontosság érdekében az expozíciós szint becslést értékekhez a valós használati körülmények között figyelembe kell venni a működési ciklus valamennyi elemét, így azt az időt is, amikor a szerszám ki van kapcsolva, és amikor üresjáratban működik. Ez a teljes munkaidőszak viszonylatában jelentősen csökkentheti az expozíciós szintet. A rezgéskockázatnak való kitétséget az alábbiakkal

csökkentheti:

MINDIG éles vésőt, pengét, és hegyes fúrófejet használjon. Az eszközöt jelen utasításoknak megfelelően tartsa karban, és vigyázzon a megfelelő kenésre (ahol erre szükség van). Ha rendszeresen használja az eszközt, vásároljon rezgéscsillapító tartozékokat.

Úgy tervezze meg a munkáját, hogy a magas rezgésszámú eszközök használatát igénylő feladatokat több napra ossza el.

## ÖSSZESZERELÉS ÉS MŰKÖDÉS

MŰVELET	ÁBRA
<b>ÖSSZESZERELÉS</b>	
A nyírótengely összeszerelése	Lásd az A ábrát
A kiegészítő fogantyú összeszerelése	Lásd az B ábrát
A Biztonsági Lap Összeszerelése	Lásd az C ábrát
Az Akkumulátor Eltávolítása Vagy Behelyezése <b>MEGJEGYZÉS:</b> • Ez a fűnyírógép csak mindkét akku beszerelése után működik. Kérjük, hogy mindig ugyanazt a két akkut használja, és hogy mindig egyidőben töltsé fel őket. • Amennyiben eltérő teljesítményű akkumulátorokat használ, a gép csak az alacsonyabb közös teljesítményen fog dolgozni.	Lásd az D1, D2 ábrát
Az akkumulátor feltöltése <b>MEGJEGYZÉS:</b> • A csomagolásban található elem töltetlen állapotú. Az első fűnyírás előtt az akkut teljesen fel kell tölteni. • A két akkut mindig egyidőben és teljesen töltsé fel. További részletek a töltés használati útmutatójában.	Lásd az D3 ábrát
Akku töltöttségi állapot jelző a fűnyírón Lásd a részleteket az AKKU ÁLLAPOTA című fejezetben	Lásd az D4 ábrát
<b>MŰKÖDÉS</b>	
Ki-/bekapcsoló gomb <b>FIGYELEM!</b> A vágófeje a kikapcsolást követően tovább forog; várja meg, amíg teljesen leáll, és csak ekkor tegye le a szerszámot.	Lásd az E ábrát
Szélezés	Lásd az F ábrát
- A kiegészítő kar beállítása	Lásd az G ábrát



A zsinór kézi adagolása	Lásd az H ábrát
A kupak eltávolítása	Lásd az I ábrát
Vágófej	Lásd az J ábrát
A damiltartó orsó cseréje	Lásd az K, L ábrát
A zsinór kézi feltekérése	Lásd az M, N, O, P ábrát

### AKKUMULÁTOR ÁLLAPOTJELZŐ LED-JE (Lásd az D4 ábrát)

Az akku feltöltöttségi szintjének ellenőrzése végett, nyomja meg az akku feltöltöttségintéjéző jelző lámpa mellett található gombot a gép elindítása előtt vagy a gép használata után. A gép használata közben az akkucsomag feltöltöttségi szintje automatikusan megjelenik az akku feltöltöttségi állapotát jelző lámpán. A jelzőlámpa folyamatosan érzékeli, és u-csak folyamatosan jelzi ki az akkucsomag feltöltöttségi állapotát.

Azoknál a gépeknél, amelyek akkucsomagja két eltérő feltöltöttségi szintű akkut tartalmaz, az akku feltöltöttségi állapotát jelző lámpa az alacsonyabb feltöltöttségi szinttel rendelkező akku állapotát fogja jelezni.

Az akkumulátor feltöltöttségi szintjét jelző mutató	Az akku állapota
Mind az öt zöld fényű LED ég (■ ■ ■ ■ ■).	Mindkét akku nagyon fel van töltve.
Két, három vagy négy zöld fényű LED ég.	A két akkuban még elegendő energia van. Minél több LED ég, az akkuk annál jobban fel vannak töltve.
Csak egy zöld fényű LED ég (■ □ □ □ □).	Minimum egy akku le van merülve, és fel kell tölteni.
Egyetlen zöld fényű LED sem ég.	Minimum egy akku nincs megfelelően behelyezve vagy valamelyik akku hibás.
Az egyik LED kétszer villog egy ciklus alatt.	Minimum egy akku teljesen lemerült (kérjük, hivatkozzon az akku feltöltöttségi állapota című fejezetre), ezért kérjük, hogy használat vagy tárolás előtt mindkét akkut egyszerűen tölts fel.
Az egyik LED háromszor villog egy ciklus alatt.	Használat közben minimum egy akku felhevült, ezért várja meg a lehűlését/lehűlésüket, mielőtt ismét folytatná a munkát.
Az egyik LED négyszer villog egy ciklus alatt.	A gép túlterhelt. Húzza el a gépet a vágási övezetből, majd próbálkozzon újra.

## HASZNÁLATI UTASÍTÁSOK



**FIGYELEM!** A töltőt és az akkumulátort kifejezetten egymáshoz tervezték, ezért ne próbálkozzon más eszköz használatával. Soha ne helyezzen fémtárgyakat a töltőbe vagy az akkumulátorba, és ne engedje, hogy azokba fémtárgyak jussanak, mivel ez elektromos meghibásodáshoz vezet, és veszélyes.

### 1. Automatikusan damilpótló rendszer

A fűnyíró legelső bekapcsolásakor egy rövid damildarab nyomódik a gépbe.

Egy pillanatilag egy 'kattogó' hang fog hallatszani. Ez egy normális folyamat része és ezt a damilvágó szerkezet okozza, amikor a benyomott damilt méretre vágja. Miután megtörtént a damil megfelelő méretre való levágása, a 'kattogó' zaj elhallgat és a trimmer motorja teljes fordulatszámra kapcsol.

Csak akkor lehet több damilt engedni a gépbe miután az teljesen leállt; ha a gép teljesen leállt, azt ismét el kell indítani, és meg kell várni amíg teljes fordulatszámra kapcsol. Addig ismétlje a fenti lépéseket amíg meghallja, hogy a damil nekiűződik a damilvágó résznek. (Ezt az eljárást csak max. 6-szor szabad megismételni).

### 2. A zsinórtartó orsó cseréje (Lásd az H ábrát)

Nyomja meg, majd engedje el a kézi damilpótlást vezérlő gombot, miközben finoman húzzon damilt egészen addig, amíg az a damilvágó szerkezethez ér.

Ha az első szükséges damilhossz megvan, finoman húzza kifelé a második damilt (itt nem kell ismét megnyomnia a kézi damilpótlást vezérlő gombot). Ha a damil a damilvágó szerkezeten túl nyúlik, túl sok damilt tekint le.

Ha túl sok damilt tekint le, vegye le a vágófej burkolatát és a damiltartó orsót addig forgassa az óramutatók járásával ellentétes irányba, amíg a damilhossz megfelelő lesz.

### A kupak eltávolítása (Lásd az I ábrát)

Nyomja meg és tartsa megnyomva a kupak két zárnyelvét. Húzza le a vágófej kupakját a vágófejről. Tartsa tisztán a kupakot és az orsótartót. A kupak visszahelyezése: erőteljesen nyomja rá az orsótartóra. Bizonyosodjon meg, hogy a kupak megfelelően beakadt. Erről úgy győződhet meg, ha megpróbálja lehúzni a kupakot a két zárnyelv megnyomása nélkül.

### A damiltartó orsó cseréje (Lásd az K és L ábrákat)

Először vegye le a kupakot és távolítsa el a régi orsót.

Húzza át az első damilt a gyűrűn, majd ismétlje meg a műveletet a második damillal is (Lásd az L ábrát). Húzzon damilt az orsó tengelyéről. Helyezze vissza a kupakot.

**FIGYELMEZTETÉS!** Trimmerjét maximum 1,65 mm-es átmérőjű damillal való használatra tervezték. Csakis damilt használjon!

**FONTOS** – A damilt először mindig az orsó felső bakjára tekerje fel.

### 3. A damil kézi feltekérése (Lásd az M, N, O és P ábrákat)

Vegyen kb. 5 m damilt és dugjon egy 15 mm-es hosszúságú véget az orsó felső részének valamelyik furatába. Tekerje fel a damilt az orsó felső bakjára a nyílakkal jelzett irányban.

Hagyjon feltekeretlenül egy kb. 100 mm-es damildarabot, és helyezze az orsó bakjára. Ismétlje meg ugyanezt az orsó alsó részénél is.

A damilt gondosan, párhuzamos sorokban kell feltekerni az orsóra. Ha a damilt összevissza tekerke

fel, az negatívan fogja befolyásolni az automatikus dämilpótási folyamat hatékonyságát. Ezt követően illessze a helyére az orsót a "A dämiloros cseréje" fejezetben ismertett módon.

## A SZEGÉLYVÁGÓ TÁROLÁSA



**Használat után mindig vegye ki az akkumulátort a szegélyvágóból.**

### A Fűnyírógép tárolása

A fűnyírógépet fali felaggatásra és fali tárolásra szolgáló nyílással is ellátták. (Lásd az Q ábrát)

Olyan száraz helyen tárolja a gépet, ahol a fűnyírógép és akkuja védett a károsodás ellen.

## KARBANTARTÁS



**Használat után mindig vegye ki az akkumulátort a szegélyvágóból.**

## HIBAKERESÉS

A következő táblázatban a hibatünetek, azok lehetséges okai és elhárításuk módja található, olyan esetekre, amikor a kerti kisgép nem működik kifogástalanul.



**FIGYELEM:** A hibakeresés előtt kapcsolja ki a kerti kisgépet és vegye ki belőle az akkumulátort.

Tünetek	Lehetséges ok	Elhárítás módja
A szegélyvágó nem működik.	Az akkumulátor lemerült. Az akkumulátor túl forró/túl hideg. A motor megsérült. A szerszám belső vezetékézése megsérült.	Töltse fel az akkumulátort; olvassa el a töltő kézikönyvében leírtakat is Várja meg, amíg lehűl/felmelegszik. Vegye fel a kapcsolatot a szervizzel. Vegye fel a kapcsolatot a szervizzel.
A szegélyvágó működése szakadozik.	A motor megsérült. Az akkumulátor nincs teljesen feltöltve. A ki-/bekapcsoló gomb nem működik megfelelően.	Vegye fel a kapcsolatot a szervizzel. Töltse fel az akkumulátort. Vegye fel a kapcsolatot a szervizzel.
Túl erős a rezgés/zaj.	A szerszám meghibásodott. A zsinórtekercs nincs megfelelően tekercselve.	Vegye fel a kapcsolatot a szervizzel. Tekercselje újra a zsinórt. Lásd "A zsinór kézi feltekercése" című részt.
Egy töltéssel túl rövid ideig használható a szerszám.	Az akkumulátort hosszú ideje nem használta, vagy csak rövid ideig töltötte. Túl magas a fű. Az akkumulátor meghibásodott.	Töltse fel teljesen az akkumulátort; lásd a töltő kézikönyvében leírtakat is Szakaszosan vágja a fűvet. Cserélje ki az akkumulátort.
A szerszám nem vág.	Elszakadt a zsinór. Az akkumulátor nincs teljesen feltöltve. A motor megsérült (túl alacsony a sebesség). A fű felgyülemllett a vágófej körül.	Cserélje ki a zsinórt. Töltse fel az akkumulátort; olvassa el a töltő kézikönyvében leírtakat is Vegye fel a kapcsolatot a szervizzel. Vegye ki a fűvet.

## Használat előtt mindig ellenőrizze, hogy a szerszám nem sérült-e.

Használat után mindig vegye ki az akkumulátort a szegélyvágóból.

Az elektromos kéziszerszámot nem szükséges megkenni vagy karbantartani. A szerszám nem tartalmaz a felhasználó által javítható alkatrészeket. Soha ne használjon vizet vagy vegyi tisztítószereket a szerszám tisztításához. Törölje tisztára egy száraz ronggyal. A szerszámot mindig száraz helyen tárolja. Tartsa tisztán a motor szellőzőnyílásait. Minden szabályozóeszközt tartson pormentesen.

## KÖRNYEZETVÉDELEM



A leselejtezett elektromos készülékek nem dobhatók ki a háztartási hulladékkal. Ha van a közelben elektromos hulladék gyűjtő udvar, vigye oda a készüléket. Az újrahasznosítási lehetőségekről tájékozódjon a helyi hatóságoknál vagy a kereskedőnél

Az akkumulátor töltésszjelzője folyamatosan világít Az akkumulátor nem töltődik.	Az akkumulátor nincs (megfelelően) behelyezve. Az akkumulátor pólusain szennyeződés található.  Az akkumulátor meghibásodott.	Helyezze be megfelelően az akkumulátort a töltőbe. Tisztítsa meg az akkumulátor pólusait (pl. úgy, hogy többször behelyezi, majd kiveszi az akkumulátort), vagy cserélje ki az akkumulátort. Cserélje ki az akkumulátort.
Az akkumulátortöltő jelzőfénye nem világít.	Az akkumulátortöltő dugója nincs (megfelelően) behelyezve. Az aljzat, az áramvezeték vagy az akkumulátortöltő sérült.	Helyezze be (teljesen) a dugót az aljzatba  Ellenőrizze a feszültséget; ellenőriztesse az akkumulátortöltőt egy szakszervizzel.
Nem működik az automatikus betöltés	A vágózsínór nincs megfelelően tekercselve. A zsinór összegubancolódott. A zsinór elhasználódott.	Adagolja a zsinórt kézzel - ha így sem adagolható, vegye ki a tekercset, és tekercselje újra a zsinórt. Cserélje ki egy új tekercsre.

## MEGFELELŐSÉGI NYILATKOZAT

A gyártó,  
Positec Germany GmbH  
Grüner Weg 10, 50825 Cologne, Germany

Kijelenti, hogy a termék  
Leírás **Vezeték nélküli fűvágó**  
Típus **WG183E WG183E.9 (1-gép megnevezése, Vezeték nélküli fűvágó példánya)**  
Rendeltetés **Fűnyírás és más hasonlóan puha növények nyírása, füves területek szélének a nyírása**

Megfelel a következő irányelveknek,  
**2006/42/EC, 2014/30/EU, 2011/65/EU&(EU)2015/863, 2000/14/EC módosítva: 2005/88/EC**

2000/14/EC módosítva: 2005/88/EC:  
- Megfelelőség-ellenőrző eljárás a **VI függelék értelmében**  
- Mért hangerő-szint **90.2 dB (A)**  
- Garantált hangerő-szint **94 dB (A)**

Tanúsítási szervezet  
**Név: ISET S.r.l. Unipersonale**  
**Cím: : Sede Legale e Uffici Via Donatori di sangue,9 – 46024 Moglia (MN)**

Az alábbi normáknak:  
**EN 60335-1, EN 50636-2-91, EN 62233, EN ISO 3744, EN 55014-1, EN 55014-2**

A műszaki dokumentáció összeállítására jogosult személy:

**Név: Marcel Filz**  
**Cím: Positec Germany GmbH**  
**Grüner Weg 10, 50825 Cologne, Germany**



2020/07/28  
Allen Ding  
Helyettes főmérnöke, Tesztelés és minősítés  
Positec Technology (China) Co., Ltd  
18, Dongwang Road, Suzhou Industrial Park, Jiangsu 215123, P. R. China



## **SECURITATEA PRODUSULUI AVERTISMENTE GENERALE DE SIGURANȚĂ**



**AVERTISMENT Citiți  
toate avertismentele  
de siguranță și toate  
instrucțiunile.** În caz de

nerespectare a avertismentelor  
și instrucțiunilor, există riscul  
electrocutării, izbucnirii  
incendiilor și/sau al accidentării  
grave.

**Păstrați toate avertismentele  
și instrucțiunile pentru  
consultări ulterioare.**

Această instalație poate fi  
utilizată doar cu unitatea de  
alimentare care a fost livrată cu  
această instalație.

### **IMPORTANT CITIȚI CU ATENȚIE ÎNAINTE DE UTILIZARE PĂSTRAȚI PENTRU CONSULTĂRI ULTERIOARE**

**Practici de utilizare în  
siguranță**

#### **1. Instruirea**

- Citiți cu atenție instrucțiunile.  
Familiarizați-vă cu comenzile  
și cu utilizarea corectă a  
echipamentului.
- Nu permiteți niciodată  
copiiiilor sau persoanelor cu  
capacități fizice, senzoriale

sau mentale mai reduse,  
respectiv celor lipsiți de  
experiență și de cunoștințe  
necesare și nici oamenilor  
nefamiliarizați cu aceste  
instrucțiuni să utilizeze  
mașina. Reglementările  
locale pot îngreuna și vârsta  
operatorului.

- Rețineți că operatorul sau  
utilizatorul este responsabil  
pentru accidente sau  
pericolele care implică alte  
persoane sau proprietatea  
acestora.

#### **2. Pregătirea**

- Înainte de utilizare inspectați  
întotdeauna vizual mașina  
pentru a descoperi apărători  
deteriorate, lipsă sau  
amplasate greșit.
- Nu utilizați mașina dacă în  
apropierea lui se află diferite  
persoane (mai ales copii) sau  
animale.

#### **3. Funcționarea**

- Purtați întotdeauna ochelari  
de protecție, pantaloni lungi și  
încălțăminte rezistentă atunci  
când utilizați mașina.
- Evitați utilizarea mașinii în  
condiții meteo nefavorabile,  
mai ales atunci când există  
riscul unor fulgere.
- Utilizați mașina ziua

sau în lumină artificială corespunzătoare.

- d) Niciodată nu operați mașina cu apărătorile stricate sau fără apărători.
- e) Porniți motorul numai atunci când mâinile și picioarele dvs. se află la distanță sigură de elementele de tăiere.
- f) Deconectați întotdeauna mașina de la alimentarea electrică dacă (de ex.: scoaterea acumulatorului din mașină)
  - 1) mașina rămâne nesupravegheată;
  - 2) înainte de eliberarea unui blocaj;
  - 3) înainte de a controla, curăța sau lucra cu mașina;
  - 4) după ce ați lovit un obiect străin;
  - 5) dacă mașina începe să vibreze anormal.
- g) Feriți-vă mâinile și picioarele de elementele tăietoare.
- h) Asigurați-vă întotdeauna că deschizăturile de ventilație sunt ținute curate de resturi;
- i) Nu potriviți niciodată elemente de tăiere din metal.
- j) Acordați întotdeauna atenție atunci când vă deplasați pe suprafețe înclinate.
- k) Mergeți, nu alergați niciodată.
- l) Nu vă întindeți peste măsură

cu mașina și păstrați-vă echilibrul întotdeauna.

- m) Nu atingeți piesele periculoase aflate în mișcare înainte de a scoate acumulatorul și înainte ca acestea să se oprească complet.

#### **4. Întreținerea și depozitarea**

- a) Opriti alimentarea electrică a mașinii (de ex.: scoateți acumulatorul din mașină) înainte de a efectua vreo operațiune de întreținere sau curățare a mașinii.
- b) Utilizați exclusiv piesele de schimb și accesoriile recomandate de fabricantul mașinii.
- c) Inspectați și întrețineți mașina în mod regulat. Reparați mașina doar cu ajutorul service-ului autorizat.
- d) Dacă nu este utilizată, păstrați mașina într-un loc ferit de accesul copiilor.

#### **SIGURANȚA BATERIEI AVERTISMENTE PRIVIND SIGURANȚA PENTRU ACCUMULATOR**

**a) Nu demontați, deschideți sau rupeți elementele sau acumulatorul.**

**b) Nu scurtcircuitați un**

**acumulator. Nu depozitați acumulatorile la întâmplare într-o cutie sau într-un sertar unde s-ar putea scurtcircuita între ele sau prin materiale conductoare.** Când bateria nu este în uz, țineți-o la distanță de alte obiecte metalice, cum sunt agrafele pentru hârtie, monede, cuie, șuruburi sau alte obiecte metalice mici, care pot crea contact între bornele acesteia. Scurtcircuitarea bornelor bateriei poate cauza arsuri sau incendii.

**c) Nu expuneți acumulatorul la căldură sau foc. Evitați depozitarea în lumina directă a soarelui.**

**d) Nu supuneți acumulatorul la șocuri mecanice.**

**e) În cazul scurgerii acumulatorului, aveți grijă ca lichidul să nu intre în contact cu pielea sau ochii. În cazul contactului, spălați zona afectată cu apă din belșug și solicitați asistență medicală.**

**f) Consultați medicul imediat dacă ați înghițit un element sau un acumulator.**

**g) Mențineți acumulatorul**

**curat și uscat.**

**h) Ștergeți terminalele acumulatorului cu o cârpă curată și uscată dacă se murdăresc.**

**i) Acumulatorul trebuie încărcat înainte de utilizare. Consultați întotdeauna aceste instrucțiuni și utilizați procedura de încărcare corectă.**

**j) Nu încărcați acumulatorul atunci când nu îl utilizați.**

**k) După perioade extinse de depozitare, ar putea fi necesară încărcarea și descărcarea acumulatorului de mai multe ori pentru a obține performanțe maxime.**

**l) Acumulatorul oferă cele mai bune performanțe când este operat la temperatura normală a camerei (20 °C ± 5 °C).**










**m) Când depuneți la deșeuri acumulatorii, păstrați separat acumulatorii unor sisteme electrochimice diferite.**

**n) Reîncărcați folosind doar încărcătorul specificat de Worx. Un încărcător potrivit pentru un tip de cartuș de acumulatori poate provoca**

riscul incendierii dacă este folosit pentru un alt tip de cartuș de acumulatori.

- o) Nu utilizați acumulatori care nu sunt concepute pentru a fi utilizate cu acest echipament.**
- p) Nu lăsați acumulatorul la îndemâna copiilor.**
- q) Păstrați documentația originală a produsului pentru consultări ulterioare.**
- r) Îndepărtați acumulatorul din echipament atunci când nu îl utilizați.**
- s) Eliminați acumulatorul în mod corespunzător.**
- t) Nu introduceți în aparat acumulatori care provin de la producători diferiți sau cu capacități, dimensiuni sau tipuri diferite.**
- u) Nu scoateți pachetul de acumulatori din ambalajul lui original decât în momentul premergător utilizării acestuia.**
- v) Țineți cont de polaritatea (+) și (-) indicate pe acumulator pentru asigurarea utilizării corecte a acestuia.**

## SIMBOLURI

	Citiți manualul de utilizare
	Instruiți persoanele aflate în zonă să păstreze distanța.
	Protejați-vă vederea și auzul
	Feriți mașina de ploaie
	Produsele electrice nu trebuie depuse la deșeurile împreună cu gunoierul menajer. Vă rugăm să depuneți produsele electrice la unitățile de reciclare existente. Consultați-vă cu autoritățile locale sau cu distribuitorul pentru sfaturi privind reciclarea.
	Baterie Li-Ion. Acest produs a fost marcat cu simbolul referitor la 'colectarea separată' a tuturor blocurilor de baterii și a carcasi de baterie. Acestea vor fi apoi reciclate sau demontate pentru a se reduce impactul asupra mediului. Blocurile de baterii pot fi periculoase pentru mediu și sănătatea umană pentru că ele conțin substanțe periculoase.
	Bateriile pot intra în circuitul apei, dacă sunt lichidate incorect, fapt ce poate fi periculos pentru ecosistem. Nu lichidați deșeurile de baterii la fel ca deșeurile comunale nesortate.
	Nu ardeți
	Purtați mănuși de protecție



Asigurați-vă că acumulatorul este scos înaintea schimbării accesoriilor.



Tundere



Blocare



Deblocare



Corect



Incorect

## LISTA DE COMPONENTE

1. ACUMULATOR \*
2. ÎNTRERUPĂTOR PORNIT/OPRIT
3. ARBORE SUPERIOR
4. BUTON ROTATIV DE AJUSTARE A MÂNERULUI
5. CUPLAJ ARBORE INFERIOR
6. DISPOZITIV DE PROTECȚIE
7. BUTON DE ALIMENTARE
8. FREZĂ LINIARĂ
9. MÂNER AUXILIAR
10. BLOCAJ DE CONECTARE PENTRU
11. INDICATOR NIVEL DE ÎNCĂRCARE ACUMULATOR
12. CAP DE TĂIERE (CONSULTAȚI FIG.I)
13. CAPACUL BOBINEI CU FIR (CONSULTAȚI FIG. J)
14. PIEDICA DE BLOCARE/ELIBERARE A CAPACULUI (CONSULTAȚI FIG. J)
15. BOBINĂ (CONSULTAȚI FIG.J)

## 16. INEL DE AGĂȚARE (CONSULTAȚI FIG.J)

\* Nu toate accesoriile ilustrate sau descrise sunt incluse în livrarea standard.

## DATE TEHNICE

Tip **WG183E WG183E.9** (1- denumirea aparatului, reprezentantă pentru mașina de tuns iarba fără fir)

	WG183E	WG183E.9
Tensiune	40 V $\equiv$ MAX (2x20 V MAX) **	
Turație nominală la mers în gol	6800 /min	
Diametru de tăiere	33 cm	
Diametru linie	1.65 mm	
Lungimea firului:	5 m (leșire dublă)	
Tip acumulator	Litiu-ion	/
Model acumulator	WA3551.1(2.0 Ah)	/
Model încărcător	WA3772	/
Tensiune încărcător	Intrare: 100-240 V~50/60 Hz, 50 W leșire 1: 20 V $\equiv$ , 2.0 A*** leșire 2: 20 V $\equiv$ , 2.0 A***	
Timp încărcare (Aprox.) Acumulator: 2.0 Ah (1 pc) 2.0 Ah (2 pcs)	65 mins 130 mins	
Greutate	2.9 kg	2.2 kg

\*\* Tensiune măsurată în gol. Tensiunea inițială a bateriei atinge maximum 20 volți. Tensiunea nominală este de 18 volți.

\*\*\* leșirea nr.1 și nr. 2 a încărcătorului înseamnă două porturi care furnizează 2 tensiuni și 2 amperaje egale.

## ACCESORII


	WG183E	WG183E.9
Acumulator (WA3551.1)	2	/
Încărcător (WA3772)	1	/



Bobină (WA0007)	1	1
Capacul bobinei cu fir (WA0216)	1	1
Dispozitiv de protecție	1	1
Mâner auxiliar	1	1

Vă recomandăm să achiziționați accesoriile de la același magazin de la care ați cumpărat unealta. Consultați ambalajul accesoriului pentru detalii suplimentare. Personalul din magazin vă poate oferi asistență și sfaturi.

## INFORMAȚII PRIVIND ZGOMOTUL

Presiune sonoră ponderată A	$L_{pA} = 75.8 \text{ dB(A)}$
$K_{pA}$	3.0 dB(A)
Putere sonoră ponderată A	$L_{WA} = 90.2 \text{ dB(A)}$
$K_{WA}$	3.0 dB(A)
<b>Purtați echipament de protecție pentru urechi.</b>	

## INFORMAȚII PRIVIND VIBRAȚIILE

Vibrație ponderată tipică	$a_h < 2.5 \text{ m/s}^2$
Marjă de eroare	$K = 1.5 \text{ m/s}^2$

Valoarea totală declarată a vibrațiilor poate fi utilizată pentru compararea unei unelte cu o alta și, de asemenea, poate fi utilizată în cazul unei evaluări preliminare a expunerii.

**AVERTISMENT:** Valoarea emisiilor de vibrații în timpul utilizării efective a unelei electrice poate diferi de valoarea nivelului declarat, în funcție de modul în care unealta este utilizată, în funcție de următoarele exemple și alte variații privind utilizarea unelei: Modul în care este utilizată unealta și materialele tăiate sau găurite. Unealta să fie într-o stare bună și întreținută corespunzător. Utilizarea accesoriului corect pentru uneltă, fiind ascuțit și în bună stare de funcționare. Strângerea cu fermitate a mânerelor și utilizarea oricărui accesoriu anti-vibrații. Iar unealta este utilizată conform destinației de utilizare și acestor instrucțiuni.

**Această uneltă poate cauza sindromul vibrației mâinii-brațului dacă nu este utilizată corespunzător.**

**AVERTISMENT:** Pentru precizie, o estimare a nivelului de expunere în condițiile de utilizare reale trebuie de asemenea să țină cont de toate componentele ciclului de operare, precum momentele când unealta este oprită și când merge în gol, dar nu efectuează operația propriu-zisă. Acest lucru ar putea reduce semnificativ nivelul de expunere pe durata totală de lucru. Ajută la reducerea riscului de expunere la vibrații. Utilizați ÎNTOTDEAUNA dălți, burghie și lame ascuțite. Întrețineți unealta în conformitate cu aceste instrucțiuni și mențineți-o bine lubrifiată (dacă este cazul). Dacă uneltă va fi utilizată în mod regulat, investiții în accesorii anti-vibrații. Planificați-vă lucrul pentru a desfășura utilizarea uneltelor cu nivel ridicat de vibrații de-a lungul mai multor zile.

## ASAMBLARE ȘI OPERARE

AȚIUNE	FIGURA
<b>ASAMBLARE</b>	
Asamblarea axului mașinii de tuns	Consultați Fig. A
Asamblarea mânerului auxiliar	Consultați Fig. B
Asamblarea Apărătorii	Consultați Fig. C
Pentru A Demonta Sau Monta Acumulatorul <b>NOTĂ:</b> • <b>Această mașină de tuns iarba funcționează numai dacă ambele acumulateoare sunt instalate. Vă rugăm să utilizați întotdeauna aceleași acumulateoare și să le încărcați simultan.</b> • <b>Dacă utilizați un pachet de acumulateoare cu două acumulateoare de puteri diferite, mașina va funcționa cu cea mai mică putere comună.</b>	Consultați Fig. D1,D2
Încărcarea acumulatorului <b>NOTĂ:</b> • Acumulatorul este livrat neîncărcat. Acumulatorul trebuie încărcat complet înainte de prima operație de tundere a ierbii. • Încărcați complet și simultan cele două acumulateoare ale mașinii. Mai multe detalii în ghidul de utilizare al încărcătorului.	Consultați Fig. D3
Indicator de capacitate acumulator pe mașină Vezi detalii în paragraful: STAREA ACUMULATORULUI	Consultați Fig. D4
<b>OPERAȚIUNE</b>	
Înterupător pornit/oprit <b>AVERTISMENT!</b> Capul de tăiere continuă să se rotească după ce mașina de tuns a fost oprită, așteptați până când se oprește apoi lăsați jos aparatul.	Consultați Fig. E

Tundere	Consultați Fig. F
- Reglarea mânerului auxiliar	Consultați Fig. G
Pentru a alimenta manual cablul	Consultați Fig. H
Îndepărtarea capacului	Consultați Fig. I
Cap de tăiere	Consultați Fig. J
Înlocuirea bobinei cu fir	Consultați Fig. K, L
Pentru a bobina manual linia	Consultați Fig. M, N, O, P

### INDICATOARELE LED DE STARE ALE BATERIEI (Consultați Fig. D4)

Dacă doriți să aflați nivelul de încărcare al pachetului de acumuloare, apăsați butonul de lângă indicatorul luminos al nivelului de încărcare al pachetului de acumuloare înainte de utilizarea sau după utilizarea mașinii. În timpul utilizării mașinii, indicatorul luminos al nivelului de încărcare al pachetului de acumuloare va indica automat nivelul de încărcare al acestuia. Indicatorul luminos detectează și indică în mod constant starea pachetului de acumuloare. La mașinile care conțin un pachet de acumuloare în care puterea celor două acumuloare incluse diferă, indicatorul luminos al nivelului de încărcare indică nivelul de încărcare al acumulatorului cu nivelul de încărcare mai scăzut.

Indicatorul stării de încărcare a acumulatorului	Starea acumulatorului
Ard cinci LED-uri verzi (■ ■ ■ ■ ■).	Cele două acumuloare sunt încărcate foarte bine.
Ard două, trei sau patru LED-uri verzi.	Există energie în cele două acumuloare. Cu cât ard mai multe LED-uri verzi, acumuloarele dețin cu atât mai multă energie.
Doar un singur LED verde este aprins (■ □ □ □ □).	Cel puțin un acumulator este descărcat și trebuie reîncărcat.
Nu arde niciun LED.	Cel puțin un acumulator este instalat greșit sau este defect.
Doar un singur LED pâlpâie de două ori într-un ciclu.	Cel puțin un acumulator este complet descărcat (vă rugăm să vă referiți la paragraful care descrie starea de încărcare a acumulatorului). Vă rugăm să reîncărcați simultan cele două acumuloare înainte de o nouă utilizare a mașinii sau înainte de stocarea ei.
Doar un singur LED pâlpâie de trei ori într-un ciclu.	Cel puțin un acumulator s-a supraîncălzit, așteptați răcirea lui/lor înainte de a reincepe munca.

Doar un singur LED pâlpâie de patru ori într-un ciclu. Mașina este suprasolicitată. Îndepărtați unealta de locul tăierii, după care încercați din nou.

## INSTRUCȚIUNI DE UTILIZARE



**AVERTISMENT!** Încărcătorul și acumulatorul sunt concepute special pentru a lucra împreună, astfel că nu încercați să utilizați orice alt dispozitiv. Nu introduceți sau nu permiteți niciodată pătrunderea obiectelor metalice în conectorii încărcătorului și ai acumulatorului întrucât pot apărea o întrerupere a curentului și pericol.

### 1. Sistem automat de aprovizionare cu fir

La pornirea inițială a trimmerului, mașina primește o bucată scurtă de fir.

O clipă se va auzi un sunet de 'clinchet'. Nu e nimic anormal în asta și este datorat dispozitivului de tăiere a firului când acesta efectuează tăierea firului. După ce firul este tăiat la lungimea corectă, sunetul de 'clinchet' dispare și motorul trimmerului accelerează până la atingerea vitezei maxime de rotație.

Pentru a putea obține mai mult fir, trebuie așteptată oprirea completă a trimmerului; mașina trebuie să fie oprită complet, după care trebuie repornită și trebuie așteptat momentul în care motorul ajunge la turație maximă. Repetați cele de mai sus pînă când auziți că firul s-a ciocnit de dispozitivul de tăiere a firului. (Nu repetați această procedură mai mult de 6 ori!)

### 2. Alimentarea manuală cu fir (Vezi fig. H)

Apăsați și eliberați butonul de alimentare manuală cu fir în timp ce trageți afară firul, trăgând de el până când acesta ajunge până la dispozitivul de tăiere a firului. Dacă s-a scos lungimea de fir necesară, trageți cu grijă de firul al doilea (în acest caz nu mai este nevoie de o nouă apăsare a butonului de alimentare manuală cu fir). Dacă lungimea firului derulat de pe bobină trece de dispozitivul de tăiere, ați derulat prea mult fir. Dacă ați tras afară prea mult fir, scoateți capacul de protecție a capului de tăiere și rotiți bobina în sens contrar mersului acelor de ceasornic, până când firul ajunge la lungimea dorită.

### Îndepărtarea capacului (Vezi fig. I)

Apăsați și țineți apăsată cele două pedici de blocare a capacului.

Îndepărtați capacul de protecție de pe capul de tăiere. Mențineți curate, fără resturi de materiale capacul și suportul bobinei. Așezați la loc capacul prin împingerea lui hotărâtă înspre suportul bobinei. Asigurați-vă de fixarea lui corectă încercând să-l îndepărtați fără să apăsați cele două pedici de blocare.

### Înlocuirea bobinei cu fir (Vezi fig. K și L)

Mai întâi scoateți capacul și apoi scoateți rola veche. Așezați bobina nouă în capul de tăiere. Trageți afară primul fir prin inel, după care repetați mișcarea și cu al doilea (Vezi fig. L). Derulați fir de pe scoaba bobinei. Montați la loc capacul de protecție.

**AVERTISMENT!** Trimmerul dvs. este proiectat pentru un fir cu diametrul maxim de 1,65 mm. Utilizați numai fir de plastic (damil).

**IMPORTANT** – Prima dată firul trebuie înfășurat pe secțiunea superioară a bobinei.

### 3. Bobinarea manuală a firului (Vezi fig. M, N, O, P)

Procurați un fir de circa 5 m lungime și introduceți circa 15 mm de fire într-una din găurile secțiunii superioare a bobinei. Înfașurați firul în direcția săgeților aflate pe partea superioară a bobinei.

Păstrați neînfașurat cca 100 mm de fir și așezați-l pe scoabă. Repetați operațiunea și la partea inferioară a bobinei.

Înfașurarea firului pe bobină trebuie efectuată cu grijă și foarte ordonată. Nerespectarea acestei prevederi va avea efecte negative asupra alimentării automate cu fir. După aceasta potriviți bobina la locul ei conform celor descrise în paragraful "Schimbarea bobinei cu fir".

## DEPOZITAREA MOTOCOSITORII PENTRU IARBĂ



**Scoateți întotdeauna acumulatorul din motocositoare după utilizare.**

**Păstrarea mașinii dvs. de tuns IARBA**

Mașina de tuns iarba a fost prevăzută cu o gaură de agățare a mașinii pe perete. (Consultați Fig. Q)

Păstrați mașina într-un loc uscat în care aceasta și acumulatorul ei sunt protejate împotriva deteriorării.

## DETECTAREA DEFECȚIUNILOR

Următorul tabel prezintă simptomele defecțiunilor, cauzele posibile precum și soluția corectă de remediere a acestora, dacă vreodată scula dumneavoastră electrică de grădină nu funcționează impecabil.



**ATENȚIE:** Înainte de a trece la detectarea defecțiunilor, opriți scula electrică de grădină și extrageți acumulatorul din aceasta.

Simptome	Cauză posibilă	Remediere
Motocositoarea nu funcționează.	Acumulator descărcat. Acumulator prea fierbinte/rece. Motorul este defect. Cablajul interior al uneltei este deteriorat.	Reîncărcați acumulatorul; de asemenea, consultați manualul încărcătorului Permiteți răcirea/încălzirea. Contactați agentul de service. Contactați agentul de service.
Motocositoarea funcționează intermitent.	Motorul este defect. Acumulatorul nu este încărcat complet. Înterupător on/off (pornire/oprire) defect.	Contactați agentul de service. Reîncărcați acumulatorul. Contactați agentul de service.
Vibrații/zgomote excesive.	Unealtă defectă. Linia nu este înfașurată corect pe bobină.	Contactați agentul de service. Reînfașurați linia. Consultați „Pentru a bobina manual linia”.
Durata de tăiere per acumulator încărcat este prea scurtă.	Acumulatorul nu a fost utilizat pentru o perioadă mai lungă de timp sau nu a fost încărcat suficient. Iarbă prea înaltă. Acumulator defect.	Încărcați complet acumulatorul; de asemenea, consultați manualul încărcătorului Tăiați în trepte. Înlocuiți acumulatorul.
Unealta nu taie.	Linie de tăiere defectă. Acumulatorul nu este încărcat complet. Motorul este defect (turație prea redusă). Iarbă adunată în jurul capului de tăiere.	Înlocuiți linia de tăiere. Reîncărcați acumulatorul; de asemenea, consultați manualul încărcătorului Contactați agentul de service. Îndepărtați iarba.

## ÎNȚREȚINEREA



**Scoateți întotdeauna acumulatorul din motocositoare după utilizare.**

**Verificați întotdeauna produsul înainte de utilizare, pentru identificarea eventualelor deteriorări.**

Scoateți fișa din priză înainte de efectuarea oricărei reglări, lucrări de servizare sau întreținere.

Scula nu necesită gresare sau întreținere suplimentară. Nu există piese care pot fi depanate de utilizator în sculă. Nu utilizați niciodată apă sau agenți de curățare chimici pentru curățarea sculei. Ștergeți cu o cârpă uscată.

Depozitați întotdeauna scula într-un loc uscat. Mențineți fantele de ventilație a motorului curate. Feriți de praf toate comenzile de lucru.

## PROTECȚIA MEDIULUI ÎNCONJURĂTOR



Deșeurile produselor electrice nu se vor arunca împreună cu deșeurile menajere. Reciclați acolo unde există instalații de reciclare. Consultați autoritățile locale sau vânzătorul pentru recomandări privind reciclarea.

Iluminare continuă a indicatorului de încărcare acumulator Nu este posibilă încărcarea.	Acumulatorul nu este introdus (corect). Contactele acumulatorului sunt murdare.  Acumulator defect.	Introduceți corect acumulatorul în încărcătorul de acumulator. Curățați contactele acumulatorului (de exemplu, prin introducerea și scoaterea acumulatorului de mai multe ori) sau înlocuiți acumulatorul. Înlocuiți acumulatorul.
Indicatorul de încărcare acumulator nu se aprinde.	Fișa de alimentare a încărcătorului nu este conectată (corect). Priza de alimentare, cablul de alimentare sau încărcătorul acumulatorului sunt defecte.	Introduceți fișa de alimentare (complet) în priză. Verificați tensiunea de alimentare; apelați la un agent de service autorizat pentru verificarea încărcătorului de acumulator.
Alimentarea automată nu funcționează	Linia nu este bobinată corect. Linia de tăiere este încurcată. Linia de tăiere a fost utilizată complet.	Alimentați manual linia de tăiere; dacă acesta tot nu este alimentată, scoateți bobina și reînfășurați linia. Înlocuiți cu o nouă bobină cu linie de tăiere.

## DECLARAȚIE DE CONFORMITATE

Noi,  
Positec Germany GmbH  
Grüner Weg 10, 50825 Cologne, Germany

Declarăm că produsul,  
Descriere **Mașină de tuns iarba fără fir**  
Tip **WG183E WG183E.9 (1- denumirea aparatului, reprezentantă pentru mașina de tuns iarba fără fir)**  
Funcție **cosirea ierbii și a vegetației moi similare și pentru tunderea marginilor suprafețelor ierboase**

Este conform cu următoarele Directive,  
**2006/42/EC, 2014/30/EU, 2011/65/EU&(EU)2015/863, 2000/14/EC modificată prin 2005/88/EC**

2000/14/EC modificată prin 2005/88/EC:  
- Procedură de evaluare a conformității conformă cu **Anexa VI**  
- Nivel de putere sonoră măsurat **90.2 dB (A)**  
- Nivel de putere sonoră garantat declarat **94 dB (A)**

Organismul notificat implicat  
**Nume: ISET S.r.l. Unipersonale**  
**Adresa: Sede Legale e Uffici Via Donatori di sangue,9 – 46024 Moglia (MN)**

Standardele sunt conforme cu,  
**EN 60335-1, EN 50636-2-91, EN 62233, EN ISO 3744, EN 55014-1, EN 55014-2**

Persoana autorizată să compileze fișierul tehnic,  
**Denumire Marcel Filz**  
**Adresă Positec Germany GmbH**  
**Grüner Weg 10, 50825 Cologne, Germany**




2020/07/28  
Allen Ding  
Adjunct Inginer șef, Testare și certificare  
Positec Technology (China) Co., Ltd  
18, Dongwang Road, Suzhou Industrial Park, Jiangsu 215123, P. R. China

# BEZPEČNOST VÝROBKU VŠEOBECNÉ BEZPEČNOSTNÍ POKYNY



**VAROVÁNÍ** Přečtěte si všechna bezpečnostní varování a všechny pokyny.

Nebudete-li dodržovat uvedená varování a pokyny, může dojít k úrazu elektrickým proudem, požáru nebo vážným zraněním.

**Uschovejte všechna varování a pokyny pro budoucí odkazy.**

Toto zařízení může být použito pouze s napájecí jednotkou, která byla dodána s tímto zařízením.

## **DŮLEŽITÉ PŘED POUŽITÍM SI PEČLIVĚ PŘEČTĚTE TENTO NÁVOD A USCHOVEJTE TYTO POKYNY PRO BUDOUCÍ ODKAZY**

### **Pokyny pro bezpečnou obsahu**

#### **1. Průprava**

- Přečtěte si pečlivě uvedené pokyny. Seznamte se s ovládacími prvky a se správným použitím tohoto zařízení.
- Nikdy nenechávejte obsluhovat toto zařízení děti, osoby se sníženými fyzickými, smyslovými nebo

duševními schopnostmi, nebo nedostatkem zkušeností a znalostí, nebo osoby neobeznámené s těmito pokyny k obsluze zařízení. Věk obsluhy může být omezen místními předpisy.

- Uvědomte si, že obsluha nebo uživatel nesou odpovědnost za nehody nebo rizika, která hrozí jiným osobám nebo jejich majetku.

#### **2. Příprava**

- Před použitím vždy zkontrolujte, zda není zařízení poškozeno a zda nemá chybějící či nesprávně nasazené ochranné kryty nebo bezpečnostní štíty.
- Nikdy zařízení nepoužívejte v blízkosti dalších osob, zvláště pak dětí nebo domácích zvířat.

#### **3. Použití**

- Po celou dobu práce se zařízením používejte ochranné brýle, dlouhé kalhoty a robustní obuv.
- Nepoužívejte zařízení za špatných povětrnostních podmínek, zvláště pak pokud hrozí nebezpečí bouřek.
- Zařízení používejte pouze za denního světla nebo při

dobrém umělém osvětlení.

- d) Nikdy nepoužívejte tento stroj s poškozenými kryty nebo v případě, nejsou-li tyto kryty na svých místech.
- e) Motor spouštějte pouze pokud se vaše ruce či nohy nacházejí mimo řezací část stroje.
- f) Zařízení vždy odpojte od napájení (např. vyjměte ze zařízení akumulátor).
- 1) Vždy, když je ponecháte bez dozoru;
- 2) Před odstraněním zablokování;
- 3) Před kontrolou, čištěním a jakoukoli prací na stroji;
- 4) Po nárazu do cizího předmětu;
- 5) Vždy, když stroj začne neobvykle vibrovat.
- g) Dávejte pozor na poranění nohou a rukou řezací částí stroje.
- h) Vždy zajistěte, aby nebyly větrací otvory zaneseny nečistotami a aby byly čisté.
- i) Nikdy na stroj neupevňujte kovové žací prvky.
- j) Na svahu vždy udržujte pevný postoj.
- k) Chod'te, nikdy neběhejte.
- l) Nepřeceňujte své síly a vždy udržujte pevný postoj.
- m) Nedotýkejte se nebezpečných

pohyblivých částí před vyjmutím akumulátoru ze stroje, po vyjmutí akumulátoru počkejte, až se pohyblivé části zcela zastaví.

#### 4. Údržba a uložení

- a) Před prováděním údržby nebo čištění zařízení odpojte od napájení (například vyjmutím akumulátoru ze stroje).
- b) Používejte výhradně náhradní díly a příslušenství doporučené výrobcem.
- c) Pravidelně provádějte kontrolu a údržbu stroje. Stroj nechávejte opravovat pouze v autorizovaném servise.
- d) Pokud zařízení nepoužíváte, uložte je mimo dosah dětí.

#### BEZPEČNOST BATERIE BEZPEČNOSTNÍ VAROVÁNÍ TÝKAJÍCÍ BATERIÍ


- a) **Nepokoušejte se demontovat, rozebírat nebo rozřezávat baterie nebo její články.**
- b) **Neprovádějte zkratování baterie. Neukládejte baterie nahodile v krabicích nebo v zásuvkách, kde by mohlo dojít k jejich vzájemnému zkratování nebo k zkratování způsobenému**


- jinými předměty.** Není-li baterie používána, udržujte ji v bezpečné vzdálenosti od sponek na papíry, mincí, klíčů, hřebíků, šroubů nebo jiných malých kovových předmětů, které mohou způsobit propojení kontaktů baterie. Zkratování kontaktů baterie může způsobit popáleniny nebo požár.
- c) Nevystavujte baterii působení horka nebo ohně. Vyvarujte se skladování baterií na otevřeném slunci.**
- d) Nevystavujte baterii mechanickým rázům.**
- e) Dojde-li k úniku kapaliny z baterie, zabraňte tomu, aby se tato kapalina dostala do kontaktu s pokožkou nebo aby zasáhla oči. Dojde-li k takovému kontaktu, zasažené místo omyjte značným množstvím vody a vyhledejte lékařské ošetření.**
- f) Dojde-li k požití kapaliny z baterie, vyhledejte okamžitě lékařské ošetření.**
- g) Udržujte baterie čisté a suché.**
- h) Jsou-li svorky baterie znečištěny, otřete je čistým a suchým hadříkem.**
- i) Baterie musí být před použitím nabita. Vždy postupujte podle uvedených pokynů a používejte správný postup nabíjení.**
- j) Nenechávejte baterii nabíjet, nebude-li baterie použita.**
- k) Po dlouhodobém uložení budete možná muset provést několik cyklů nabíjení a vybití, aby baterie dosáhla svého maximálního výkonu.**
- l) Baterie poskytuje nejvyšší výkon, je-li používána při běžné pokojové teplotě (20 °C ± 5 °C).**
- m) Při likvidaci baterií oddělte od sebe navzájem baterie s odlišnými elektrochemickými systémy.**
- n) Provádějte nabíjení pouze v nabíječce, která je specifikovaná společností Worx. Nepoužívejte jinou nabíječku, než je nabíječka speciálně dodaná pro použití s tímto zařízením.**  
*Nabíječka, která je vhodná pro jeden typ baterie, může*

při použití jiného typu baterie vytvářet riziko způsobení požáru.

- o) Nepoužívejte žádnou baterii, která není určena pro použití s tímto zařízením.**
- p) Ukládejte baterie mimo dosah dětí.**
- q) Uchovejte originální dokumentaci k tomuto výrobku pro budoucí odkazy.**
- r) Není-li zařízení používáno, vyjměte z něj baterii.**
- s) Provádějte řádnou likvidaci baterie.**
- t) V zařízení nekombinujte bateriové články různého data výroby, kapacity, velikosti nebo typu.**
- u) Nevýjímajte baterii z originálního obalu dřívě, než bude použita.**
- v) Dodržujte polaritu vložených baterií plus (+) a mínus (-) a zajistěte používání baterií správným způsobem.**

## SYMBOLY

	<p>Přečtěte si návod k obsluze</p>
---	------------------------------------

	<p>Udržujte ostatní osoby v bezpečné vzdálenosti.</p>
	<p>Používejte ochranu zraku a sluchu</p>
	<p>Nevystavujte dešti.</p>
	<p>Nepotřebné elektrické přístroje by neměly být vyhazovány společně s odpadem z domácnosti. Nářadí recyklujte ve sběrnách zřízených k tomuto účelu. O možnostech recyklace se informujte na místních úřadech nebo u prodejce.</p>
	<p>Akumulátor Li-Ion. Tento výrobek byl označen symbolem „tříděný odpad“ pro všechny jednotlivé a složené akumulátory. Proto musí být s ohledem dopadu na životní prostředí po dosloužení recyklován nebo demontován. Akumulátory obsahují nebezpečné látky, proto mohou být nebezpečné pro životní prostředí a lidské zdraví.</p>
	<p>Vysloužilé elektrické přístroje by neměly být vyhazovány společně s odpadem z domácnosti. Nářadí recyklujte ve sběrnách zřízených k tomuto účelu. O možnostech recyklace se informujte na místních úřadech nebo u prodejce.</p>
	<p>Nevystavujte ohni.</p>
	<p>Používejte ochranné rukavice</p>
	<p>Před výměnou příslušenství zajistěte, aby byla z nářadí vyjmuta baterie.</p>
	<p>Sečen</p>



	Zamknout
	Odemknout
	Správně
	Nesprávně

## SEZNAM KOMPONENT

<b>1. BATERIE *</b>
<b>2. SPÍNAČ/SPOUŠŤ</b>
<b>3. HORNÍ ČÁST RUKOJETI</b>
<b>4. ŠROUB STAVITELNÉ RUKOJETI</b>
<b>5. SPODNÍ RUKOJEŤ</b>
<b>6. BEZPEČNOSTNÍ KRYT</b>
<b>7. TLAČÍTKO PRO POSUV STRUNY</b>
<b>8. ZKRACOVACÍ NŮŽ STRUNY</b>
<b>9. PŘÍDAVNÁ RUKOJEŤ</b>
<b>10. POJISTNÉ TLAČÍTKO</b>
<b>11. INDIKÁTOR NABÍTÍ BATERIE</b>
<b>12. HLAVA SEKAČKY (VIZ OBR.I)</b>
<b>13. UZÁVĚR CÍVKY (VIZ OBR. J)</b>
<b>14. ZÁPADKA PRO UVOLNĚNÍ KRYTU (VIZ OBR.J)</b>
<b>15. CÍVKA (VIZ OBR.J)</b>
<b>16. OČKO (VIZ OBR.J)</b>

\* Ne všechno zobrazené nebo popisované příslušenství je součástí standardní dodávky.

## TECHNICAL DATA

Typ **WG183E WG183E.9** (1-označení stroje, zástupce bezšňůrové strunové sekačky)

	<b>WG183E</b>	<b>WG183E.9</b>
--	---------------	-----------------

Napětí	40 V $\overline{\text{---}}$ MAX (2x20 V MAX) **	
Otáčky naprázdno	6800 /min	
Šířka záběru	33 cm	
Průměr struny	1.65 mm	
Délka struny	5 m (dvojitý výstup)	
Typ baterie	Li-Ion	/
Model akumulátoru	WA3551.1(2.0 Ah)	/
Model nabíječky	WA3772	/
Parametry nabíječky	Vstup: 100-240 V~50/60 Hz, 50 W Výstup 1: 20 V $\overline{\text{---}}$ , 2.0 A*** Výstup 2: 20 V $\overline{\text{---}}$ , 2.0 A***	/
Doba nabíjení (Přibl.) Baterie: 2.0 Ah (1 pc) 2.0 Ah (2 pcs)	65 mins 130 mins	/
Hmotnost stroje	2.9 kg	2.2 kg

\*\* Napětí měřeno bez pracovního zatížení. Původní napětí baterie dosahuje maximálně 20 V. Jmenovité napětí je 18 V.

\*\*\* Nabíjecí výstup 1 a výstup 2 označuje u nabíječky dva porty se stejným napětím a proudem.

## PŘÍSLUŠENSTVÍ

	WG183E	WG183E.9
Baterie (WA3551.1)	2	/
Nabíječka (WA3772)	1	/
Cívka (WA0007)	1	1
Uzávěr cívky (WA0216)	1	1
Bezpečnostní kryt	1	1
Přídatná rukojeť	1	1

Doporučujeme vám, abyste zakoupili příslušenství ve stejném obchodě, ve kterém jste zakoupili i vaše nářadí. Další podrobnosti naleznete na obalu příslušenství. Personál prodejny vám může pomoci a také vám může poskytnout užitečnou radu.

## INFORMACE TÝKAJÍCÍ SE HLUČNOSTI

Měřený akustický tlak  $L_{pA} = 75.8 \text{ dB(A)}$

$K_{pA} = 3.0 \text{ dB(A)}$

Měřený akustický výkon  $L_{wA} = 90.2 \text{ dB(A)}$

$K_{wA} = 3.0 \text{ dB(A)}$

**Používejte ochranu sluchu.**



## INFORMACE TÝKAJÍCÍ SE VIBRACÍ

Typická naměřená hodnota vibrací  $a_h < 2.5 \text{ m/s}^2$

Odchylka  $K = 1.5 \text{ m/s}^2$

Deklarovaná celková hodnota vibrací může být použita pro vzájemné srovnání jednotlivých nářadí a rovněž může být použita k předběžnému stanovení doby práce.

**VAROVÁNÍ:** Úroveň vibrací při aktuálním použití elektrického nářadí se může lišit od deklarované hodnoty v závislosti na způsobu, jakým je nářadí používáno, v závislosti na následujících příkladech a na jiných variantách toho, jak je nářadí používáno: Jak je nářadí používáno a jaké materiály budou řezány nebo vrtány.

Nářadí musí být v dobrém stavu a musí být prováděna jeho řádná údržba.

S nářadím musí být používáno správné příslušenství, a toto příslušenství musí být ostré a v dobrém stavu.

Těsný úchop na rukojetích a kontrola, je-li vůbec použito antivibračního příslušenství.

Toto nářadí může být použito pouze pro určené účely a podle těchto pokynů.

**Není-li toto nářadí používáno odpovídajícím způsobem, může způsobit syndrom nemoci způsobené působením vibrací na ruce a paže obsluhy.**

**VAROVÁNÍ:** Chcete-li být přesní, odhad doby působení vibrací v aktuálních podmínkách při použití tohoto nářadí by měl brát v úvahu také všechny části pracovního cyklu, jako jsou doby, kdy je nářadí vypnuto a kdy je v chodu ve volnoběžných otáčkách, ale ve skutečnosti neprovádí žádnou práci. Doba působení vibrací tak může být během celkové pracovní doby značně zkrácena.

Pomozte minimalizovat dobu působení vibrací na obsluhu. **VŽDY** používejte ostré sekačky, vrtáky a nože.

Provádějte údržbu tohoto nářadí podle těchto pokynů a zajistěte jeho řádné mazání (je-li to vhodné).

Musíte-li toto nářadí používat pravidelně, investujte do antivibračního příslušenství.

Vypracujte si svůj plán práce, abyste působení vysokých vibrací tohoto nářadí rozdělili do několika dnů.

## SESTAVENÍ A POUŽÍVÁNÍ

POSTUP	OBŘ.
<b>SESTAVENÍ</b>	
Montáž hřídele strunové sekačky	Viz Obr. A
Montáž přídatného madla	Viz Obr. B
Sestavení bezpečnostního krytu	Viz Obr. C
Vložení a vyjmutí baterie <b>POZNÁMKA:</b> • Tato sekačka bude schopna provozu pouze se 2 vloženými akumulátory. Používejte vždy dva shodné typy akumulátorů a nabíjejte je současně. • Pokud používáte dva akumulátory s různým výkonem, zařízení běží pouze s nižším společným výkonem obou akumulátorů.	Viz Obr. D1,D2
Nabíjení baterie <b>POZNÁMKA:</b> • Tato baterie je dodávána jako nenabitá. Před prvním sekaním trávniku musí být baterie zcela nabitá. • Oba akumulátory dobíjejte na plnou kapacitu vždy současně. Další informace naleznete v návodu pro model.	Viz Obr. D3
Indikátor stavu nabití baterie na sekačce Podrobné informace naleznete v části STAV NABÍTÍ AKUMULÁTORU	Viz Obr. D4
<b>OBSLUHU</b>	
Spínač/Spoušť <b>VAROVÁNÍ!</b> Hlava sekačky pokračuje v otáčení ještě chvíli po zastavení sekačky. Počkejte proto, dokud nedojde k úplnému zastavení sekačky a potom ji odložte.	Viz Obr. E
Ořezávání	Viz Obr. F
-Seřízení přídatné rukojeti	Viz Obr. G
Ruční posuv struny	Viz Obr. H
Odstranění uzávěru	Viz Obr. I
Hlava sekačky	Viz Obr. J
Výměna cívky se strunou	Viz Obr. K,L
Ruční vysunutí struny	Viz Obr. M, N,O,P

### STAVOVÉ LED AKUMULÁTORU (Viz Obr. D4)

Před spuštěním nebo po použití stiskněte tlačítko umístěné na přístroji vedle kontroly napájení, abyste zkontrolovali kapacitu akumulátoru. Během provozu

je kapacita akumulátoru automaticky zobrazena na indikátoru výkonu akumulátoru. Indikátor neustále snímá a zobrazuje stav akumulátoru následujícím způsobem. U zařízení se 2 akumulátory s různým výkonem indikuje kontrolka napájení stav spodního akumulátoru.

Indikátor stavu nabití akumulátoru	Stav akumulátoru
Svítil pět zelených kontrolkek (■ ■ ■ ■ ■).	Dva akumulátory jsou plně nabitě.
Svítil dvě, tři nebo čtyři zelené kontrolky.	Dva akumulátory jsou ještě částečně nabitě. Čím více zelených kontrolkek svítí, tím je vyšší zbývající kapacita nabití.
Svítil pouze jedna zelená kontrolka (■ □ □ □ □).	Nejméně jeden akumulátor je zcela vybit a je nutné jej znovu nabít.
Nesvítil žádná kontrolka.	Nejméně jeden akumulátor není plně nabit, nebo je vadný.
Bliká pouze jedna kontrolka dvakrát za sebou.	Nejméně jeden akumulátor je téměř vybitý (viz indikátor stavu nabití akumulátoru). Před opětovným použitím, nebo před uskladněním nabijte současně oba akumulátory.
Bliká pouze jedna kontrolka třikrát za sebou.	Nejméně jeden akumulátor je příliš zahřátý. Před opětovným spuštěním zařízení počkejte, až vychladne.
Bliká pouze jedna kontrolka čtyřikrát za sebou.	Sekačka je přetížena. Zvyšte výšku řezu nebo na sekačku tlačte jen zvolna.

## POKYNY PRO OBSLUHU

**VAROVÁNÍ!** Nabíječka a baterie jsou speciálně určeny k tomu, aby pracovaly dohromady, a proto se nepokoušejte o jejich použití s jinými výrobky. Nikdy nevkládejte kovové předměty do nabíječky nebo na kontakty baterie, protože by došlo k poškození zařízení nebo úrazu elektrickým proudem.

### 1. Systém automatického posuvu struny

Při prvním spuštění strunové sekačky se vysune krátký kousek struny. Po krátkou dobu bude slyšet zvuk 'klapání'. To je zcela normální a je to způsobeno tím, že je struna přefrezována zkracovacím nožem struny. Jakmile je struna zkrácena na správnou délku, zvuk 'klapání' ustane a motor sekačky se rozběhne na maximální otáčky. Pro další vysunutí struny je nejprve třeba nechat sekačku úplně zastavit; musí být zcela v klidu, poté ji opět spusťte a nechejte motor dosáhnout plných otáček. (Tento postup opakujte maximálně 6 krát)

### 2. Ruční posuv struny (Viz obr. H)

Stisknete a uvolníte tlačítko pro ruční posuv struny a současně opatrně vytáhnete strunu tak, aby vyčnívaly až ke zkracovacímu noži.

Poté, co je struna vytažena na požadovanou délku, opatrně vatáhněte druhou strunu (v tomto případě není nutné opětovně stisknout tlačítko pro ruční posuv struny). Pokud struna přesahuje přes zkracovací nůž struny, byla vytažena příliš dlouhá. Pokud je vytažena příliš dlouhá, sejměte uzávěr cívký a cívkou otáčejte proti směru chodu hodinových ručiček, až bude struna vytažena jen v požadované délce.

### Odstranění uzávěru (Viz obr. I)

Stisknete a přidržte dvě západky. Krytku tahem vytáhněte z držáku cívký ven. Krytku a držák cívký udržujte v čistotě. Krytku nasadíte zpět tak, že ji pevně přitlačíte směrem k držáku cívký. Ujistěte se, zda je správně nasazena tak, že se ji pokusíte sejmout bez stlačení obou západek.

### Výměna cívký se strunou (Viz obr. K, L)

Nejdřív sejměte kryt a vyndejte starou cívký. Do řezné hlavy vložte novou cívký se strunou. Protáhněte okem jednu strunu, poté protáhněte druhou strunu (Viz obr. L). Strunu uvolníte z příchytky na cívce. Nasadte zpět krytku.

**POZOR!** Vaše sekačka je zkonstruována pro použití struny s maximálním průměrem 1,65 mm.

Používejte výhradně nylonovou strunu.

**DŮLEŽITÉ** – Vždy navíjejte strunu nejprve do horní části cívký.

### 3. Ruční vysunutí struny (Viz obr. M, N, O, P)

Odviňte přibližně 5 m struny a zasuňte 15 mm struny do jednoho z otvorů v horní části cívký. Strunu navíjejte ve směru šipek na horní straně cívký. Ponechejte přibližně 100 mm struny nenavínuté a zajištěte ji v příchytce. Postup zopakujte pro spodní část cívký.

Je třeba dát pozor, aby byla struna na cívce navinuta úhledně. V opačném případě bude zhoršena účinnost jejího automatického posuvu.

Poté vložte cívký způsobem popsáným výše "Výměna cívký se strunou".

## SKLADOVÁNÍ VAŠÍ STRUNOVÉ SEKAČKY

**!** Po použití vždy odpojte od strunové sekačky baterii.

### Uložení STRUNOVÉ sekačky

Sekačka je opatřena závěsnou šterbinou k jejímu zavěšení na stěně. (Viz Obr. Q)

Uchovávejte na suchém místě, kde budou sekačka i akumulátor chráněny před poškozením.

## ÚDRŽBA

**!** Po použití vždy odpojte od strunové sekačky baterii.

**Před použitím strunové sekačky vždy zkontrolujte, zda není poškozena.**

Po použití vždy odpojte od strunové sekačky baterii.

Před použitím strunové sekačky vždy zkontrolujte, zda

není poškozena.

Vaše elektrické nářadí nevyžaduje žádné doplňkové mazání nebo údržbu. Ve vašem nářadí nejsou žádné díly, jejichž opravu by mohl provádět uživatel. Nikdy nepoužívejte při čištění vašeho elektrického nářadí vodu nebo chemické čisticí prostředky. Otřete a očistěte nářadí suchým hadříkem. Vždy ukládejte toto elektrické nářadí na suchém místě. Udržujte v čistotě větrací otvory motoru. Udržujte v čistotě všechny ovládací prvky.

## OCHRANA ŽIVOTNÍHO PROSTŘEDÍ



Nepotřebné elektrické přístroje by neměly být vyhazovány společně s odpadem z domácnosti.

Nářadí recyklujte ve sběrnách zřízených k tomuto účelu. O možnostech recyklace se informujte na místních úřadech nebo u prodejce.

## HLEDÁNÍ ZÁVAD

Následující tabulka ukazuje příznaky závad, možnou příčinu a též správnou nápravu, pokud by Vaše zahradní nářadí někdy nefungovalo bezvadně.



**POZOR:** Před hledáním závady zahradní nářadí vypněte a odejměte akumulátor.

Příznaky	Možná příčina	Náprava
Strunová sekačka nepracuje.	Baterie je vybitá.  Baterie je příliš horká/studená. Motor je vadný. Vnitřní vodiče jsou poškozené.	Nabijte baterii. Rovněž se podívejte do příručky k nabíječce baterie. Počkejte, až baterie vychladne/zahřejte ji. Obraťte se na servisního zástupce. Obraťte se na servisního zástupce.
Chod strunové sekačky je přerušovaný.	Motor je vadný. Baterie není plně nabitá. Spínač je vadný.	Obraťte se na servisního zástupce. Nabijte baterii. Obraťte se na servisního zástupce.
Nadměrné vibrace/hluk.	Strunová sekačka je poškozená. Struna není správně navinutá.	Obraťte se na servisního zástupce. Znovu navíňte strunu. Viz část „Ruční vysunutí struny“.
Doba provozu na baterii je příliš nízká.	Baterie nebyla delší dobu používána nebo byla nabijena jen krátce. Tráva je příliš vysoká. Baterie je vadná.	Plně nabijte baterii. Rovněž se podívejte do příručky k nabíječce baterie. Proveďte postupné sekání. Vyměňte baterii.
Zařízení neseče.	Struna je přetržená. Baterie není plně nabitá.  Motor je vadný (rychlost je příliš nízká). V oblasti strunové hlavy se zachytila tráva.	Vyměňte strunu. Nabijte baterii. Rovněž se podívejte do příručky k nabíječce baterie. Obraťte se na servisního zástupce. Odstraňte trávu.
Trvale svítí indikátor nabíjení baterie. Nabíjení nelze provést.	Baterie není (správně) připojena. Kontakty baterie jsou znečištěné.  Baterie je vadná.	Vložte baterii do nabíječky správně. Očistěte kontakty baterie (např. opakovaným připojením a odpojením baterie) nebo baterii vyměňte. Vyměňte baterii.
Indikátor nabíjení baterie nesvítí.	Zástrčka nabíječky baterie není (správně) připojena. Síťová zásuvka, napájecí kabel nebo nabíječka baterie je vadná.	Připojte zástrčku do síťové zásuvky (až na doraz). Zkontrolujte síťové napětí. Nechejte nabíječku baterie zkontrolovat autorizovaným servisním zástupcem.
Automatický posun struny nepracuje.	Žací struna není správně navinutá. Struna je zamotaná.  Struna je vypotřebovaná.	Ručně povytáhněte strunu. Pokud strunu nelze vysunout, vyjměte cívku a navíňte strunu. Vyměňte cívku za novou.

# PROHLÁŠENÍ O SHODĚ

My,  
Positec Germany GmbH  
Grüner Weg 10, 50825 Cologne, Germany

tímto prohlašujeme, že výrobek  
Popis **Bezšňúrová strunová sekačka**  
Typ **WG183E WG183E.9 (1-označení stroje, zástupce  
bezšňúrové strunové sekačky)**  
Funkce **sečení trávniků a jiných podobných  
měkkých rostlin a úpravy okrajů trávniků**

splňuje požadavky následujících směrnic,  
**2006/42/EC, 2014/30/EU, 2011/65/EU & (EU)2015/863,  
2000/14/EC upravená směrnici 2005/88/EC**

2000/14/EC upravená směrnicí 2005/88/EC:  
- Postup posuzování shody podle **Dodatek VI**  
- Měřená úroveň akustického výkonu **90.2 dB (A)**  
- Deklarovaná zaručená úroveň akustického výkonu **94  
dB (A)**

Pověřený úřední orgán  
**Název: ISET S.r.l. Unipersonale**  
**Adresa: Sede Legale e Uffici Via Donatori di  
sangue,9 – 46024 Moglia (MN)**


Použité normy,  
**EN 60335-1, EN 50636-2-91, EN 62233, EN ISO 3744,  
EN 55014-1, EN 55014-2**

Osoba odpovídající za vytvoření technické  
dokumentace,  
**Jméno Marcel Filz**  
**Adresa Positec Germany GmbH**  
**Grüner Weg 10, 50825 Cologne, Germany**



2020/07/28  
Allen Ding  
Zástupce vrchní konstrukční kanceláře,  
Testování & Certifikace  
Positec Technology (China) Co., Ltd  
18, Dongwang Road, Suzhou Industrial  
Park, Jiangsu 215123, P. R. China

# BEZPEČNOST VÝROBKU VŠEOBECNÉ BEZPEČNOSTNÉ POKYNY

 **UPOZORNENIE**  
**Prečítajte si všetky  
bezpečnostné upozornenia  
a všetky pokyny. Ak  
nebudete dodržiavať uvedené  
bezpečnostné pokyny a  
upozornenia, môže dôjsť k úrazu  
elektrickým prúdom, požiaru  
alebo vážnym zraneniam.**  
**Uložte bezpečnostné pokyny  
na ďalšie použitie.**

Toto zariadenie môže byť použité  
iba s napájacou jednotkou, ktorá  
bola dodaná s týmto zariadením.

**DÔLEŽITÉ**  
**PRED POUŽITÍM SI POZORNE  
PREČÍTAJTE NÁVOD NA  
OBSLUHU A USCHOVAJTE  
HO NA ĎALŠIE POUŽITIE.**

**Pokyny k bezpečnému  
použitíu**

## 1. Příprava

- Pozorne si prečítajte  
nasledujúce pokyny.  
Zoznámte sa s ovládacími  
prvkami a so správnym  
použitím tohoto zariadenia.
- Nikdy nenechávajte  
obsluhovať toto zariadenie  
deti, osoby so zníženými  
fyzickými, zmyslovými alebo

duševnými schopnosťami, alebo nedostatkom skúseností a znalostí, alebo osoby neoznámené s týmito pokynmi na obsluhu zariadenia. Vek obsluhy môže byť obmedzený miestnymi predpismi.

- c) Pamätajte na to, že obsluha alebo používateľ zariadenia je zodpovedný za nehody alebo škody, ktoré hrozia iným osobám alebo ich majetku.

## 2. Príprava

- a) Pred použitím vždy skontrolujte, či nie je zariadenie poškodené a či nemá chýbajúce alebo nesprávne nasadené ochranné kryty alebo bezpečnostné štíty.
- b) Nikdy zariadenie nepoužívajte v blízkosti ďalších osôb, hlavne detí alebo domácich zvierat.

## 3. Použitie

- a) V priebehu celej pracovnej doby so zariadením používajte ochranné okuliare, dlhé nohavice a pevnú obuv.
- b) Zariadenie nepoužívajte v zlých poveternostných podmienkach, hlavne ak hrozí nebezpečenstvo búrok.
- c) Zariadenie používajte iba

za denného svetla alebo pri dobrom umelom osvetlení.

- d) Nikdy nepoužívajte tento stroj s poškodenými krytmi alebo v prípade, ak nie sú tieto kryty na svojich miestach.
- e) Motor spúšťajte iba ak sa vaše ruky či nohy nachádzajú mimo rezáciu časť stroja.
- f) Zariadenie vždy odpojte od napájania (napr. vyťahnite zo zariadenia akumulátor).
- 1) Vždy, keď ho nechávate bez dozoru;
- 2) Pred odstránením zablokovania;
- 3) Pred kontrolou, čistením, a každou prácou na zariadení
- 4) Po náraze do cudzieho predmetu.
- 5) Vždy, keď stroj začne neobvykle vibrovať.
- g) Dávajte pozor na poranenie nôh a rúk o rezacie časti stroja.
- h) Vždy zaistite, aby neboli vetracie otvory zanesené nečistotami a aby boli čisté.
- i) Nikdy na stroj neupevňujte kovové žacie prvky.
- j) Pri práci v členitom teréne udržiavajte vždy pevný postoj.
- k) Kráčajte, nikdy nebehajte.
- l) Nepreceňujte svoje sily a vždy udržiavajte pevný postoj.
- m) Nedotýkajte sa

nebezpečných pohyblivých častí pred vytiahnutím akumulátora zo stroja, po vytiahnutí akumulátora počkajte, kým sa pohyblivé časti úplne nezastavia.

#### **4. Údržba a uskladnenie**

- a) Pred vykonávaním údržby alebo čistením zariadenie odpojte od napájania (napríklad vytiahnutím akumulátora zo stroja).
- b) Používajte výhradne náhradné diely a príslušenstvo odporučené výrobcom.
- c) Pravidelne vykonávajte kontrolu a údržbu stroja. Stroj nechávajte opravovať iba v autorizovanom servise.
- d) Ak zariadenie nepoužívate, uskladnite ho mimo dosahu detí.

### **BEZPEČNOSŤ BATÉRIÍ BEZPEČNOSTNÉ VAROVANIA TÝKAJÚCE SA BATÉRIÍ**

- a) **Nepokúšajte sa demontovať, rozoberať alebo rozrezávať batérie alebo jej články.**
- b) **Batériu neskratujte. Neukladajte batérie náhodne v škatuliach alebo v zásuvkách, kde**

**by mohlo dôjsť k ich vzájomnému skratovaniu alebo k skratovaniu spôsobenému inými predmetmi.** Ak sa batéria nepoužíva, udržiujte ju v bezpečnej vzdialenosti od sponiek na papieri, mincí, klúčov, klincov, skrutiek alebo iných malých kovových predmetov, ktoré môžu spôsobiť prepojenie kontaktov batérie. Skratovanie kontaktov batérie môže spôsobiť popáleniny alebo požiar.

- c) **Nevystavujte batériu pôsobeniu tepla alebo ohňa. Vyvarujte sa skladovania batérií na otvorenom slnku.**
- d) **Nevystavujte batériu mechanickým rázom.**
- e) **Ak dôjde k úniku kvapaliny z batérie, zabráňte tomu, aby sa táto kvapalina dostala do kontaktu s pokožkou alebo aby zasiahla oči. Ak dôjde k takému kontaktu, zasiahnuté miesto umyte značným množstvom vody a vyhľadajte lekárske ošetrovanie.**
- f) **Ak dôjde k požitiu kvapaliny z batérie,**

**vyhľadajte okamžite  
lekárske ošetrovanie.**

**g) Udržujte batérie čisté a suché.**

**h) Ak sú svorky batérie znečistené, utrite ich čistou a suchou handričkou.**

**i) Batéria musí byť pred použitím nabitá. Vždy postupujte podľa uvedených pokynov a používajte správny postup nabíjania.**

**j) Nenechávajte batériu nabíjať, ak nebude batéria použitá.**

**k) Po dlhodobom uložení budete možno musieť vykonať niekoľko cyklov nabíjania a vybíjania, aby batéria dosiahla svoj maximálny výkon.**

**l) Batéria poskytuje najvyšší výkon, ak sa používa pri bežnej izbovej teplote (20 °C ± 5 °C).**

**m) Pri likvidácii batérií oddel'te od seba navzájom batérie s odlišnými elektrochemickými systémami.**

**n) Vykonávajte nabíjanie iba v nabíjačke, ktorá je špecifikovaná spoločnosťou Worx.**

**Nepoužívajte inú nabíjačku, než je nabíjačka špeciálne dodaná na použitie s týmto zariadením. Nabíjačka, ktorá je vhodná pre jeden typ batérie, môže pri použití iného typu batérie vytvárať riziko spôsobenia požiaru.**

**o) Nepoužívajte žiadnu batériu, ktorá nie je určená na použitie s týmto zariadením.**

**p) Ukladajte batérie mimo dosahu detí.**

**q) Uschovajte originálnu dokumentáciu k tomuto výrobku na budúce odkazy.**

**r) Ak sa zariadenie nepoužíva, vyberte z neho batériu.**

**s) Vykonávajte riadnu likvidáciu batérie.**

**t) V zariadení nekombinujte batérové články rôzneho dátumu výroby, kapacity, veľkosti alebo typu.**

**u) Nevyberajte batériu z originálneho obalu skôr, než bude použitá.**

**v) Dodržujte polaritu vložených batérií plus (+) a mínus (-) a zaistite používanie batérií správnym spôsobom.**



## SYMBOLY

	Prečítajte si návod na obsluhu
	Udržujte ostatné osoby v bezpečnej vzdialenosti
	Používajte ochranu zraku a sluchu
	Nevystavujte dažďu
	Elektrické výrobky sa nesmú likvidovať spolu s domácim odpadom. Recyklujte v zberných miestach na tento účel zriadených. O možnosti recyklácie sa informujte na miestnych úradoch alebo u predajcu.
	Akumulátor Li-Ion. Tento výrobok bol označený symbolom "triedený odpad" pre všetky jednotlivé a zložené akumulátory. Preto musí byť s ohľadom vplyvu na životné prostredie po doslúžení recyklovaný alebo demontovaný. Akumulátory obsahujú nebezpečné látky, preto môžu byť nebezpečné pre životné prostredie a ľudské zdravie.
	Akumulátory sa môžu pri nesprávnom spôsobe likvidácie dostať do systému kolobehu vody, čo môže ohroziť vlastný ekosystém. Doslúžite akumulátory nelikvidujte ako zmesový komunálny odpad.
	Nespaľujte ich.
	Používajte ochranné rukavice

	Pred výmenou príslušenstva zaistíte, aby bola z náradia vybratá batéria.
	Kosenie trávnikov
	Zamknúť
	Odomknúť
	Správne
	Nesprávne

## ZOZNAM SÚČASTÍ

<b>1. AKUMULÁTOR *</b>	145
<b>2. SPÍNAČ ZAPNUTÉ/VYPNUTÉ</b>	
<b>3. HORNÁ TYČ</b>	
<b>4. SKRUTKA NASTAVITELNEJ RUKOVÁTE</b>	
<b>5. SPOJKA SPODNEJ TYČE</b>	
<b>6. BEZPEČNOSTNÝ KRYT</b>	
<b>7. TLAČIDLO NA POSUV STRUNY</b>	
<b>8. SKRACOVACÍ NŮŽ STRUNY</b>	
<b>9. PRÍDAVNÁ RUKOVÄŤ</b>	
<b>10. POISTNÉ TLAČIDLO</b>	
<b>11. INDIKÁTOR NABITIA BATÉRIE</b>	
<b>12. HLAVA KOSAČKY (POZRITE OBR.I)</b>	
<b>13. UZÁVER CIEVKY (POZRITE OBR. J)</b>	
<b>14. ZÁPADKA NA UVOĽNENIE KRYTU ( POZRITE OBR.J)</b>	
<b>15. CIEVKA (POZRITE OBR.J)</b>	
<b>16. OČKO (POZRITE OBR.J)</b>	

\* Nie všetko zobrazené alebo popisované

príslušenstvo je súčasťou štandardnej dodávky.

## TECHNICKÉ ÚDAJE

Typ **WG183E WG183E.9** (1 - označenie stroja, predstavuje akumulátorový vyžinač trávy)

	WG183E	WG183E.9
Napätie	40 V $\overline{\text{---}}$ MAX (2x20 V MAX) **	
Otáčky naprázdno	6800 /min	
Šírka záberu	33 cm	
Priemer struny	1.65 mm	
Čas nabíjania	5 m (Dvojitý výstup)	
Typ akumulátora	Li-Ion	/
Model akumulátora	WA3551.1(2.0 Ah)	/
Model nabíjačky	WA3772	/
Parametre nabíjačky	Príkon: 100-240 V~50/60 Hz, 50 W Vstup 1: 20 V $\overline{\text{---}}$ , 2.0 A*** Vstup 2: 20 V $\overline{\text{---}}$ , 2.0 A***	/
Čas nabíjania (Približne.) Akumulátor: 2.0 Ah (1 pc) 2.0 Ah (2 pcs)	65 mins 130 mins	/
Hmotnosť stroja	2.9 kg	2.2 kg

\*\* Napätie merané bez pracovného zaťaženia. Pôvodné napätie batérie dosahuje maximálne 20 V. Menovité napätie je 18 V.

\*\*\* Nabíjací výstup 1 a výstup 2 označuje u nabíjačky dva porty s rovnakým napätím a prúdom.

## PRÍSLUŠENSTVO

	WG183E	WG183E.9
Akumulátor (WA3551.1)	2	/
Nabíjačka (WA3772)	1	/
Cievka (WA0007)	1	1
Uzáver cievky (WA0216)	1	1
Bezpečnostný kryt	1	1
Prídavná rukoväť	1	1

Odporúčame Vám, aby ste si zakúpili príslušenstvo v rovnakej predajni, v akej ste zakúpili aj vaše náradie. Ďalšie podrobnosti nájdete na obale príslušenstva. Pomoc a užitočné rady vám môže poskytnúť predajca náradia.

## INFORMÁCIE O HLUKU

Meraný akustický tlak	$L_{pA} = 75.8 \text{ dB(A)}$
$K_{pA}$	3.0 dB(A)
Meraný akustický výkon	$L_{wA} = 90.2 \text{ dB(A)}$
$K_{wA}$	3.0 dB(A)

Používajte ochranu sluchu.



## INFORMÁCIE O VIBRÁCIÁCH

Typická nameraná hodnota vibrácií	$a_h < 2.5 \text{ m/s}^2$
Nepresnosť	$K = 1.5 \text{ m/s}^2$

Deklarovaná celková hodnota vibrácií sa môže použiť na vzájomné porovnanie jednotlivých náradí a takisto aj na predbežné stanovenie času práce.

**! VÝSTRAHA:** Hodnota emisie vibrácií počas skutočného používania elektrického náradia sa môže odlišovať od deklarovanej hodnoty, a to v závislosti od spôsobu používania náradia a v závislosti od nasledujúcich príkladov odchýlok od spôsobu používania náradia:

Akým spôsobom sa náradie používa a aké materiály budú rezané alebo vŕtané.

Náradie je v dobrom stave a je dobre udržiavané.

Používanie správneho príslušenstva v spojení s náradím a zabezpečenie jeho ostroti a dobrého stavu.

Tešnosť zovretia rukovätí a používanie doplnkov proti vibráciám.


Používanie náradia na podľa konštrukcie určený účel a v súlade s pokynmi.

**Toto náradie môže vyvolávať syndróm trasenia rúk a ramien, pokiaľ jeho používanie nie je správnym spôsobom riadené.**

**! VÝSTRAHA:** Kvôli presnosti by mal odhad úrovne expozície v skutočných podmienkach používania obsahovať tiež všetky súčasti prevádzkového cyklu, ako sú doby, počas ktorých je náradie vypnuté a počas ktorých beží na voľnobehu, a to mimo skutočného vykonávania práce. Tým môže dôjsť k značnému zníženiu úrovne expozície počas celkového prevádzkového času. Pomôžte minimalizovať riziko expozície účinkom vibrácií. **VŽDY** používajte ostré sekáče a čepele. Náradie udržiavajte v súlade s týmto návodom a udržiavajte ho dobre namazané (ak je to potrebné). Ak sa náradie používa často, investujte do príslušenstva zabraňujúceho vibráciám. Prácu si naplánujte tak, aby ste akékoľvek používanie

náradia pri vysokých vibráciách rozdelili na niekoľko dní.

## MONTÁŽ A OBSLUHA

VYKONÁVANÝ ÚKON	OBR.
<b>ZOSTAVENIE</b>	
Montáž vyžínacieho hriadeľa	Pozrite Obr. A
Montáž pomocnej rukoväte	Pozrite Obr. B
Zostavenie Bezpečnostného Krytu	Pozrite Obr. C
Vloženie A Vybratie Batérie <b>POZNÁMKA:</b> • Táto kosačka bude schopná prevádzky iba s 2 vloženými akumulátormi. Používajte vždy dva zhodné typy akumulátorov a nabíjajte ich súčasne. • Ak používate dva akumulátory s rôznym výkonom, zariadenie beží len s nižším spoločným výkonom oboch akumulátorov.	Pozrite Obr. D1,D2
Nabíjanie batérie <b>POZNÁMKA:</b> • Táto batéria sa dodáva ako nenabitá. Pred prvým kosením trávnikára musí byť batéria celkom nabitá. • Oba akumulátory nabíjajte na plnú kapacitu vždy súčasne. Podrobné údaje nájdete v príručke k nabíjačke.	Pozrite Obr. D3
Indikátor stavu nabitia batérie na kosačke Podrobné informácie nájdete v časti STAV NABITIA AKUMULÁTORA	Pozrite Obr. D4
<b>NÁVOD NA POUŽITIE</b>	
Spínač Zapnuté/Vypnuté  <b>VAROVANIE!</b> Hlava kosačky pokračuje v otáčaní ešte chvíľu po zastavení kosačky. Počkajte preto, pokým nedôjde k úplnému zastaveniu kosačky, a potom ju odložte.	Pozrite Obr. E
Kosenie trávnikára	Pozrite Obr. F
- Nastavenie Prídavnej Rukoväti	Pozrite Obr. G
Ručný posuv struny	Pozrite Obr. H
Zloženie krytky	Pozrite Obr. I
Hlava kosačky	Pozrite Obr. J
Výmena cievky so strunou	Pozrite Obr. K,L

Ručné vysunutie struny

Pozrite Obr. M, N,O,P

### ALTERNÁTOR - STAVOVÉ LED KONTROLKY (Pozrite Obr. D4)

Pred spustením alebo po použití stlačte tlačidlo umiestnené na pristroji vedľa kontrolky napájania, aby ste skontrolovali kapacitu akumulátora. Počas prevádzky je kapacita akumulátora automaticky zobrazená na indikátore výkonu akumulátora.


Indikátor neustále sníma a zobrazuje stav akumulátora nasledujúcim spôsobom.

Pri zariadeniach s 2 akumulátory s rôznym výkonom indikuje kontrolka napájania stav spodného akumulátora.

Indikátor stavu nabitia akumulátora	Stav akumulátora
Svieti päť zelených kontroliek (■ ■ ■ ■ ■).	Dva akumulátory sú úplne nabité.
Svietia dve, tri alebo štyri zelené kontrolky.	Dva akumulátory sú ešte čiastočne nabité. Čím viac zelených kontroliek svieti, tým je vyššia zostávajúca kapacita nabitia.
Svieti iba jedna zelená kontrolka (■ □ □ □ □).	Najmenej jeden akumulátor je úplne vybitý a je nutné ho znovu nabiť.
Nesvieti žiadna kontrolka.	Najmenej jeden akumulátor nie je úplne nasadený, alebo je chybný.
Bliká iba jedna kontrolka dvakrát za sebou.	Najmenej jeden akumulátor je takmer vybitý (pozri indikátor stavu nabitia akumulátora). Pred opätovným použitím, alebo pred uskladnením nabite súčasne oba akumulátory.
Bliká iba jedna kontrolka trikrát za sebou.	Najmenej jeden akumulátor je príliš zahriaty. Pred opätovným spustením zariadenia počkajte, až vychladne.
Bliká iba jedna kontrolka štyrikrát za sebou.	Náradie je preťažené. Odstráňte náradie z oblasti rezu a skúste to znova.

147

## POKYNY NA OBSLUHU

 **VAROVANIE!** Nabíjačka a batérie sú špeciálne určené na to, aby pracovali dohromady, a preto sa nepokúšajte o ich použitie s inými výrobkami. Nikdy nevkladajte kovové predmety do nabíjačky alebo na kontakty batérie, pretože by došlo k poškodeniu zariadenia alebo úrazu elektrickým prúdom.

### 1. Systém automatického posuvu struny

Pri prvom zapnutí strunovej kosačky sa vysunie krátky kúsok struny.

Na krátku dobu bude počuť zvuk 'kľapanie'. Je to úplne normálny jav a je to spôsobené tým, že je struna prerezaná skrakovacím nožom na strunu. Hneď ako bude struna skrátaná na správnu dĺžku, zvuk 'kľapanie' prestane a motor kosačky sa rozbehne na maximálne otáčky. Pri ďalšom vystrčení struny je treba najskôr úplne zastaviť kosačku; musí byť úplne zastavená, potom ju znovu zapnite a nechajte motor dosiahnuť plné otáčky. Vyššie uvedený postup zopakujte, kým nezačujete, že sa struna zachytila o rezačku struny. (Tento postup opakujte maximálne 6 krát)

### 2. Ručné posúvanie struny (Pozrite obr. H)

Stlačte a uvoľnite tlačidlo pre ručný posuv struny a súčasne opatrne vyťahujte struny tak, aby vyčnievali až ku nožu na skrakovanie.

Potom, ako sa struna vytiahne na požadovanú dĺžku, opatrne vyťahnite druhú strunu (v tomto prípade nie je nutné opätovné stlačenie tlačidla pre ručný posuv struny). Ak struna presahuje cez skrakovací nôž struny, bola vyťahnutá príliš dlhá. Ak je vyťahnutá príliš dlhá, dajte dolu uzáver cievky a cievku otáčajte proti smeru chodu hodinových ručičiek, kým bude struna vyťahnutá len na požadovanú dĺžku.

### Zloženie krytky (Pozrite obr. I)

Stlačte a pridržte dve západky. Krytku ľahom vyťahnite z držiaka na cievku von. Krytku a držiak na cievku udržiajte v čistote. Krytku nasadíte naspäť tak, že ju pevne priláčite smerom k držiaku na cievku. Skontrolujte, či je správne nasadená tak, že sa ju pokúsite dať dolu bez stlačenia oboch západiek.

### Výmena cievky so strunou (Pozrite obr. K, L)

Najskôr odnímate uzáver a odstráňte prázdnu cievku. Do reznej hlavy vložte novú cievku so strunou. Pretiahnite okom jednu strunu, potom pretiahnite druhú strunu. (Pozrite obr. L). Strunu uvoľníte z prichytky na cievke. Nasadte späť krytku.

**VAROVANIE!** Vaša kosačka je skonštruovaná na použitie struny s maximálnym priemerom 1,65 mm. Používajte výhradne nylónovú strunu.

**DŮLEŽITÉ** – Strunu vždy najskôr navíjajte do hornej časti cievky.

### 3. Ručné vysunutie struny (Pozrite obr. M, N, O, P)

Odvíňte približne 5 m struny a zastrčte 15 mm struny do jedného z otvorov v hornej časti cievky. Strunu navíjajte v smere šípk na hornej strane cievky. Nechajte približne 100 mm struny nenavínutej a zaistite ju v prichytku. Postup zopakujte pre spodnú časť cievky. Je treba dať pozor na to, aby bola struna na cievke navinutá uhladne. V opačnom prípade bude zhoršená

účinnosť jej automatického posuvu. Potom vložte cievku spôsobom popísaným vyššie "Výmena cievky so strunou".

## SKLADOVANIE VAŠEJ STRUNOVEJ KOSAČKY



**Po použití vždy odpojte od strunovej kosačky batériu.**

### Uloženie STRUNOVEJ kosačky

Kosačka je vybavená závesnou štrbinou na zavesenie na stenu. (Pozrite Obr. Q)

Skladujte na suchom mieste, kde budú kosačka aj akumulátor chránené pred poškodením.

## ÚDRŽBA



**Po použití vždy odpojte od strunovej kosačky batériu.**

**Pred použitím strunovej kosačky vždy skontrolujte, či nie je poškodená.**

Pred vykonaním akéhokoľvek nastavovania, opráv a údržby odpojte brúsku od siete.

Vaše elektrické náradie nevyžaduje žiadne doplnkové mazanie alebo údržbu. Vo vašom náradí nie sú žiadne diely, ktorých opravu by mohol vykonávať používateľ. Nikdy nepoužívajte pri čistení vášho elektrického náradia vodu alebo chemické čistiace prostriedky. Utrite a očistite náradie suchou handričkou. Vždy ukladajte toto elektrické náradie na suchom mieste. Udržujte v čistote vetracie otvory motora. Udržujte v čistote všetky ovládacie prvky.

## OCHRANA ŽIVOTNÉHO PROSTREDIA



Elektrické výrobky sa nesmú likvidovať spolu s domácim odpadom. Recyklujte v zberných miestach na tento účel zriadených. O možnosti recyklácie sa informujte na miestnych úradoch alebo u predajcu.

## ODSTRAŇOVANIE PROBLÉMOV

V nasledujúcej tabuľke sú uvedené kontroly a činnosti, ktoré môžete vykonať, ak vaše zariadenie správne nefunguje.



**UPOZORNENIE:** Pred riešením akéhokoľvek problému vypnite zariadenie a odpojte batériu.

Symptóm	Možné príčiny	Nápravné činnosti
Strunová kosačka nepracuje.	Batéria je vybitá. Batéria je príliš horúca/studená. Motor je chybný. Vnútorne vodiče sú poškodené.	Nabite batériu. Takisto sa pozrite do príručky k nabíjačke batérie. Počkajte, až batéria vychladne/zahreje ju. Obráťte sa na servisného zástupcu. Obráťte sa na servisného zástupcu.

Chod strunovej kosačky je prerušovaný.	Motor je chybný. Batéria nie je plne nabitá. Spínač je chybný.	Obráťte sa na servisného zástupcu. Nabite batériu. Obráťte sa na servisného zástupcu.
Nadmerné vibrácie/hluk.	Strunová kosačka je poškodená. Struna nie je správne navinutá.	Obráťte sa na servisného zástupcu. Znovu naviňte strunu. Pozrite časť „Ručné vysunutie struny“.
Čas prevádzky na batériu je príliš krátky.	Batéria sa dlhší čas nepoužívala alebo sa nabíjala len krátko. Tráva je príliš vysoká. Batéria je chybná.	Plne nabite batériu. Takisto sa pozrite do príručky k nabíjačke batérie. Koste postupne. Vymeňte batériu.
Zariadenie nekosi.	Struna je pretrhnutá. Batéria nie je plne nabitá.  Motor je chybný (rýchlosť je príliš nízka). V oblasti strunovej hlavy sa zachytila tráva.	Vymeňte strunu. Nabite batériu. Takisto sa pozrite do príručky k nabíjačke batérie. Obráťte sa na servisného zástupcu.  Odstráňte trávu.
Trvalo svieti indikátor nabíjania batérie. Nabíjanie nie je možné vykonať.	Batéria nie je (správne) pripojená. Kontakty batérie sú znečistené.  Batéria je chybná.	Vložte batériu do nabíjačky správne. Očistite kontakty batérie (napr. opakovaným pripojením a odpojením batérie) alebo batériu vymeňte. Vymeňte batériu.
Indikátor nabíjania batérie nesvieti.	Zástrčka nabíjačky batérie nie je (správne) pripojená. Sieťová zásuvka, napájací kábel alebo nabíjačka batérie je chybná.	Pripojte zástrčku do sieťovej zásuvky (až na doraz). Skontrolujte sieťové napätie. Nechajte nabíjačku batérie skontrolovať autorizovaným servisným zástupcom.
Automatický posun struny nepracuje.	Žacia struna nie je správne navinutá. Struna je zamotaná.  Struna je vypotrebovaná.	Ručne mierne vytiahnite strunu. Ak strunu nie je možné vysunúť, vyberte cievku a naviňte strunu. Vymeňte cievku za novú.

## VYHLÁSENIE O ZHODE

My,  
Positec Germany GmbH  
Grüner Weg 10, 50825 Cologne, Germany

Vyhlasujeme, že tento výrobok  
Popis **Akumulátorový vyžinač trávy**  
Typ **WG183E WG183E.9 (1 - označenie stroja, predstavuje akumulátorový vyžinač trávy)**  
Funkcie **Kosenie trávnikov a iných podobných mäkkých rastlín a úpravy okrajov trávnikov**

Zodpovedá nasledujúcim smerniciam:  
**2006/42/EC, 2014/30/EU, 2011/65/EU&(EU)2015/863, 2000/14/EC v novelizácii 2005/88/EC**

2000/14/EC v novelizácii 2005/88/EC:  
- Postup vyhodnotenia zhody podľa **Dodatku VI**  
- Meraný akustický výkon **90.2 dB (A)**  
- Deklarovaný zaručený akustický výkon **94 dB (A)**

Overený úradný organ  
**Názov: ISET S.r.l. Unipersonale**  
**Adresa: Sede Legale e Uffici Via Donatori di sangue,9 – 46024 Moglia (MN)**

Spĺňa posudzované normy,  
**EN 60335-1, EN 50636-2-91, EN 62233, EN ISO 3744, EN 55014-1, EN 55014-2**

Osoba oprávnená za zostavenie technického súboru,  
**Názov Marcel Filz**  
**Adresa Positec Germany GmbH**  
**Grüner Weg 10, 50825 Cologne, Germany**




2020/07/28  
Allen Ding  
Zástupca vrchnej konštruktívnej kancelárie,  
Testovanie & Certifikácia  
Positec Technology (China) Co., Ltd  
18, Dongwang Road, Suzhou Industrial  
Park, Jiangsu 215123, P. R. China

## **VARNOST IZDELKA**

### **SPLOŠNA VARNOSTNA**

### **NAVODILA**



#### **OPOZORILO Preberite vs a varnostna opozorila**

**in navodila.** Neupoštevanje opozoril in navodil lahko privede do električnega udara in/ali resnih poškodb.

#### **Vsa opozorila in navodila si shranite za kasnejšo uporabo.**

Napravo lahko uporabljate le, če imate na voljo tudi enoto za napajanje.

### **POMEMBNO**

### **PRED UPORABO OBVEZNO**

### **PREBERITE**

### **SHRANITE ZA KASNEJŠO**

### **UPORABO**

#### **Varna uporaba**

##### **1. Usposabljanje**

- Pazljivo preberite navodila. Pred uporabo naprave se temeljito seznanite s pravili za njeno pravilno uporabo;
- Nikoli ne dovolite, da bi osebe, ki niso ustrezno seznanjene s temi navodili ali otroci uporabljali to napravo. Lokalni predpisi lahko tudi predpisujejo starost uporabnika naprave;
- Za nezgode ali škodo,

povzročeno na drugih osebah ali njihovi lastnini, je odgovoren uporabnik ali lastnik.

##### **2. Priprava**

- Pred uporabo vedno vizualno preglejte napravo glede poškodb ter manjkajočih ali neustrezno nameščenih varoval in zaščit.
- Nikoli ne uporabljajte kosilnice z nitjo, ko se v neposredni bližini nahajajo osebe, še posebej otroci ali domače živali.

##### **3. Uporaba**

- Med uporabo naprave uporabljajte zaščito za oči, oblečene imejte dolge hlače in obute čvrste čevlje z neodrsečim podplatom.
- Pri slabih vremenskih pogojih, še posebej pri bližajoči nevihti, kosilnice z nitjo ne smete uporabljati.
- Travo strizite samo pri dnevni svetlobi ali dobri umetni osvetlitvi.
- Nikoli ne uporabljajte kosilnice z nitjo z manjkajočimi ali poškodovanimi pokrovi ali zaščitnimi pripravami ali če slednji niso pravilno nameščeni.
- Vrtno orodje vklopite samo,

če se vaše roke in noge nahajajo v zadostni razdalji k rezilnim nožem.

- f) Napravo odklopite z vira napajanja (odstranite akumulator iz ležišča)
- 1) vedno, ko pustite vrtno orodje nekaj časa brez nadzora
- 2) pred odstranjevanjem zagozdenega dela;
- 3) pred preverjanjem, čiščenjem ali delom na napravi;
- 4) če ste z njo trčili ob oviro;
- 5) kadar začne slednja neobičajno vibrirati.
- g) Pazite, da si z rezili ne poškodujete stopal ali dlani.
- h) Vedno poskrbite, da v prezračevalnih režah ne bo ostankov trave.
- i) Nikoli ne uporabljajte kovinskih rezilnih elementov z nitjo.
- j) Poskrbite, da boste vedno obuti tako, da boste med delom imeli stabilen položaj tudi na klančinah.
- k) med uporabo naprave hodite, nikoli ne tecite;
- l) Stojite trdno na tleh in vselej bodite v ravnotežju. Ne preobremenjujte se.
- m) Pred odstranitvijo akumulatorja iz ležišča ter preden se premikajoči se deli naprave popolnoma zaustavijo, se slednjih ne

dotikajte.

#### **4. Vzdrževanje in shranjevanje**

- a) Pred vsakim vzdrževanjem ali čiščenjem, napravo odklopite z vira napajanja (akumulator odstranite iz ležišča).
- b) Nikoli ne uporabljajte nadomestnih delov ali dodatkov, ki jih ni priporočil proizvajalec.
- c) Napravo redno vzdržujte in pregledujte. Pustite, da se kosilnica z nitjo popravlja izključno v pooblaščenih servisnih delavnicah.
- d) Kadar ni v uporabi, jo hranite izven dosega otrok.

#### **BATERIJSKA VARNOST VARNOSTNA OPOZORILA ZA AKUMULATOR**

- a) Ne razstavljajte, odpirajte ali odstranjujte celic akumulatorja.**
- b) Pazite, da ne povzročite kratkega stika med terminaloma akumulatorja. Akumulatorjev nikoli ne shranjujte v škatli ali predalu, kjer bi lahko prišlo do kratkega stika zaradi povezave terminalov s prevodnimi**

**predmeti.** Kadar akumulator ni nameščen v napravi, ga hranite proč od drugih kovinskih predmetov, kot so sponke za papir, kovanci, ključi, žebliji, vijaki ali drugi drobni kovinski predmeti, ki bi lahko omogočili stik med terminaloma. Če pride do stika med terminaloma akumulatorja, to lahko povzroči požar.

- c) Akumulatorja ne izpostavljajte vročini ali ognju. Poskrbite, da ne bo izpostavljen neposredni sončni svetlobi.**
- d) Akumulatorja ne izpostavljajte mehanskim udarcem.**
- e) Če opazite, da akumulator pušča, pazite, da tekočina ne bo prišla v stik z očmi. Če akumulatorska tekočina vseeno pride v stik z očmi, izperite prizadeto območje z obilo vode in poiščite zdravniško pomoč.**
- f) Predvsem pa takoj poiščite medicinsko pomoč, če ste celico ali del akumulatorja zaužili.**
- g) Akumulator shranjujte na čistem in suhem mestu.**
- h) Če se akumulator zamaže,**

**ga takoj očistite s čisto in suho krpo.**


- i) Akumulator morate pred uporabo napolniti. Pri polnjenju akumulatorja vedno upoštevajte predpisana navodila in postopke.**
- j) Če akumulatorja ne polnite, ga odstranite iz polnilca.**
- k) Po daljšem obdobju skladiščenja, boste za dosego maksimalne zmogljivosti akumulatorja verjetno morali slednjega nekajkrat napolniti in izprazniti.**
- l) Akumulator deluje najbolj učinkovito, če ga uporabljate pri običajni sobni temperaturi ( $20^{\circ}\text{C} \pm 5^{\circ}\text{C}$ ).**
- m) Pri odlaganju akumulatorja pazite, da boste akumulatorje, ki imajo različne elektrokemične sisteme zavrgli ločeno.**
- n) Za polnjenje uporabljajte le polnilce, ki jih je predpisal Worx. Nikoli ne uporabljajte polnilnikov, ki niso posebej namenjeni za polnjenje vašega akumulatorja. Polnilec, ki je lahko primeren za polnjenje**




ene vrste akumulatorjev, lahko pri drugi povzroči nevarnost požara.

- o) Nikoli ne uporabljajte polnilcev, ki niso posebej zasnovani za polnjenje vašega akumulatorja.**
- p) Akumulatorje shranjujte izven dosega otrok.**
- q) Za podrobnosti, si oglejte gradivo, ki je bilo priloženo akumulatorju.**
- r) Če naprave ne uporabljate, iz nje odstranite akumulator.**
- s) Akumulatorje odlagajte skladno s predpisi..**
- t) V napravi ne uporabljajte celic različnih proizvajalcev, zmogljivosti, velikosti ali tipa.**
- u) Akumulator odstranite iz originalne embalaže šele, ko ga boste potrebovali.**
- v) Upoštevajte znaka plus (+) in minus (-) na akumulatorju ter poskrbite za njegovo pravilno uporabo.**

## SIMBOLI

	Preberite priročnik z navodili
---	--------------------------------

	Prisotni naj bodo varno oddaljeni
	Uporabljajte zaščito za oči in ušesa
	Ne izpostavljajte dežju
	Odpadnih električnih naprav ne smete zavreči skupaj z ostalimi gospodinjstvi odpadki. Dostavite jih na mesto za ločeno zbiranje odpadkov. Glede podrobnosti, se posvetujte z lokalno službo za ravnanje z odpadki.
	Baterije Li-Ion Ta izdelek je označen s simbolom, ki se nanaša na 'ločeno zbiranje' za vse baterijske napajalnike in baterijski napajalnik. Nato bodo reciklirane ali razstavljene, da se zmanjša škodljiv vpliv na okolje. Baterijski napajalniki vsebujejo nevarne snovi in so zato lahko nevarni za okolje in za zdravje ljudi.
	Če se baterije nepravilno odlaga, lahko vstopijo v vodni cikel, kar pa je lahko nevarno za ekosistem. Odpadnih baterij ne odlagajte v nesortirane komulane odpadke.
	Prepovedano sežiganje.
	Nosite zaščitne rokavice.
	Poskrbite, da boste pred menjavanjem dodatkov odstranili akumulator.
	Rezanje

	Zaklenjeno
	Odklenjeno
	Pravilno
	Nepravilno



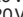
## SESTAVNI DELI

1. **AKUMULATOR \***
2. **STIKALO ZA VKLOP/IZKLOP**
3. **ZGORNJI DEL ROČAJA**
4. **GUMB ZA PRILAGAJANJE ROČAJA**
5. **SPAJANJE SPODNJEGA DELA ROČAJA**
6. **VAROVALO**
7. **GUMB ZA ROČNO PODOJANJE NITKE**
8. **REZILO NITKE**
9. **POMOŽNI ROČAJ**
10. **GUMB ZA SPROSTITEV**
11. **INDIKATOR NAPOLNJENOSTI AKUMULATORJA**
12. **REZALNA GLAVA (GLEJTE SLIKO I)**
13. **POKROV VRETENA (GLEJTE SLIKO J)**
14. **ROČICA ZA SPROSTITEV POKROVA (GLEJTE SLIKO J)**
15. **VRETENO (GLEJTE SLIKO J)**
16. **LUKNJA VRVICE (GLEJTE SLIKO J)**

\* Pri standardni dobavi niso vključeni vsi prikazani dodatki.

## TEHNIČNI PODATKI

Tip **WG183E WG183E.9** (1-poimenovanje strojev, predstavnik brezžičnega rezalnika za travo)

	WG183E	WG183E.9
Napetost	40 V  MAX (2x20 V MAX) **	
Št. vrt. brez obremenitve	6800 /min	
Premer rezanja	33 cm	
Premer nitke	1.65 mm	
Teža orodja:	5 m (Dvojni izhod)	
Vrsta akumulatorja	Litijev	/
Model akumulatorja	WA3551.1(2.0 Ah)	/
Model polnilca	WA3772	/
Napetost polnilca	Vhod: 100-240 V~50/60 Hz, 50 W Izhod 1: 20 V  , 2.0 A*** Izhod 2: 20 V  , 2.0 A***	
Čas polnjenja (Približno) Akumulator: 2.0 Ah (1 pc) 2.0 Ah (2 pcs)	65 mins 130 mins	
Teža orodja	2.9 kg	2.2 kg

\*\*Napetost merjena brez obremenitve. Začetna napetost akumulatorja doseže maksimum 20 V. Običajna napetost je 18 V.

\*\*\* Izhoda za polnilnik 1 in 2 imata oba enako izhodno napetost in tok.

## DODATKI

	WG183E	WG183E.9
Akumulator (WA3551.1)	2	/
Polnilec (WA3772)	1	/
Vreteno (WA0007)	1	1
Pokrov vretena (WA0216)	1	1
Varovalo	1	1
Pomožni ročaj	1	1

Priporočamo vam, da dodatke vedno kupujete v isti trgovini, kot ste kupili napravo. Za podrobnosti si oglejte razlago na embalaži kompleta dodatkov. Pri odločanju o ustreznem dodatku, vam lahko pomaga tudi osebeje v trgovini.

## PODATKI O HRUPU

Vrednotena raven zvočnega tlaka	$L_{pA} = 75.8 \text{ dB(A)}$
$K_{pA}$	3.0 dB(A)
Vrednotena raven zvočne moči	$L_{WA} = 90.2 \text{ dB(A)}$
$K_{WA}$	3.0 dB(A)

Uporabljajte zaščito za ušesa.



## PODATKI O VIBRACIJAH

Tipična vrednotena raven vibracij	$a_h < 2.5 \text{ m/s}^2$
Nezanesljivost meritve	$K = 1.5 \text{ m/s}^2$

Deklarirano vrednost emisije vibracij lahko uporabite za primerjavo med strojčki, hkrati pa s pomočjo nje predvidite pričakovano raven izpostavljenosti.

**⚠ OPOZORILO:** Dejanska vrednost emisije vibracij med uporabo strojčka, se lahko razlikuje od navedene, kajti nanjo vpliva tudi način uporabe strojčka, predvsem naslednje okoliščine:

Način uporabe strojčka in materiali v katere vrtate ali vijačite.

Ali je strojček v dobrem stanju in ustrezno vzdrževan. Uporaba ustreznega dodatka in njegova brezhibnost. Čvrstost oprijema ročajev in morebitna uporaba dodatkov za zmanjševanje vibracij.

Uporaba orodja za predviden namen, skladen s temi navodili.

**Če strojčka ne uporabljate pravilno, lahko povzroči vibracijski sindrom zapestja in rok.**

**⚠ OPOZORILO:** Če želimo resnično natančno oceniti raven izpostavljenosti v dejanskih okoliščinah, moramo upoštevati tudi vse faze delovnega procesa, tudi število vklopov in izklopov strojčka ter čas, ko deluje v prostem teku in neobremenjeno. To lahko znatno zmanjša raven izpostavljenosti tekom celotnega delovnega procesa.

Pomoč pri zmanjševanju tveganja pri izpostavljenosti vibracijam.

VEDNO uporabljajte le ostra dleta, svedre in rezila. Strojček vzdržujte skladno s temi navodili in poskrbite, da bo dobro namazan (kjer je potrebno).

Če boste strojček uporabljali redno, potem investirajte v dodatke za zmanjševanje vibracij.

Delo si organizirajte tako, da boste opravila z visoko ravno vibracij izvajali v več fazah, tekom nekaj dni.

## SESTAVLJANJE IN NAČIN UPORABE

DEJANJE	SLIKA
---------	-------

SESTAVLJANJE	
Sestavljanje držaja rezalnika	Glejte sliko A
Sestavljanje pomožnega ročaja	Glejte sliko B
Sestavljanje Varovala	Glejte sliko C
Odstranjevanje Ali Nameščenje Akumulatorja <b>OPOMBA:</b> • Kosilnica bo delovala le, če bosta v ležišču vstavljeni oba akumulatorja. vedno uporabljajte dva enaka akumulatorja in vedno ju tudi napolnite sočasno. • Če uporabljate dva akumulatorja z različno močjo, se bo naprava napajala samo iz tistega z nižjim skupnim imenovalcem.	Glejte sliko D1,D2
Polnjenje akumulatorja <b>OPOMBA:</b> • Akumulator je ob dobavi prazen. Pred prvo uporabo ga morate zato napolniti. • Akumulatorja, ki ju polnite skupaj, vedno napolnite do konca. Več podrobnosti si lahko ogledate v priložniku za polnilnik.	Glejte sliko D3
Indikator napolnjenosti akumulatorja na napravi Glejte podrobnosti v poglavju STANJE AKUMULATORJA	Glejte sliko D4
<b>NAČIN UPORABE</b>	
Stikalo za vklop/izklop <b>⚠ OPOZORILO!</b> Rezalna glava se tudi po sprostitvi stikala za vklop/izklop nekaj časa vrti; napravo zato odložite šele, ko se rezalna glava popolnoma zaustavi.	Glejte sliko E
Rezanje	Glejte sliko F
- Prilagajanje pomožnega ročaja	Glejte sliko G
Ročno podajanje nitke	Glejte sliko H
Odstranitev pokrovčka	Glejte sliko I
Rezalna glava	Glejte sliko J
Menjava vretena rezalnika	Glejte sliko K,L
Ročno navijanje nitke	Glejte sliko M, N,O,P

### STANJE AKUMULATORJA (Glejte Sliko D4)

Pred zagonom ali po uporabi pritisnite gumb ob indikatorski lučki napajanja na napravi, da preverite zmogljivost akumulatorja. Med uporabo indikator moči akumulatorja samodejno prikazuje zmogljivost akumulatorja.

Indikator stalno preverja in prikazuje stanje akumulatorja tako.

Pri napravah z 2 akumulatorjema z različno močjo indikator napajanja prikazuje stanje akumulatorja z nižjim od dveh akumulatorjev.

Indikator napolnjenosti akumulatorja	Stanje akumulatorja
Sveti pet zelenih lučk (■ ■ ■ ■ ■).	Oba akumulatorja sta popolnoma napolnjena.
Svetita dve, tri ali štiri zelene lučke.	Akumulatorja sta še vedno delno polna. Več lučk sveti, bolj sta akumulatorja napolnjena.
Sveti le ena zelena lučka (■ □ □ □ □).	Vsaj en akumulator je izprazen in ga je potrebno napolniti.
Ne sveti nobena zelena lučka.	Najmanj eden od akumulatorjev ni do konca vstavljen ali je v okvari.
Le ena lučka utripne dvakrat na cikel.	Najmanj eden od akumulatorjev je prekomerno izprazen (preverite stanje akumulatorja), zato oba do konca napolnite in šele nato nadaljujte z delom ali ju shranite.
Le ena lučka utripne trikrat na cikel.	Najmanj eden od akumulatorjev se je pregrel, zato pred nadaljevanjem počakajte, da se ustrezno ohladi.
Le ena lučka utripne štirikrat na cikel.	Naprava je preobremenjena. Odstranite orodje z mesta rezanja in poskusite ponovno.

## NAVODILA ZA UPORABO

**!** **OPOZORILO!** Polnilec in akumulator sta posebej zasnovana za skupno delovanje, zato ne poskušajte uporabljati nobenih drugih polnilcev niti akumulatorjev. V polnilec ali akumulator nikoli ne vstavljajte kovinskih predmetov, ker bi slednji lahko povzročili kratki stik ali druge okvare.

### 1. Sistem za samodejno podajanje nitke

Ob vklopu rezalnika se iz vretena pomakne nekaj nitke. Nekaj časa boste slišali 'opletajoč' zvok. To je običajno, kajti slednji nastaja zaradi rezanja nitke na nožu. Ko je nitka zadosti dolga, 'opletajočega' zvoka ne boste več slišali in motor kosilnice bo začel delovati s polnimi vrtljaji. Napravo izklopite, počakajte, da se rezalna glava zaustavi; po popolni zaustavitvi napravo ponovno zaženite in pustite, da motor začne delovati s polnimi vrtljaji. Zgornji postopek ponavljajte tako dolgo, da boste slišali udarjanje nitke ob rezalnik. (Tega postopka ne ponavljajte več, kot šestkrat)

### 2. Ročno podajanje nitke (Glejte sliko H)

Pritisnite in sprostite gumb za ročno podajanje nitke,

medtem pa pazljivo izvlcite toliko nitke, da bo slednja segala do rezila nitke.

Ko bo izvlčeno zadosti nitke, nežno povlecite za drugo nitko (pri tem ni treba ponovno pritisniti gumba za ročno podajanje nitke). Če bo nitka segala preko rezila, to pomeni, da ste je izvlkli preveč. Odvečni del lahko navijete nazaj tako, da odstranite pokrov rezalne glave ter vreteno obrnete proti levi ter navijete ustrezen del nitke nazaj.

### Odstranitev pokrovčka (Glejte Sliko I)

Pritisnite in zadržite ročici za sprostitev. Odstranite pokrov rezalne glave z rezalne glave. Poskrbite, da na pokrovčku in držalu vretena ne bo nečistoč. Pokrovček odstranite tako, da ga najprej malce pritisnete ob držalo vretena. Pritrditev pokrovčka preverite tako, da ga poskusite odstraniti, brez, da bi pri tem stisnili ročici za sprostitev.

### Menjava vretena rezalnika (Glejte sliko K, L)

Najprej snemite pokrov in odstranite stari motek. V rezalno glavo namestite novo vreteno. Skozi luknjo za nitko vstavite eno konec nitke in ponovite enak postopek še z drugim koncem nitke (Glejte sliko L). Skozi mehanizem za zadrževanje nitke izvlcite nekaj nitke. Pokrovček namestite nazaj.

**!** **OPOZORILO!** Vaš rezalnik je zasnovan le za uporabo nitk, debeline največ 1,65 mm. Uporabljajte le najlonsko nitko.

**POMEMBNO** - Vedno najprej navijete nitko na zgornji del vretena.

### 3. Ročno navijanje nitke (Glejte sliko M, N, O, P)

Izvlcite približno 5 m nitke in je vstavite 15 mm v luknjo na zgornjemu delu vretena. Nitko navijate v smeri, ki jo označujeta puščici na zgornjemu delu vretena.

Pustite približno 100 mm nitke proste in jo vstavite v mehanizem za zadrževanje. Postopek ponovite na spodnjem delu vretena.

Pazljivo preverite, če je nitka lepo navita na vreteno. Če nitka ne bo lepo navita, se bo med delovanjem težje odvijala.

Nato namestite vreteno tako, kot je opisano v poglavju "Menjava vretena nitke".

## SHRANJEVANJE REZALNIKA TRAVE

**!** **Po končani uporabi vedno odstranite akumulator iz ležišča.**

### Shranjevanje OBREZOVALNIKA

Obrezovalnik ima držalo za obešanje na steno. (Glejte Sliko Q)

Shranjujte ga na suhem mestu, kjer je zavarovan pred poškodbami.

## VZDRŽEVANJE

**!** **Po končani uporabi vedno odstranite akumulator iz ležišča.**

**Pred uporabo vedno preverite rezalnik glede poškodb.**

Po vsaki uporabi odstranite akumulator iz ležišča in preverite napravo glede morebitnih poškodb. Vaša naprava ne zahteva dodatnega mazanja. Naprava

tudi nima nobenih delov, ki bi jih morali servisirati. Za čiščenje strojčka nikoli ne uporabljajte vode ali kemičnih sredstev. Obrišite jo le s suho krpo. Napravo vedno shranjujte na suhem mestu. Poskrbite, da bodo prezračevalne odprtine čiste. Vsi elementi krmiljenja morajo biti čisti, brez prahu.

## VAROVANJE OKOLJA



Odpadnih električnih naprav ne smete zavreči skupaj z ostalimi gospodinjstvi odpadki.

Dostavite jih na mesto za ločeno zbiranje odpadkov. Glede podrobnosti, se posvetujte z lokalno službo za ravnanje z odpadki.

## ODPRAVLJANJE NAPAK

V naslednji tabeli so odpisane napake in dejanja s katerimi jih lahko odpravite.



**OPOZORILO:** Pred odpravljanjem napak vedno najprej odstranite akumulator iz ležišča.

Napake	Morebitni vzroki	Dejanje za odpravo
Rezalnik ne deluje.	Akumulator je izprazenjen.  Akumulator je prevroč/premrzel. Motor je v okvari. Napeljava naprave je poškodovana.	Napolnite akumulator; preverite vsebino navodil za polnilnik Pustite, da se akumulator ohladi/ogreje. Posvetujte se s serviserjem. Posvetujte se s serviserjem.
Rezalnik se med delovanjem sunkovito zaganja.	Motor je v okvari. Akumulator ni zadosti napolnjen. Stikalo za vklop/izklop je v okvari.	Posvetujte se s serviserjem. Napolnite akumulator. Posvetujte se s serviserjem.
Naprava oddaja prekomerne vibracije/hrup.	Naprava je v okvari. Vreteno nitke ni pravilno navito.	Posvetujte se s serviserjem. Ponovno navijte nitko na vreteno. Glejte "Ročno navijanje nitke".
Čas rezanja z napolnjenim akumulatorjem je prekratek.	Akumulatorja verjetno niste uporabljali dlje časa, oziroma ste ga polnili premalo časa. Trava je previsoka. Akumulator je v okvari.	Do konca napolnite akumulator; preverite vsebino navodil za polnilnik  Režite v več nivojih. Zamenjajte akumulator.
Naprava ne reže.	Nitka je pretrgana. Akumulator ni zadosti napolnjen.  Motor je v okvari (vrti se počasi). Trava se navija na rezalno glavo.	Zamenjajte nitko. Napolnite akumulator; preverite vsebino navodil za polnilnik Posvetujte se s serviserjem. Odstranite travo.
Zaporedno utripanje indikatorja za polnjenje akumulatorja. Polnjenje ni možno.	Akumulator ni (pravilno) vstavljen. Akumulator zaradi nečistoč nima ustreznega stika.  Akumulator je v okvari.	Akumulator pravilno vstavite v ležišče. Očistite nečistoče ali (npr. z nekajkratno vstavitvijo ali odstranitvijo akumulatorja) zamenjajte akumulator. Zamenjajte akumulator.
Indikator polnjenja akumulatorja se ne vklopi.	Če polnilnik ni (pravilno) priklopljen, ga priklopite. Okvara na vtičnici, napajalnem kablu ali polnilcu akumulatorja.	Napajalni kabel vstavite (do konca) v vtičnico. Preverite napetost napajanja; polnilnik naj pregleda pooblaščen serviser.
Samodejno podajanje ne deluje.	Nitka ni pravilno navita. Nitka je zapletena.  Nitke ni zadosti.	Ročno poskusite izvleči nitko in v kolikor slednje ne morete izvleči, odstranite vreteno iz ohišja ter ponovno navijte nitko. Namestite novo vreteno z nitko.

# IZJAVA O SKLADNOSTI

Mi,  
Positec Germany GmbH  
Grüner Weg 10, 50825 Cologne, Germany

Izjavljamo, da je izdelek,  
Opis **Brezžični rezalnik za travo**  
Vrsta **(1-poimenovanje strojev, predstavnika  
brezžičnega rezalnika za travo)**  
Funkcija **rezanje trave in podobne mehke vegetacije  
ter obrezovanje robov**

skladen z naslednjimi direktivami,  
**2006/42/EC, 2014/30/EU, 2011/65/EU&(EU)2015/863,  
2000/14/EC spremenjena z 2005/88/EC**

2000/14/EC spremenjena z 2005/88/EC:  
- Postopek za ugotavljanje skladnosti, glede na

#### **Dodatek VI**

- Izmerjena raven zvočne moči **90.2 dB (A)**  
- Deklarirana raven zvočne moči **94 dB (A)**

Pristojni priglasitveni organ

**Ime: ISET S.r.l. Unipersonale**  
**Naslov: Sede Legale e Uffici Via Donatori di  
sangue,9 – 46024 Moglia (MN)**

in izpolnjuje naslednje standarde,  
**EN 60335-1, EN 50636-2-91, EN 62233, EN ISO 3744,  
EN 55014-1, EN 55014-2**

158

Oseba, ki je pooblaščenca za skladnost tehnične  
dokumentacije,

**Ime Marcel Filz**  
**Naslov Positec Germany GmbH**  
**Grüner Weg 10, 50825 Cologne, Germany**



2020/07/28

Allen Ding  
Namestnik načelnika inženir,  
Testiranje in certificiranje  
Positec Technology (China) Co., Ltd  
18, Dongwang Road, Suzhou Industrial  
Park, Jiangsu 215123, P. R. China



**WORX**  
**it's your nature**

**[www.worx.com](http://www.worx.com)**

Copyright © 2020, Positec. All Rights Reserved.  
AR01542200