

210 x 210 x 45 cm

82,7" x 82,7" x 17,7"

KIT AUTOFORTE 2104-4



5 years
SIMONRACK
GUARANTEE



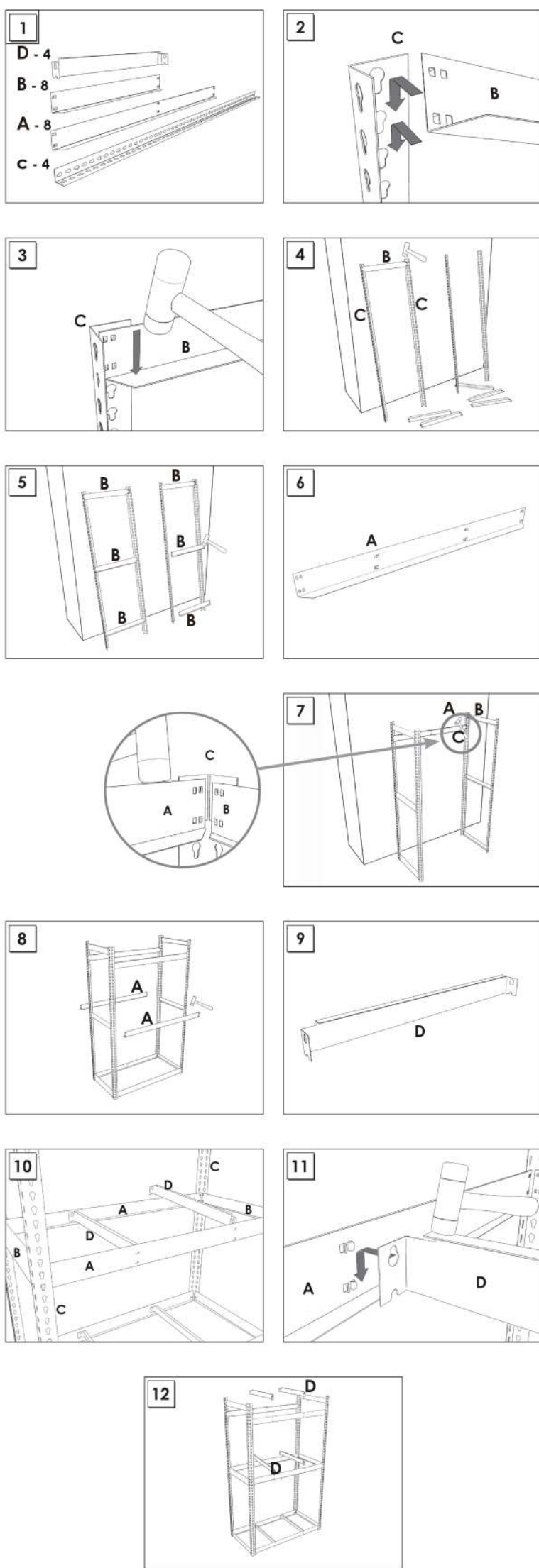
ESTANTERIAS SIMON S.L. B.50.556.463 PG. ALFAMEN C/POLIGONO C, Nº3 ALFAMEN (ZARAGOZA)



www.simonrack.com



INSTRUCTIONS



On-line instructions: www.instructionsrack.com/autoforte

www.simonrack.com • www.simonrack.com • www.simonrack.com • www.simonrack.com

SIMONCLASSIC



Up to: **150 Kg.**
Kg./Shelf
Uniformly Distributed Load



SIMONCLICK



Up to: **400 Kg.**
Kg./Shelf
Uniformly Distributed Load



OFFCLICK



Up to: **200 Kg.**
Kg./Shelf
Uniformly Distributed Load



SIMONTALLER



Up to: **700 Kg.**
Kg./Shelf
Uniformly Distributed Load



BANCOS DE TRABAJO

Up to: **800 Kg.**
Kg./Shelf
Uniformly Distributed Load



ALTILLOS Y PASILLOS ELEVADOS



SIMONHOME

Up to: **150 Kg.**
Kg./Shelf
Uniformly Distributed Load



TAQUILLAS



SIMONINOX

Up to: **900 Kg.**
Kg./Shelf
Uniformly Distributed Load



SIMONTITÁN

Up to: **900 Kg.**
Kg./Shelf
Uniformly Distributed Load



SIMONPALET

Up to: **4500 Kg.**
Kg./Shelf
Uniformly Distributed Load



SIMONLEVER

