

Patent no EP 0527766, GB 2263932 and other Patents pending  
Design Reg. No 000108964 (EU), 77588 (NO)

Telesteps AB  
Box 362  
SE-573 24 TRANÅS  
SWEDEN

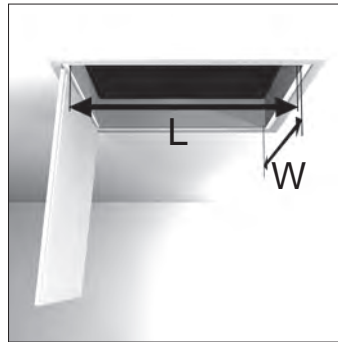
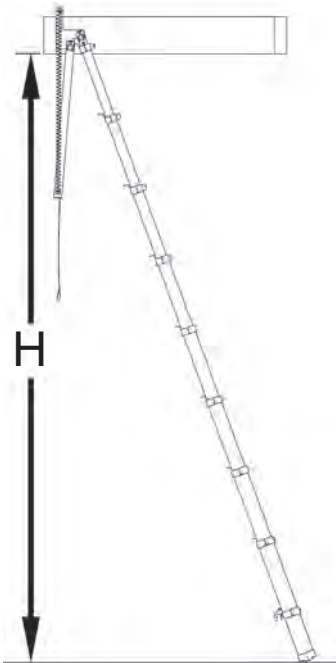
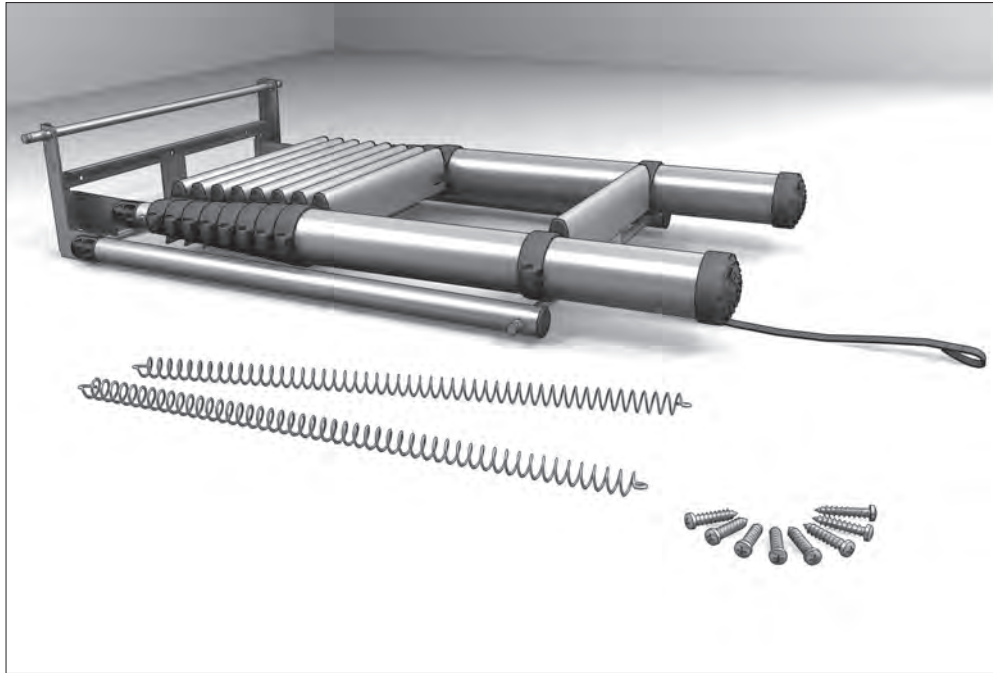
[www.telesteps.com](http://www.telesteps.com)

100-1550-01



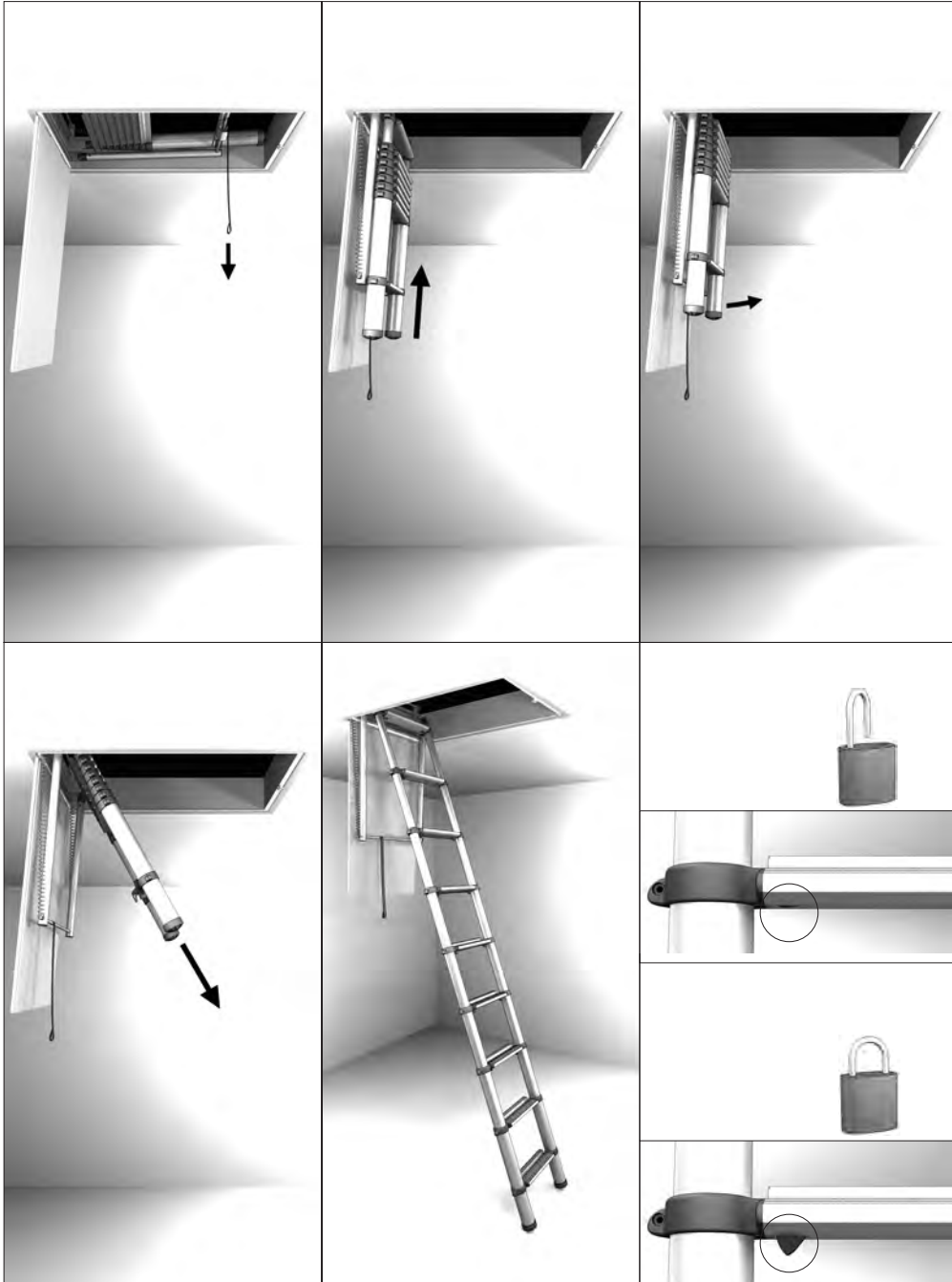
**TELESTEPS**   
**No.1 in telescopic work tools**

Copyright © Telesteps AB 2017

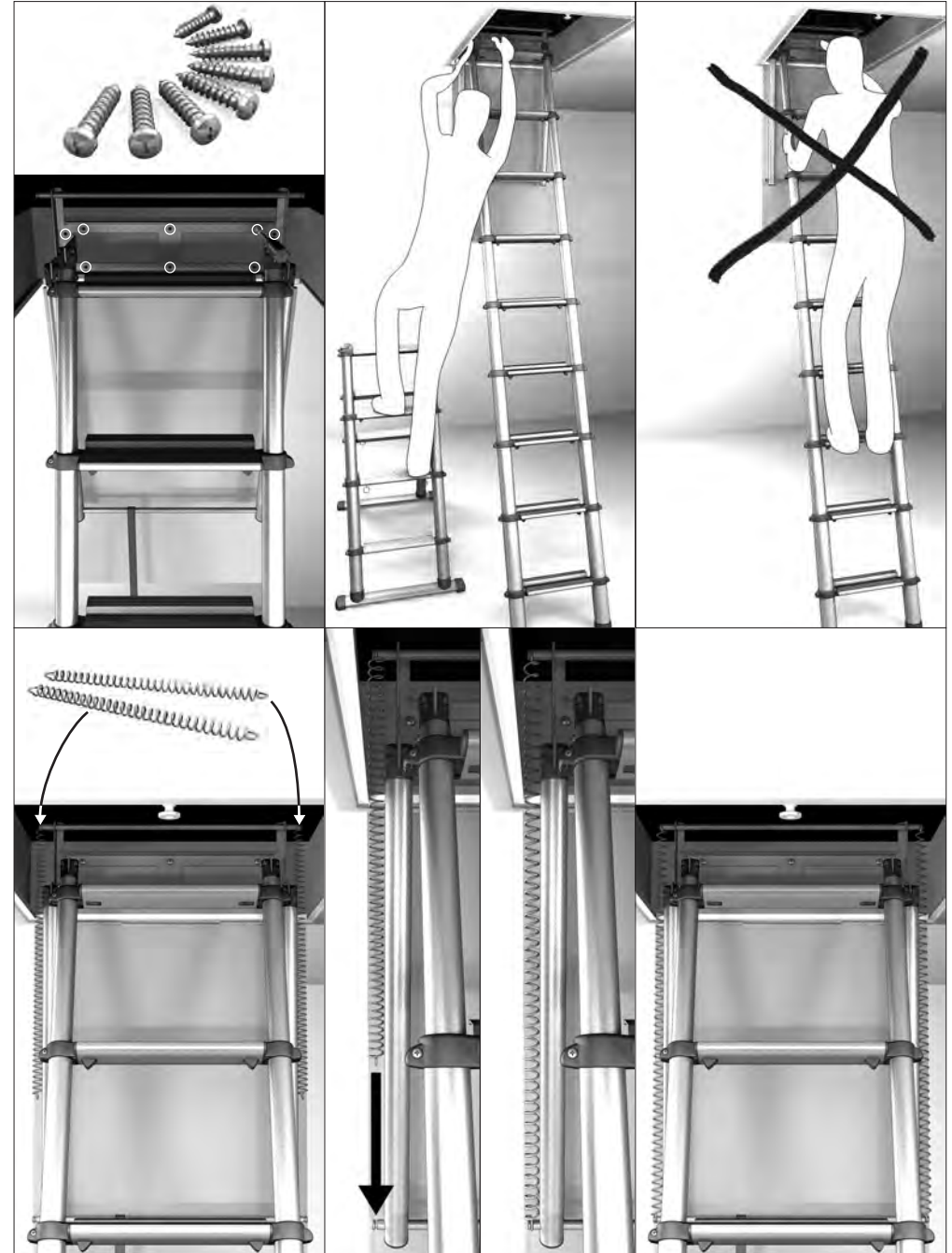


H = 2,52 - 3,00 m  
L = Min 920 - 1 100 mm  
W = Min 520 mm

# Fälla ut / Open



# Montering / Assembly



# Fälla ihop / Close

