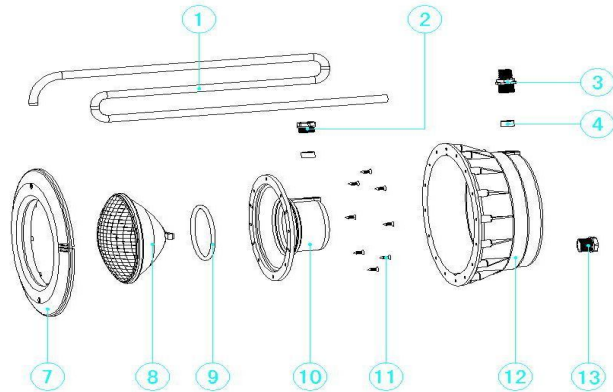


8



Concrete UWL				
Item	code	English Description	Qty	Unit
1	08020101-0010	Electrical cable 2.5M	1	
2	08020101-0004	String hole	1	
3	08020101-0011	Support	1	
4	08020101-0009	Silicon gasket	2	
5	08020101-0007	bolt	2	
7	08020101-0003	Lamp cover lid	1	
8	08020101-0005	Lamp proyector 300w	1	
9	08020101-0008	Rubber "o" ring	1	
10	08020101-0002	Lamp cover	1	
11	08020101-0006	self-tapping screw	8	
12	08020101-0001	Holder	1	
13	08020101-0012	Bung	1	

Connectings

- 1 firstly wear the sealing nut ② in one side of electrical cable ①, then wear the cable in the bottom hole of lamp cover ⑩, tighten the sealing nut ②
- 2 put the sealing O ring ⑨ behind the previous procedure lamp cover ⑩, connect the electrical cable with lamp ⑧, then together put into the lamp cover
- 3 tighten the lamp cover lid ⑦ on the lamp cover ⑩
- 4 make underwater pressure test for the assembled light
- 5 wind the electrical cable ① on the lamp cover ⑩, then together put into the lampholder ⑫